



US00D846920S

(12) **United States Design Patent**
Ryu et al.

(10) **Patent No.:** **US D846,920 S**
(45) **Date of Patent:** **** Apr. 30, 2019**

(54) **COMBINED SHOWCASE WITH MONITOR**

(71) Applicant: **LG ELECTRONICS INC.**, Seoul (KR)

(72) Inventors: **Junghan Ryu**, Seoul (KR); **Hewon Kihl**, Seoul (KR)

(73) Assignee: **LG ELECTRONICS INC.**, Seoul (KR)

(**) Term: **15 Years**

(21) Appl. No.: **35/503,927**

(22) Filed: **May 10, 2017**

(80) **Hague Agreement Data**

Int. Filing Date: **May 10, 2017**

Int. Reg. No.: **DM/096709**

Int. Reg. Date: **May 10, 2017**

Int. Reg. Pub. Date: **Nov. 10, 2017**

(30) **Foreign Application Priority Data**

Nov. 11, 2016 (KR) 30-2016-0054456

(51) **LOC (11) Cl.** **06-04**

(52) **U.S. Cl.**
USPC **D6/673**

(58) **Field of Classification Search**

USPC D6/657, 660, 662, 662.1, 672, 673,
D6/675.1, 678.1, 698, 699

CPC .. A47F 3/00; A47F 3/004; A47F 3/005; A47F
3/0413; A47F 3/0426; A47F 3/0486;
A47F 5/00; A47F 5/0043; A47F 10/00;
G09F 9/00; G09F 13/00; G09F 15/00;
G09F 19/00; G06Q 30/0241

See application file for complete search history.

(56) **References Cited**

U.S. PATENT DOCUMENTS

D166,174 S * 3/1952 Crawford D6/698
D370,574 S * 6/1996 Lechleiter D6/682.2

5,709,441 A * 1/1998 Bartling A47B 87/007
108/180
D438,256 S * 2/2001 Timmermans D20/10
D593,775 S * 6/2009 Singler D6/672
D607,232 S * 1/2010 Bojie D6/672
D725,410 S * 3/2015 Park A47F 5/00
D6/657
D729,548 S * 5/2015 Denby A47F 5/08
D6/672
D758,105 S * 6/2016 Taraczky D6/672
D782,226 S * 3/2017 Zheng D6/672
9,782,018 B2 * 10/2017 Hester-Redmond A47F 5/08
D811,356 S * 2/2018 Won G06Q 30/02
D14/126
2003/0158748 A1 * 8/2003 Lepianka A47F 10/00
705/500
2010/0127604 A1 * 5/2010 Ceballos-Godefroy
A47F 3/004
312/117
2011/0238467 A1 * 9/2011 Duley G06Q 30/02
705/14.4

(Continued)

Primary Examiner — Mary Ann Calabrese

(74) *Attorney, Agent, or Firm* — Birch, Stewart, Kolasch & Birch, LLP

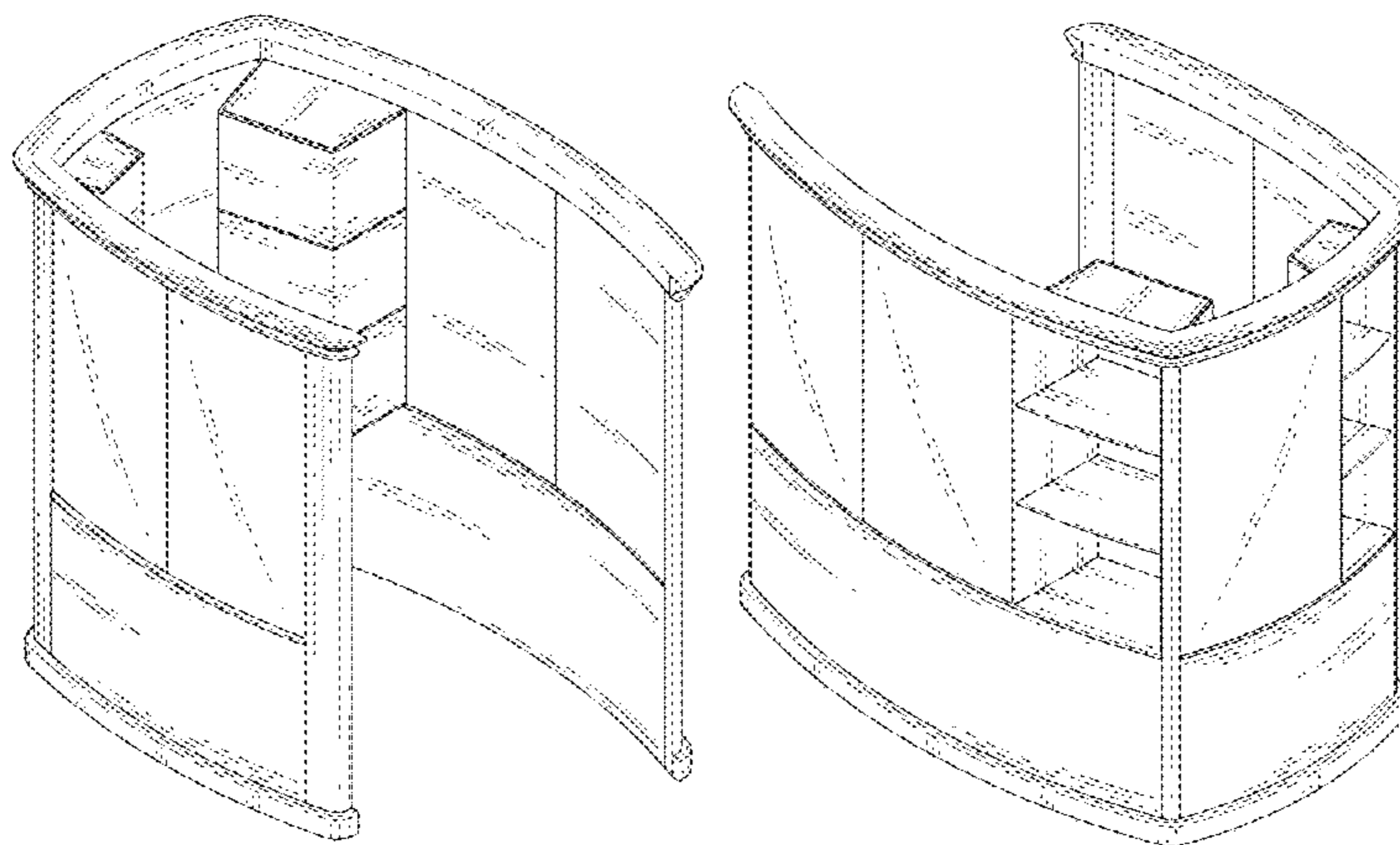
(57) **CLAIM**

The ornamental design for a combined showcase with monitor, as shown and described.

DESCRIPTION

- 1. Combined showcase with monitor
- 1.1 : Perspective
- 1.2 : Rear perspective
- 1.3 : Front
- 1.4 : Back
- 1.5 : Left
- 1.6 : Right
- 1.7 : Top
- 1.8 : Bottom

1 Claim, 8 Drawing Sheets



(56)

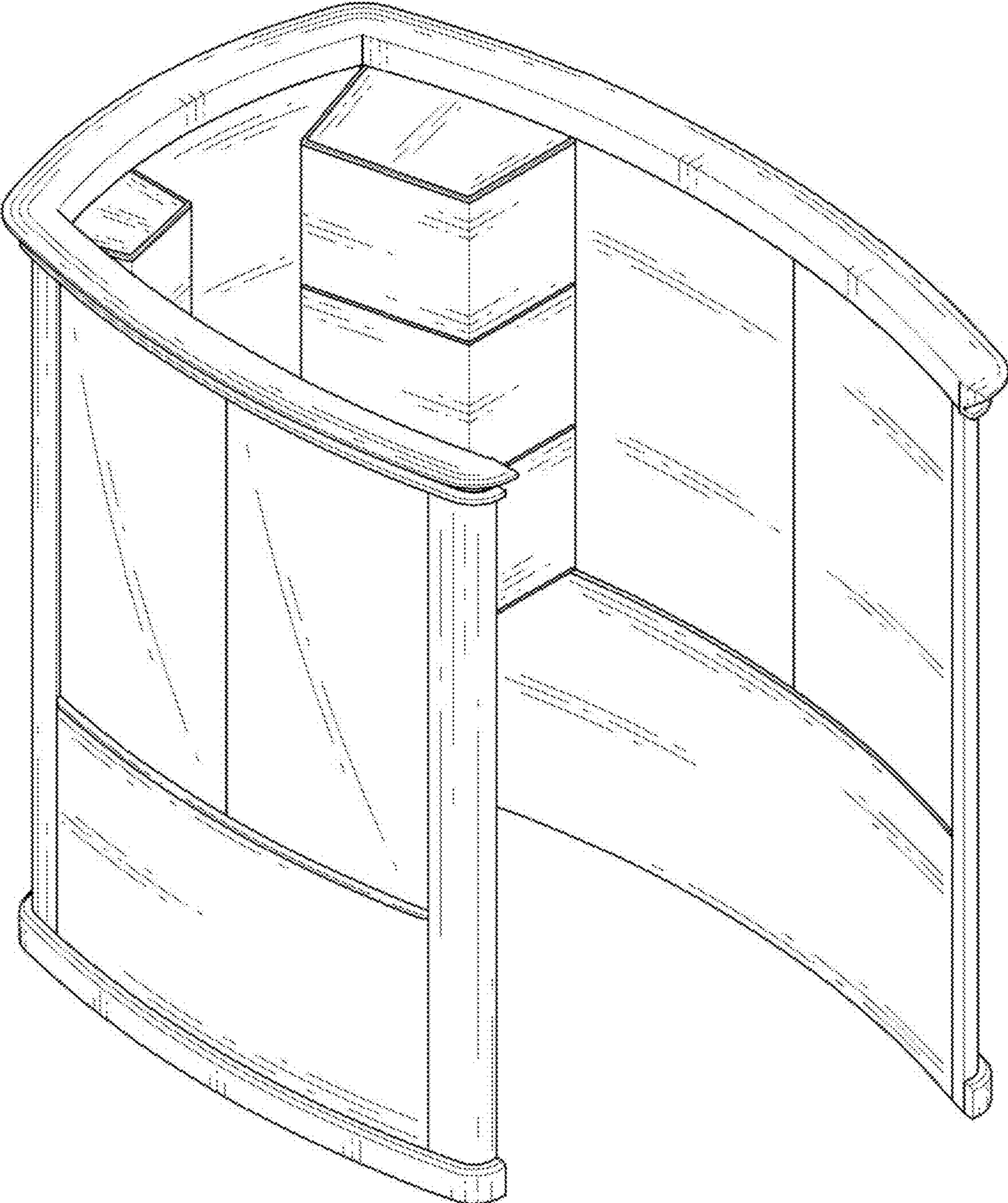
References Cited

U.S. PATENT DOCUMENTS

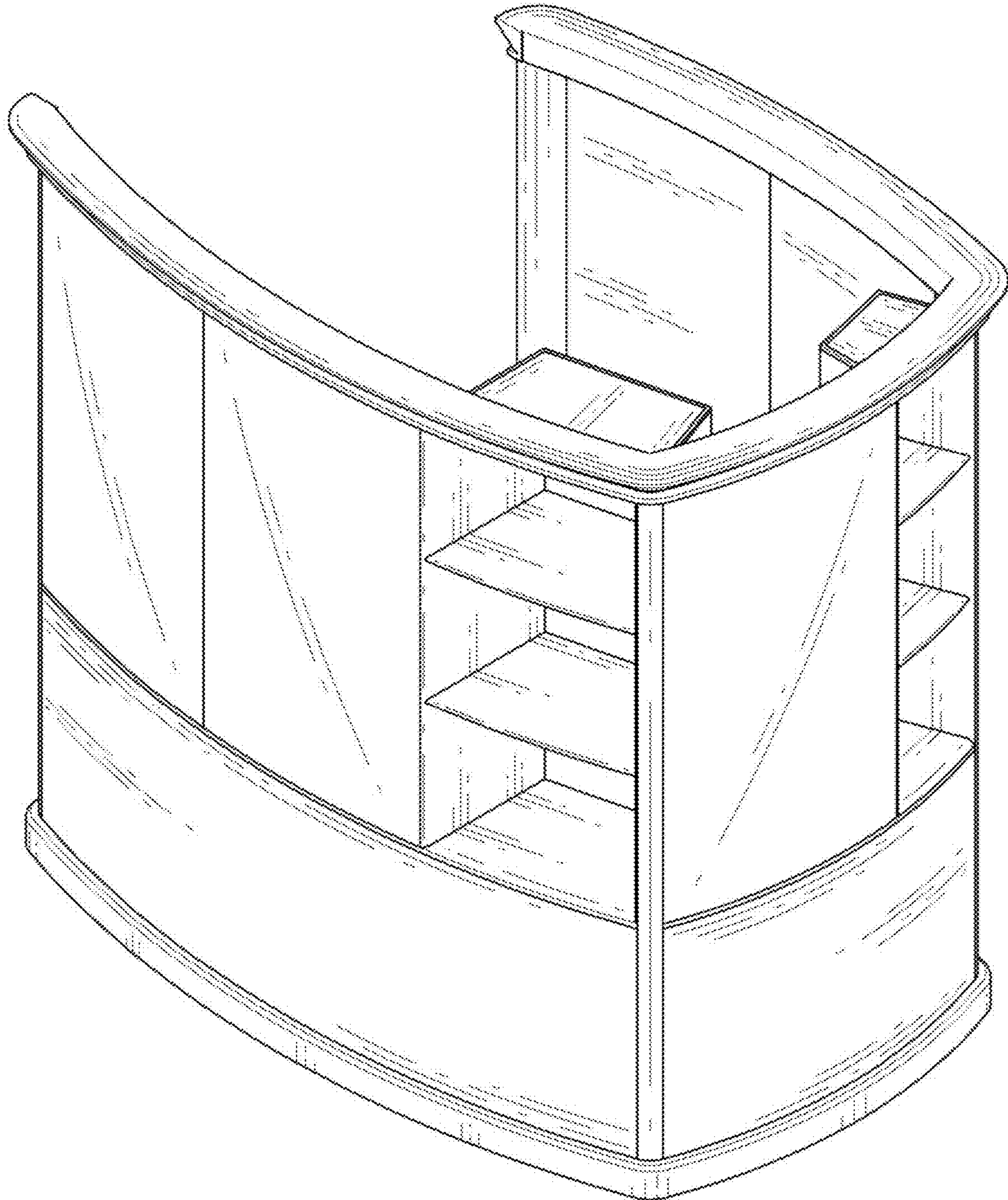
2012/0080985 A1* 4/2012 Alarcon A47F 5/00
312/234

* cited by examiner

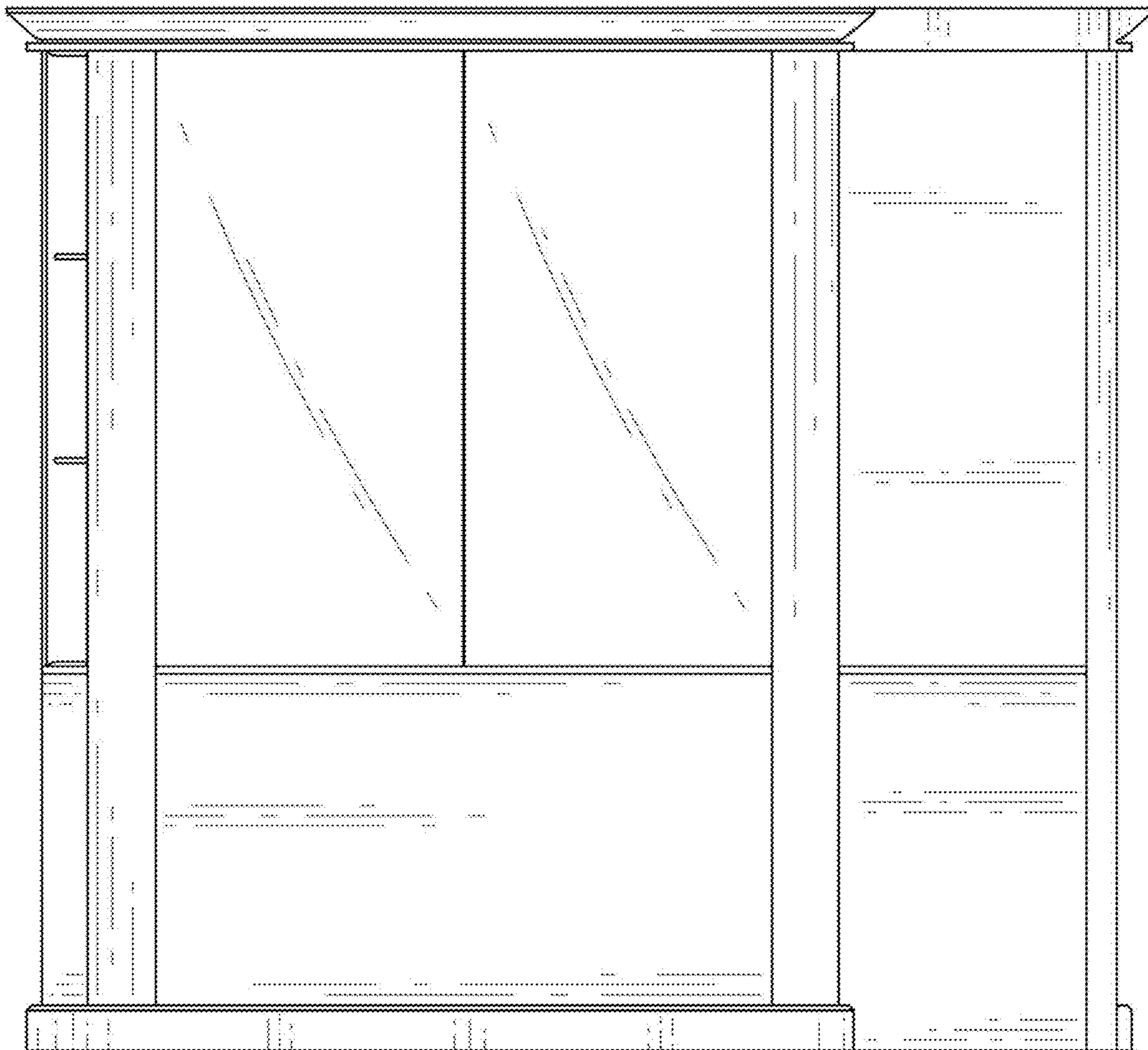
1.1



1.2



1.3



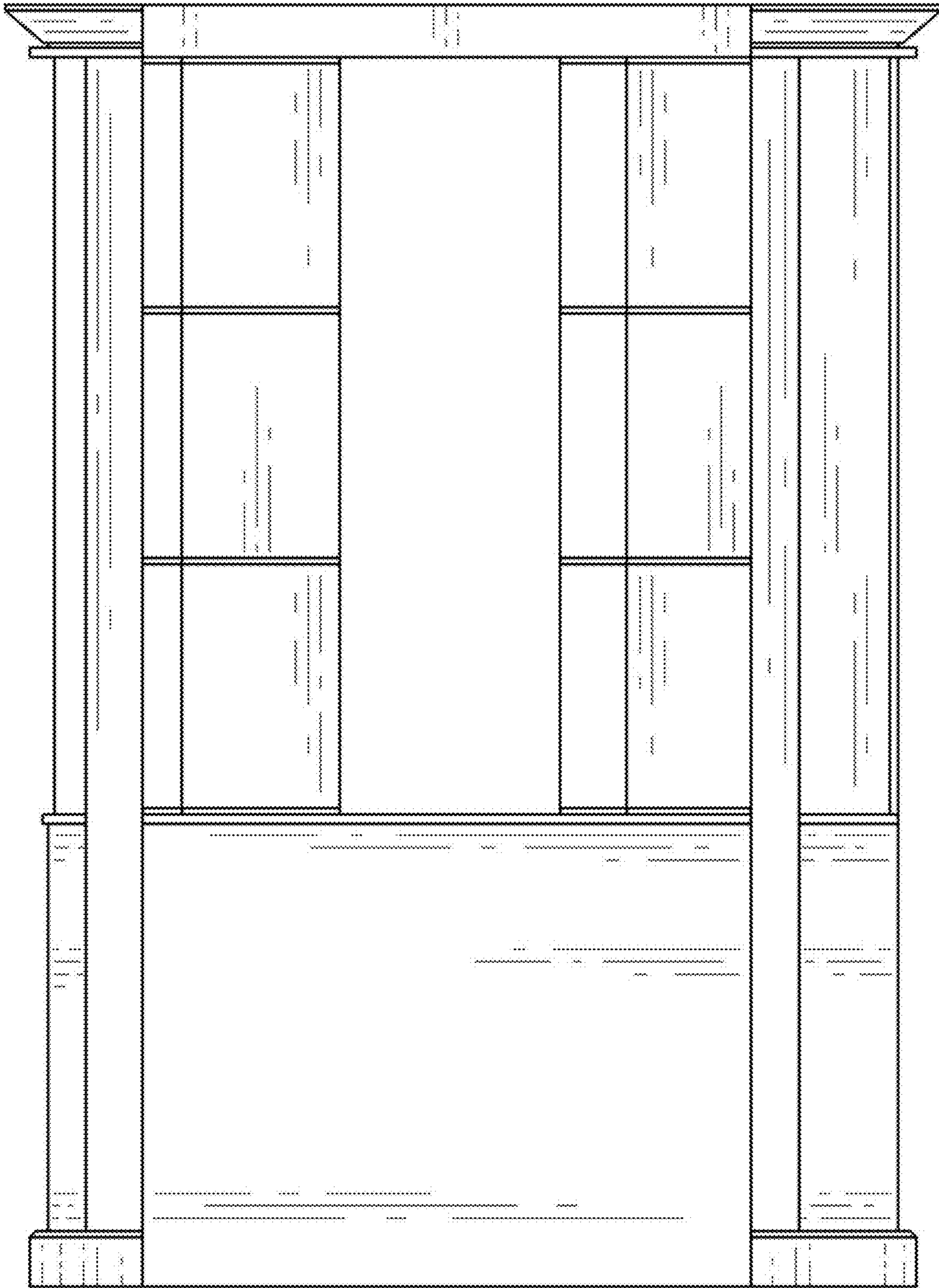
1.4



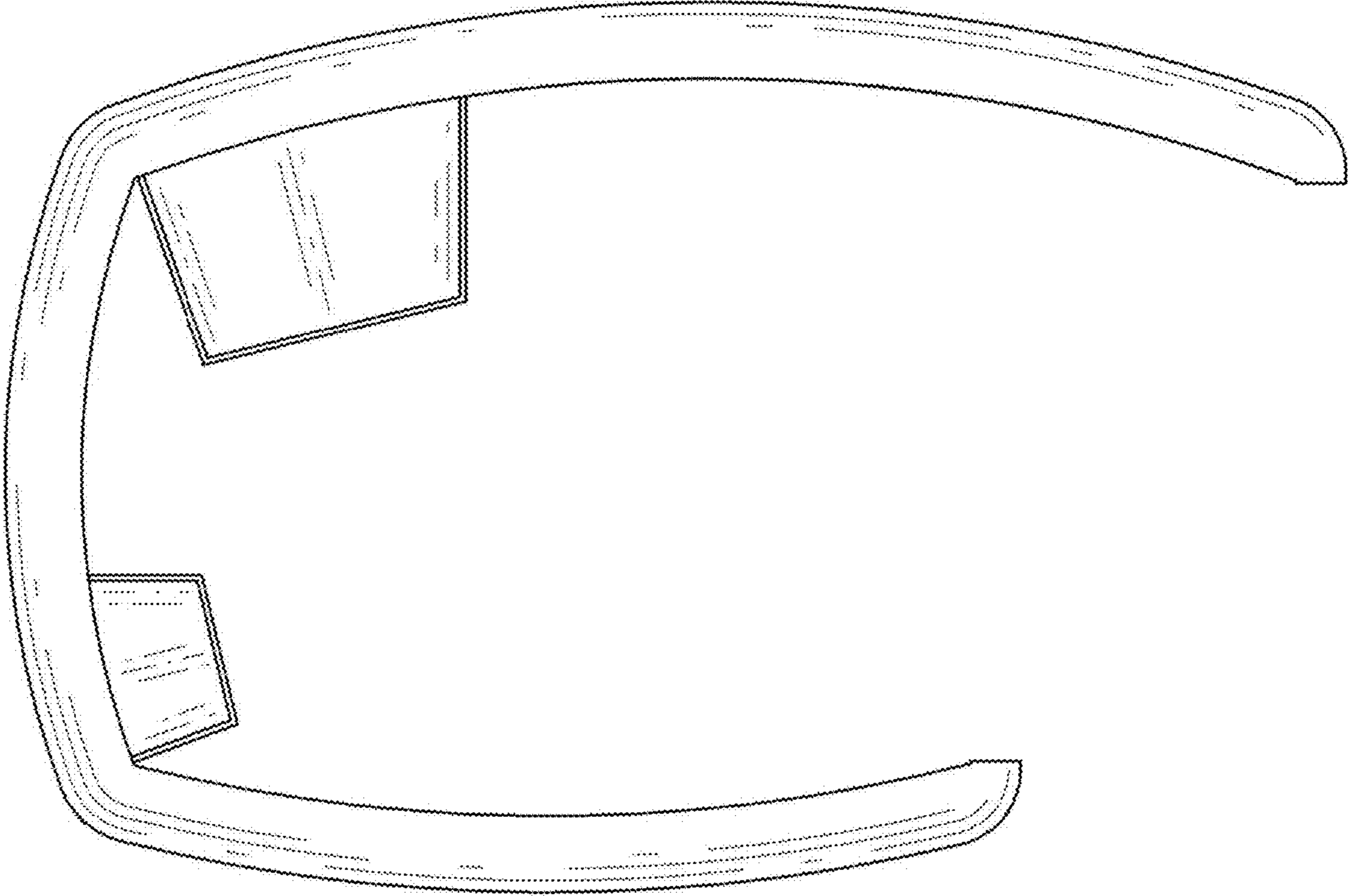
1.5



1.6



1.7



1.8

