



US00D846919S

(12) **United States Design Patent** (10) **Patent No.:** **US D846,919 S**
Yost (45) **Date of Patent:** **** Apr. 30, 2019**

(54) **STORAGE CHEST**

(71) Applicant: **Donna Yost**, Bloomfield Hills, MI (US)

(72) Inventor: **Donna Yost**, Bloomfield Hills, MI (US)

(**) Term: **15 Years**

(21) Appl. No.: **29/609,288**

(22) Filed: **Jun. 29, 2017**

Related U.S. Application Data

(62) Division of application No. 29/531,640, filed on Jun. 29, 2015, now Pat. No. Des. 790,886.

(51) **LOC (11) Cl.** **06-04**

(52) **U.S. Cl.**
USPC **D6/669**

(58) **Field of Classification Search**

USPC D3/272; D6/663-669, 668.1, 668.2, 671, D6/671.1, 677.3, 703; D7/330; D16/246; D99/5, 17

CPC A45C 5/04; A47B 17/04; A47B 47/02; A47B 47/03; A47B 87/00; A47F 3/06; A47F 3/043; A47F 3/0434; A61G 17/02; B44C 3/085

See application file for complete search history.

(56) **References Cited**

U.S. PATENT DOCUMENTS

D548,512 S *	8/2007	Nakatani	D7/330
D640,893 S *	7/2011	Lindquist	D7/330
D761,610 S *	7/2016	Carpenter	D7/330
D790,886 S *	7/2017	Yost	D6/669
D814,223 S *	4/2018	Barquin	D7/330

* cited by examiner

Primary Examiner — Ricky Pham

(74) *Attorney, Agent, or Firm* — The Weintraub Group, P.L.C.

(57) **CLAIM**

The ornamental design for a storage chest, as shown and described.

DESCRIPTION

FIG. 1 is a front view of a storage chest, showing my new design.

FIG. 2 is a rear view as seen from the side opposite that of FIG. 1;

FIG. 3 is a first side elevational view hereof;

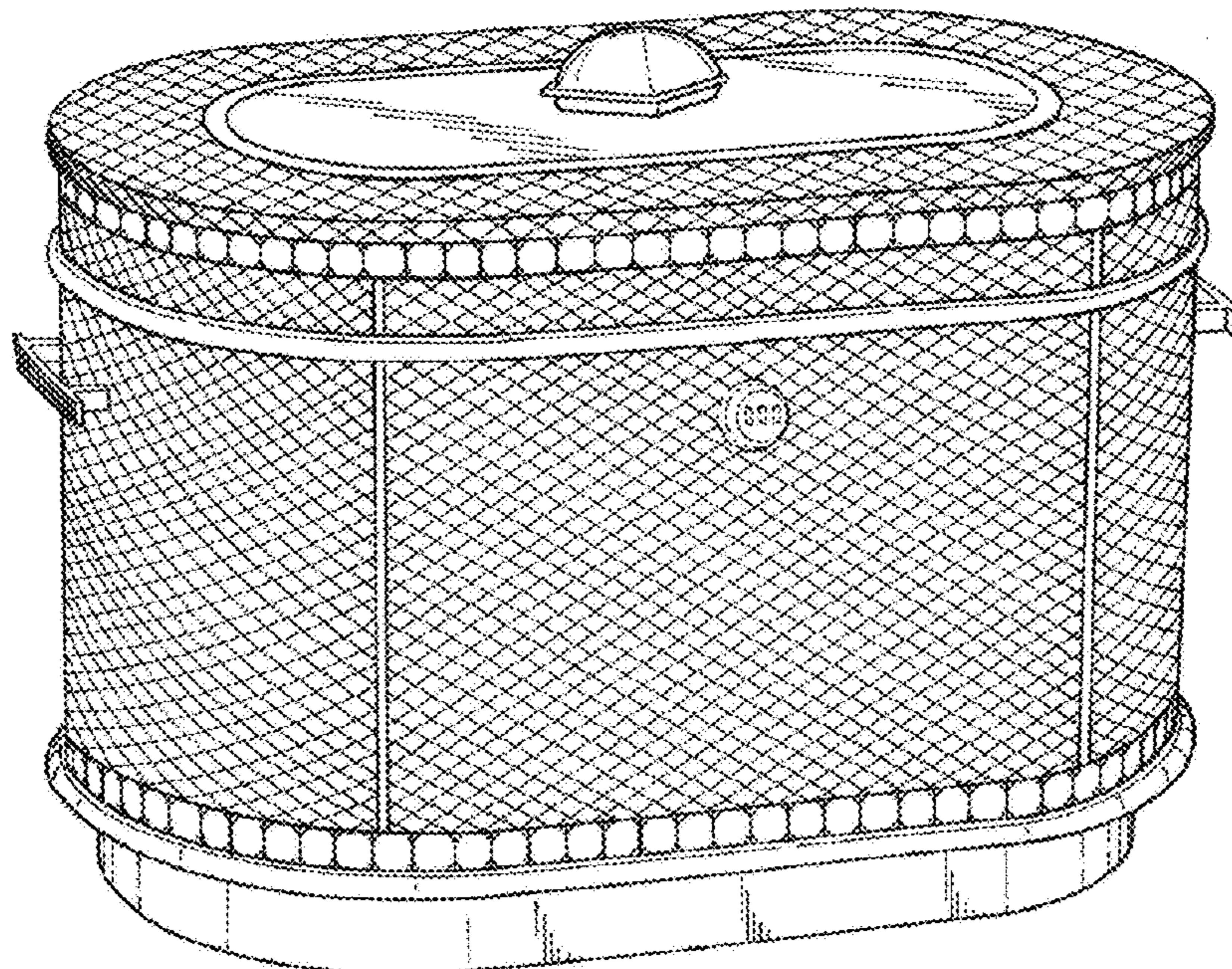
FIG. 4 is a second side elevational view as seen from the side opposite that of FIG. 3;

FIG. 5 is a top view hereof;

FIG. 6 is a bottom view hereof as seen from the side opposite that of FIG. 5; and,

FIG. 7 is a perspective view hereof.

1 Claim, 4 Drawing Sheets



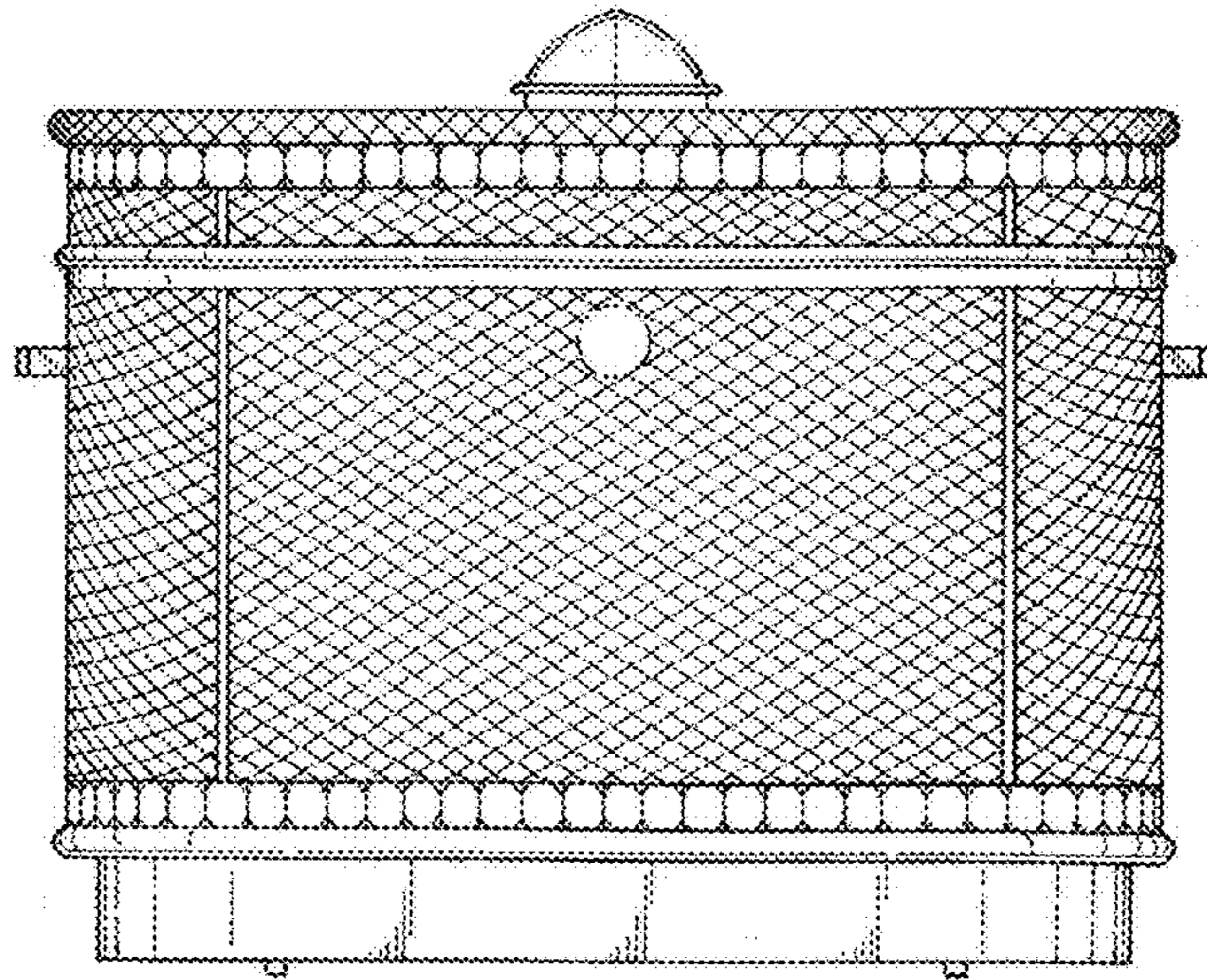


FIG. 1

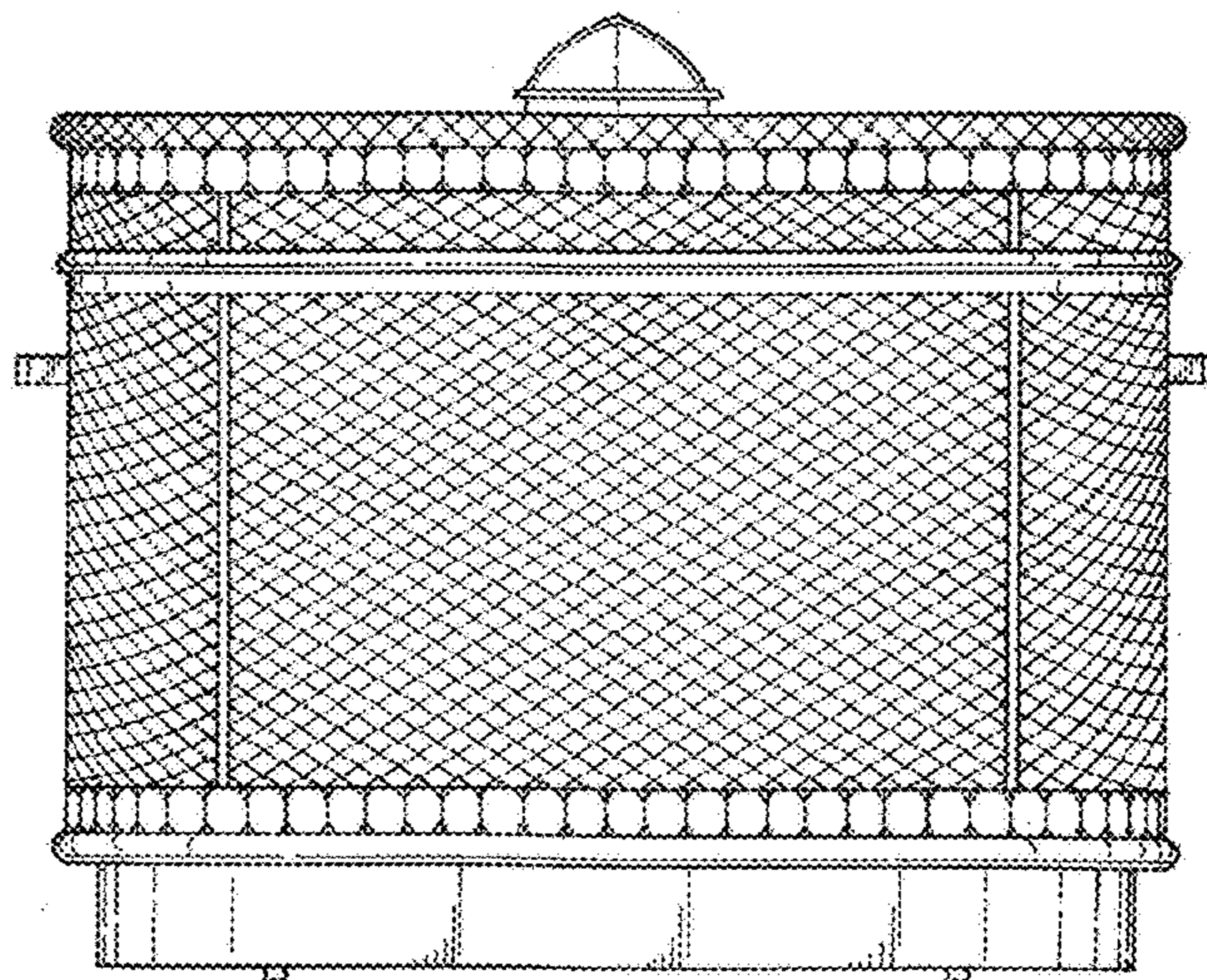


FIG. 2

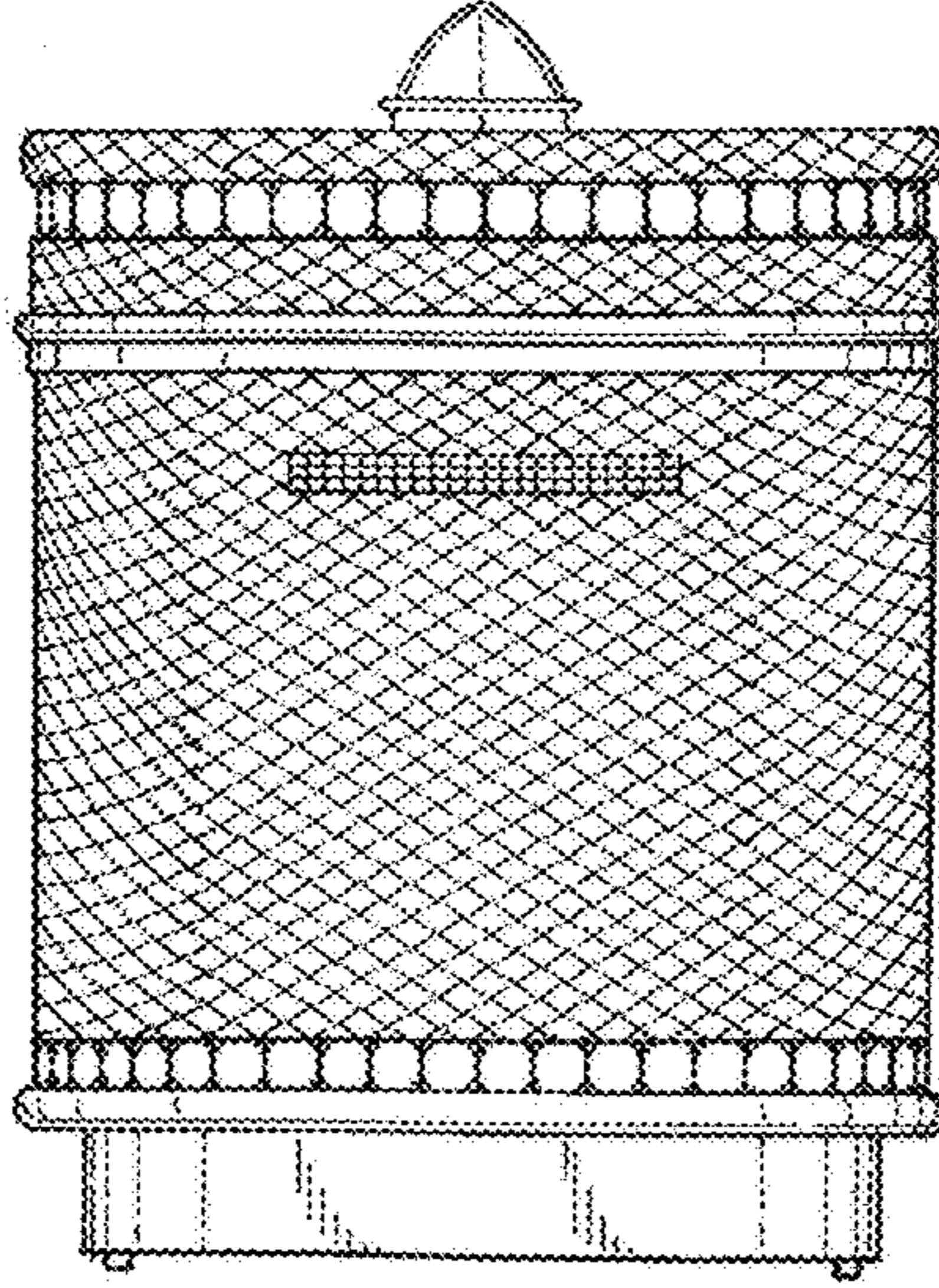


FIG. 3

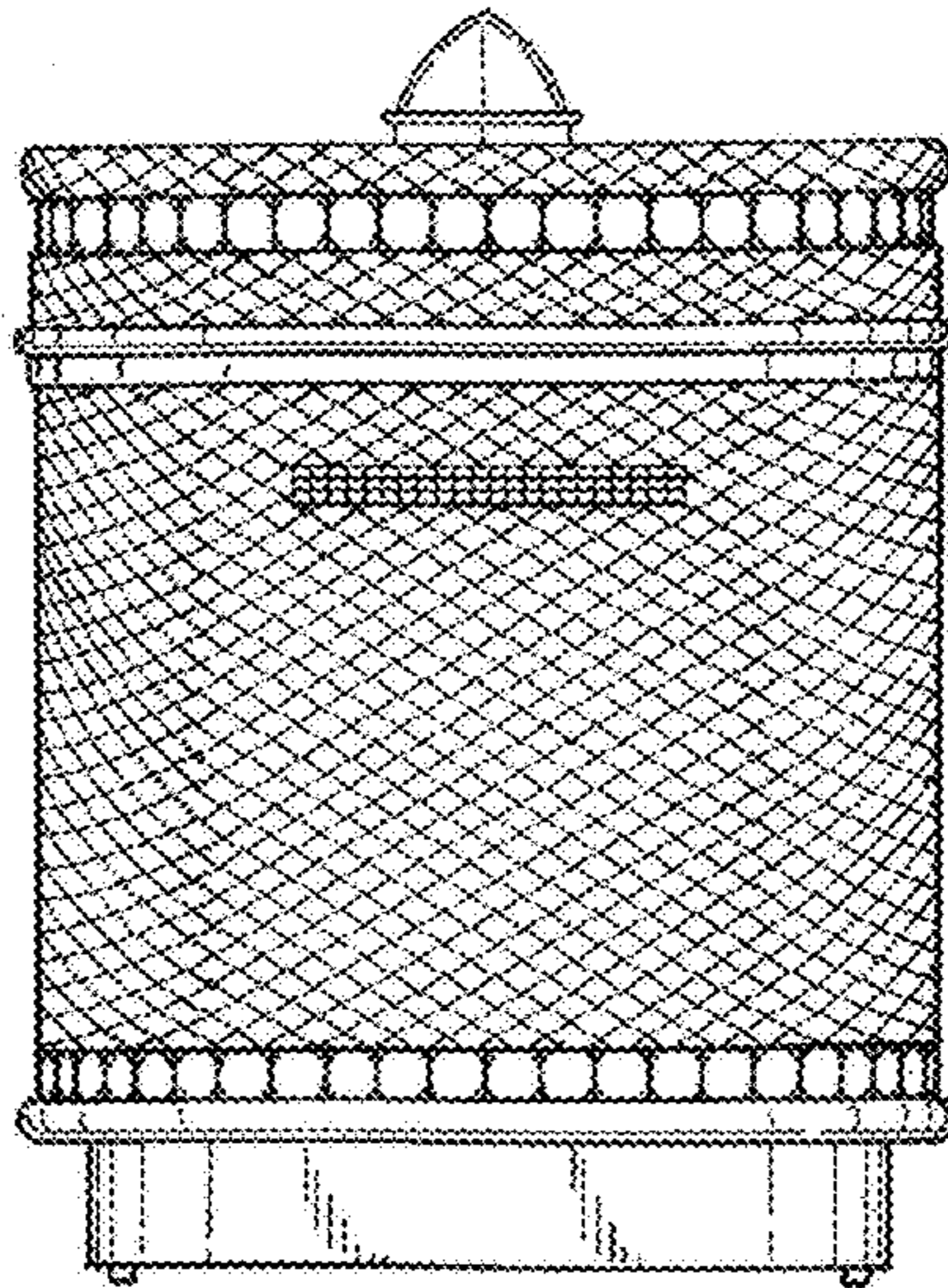


FIG. 4

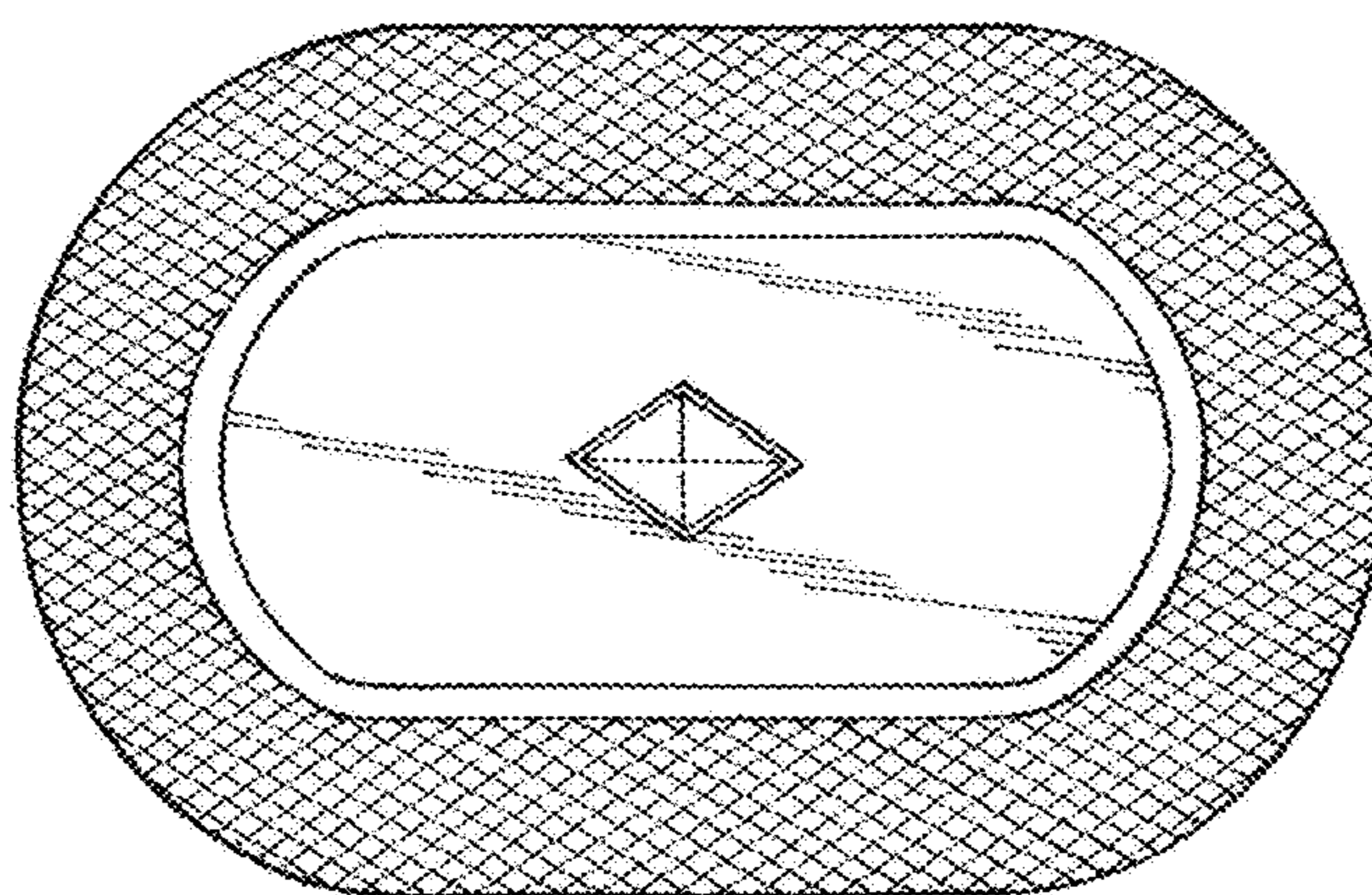


FIG. 5

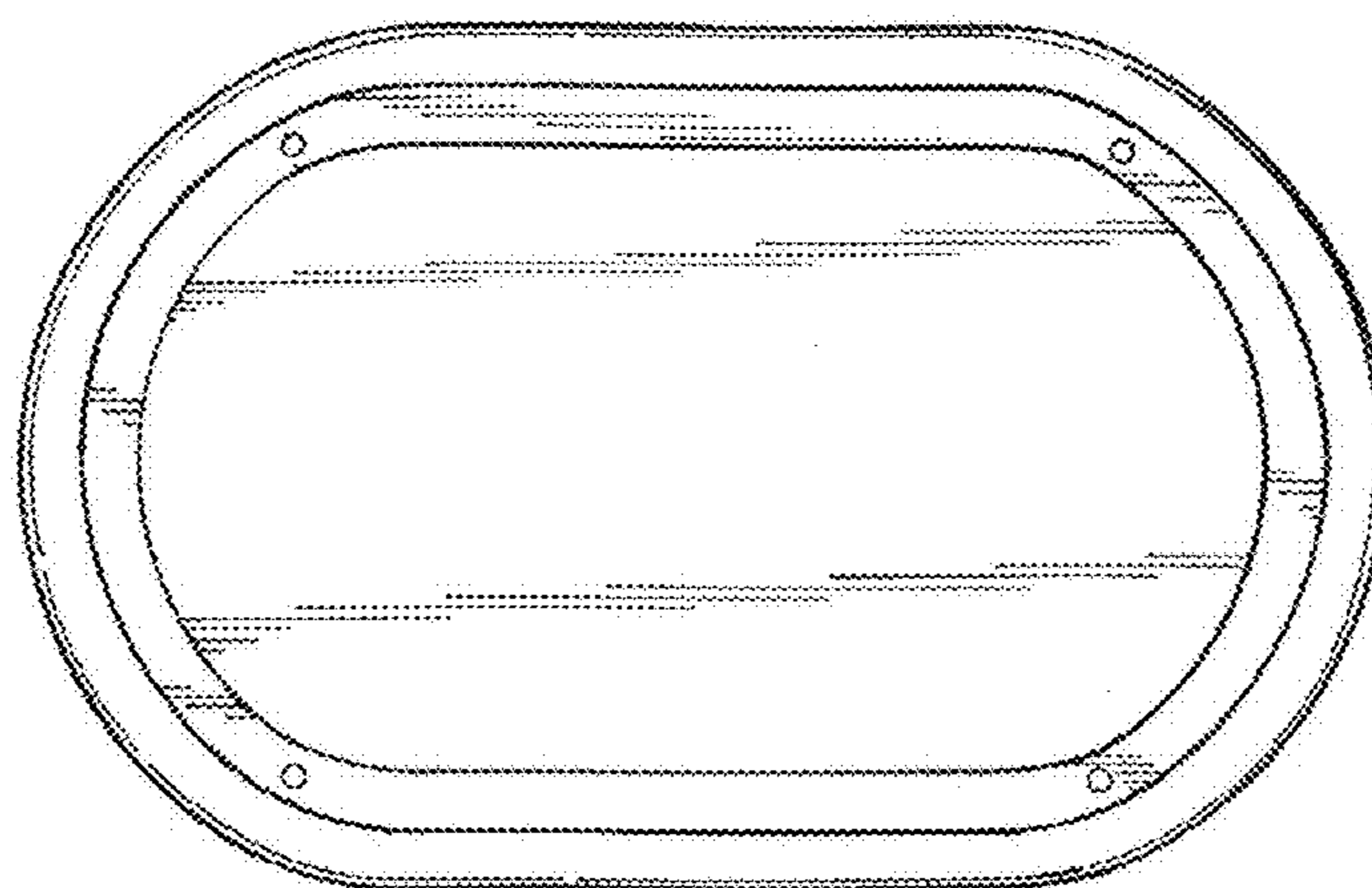


FIG. 6

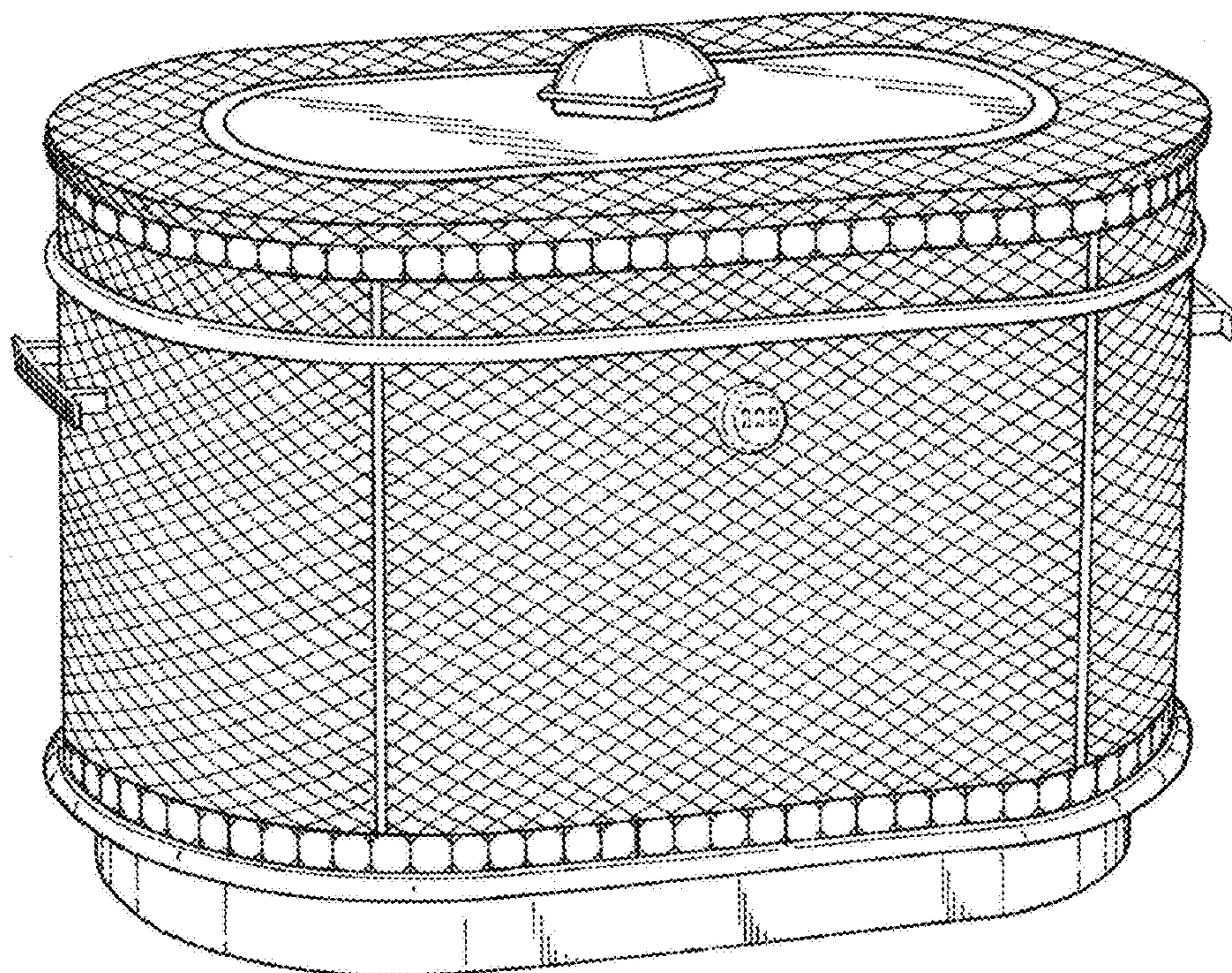


FIG. 7