



US00D846917S

(12) **United States Design Patent**  
**Hu**

(10) **Patent No.:** **US D846,917 S**

(45) **Date of Patent:** **\*\* Apr. 30, 2019**

(54) **HEIGHT ADJUSTABLE DESK**

(71) Applicant: **Yajun Hu**, El Dorado Hills, CA (US)

(72) Inventor: **Yajun Hu**, El Dorado Hills, CA (US)

(73) Assignees: **Yajun Hu**, El Dorado Hills, CA (US);  
**EUREKA LLC**, El Dorado Hills, CA (US)

(\*\*) Term: **15 Years**

(21) Appl. No.: **29/623,590**

(22) Filed: **Oct. 25, 2017**

(51) **LOC (11) Cl.** ..... **06-03**

(52) **U.S. Cl.**

USPC ..... **D6/656.17**

(58) **Field of Classification Search**

USPC ..... D6/353, 368, 642, 655-655.23, 656,  
D6/656.1, 656.11, 656.12, 656.13, 656.14,  
D6/656.15, 656.16, 656.17, 656.18,  
D6/656.19, 663, 686, 687, 691, 691.1,  
D6/691.9, 708.17; D13/19

CPC .... A47B 1/00; A47B 7/00; A47B 9/00; A47B  
9/10; A47B 9/16; A47B 2009/006; A47B  
11/00; A47B 13/00; A47B 13/081; A47B  
21/0073; A47B 21/02; A47B 21/03; A47B  
2200/005; A47B 2200/0064

See application file for complete search history.

(56) **References Cited**

**U.S. PATENT DOCUMENTS**

4,703,700	A	11/1987	Sema	
5,323,695	A *	6/1994	Borgman	..... A47B 9/00 108/147
D478,225	S	8/2003	Wang	
D499,273	S	12/2004	Chang	
D499,576	S	12/2004	Long	
D526,812	S	8/2006	Chen	
D547,970	S	8/2007	Chou	
D549,009	S	8/2007	Lin	

D644,044	S *	8/2011	Kitajima	..... D6/656.17
8,118,375	B2	2/2012	Berthiaume et al.	
9,038,549	B1 *	5/2015	Zebarjad	..... A47B 9/02 108/147

(Continued)

**OTHER PUBLICATIONS**

ApexDesk, posted at Amazon.com, posted on Oct. 16, 2015, site visited Sep. 12, 2018. online, available from internet: <https://www.amazon.com/dp/B01LZ5MI3N>.\*

(Continued)

*Primary Examiner* — Mary Ann Calabrese

*Assistant Examiner* — Catherine Ho

(57) **CLAIM**

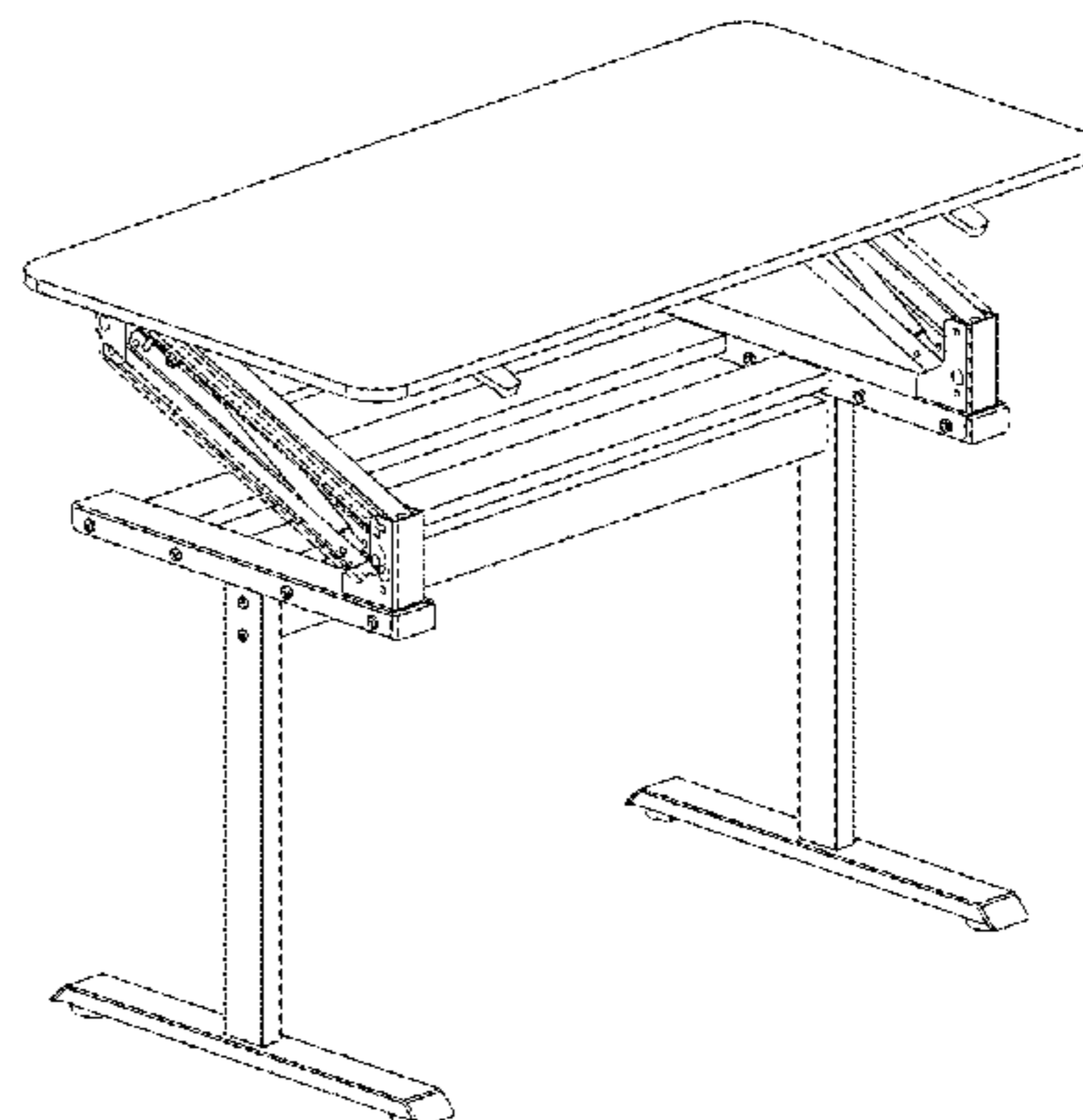
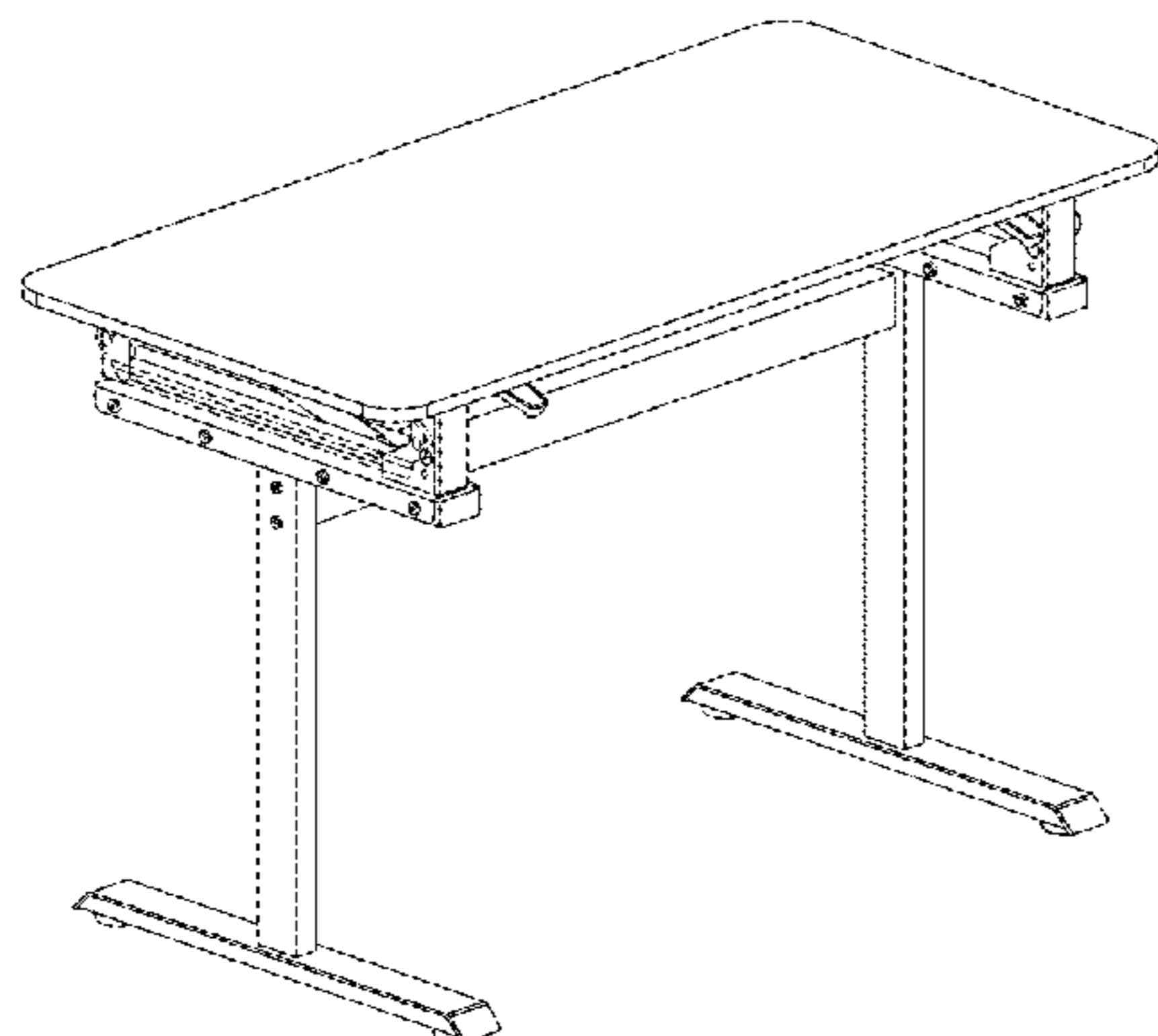
The ornamental design for a height adjustable desk, as shown and described.

**DESCRIPTION**

FIG. 1 is a perspective view of hight adjustable desk in a collapsed position, showing my new design;  
FIG. 2 is a front view thereof;  
FIG. 3 is a bottom view thereof;  
FIG. 4 is a top view thereof;  
FIG. 5 is a rear side view thereof;  
FIG. 6 is a left side view thereof;  
FIG. 7 is a right side view thereof;  
FIG. 8 is a perspective view of the height adjustable desk in an extended position;  
FIG. 9 is a front view thereof;  
FIG. 10 is a bottom view thereof;  
FIG. 11 is a top view thereof;  
FIG. 12 is a rear side view thereof;  
FIG. 13 is a left side view thereof; and,  
FIG. 14 is a right side view thereof.

The broken line portion of the figure drawings is included to show portions of the article that forms no part of the claimed design.

**1 Claim, 14 Drawing Sheets**



(56)

**References Cited**

U.S. PATENT DOCUMENTS

D776,961 S \* 1/2017 Yamamoto ..... D6/656.16  
9,572,422 B2 2/2017 Ergun et al.  
9,591,919 B2 3/2017 Ergun et al.  
9,635,932 B2 5/2017 Kelley et al.  
D788,494 S \* 6/2017 Yamamoto ..... D6/642  
9,700,135 B2 \* 7/2017 Herring ..... A47B 9/00  
9,814,307 B1 \* 11/2017 Hall ..... B25H 1/14  
D817,036 S \* 5/2018 Palma ..... D6/656.17  
2014/0096706 A1 \* 4/2014 Labrosse ..... A47B 21/02  
108/21  
2017/0251806 A1 \* 9/2017 Newman ..... A47B 21/02  
2018/0064241 A1 \* 3/2018 Tseng ..... A47B 9/10

OTHER PUBLICATIONS

Pneumatic, posted at Amazon.com, posted on Mar. 14, 2017, site visited Sep. 12, 2018. online, available from internet: <https://www.amazon.com/dp/B0781425QF>.\*

Fancierstudio, posted at Amazon.com, posted on Dec. 20, 2016, site visited Sep. 12, 2018. online, available from internet: <https://www.amazon.com/dp/B01NCKIU70>.\*

\* cited by examiner

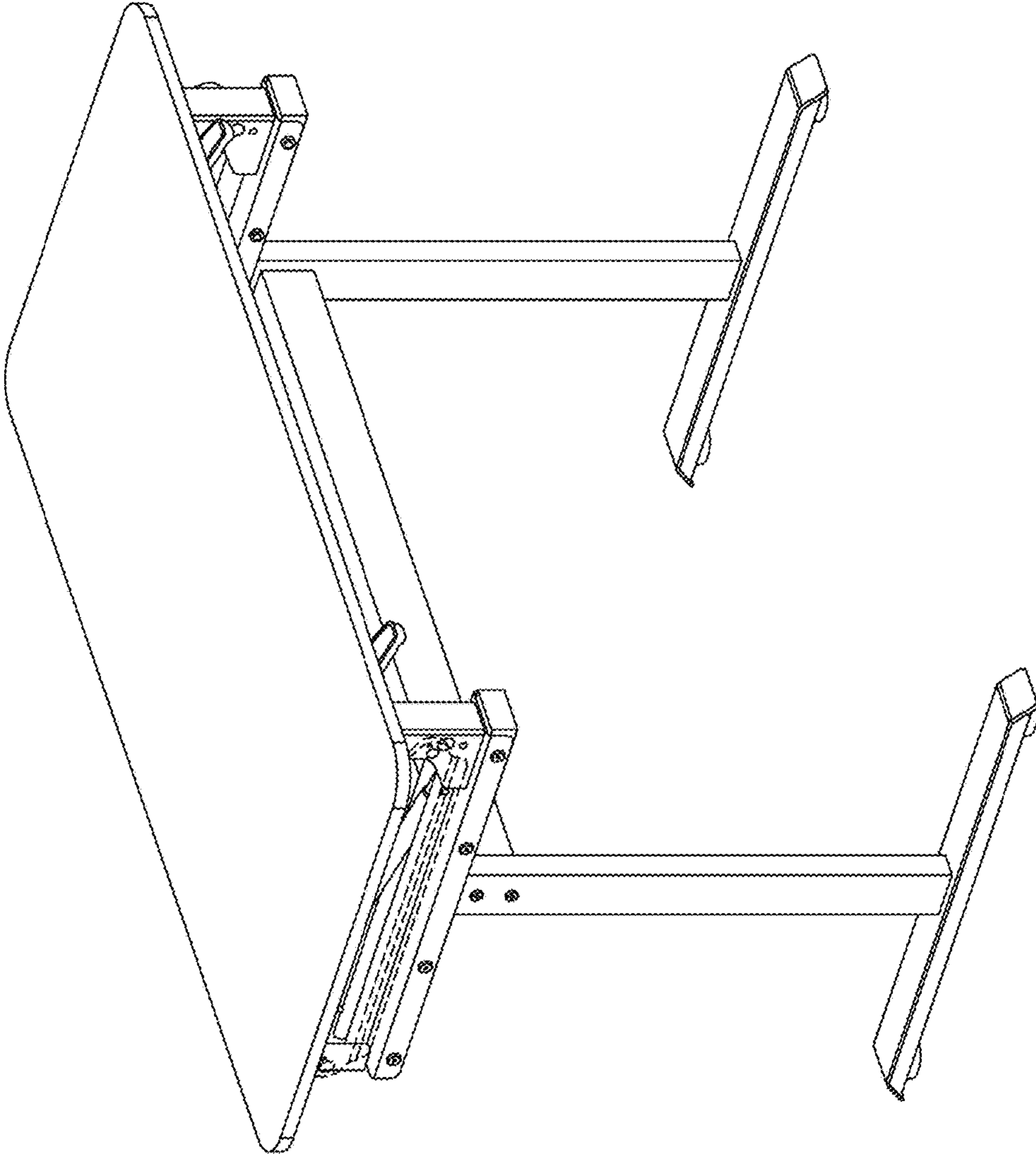


FIG.1

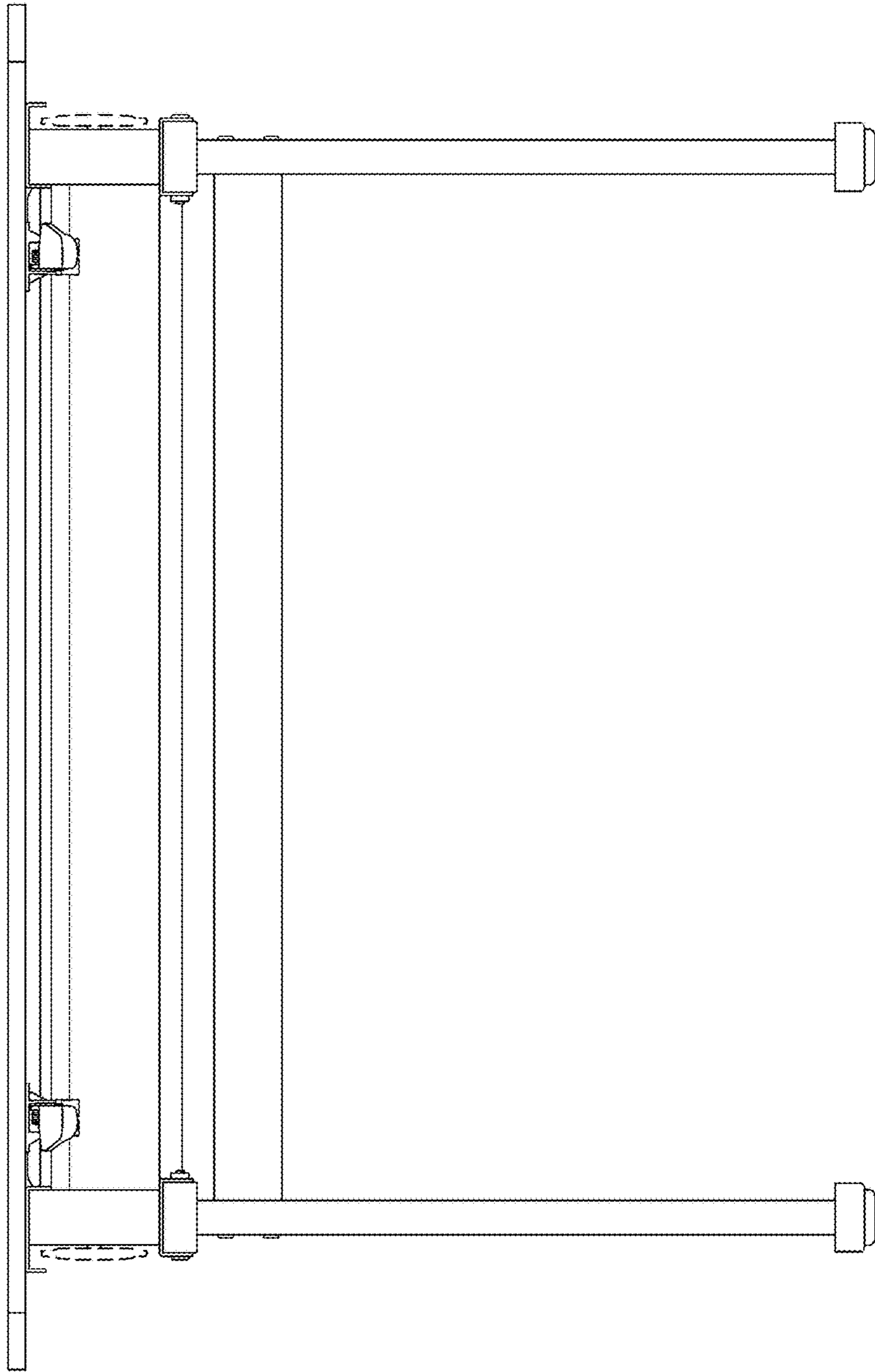


FIG.2

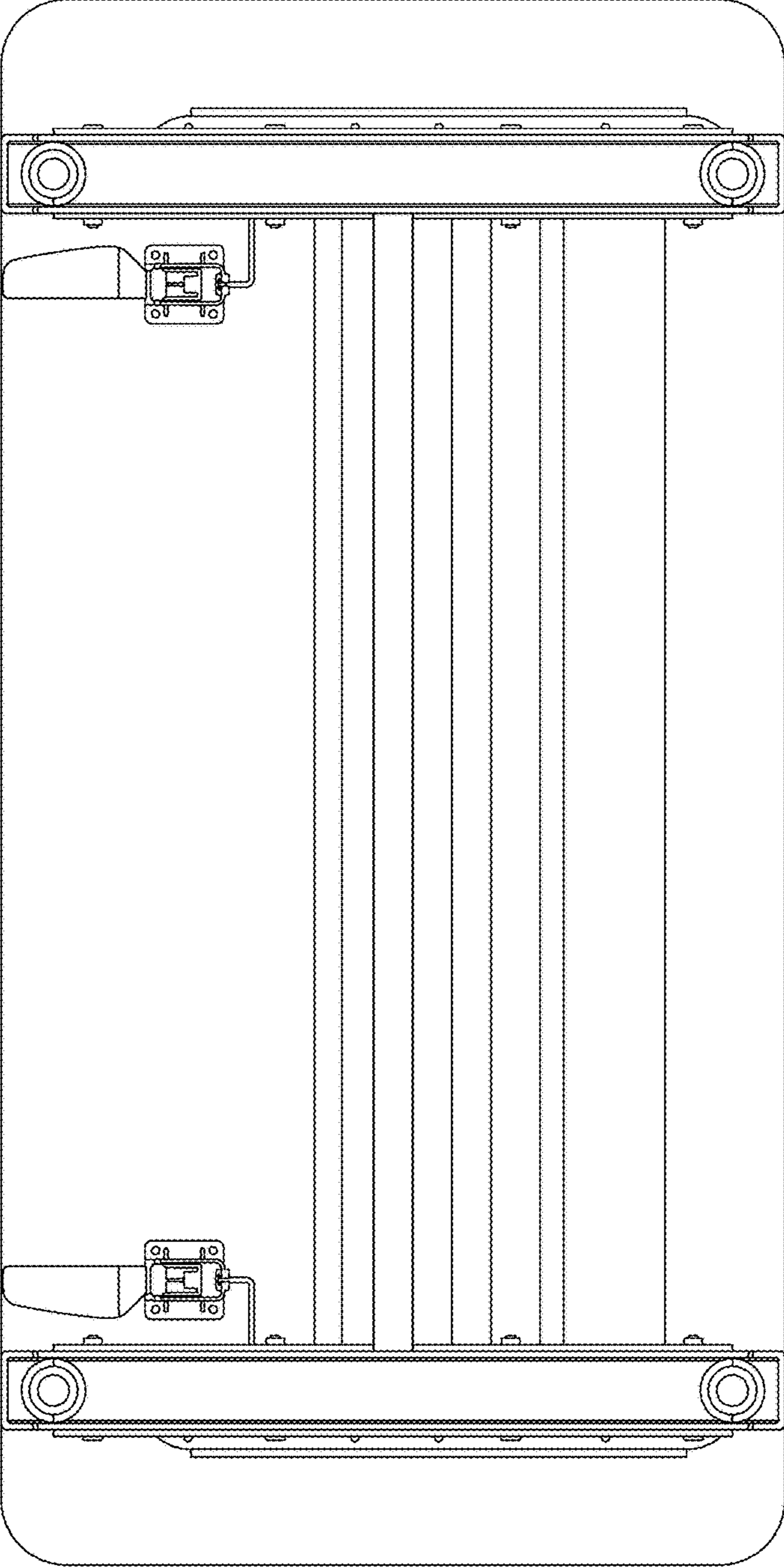


FIG. 3



FIG. 4

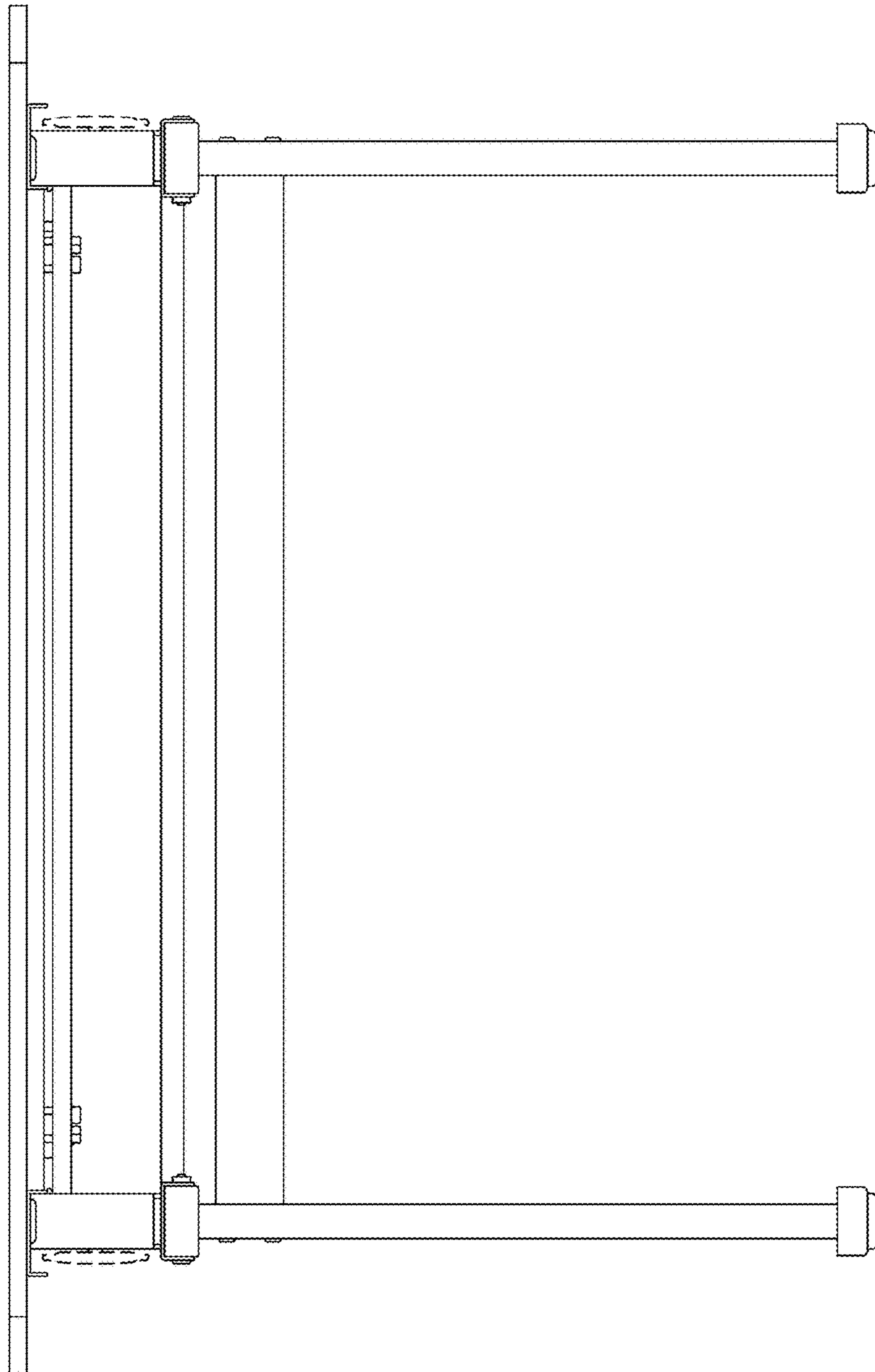


FIG. 5

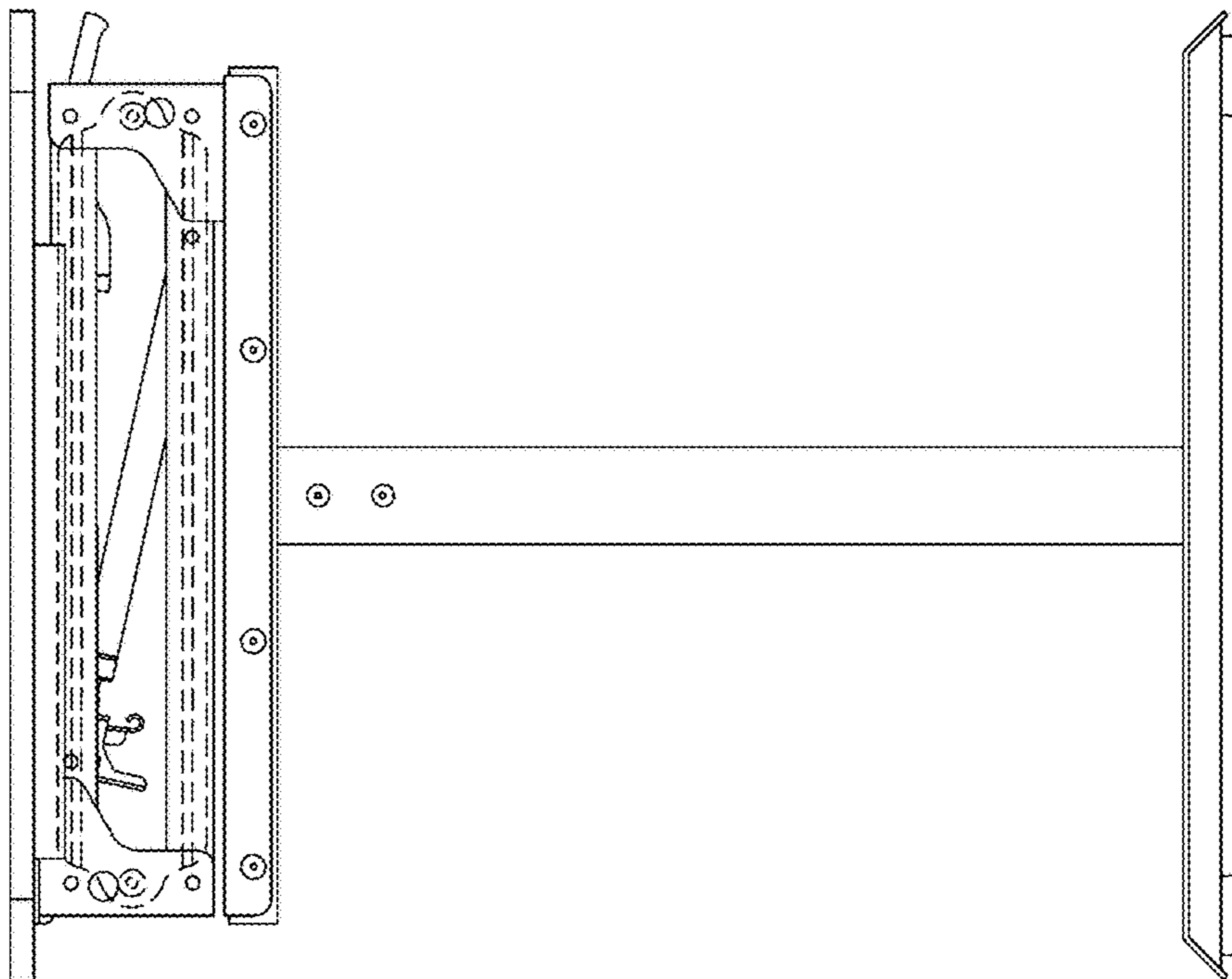


FIG. 6



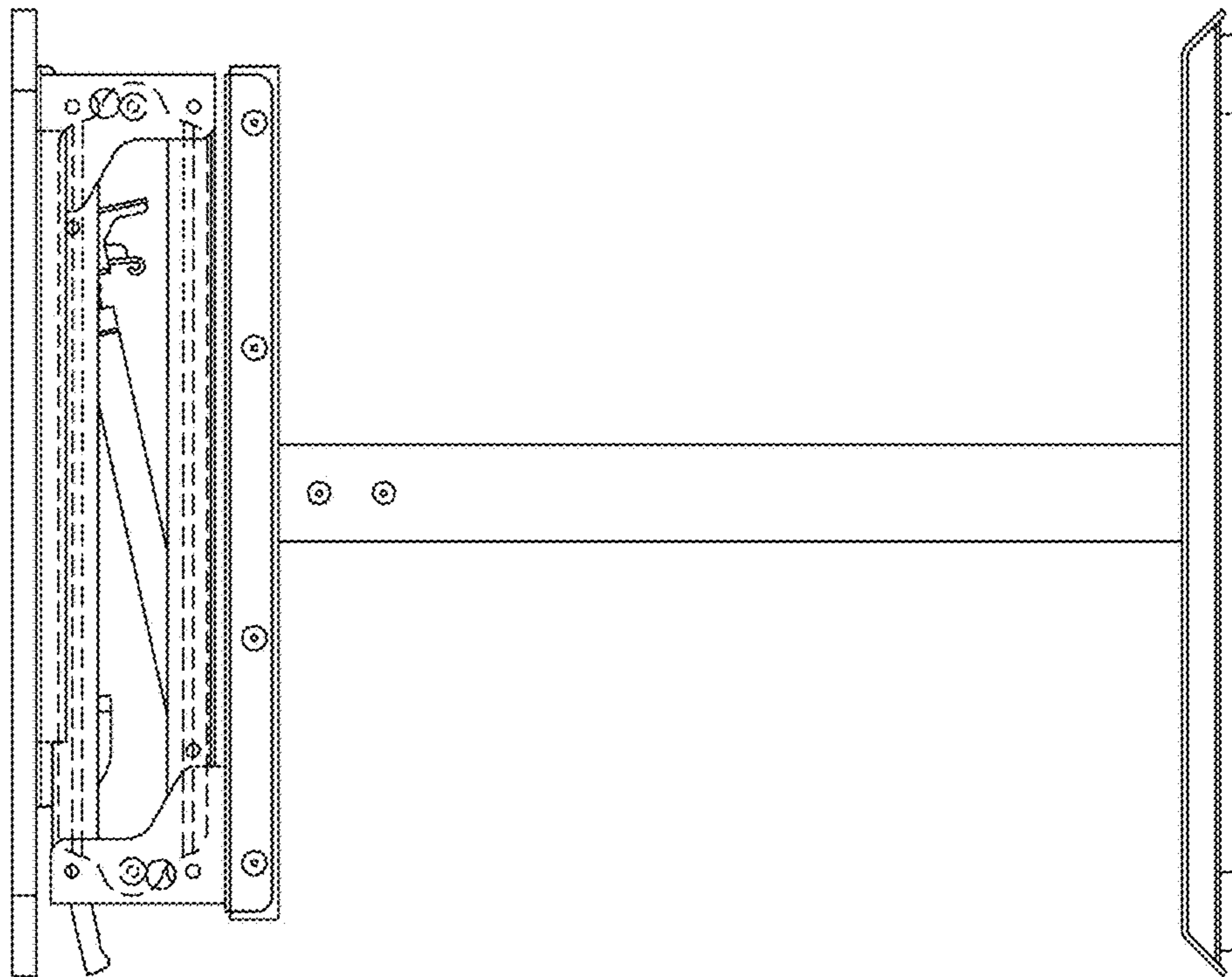


FIG.7

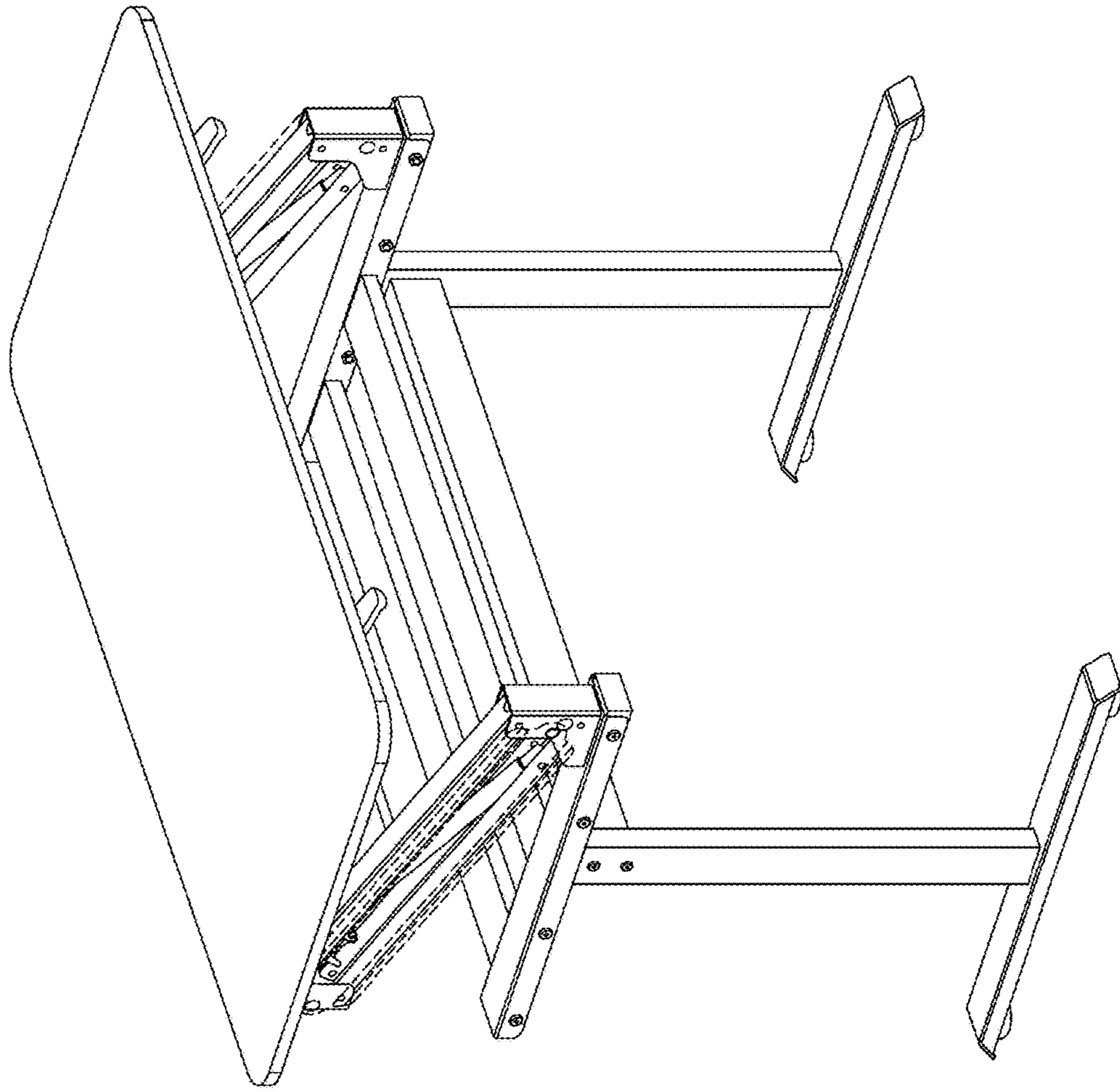


FIG. 8

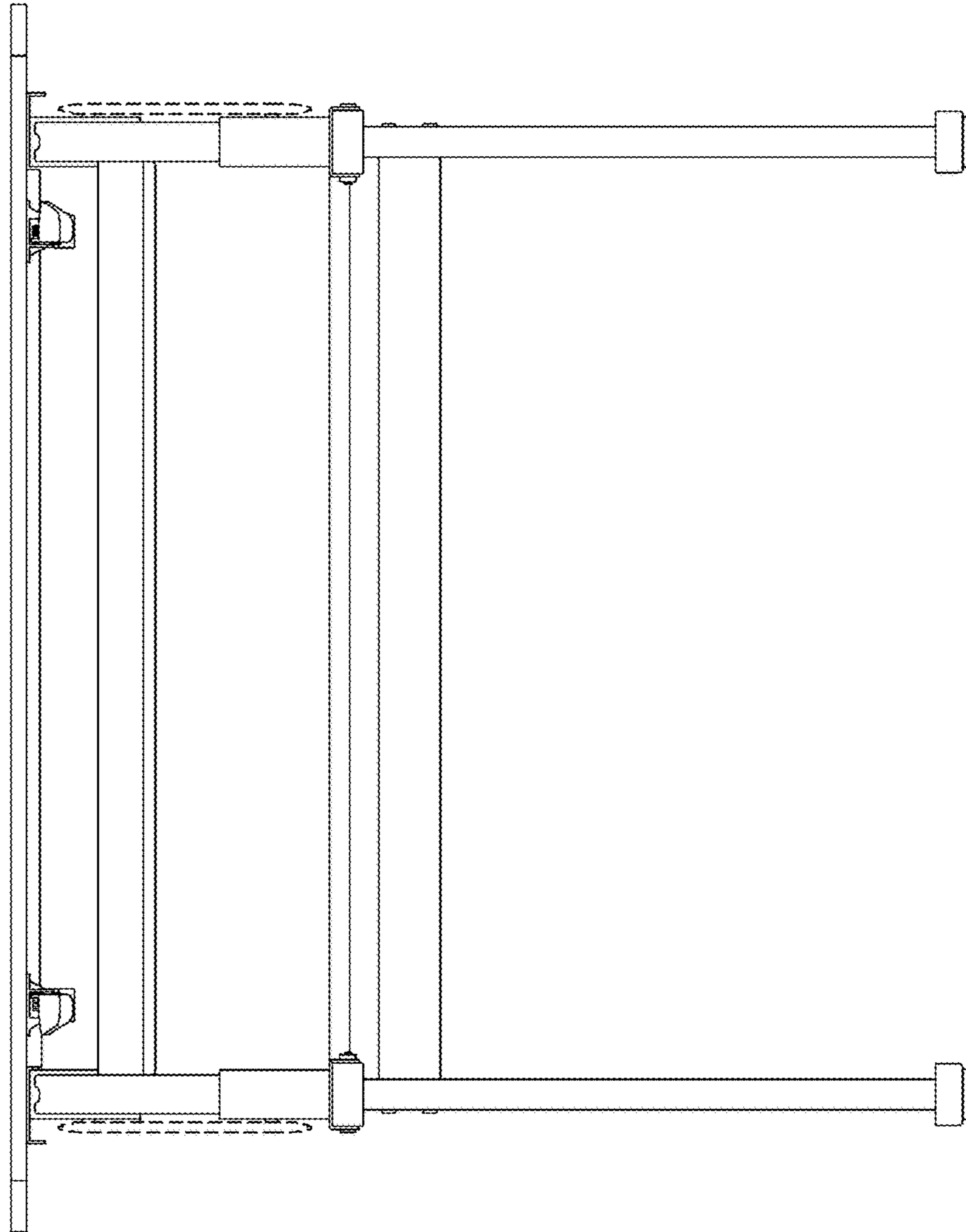


FIG. 9

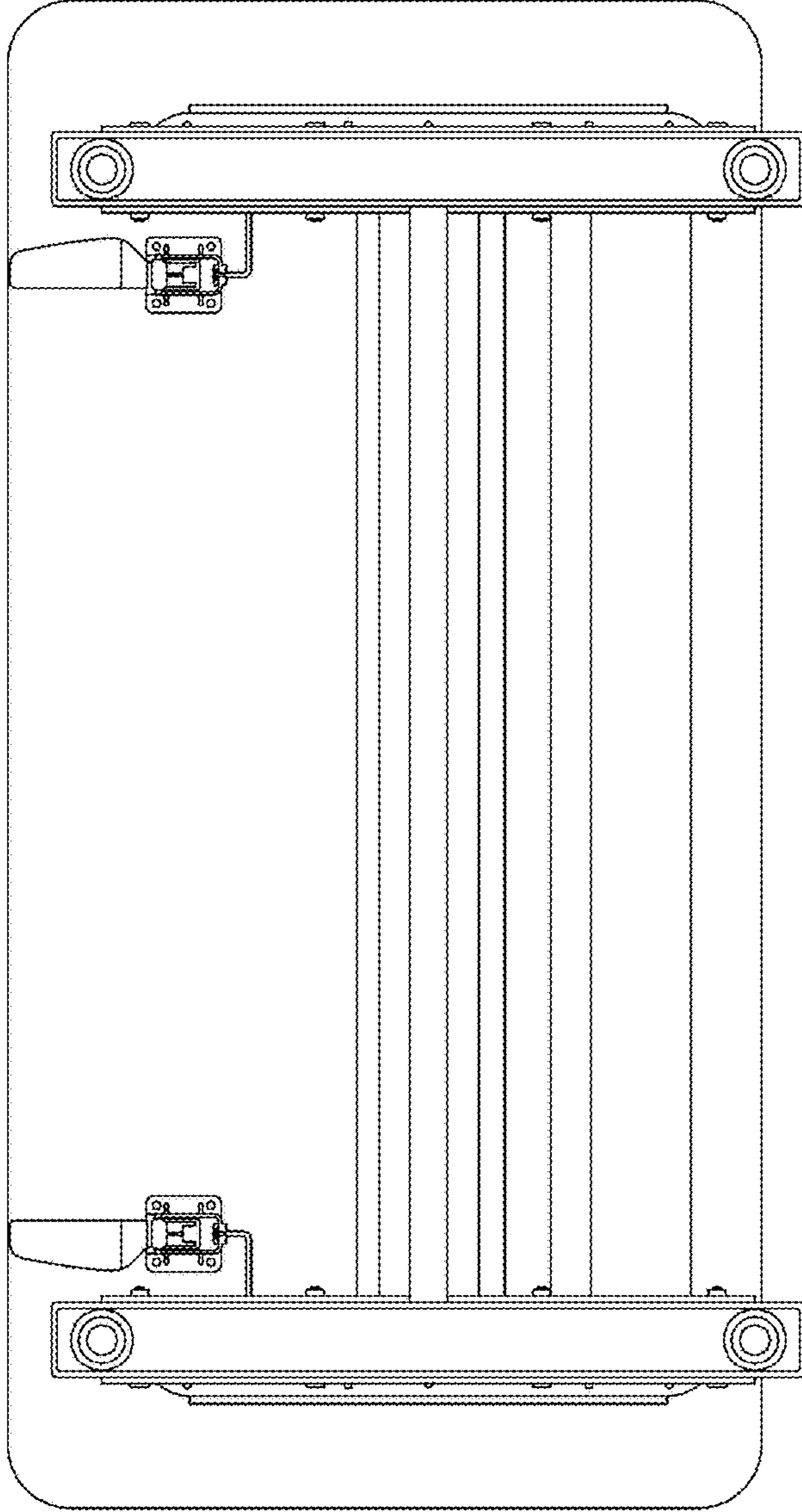


FIG.10

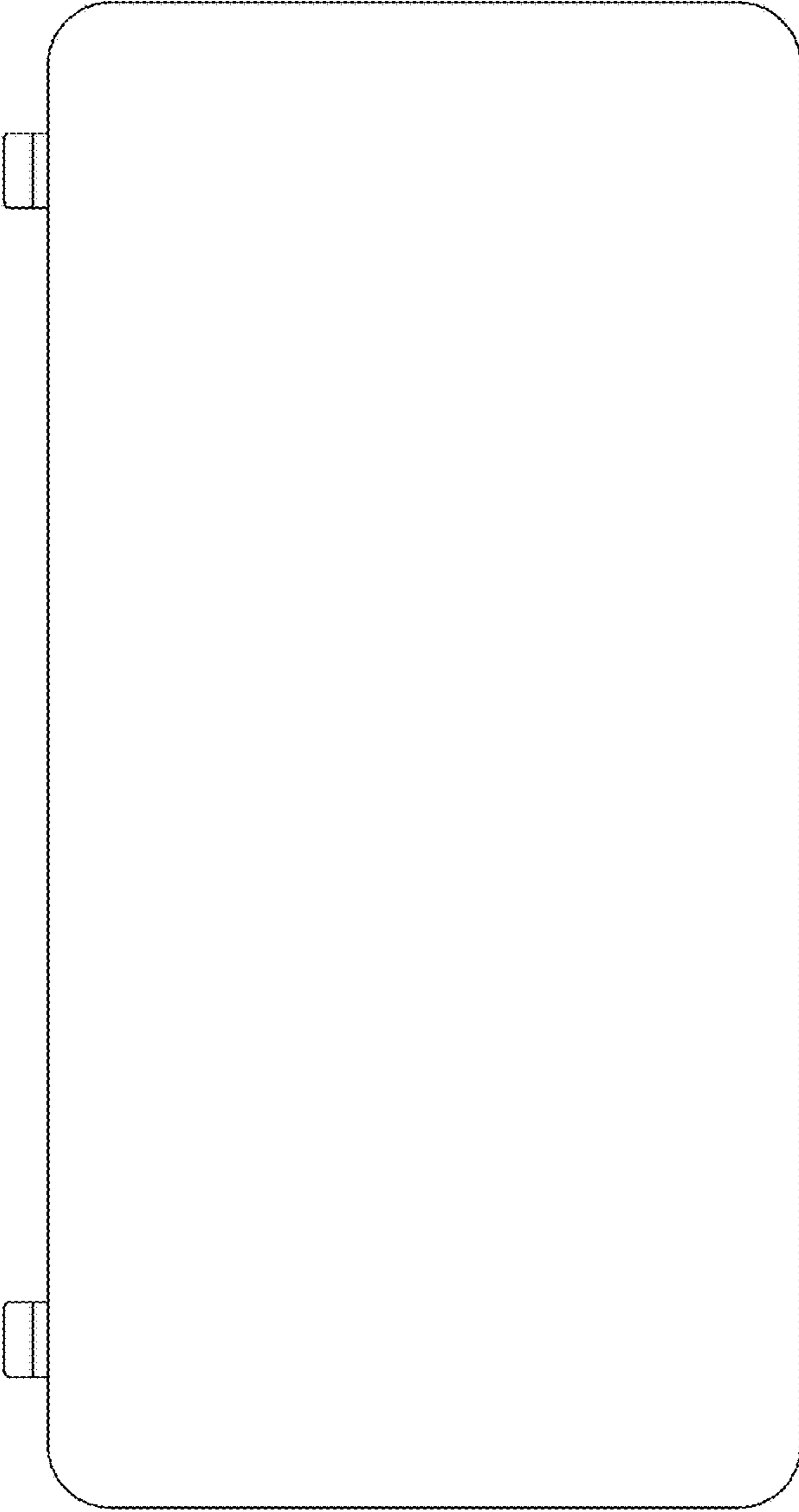


FIG.11

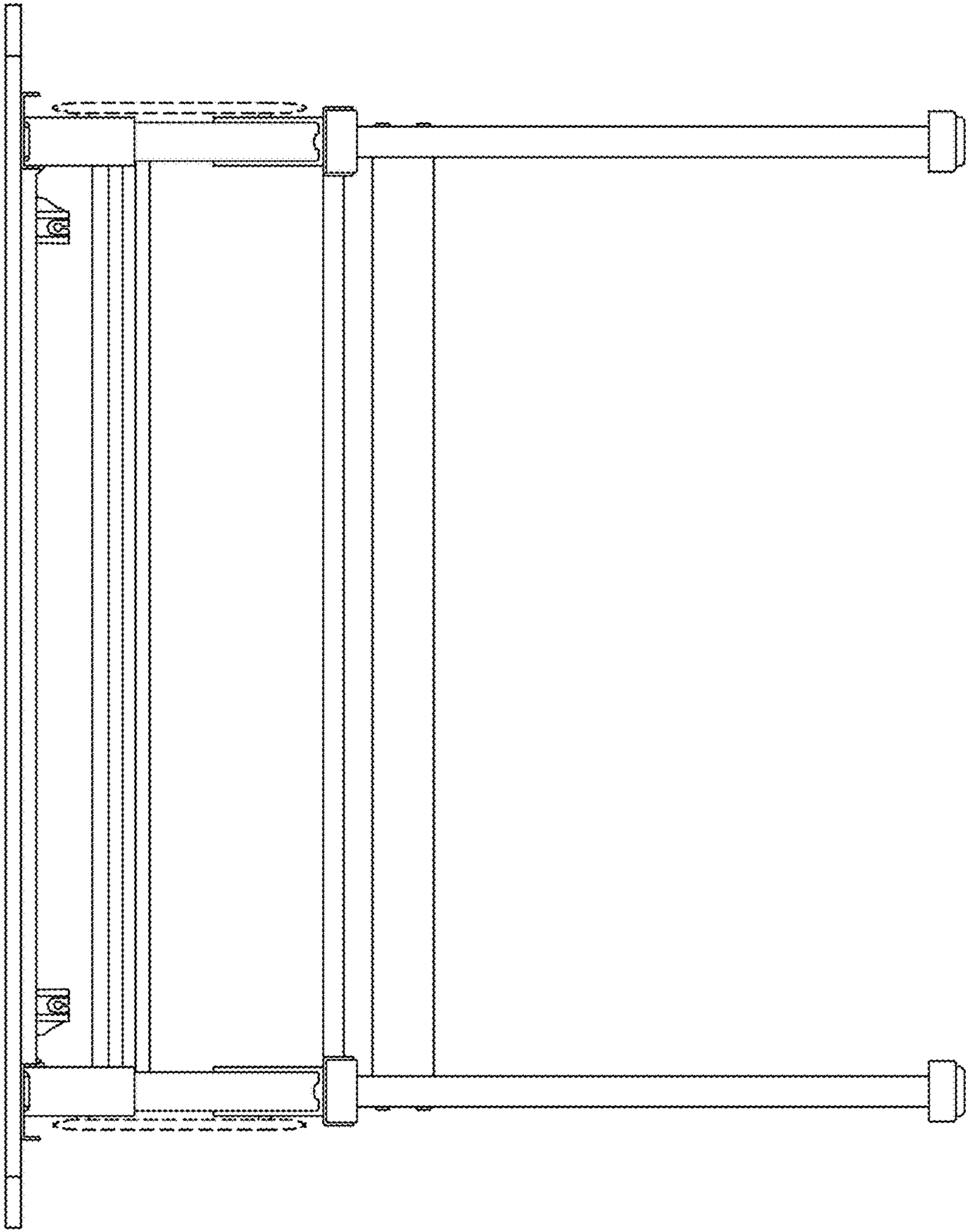


FIG.12

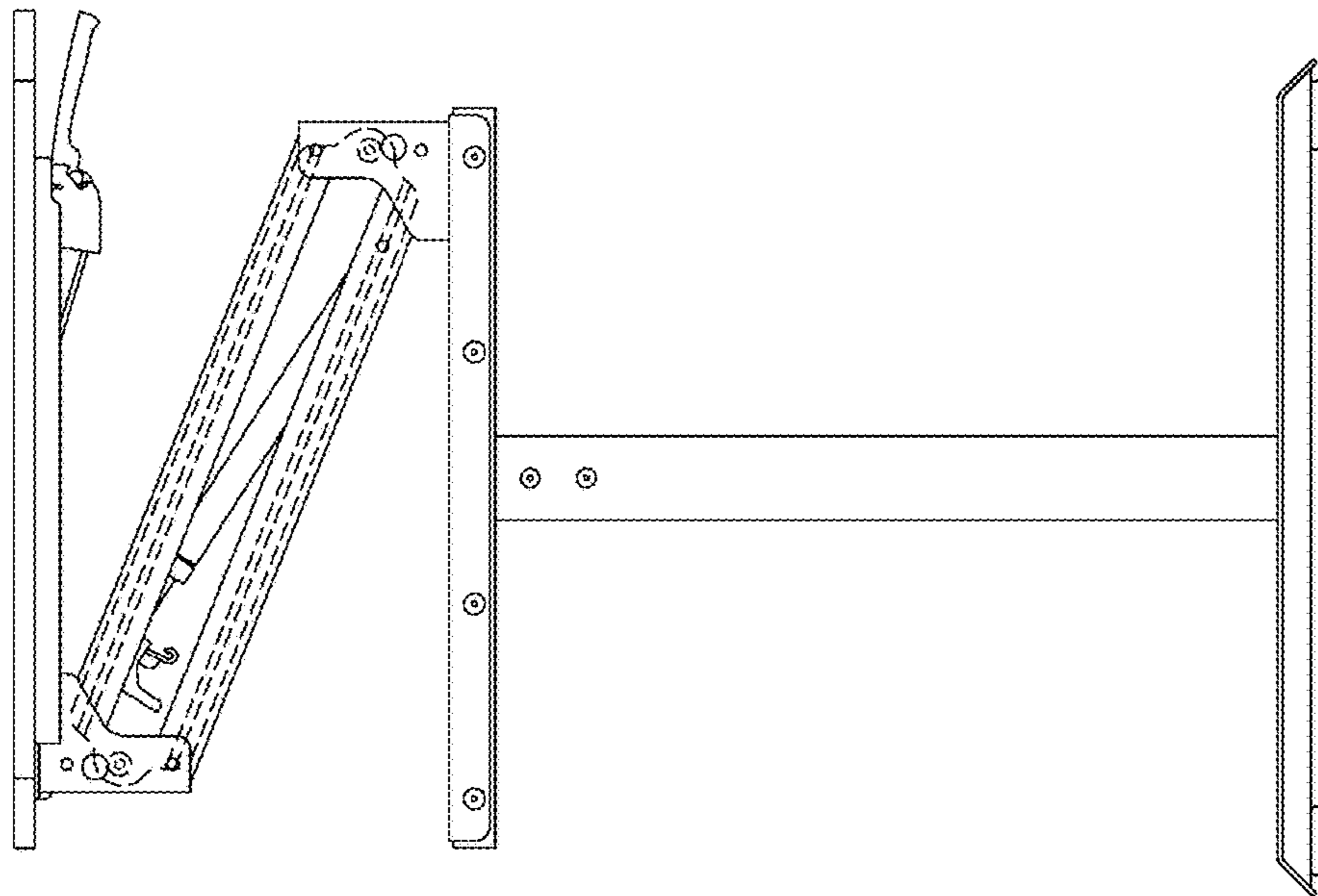


FIG.13

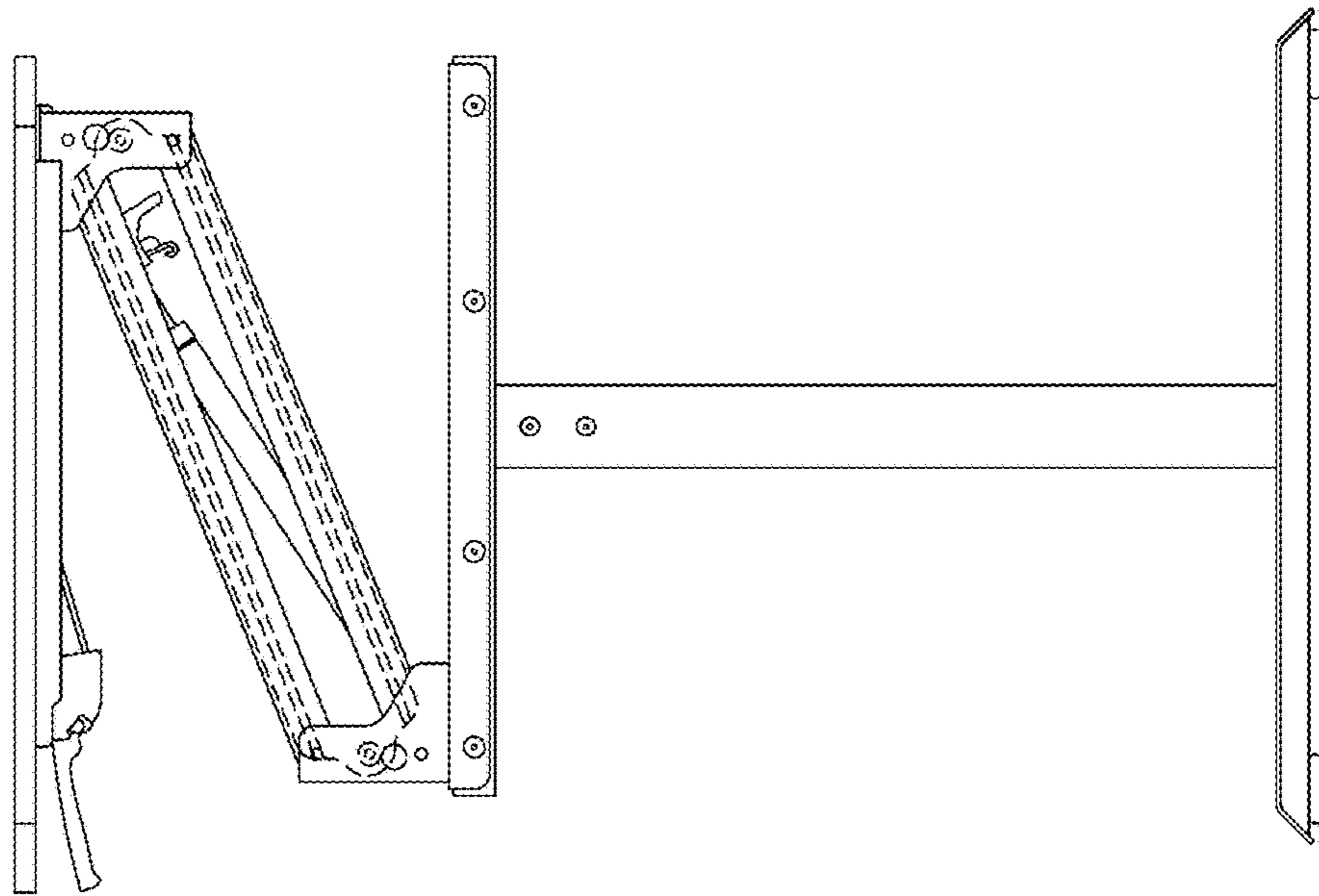


FIG.14