



US00D846911S

(12) **United States Design Patent** (10) **Patent No.:** **US D846,911 S**
Zhadanov et al. (45) **Date of Patent:** **** *Apr. 30, 2019**

(54) **CONTAINER FOR STORING AND DISPENSING LIQUID SOAP, SHAMPOO AND OTHER CLEANING SUBSTANCES**

(71) Applicants: **Eli Zhadanov**, Brooklyn, NY (US);
Sam Zhadanov, Brooklyn, NY (US)

(72) Inventors: **Eli Zhadanov**, Brooklyn, NY (US);
Sam Zhadanov, Brooklyn, NY (US)

(*) Notice: This patent is subject to a terminal disclaimer.

(**) Term: **15 Years**

(21) Appl. No.: **29/581,426**

(22) Filed: **Oct. 19, 2016**

(51) **LOC (11) Cl.** **23-02**

(52) **U.S. Cl.**
USPC **D6/545**

(58) **Field of Classification Search**
USPC D6/545, 663-664, 703, 703.1, 703.5,
D6/705.1; D24/170-171, 177, 185-186,
D24/184, 231; 210/147, 647
CPC B67D 1/001; B67D 1/06; A47K 7/04
See application file for complete search history.

(56) **References Cited**

U.S. PATENT DOCUMENTS

D481,896 S	*	11/2003	Shaanan	D6/545
D552,394 S	*	10/2007	Vanlane	D6/545
D552,395 S	*	10/2007	Vanlane	D6/545
D639,591 S	*	6/2011	Wallace	D6/545
D730,077 S	*	5/2015	Watson	D6/542

* cited by examiner

Primary Examiner — Wan Laymon
Assistant Examiner — Mark Booker

(74) *Attorney, Agent, or Firm* — Henry M Feiereisen LLC

(57) **CLAIM**

The ornamental design for a container for storing and dispensing liquid soap, shampoo and other cleaning substances, as shown and described.

DESCRIPTION

FIG. 1 is a perspective view of a new a container for storing and dispensing liquid soap, shampoo and other cleaning substances with a closed cover in accordance with my design;

FIG. 2 is a perspective view of a new a container for storing and dispensing liquid soap, shampoo and other cleaning substances with the open cover in accordance with my design;

FIG. 3 is a front side view of the new container for storing and dispensing liquid soap, shampoo and other cleaning substances shown in FIG. 1 in accordance with my design;

FIG. 4 is a right side view of the new container for storing and dispensing liquid soap, shampoo and other cleaning substances shown in FIG. 1 in accordance with my design;

FIG. 5 is a bottom plan view of the new container for storing and dispensing liquid soap, shampoo and other cleaning substances shown in FIG. 1 in accordance with my design;

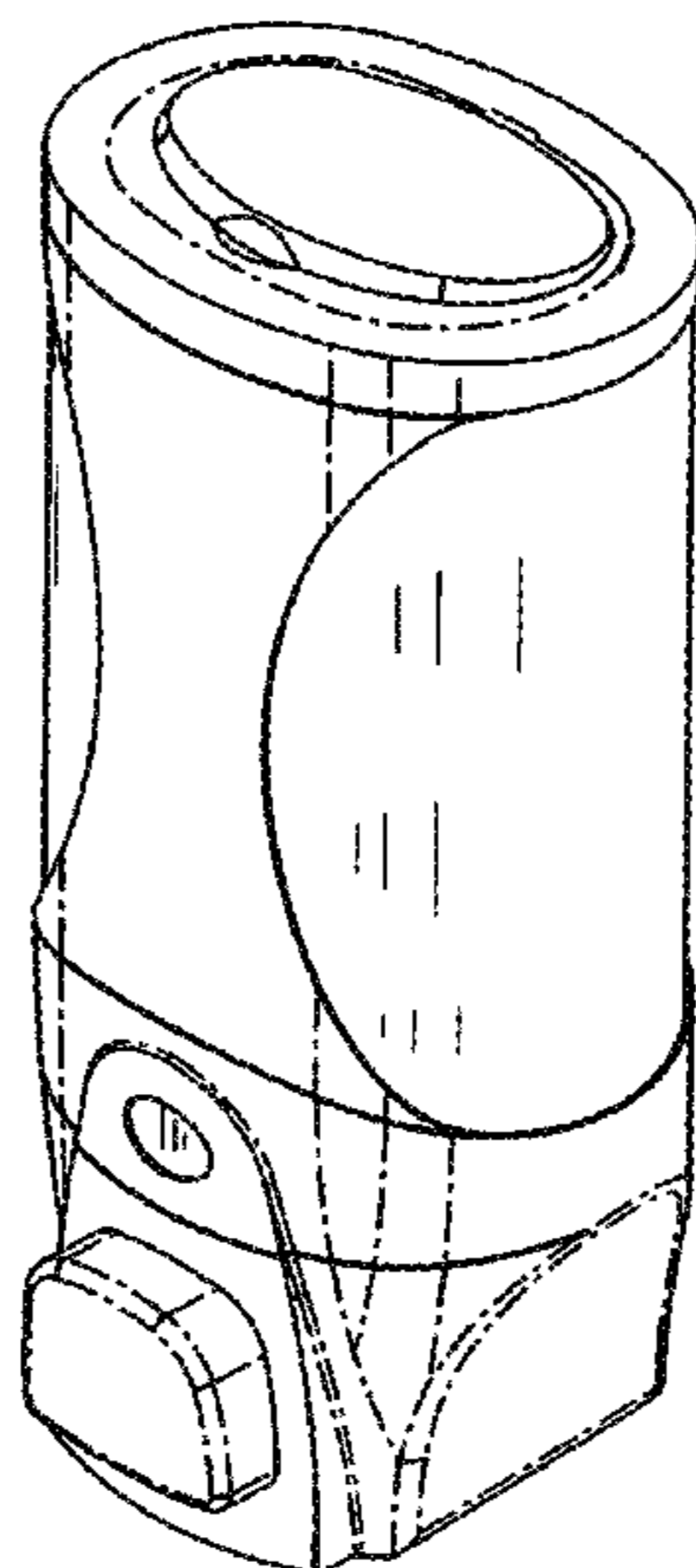
FIG. 6 is a left side view of the new container for storing and dispensing liquid soap, shampoo and other cleaning substances shown in FIG. 1 in accordance with my design;

FIG. 7 is a rear side view of the new container for storing and dispensing liquid soap, shampoo and other cleaning substances shown in FIG. 1 in accordance with my design; and,

FIG. 8 is a top plan view of the new container for storing and dispensing liquid soap, shampoo and other cleaning substances shown in FIG. 1 in accordance with my design.

The broken line showing in the figures is included for the purpose of illustrating portions of the container for storing and dispensing liquid soap, shampoo and other cleaning substances and form no part of the claimed design.

1 Claim, 4 Drawing Sheets



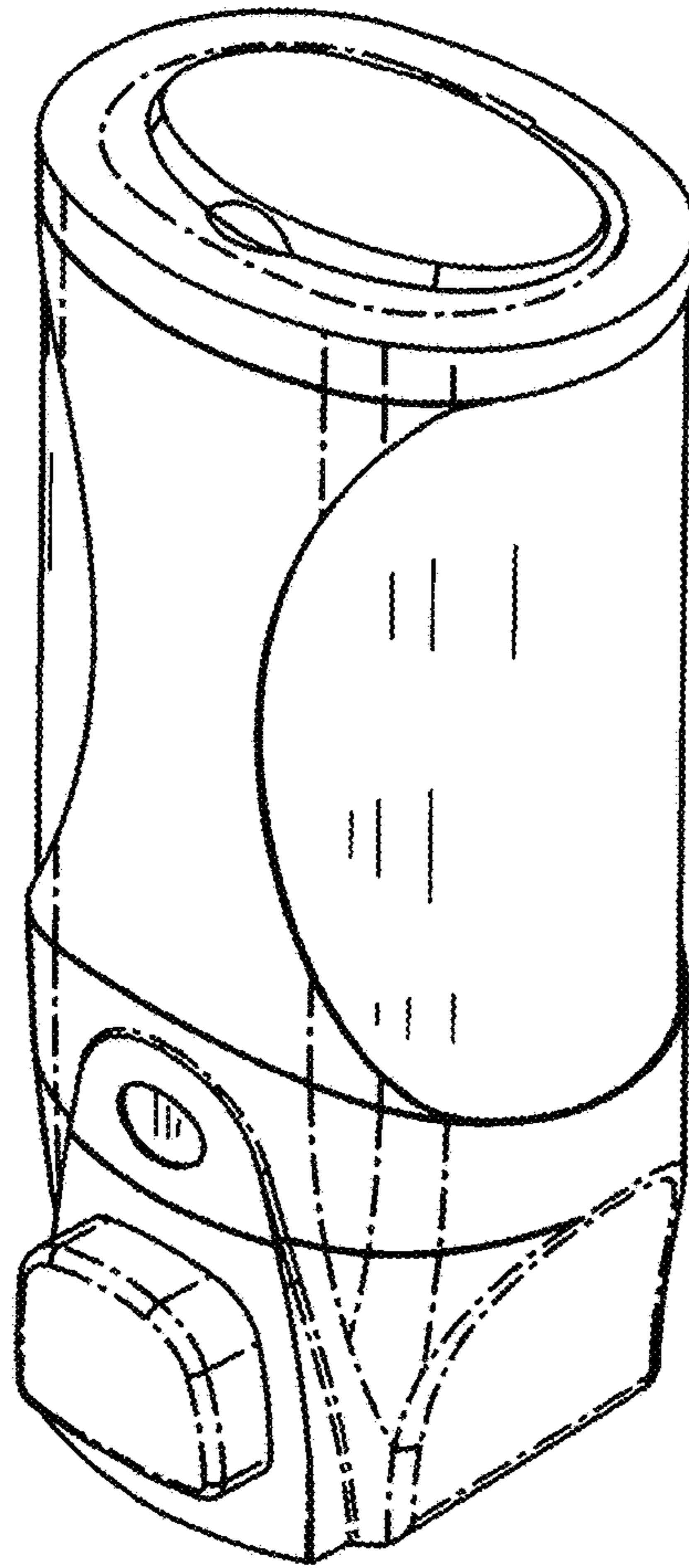


FIG. 1

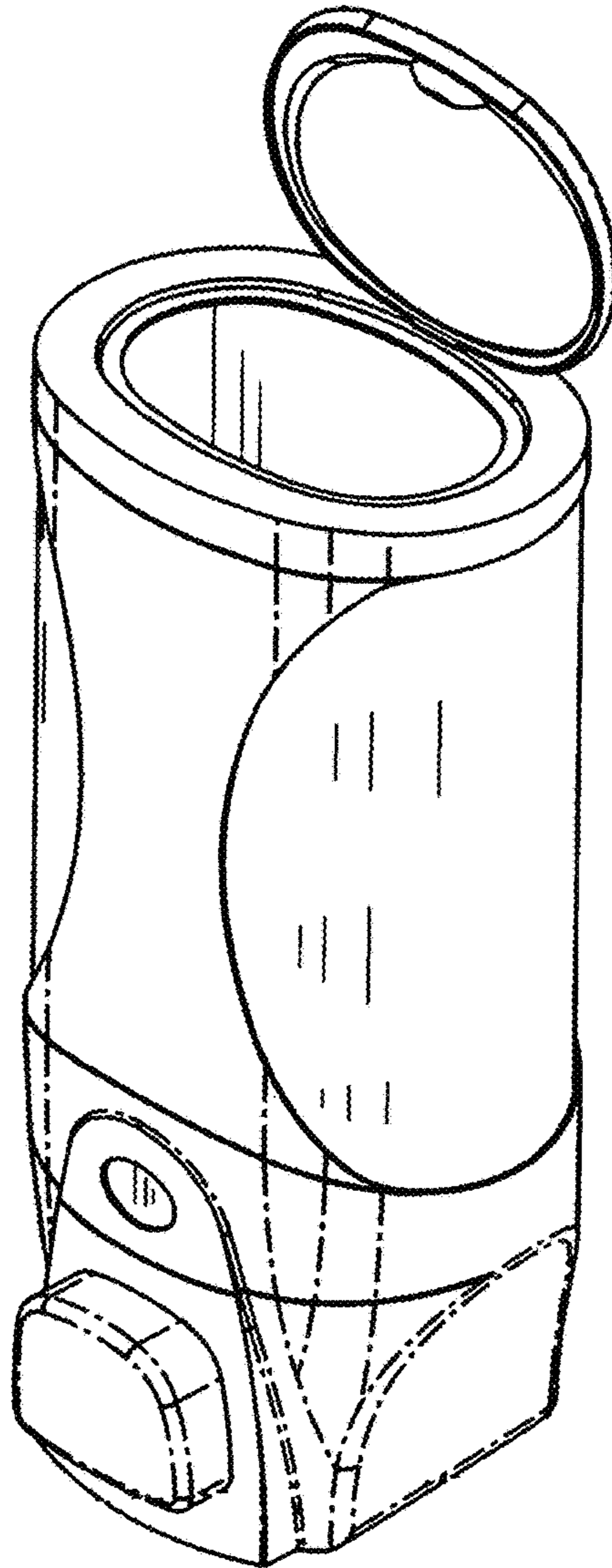


FIG. 2

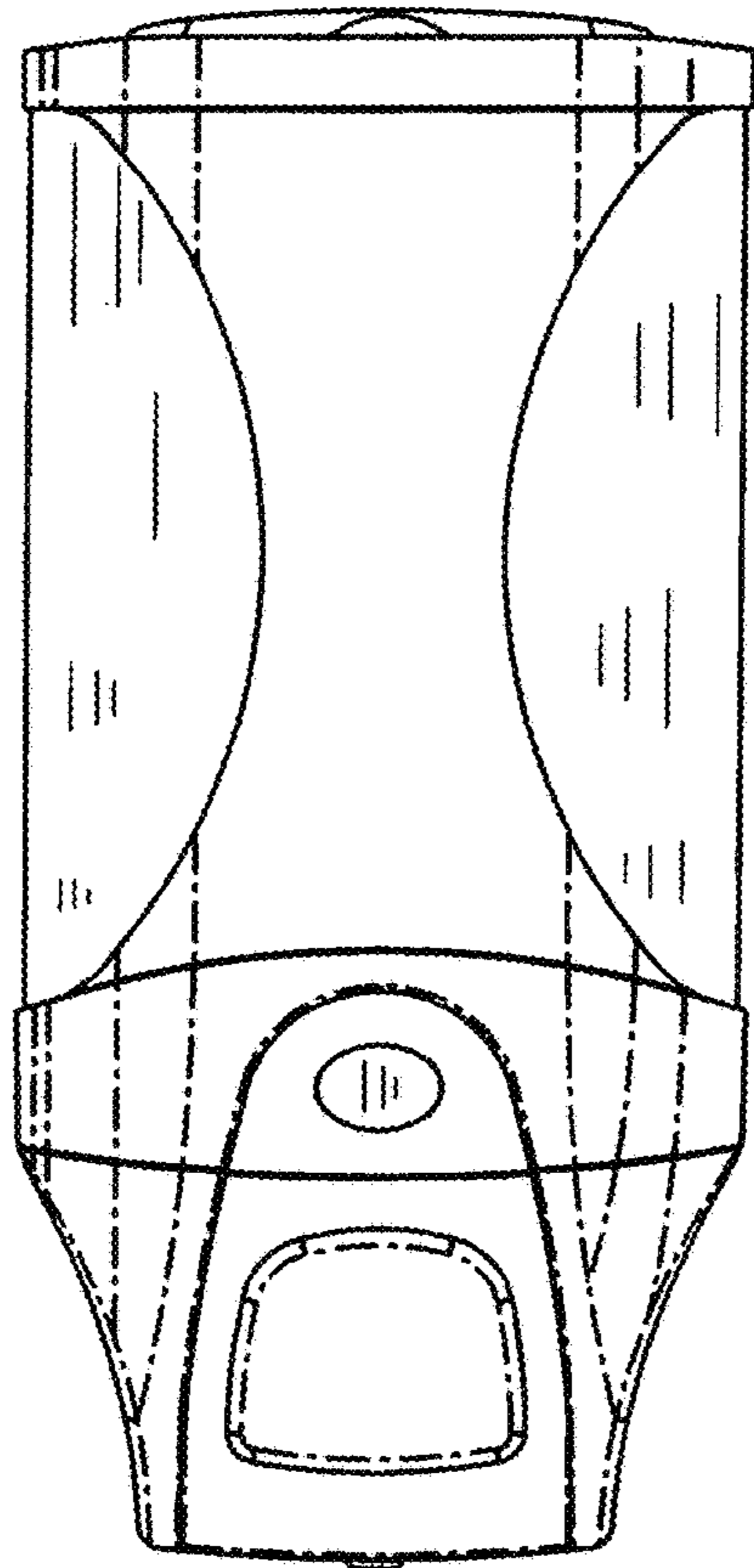


FIG. 3

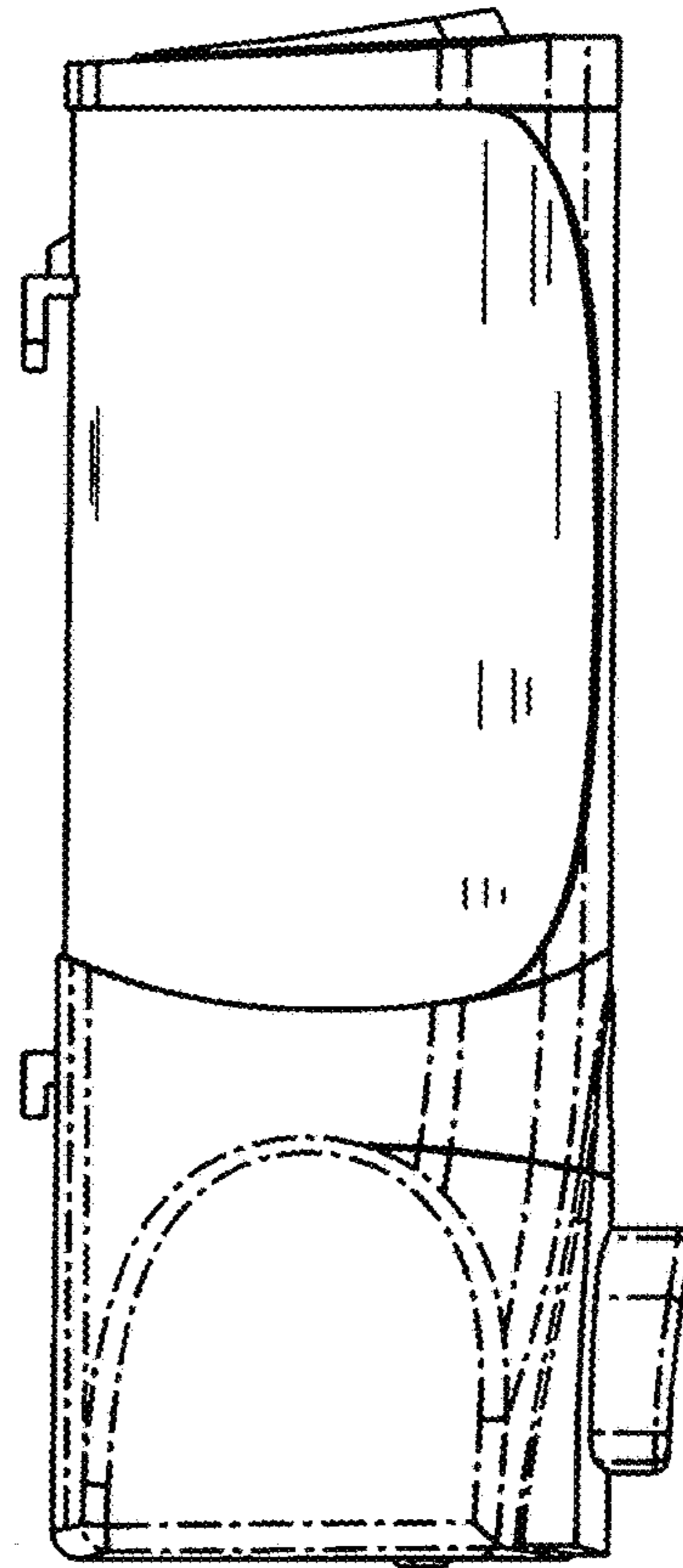


FIG. 4

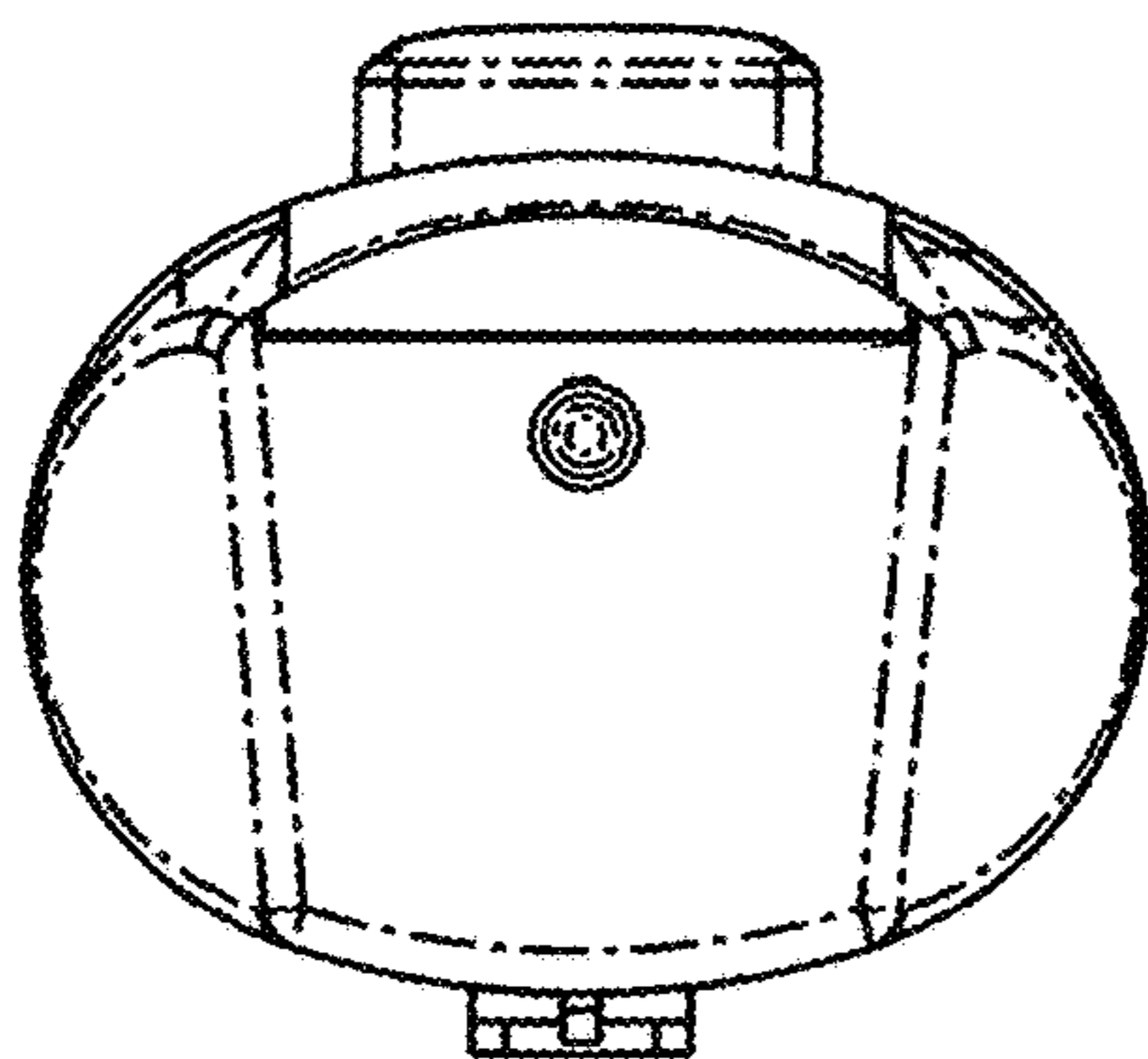


FIG. 5

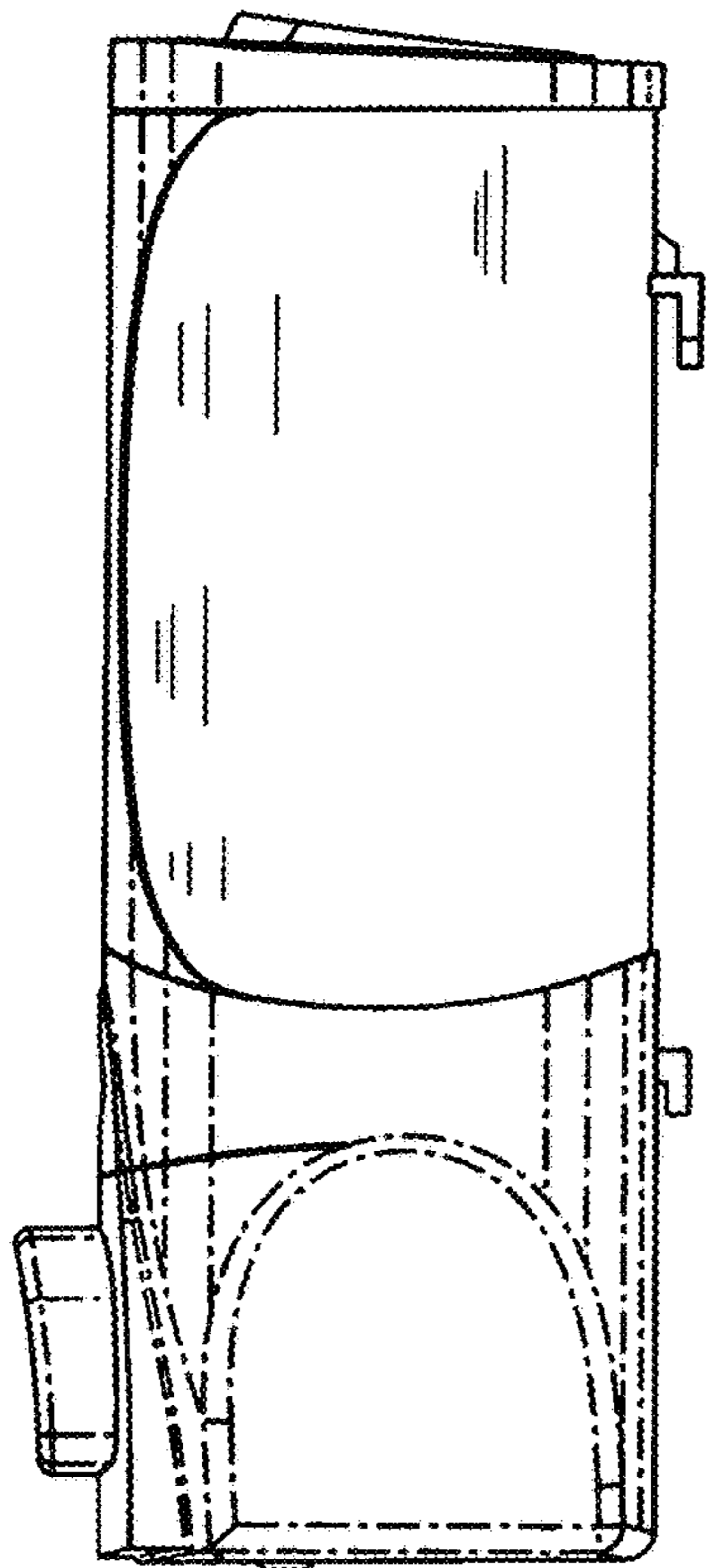


FIG. 6

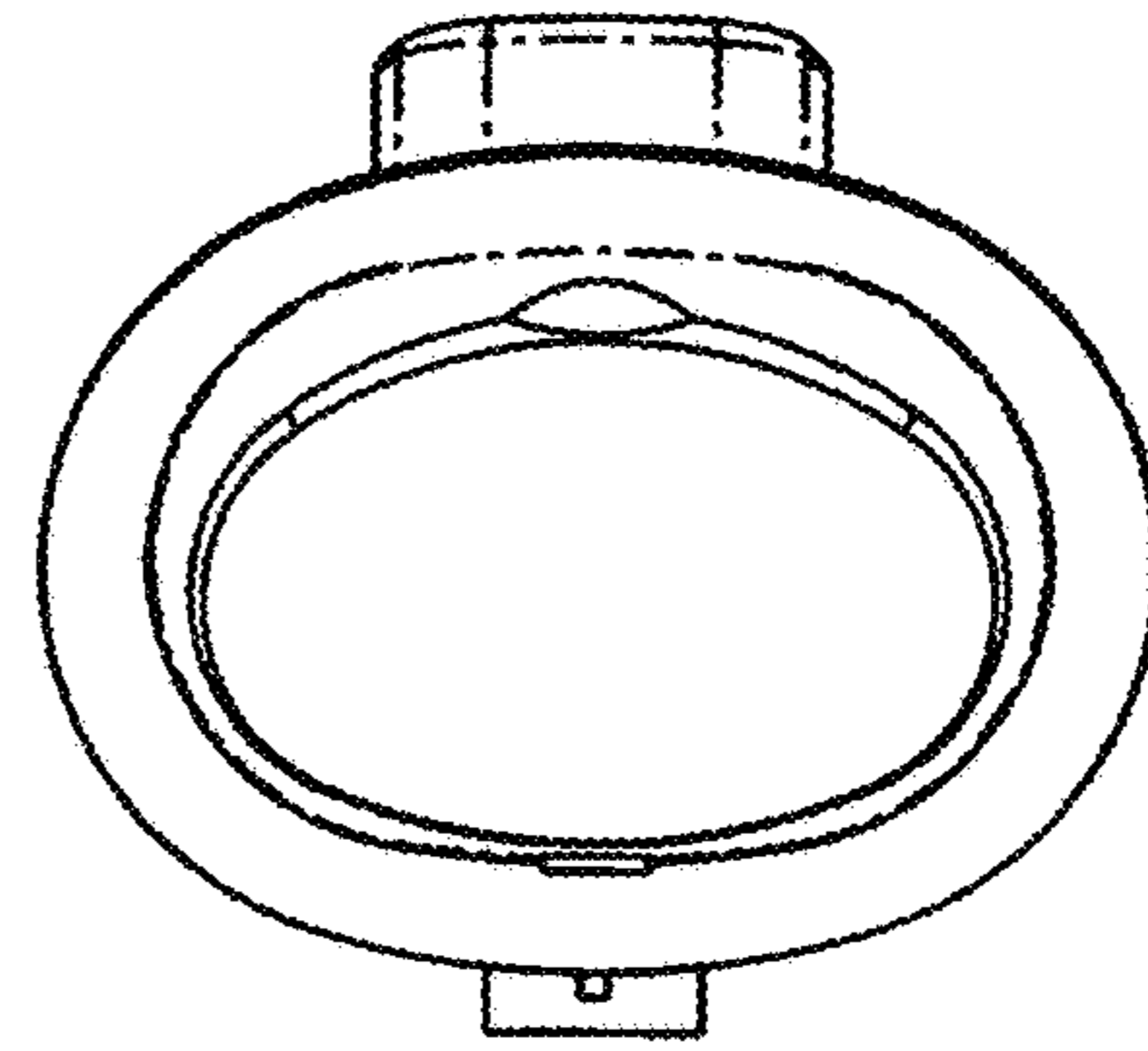


FIG. 8

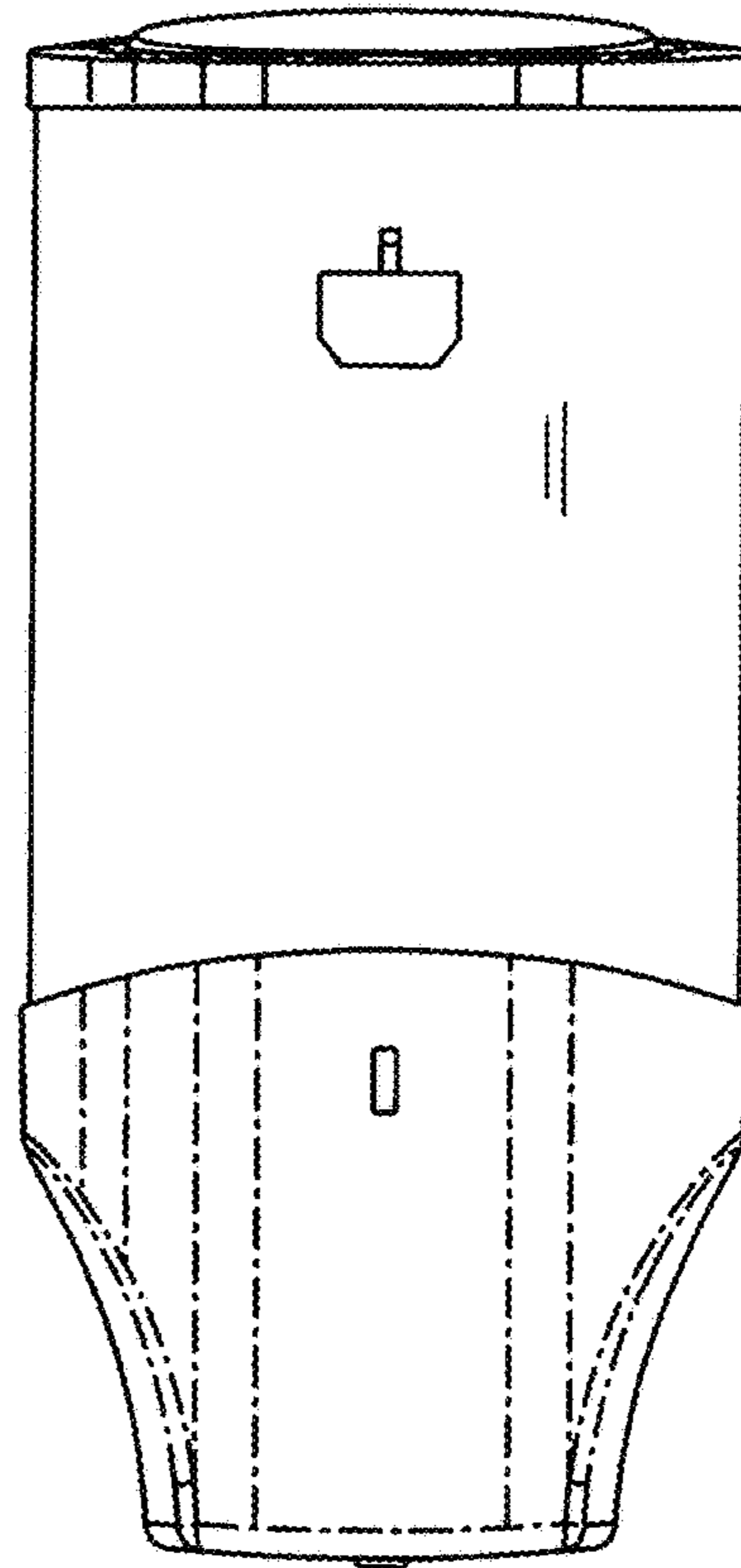


FIG. 7