



US00D846909S

(12) **United States Design Patent** (10) **Patent No.:** **US D846,909 S**
Swy (45) **Date of Patent:** **** Apr. 30, 2019**

(54) **CHAIR**

D663,131 S * 7/2012 Barefoot D6/374
D730,069 S * 5/2015 Thuma D6/336
D802,958 S * 11/2017 Lowsky D6/379

(Continued)

(71) Applicant: **Michigan Tube Swagers & Fabricators, Inc.**, Temperance, MI (US)

Primary Examiner — Robin V Webster

(72) Inventor: **Joshua Paul Swy**, Lambertville, MI (US)

Assistant Examiner — Keith J Wilson

(74) *Attorney, Agent, or Firm* — Dinsmore & Shohl LLP

(73) Assignee: **Michigan Tube Swagers & Fabricators, Inc.**, Temperance, MI (US)

(57) **CLAIM**

The ornamental design for a chair, as shown and described.

(**) Term: **15 Years**

DESCRIPTION

(21) Appl. No.: **29/564,380**

(22) Filed: **May 12, 2016**

(51) **LOC (11) Cl.** **06-01**

(52) **U.S. Cl.**
USPC **D6/380**

(58) **Field of Classification Search**
USPC D6/334-336, 356, 367, 372, 375, 379, D6/380, 384, 716, 716.1, 716.2, 716.7
CPC A47C 1/00; A47C 3/00; A47C 3/12; A47C 5/00; A47C 5/0125; A47C 7/00; A47C 7/02; A47C 7/16; A47C 7/36; A47C 7/40; A47C 15/00; B60N 3/004; B60N 2/075; B60N 2/4879; B60N 2/70; B64D 11/06
See application file for complete search history.

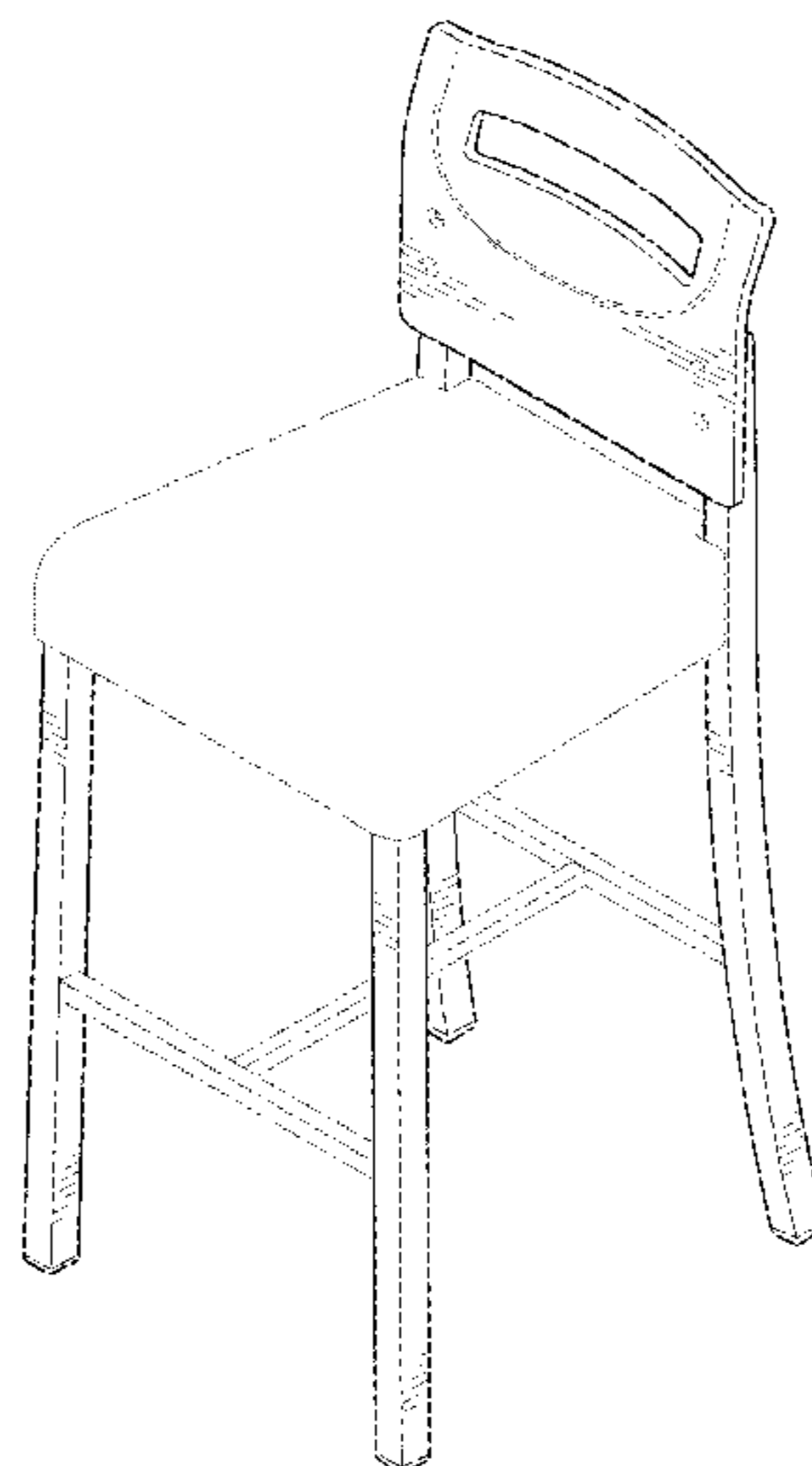
FIG. 1 is a perspective view of a first embodiment of a chair in accordance with the present invention;
FIG. 2 is a front view of the chair of FIG. 1;
FIG. 3 is a rear view of the chair of FIGS. 1-2;
FIG. 4 is a side view of the chair of FIGS. 1-3, the opposite side being a mirror image thereof;
FIG. 5 is a top view of the chair of FIGS. 1-4;
FIG. 6 is a bottom view of the chair of FIGS. 1-5;
FIG. 7 is a perspective view of a second embodiment of a chair in accordance with the present invention;
FIG. 8 is a front view of the chair of FIG. 7;
FIG. 9 is a rear view of the chair of FIGS. 7-8;
FIG. 10 is a side view of the chair of FIGS. 7-9, the opposite side being a mirror image thereof;
FIG. 11 is a top view of the chair of FIGS. 7-10;
FIG. 12 is a bottom view of the chair of FIGS. 7-11;
FIG. 13 is a perspective view of a third embodiment of a chair in accordance with the present invention;
FIG. 14 is a front view of the chair of FIG. 13;
FIG. 15 is a rear view of the chair of FIGS. 13-14;
FIG. 16 is a side view of the chair of FIGS. 13-15, the opposite side being a mirror image thereof;
FIG. 17 is a top view of the chair of FIGS. 13-16; and,
FIG. 18 is a bottom view of the chair of FIGS. 13-17.
The broken lines shown in the figures are for environmental purposes only and form no part of the claimed design.

(56) **References Cited**

U.S. PATENT DOCUMENTS

D396,563 S * 8/1998 Meijer D6/334
D431,380 S * 10/2000 Hutton D6/360
D432,806 S * 10/2000 Gomez D6/379
D443,151 S * 6/2001 Frinier D6/379
D524,072 S * 7/2006 King D6/379
D580,676 S * 11/2008 Cramer D6/379
D648,557 S * 11/2011 Frinier D6/369
D661,918 S * 6/2012 Ciani D6/375

1 Claim, 18 Drawing Sheets



(56)

References Cited

U.S. PATENT DOCUMENTS

D805,316 S * 12/2017 Lowsky D6/379
D810,457 S * 2/2018 Natuzzi D6/379
D821,770 S * 7/2018 Dassen D6/375

* cited by examiner

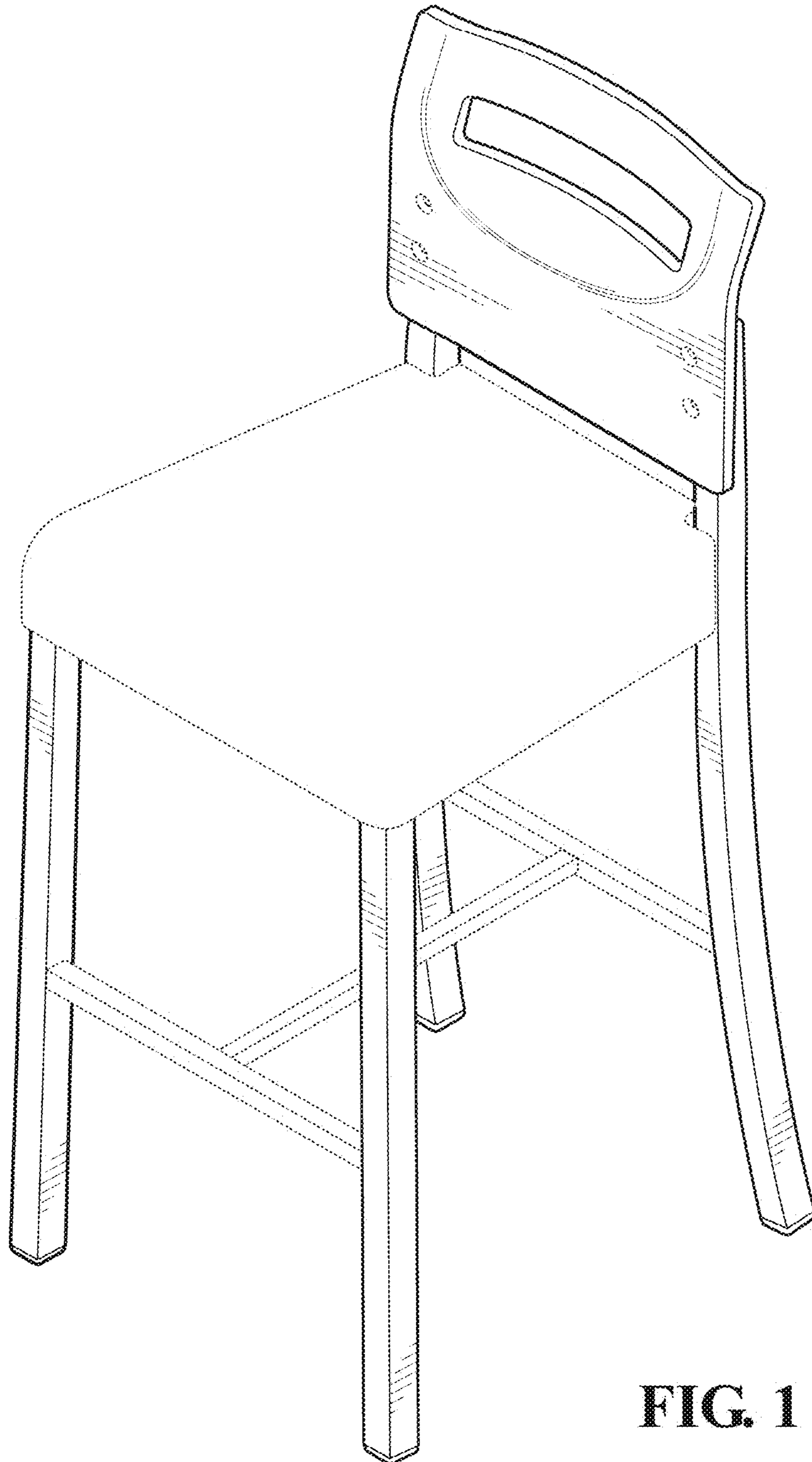


FIG. 1

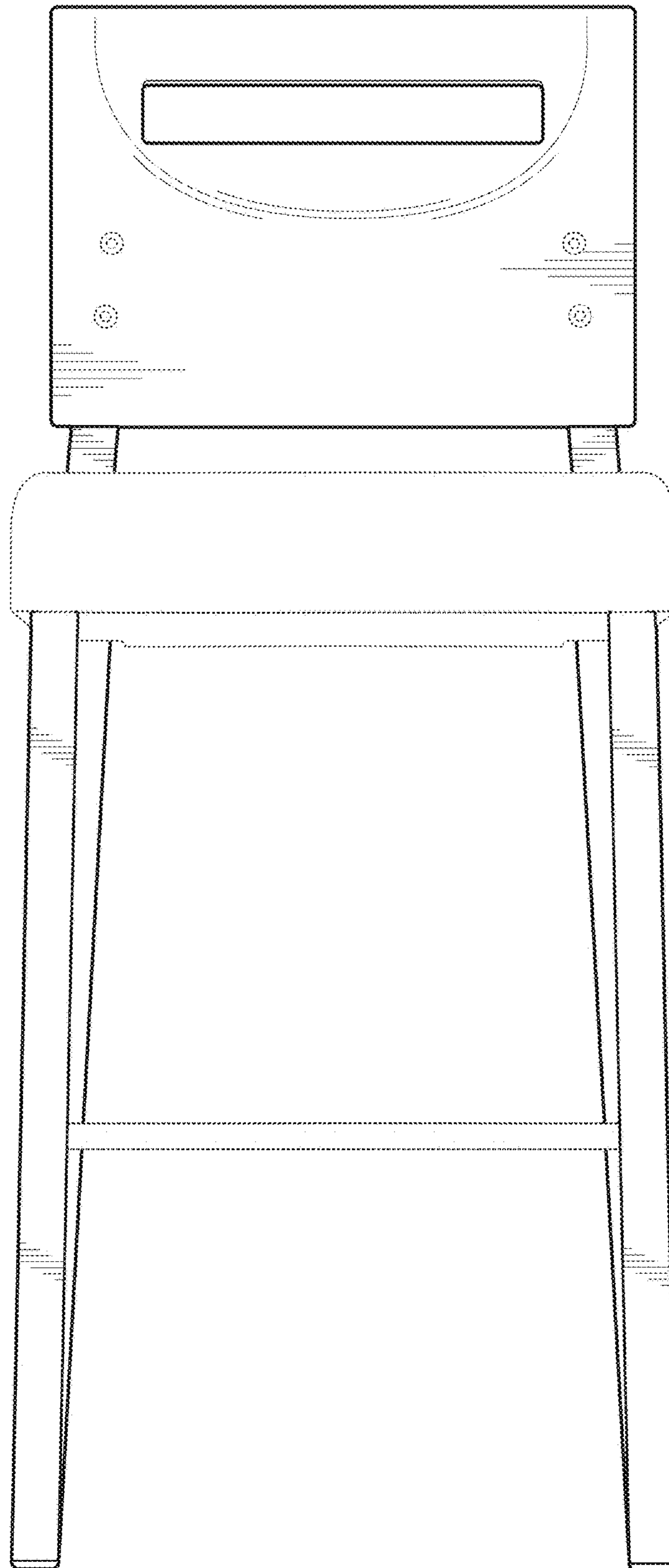


FIG. 2

FIG. 3

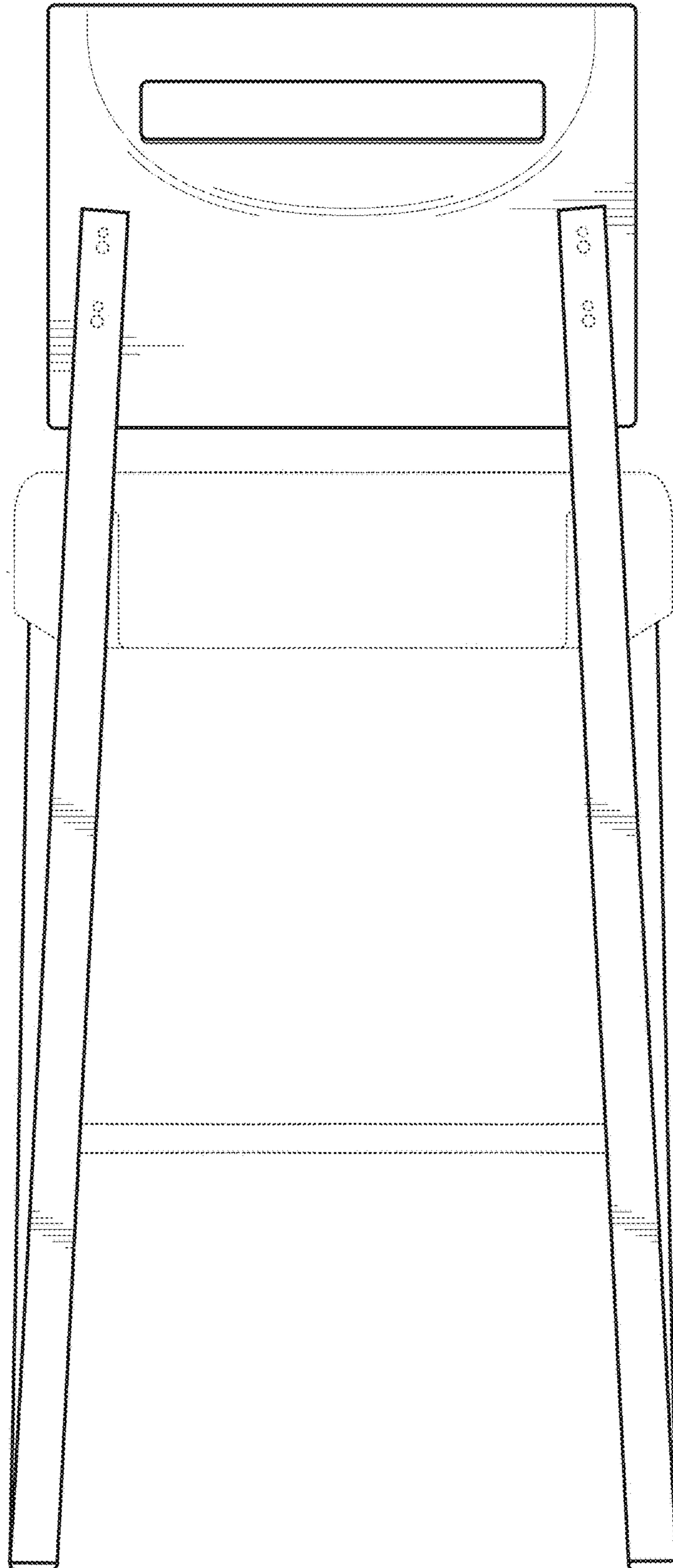
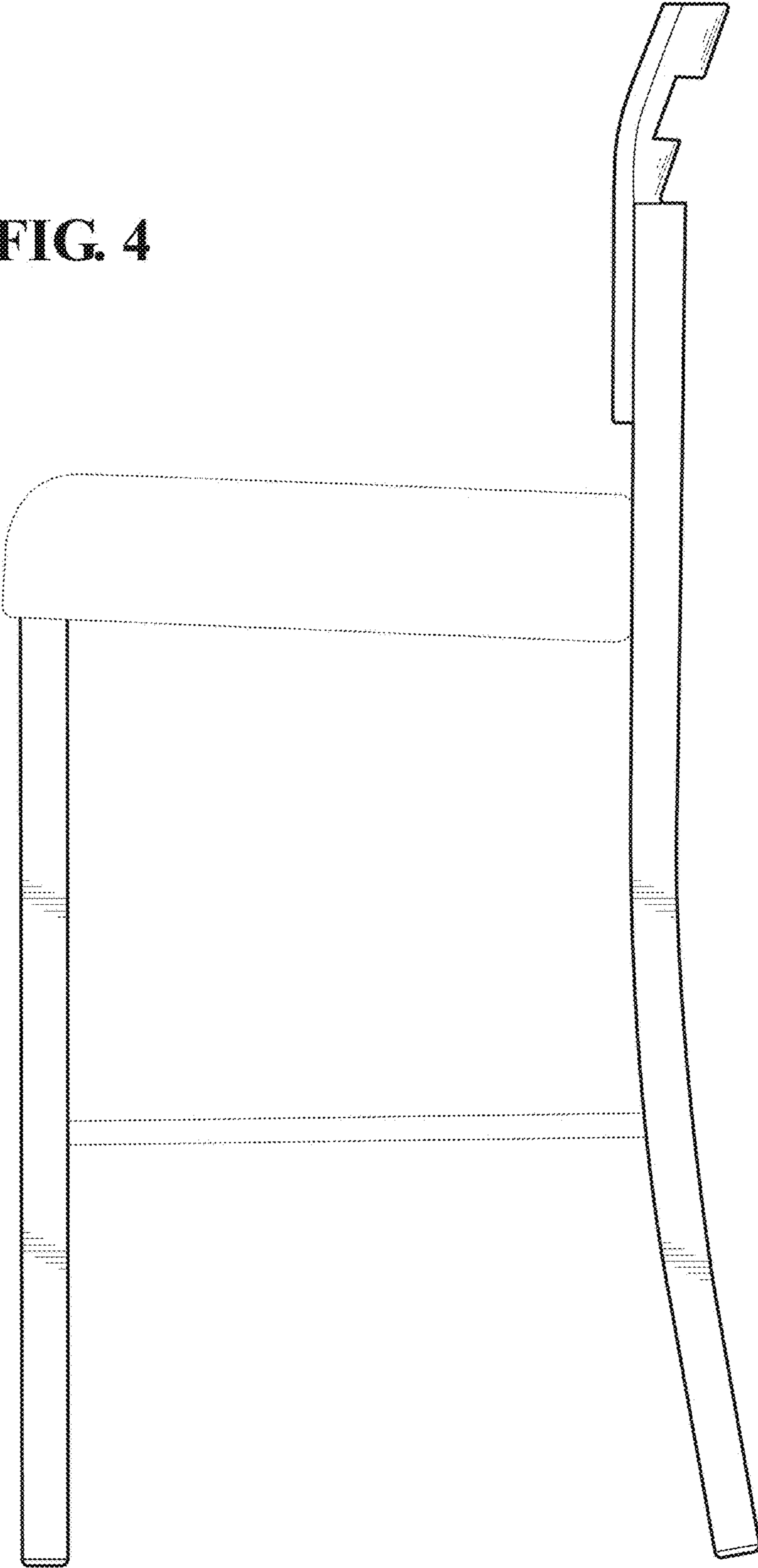


FIG. 4



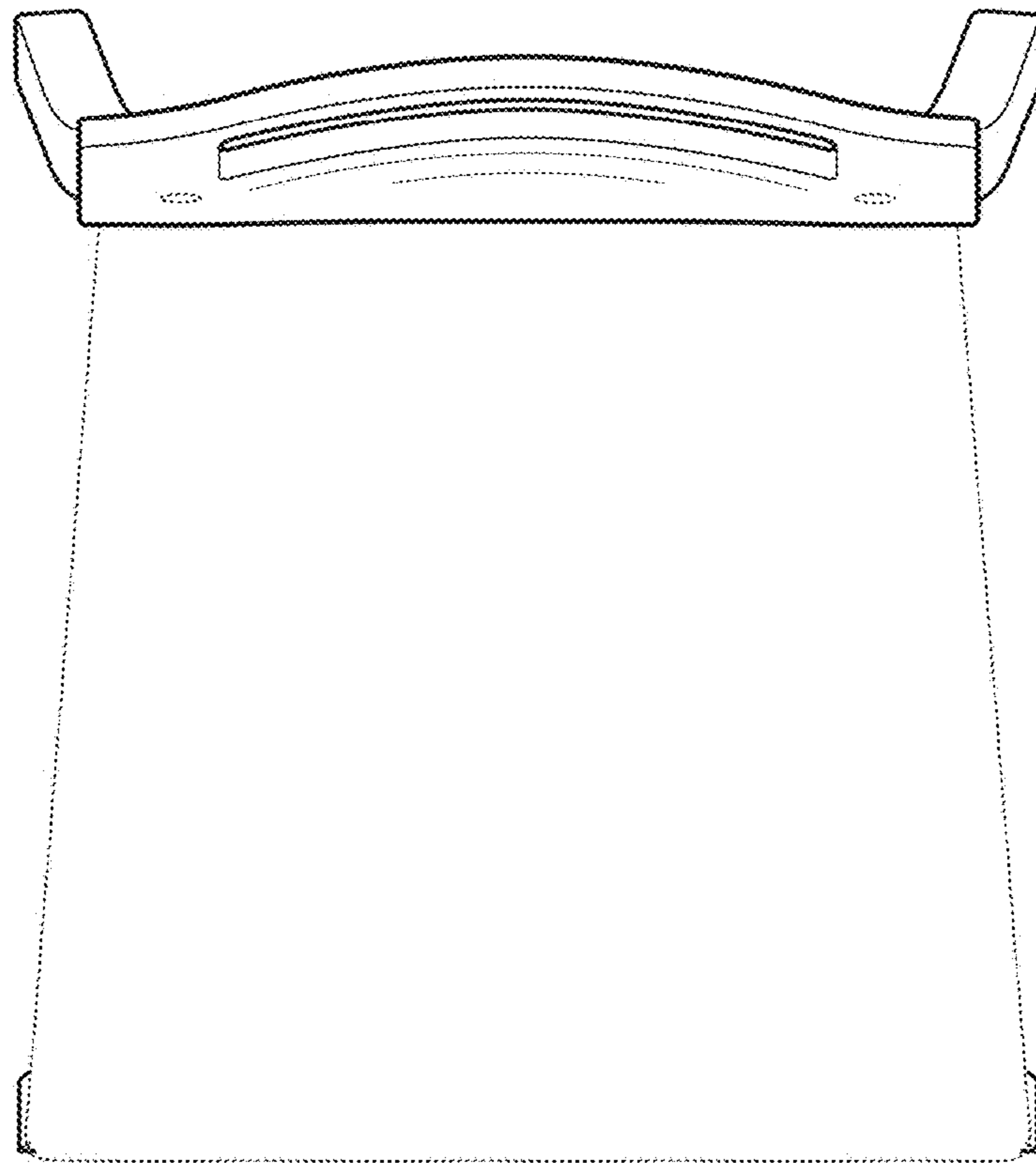


FIG. 5

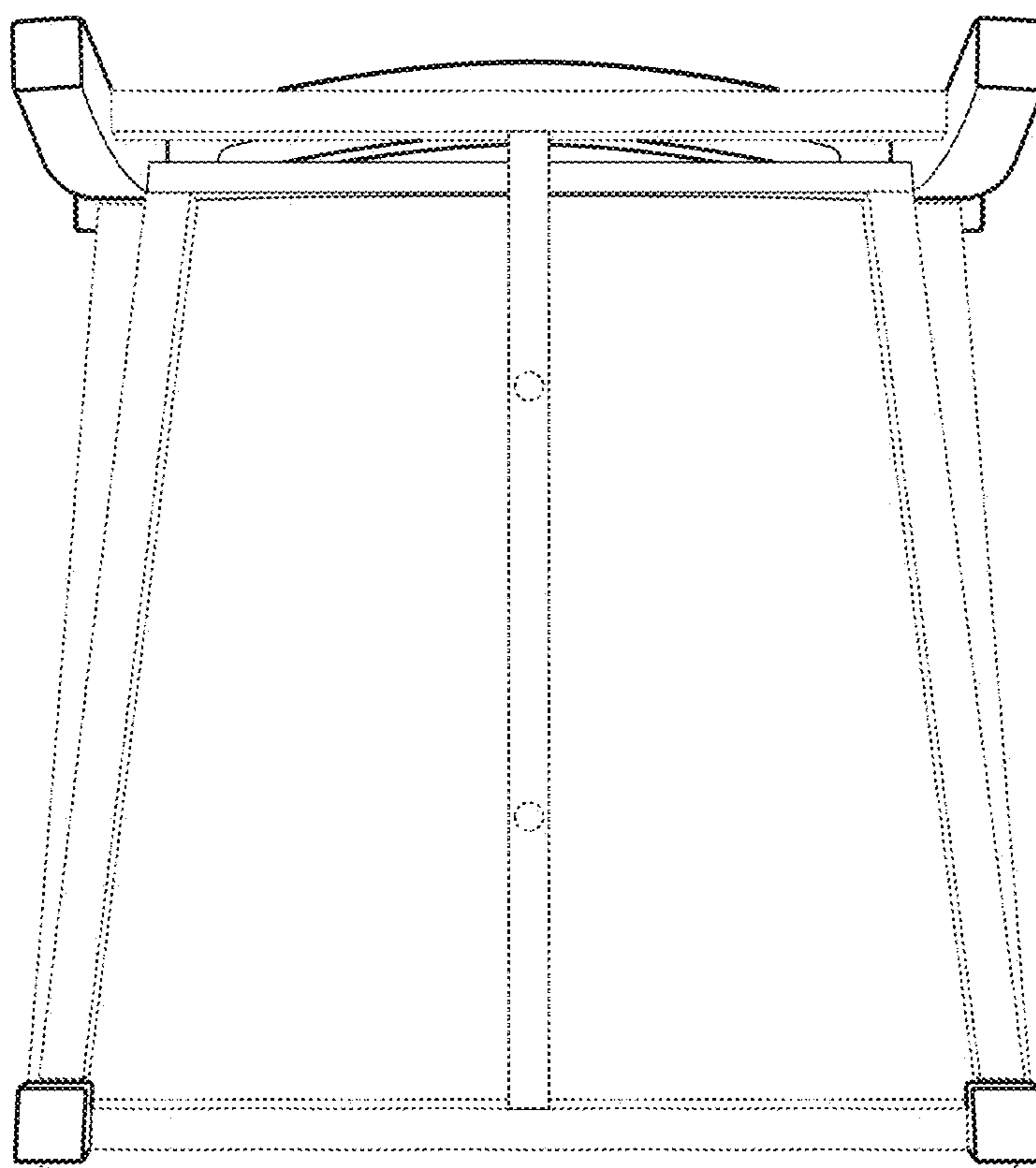


FIG. 6

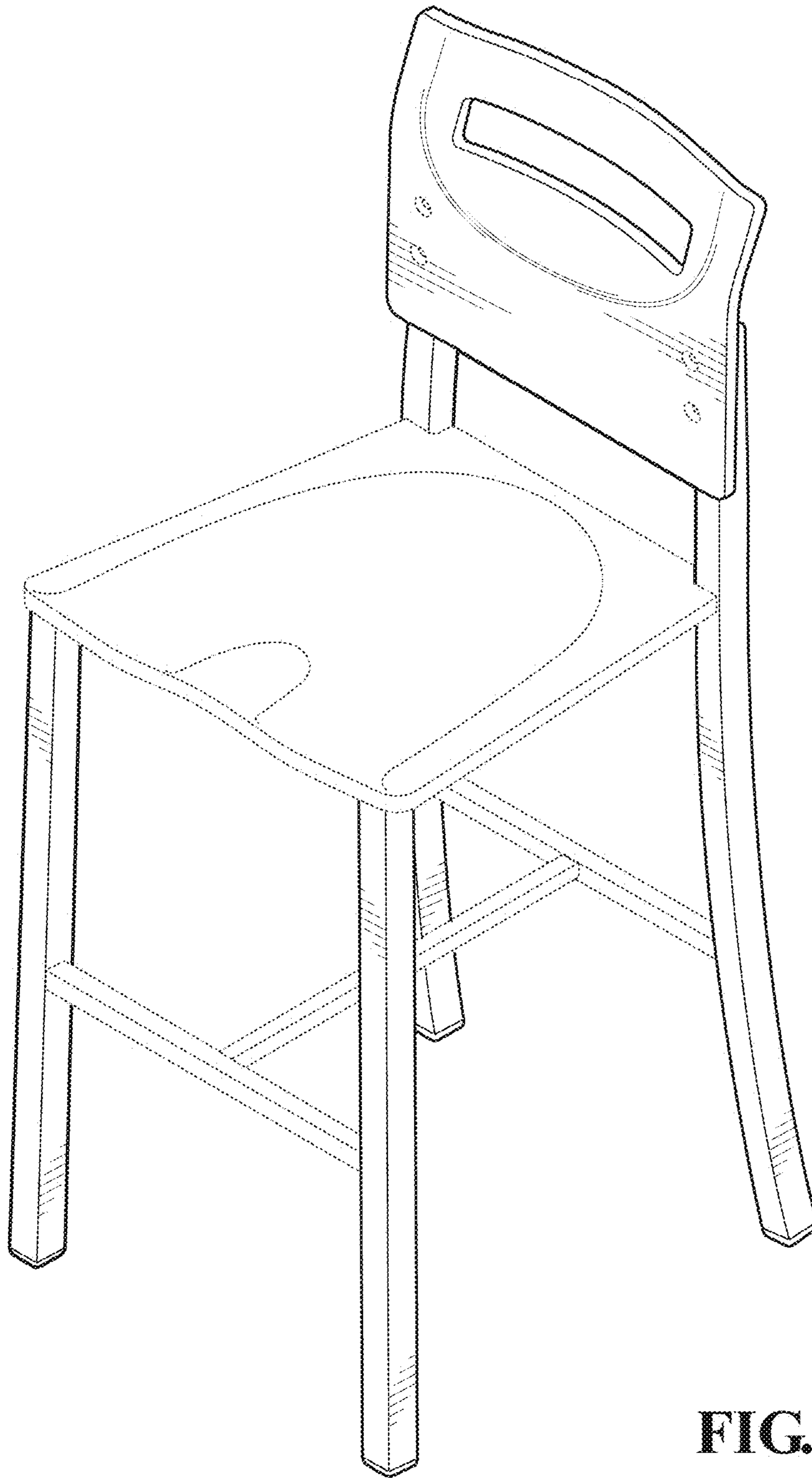


FIG. 7

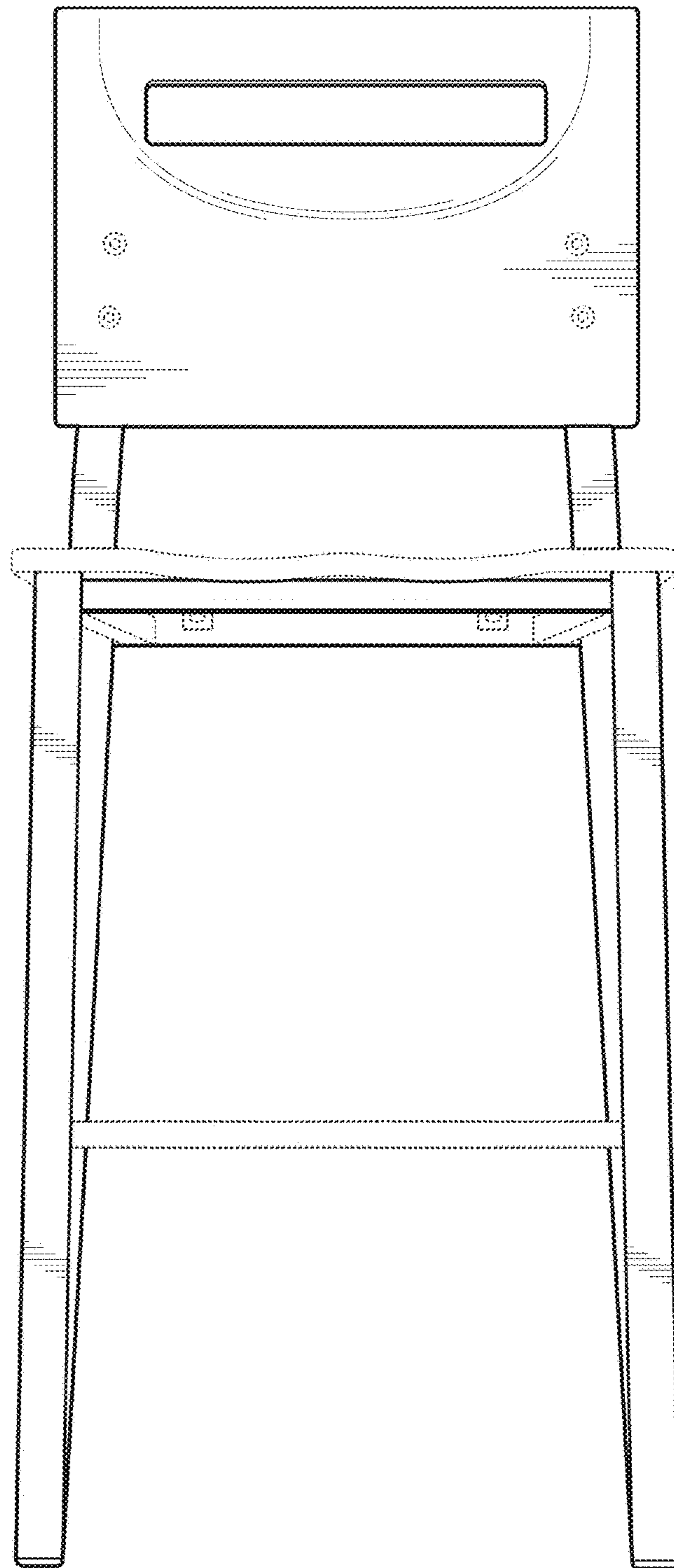


FIG. 8

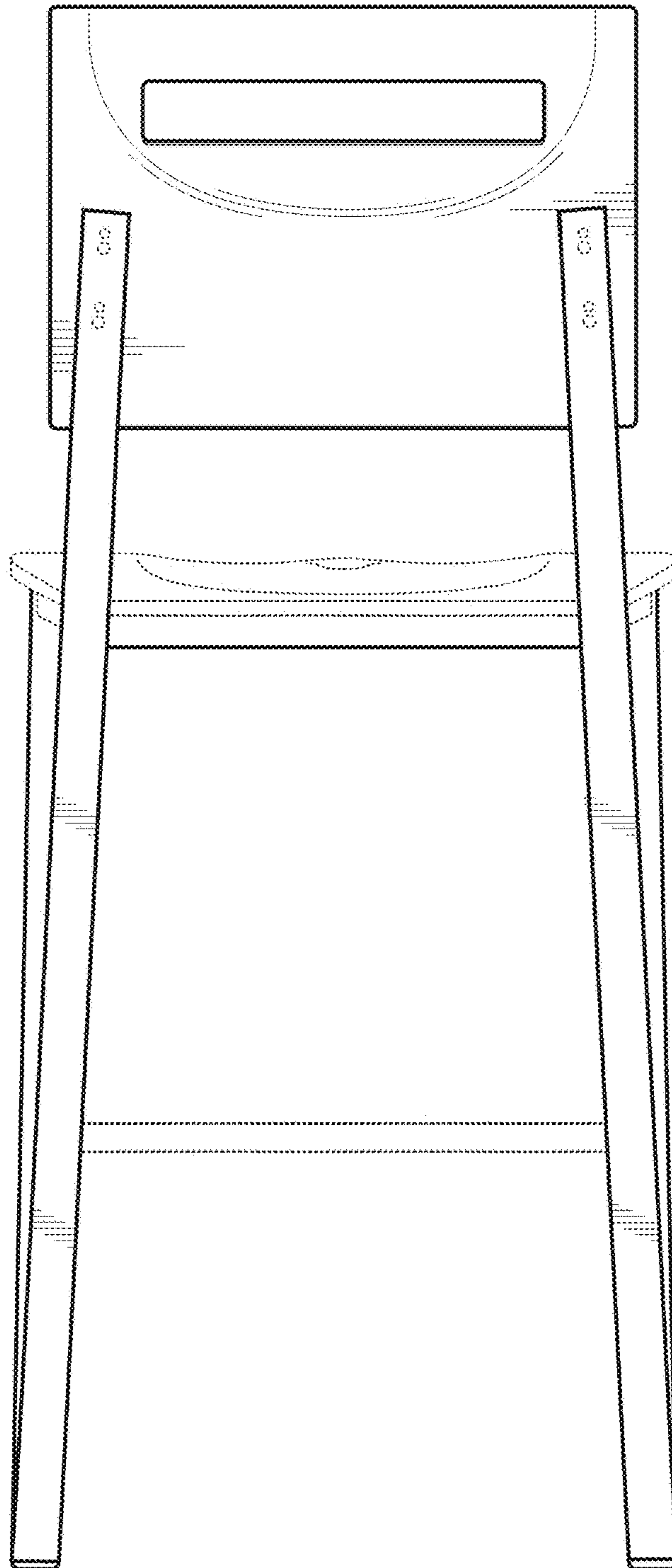


FIG. 9

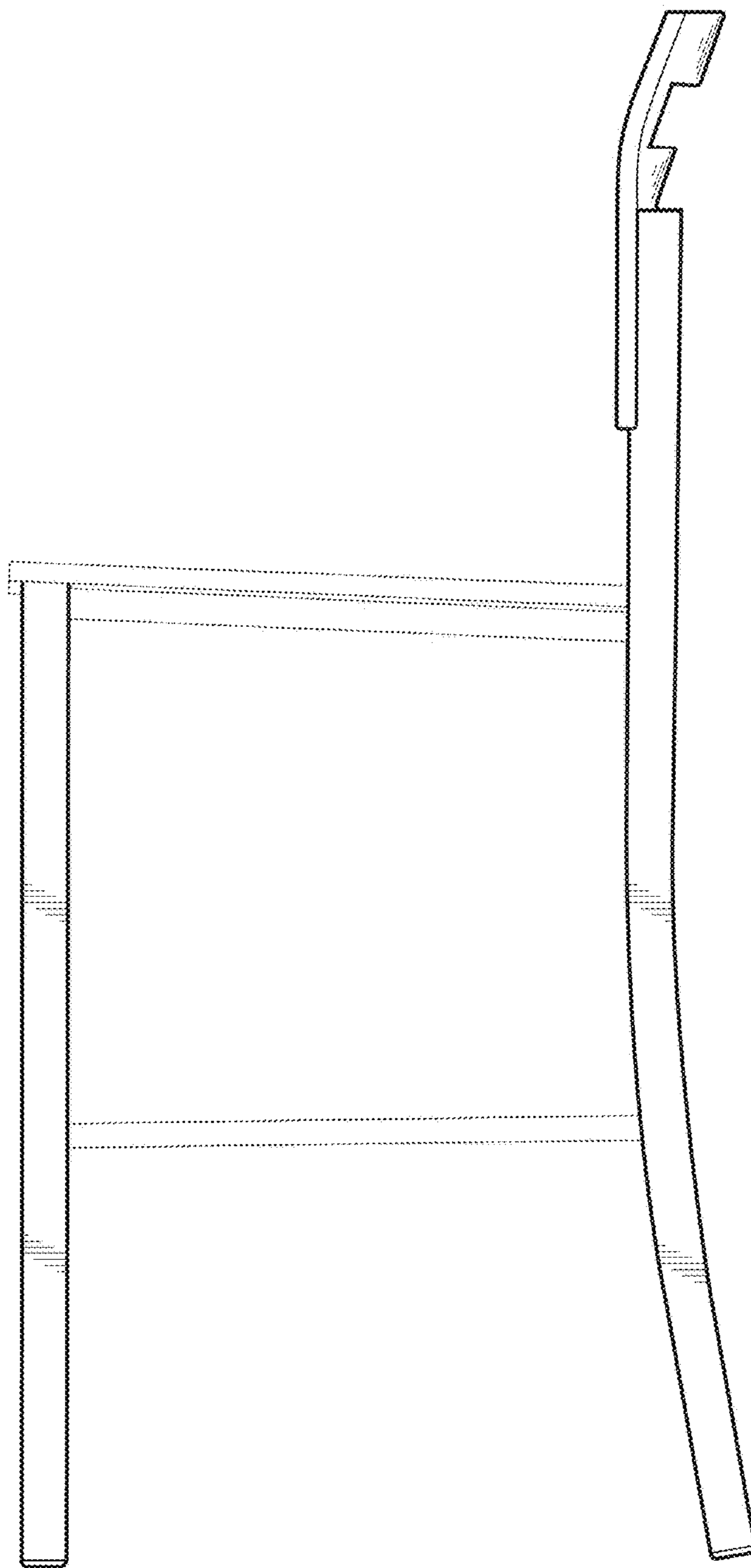


FIG. 10

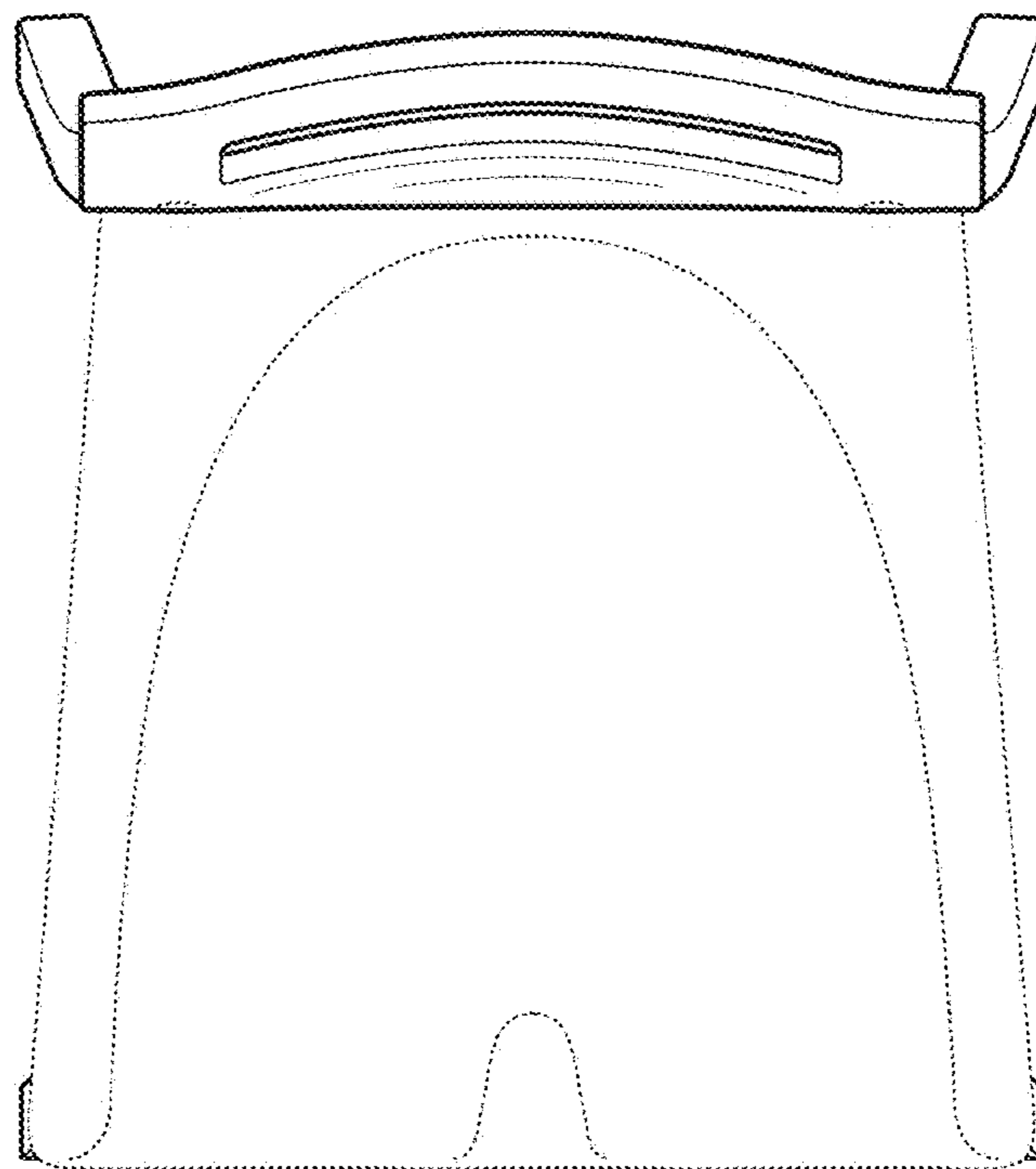


FIG. 11

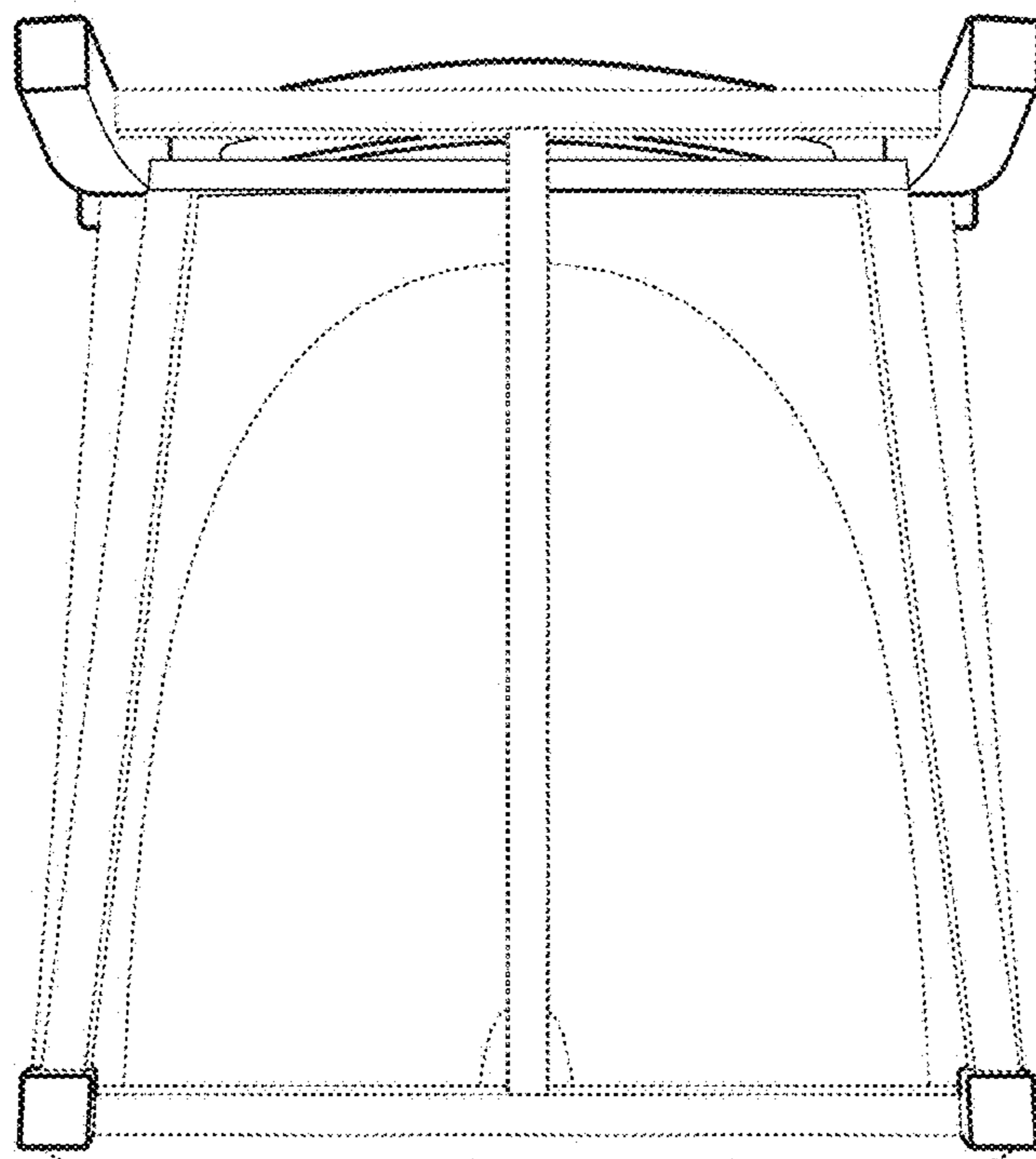


FIG. 12

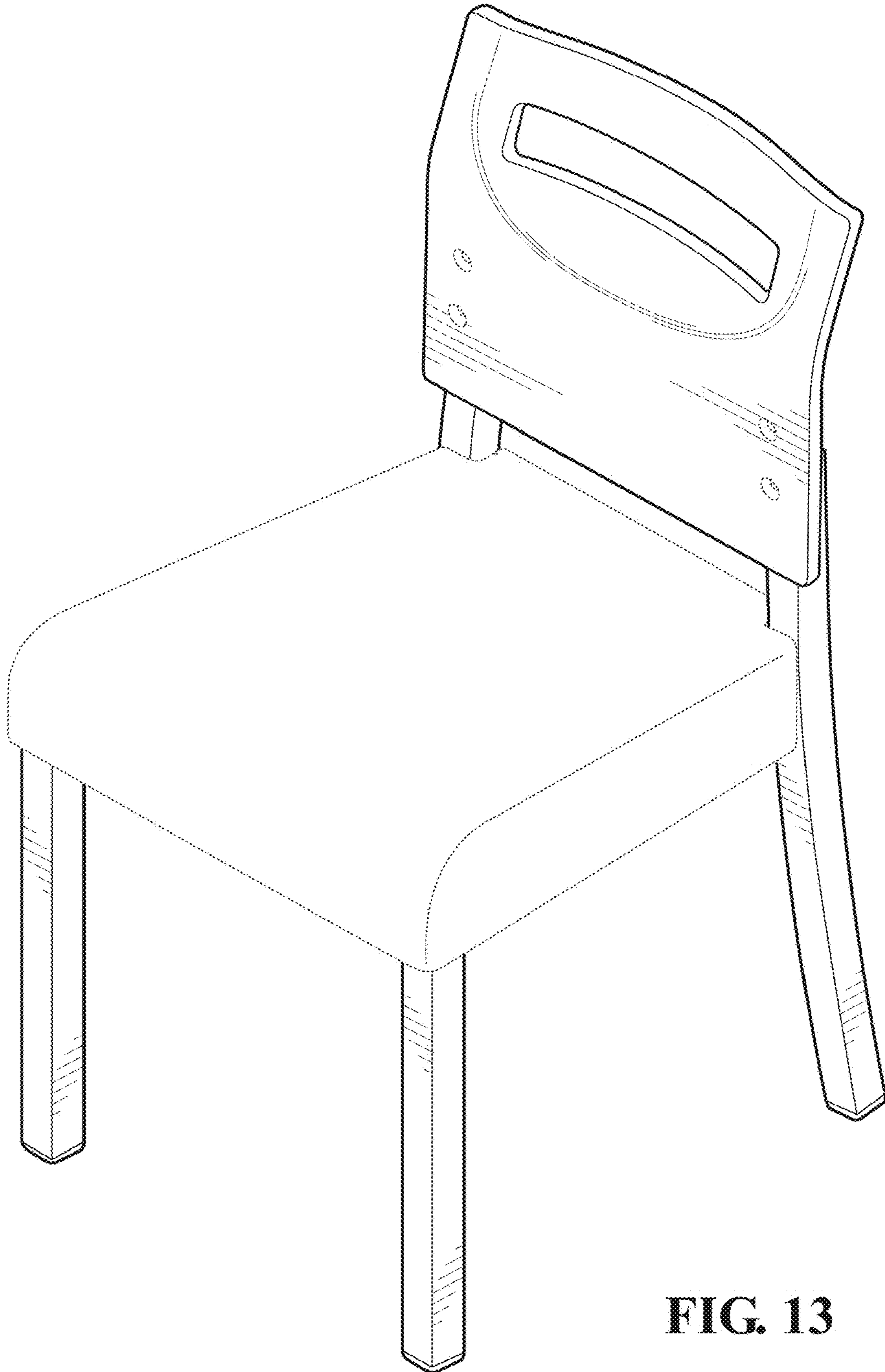


FIG. 13

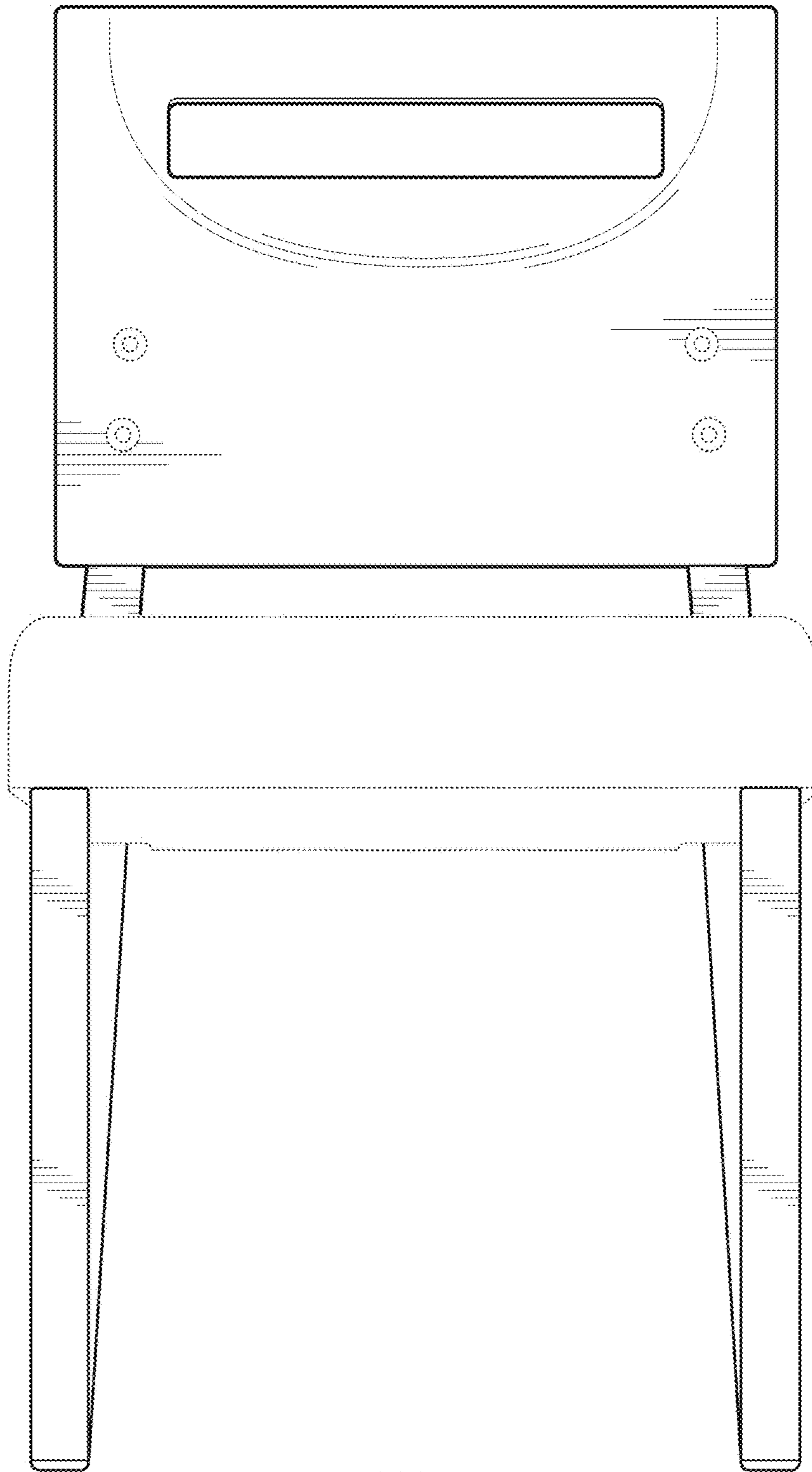


FIG. 14

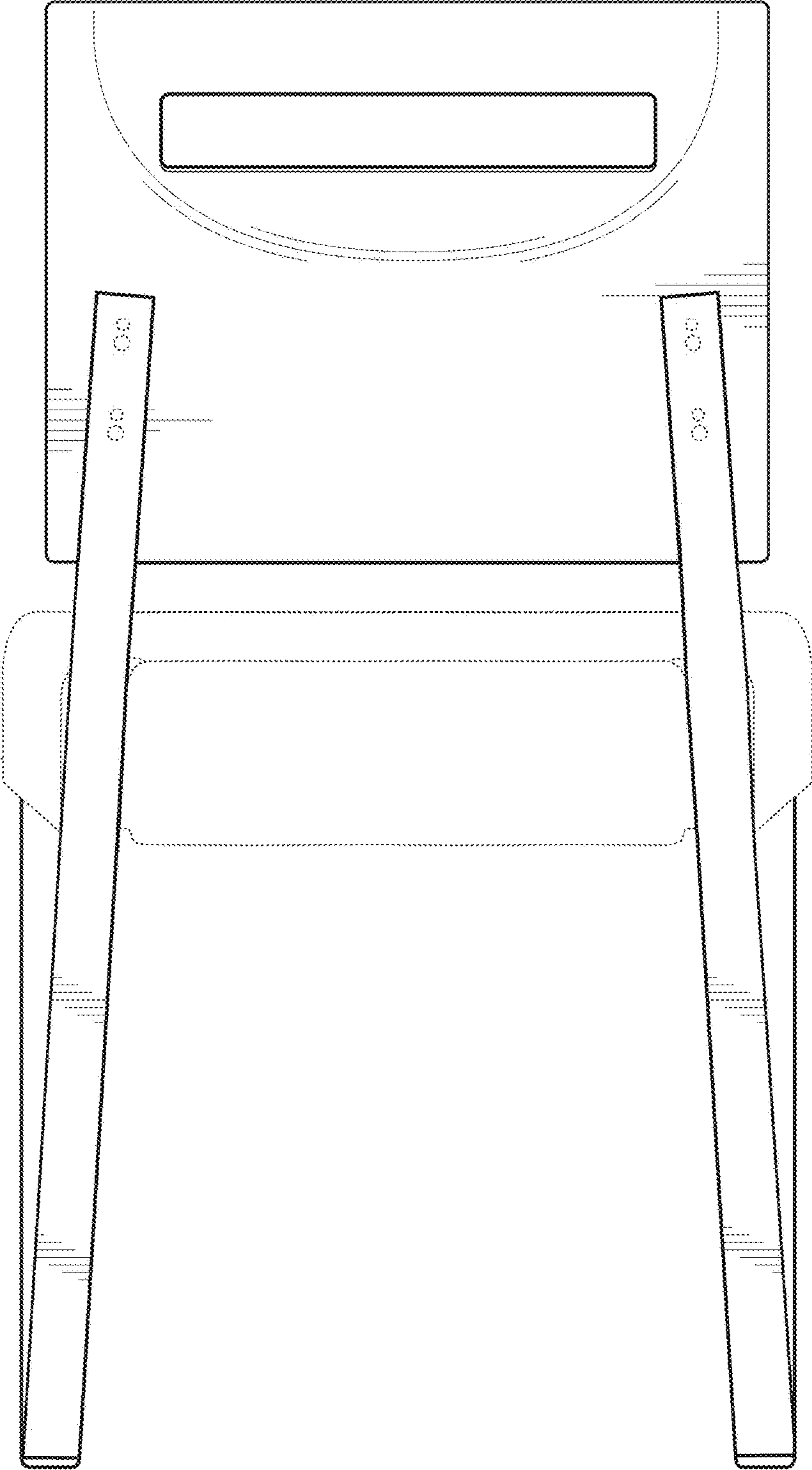


FIG. 15

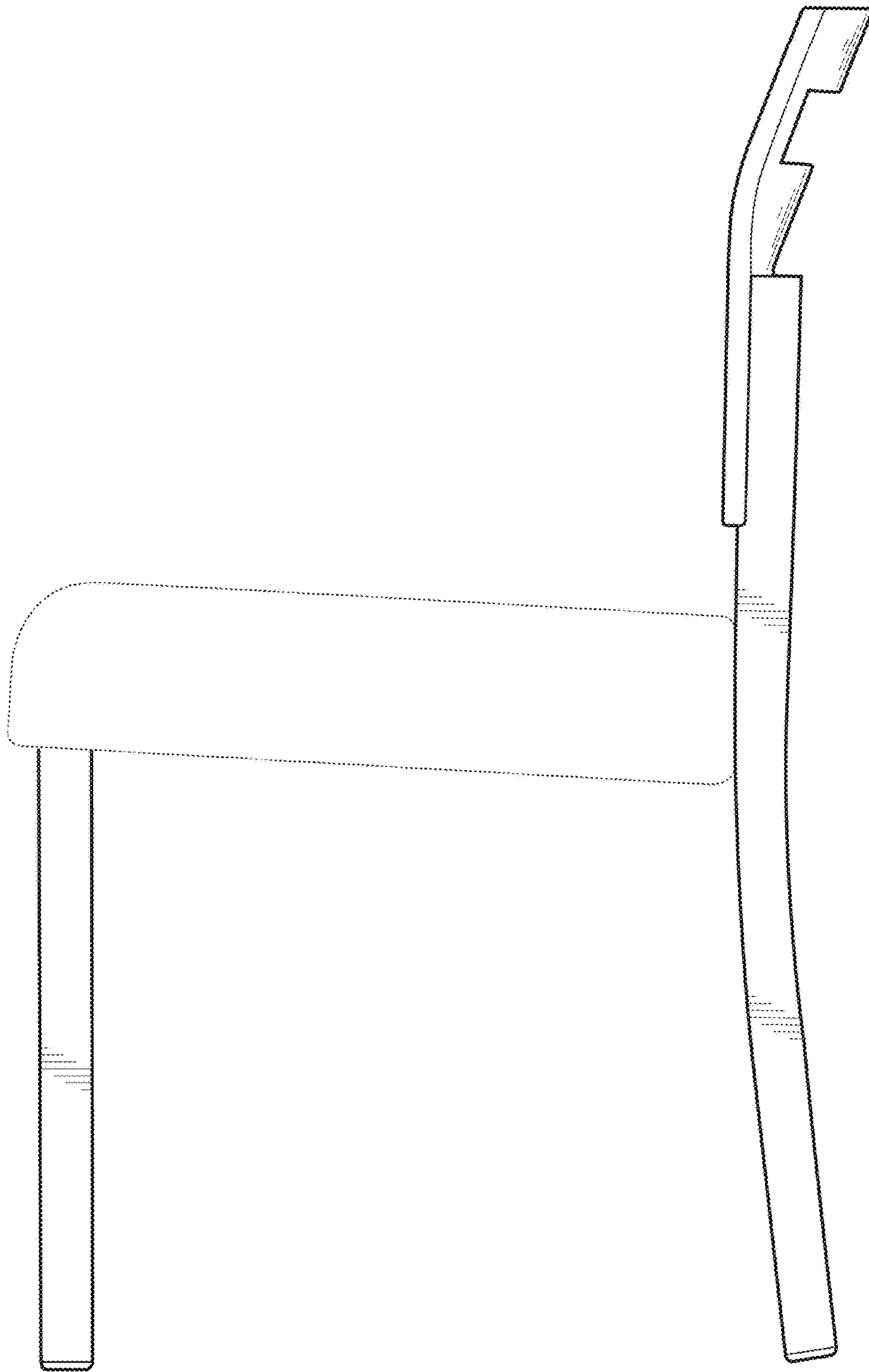


FIG. 16

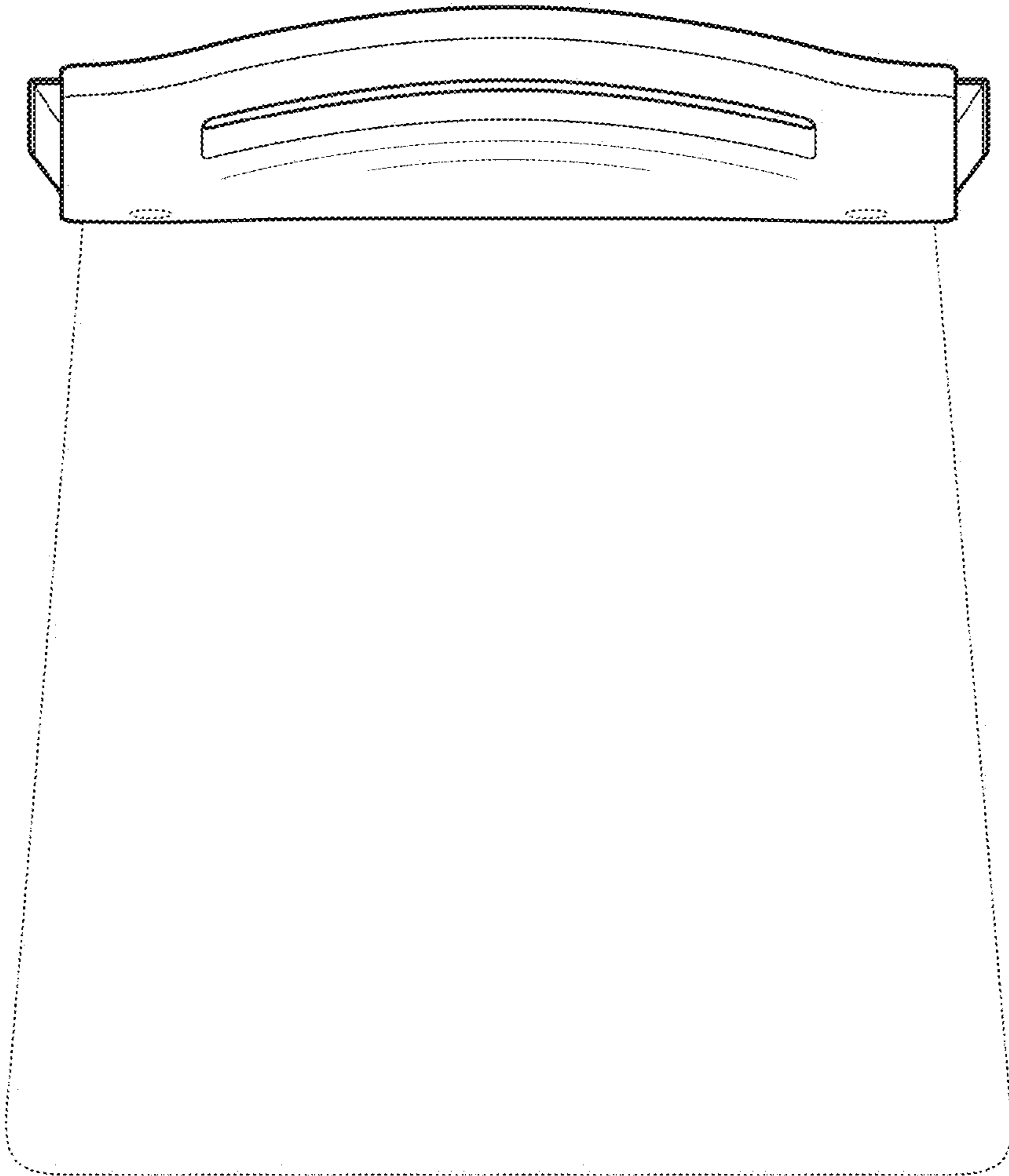


FIG. 17

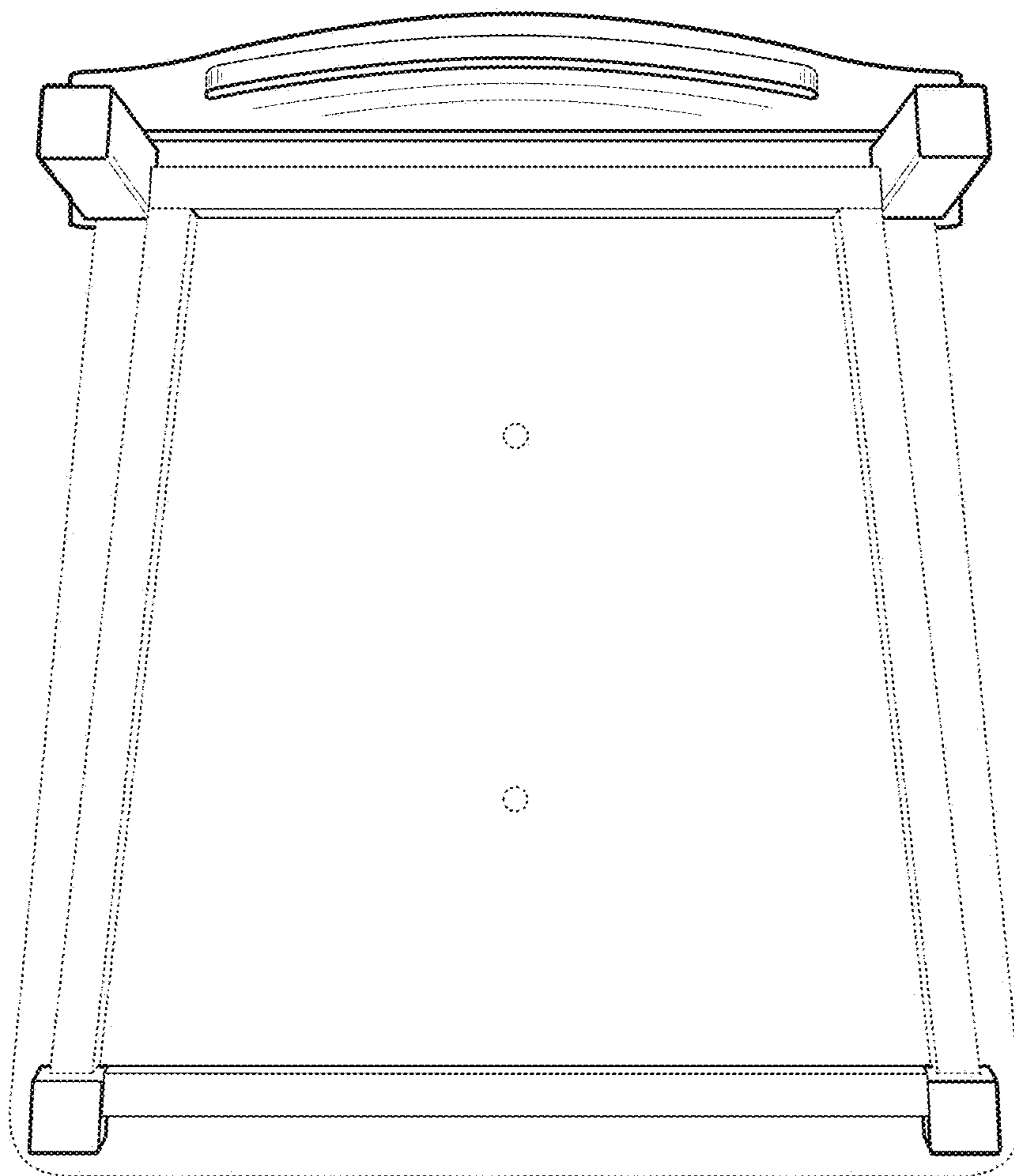


FIG. 18