



US00D846907S

(12) **United States Design Patent**  
**Morgan et al.**

(10) **Patent No.:** **US D846,907 S**

(45) **Date of Patent:** **\*\* Apr. 30, 2019**

(54) **UPHOLSTERY DESIGN FOR AN EXAMINATION CHAIR**

(71) Applicant: **Reliance Medical Products, Inc.**,  
Mason, OH (US)

(72) Inventors: **Katherine Morgan**, Gahanna, OH (US); **Erik Turocy**, Gahanna, OH (US); **Aaron Searles**, Gahanna, OH (US)

(73) Assignee: **Reliance Medical Products, Inc.**,  
Mason, OH (US)

(\*\*) Term: **15 Years**

(21) Appl. No.: **29/577,254**

(22) Filed: **Sep. 12, 2016**

(51) **LOC (11) Cl.** ..... **06-01**

(52) **U.S. Cl.**  
USPC ..... **D6/367**

(58) **Field of Classification Search**  
USPC ..... D6/334-336, 356, 364, 365, 366, 367,  
D6/374, 716, 716.1, 716.2, 716.4, 716.5;  
D24/183  
CPC .... A47C 1/10; A47C 3/12; A47C 7/36; A47C  
7/38; A47C 7/50; A47C 7/506; A47C  
7/5062; A47C 7/5064; A61G 15/02;  
A61G 15/12; A61G 15/125; A47G 1/036;  
A47G 1/037

See application file for complete search history.

(56) **References Cited**

U.S. PATENT DOCUMENTS

D300,657 S *	4/1989	Simpkins .....	D24/183
D333,736 S *	3/1993	Nordstrom .....	D24/183
D412,621 S *	8/1999	Smith .....	D6/367
D426,715 S *	6/2000	Smith .....	D6/367
D462,189 S *	9/2002	Brockway .....	D6/367

\* cited by examiner

*Primary Examiner* — Mimosa De

(74) *Attorney, Agent, or Firm* — Ryan O. White; Taft Stettinius & Hollister LLP

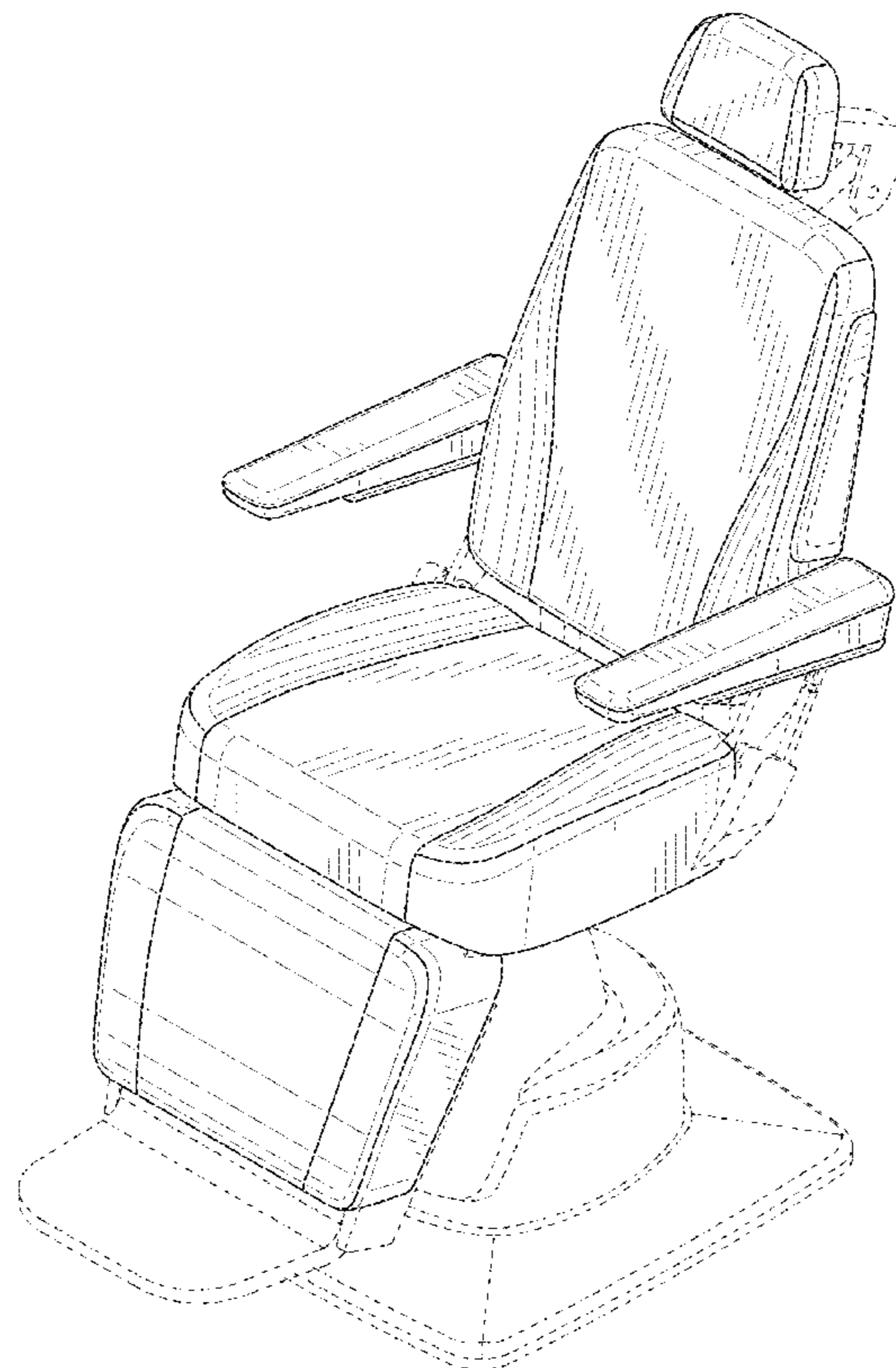
(57) **CLAIM**

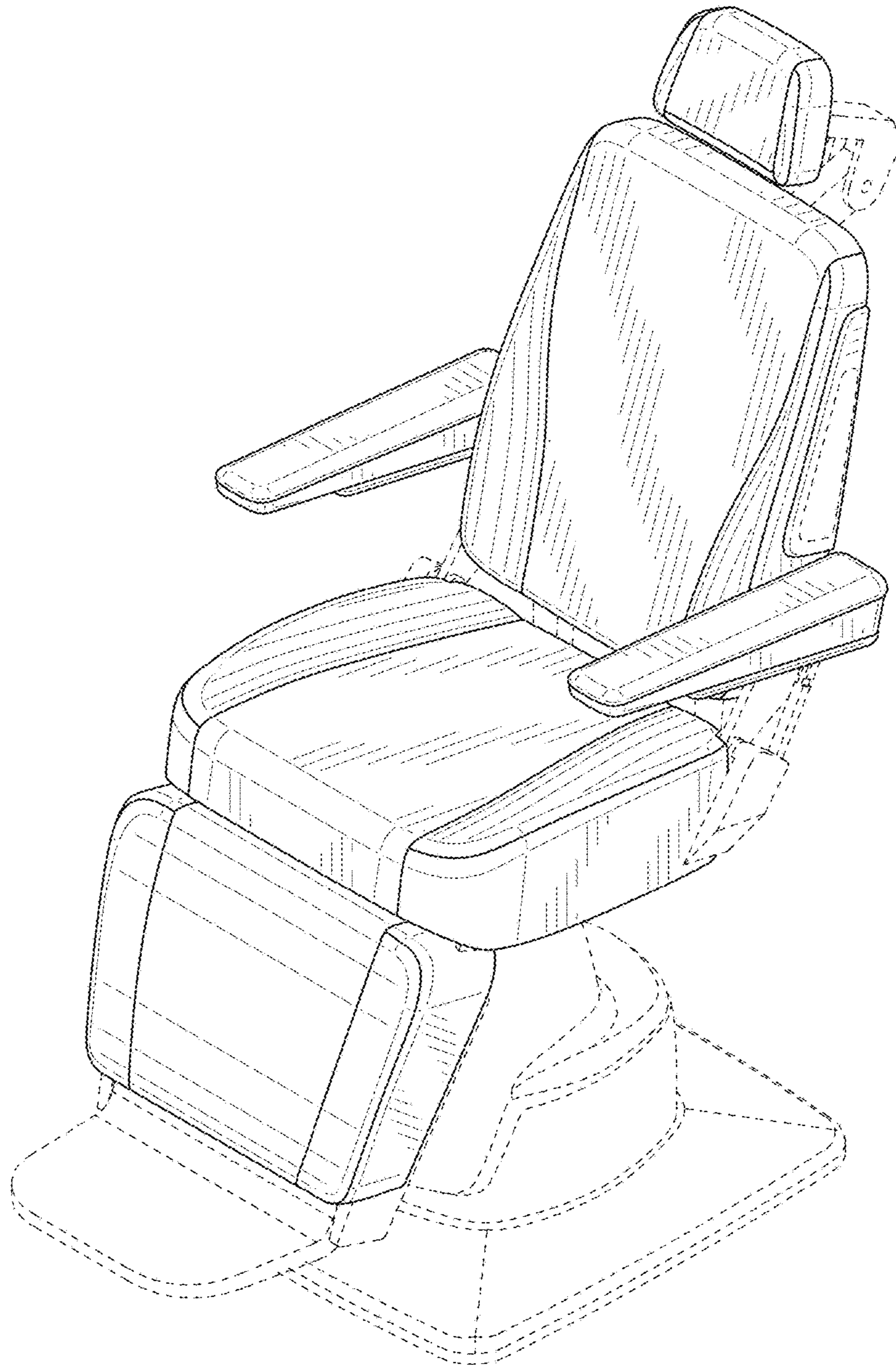
The ornamental design for the upholstery design for an examination chair, as shown and described.

**DESCRIPTION**

FIG. 1 is a front perspective view of an upholstery design for an examination chair that shows our new design.  
FIG. 2 is a front view thereof;  
FIG. 3 is a back view thereof;  
FIG. 4 is a left side view thereof;  
FIG. 5 is a right side view thereof;  
FIG. 6 is a top view thereof; and,  
FIG. 7 is a bottom side view thereof.

**1 Claim, 6 Drawing Sheets**





**FIG. 1**

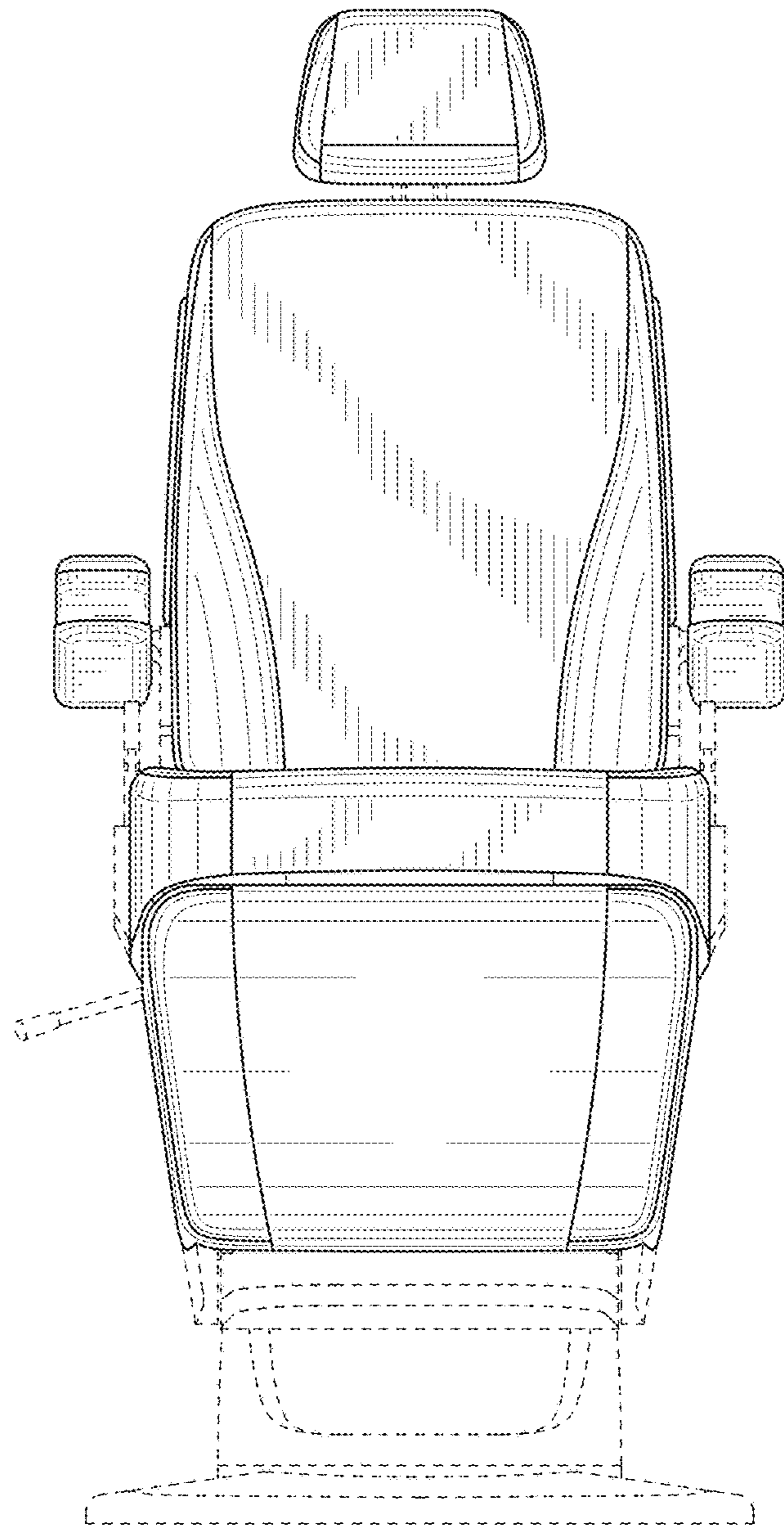
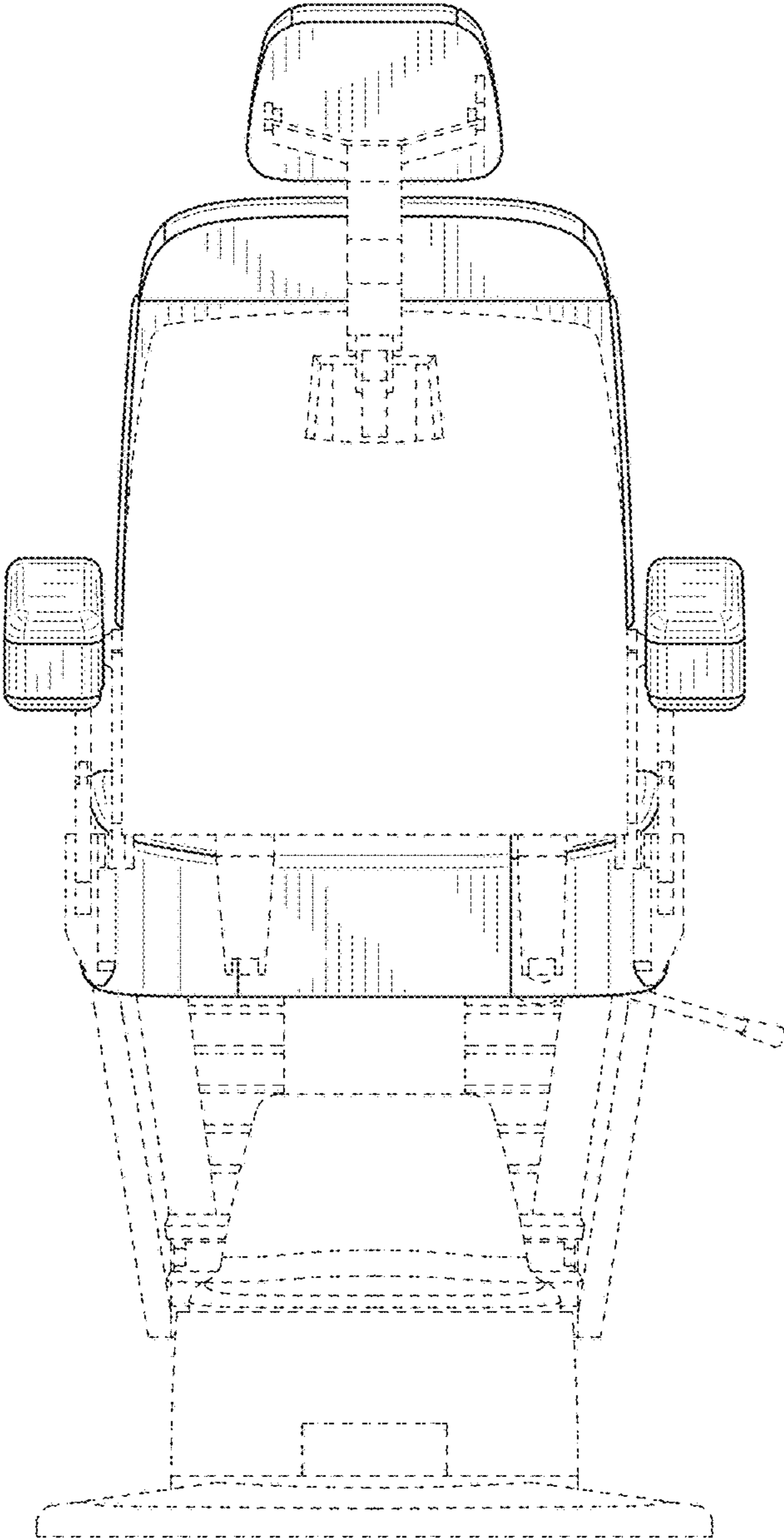


FIG. 2



**FIG. 3**

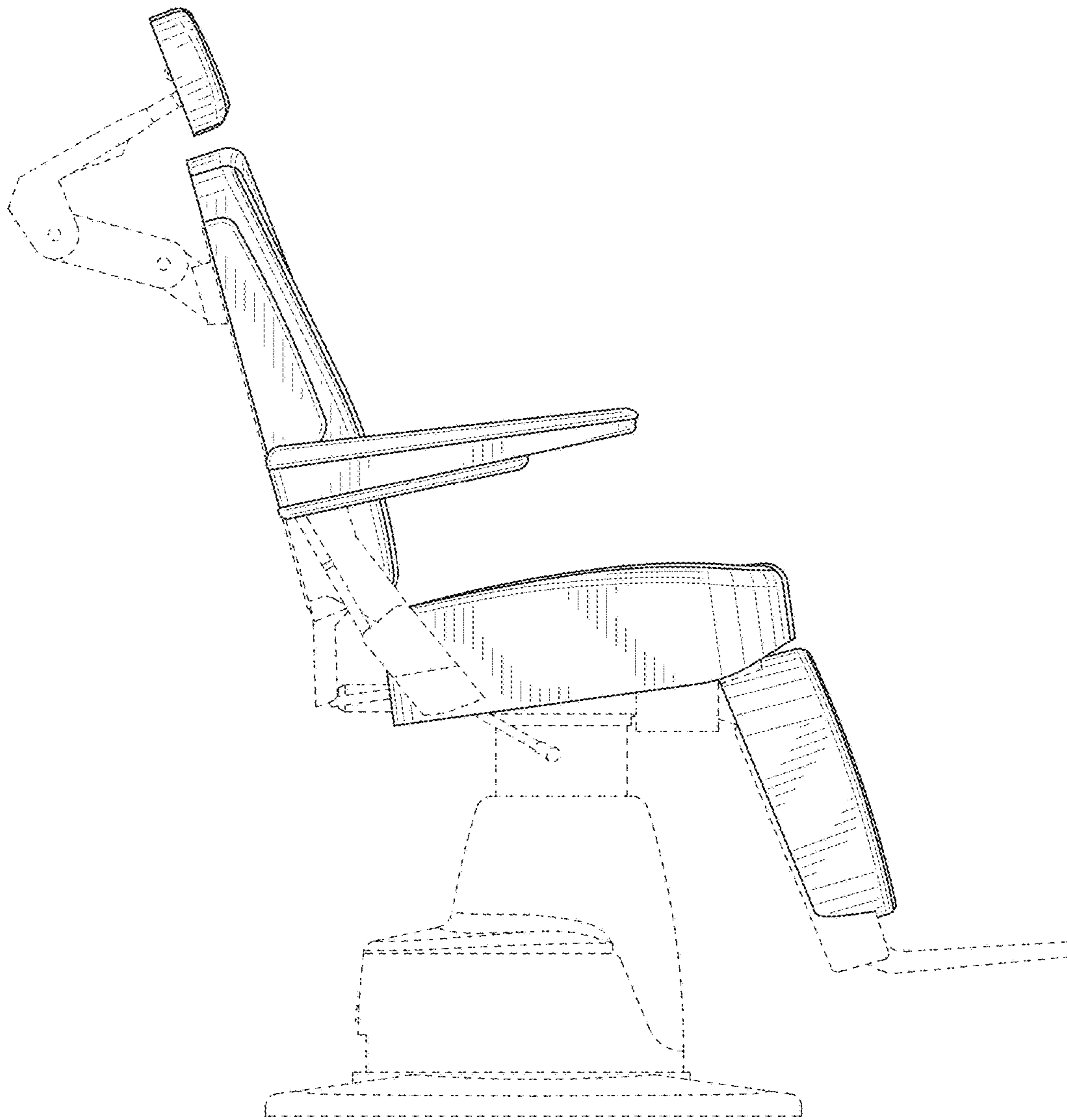
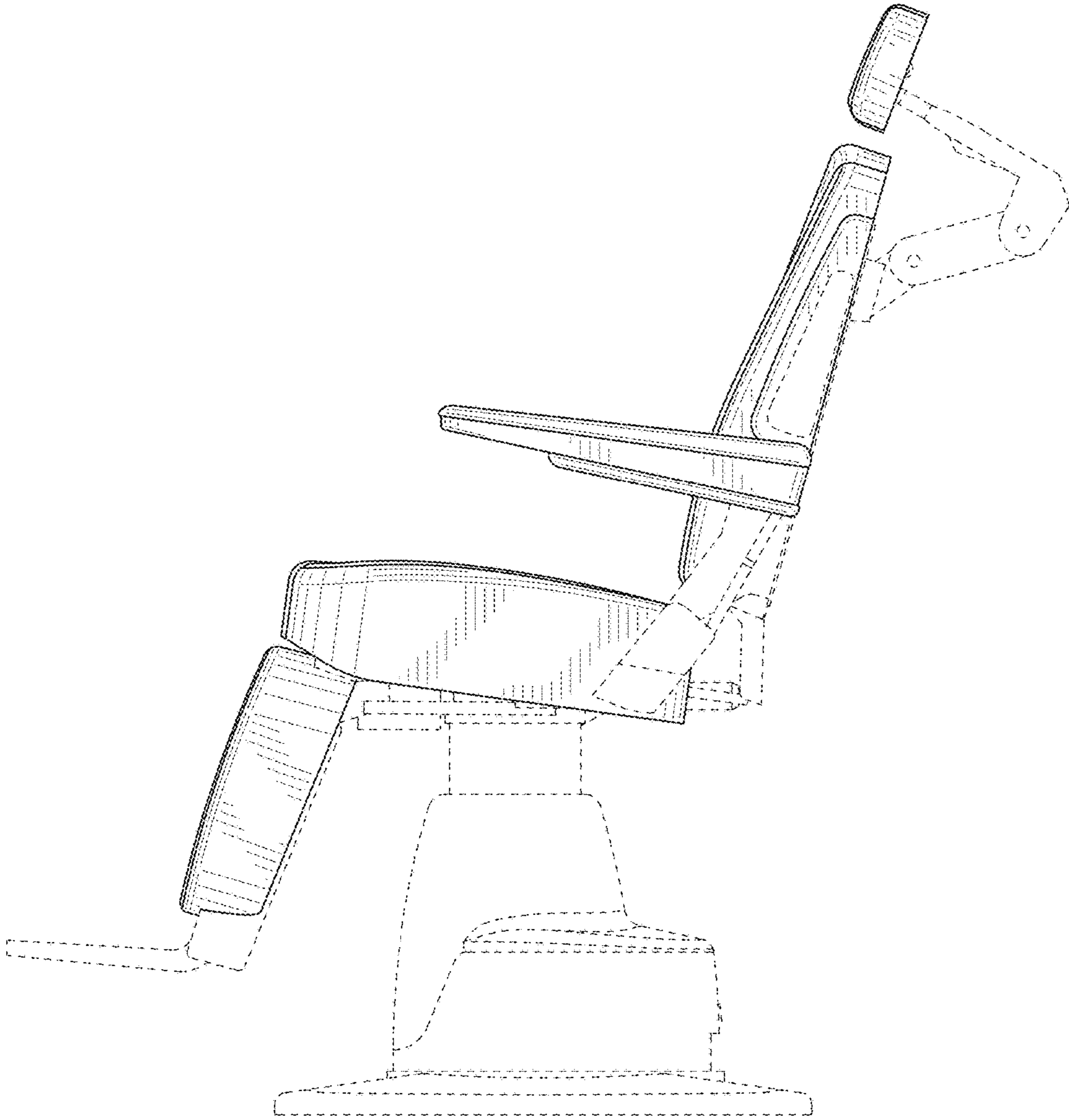


FIG. 4



**FIG. 5**

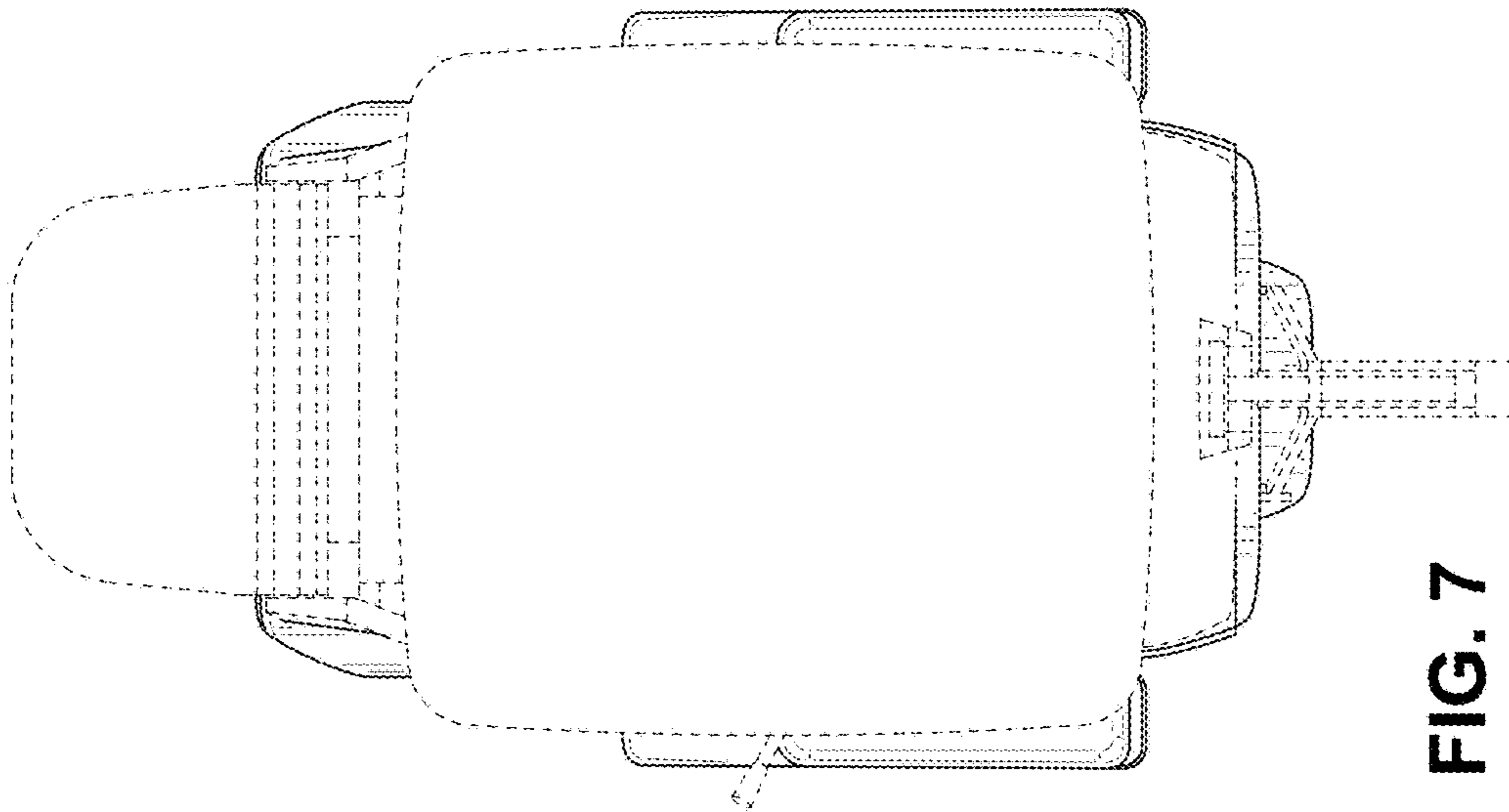


FIG. 7

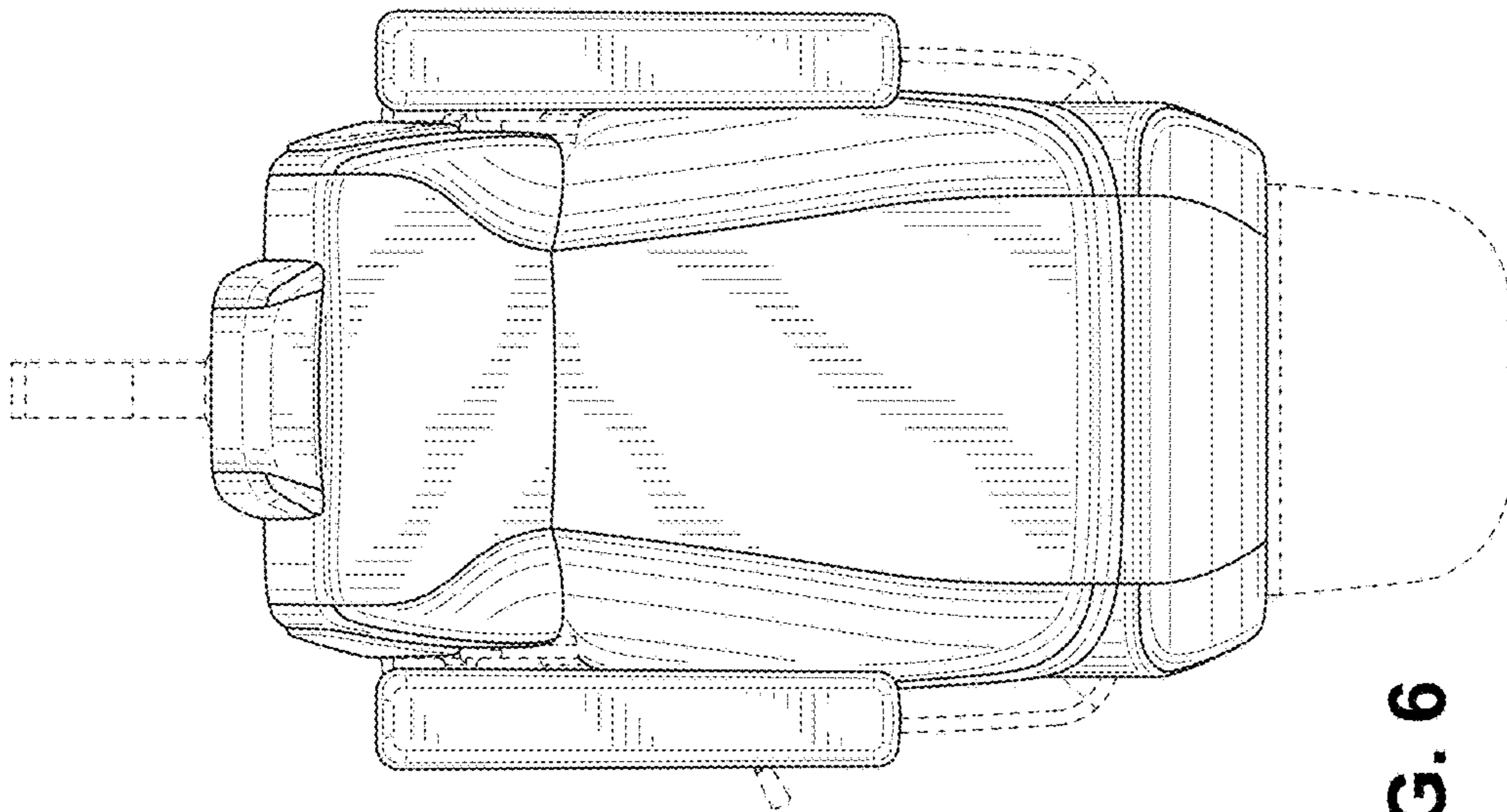


FIG. 6