



US00D846906S

(12) **United States Design Patent**
Xue

(10) **Patent No.:** **US D846,906 S**
(45) **Date of Patent:** **** Apr. 30, 2019**

(54) **CHAIR FOR ELECTRONIC SPORTS**

(71) Applicant: **Dong Xue**, Henan (CN)

(72) Inventor: **Dong Xue**, Henan (CN)

(**) Term: **15 Years**

(21) Appl. No.: **29/607,756**

(22) Filed: **Jun. 16, 2017**

(51) **LOC (11) Cl.** **06-01**

(52) **U.S. Cl.**
USPC **D6/366**

(58) **Field of Classification Search**
USPC D6/334-336, 356, 364, 365, 366, 367,
D6/374, 375, 379, 380, 716, 716.1, 716.3,
D6/716.4

CPC .. A47C 4/028; A47C 7/18; A47C 7/38; A47C
7/40; B60N 2/02; B60N 2/22

See application file for complete search history.

(56) **References Cited**

U.S. PATENT DOCUMENTS

D317,534 S *	6/1991	Hansel	D6/356
D542,547 S *	5/2007	Su	D6/366
D549,475 S *	8/2007	Su	D6/356
D721,897 S *	2/2015	Ritzel	D6/356

D807,068 S *	1/2018	Mao	D6/348
D807,072 S *	1/2018	Mao	D6/366
D809,313 S *	2/2018	Mao	D6/366
D811,145 S *	2/2018	Li	D6/716
10,035,442 B2 *	7/2018	Konrad	B60N 2/02

* cited by examiner

Primary Examiner — Mimososa De

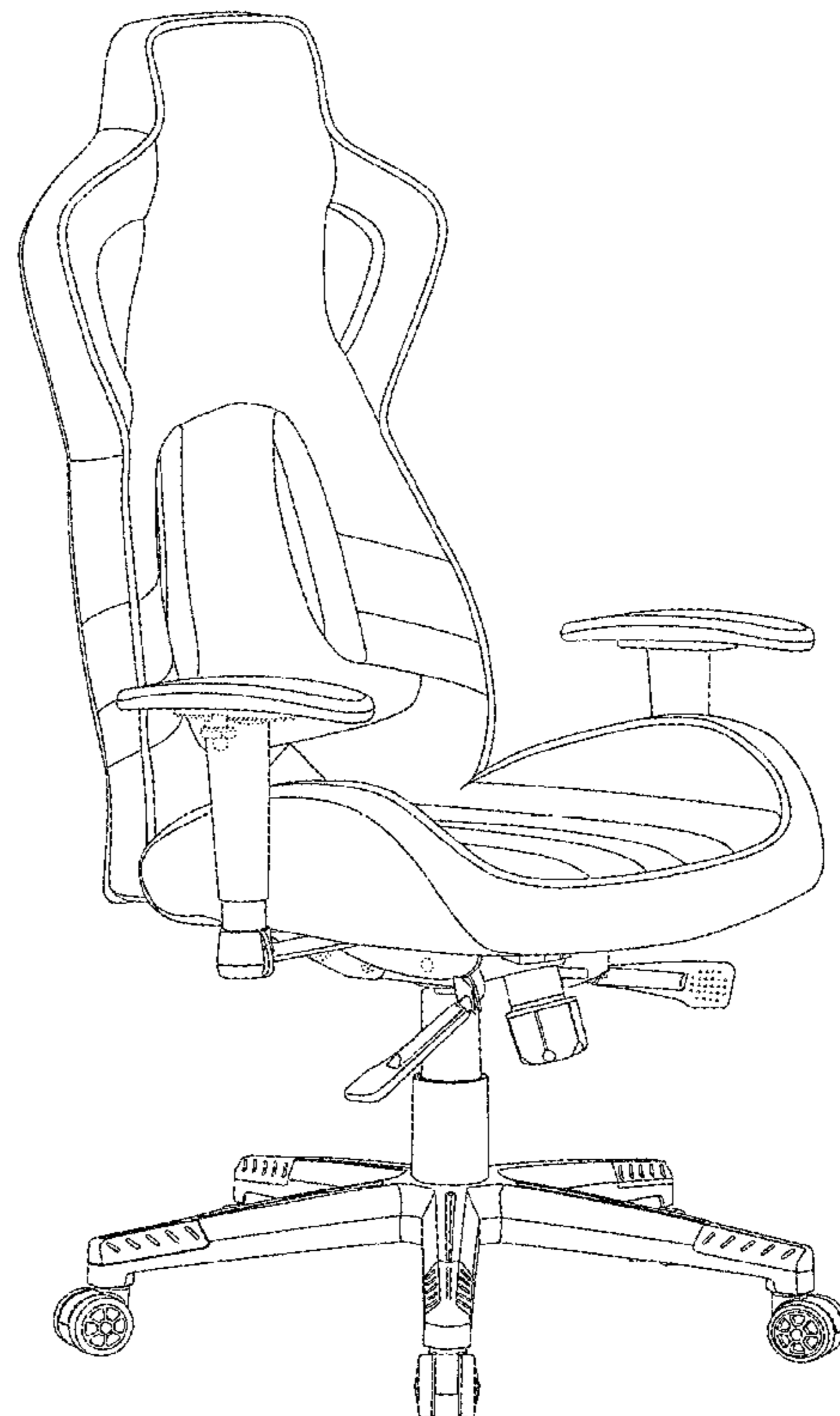
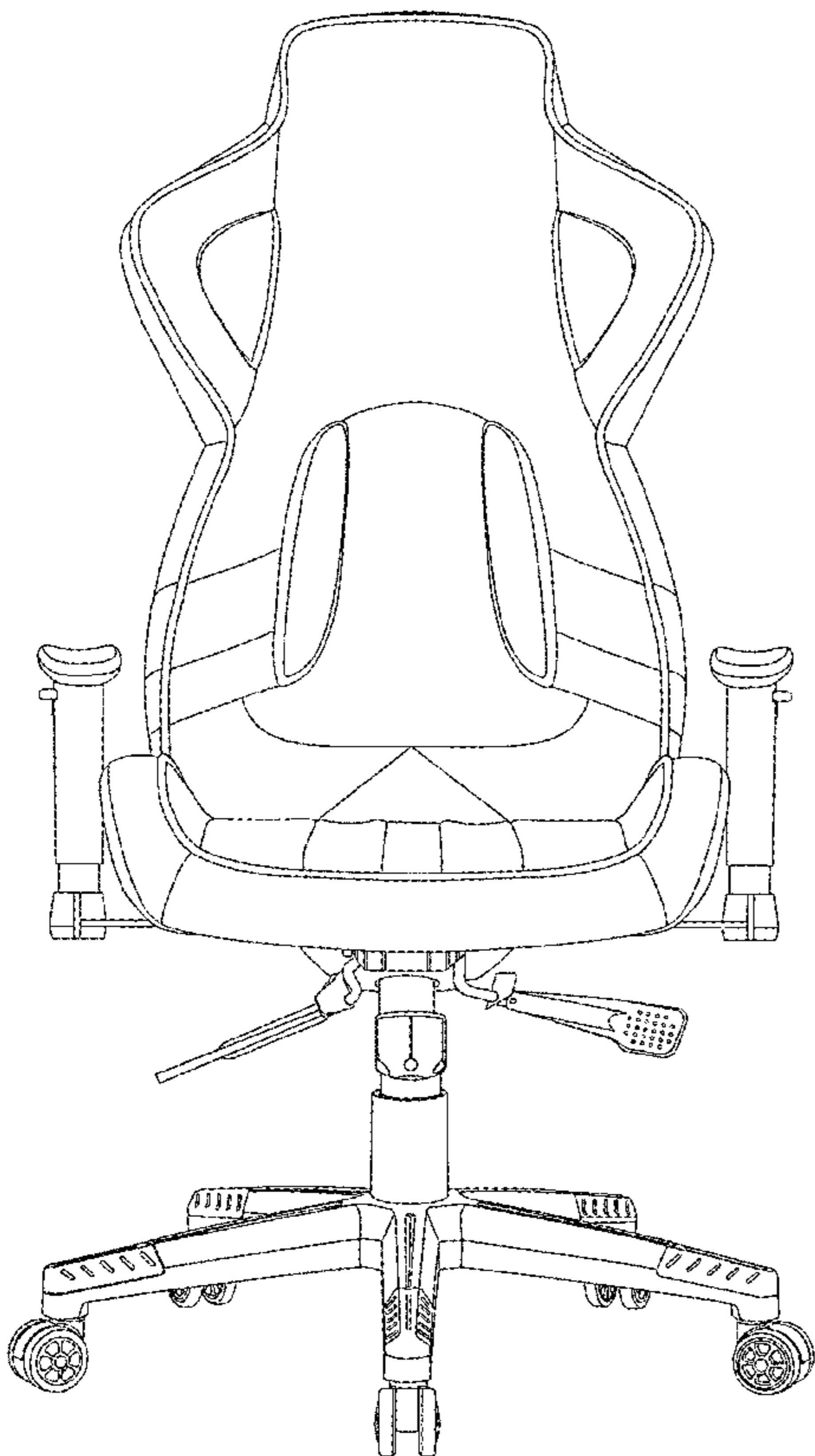
(57) **CLAIM**

The ornamental design for chair for electronic sports, as shown and described.

DESCRIPTION

FIG. 1 is a front elevational view of chair for electronic sports showing my new design;
FIG. 2 is a rear elevational view thereof;
FIG. 3 is a left side elevational view thereof;
FIG. 4 is a right side elevational view thereof;
FIG. 5 is a top plan view thereof;
FIG. 6 is a bottom plan view thereof; and,
FIG. 7 is a perspective view thereof.
The broken lines shown in drawings are for the purpose of illustrating portions of the chair for electronic sports and form no part of the claimed design.

1 Claim, 7 Drawing Sheets



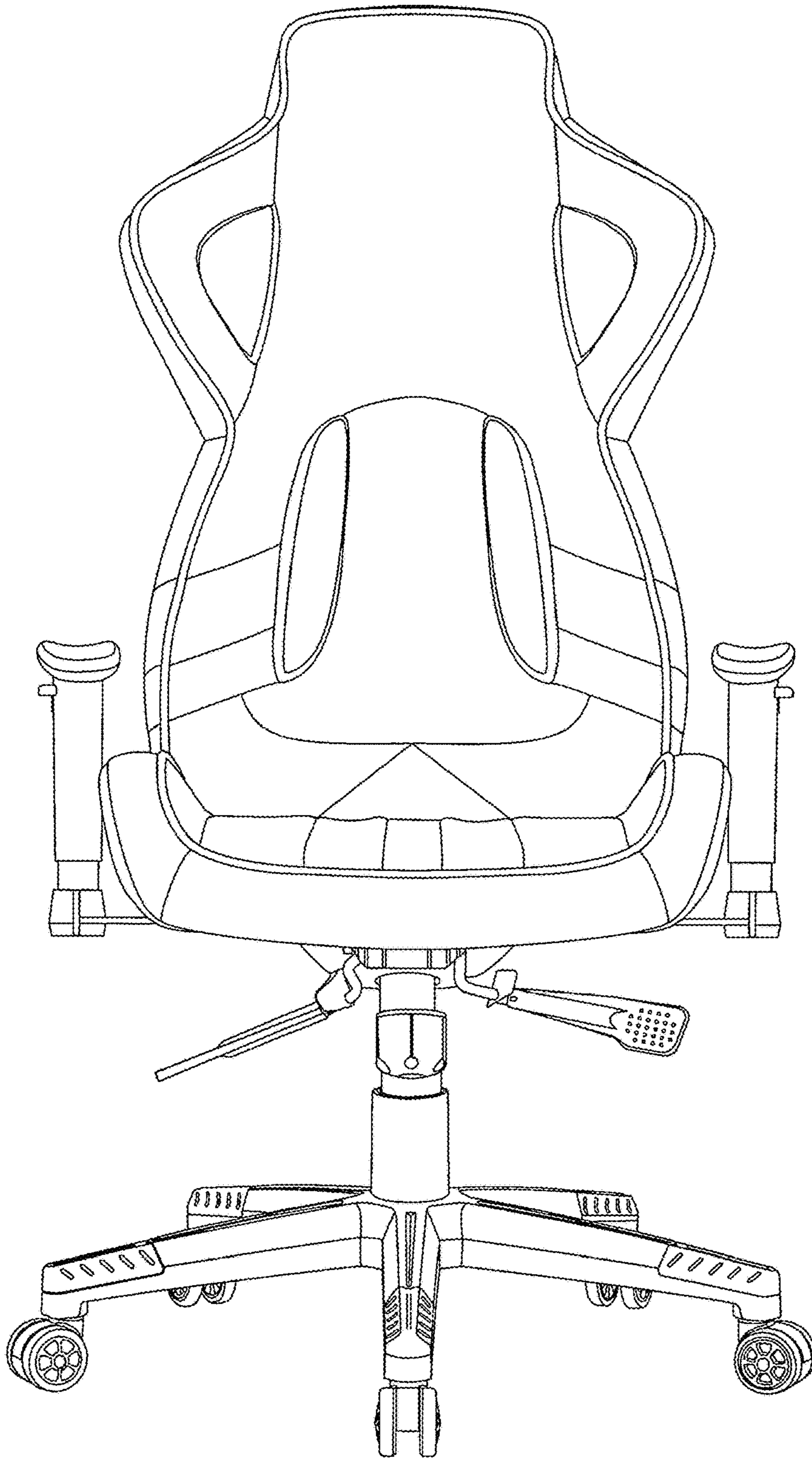


FIG.1

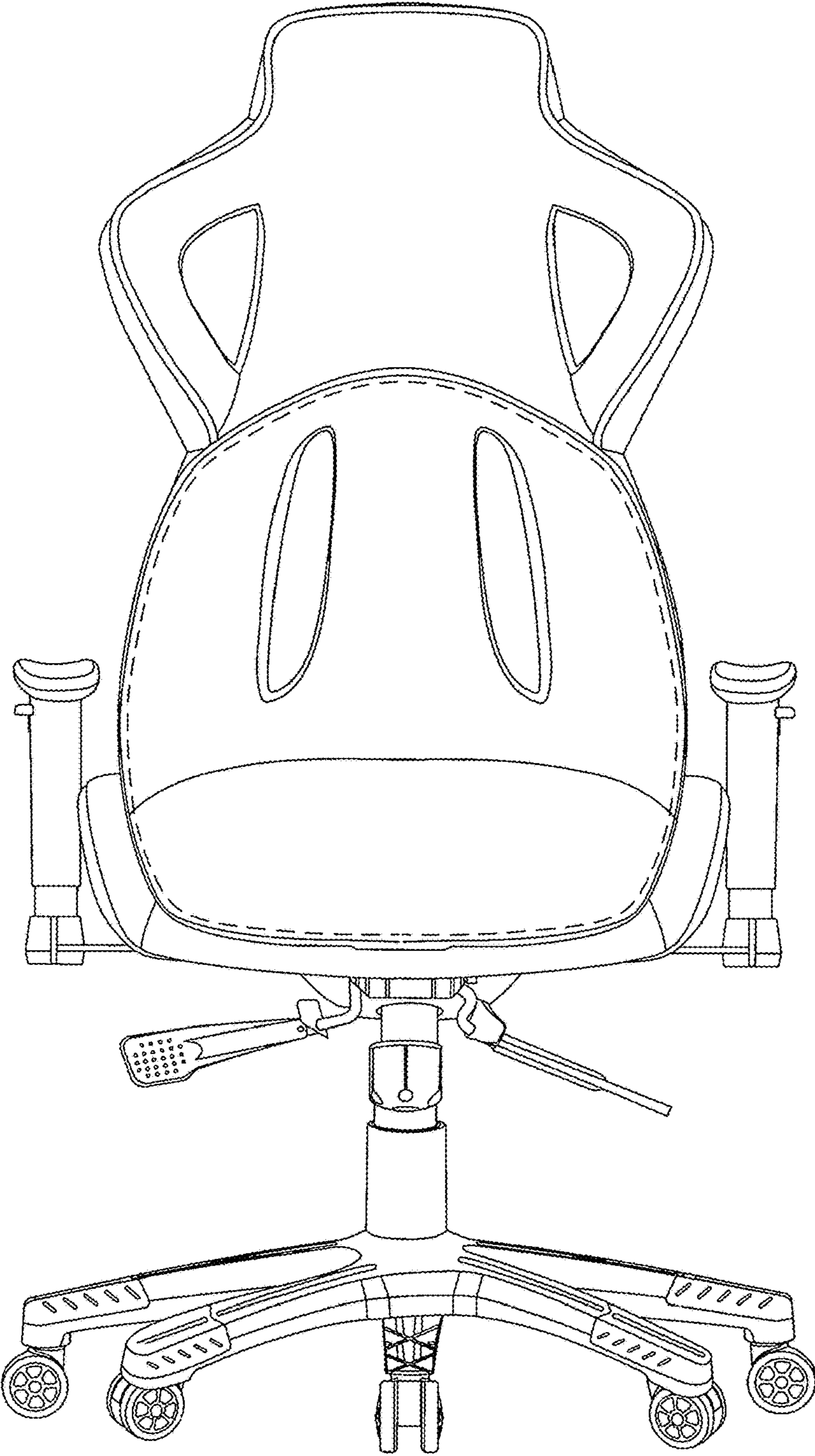


FIG.2

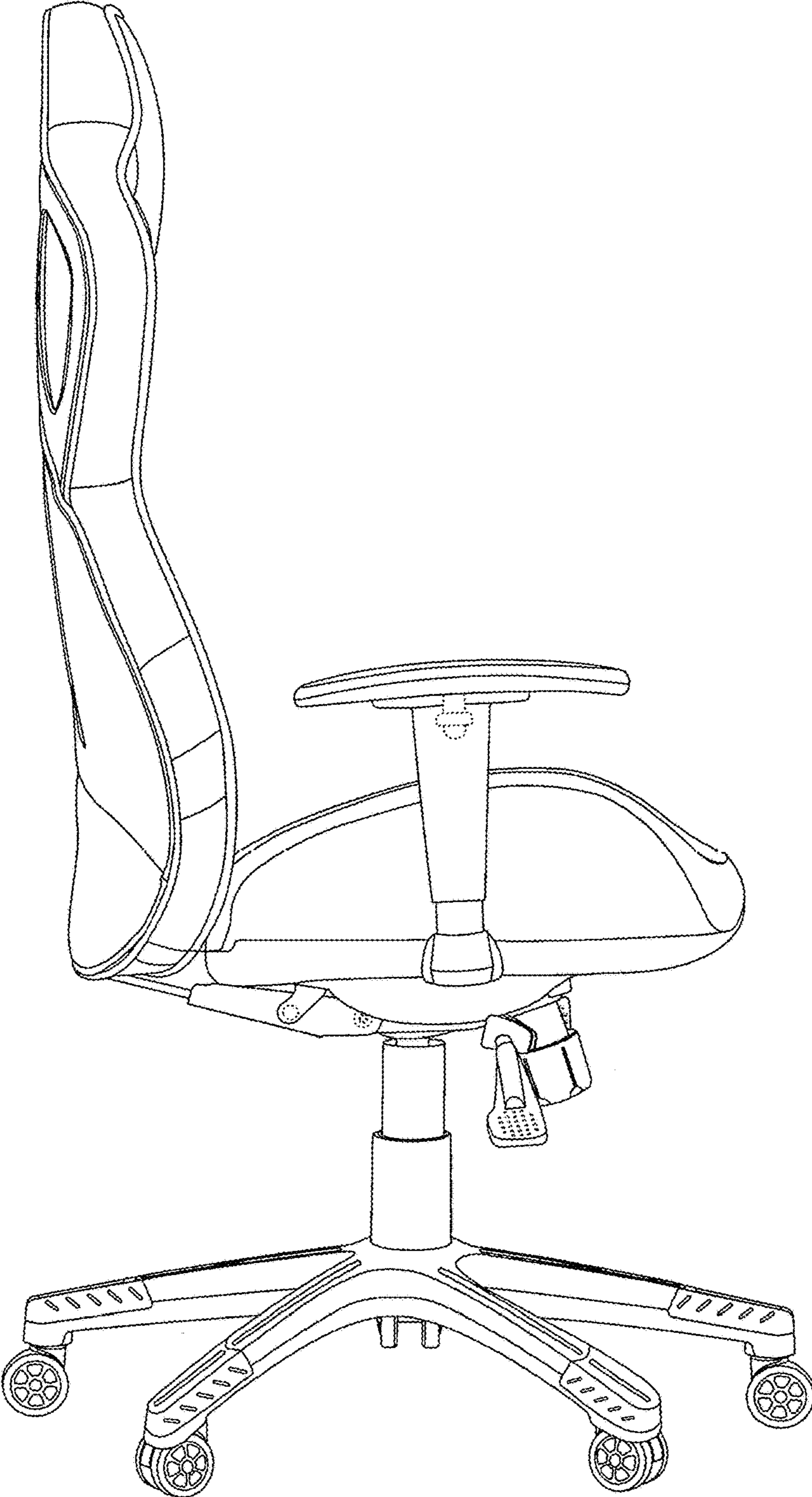


FIG.3

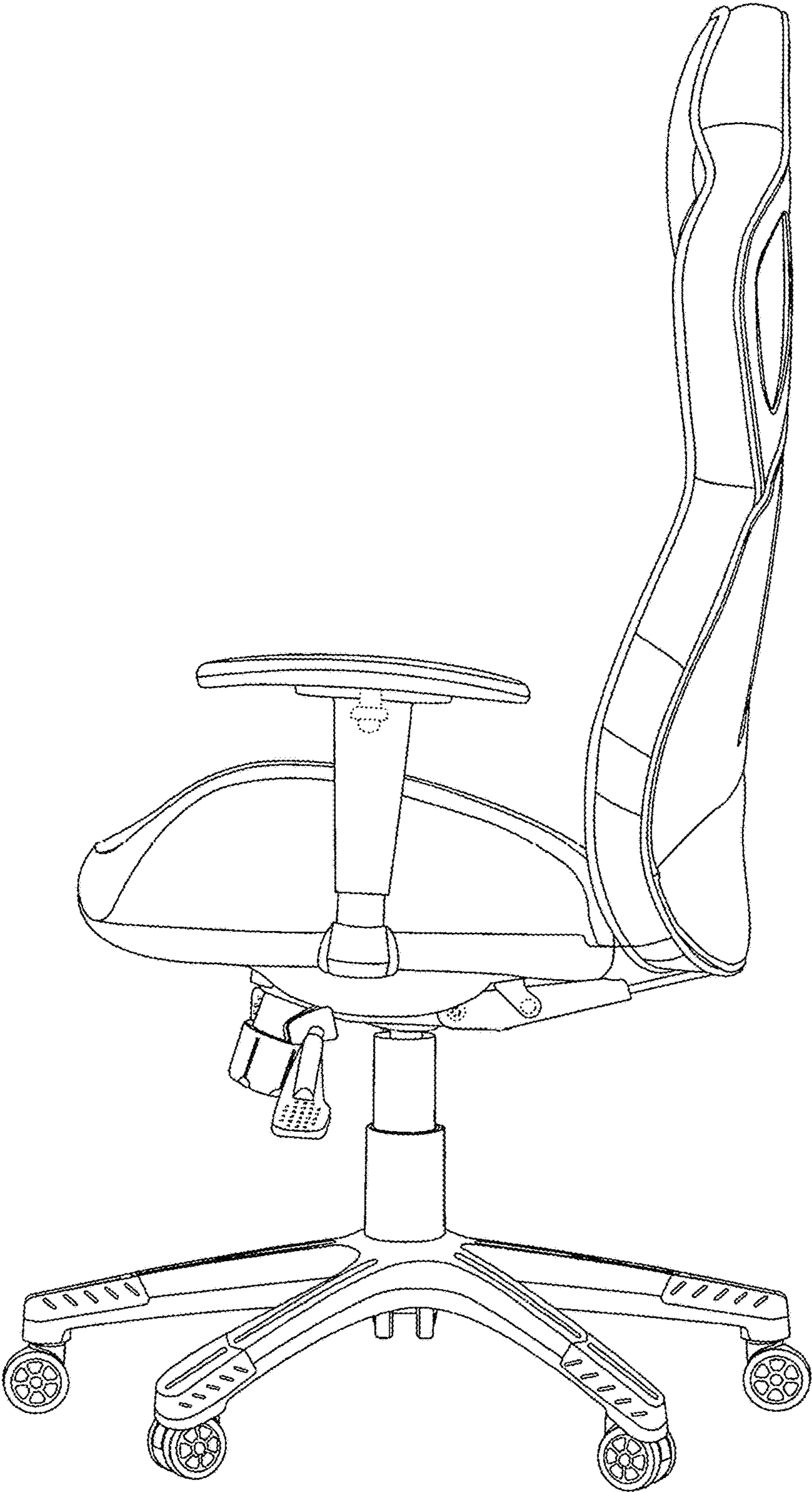


FIG.4

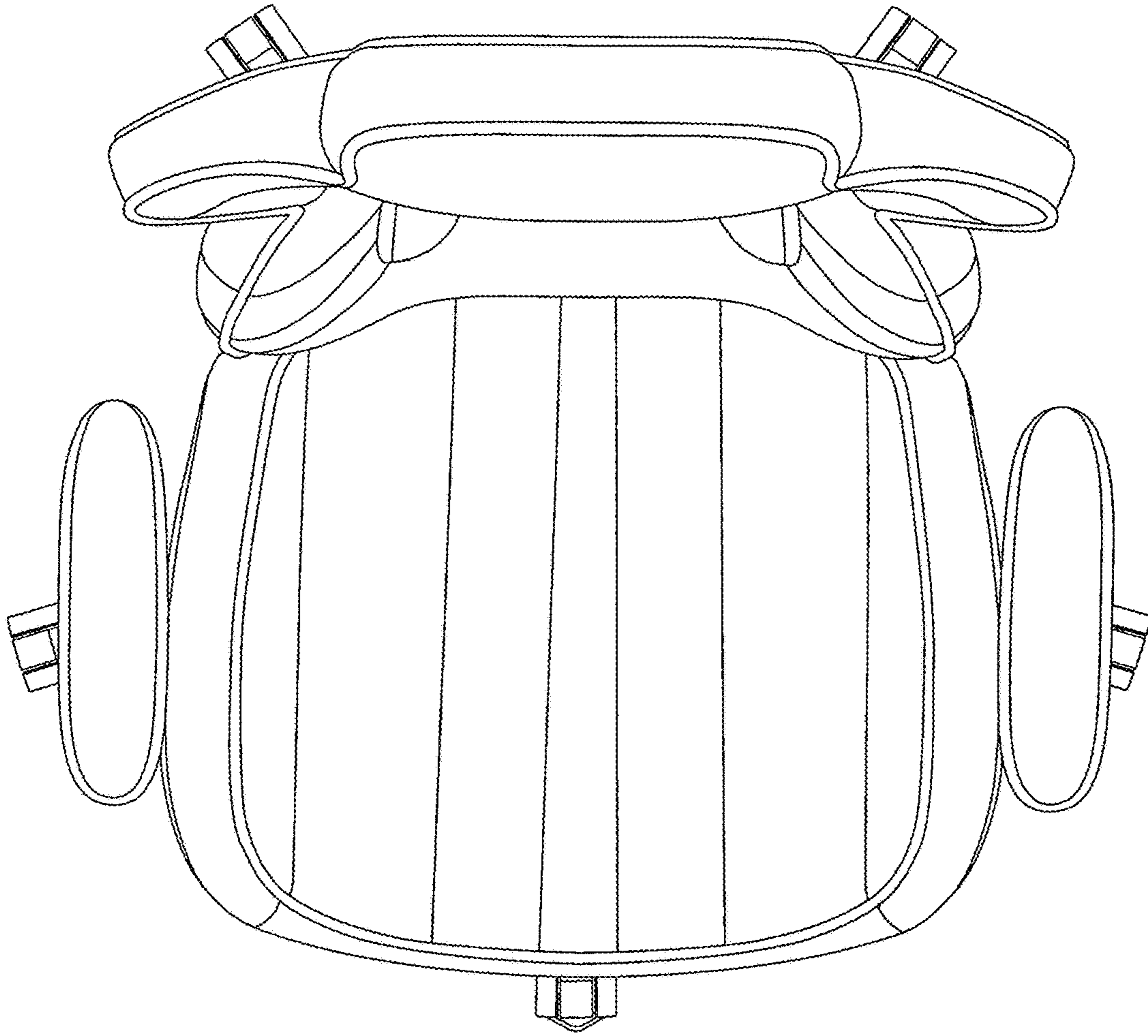


FIG.5

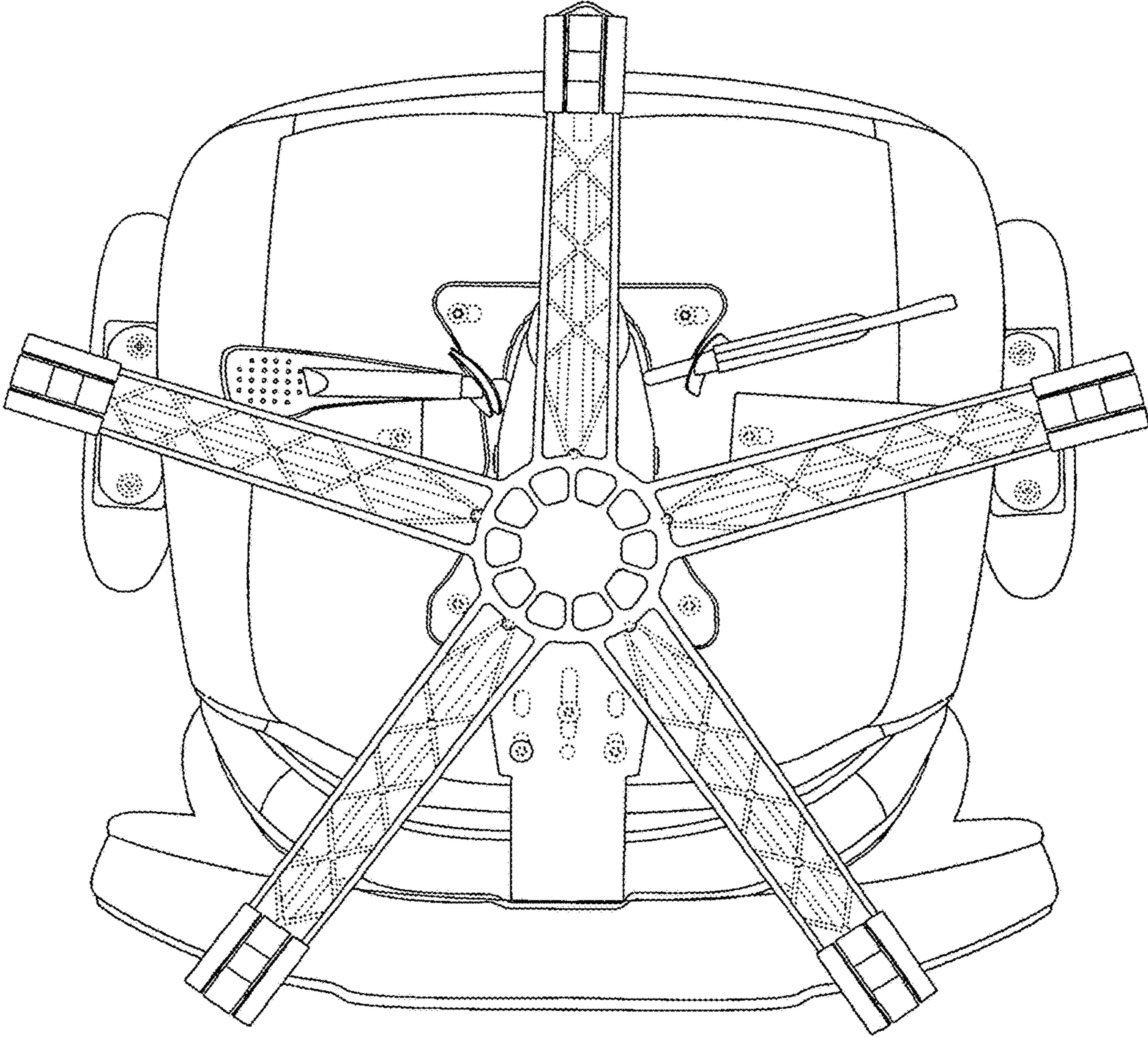


FIG.6



FIG. 7