



US00D846904S

(12) **United States Design Patent**  
**Tomasson et al.**

(10) **Patent No.:** **US D846,904 S**

(45) **Date of Patent:** **\*\* Apr. 30, 2019**

(54) **CAR SEAT**

(71) Applicant: **Nio Nextev Limited**, Hong Kong (HK)

(72) Inventors: **Kris Tomasson**, Hong Kong (HK);  
**Jochen Paesen**, Hong Kong (HK);  
**Julien Cueff**, Hong Kong (HK); **Phil Gilman**, Hong Kong (HK)

(73) Assignee: **NIO NEXTEV LIMITED**, Hong Kong (HK)

(\*\*) Term: **15 Years**

(21) Appl. No.: **29/616,311**

(22) Filed: **Sep. 5, 2017**

(30) **Foreign Application Priority Data**

Apr. 10, 2017 (CN) ..... 2017 3 0115146  
Apr. 17, 2017 (CN) ..... 2017 3 0127263

(51) **LOC (11) Cl.** ..... **06-01**

(52) **U.S. Cl.**  
USPC ..... **D6/356**

(58) **Field of Classification Search**  
USPC ..... D6/333, 334, 356, 374, 376, 364-367,  
D6/716, 716.1, 716.4  
CPC ... B60N 2/00; B60N 2/24; B60N 2/64; B60N  
2/643; B60N 2/646; B60N 2/80; B60N  
2/90

See application file for complete search history.

(56) **References Cited**

**U.S. PATENT DOCUMENTS**

D513,132 S \* 12/2005 Yamazaki ..... D6/356  
D534,005 S \* 12/2006 Beermann ..... D6/356  
D576,811 S \* 9/2008 Wyszogrod ..... D6/356  
D578,315 S \* 10/2008 Wyszogrod ..... D6/356

D614,879 S \* 5/2010 Higashida ..... D6/356  
D774,319 S \* 12/2016 Ingenlath ..... D6/356  
9,522,614 B2 \* 12/2016 Clark ..... B60N 2/0725  
2006/0152025 A1 \* 7/2006 Tomasson ..... B60N 2/01  
296/24.3  
2013/0134760 A1 \* 5/2013 Sutton ..... B29C 45/1671  
297/391  
2015/0360592 A1 \* 12/2015 Wroblewski ..... B60N 2/933  
297/330  
2016/0137112 A1 \* 5/2016 Tabata ..... B60N 2/5825  
297/452.38  
2017/0001548 A1 \* 1/2017 Iwakata ..... B60N 2/58  
2018/0093596 A1 \* 4/2018 Kumagai ..... B60N 2/5883

**OTHER PUBLICATIONS**

NIO, posted at Theverge.com, posted on Dec. 18, 2017, site visited Nov. 20, 2018. online, available from internet: <https://www.theverge.com/2017/12/18/16790920/nio-es8-electric-suv-price-specs-china> (Year: 2017).\*

\* cited by examiner

*Primary Examiner* — Mary Ann Calabrese

*Assistant Examiner* — Catherine Ho

(74) *Attorney, Agent, or Firm* — Hogan Lovells US LLP

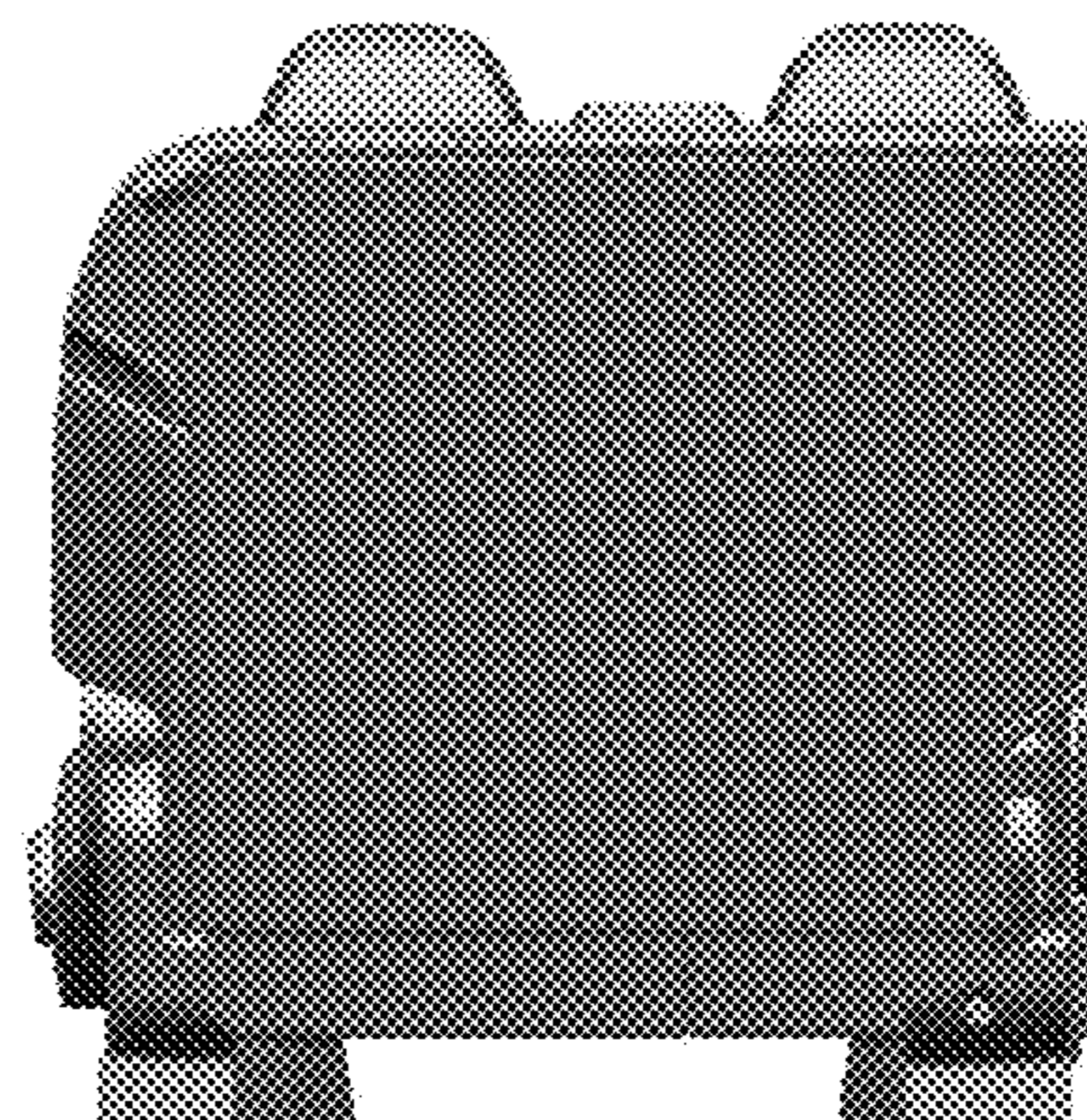
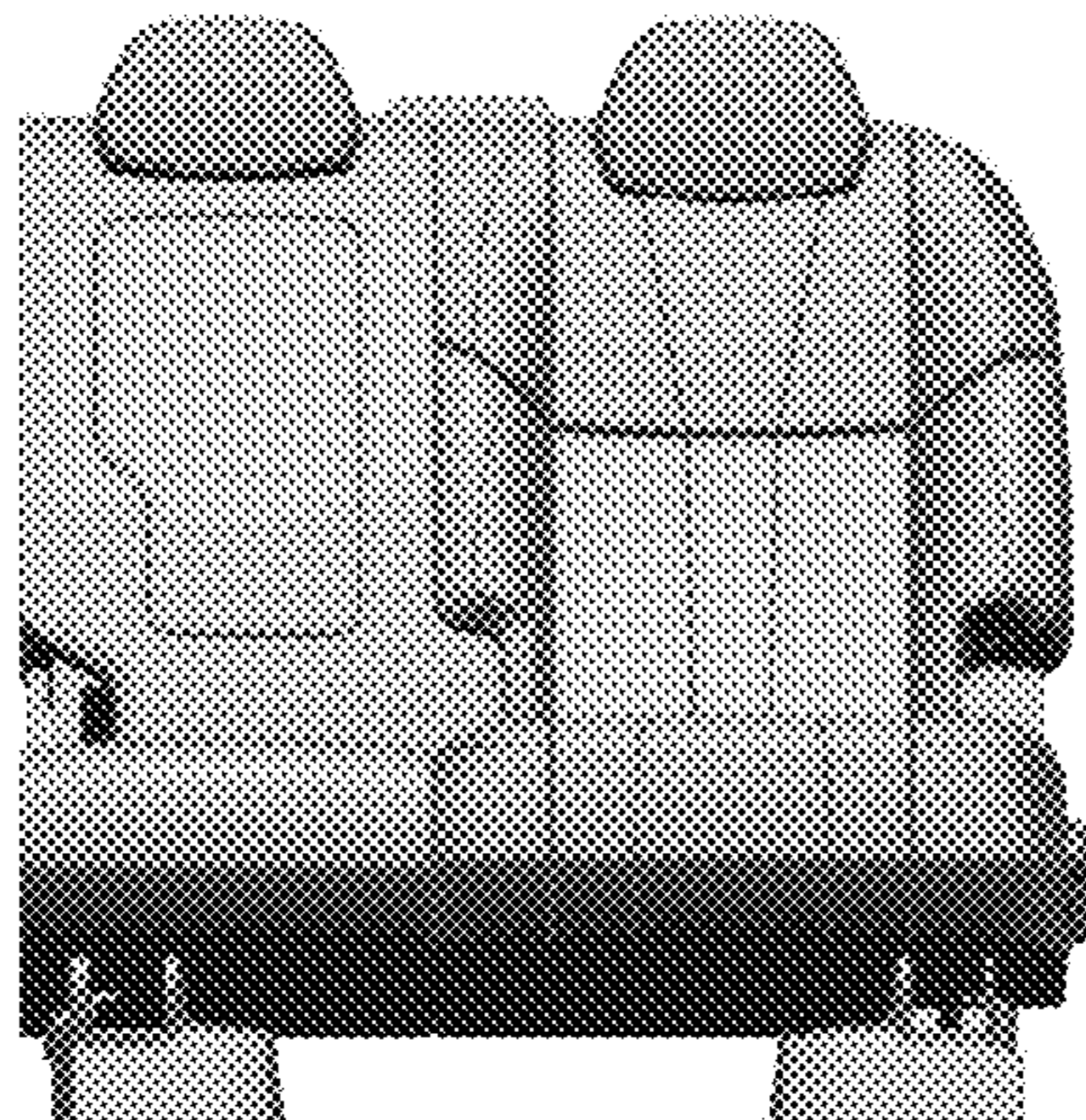
(57) **CLAIM**

We claim the ornamental design for a car seat, as shown and described.

**DESCRIPTION**

FIG. 1 is a front view of a car seat, showing our new design; FIG. 2 is a rear view thereof; FIG. 3 is a right side view thereof; FIG. 4 is a left side view thereof; FIG. 5 is a top view thereof; FIG. 6 is a bottom view thereof; and, FIG. 7 is a perspective view thereof.

**1 Claim, 7 Drawing Sheets**



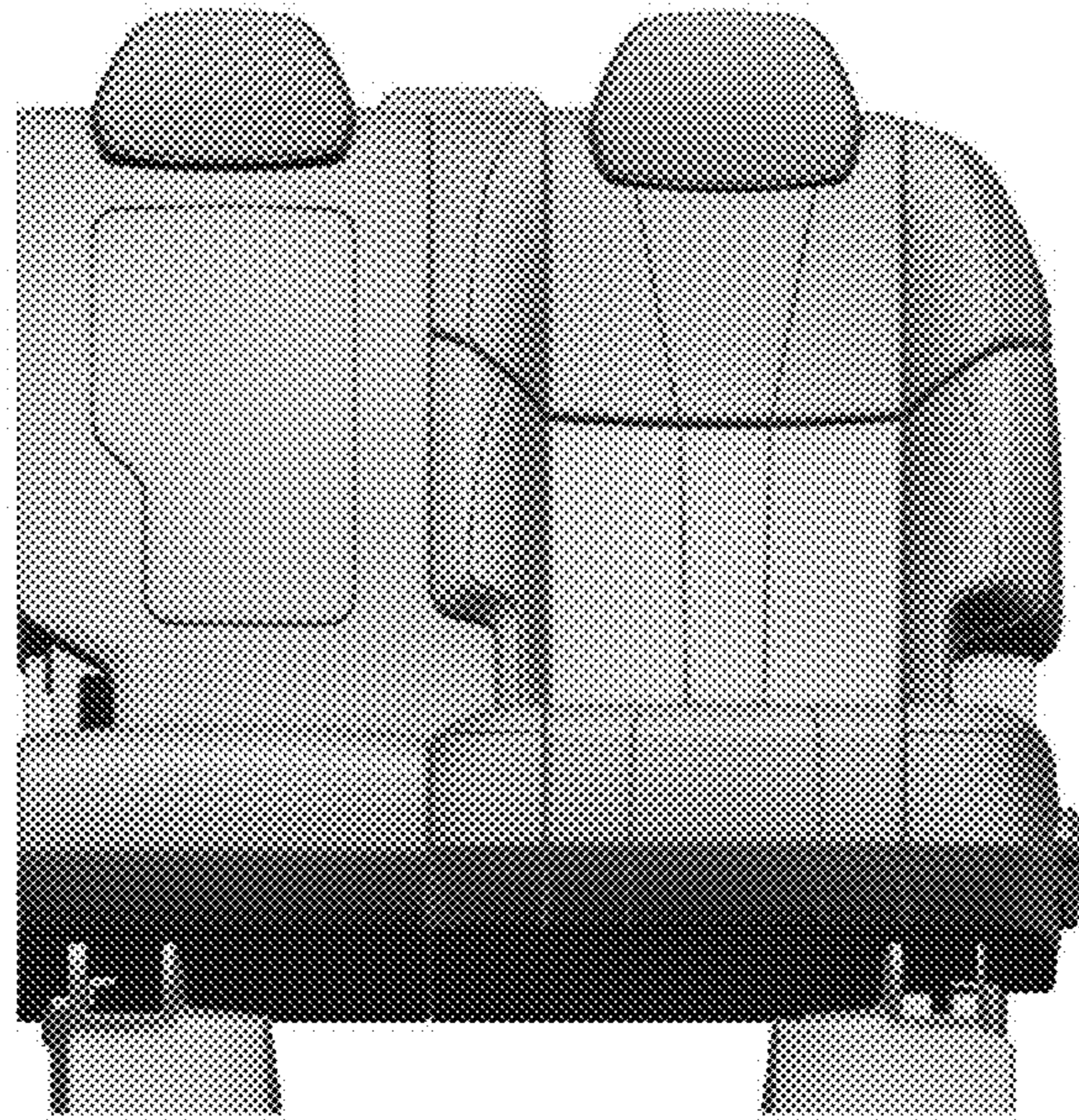


Fig. 1



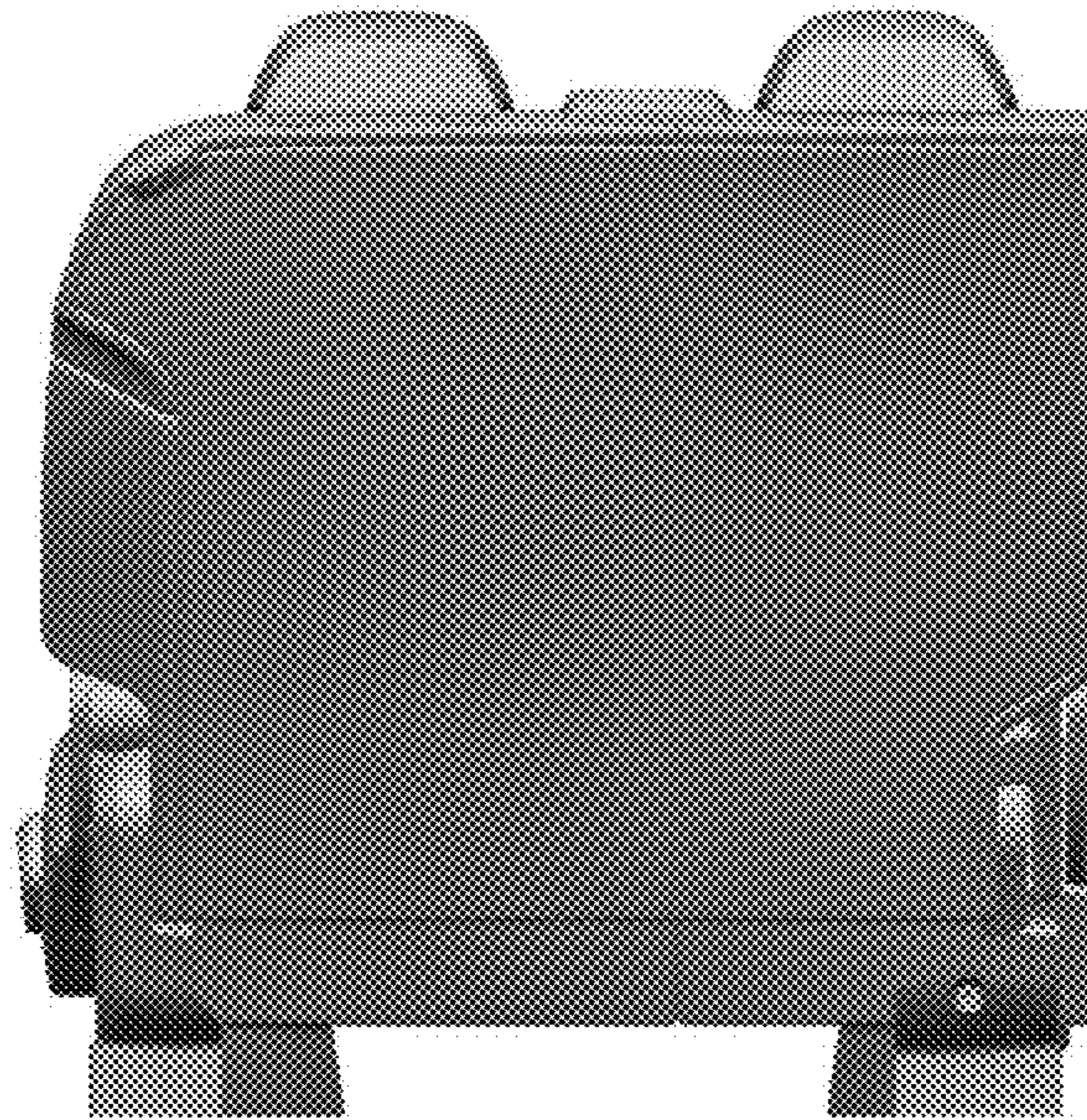


Fig. 2

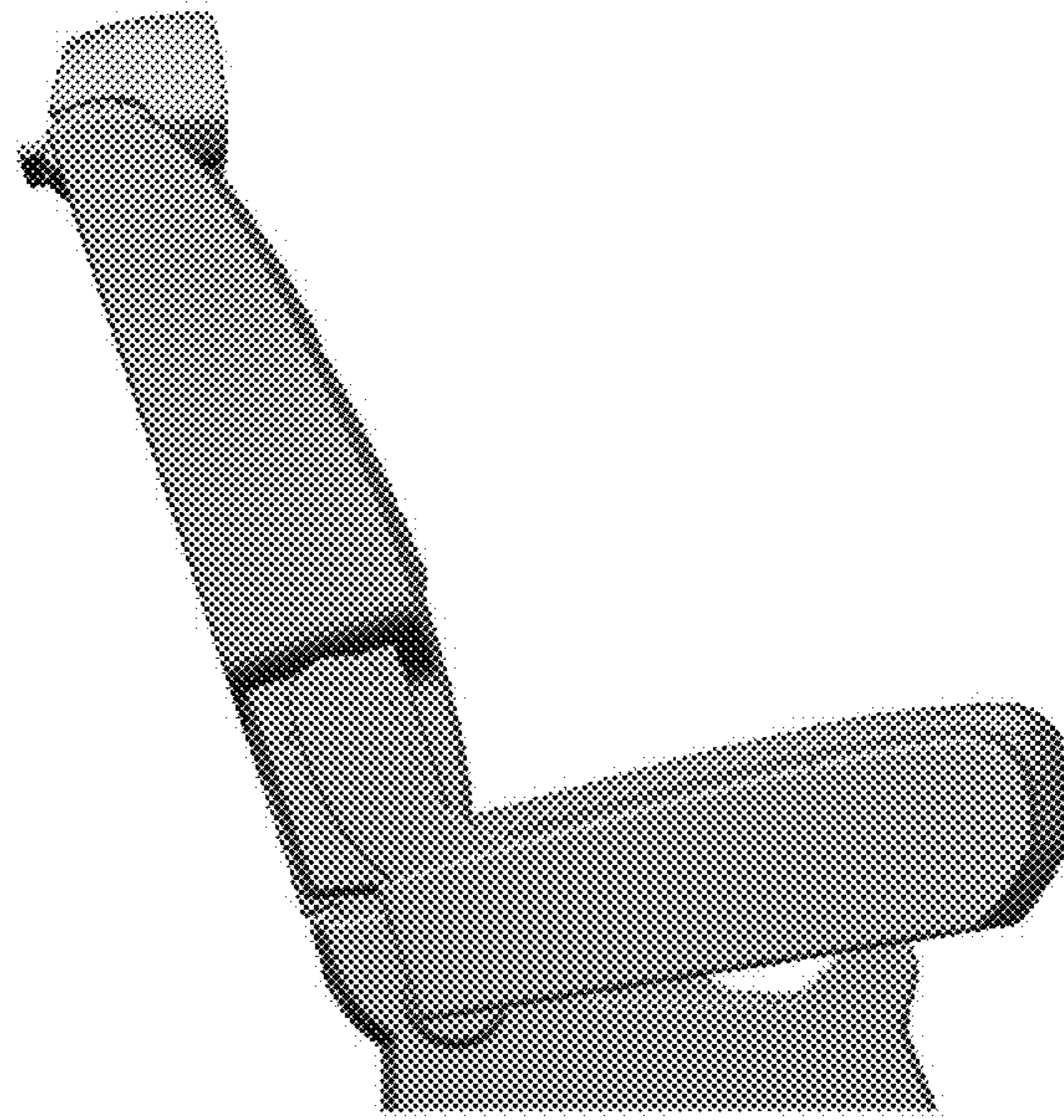


Fig. 3

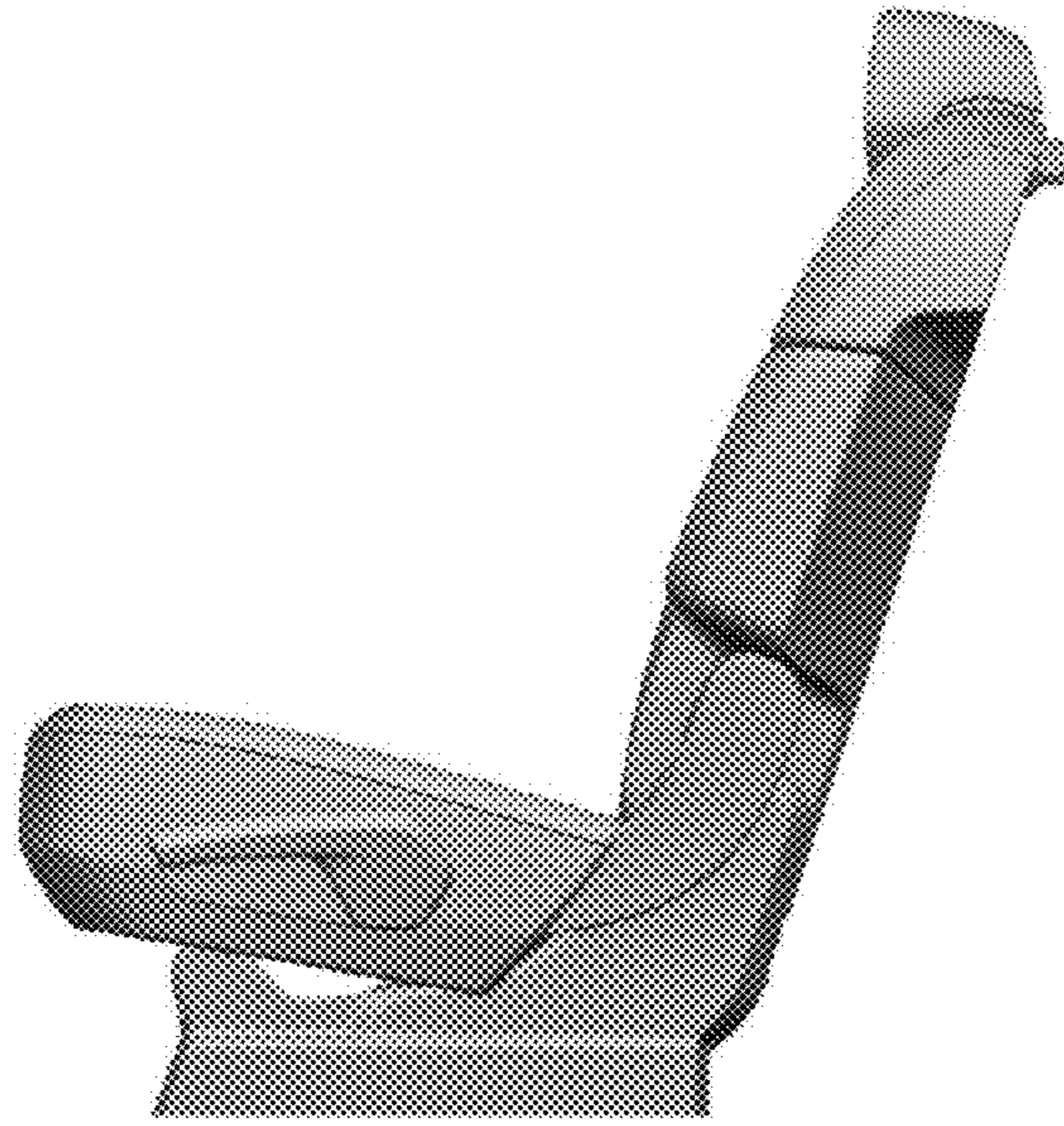


Fig. 4



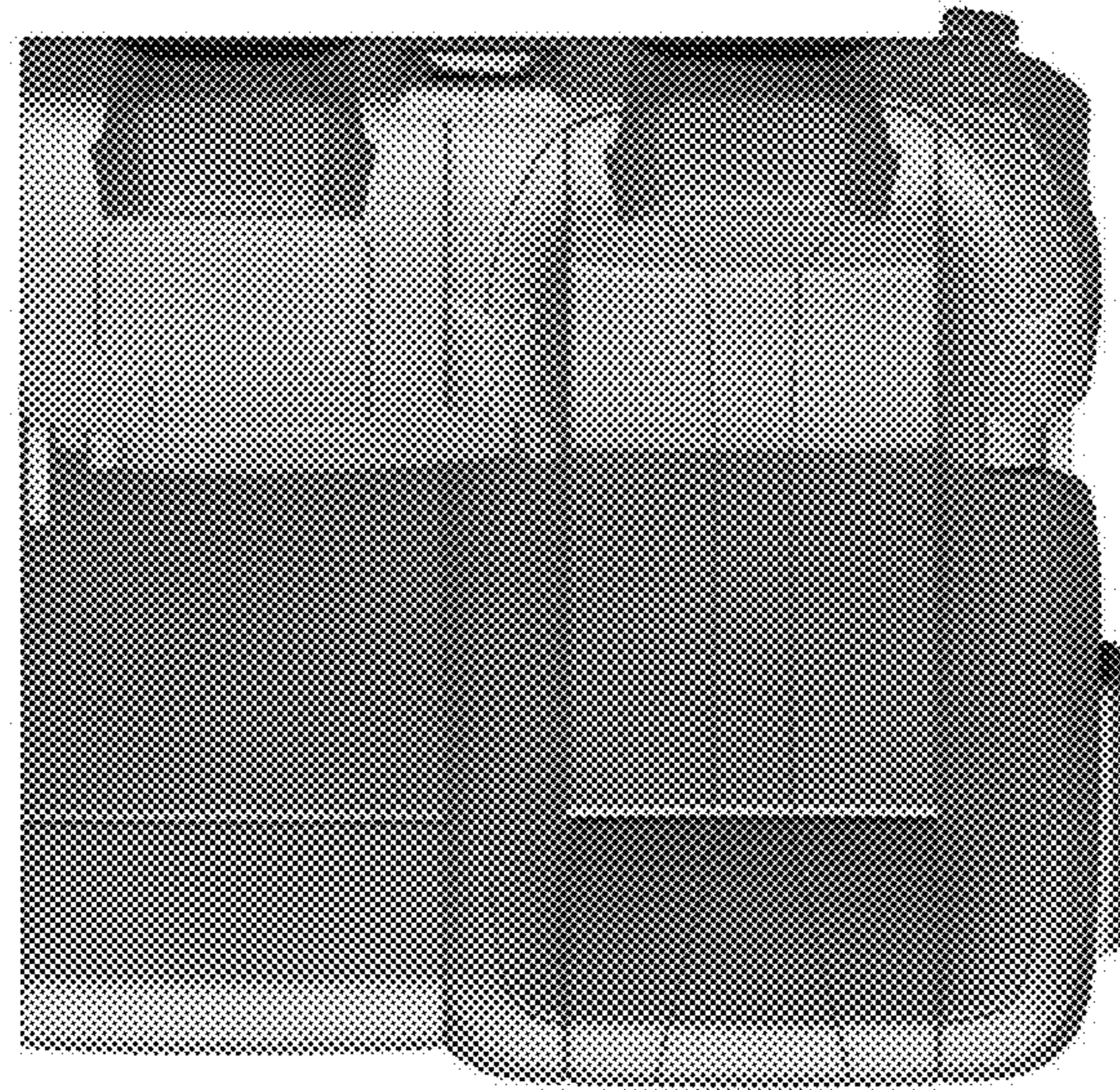


Fig. 5

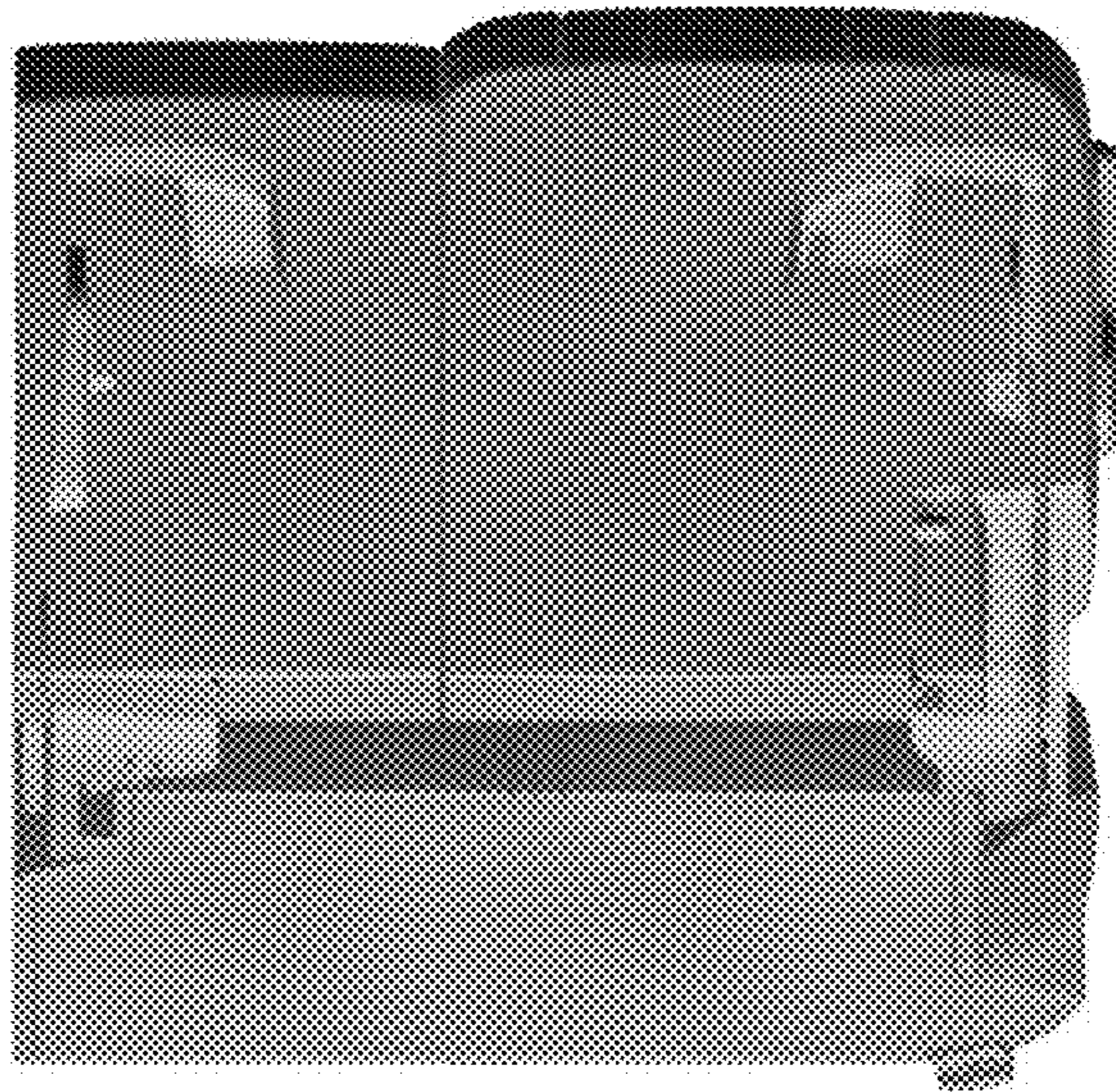


Fig. 6



Fig. 7