



US00D846903S

(12) **United States Design Patent**
Tomasson et al.

(10) **Patent No.:** **US D846,903 S**
(45) **Date of Patent:** **** Apr. 30, 2019**

(54) **CAR SEAT**

(71) Applicant: **Nio Nextev Limited**, Hong Kong (HK)

(72) Inventors: **Kris Tomasson**, Hong Kong (HK);
Jochen Paesen, Hong Kong (HK);
Julien Cueff, Hong Kong (HK); **Phil Gilman**, Hong Kong (HK)

(73) Assignee: **NIO NEXTEV LIMITED**, Hong Kong (HK)

(**) Term: **15 Years**

(21) Appl. No.: **29/616,306**

(22) Filed: **Sep. 5, 2017**

(30) **Foreign Application Priority Data**

Apr. 10, 2017 (CN) 2017 3 0115146
Apr. 17, 2017 (CN) 2017 3 0127263

(51) **LOC (11) Cl.** **06-01**

(52) **U.S. Cl.**
USPC **D6/356**

(58) **Field of Classification Search**
USPC D6/333, 334, 356, 374, 364-367, 716,
D6/716.1, 716.4
CPC ... B60N 2/00; B60N 2/24; B60N 2/64; B60N
2/643; B60N 2/646; B60N 2/80; B60N
2/90

See application file for complete search history.

(56) **References Cited**

U.S. PATENT DOCUMENTS

D463,172 S * 9/2002 Tsai D6/366
D513,132 S * 12/2005 Yamazaki D6/356
D576,811 S * 9/2008 Wyszogrod D6/356
D578,315 S * 10/2008 Wyszogrod D6/356

D614,879 S * 5/2010 Higashida D6/356
D615,311 S * 5/2010 Fleming D6/356
D774,319 S * 12/2016 Ingenlath D6/356
D830,713 S * 10/2018 Iida D6/356
2006/0152025 A1 * 7/2006 Tomasson B60N 2/01
296/24.3
2013/0127225 A1 * 5/2013 Kono B60N 2/64
297/452.18
2013/0134760 A1 * 5/2013 Sutton B29C 45/1671
297/391
2016/0137112 A1 * 5/2016 Tabata B60N 2/5825
297/452.38
2017/0001548 A1 * 1/2017 Iwakata B60N 2/58

OTHER PUBLICATIONS

NIO, posted at Theverge.com, posted on Dec. 18, 2017, site visited Nov. 20, 2018. online, available from internet: <https://www.theverge.com/2017/12/18/16790920/nio-es8-electric-suv-price-specs-china>.*

* cited by examiner

Primary Examiner — Mary Ann Calabrese

Assistant Examiner — Catherine Ho

(74) *Attorney, Agent, or Firm* — Hogan Lovells US LLP

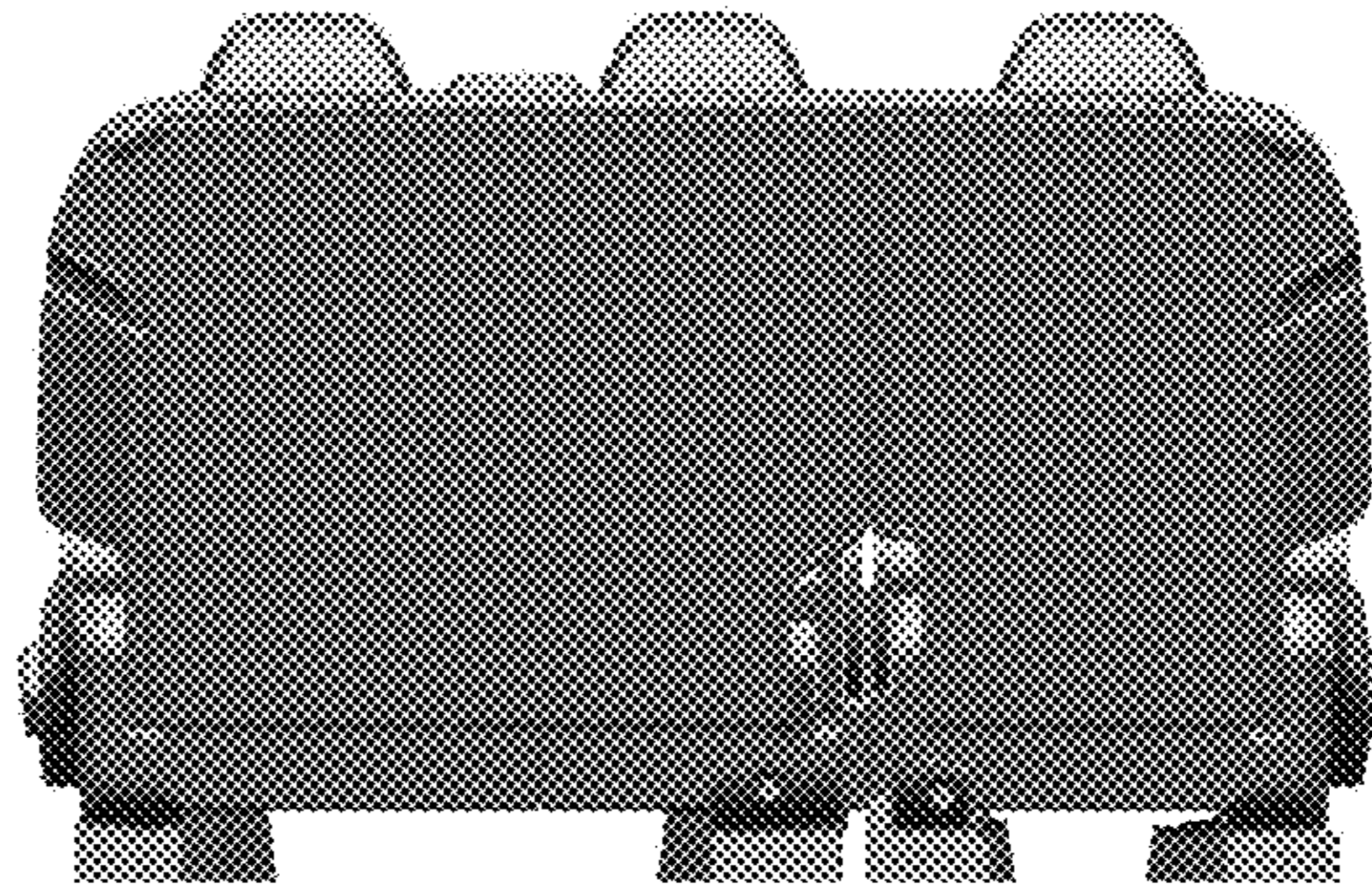
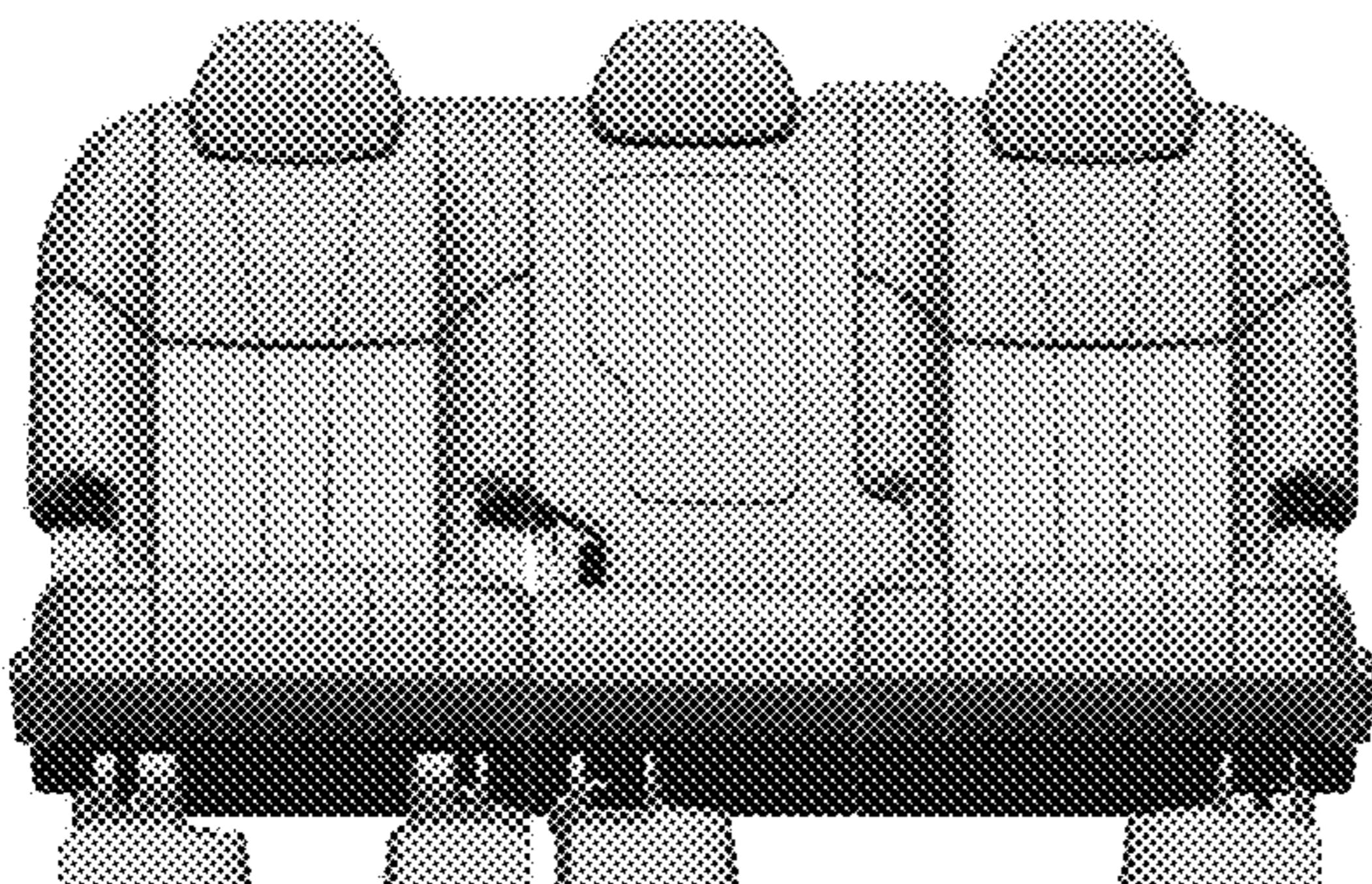
(57) **CLAIM**

We claim the ornamental design for a car seat, as shown and described.

DESCRIPTION

FIG. 1 is a front view of a car seat, showing our new design; FIG. 2 is a rear view thereof; FIG. 3 is a right side view thereof; FIG. 4 is a left side view thereof; FIG. 5 is a top view thereof; FIG. 6 is a bottom view thereof; and, FIG. 7 is a perspective view thereof.

1 Claim, 7 Drawing Sheets



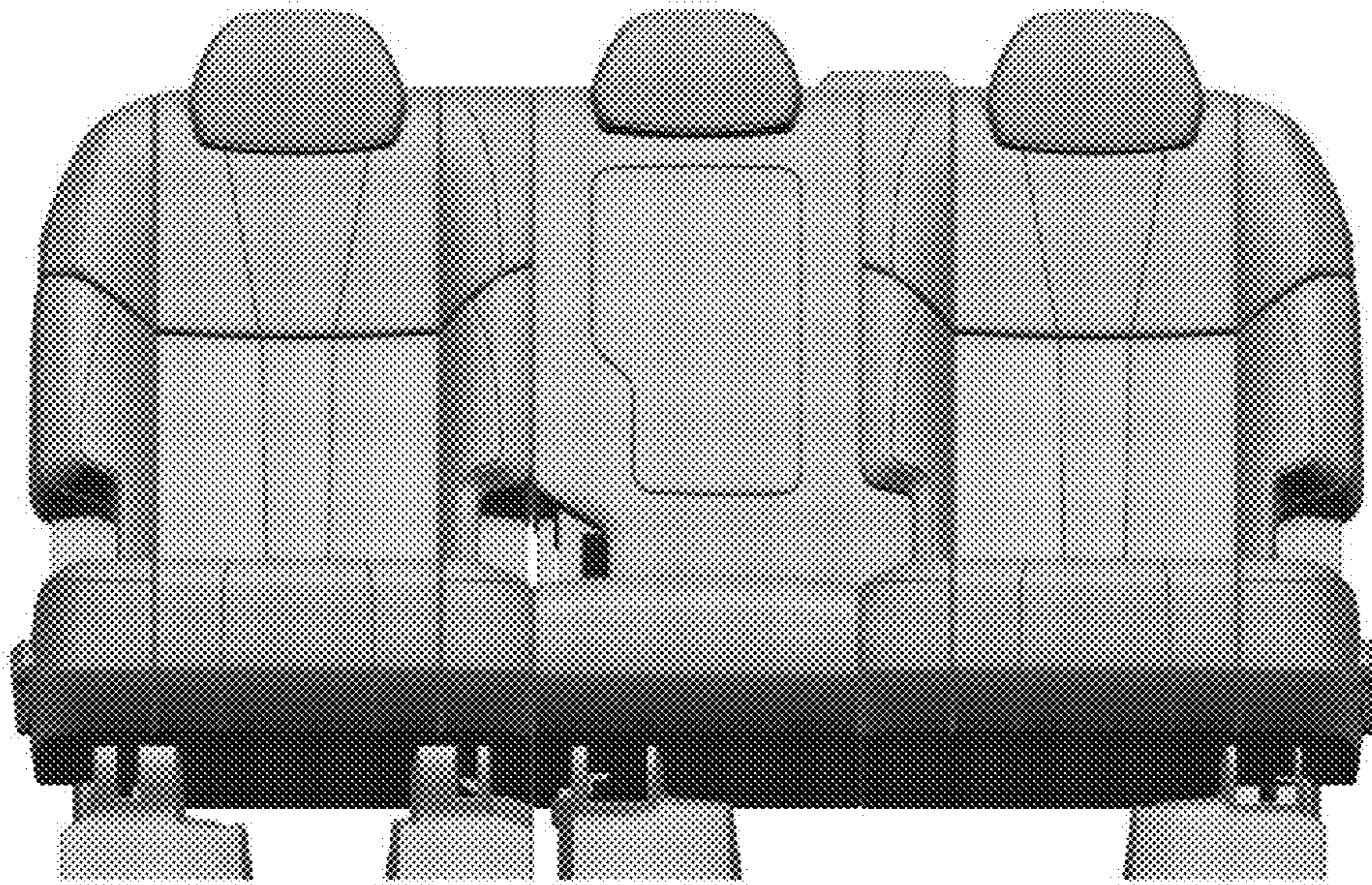


Fig. 1

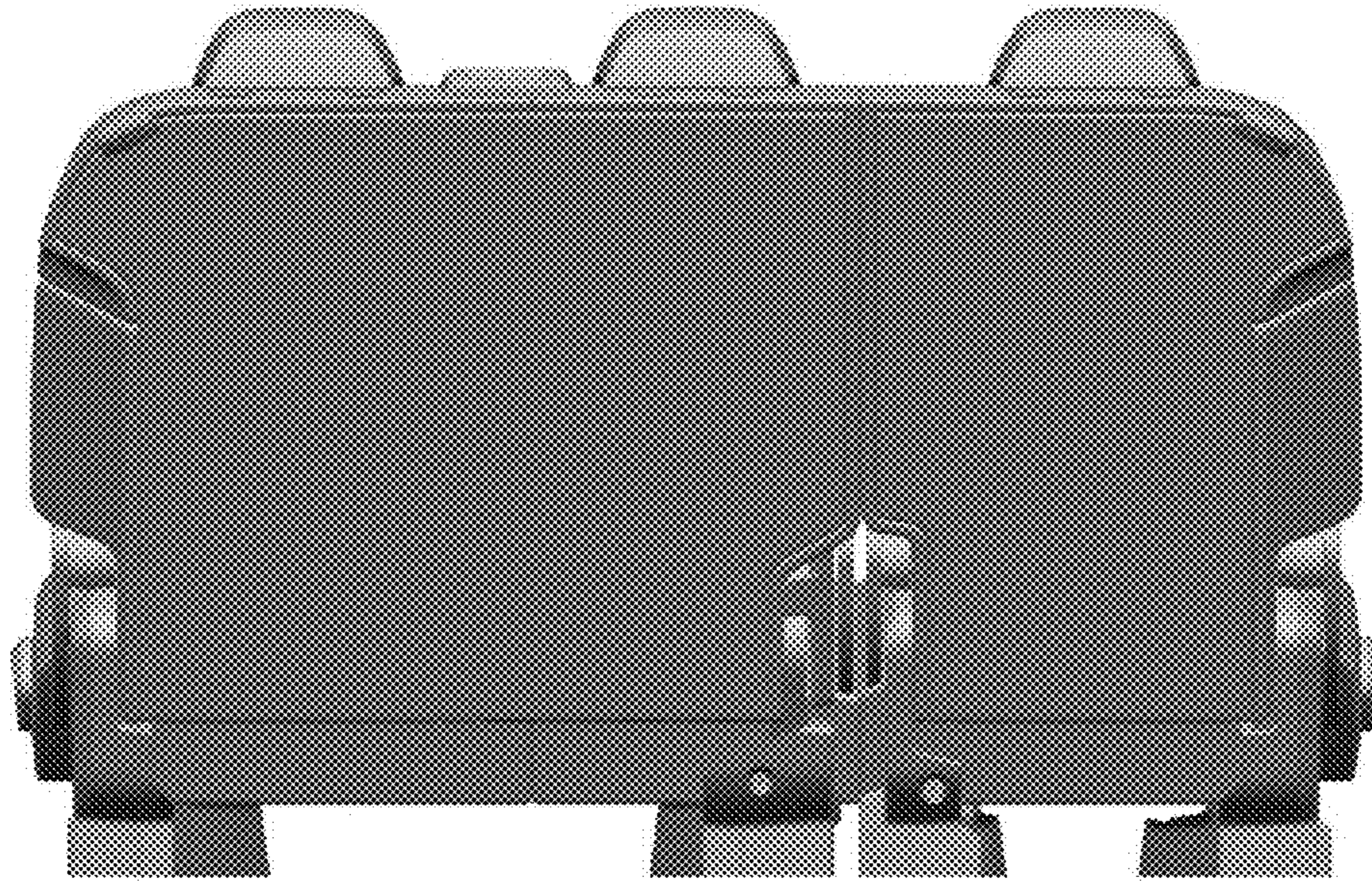


Fig. 2

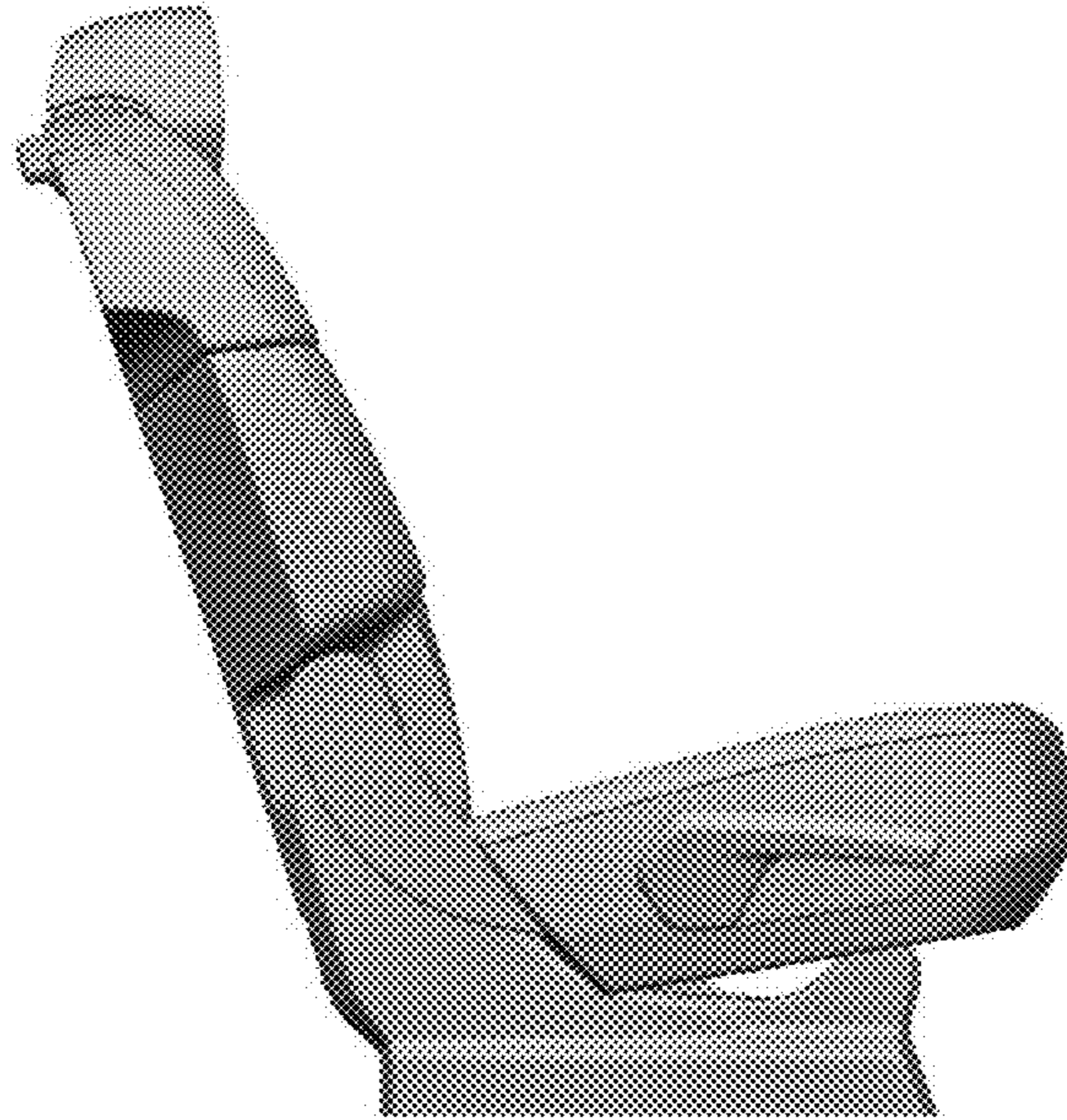


Fig. 3

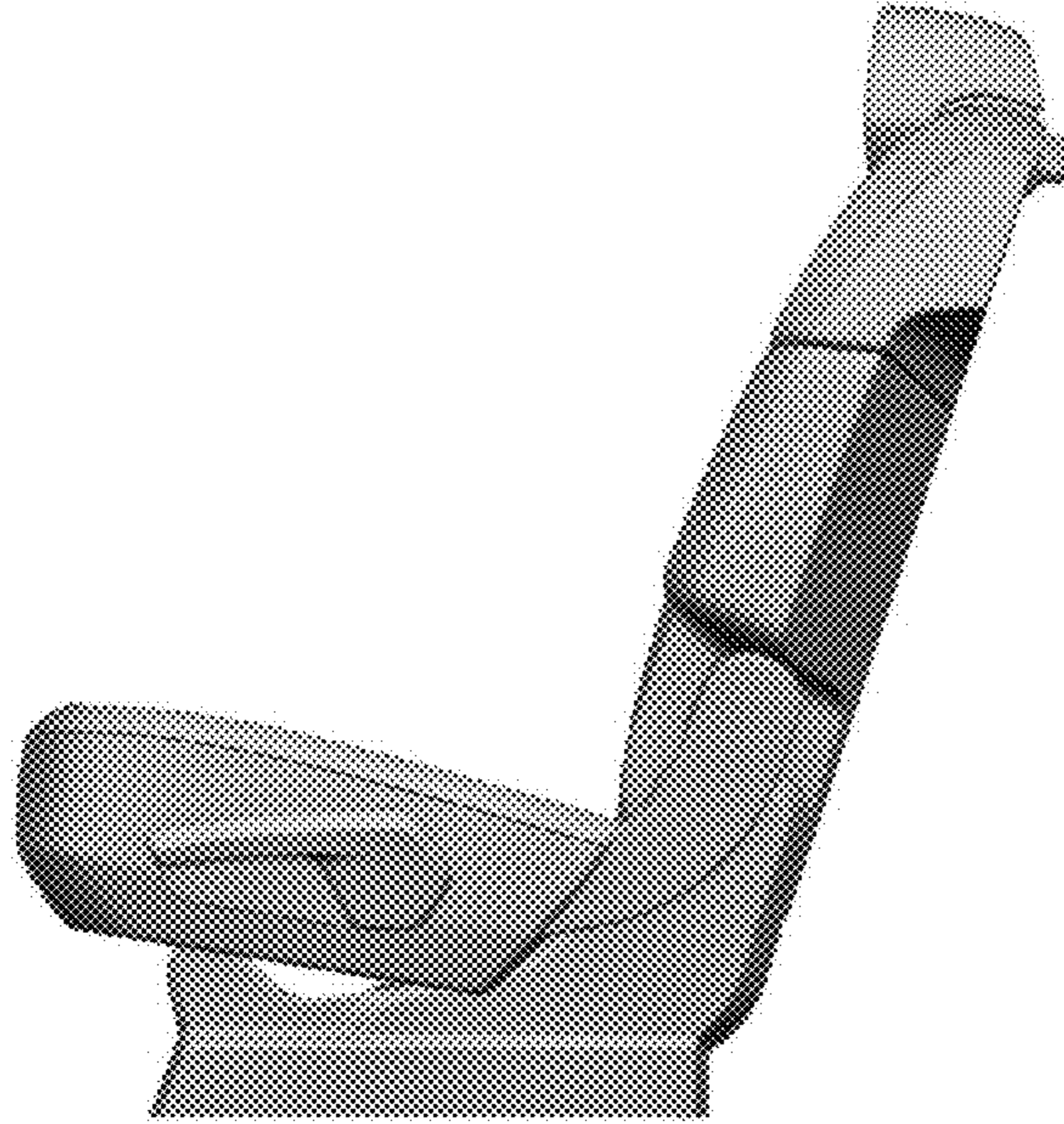


Fig. 4

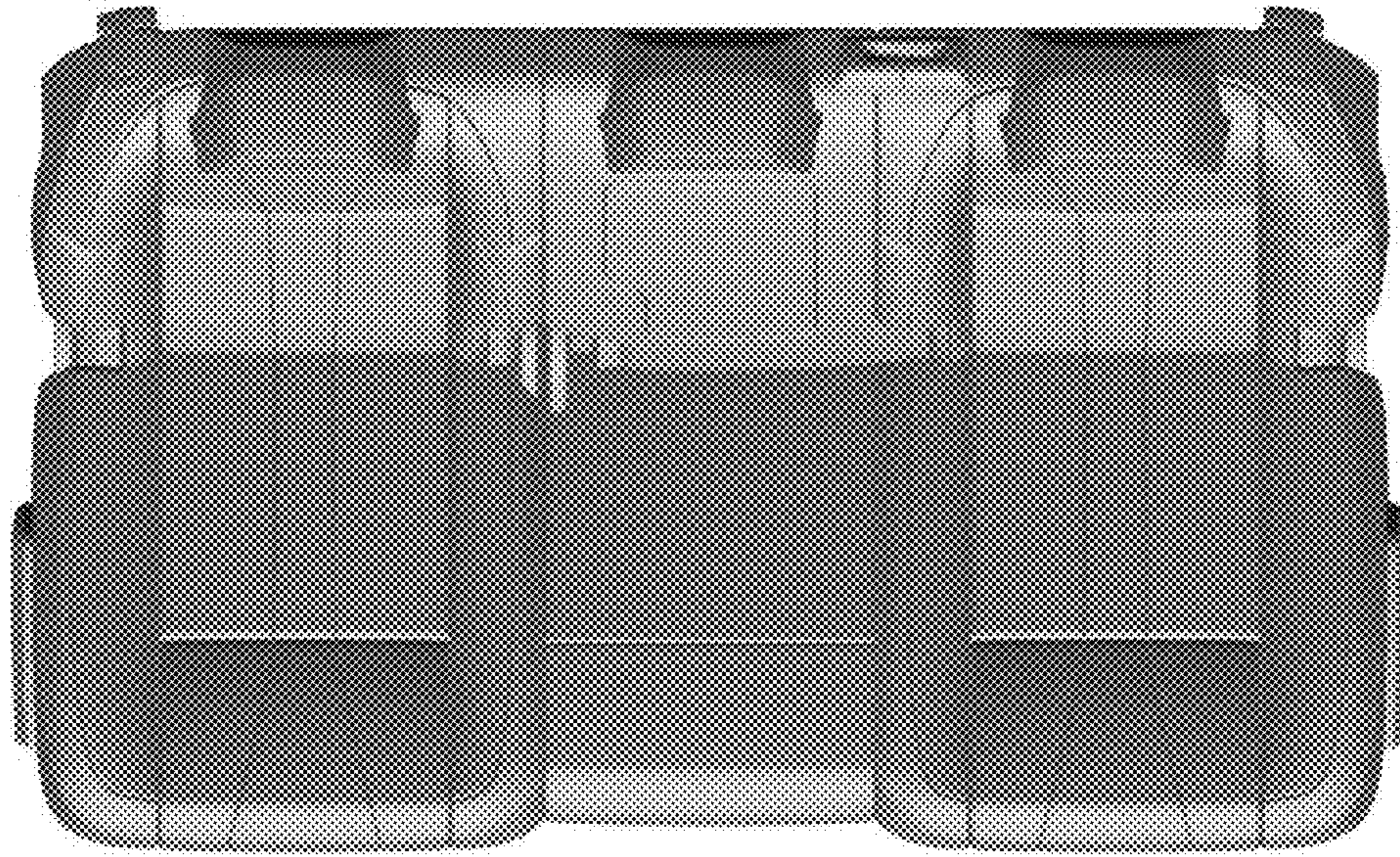


Fig. 5

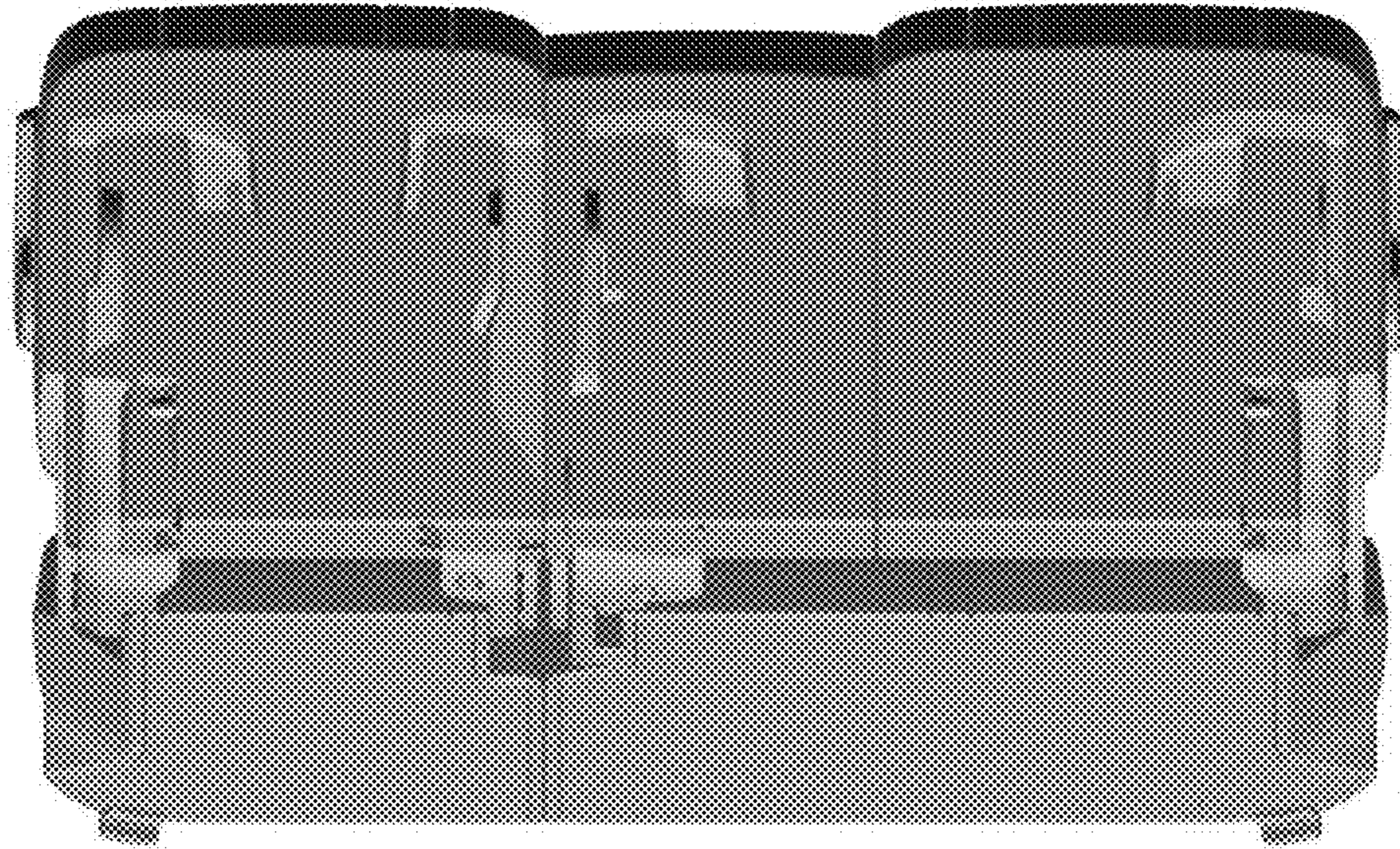


Fig. 6



Fig. 7