



US00D846901S

(12) **United States Design Patent** (10) **Patent No.:** **US D846,901 S**
Jelec (45) **Date of Patent:** **** Apr. 30, 2019**

(54) **BENCH SEAT FOR A VEHICLE**
(71) Applicant: **Jaguar Land Rover Limited**, Whitley, Coventry (GB)
(72) Inventor: **Tadeusz Jelec**, Coventry (GB)
(73) Assignee: **Jaguar Land Rover Limited**, Whitley, Coventry (GB)

(**) Term: **15 Years**
(21) Appl. No.: **29/615,846**
(22) Filed: **Aug. 31, 2017**

(30) **Foreign Application Priority Data**
Mar. 16, 2017 (EM) 003802453-0001
(51) **LOC (11) Cl.** **06-01**
(52) **U.S. Cl.**
USPC **D6/356**
(58) **Field of Classification Search**
USPC D6/333, 334, 356, 374, 376, 364-367, D6/716, 716.1, 716.4
CPC ... B60N 2/00; B60N 2/24; B60N 2/64; B60N 2/643; B60N 2/646; B60N 2/80; B60N 2/90

See application file for complete search history.

(56) **References Cited**
U.S. PATENT DOCUMENTS

D463,172 S * 9/2002 Tsai D6/366
D513,132 S * 12/2005 Yamazaki D6/356
D576,811 S * 9/2008 Wyszogrod D6/356
D578,315 S * 10/2008 Wyszogrod D6/356
D614,879 S * 5/2010 Higashida D6/356
D615,311 S * 5/2010 Fleming D6/356
D774,319 S * 12/2016 Ingenlath D6/356
D830,713 S * 10/2018 Iida D6/356
2006/0152025 A1 * 7/2006 Tomasson B60N 2/01 296/24.3

2013/0127225 A1* 5/2013 Kono B60N 2/64 297/452.18
2013/0134760 A1* 5/2013 Sutton B29C 45/1671 297/391
2016/0137112 A1* 5/2016 Tabata B60N 2/5825 297/452.38
2017/0001548 A1* 1/2017 Iwakata B60N 2/58

OTHER PUBLICATIONS

Land Rover Discovery Sport Interior, posted at Youtube.com, posted on Nov. 14, 2014, site visited Nov. 20, 2018. online, available from internet: <https://www.youtube.com/watch?v=lwfwxJCGrY>.
Land Rover Discovery Sport '18, posted at Youtube.com, posted on May 19, 2018, site visited Nov. 20, 2018. online, available from internet: <https://www.youtube.com/watch?v=cZm6ASHmRA0>.

* cited by examiner

Primary Examiner — Mary Ann Calabrese
Assistant Examiner — Catherine Ho
(74) *Attorney, Agent, or Firm* — Wood Herron & Evans LLP

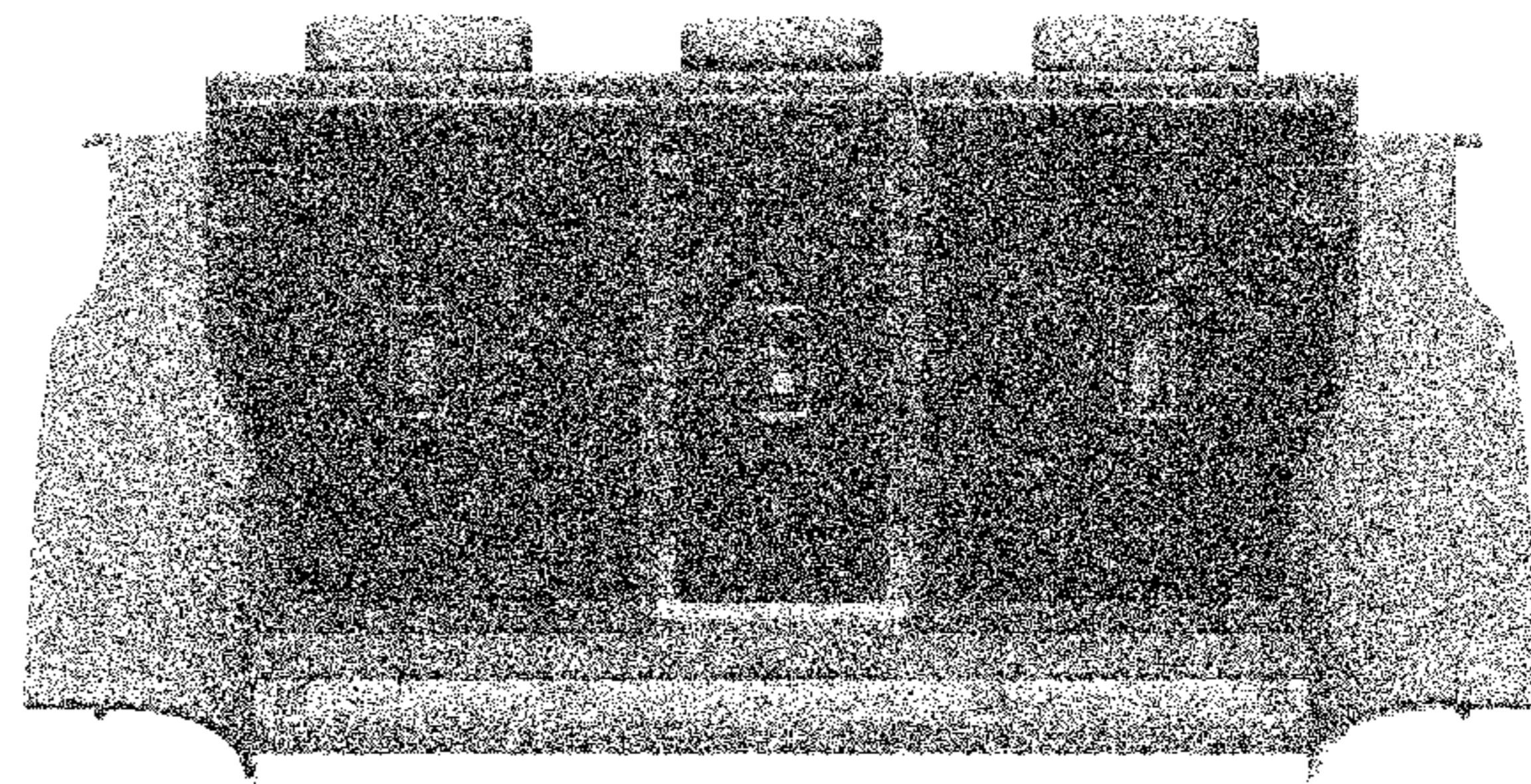
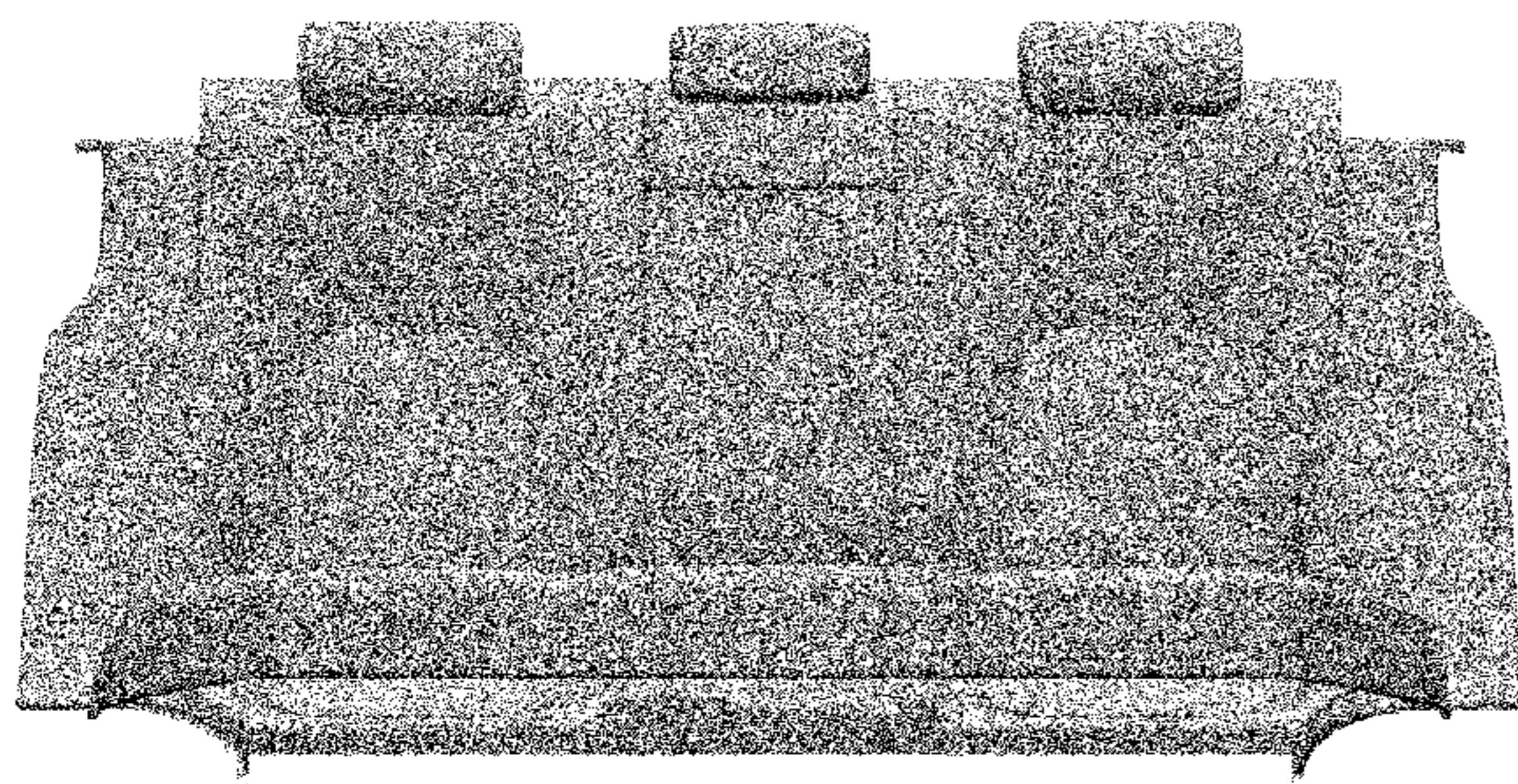
(57) **CLAIM**

The ornamental design for a bench seat for a vehicle, as shown and described.

DESCRIPTION

FIG. 1 is a front left perspective view of a bench seat for a vehicle according to the present invention.
FIG. 2 is a front right perspective view of the bench seat for a vehicle shown in FIG. 1.
FIG. 3 is a rear left perspective view thereof.
FIG. 4 is a rear right perspective view thereof.
FIG. 5 is a front view thereof.
FIG. 6 is a rear view thereof.
FIG. 7 is a left side view thereof.
FIG. 8 is a right side view thereof; and,
FIG. 9 is a top view thereof.

1 Claim, 9 Drawing Sheets



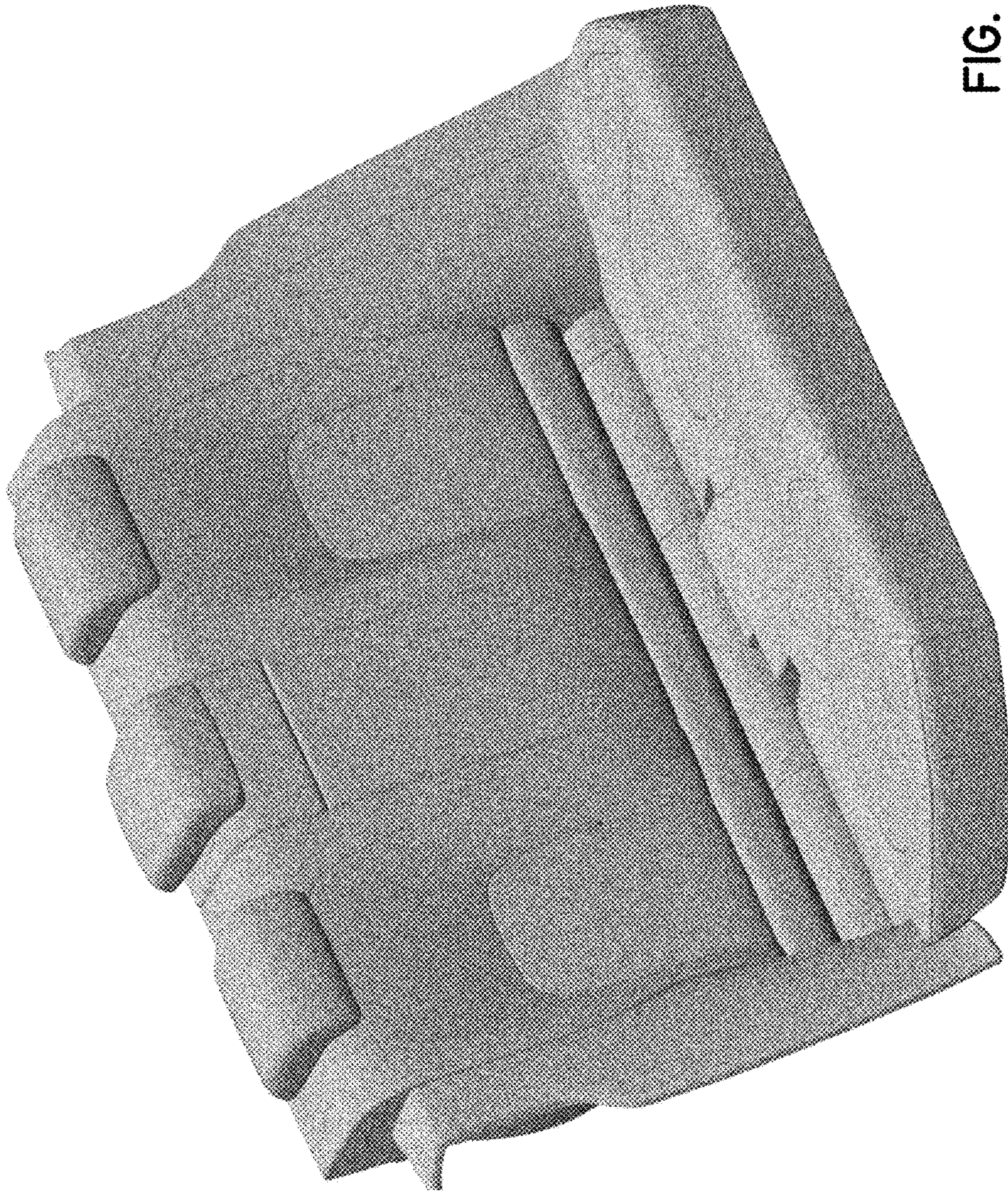


FIG. 1

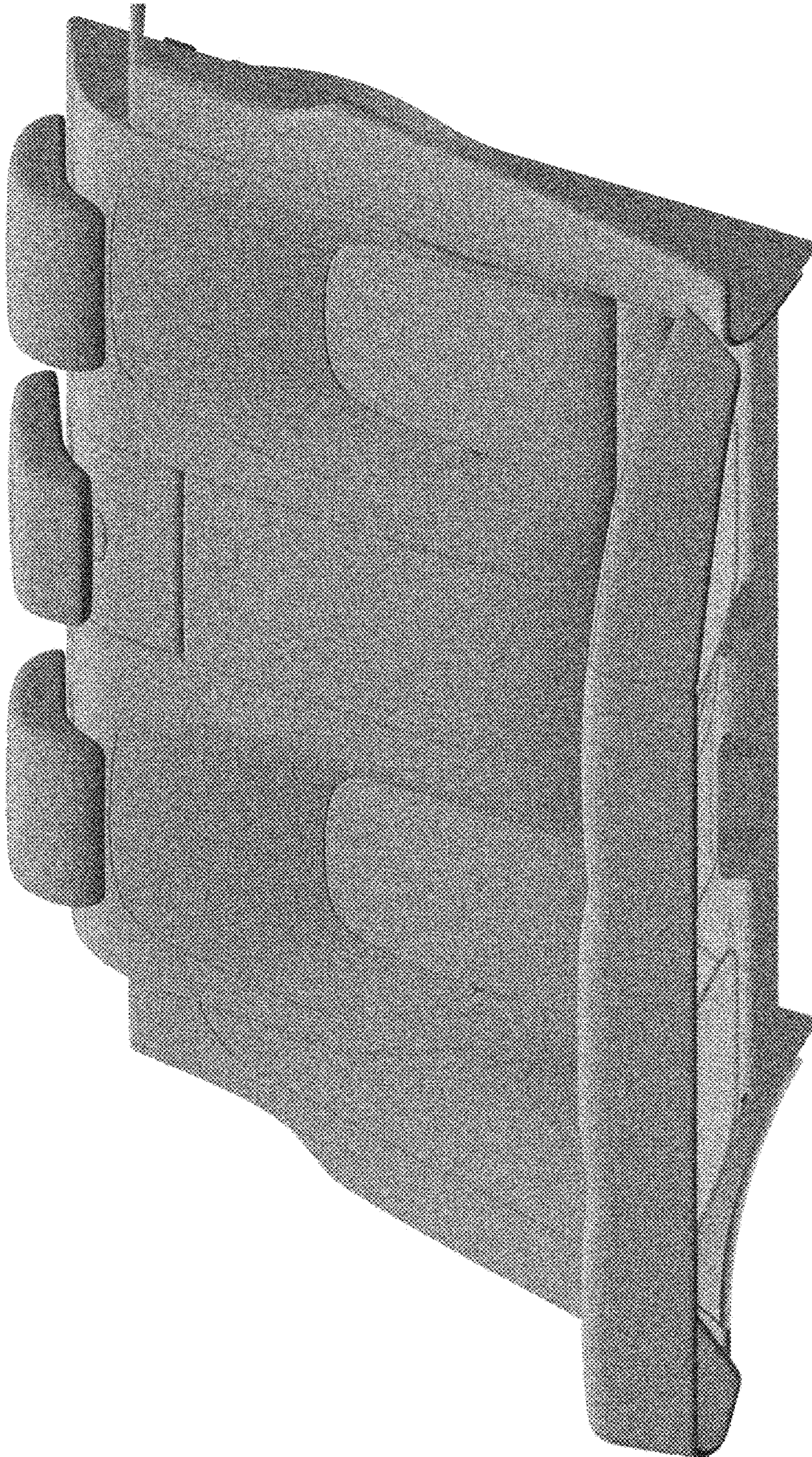


FIG. 2

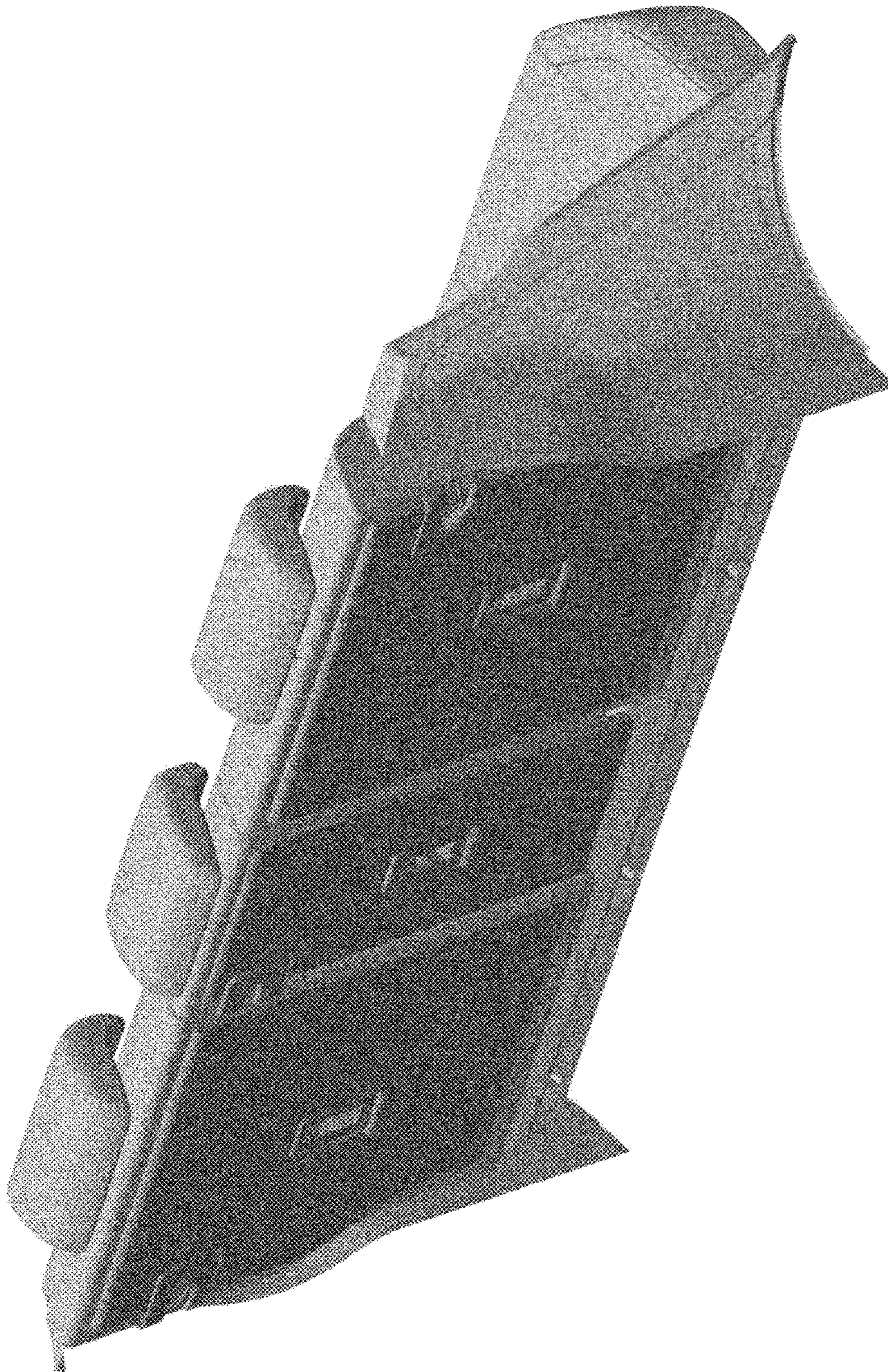


FIG. 3

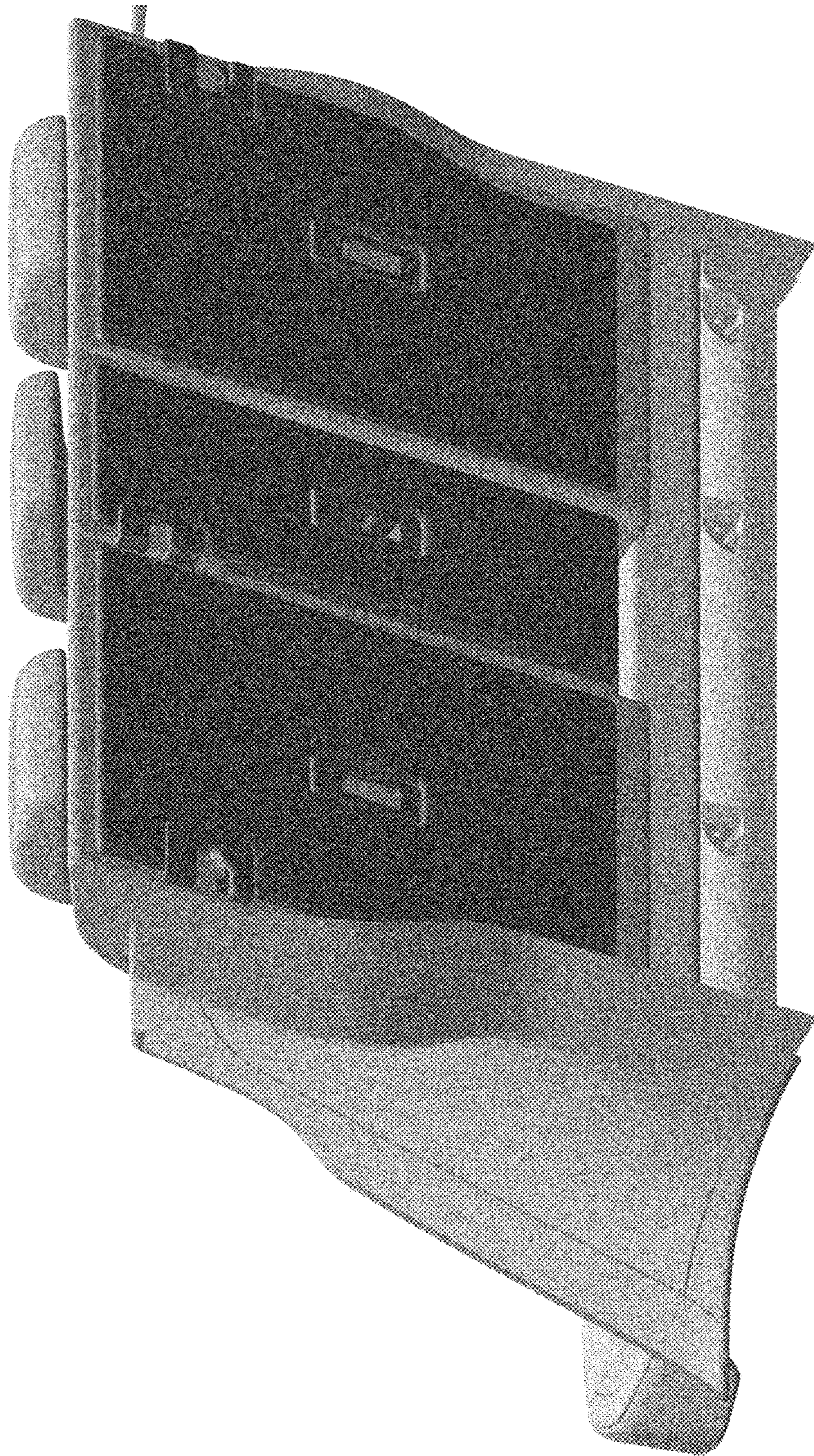


FIG. 4

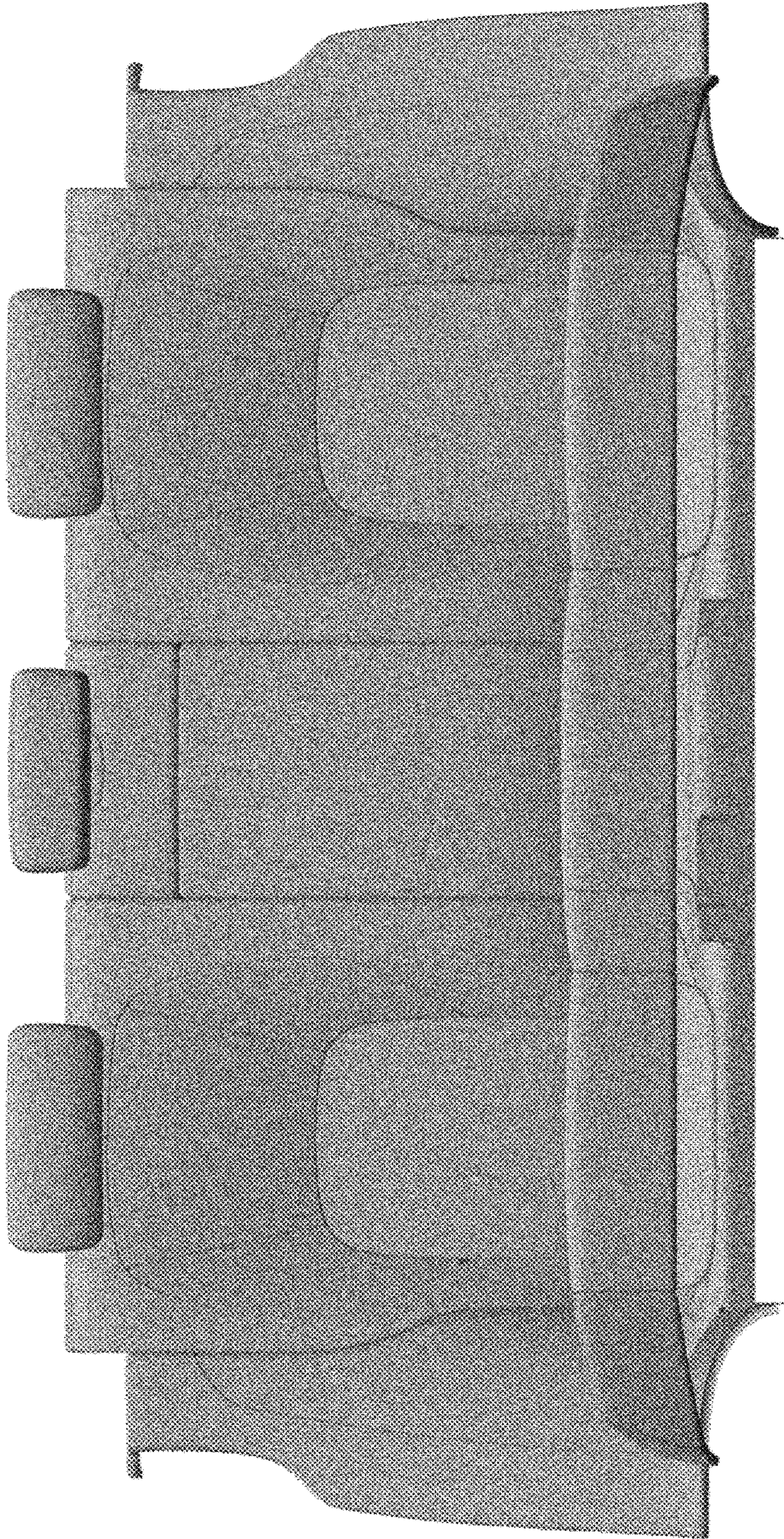


FIG. 5

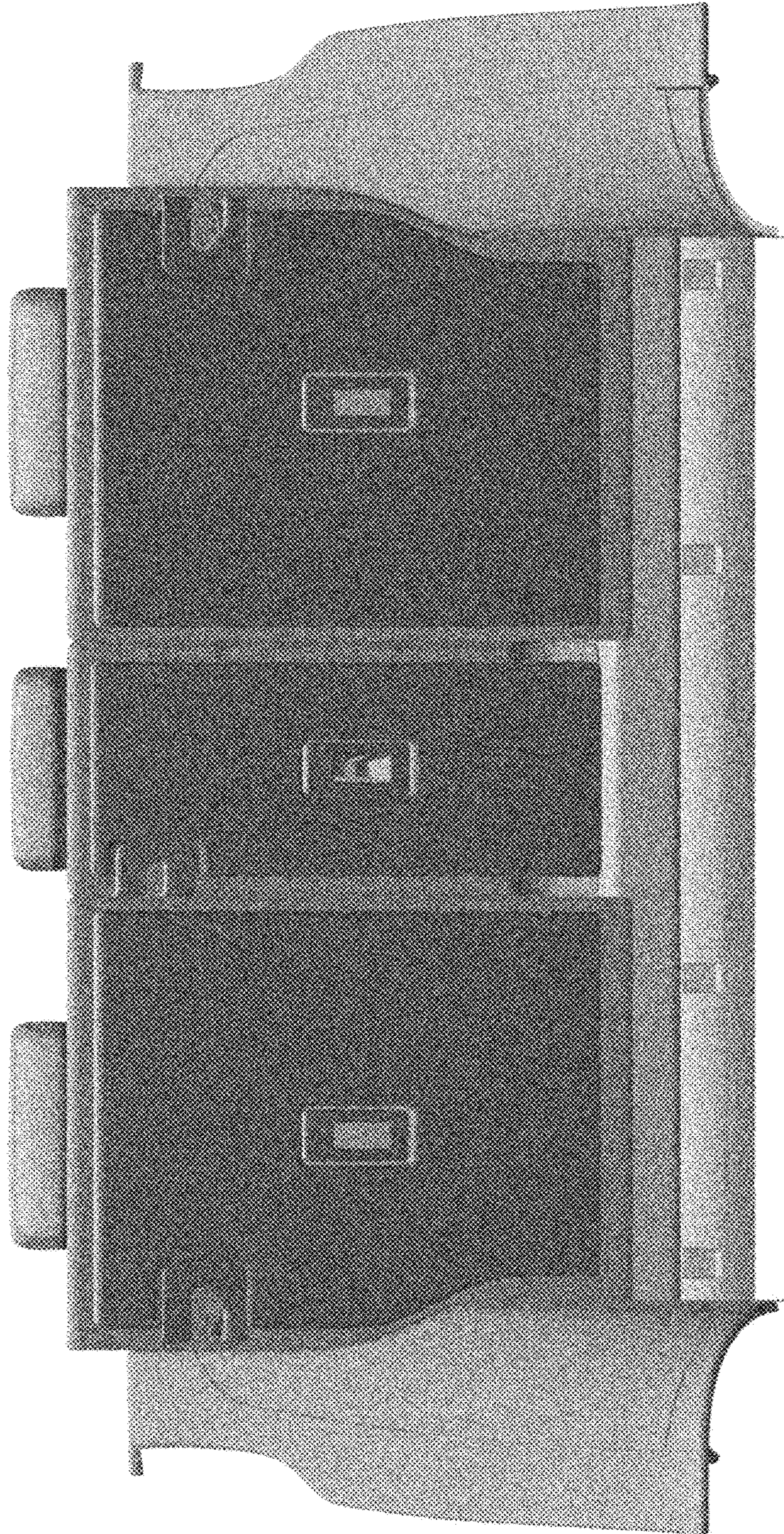


FIG. 6

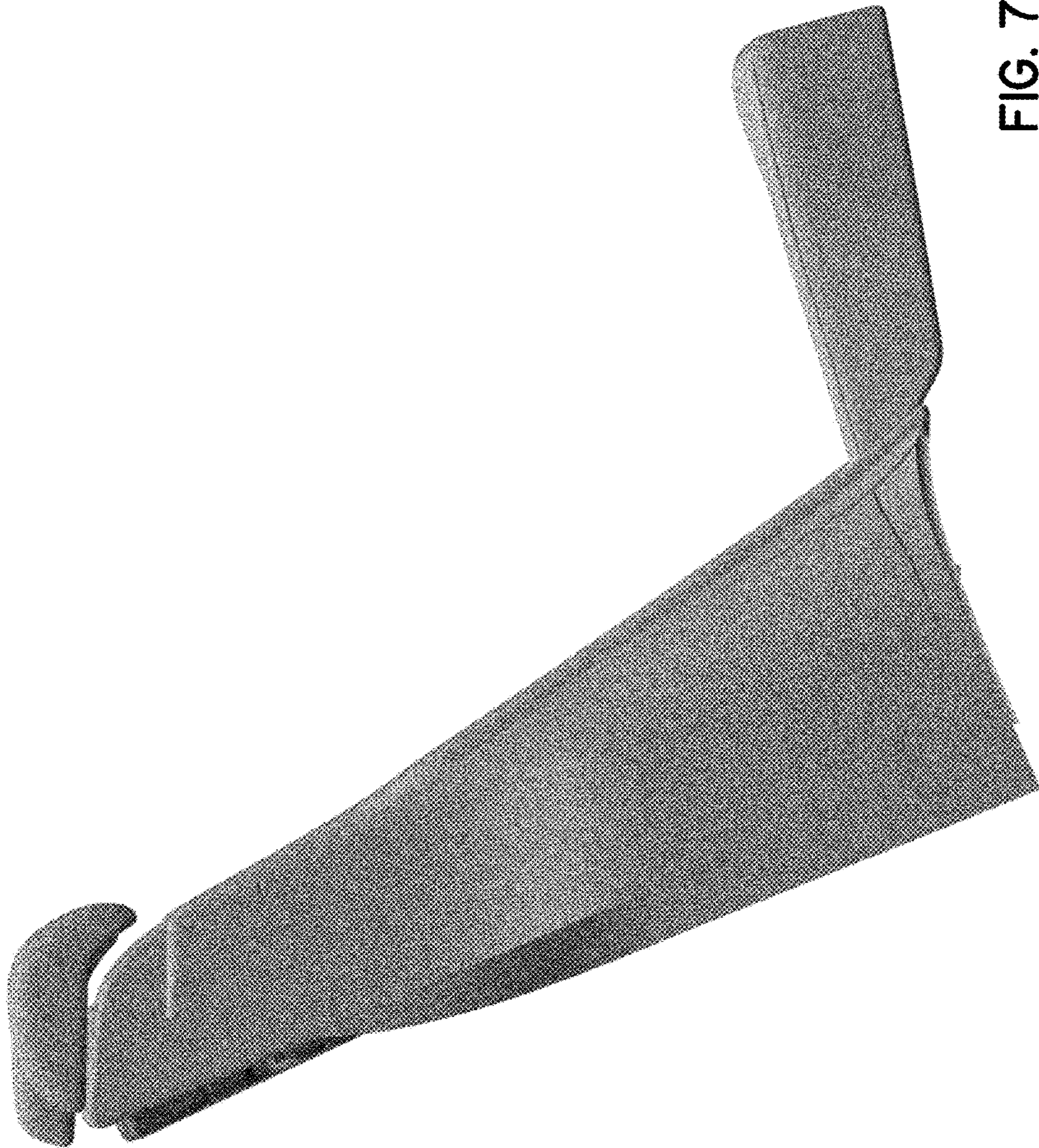


FIG. 7

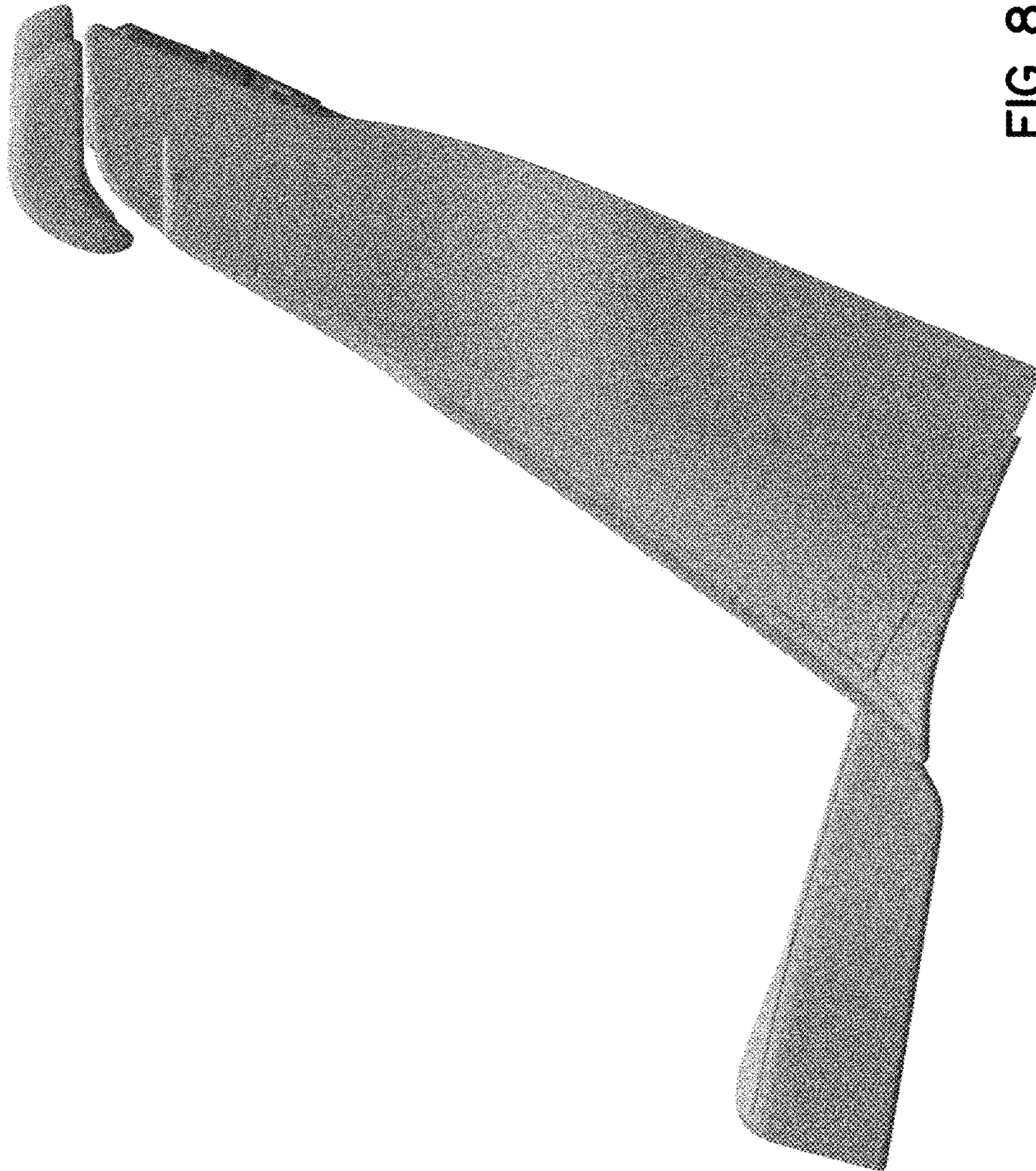


FIG. 8

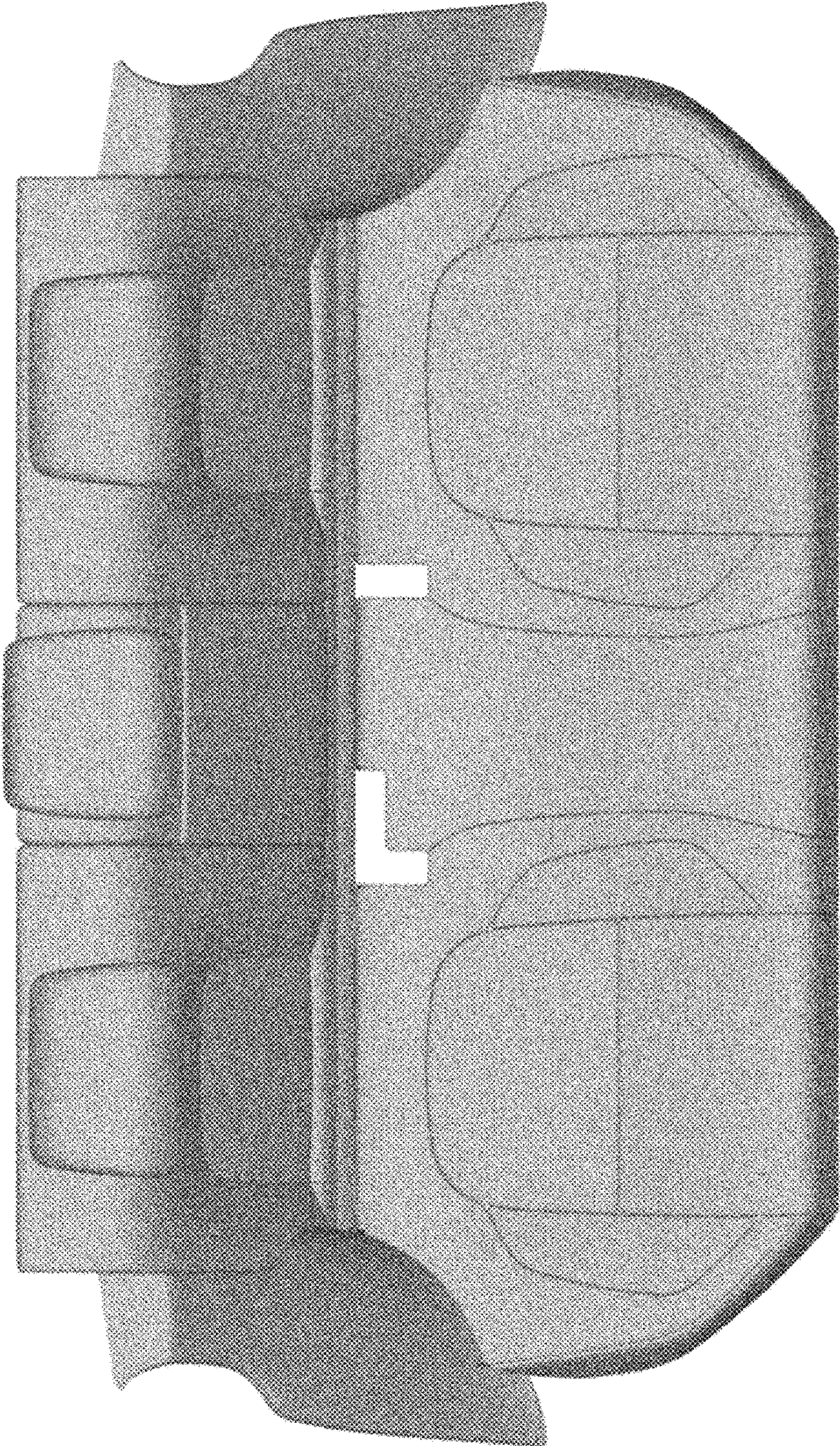


FIG. 9