



US00D846899S

(12) **United States Design Patent** (10) **Patent No.:** **US D846,899 S**
Toll (45) **Date of Patent:** **** Apr. 30, 2019**

(54) **BICYCLE SEAT**
(71) Applicant: **ISM Saddles, LLC**, Lutz, FL (US)
(72) Inventor: **Steven G. Toll**, Tampa, FL (US)
(73) Assignee: **ISM Saddles, LLC**, Lutz, FL (US)
(**) Term: **15 Years**
(21) Appl. No.: **29/618,684**
(22) Filed: **Sep. 22, 2017**
(51) **LOC (11) Cl.** **06-01**
(52) **U.S. Cl.**
USPC **D6/354**
(58) **Field of Classification Search**
USPC D6/340, 354; D12/110, 111
CPC ... B62J 1/002; B62J 1/005; B62J 1/007; B62J
1/26
See application file for complete search history.

623,238 A 4/1899 Davis
629,956 A 8/1899 Craig
635,598 A 10/1899 Rowe
654,720 A 7/1900 Engelbert
701,390 A 6/1902 Provoost
872,124 A 11/1907 Hammaren
1,462,976 A 9/1922 Mesinger
(Continued)

FOREIGN PATENT DOCUMENTS

EP 1444127 11/2004
EP 2910458 8/2015
(Continued)

OTHER PUBLICATIONS

Leibovitch et al., "The Vicious Cycling: Bicycling Related Uro-
genital Disorders", *European Urology* 47, pp. 277-287 (2005).
(Continued)

Primary Examiner — Natasha Vujcic
(74) *Attorney, Agent, or Firm* — Akerman LLP; Peter A.
Chiabotti

(56) **References Cited**

U.S. PATENT DOCUMENTS

642,191 A 1/1890 Wright
464,653 A 12/1891 Latta
532,444 A 1/1895 Christy
D24,139 S * 3/1895 Christy D6/354
537,375 A 4/1895 Wright et al.
568,626 A 9/1896 Pierce et al.
570,497 A 11/1896 Pattison
572,062 A 11/1896 Peck
D27,616 S * 8/1897 Rusch D6/354
D28,433 S 3/1898 Hollenbeck
D28,434 S 3/1898 Hollenbeck
602,732 A 4/1898 Craig
605,151 A 6/1898 Twist
608,682 A 8/1898 Jamieson
612,552 A 10/1898 Standeford
612,972 A 10/1898 Leech
D29,719 S 11/1898 Leech et al.
619,204 A 2/1899 Moore
622,357 A 4/1899 Hitchcock et al.

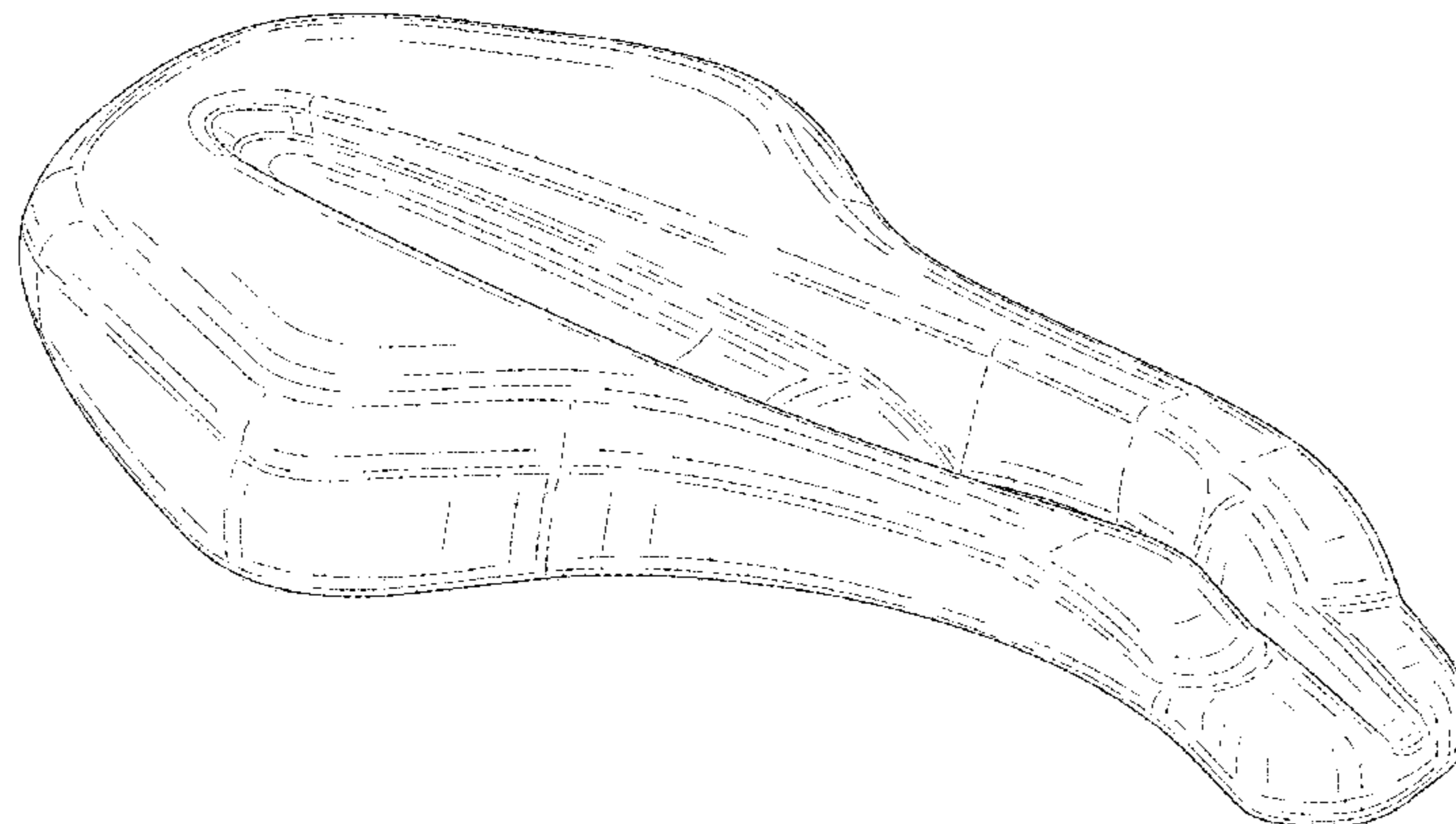
(57) **CLAIM**

The ornamental design for a bicycle seat, as shown and
described.

DESCRIPTION

FIG. 1 is a perspective view of a bicycle seat showing my
new design;
FIG. 2 is another perspective view thereof;
FIG. 3 is a left side elevation view thereof;
FIG. 4 is a right side elevation view thereof;
FIG. 5 is a rear view thereof;
FIG. 6 is a front view thereof;
FIG. 7 is a top plan view thereof; and,
FIG. 8 is a bottom plan view thereof.

1 Claim, 7 Drawing Sheets



(56)

References Cited

U.S. PATENT DOCUMENTS

1,538,542 A 2/1924 Blake
 1,858,477 A 5/1932 Blake
 D213,488 S 3/1969 Golden
 3,844,611 A 10/1974 Young
 D237,123 S 10/1975 Hogkvist
 4,429,915 A 2/1984 Flager
 4,451,083 A 5/1984 Marchello
 4,898,422 A 2/1990 West
 D306,378 S * 3/1990 Bernardi D6/354
 D315,646 S 3/1991 Hood
 4,999,068 A 3/1991 Chiarella
 5,011,222 A 4/1991 Yates et al.
 5,108,076 A 4/1992 Chiarella
 5,167,435 A 12/1992 Aldi
 5,676,420 A 10/1997 Kuipers et al.
 5,765,912 A 6/1998 Bontrager
 5,863,094 A 1/1999 Endo
 5,873,626 A 2/1999 Katz
 D407,910 S 4/1999 Terry
 D408,159 S 4/1999 Clutton
 D409,009 S 5/1999 Toll et al.
 D412,791 S * 8/1999 Tsai D6/354
 D416,394 S 11/1999 Minkow et al.
 D417,560 S 12/1999 Tollefson et al.
 6,019,423 A 2/2000 Dodge et al.
 6,039,395 A 3/2000 Culbertson
 D429,905 S 8/2000 White
 D430,745 S 9/2000 Minkow et al.
 6,113,184 A 9/2000 Barnes
 6,139,098 A 10/2000 Carrillo
 D433,827 S * 11/2000 Kuipers D6/354
 D434,235 S * 11/2000 Kuipers D6/354
 6,193,309 B1 2/2001 Gooter et al.
 D440,779 S 4/2001 Bernardi
 6,224,151 B1 5/2001 McMullen
 D443,426 S * 6/2001 Diaz D6/354
 6,244,655 B1 6/2001 Minkow et al.
 D446,032 S 8/2001 Arcieri
 6,290,291 B1 9/2001 Kojima
 D454,258 S 3/2002 Yates
 D456,157 S * 4/2002 Yates D6/354
 6,402,236 B1 6/2002 Yates
 6,422,647 B1 7/2002 Turudich
 6,450,572 B1 9/2002 Kuipers
 D463,676 S 10/2002 Minkow et al.
 6,652,025 B2 11/2003 Sylvester
 6,669,283 B2 12/2003 Yu
 6,761,400 B2 7/2004 Hobson
 6,783,176 B2 8/2004 Ladson, III
 6,880,885 B2 4/2005 Lan
 D507,421 S 7/2005 Lawson
 6,957,857 B1 10/2005 Lee
 7,025,417 B2 4/2006 Cohen
 7,077,469 B2 7/2006 Farré
 7,104,600 B2 9/2006 Scholz
 7,121,622 B1 10/2006 Mendez
 7,374,517 B2 5/2008 Lockett
 D575,070 S 8/2008 Toll
 7,441,836 B2 10/2008 Chen et al.
 7,478,871 B2 1/2009 Pandozy
 D590,160 S 4/2009 Hung
 7,537,281 B2 5/2009 Riondato
 D604,056 S 11/2009 Toll et al.
 D604,057 S 11/2009 Toll
 7,699,391 B2 4/2010 Riondato
 D622,973 S 9/2010 Toll
 7,934,770 B2 5/2011 Toll
 D639,081 S 6/2011 Toll
 7,976,102 B2 7/2011 Chang
 D642,846 S 8/2011 Parish et al.
 D658,396 S 5/2012 Sprouse, II
 D677,479 S 3/2013 Toll
 D684,780 S 6/2013 Toll
 D684,781 S 6/2013 Toll
 8,480,169 B2 7/2013 Bailie et al.

D688,051 S 8/2013 Toll
 D688,052 S 8/2013 Toll
 D688,477 S 8/2013 Toll
 D688,478 S 8/2013 Toll
 D688,479 S 8/2013 Toll
 8,845,018 B2 9/2014 Toll
 D720,939 S 1/2015 Toll
 D722,446 S 2/2015 Toll
 D724,329 S 3/2015 Toll
 D724,330 S 3/2015 Toll
 D728,952 S * 5/2015 Yu D6/354
 D753,925 S 4/2016 Toll
 D753,926 S * 4/2016 Smith D6/354
 D754,450 S 4/2016 Toll
 D756,675 S 5/2016 Toll
 D762,073 S 7/2016 Toll
 D764,820 S 8/2016 Toll
 D764,821 S 8/2016 Toll
 D764,822 S 8/2016 Toll
 D767,909 S 10/2016 Toll
 D767,910 S 10/2016 Toll
 D767,911 S 10/2016 Toll
 D769,007 S 10/2016 Toll
 D769,008 S 10/2016 Toll
 D769,631 S * 10/2016 Toll D6/354
 D774,790 S 12/2016 Toll
 D774,791 S 12/2016 Toll
 D778,079 S * 2/2017 Porter D6/354
 D784,033 S * 4/2017 Li D6/354
 D786,573 S 5/2017 Toll
 D804,204 S * 12/2017 Bigolin D6/354
 2002/0117880 A1 8/2002 Ladson
 2003/0025363 A1 2/2003 Gaggiola
 2003/0034678 A1 2/2003 Farré
 2003/0038515 A1 2/2003 Martin et al.
 2003/0067195 A1 4/2003 Sylvester
 2003/0071498 A1 * 4/2003 Yu B62J 1/00
 297/215.16
 2005/0006932 A1 1/2005 Laidlaw
 2007/0069557 A1 3/2007 Toll
 2007/0102970 A1 5/2007 Wallace
 2007/0200399 A1 8/2007 Riondato
 2007/0246978 A1 10/2007 Yu
 2007/0273184 A1 11/2007 Garneau
 2008/0265636 A1 10/2008 Toll
 2009/0079237 A1 3/2009 Riondato
 2010/0109392 A1 5/2010 Toll
 2011/0298253 A1 12/2011 Toll
 2012/0086246 A1 4/2012 Belliveau
 2015/0097401 A1 4/2015 Toll
 2015/0239515 A1 * 8/2015 Toll B62J 1/18
 297/214

FOREIGN PATENT DOCUMENTS

FR 796997 4/1936
 JP 2007-186075 7/2007
 JP 2008-509047 3/2008
 JP 2011-143734 7/2011
 JP 2012-162255 8/2012
 WO 99/14103 3/1999
 WO 2006015731 2/2006
 WO 2007/038692 4/2007
 WO 2014/035972 2/2011
 WO 2013/134253 9/2013

OTHER PUBLICATIONS

Randrup et al., "Bicycle Riding as a Cause for Erectile Dysfunction", www. medicalsexuality.org, pp. 26-27, (Nov. 2000).
 Jeong et al., "Bicycle Saddle Shape affects penile blood flow", International Journal of Impotence Research, 14, 513-517 (2002).
 Spears et al., "The Effect of Saddle Design on Stresses in the Perineum during Cycling", Medical Science Sports Exercise, vol. 35, No. 9, pp. 1620-1625 (2003).
 Bressel et al., "Bicycle Seat Designs and Their Effect on Pelvic Angle, Trunk Angle, and Comfort", Medical Science Sports Exercise, vol. 35, No. 2, pp. 327-332 (2003).

(56)

References Cited

OTHER PUBLICATIONS

Breda et al., and Adara Caruso, M.D., "Development of New Geometric Bicycle Saddle for the Maintenance of Genital—Perineal Vascular Perfusion," *Journal of Sexual Medicine*, vol. 2, Issue 5, pp. 605-611 (Sep. 2005).

Lowe et al., "Effect of Bicycle Saddle Designs on the Pressure to the Perineum of the Bicyclist", *Medical Science Sports Exercise*, vol. 36, No. 6, pp. 1055-1062 (2004).

Bressel et al., "Bicycle Seat Interface Pressure: Reliability, Validity, and Influence of Hand Position and Workload", *Journal of Biomechanics*, vol. 38, Issue 6, pp. 1325-1331 (Jun. 2005).

Bressel et al., "Influence of Bicycle Seat Pressure on compression of the perineum: a MRI Analysis," *Journal of Biomechanics* 40, pp. 198-202 (2007, Accepted Nov. 26, 2005).

U.S. Appl. No. 29/539,809, filed Jul. 21, 2016 with the following characterization: "Noseless Saddles—My Two Cents Worth." *The Bike Noob.*, Jun. 30, 2011 [online], [retrieved on Jul. 8, 2016]. Retrieved from the Internet <URL: <http://bikenob.com/2011/06/30/noseless-saddles-my-two-cents-worth/>>.

U.S. Appl. No. 29/539,809, filed Jul. 21, 2016 with the following characterization: "Saddles Part 3—ISM Adamo." *Bike Test Reviews.* Apr. 5, 2013 [online], [retrieved on Jul. 8, 2016]. Retrieved from the Internet <URL: <http://biketestreviews.com/saddles-part-3-ism-adamo/>>.

U.S. Appl. No. 29/484,042, filed Jul. 29, 2014 with the following characterization: "Podium Imports ISM Saddles." *Podium Imports.*, Feb. 20, 2013 [online], [retrieved on Jul. 19, 2014]. Retrieved from the Internet <URL: <http://www.podiumimports.ca/shop-online/brand/ism-saddles/>>.

U.S. Appl. No. 29/484,042, filed Jul. 29, 2014 with the following characterization: Alter, Lloyd. "No—Nose Bicycle Seats: Are They the Answer to Erectile Dysfunction and Prostate . . ." *Tree Hugger.*, Sep. 17, 2010 [online], [retrieved on Jul. 19, 2014]. Retrieved from the Internet <URL: <http://www.treehugger.com/bikes/no-nose-bicycle-seats-are-they-the-answer-to-erectile-dysfunction-and-prostate-problems-among-cyclists.html>>.

U.S. Appl. No. 29/484,039, filed Jul. 29, 2014 with the following characterization: Demerly, Tom. "ISM Adamo Time Trial and Racing 2 Saddles: The Triathlon Saddle Evolved . . ." *Just Tri Talk.*, Feb. 27, 2013 [online], [retrieved on Jul. 19, 2014]. Retrieved from the Internet <URL: <http://justtritalk.com/ism-adamo-time-trial-and-racing-2-saddles-the-triathlon-saddle-evolved/>>.

U.S. Appl. No. 29/539,813, filed Jul. 25, 2016 with the following characterization: "Noseless Bicycle Saddles—What You Need to Know." *Electro Heart Beats.*, Mar. 15, 2014 [online], [retrieved on Jul. 8, 2016]. Retrieved from the Internet <URL: <http://www.electroheartbeats.com/2014/03/noseless-bicycle-saddles-what-youneed.html>>.

Patent Cooperation Treaty, "International Search Report and Written Opinion", issued in International Application No. PCT/US2017/048420, by European Searching Authority, Helmut, document of 15 pages, Nov. 8, 2017.

* cited by examiner

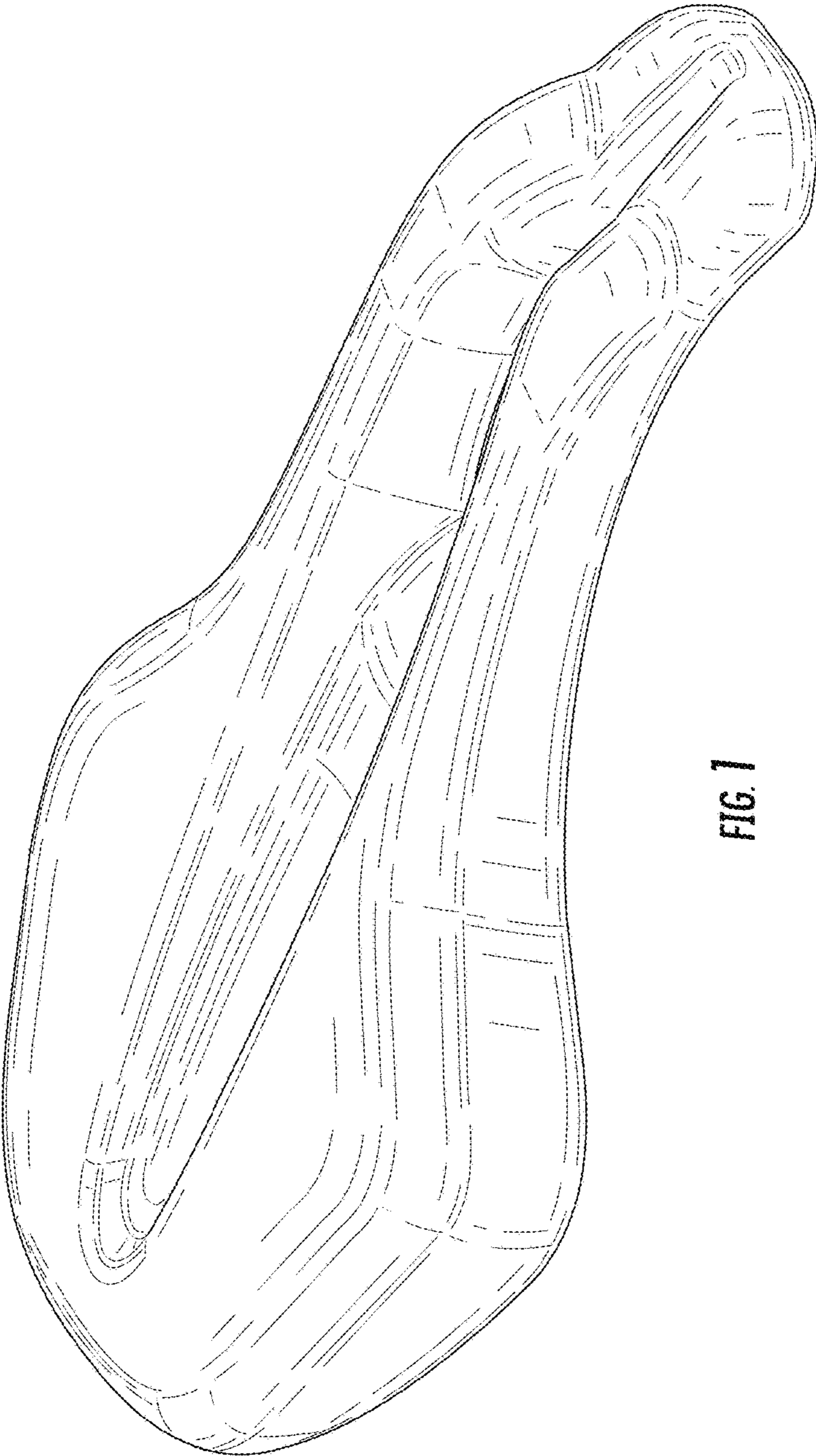


FIG. 1

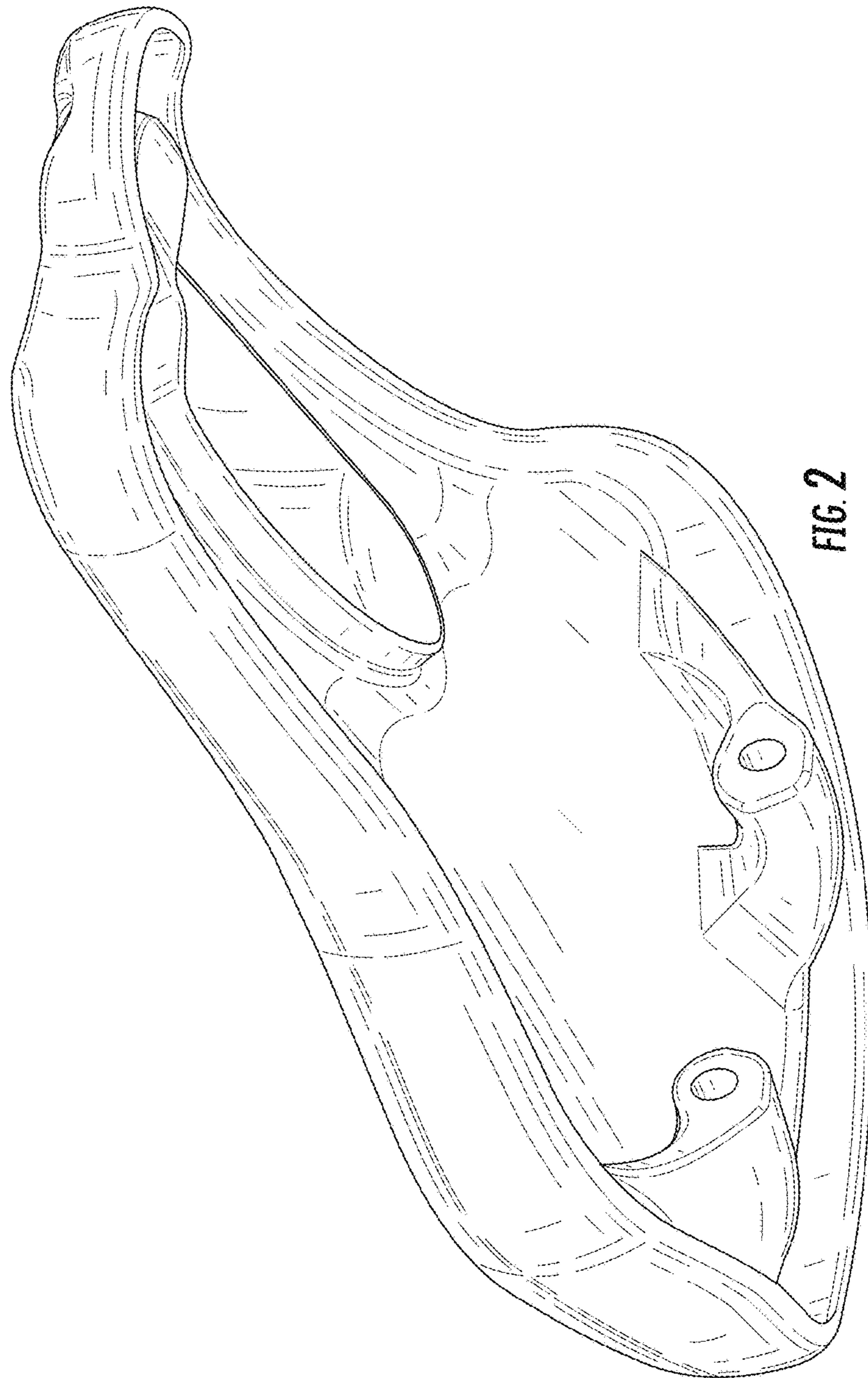


FIG. 2

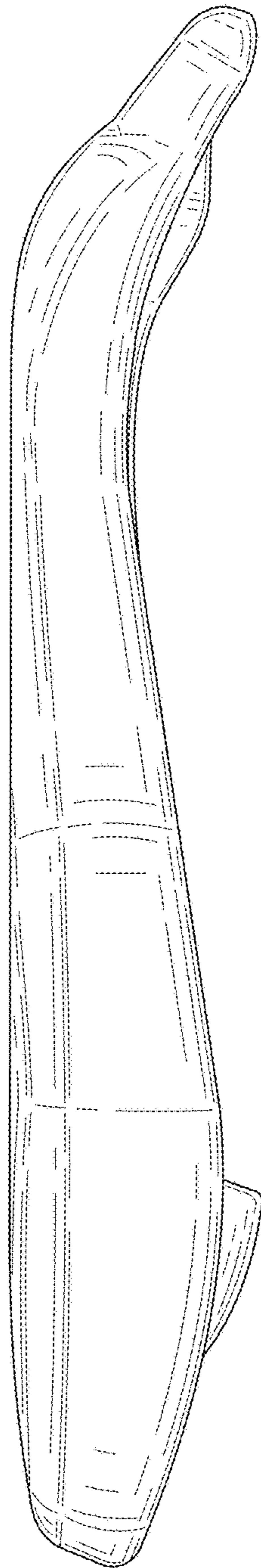


FIG. 3

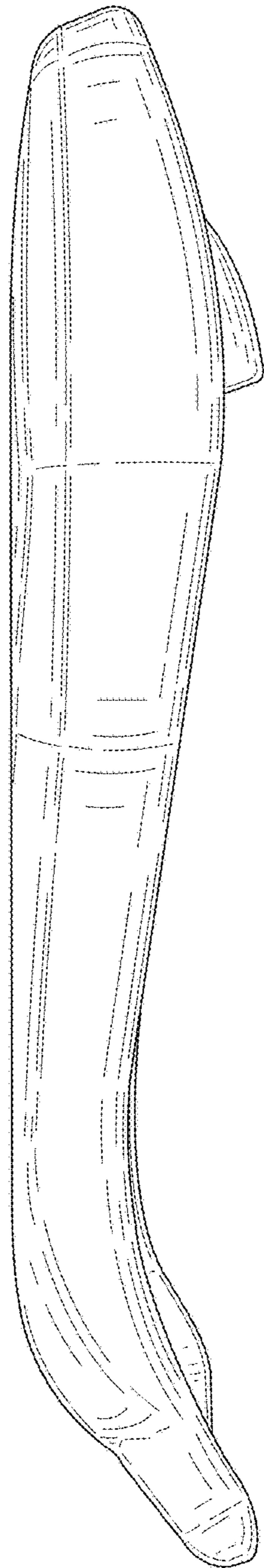


FIG. 4

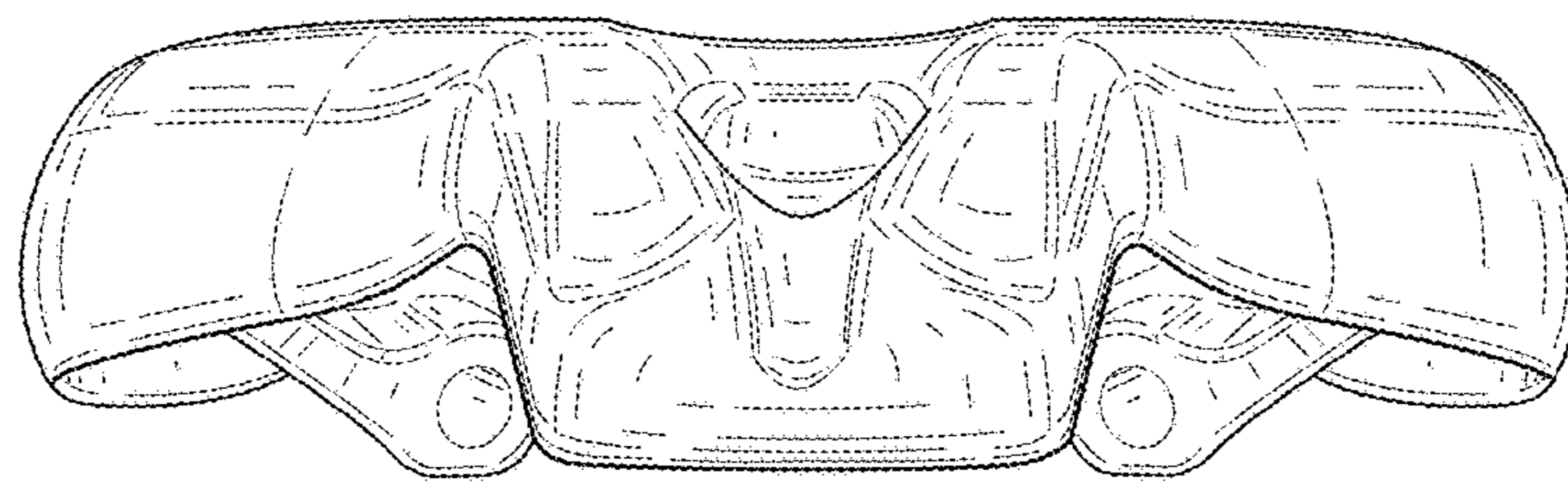


FIG. 5

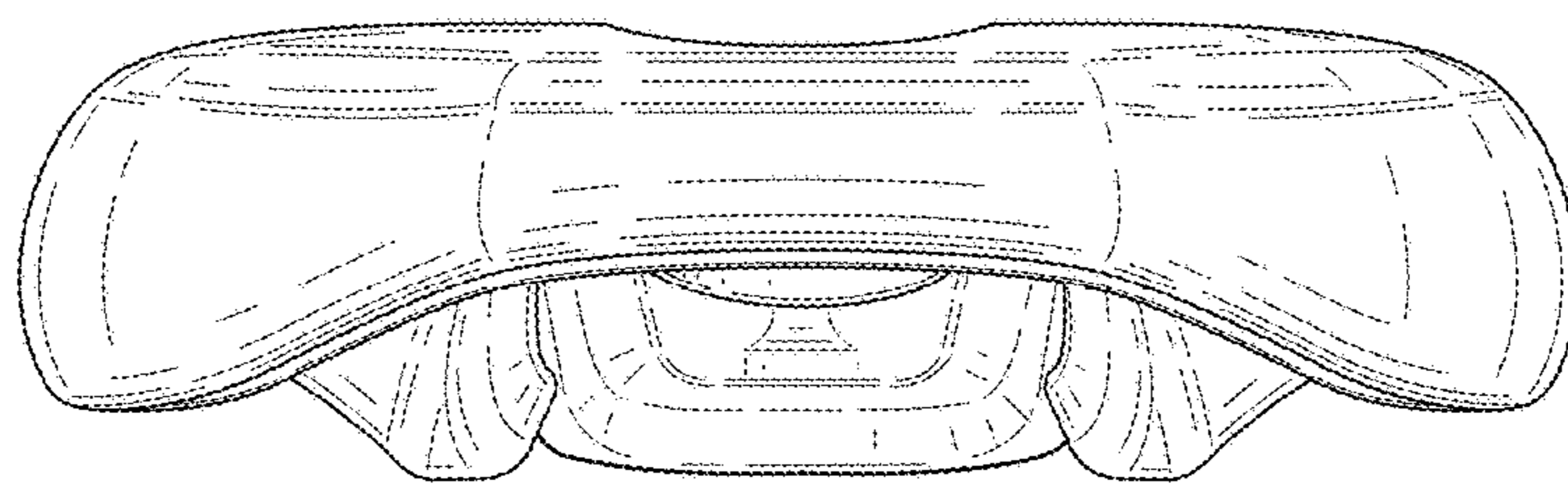


FIG. 6

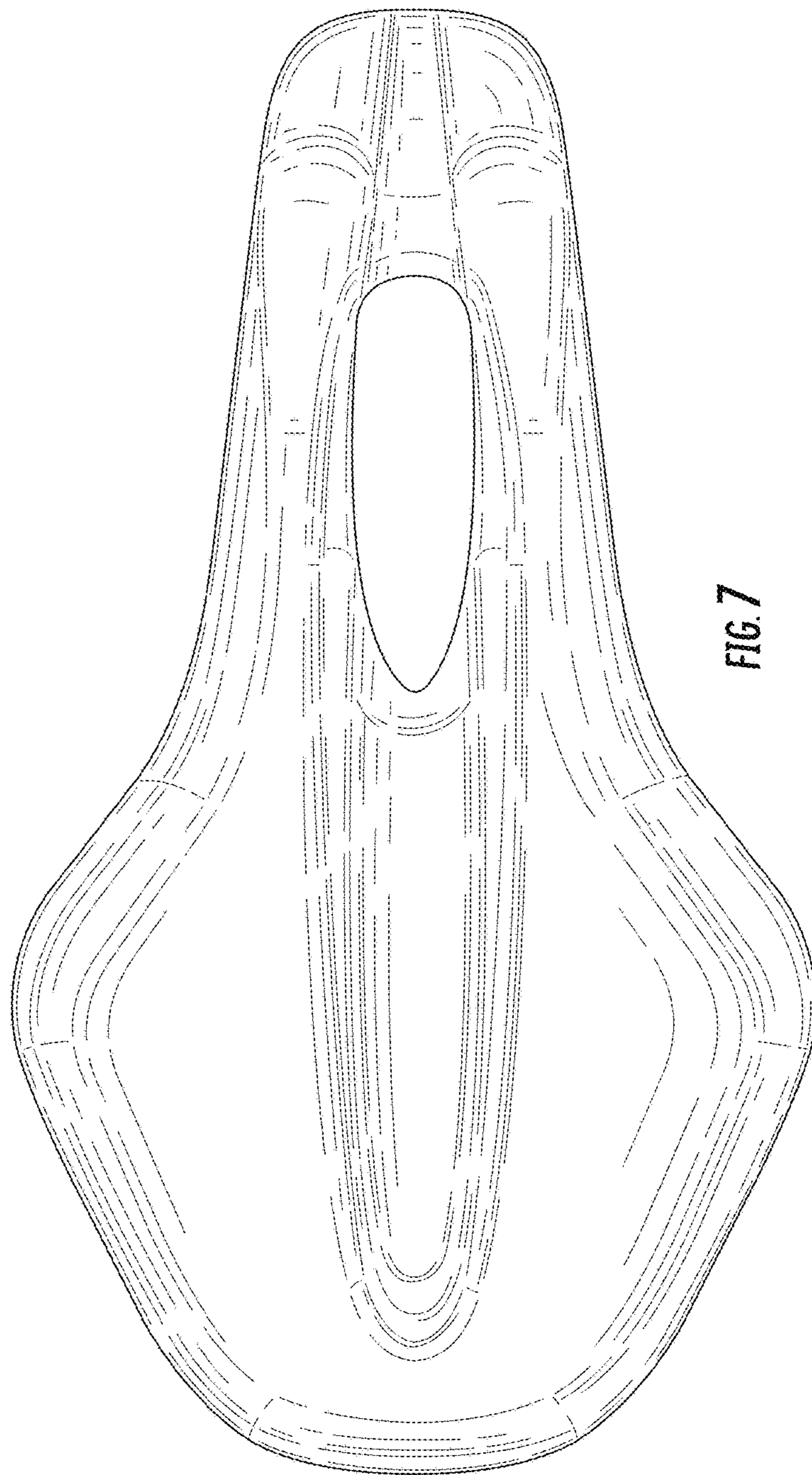


FIG. 7

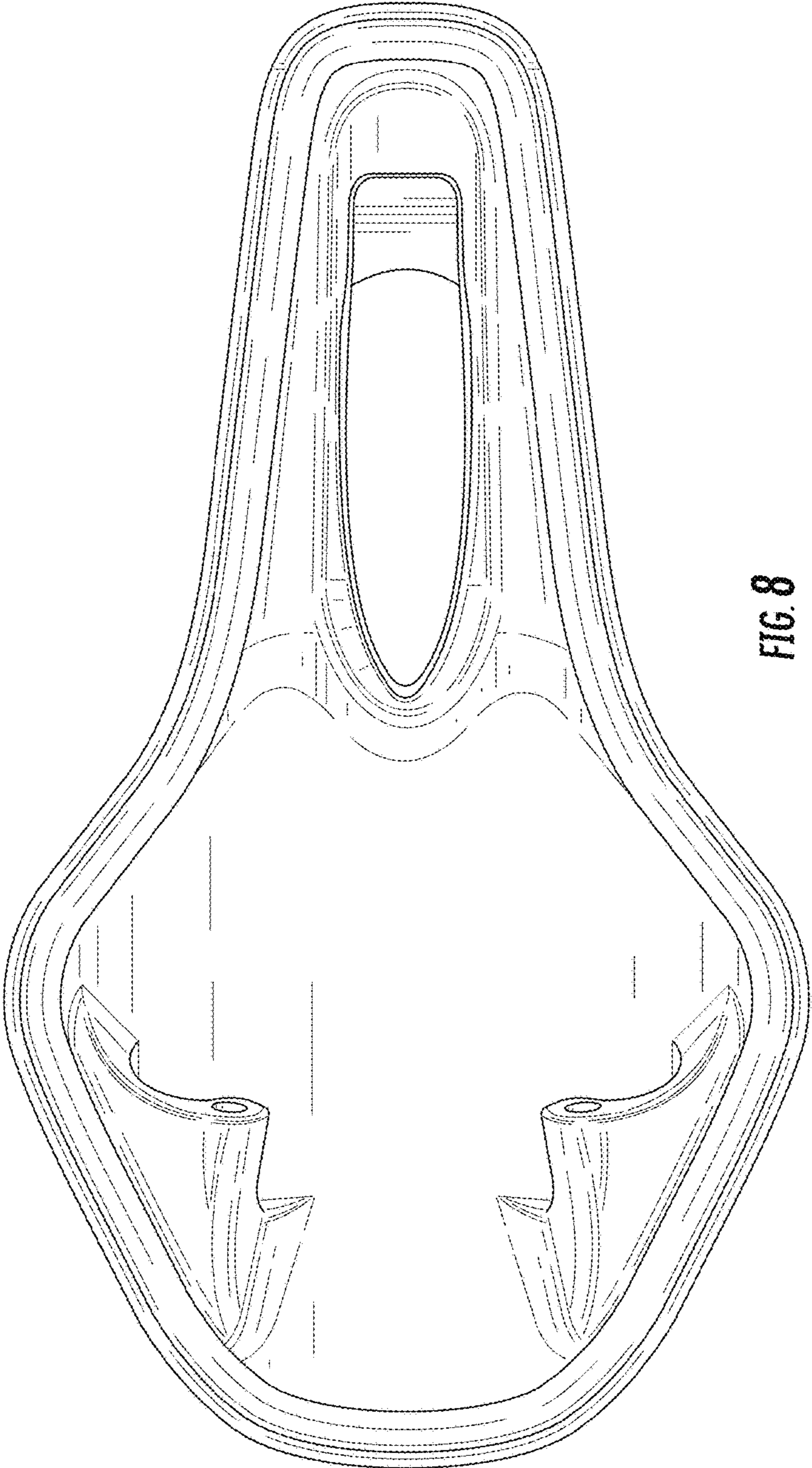


FIG. 8