



US00D846895S

(12) **United States Design Patent** (10) **Patent No.:** **US D846,895 S**
Butler (45) **Date of Patent:** **** Apr. 30, 2019**

(54) **SEAT**
(71) Applicant: **ROTEC ENGINEERING GROUP LIMITED**, Evesham (GB)
(72) Inventor: **Paul Butler**, Droitwich (GB)
(73) Assignee: **ROTEC ENGINEERING GROUP LIMITED**, Evesham (GB)
(**) Term: **15 Years**
(21) Appl. No.: **29/590,527**
(22) Filed: **Jan. 11, 2017**
(51) **LOC (11) Cl.** **06-01**
(52) **U.S. Cl.**
USPC **D6/354**
(58) **Field of Classification Search**
USPC D6/340, 354; D12/110, 111
CPC ... B62J 1/002; B62J 1/005; B62J 1/007; B62J
1/26
See application file for complete search history.

(56) **References Cited**
U.S. PATENT DOCUMENTS
D412,791 S * 8/1999 Tsai D6/354
D421,530 S * 3/2000 Hobson D6/354
D443,426 S * 6/2001 Diaz D6/354

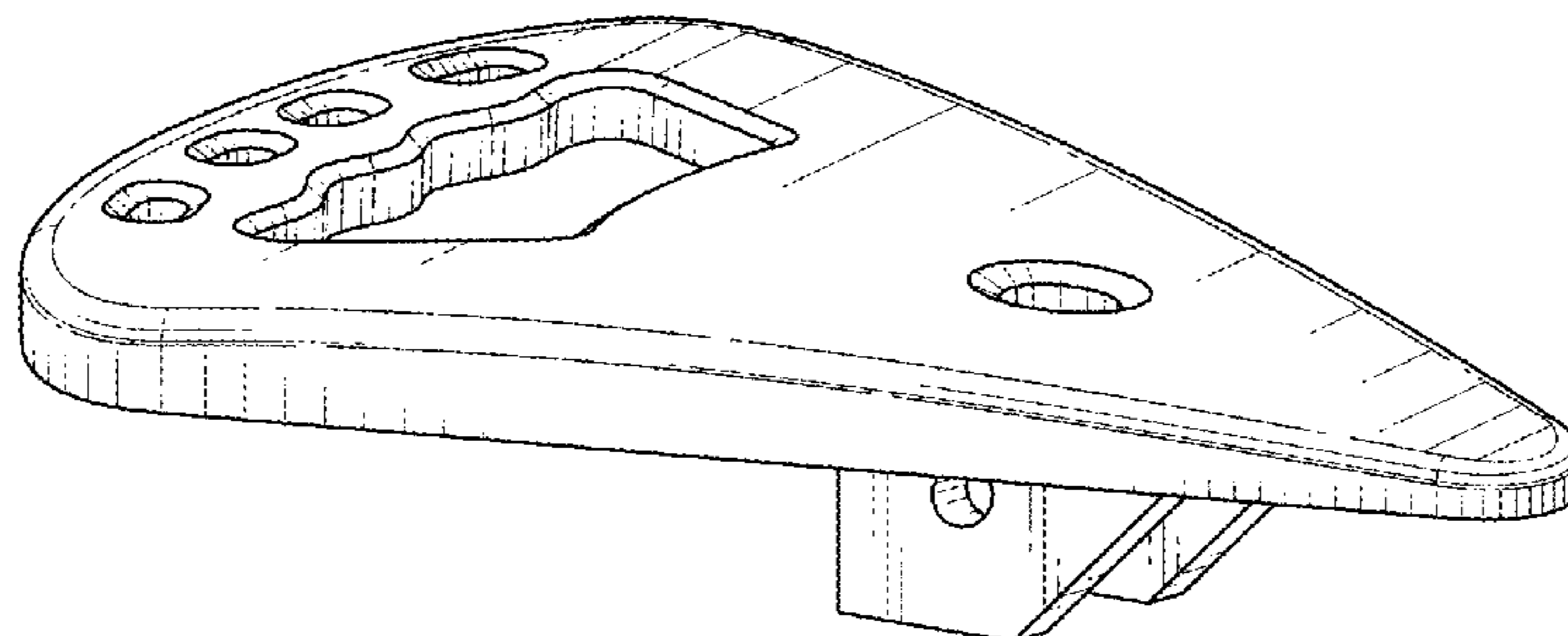
D639,573 S * 6/2011 Bertoncello D6/354
D640,879 S * 7/2011 Curran D6/354
D718,543 S * 12/2014 Smith D6/354
D741,074 S * 10/2015 Huan D6/354
D752,888 S * 4/2016 Huan D6/354
D753,926 S * 4/2016 Smith D6/354
D760,507 S * 7/2016 Marcel D6/354
2003/0071498 A1 * 4/2003 Yu B62J 1/00
297/215.16

* cited by examiner
Primary Examiner — Natasha Vujcic
(74) *Attorney, Agent, or Firm* — Kirton McConkie; Evan R. Witt

(57) **CLAIM**
I claim, the ornamental design for a seat, as shown and described.

DESCRIPTION
FIG. 1 is a perspective view of a seat showing my new design;
FIG. 2 is a front elevational view thereof;
FIG. 3 is a rear elevational view thereof;
FIG. 4 is a left side elevational view thereof, the right side elevation view being a mirror image thereof;
FIG. 5 is a top plan view thereof;
FIG. 6 is a bottom plan view thereof; and,
FIG. 7 is another perspective view thereof.

1 Claim, 4 Drawing Sheets



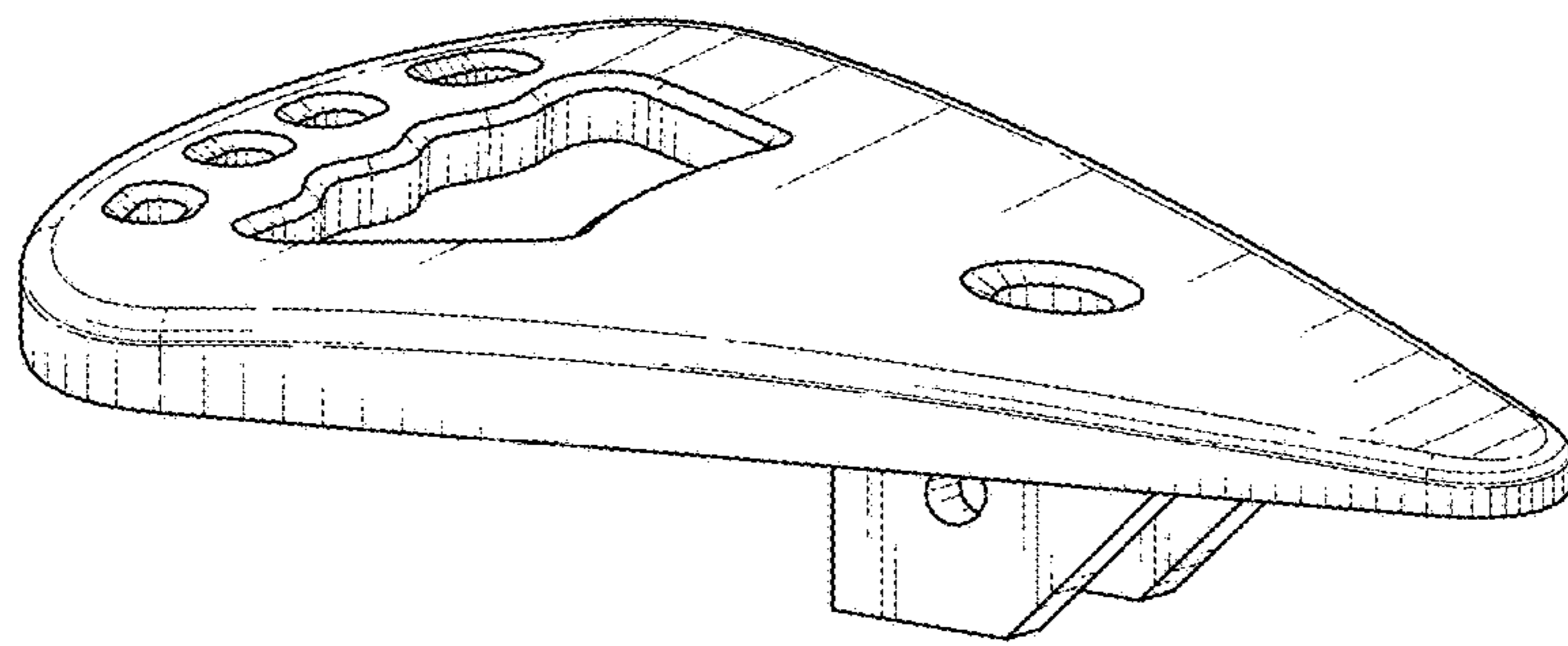


FIG. 1

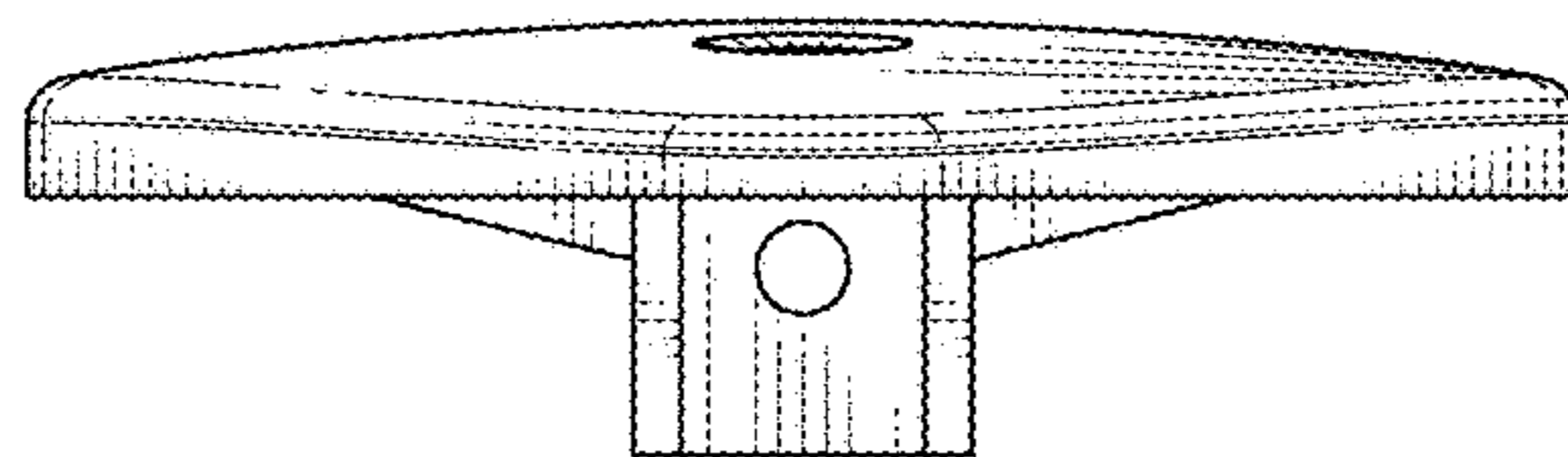


FIG. 2

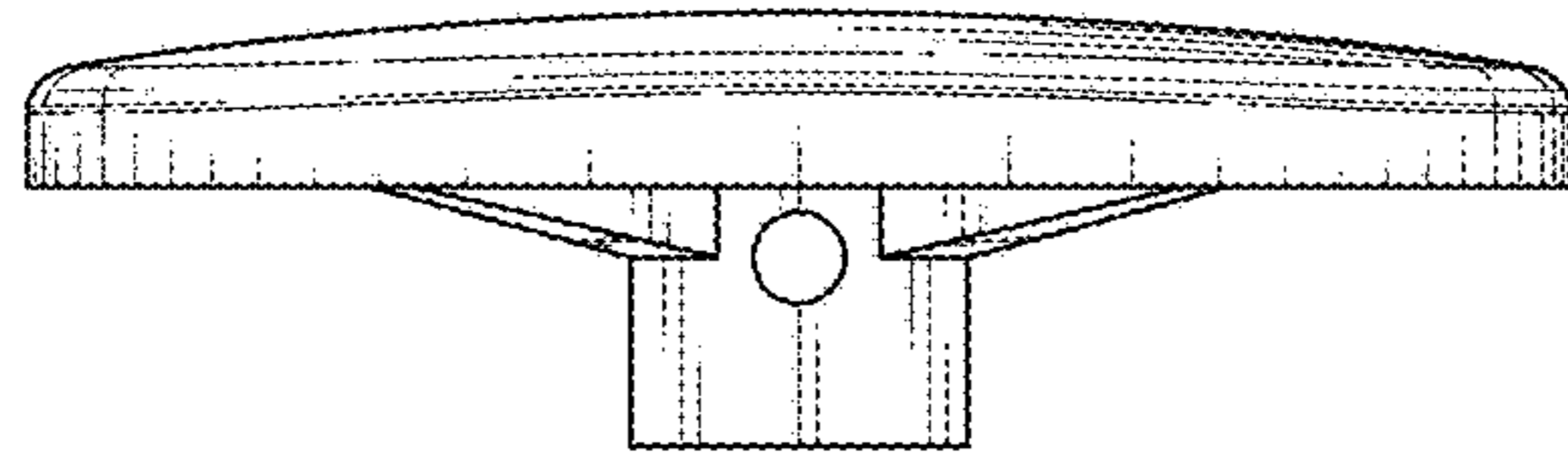


FIG. 3

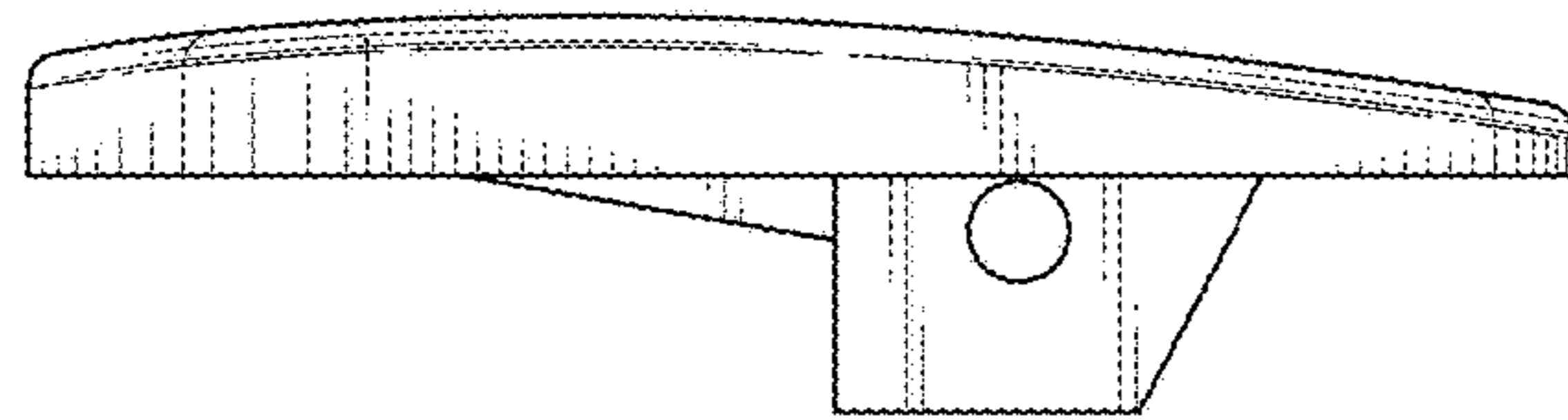


FIG. 4

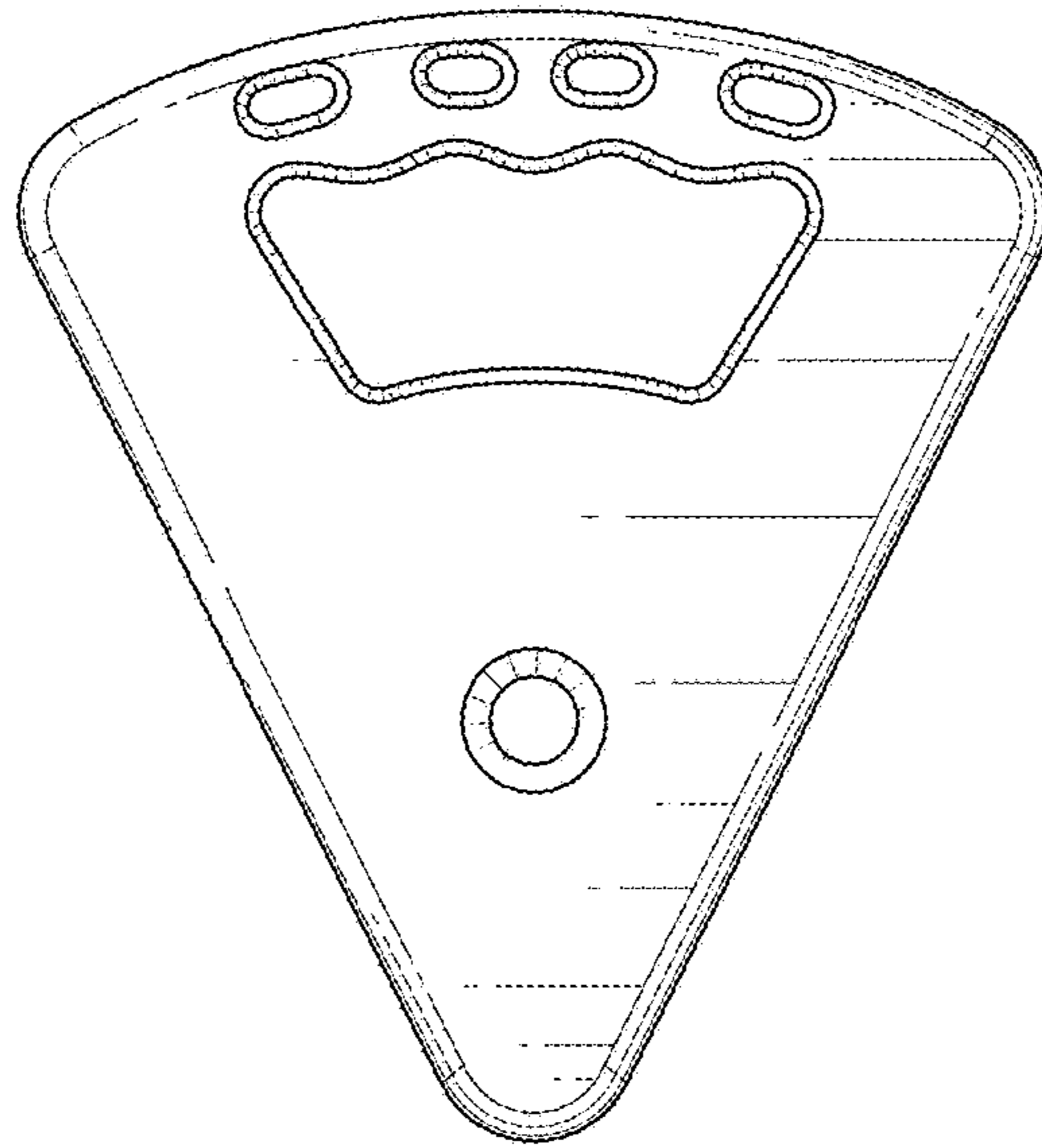


FIG. 5

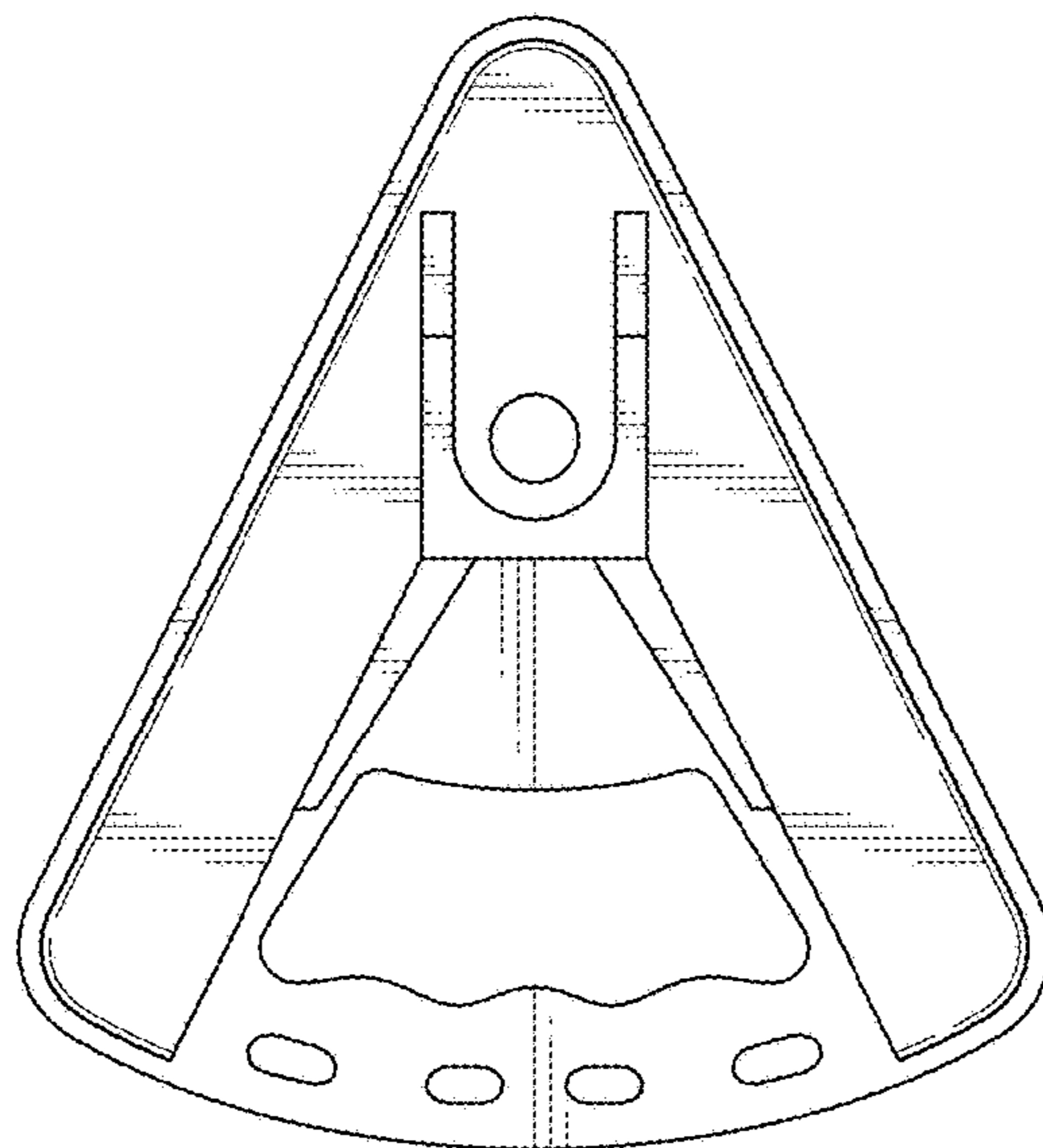


FIG. 6

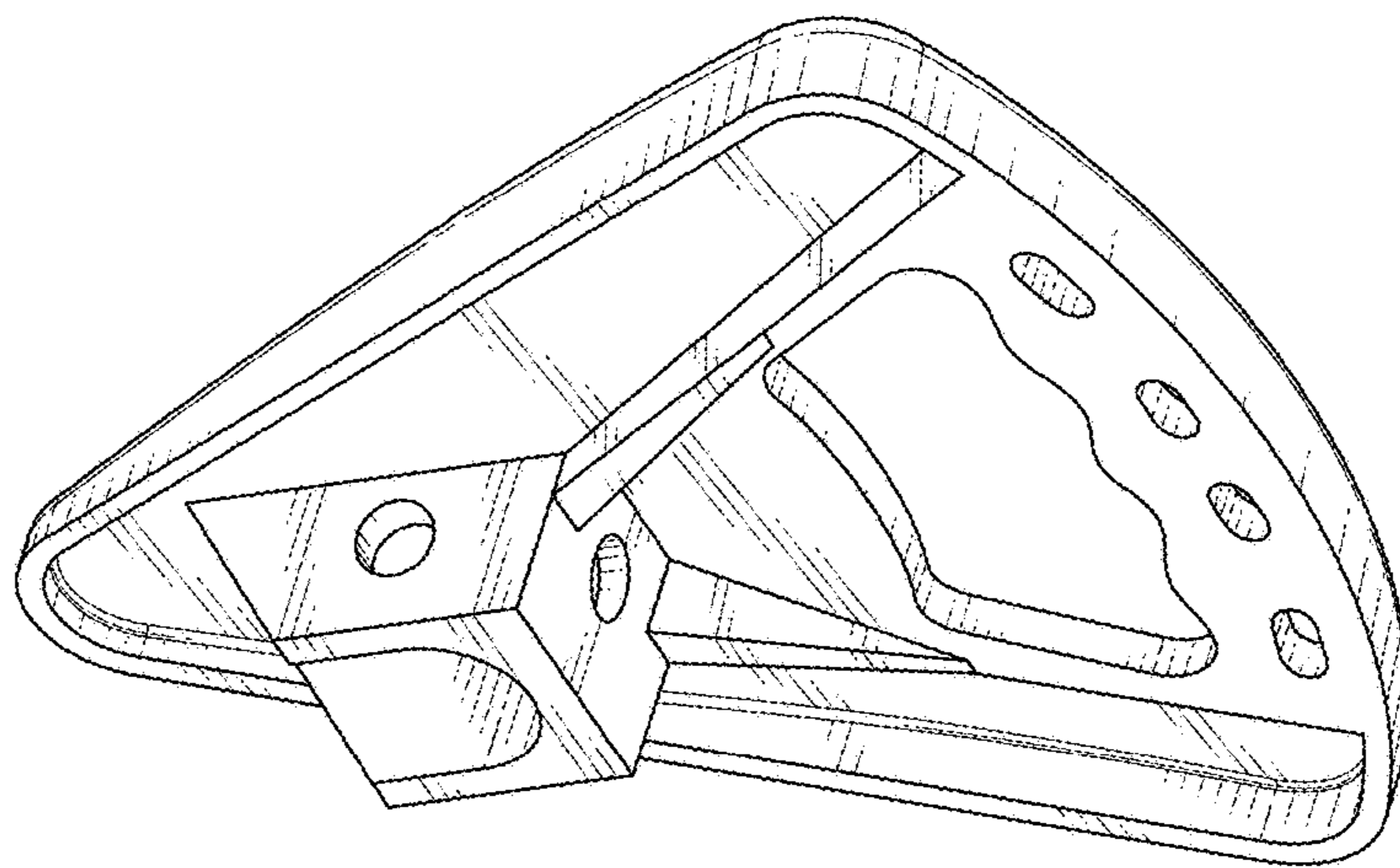


FIG. 7