



US00D846892S

(12) **United States Design Patent**
Pelosi

(10) **Patent No.:** **US D846,892 S**

(45) **Date of Patent:** **** Apr. 30, 2019**

(54) **SIX TIER SKIRT HANGER**

(71) Applicant: **Raymond Pelosi**, Las Vegas, NV (US)

(72) Inventor: **Raymond Pelosi**, Las Vegas, NV (US)

(**) Term: **15 Years**

(21) Appl. No.: **29/612,848**

(22) Filed: **Aug. 4, 2017**

(51) **LOC (11) Cl.** **06-08**

(52) **U.S. Cl.**

USPC **D6/317**; D6/315; D6/326

(58) **Field of Classification Search**

USPC D6/315-328, 512-514

CPC A47G 25/28; A47G 25/38; A47G 25/14;

A47G 25/442; A47G 25/483; A47G

25/485; A47G 25/4023; Y10S 223/04;

A47F 5/0006

See application file for complete search history.

(56) **References Cited**

U.S. PATENT DOCUMENTS

1,421,709 A * 7/1922 Nelson A47G 25/18
211/119

1,977,512 A * 10/1934 Hills A47G 25/005
211/35

2,058,217 A * 10/1936 Dixon A47G 25/74
211/106

2,549,588 A * 4/1951 Fillenbaum A47G 25/18
223/88

2,601,926 A * 7/1952 Speaker A47G 25/18
211/113

D207,076 S * 2/1967 Bertram D6/315

3,352,430 A * 11/1967 McAtee A47G 25/24
211/119

D320,699 S * 10/1991 Beloe D6/317

D323,941 S * 2/1992 Schwartz D6/317
D433,821 S * 11/2000 Brutus D6/317
8,944,298 B2 * 2/2015 Hickey A47G 25/18
211/85.3

OTHER PUBLICATIONS

J. S. Hanger, "J.S. Hanger Durable 4 Tier Foldup Skirt Hanger, Ultra-Thin Folding Slack Hanger, Skirt Hanger, Set of 2", online, <<http://www.jshanger.com/product/Durable4tierfoldupskirthanger.html>>. (Year: 2012).*

Walmart, "Mainstays 6-Tier Skirt / Pant Organizer", online, <<https://www.walmart.com/ip/Mainstays-6-Tier-Skirt-Pant-Organizer/16206977>>. (Year: 2014).*

* cited by examiner

Primary Examiner — Lauren R Calve

(74) *Attorney, Agent, or Firm* — The Thornton Firm, LLC

(57) **CLAIM**

The ornamental design for a six tier skirt hanger, substantially as shown and described.

DESCRIPTION

FIG. 1 is a perspective view of a six tier skirt hanger in accordance with the present design;

FIG. 2 is a front elevational view thereof;

FIG. 3 is a rear elevational view thereof;

FIG. 4 is a left side elevational view thereof;

FIG. 5 is a right side elevational view thereof;

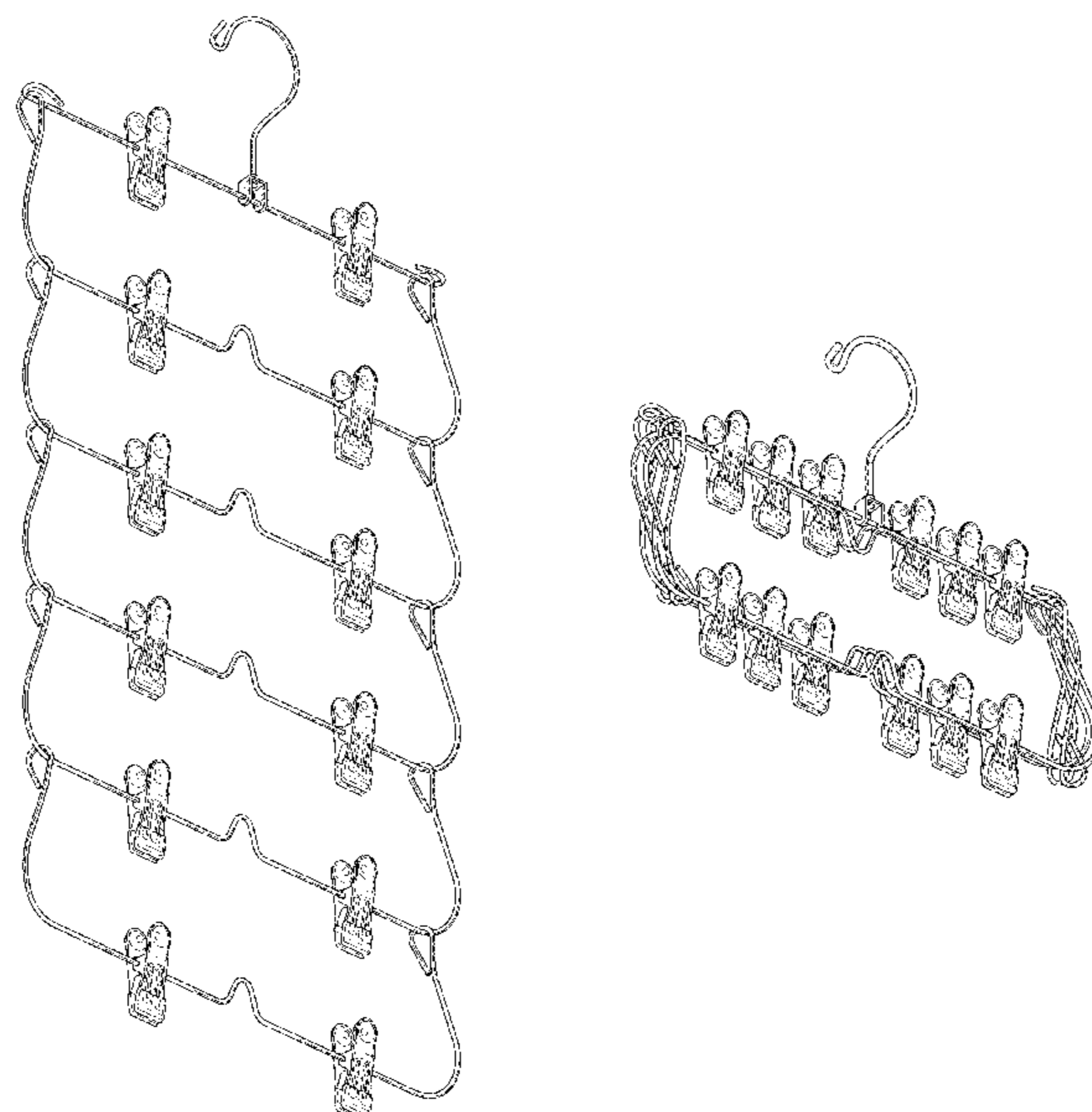
FIG. 6 is a top plan view thereof;

FIG. 7 is a bottom plan view thereof;

FIG. 8 is an alternate perspective view, showing the six-tiered skirt hanger in a different configuration than that shown in FIG. 1; and,

FIG. 9 is an alternate perspective view, showing the six-tiered skirt hanger in a different configuration than that shown in FIG. 1.

1 Claim, 7 Drawing Sheets



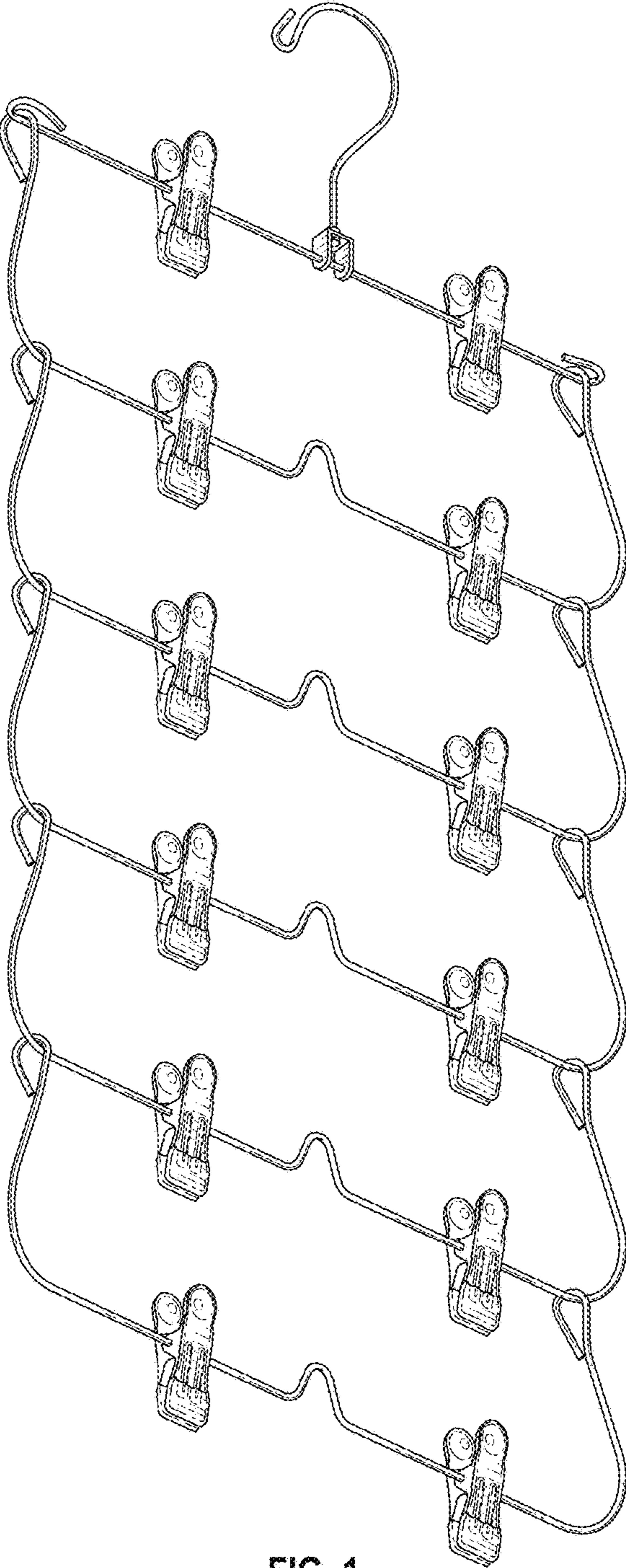


FIG. 1

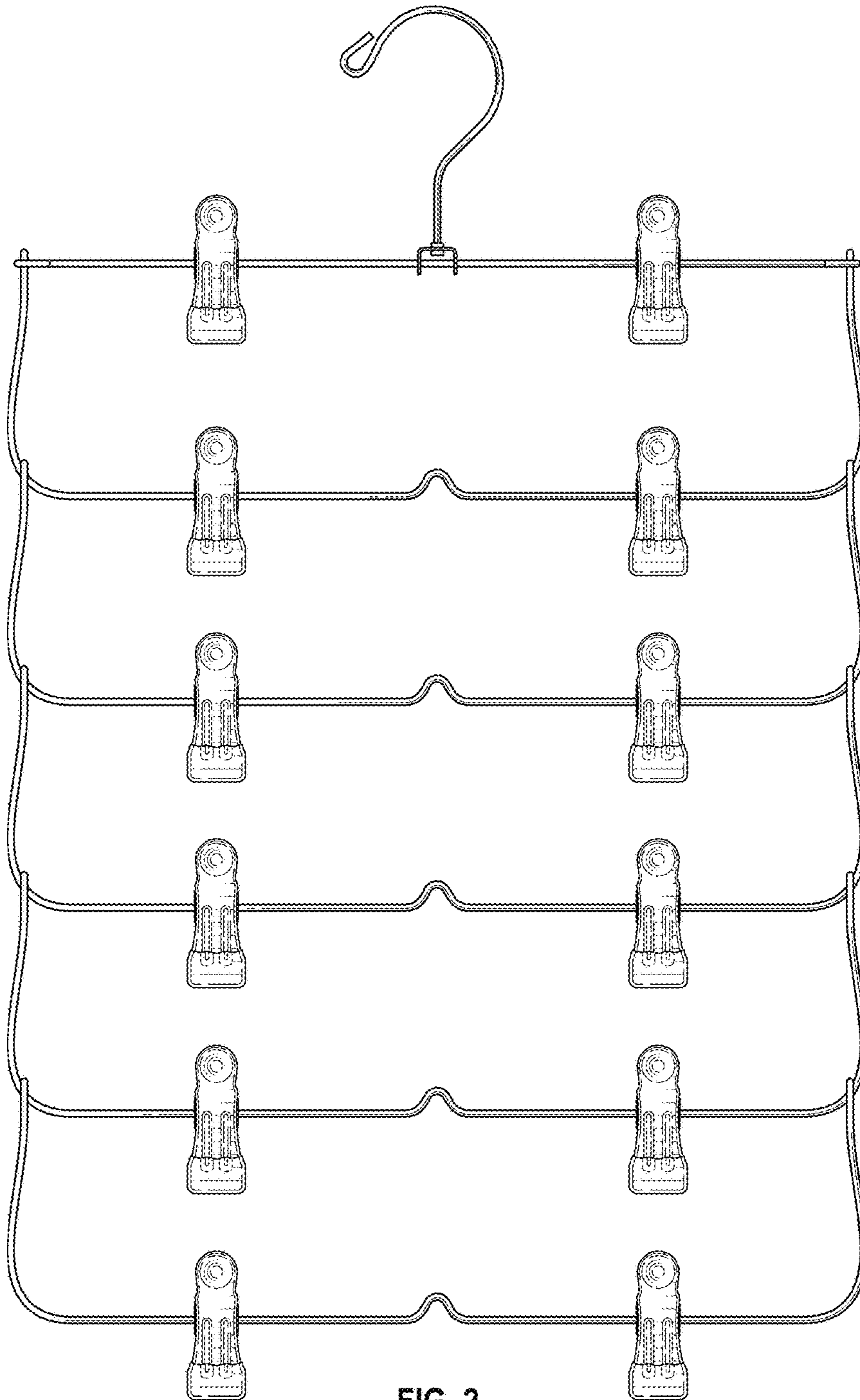


FIG. 2

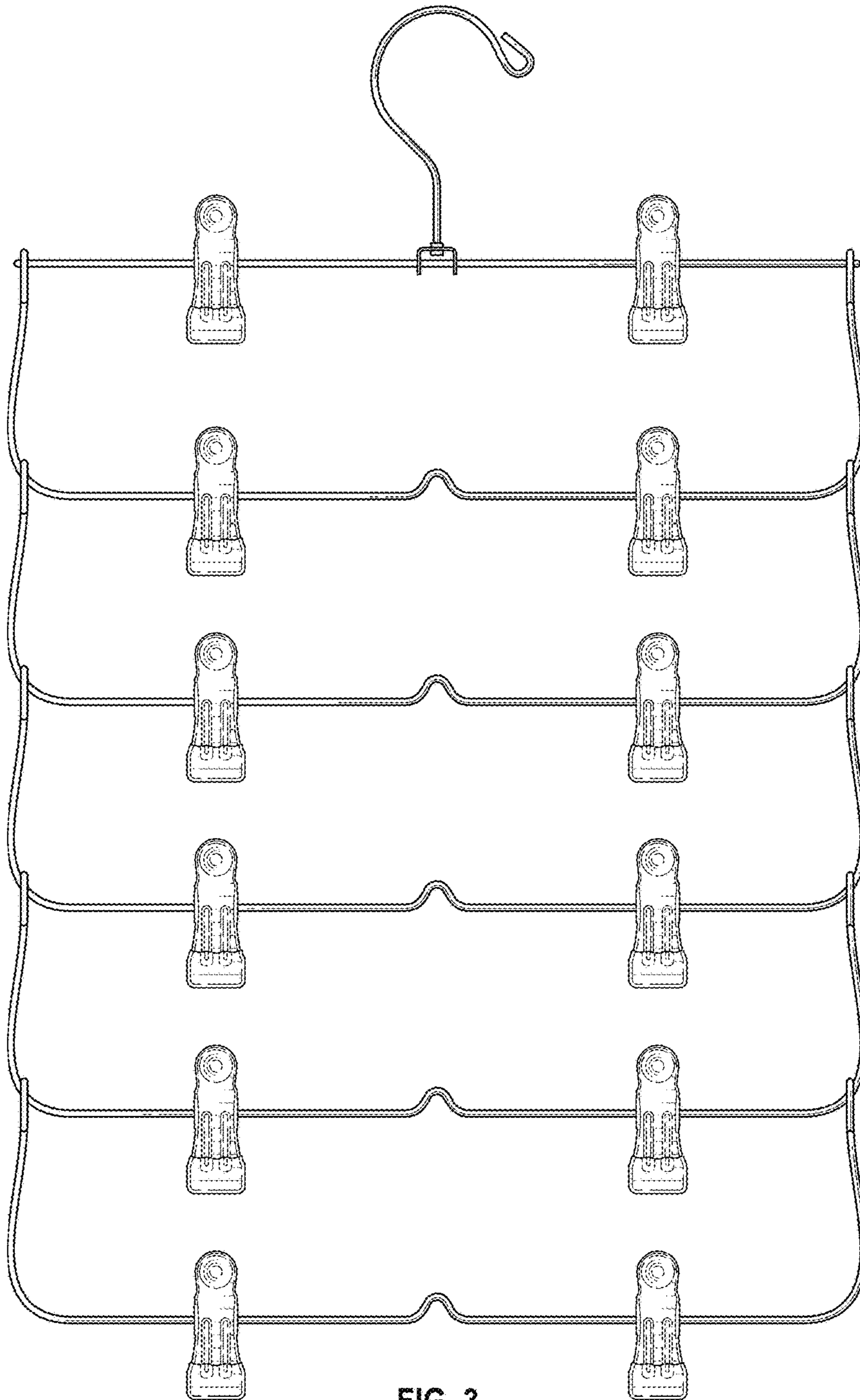


FIG. 3

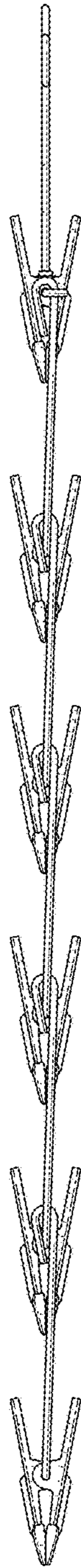


FIG. 4

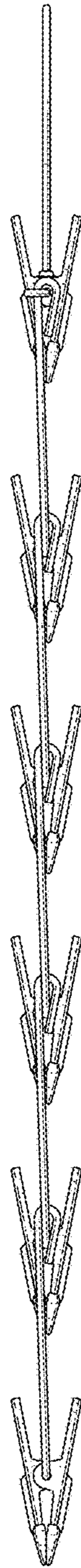


FIG. 5

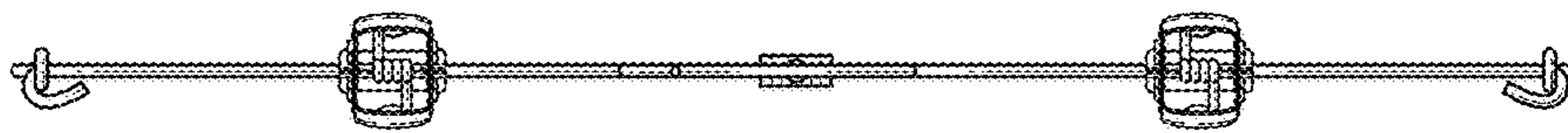


FIG. 6



FIG. 7

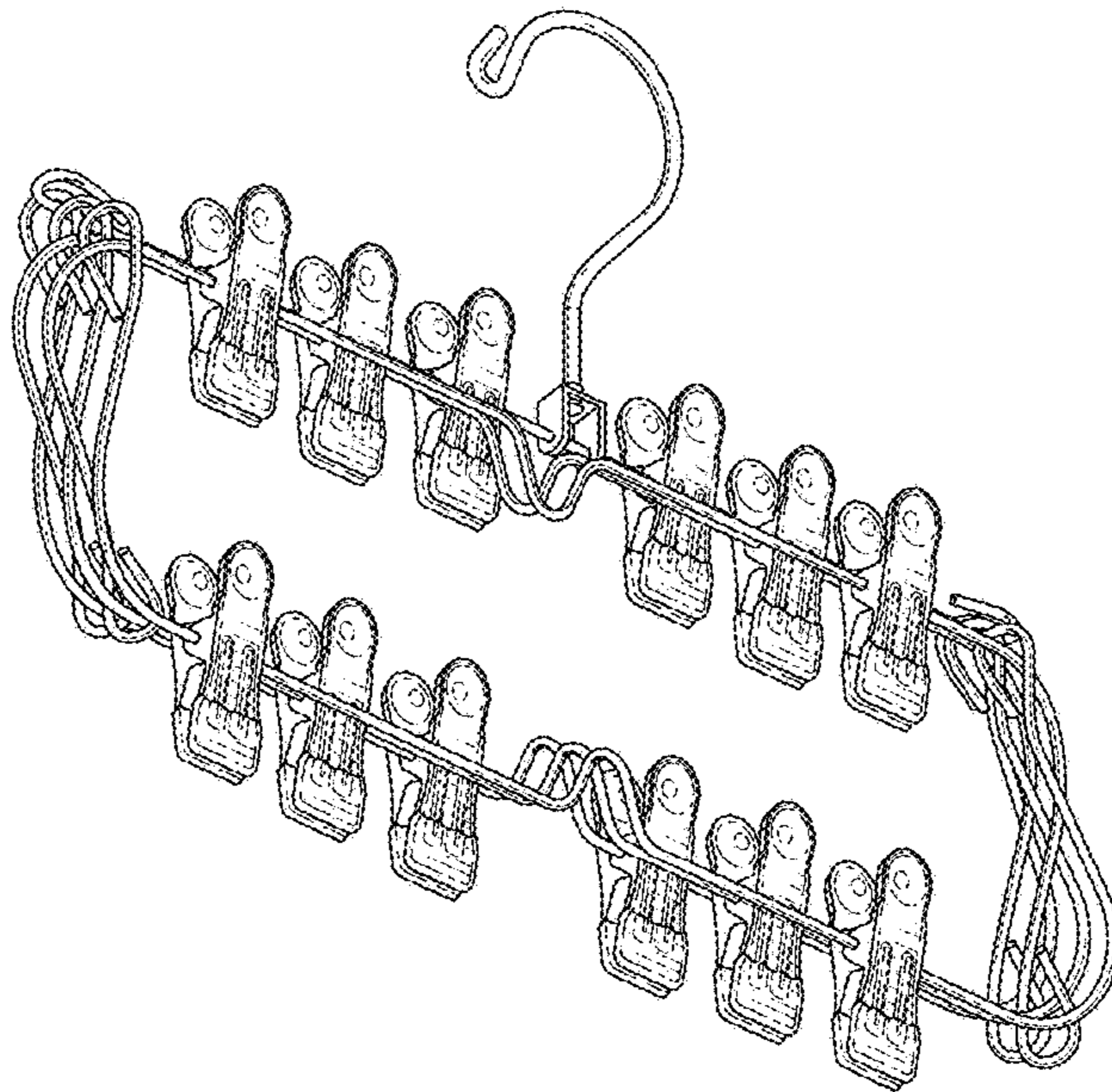


FIG. 8

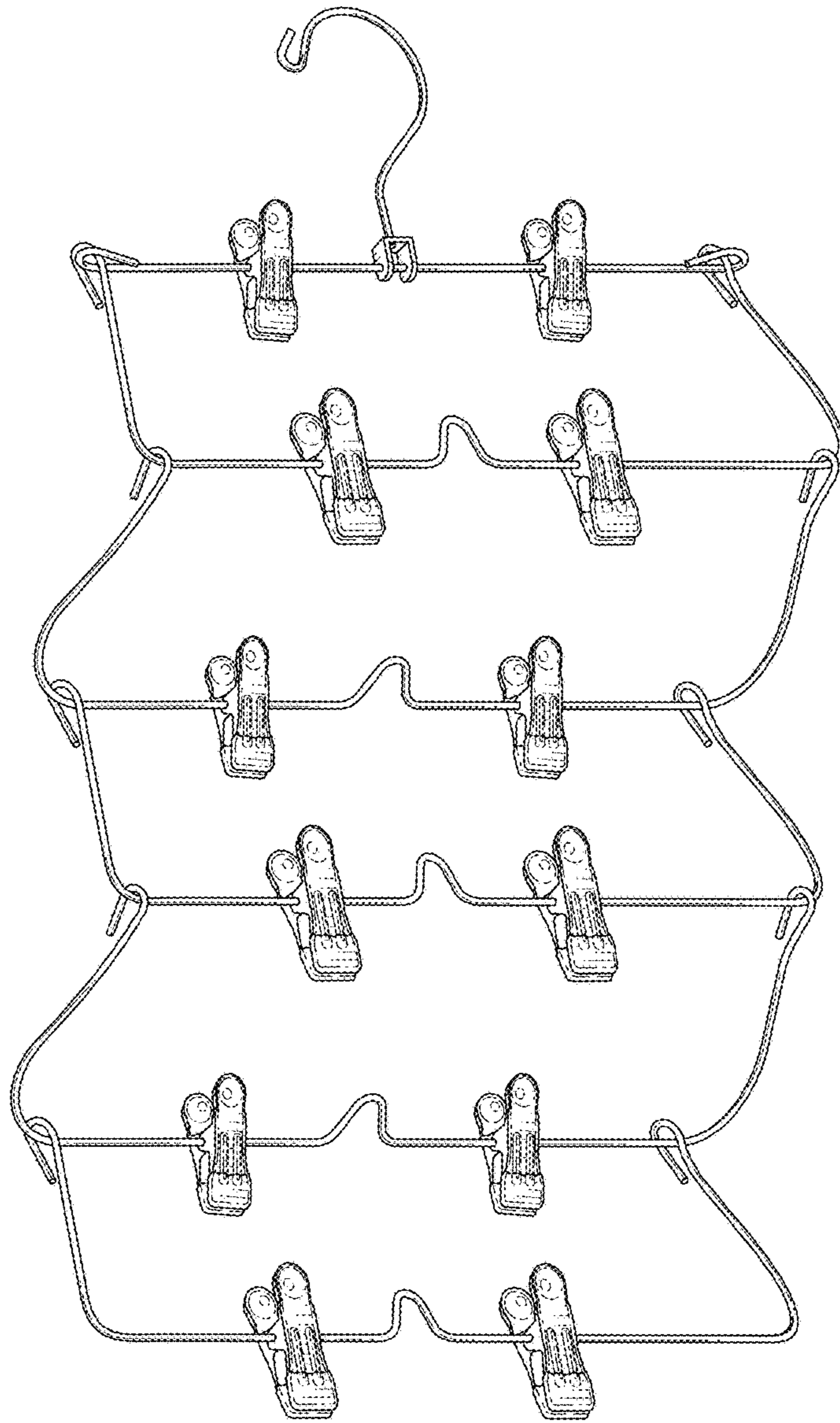


FIG. 9