



US00D846891S

(12) **United States Design Patent**  
**Doherty et al.**

(10) **Patent No.:** **US D846,891 S**  
(45) **Date of Patent:** **\*\* Apr. 30, 2019**

- (54) **BEVELED TABLETOP DISPLAY**
- (71) Applicant: **WEXEL ART**, Austin, TX (US)
- (72) Inventors: **Morgan Doherty**, Austin, TX (US);  
**Natasha McRee**, Austin, TX (US)
- (73) Assignee: **Wexel Art**, Austin, TX (US)
- (\*\*) Term: **15 Years**
- (21) Appl. No.: **29/621,362**
- (22) Filed: **Oct. 6, 2017**
- (51) **LOC (11) Cl.** ..... **06-07**
- (52) **U.S. Cl.**  
USPC ..... **D6/310; D6/314**
- (58) **Field of Classification Search**  
USPC ..... **D6/300-314**  
CPC . **A47G 1/06; A47G 1/0638; A47G 2001/0672**  
See application file for complete search history.

(56) **References Cited**

**U.S. PATENT DOCUMENTS**

D142,985 S *	11/1945	Brown	.....	D19/91
2,998,126 A *	8/1961	Jenkins	.....	A47G 1/12 206/0.83
D224,877 S *	10/1972	Fendrick	.....	D6/300
D266,338 S *	9/1982	Mandel	.....	D20/43
D335,394 S *	5/1993	Chamlian	.....	D6/300
D339,238 S *	9/1993	Hamilton	.....	D6/301
D361,897 S *	9/1995	Jackson	.....	D6/300
D365,535 S *	12/1995	Muckler	.....	D11/132
5,502,907 A *	4/1996	Wang	.....	A47G 1/14 248/455
5,586,401 A *	12/1996	Sheehan	.....	G09F 1/12 40/737
D382,017 S *	8/1997	Bohr	.....	D20/10
D388,077 S *	12/1997	Starck	.....	D11/132
D389,323 S *	1/1998	Buchert	.....	D6/300
D394,161 S *	5/1998	Tsui	.....	D6/300

D394,752 S *	6/1998	Tsui	.....	D6/300
D394,959 S *	6/1998	Kwan	.....	D6/300
D407,119 S *	3/1999	Kwan	.....	D20/21
D423,793 S *	5/2000	Jackson	.....	D6/300

(Continued)

*Primary Examiner* — Deanna L Pratt

(74) *Attorney, Agent, or Firm* — Sprinkle IP Law Group

(57) **CLAIM**

The ornamental design for a beveled tabletop display, as shown and described.

**DESCRIPTION**

FIG. 1 is a front view of a beveled tabletop display having a beveled panel and four fasteners, showing an embodiment of the new design;

FIG. 2 is a front view of a fastener that is part of the new design;

FIG. 3 is a side view of the fastener of FIG. 2;

FIG. 4 is a side view of another fastener that is part of the new design;

FIG. 5 is a front perspective view of the fastener of FIG. 4;

FIG. 6 is a side view of the new design;

FIG. 7 is a top view of the new design;

FIG. 8 is a bottom view of the new design;

FIG. 9 is a front perspective view of the new design in a first orientation;

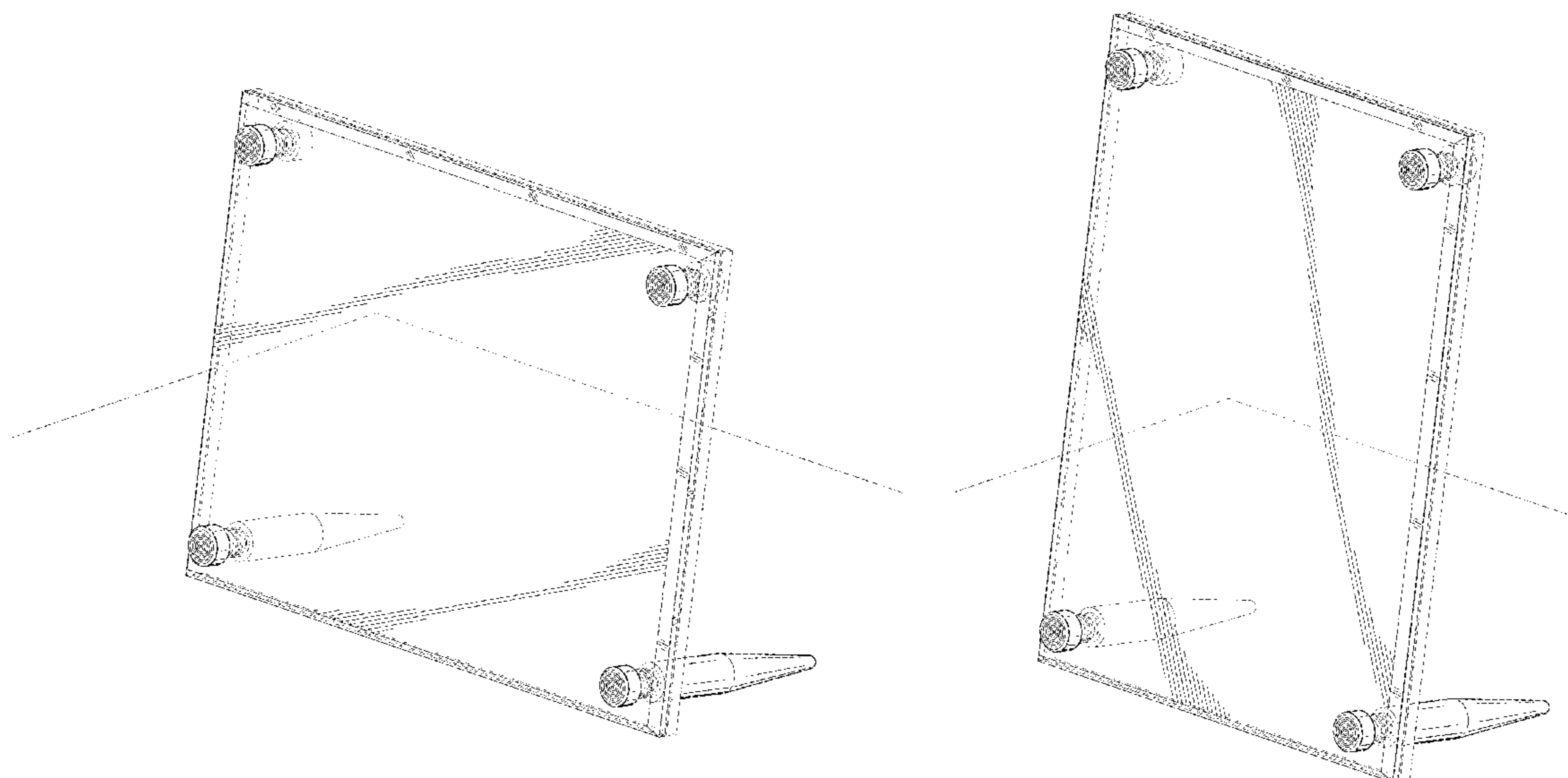
FIG. 10 is a rear perspective view of the new design;

FIG. 11 is another rear perspective view of the new design in a different environment; and,

FIG. 12 is a front perspective view of the new design in a second orientation.

The broken line showing of portions of the beveled tabletop display in FIGS. 6-12 illustrates portions of the beveled tabletop display that form no part of the claimed design. The broken line showing of environment in FIGS. 9-12 illustrates the environment of the claimed design and forms no part thereof.

**1 Claim, 9 Drawing Sheets**



(56)

**References Cited**

U.S. PATENT DOCUMENTS

D461,319 S \* 8/2002 Jackson ..... D6/310  
D501,327 S \* 2/2005 Keigley ..... D6/300  
D518,300 S \* 4/2006 Dele-Ogunrinde ..... D6/301  
D535,869 S \* 1/2007 Brunsteter ..... D8/382  
D554,706 S \* 11/2007 Maier-Hunke ..... D20/42  
7,320,195 B1 \* 1/2008 Kushner ..... A47G 1/142  
40/761  
D581,987 S \* 12/2008 Maier-Hunke ..... D20/42  
D590,704 S \* 4/2009 Brunsteter ..... D8/387  
D635,129 S \* 3/2011 Kim ..... D14/239  
8,046,945 B2 \* 11/2011 Radcliffe ..... A47G 1/06  
40/737  
8,959,817 B1 \* 2/2015 Barnes ..... G09F 7/04  
40/711  
D829,449 S \* 10/2018 Orsi ..... D6/300  
2009/0019753 A1 \* 1/2009 Hayashi ..... A47G 1/065  
40/735

\* cited by examiner

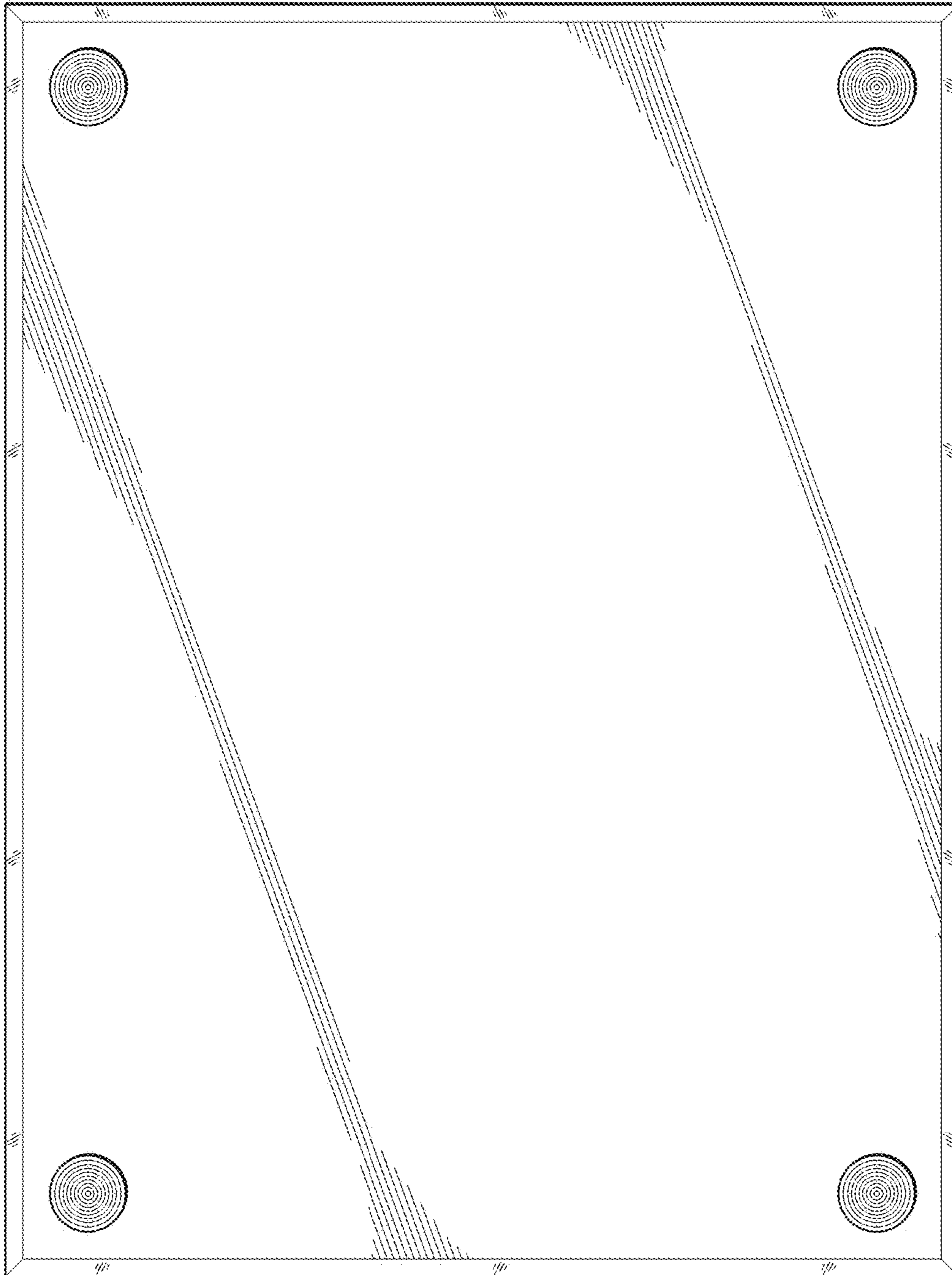


FIG. 1



FIG. 2

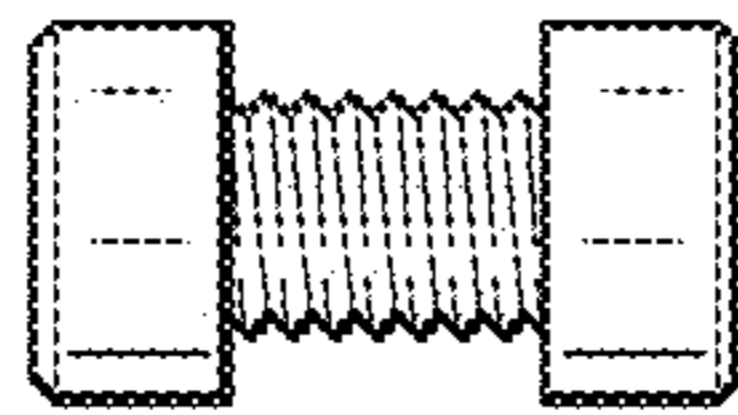


FIG. 3



FIG. 4

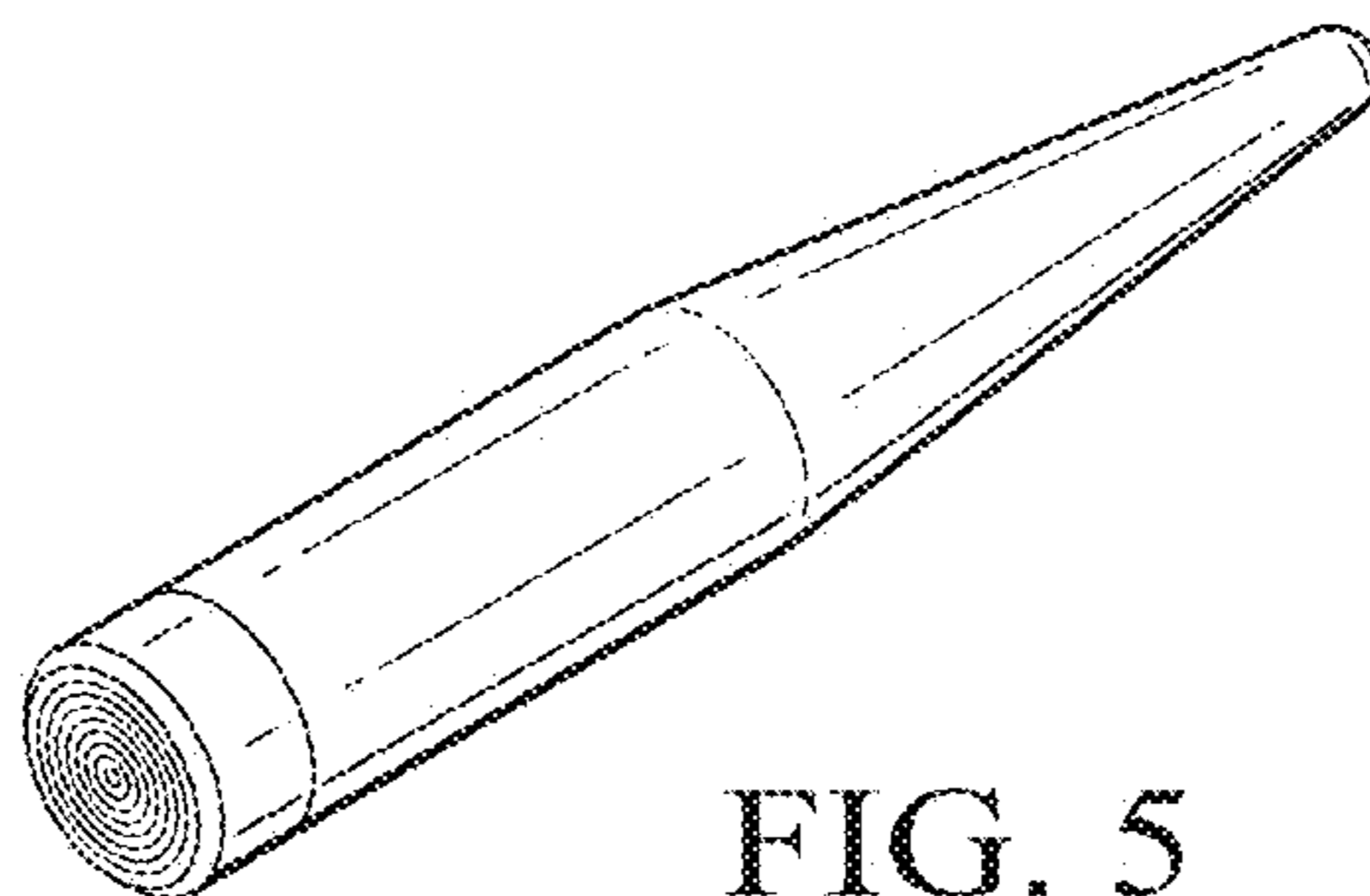


FIG. 5

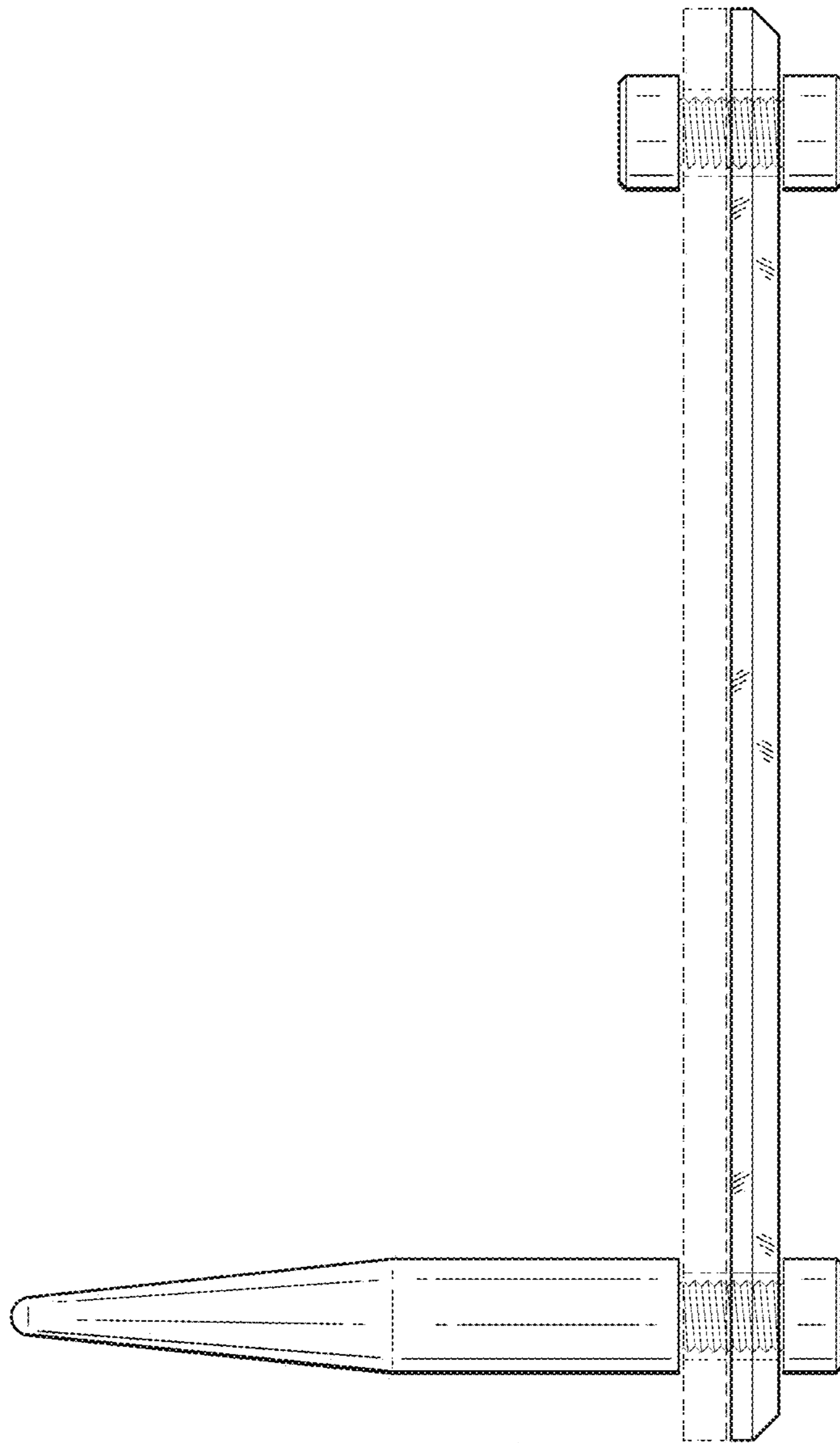


FIG. 6

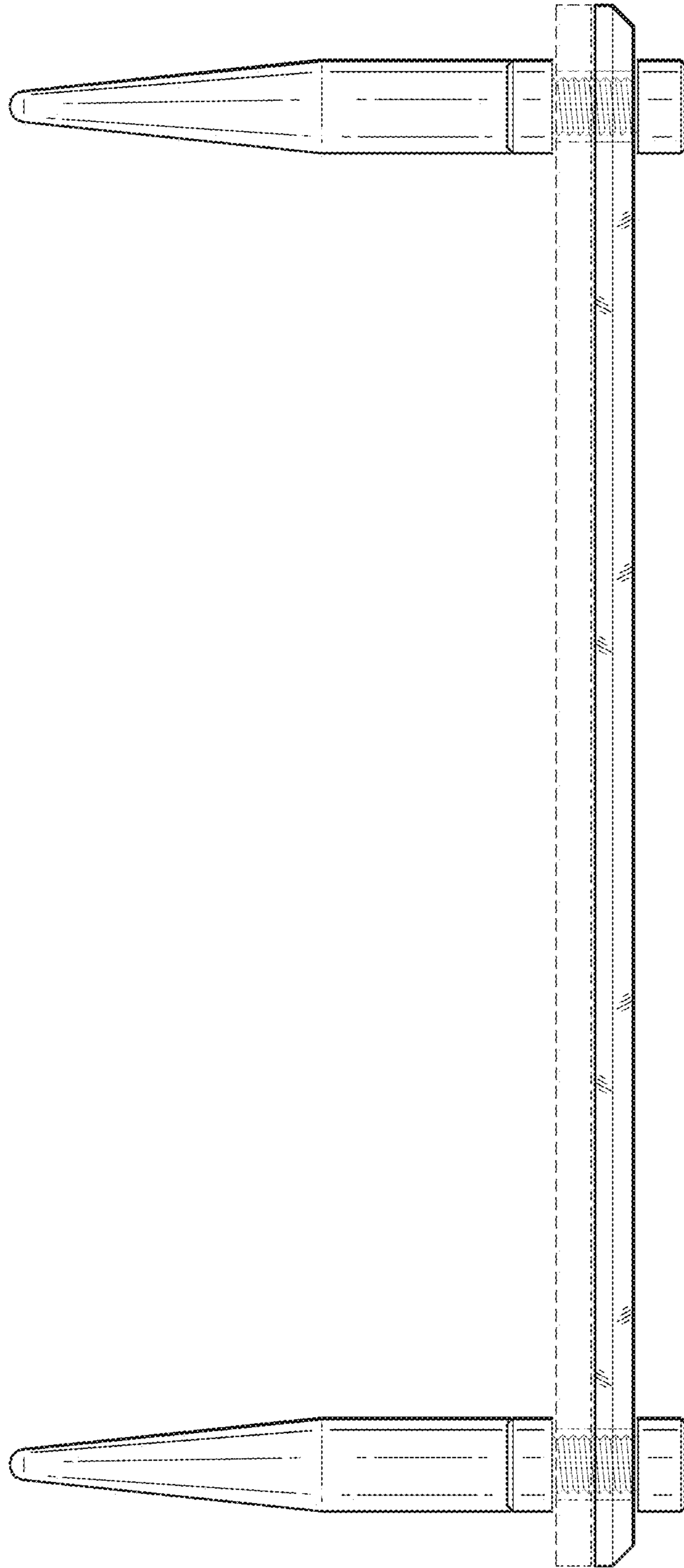


FIG. 7

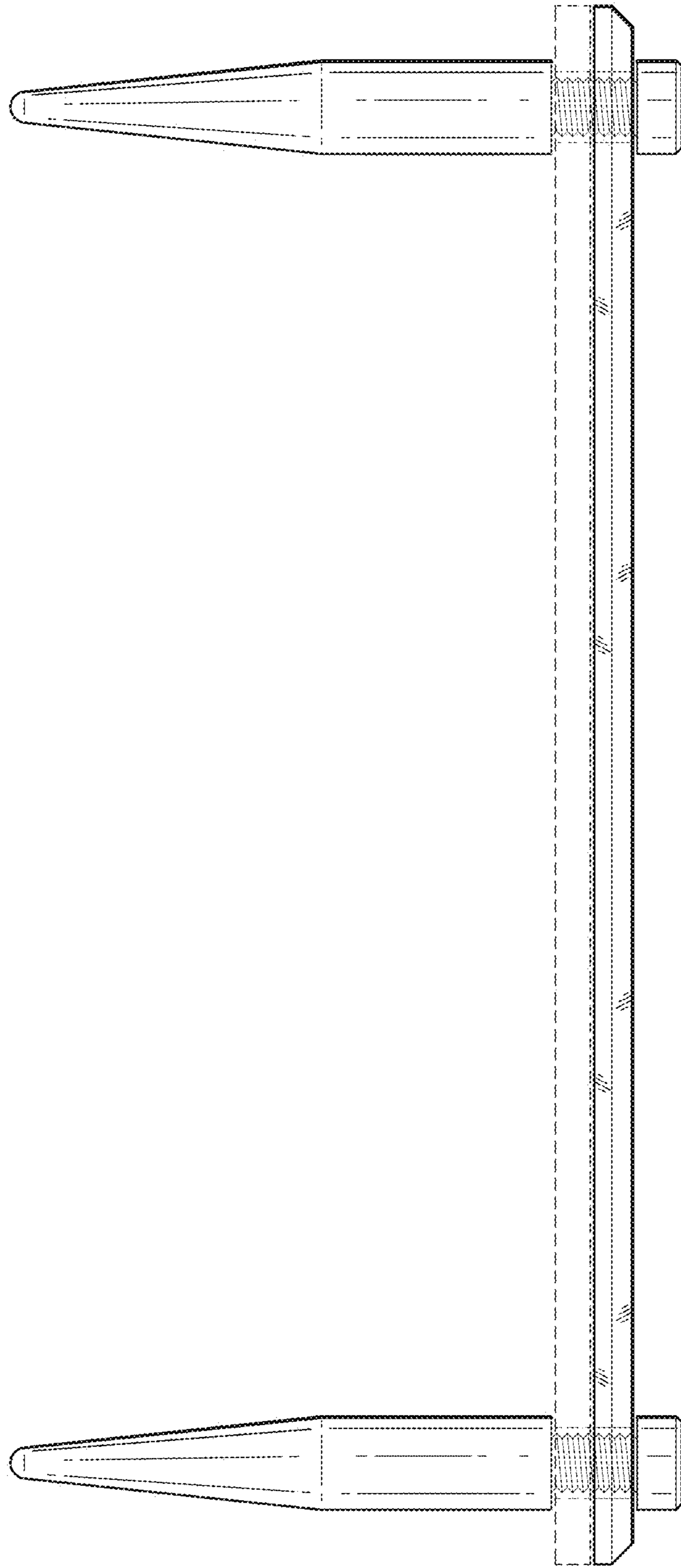


FIG. 8

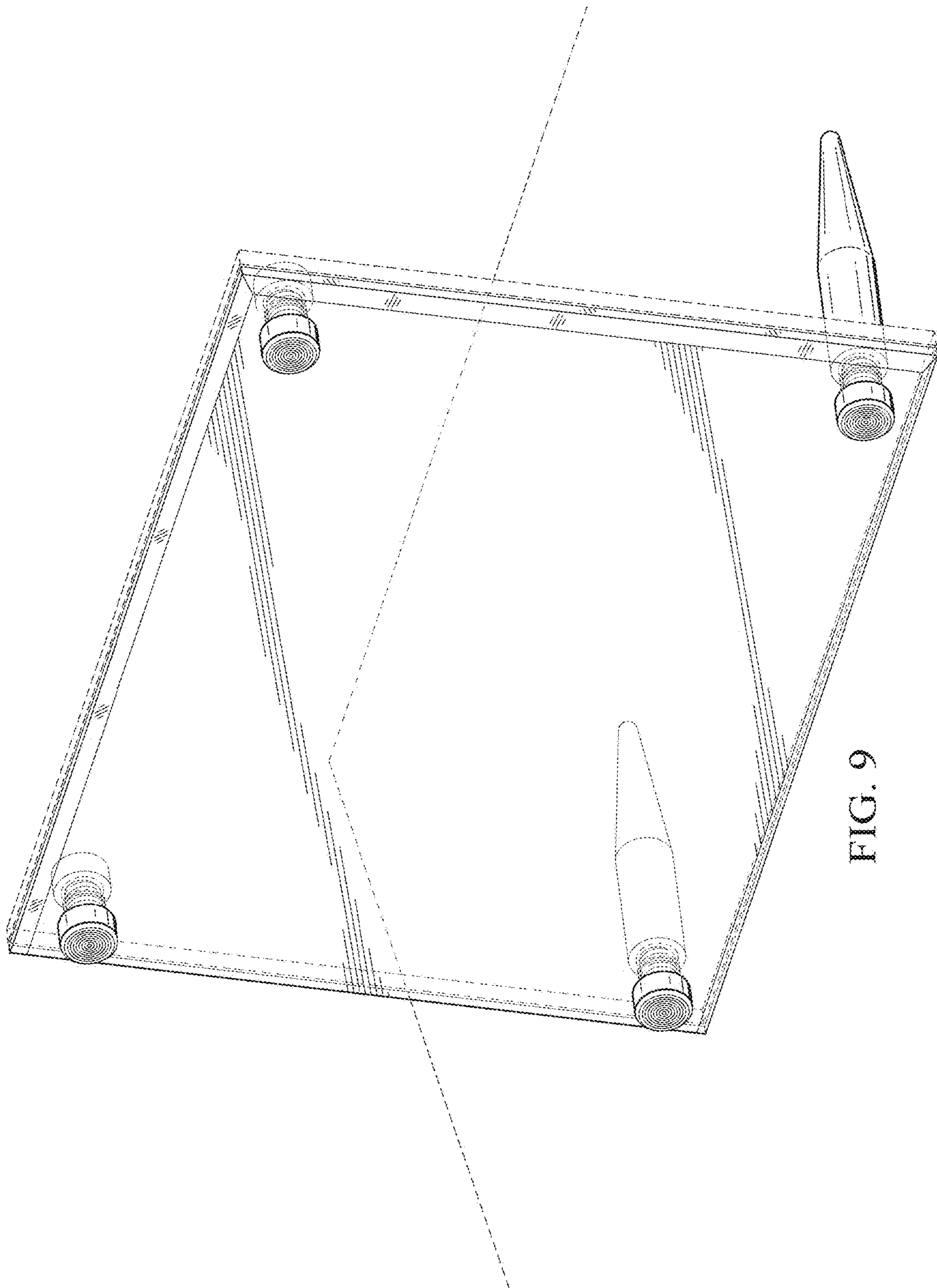
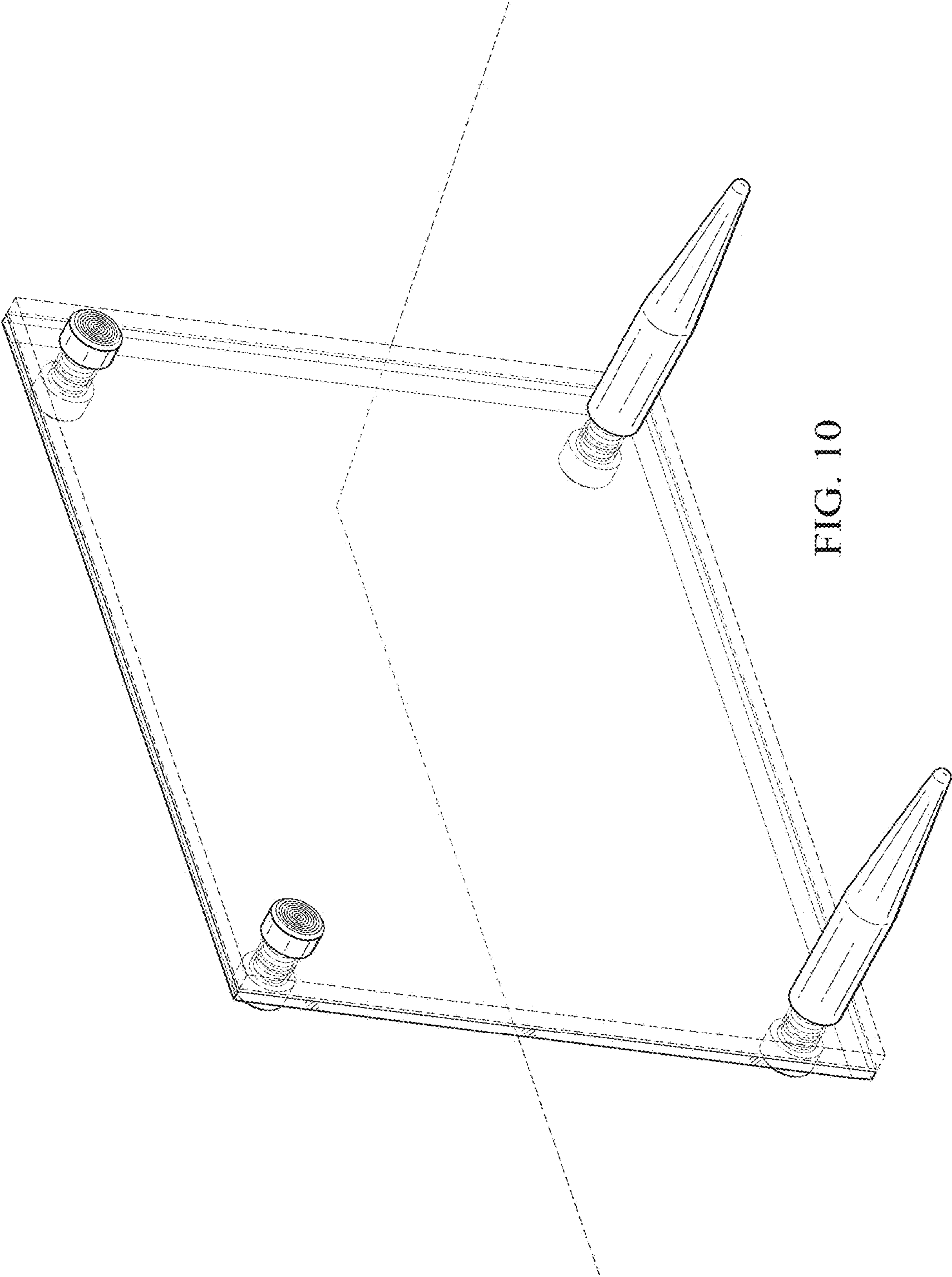


FIG. 9





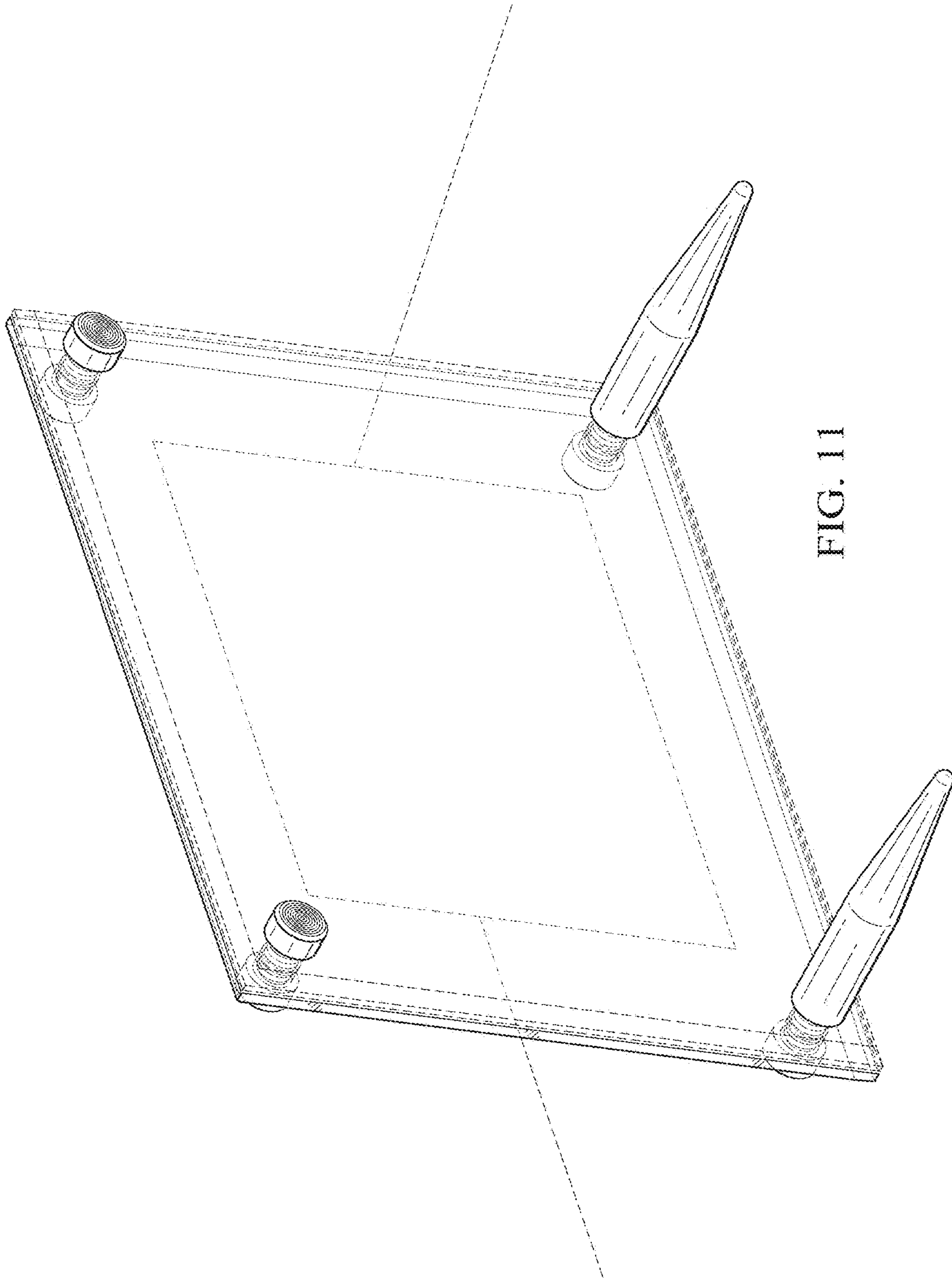


FIG. 11

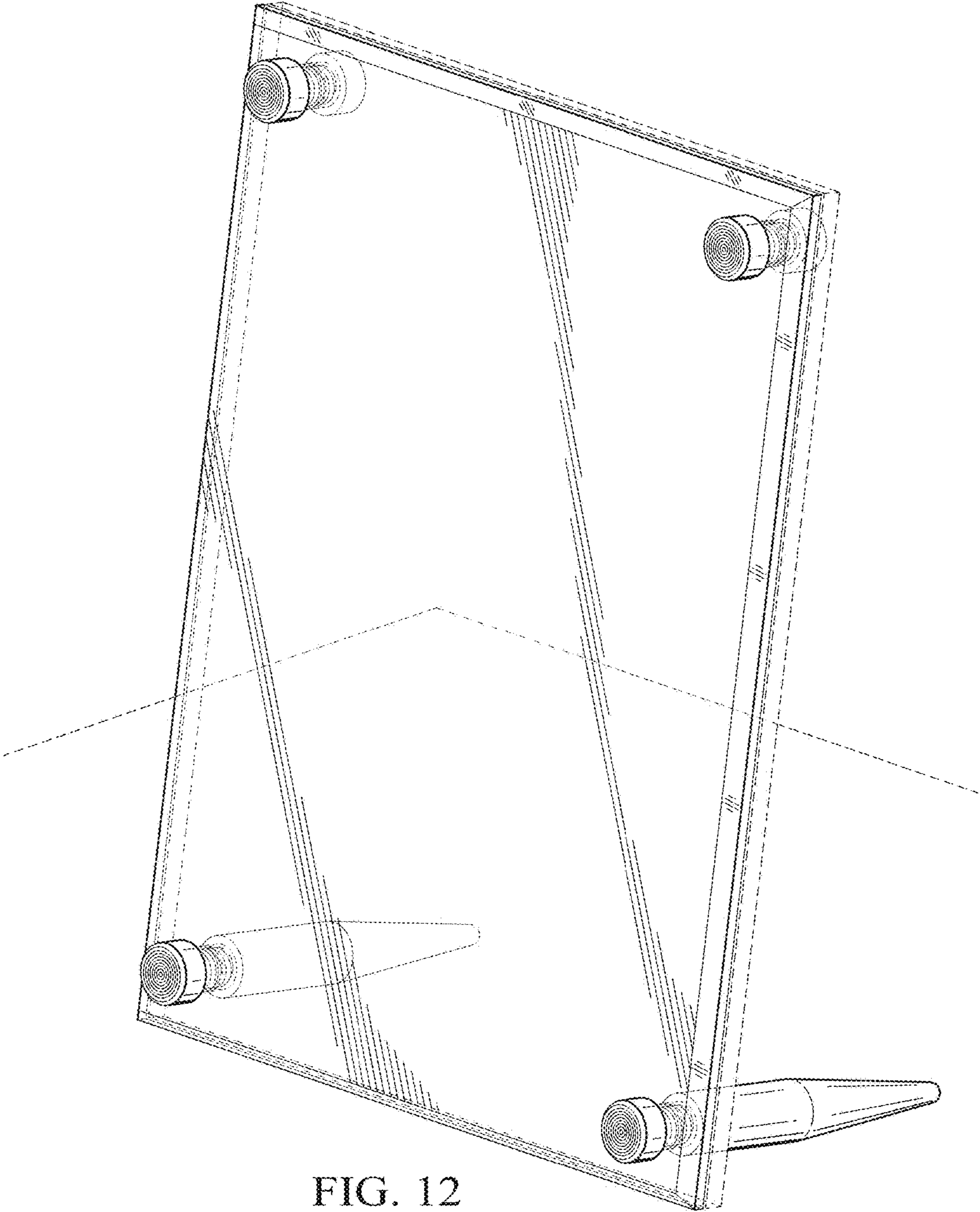


FIG. 12