



US00D846886S

(12) **United States Design Patent**
Katsuma

(10) **Patent No.:** **US D846,886 S**
(45) **Date of Patent:** **** Apr. 30, 2019**

(54) **ROLLER CAGE ASSEMBLY**
(71) Applicant: **LINZER PRODUCTS CORP.**, West
Babylon, NY (US)
(72) Inventor: **Takashi Katsuma**, Port Washington,
NY (US)
(73) Assignee: **LINZER PRODUCTS CORP.**, West
Babylon, NY (US)
(**) Term: **15 Years**

6,510,579 B1 * 1/2003 Gartner B05C 17/02
15/230.11
D717,798 S * 11/2014 Groene D14/411
D724,086 S * 3/2015 Schoenert D14/411
D772,230 S * 11/2016 Lee D14/411
D773,462 S * 12/2016 Mitchell D14/411
D781,293 S * 3/2017 Mitchell D14/411
D784,991 S * 4/2017 Chang D14/411
D797,741 S * 9/2017 Cebe D14/411
D812,057 S * 3/2018 Lehman D14/411
9,909,620 B2 * 3/2018 Ince F16C 33/4676
D825,566 S * 8/2018 Peterson D14/411
D826,940 S * 8/2018 Nishizawa D14/411

* cited by examiner

(21) Appl. No.: **29/625,779**
(22) Filed: **Nov. 13, 2017**
(51) **LOC (11) Cl.** **14-01**
(52) **U.S. Cl.**
USPC **D4/122**
(58) **Field of Classification Search**
USPC D4/122, 199; D6/317, 566; D8/370,
D8/373, 107, 303; 15/27, 230.11;
211/106, 106.01; 248/302; 492/13, 16,
492/17, 19; 16/422, 430, 431, 902,
16/DIG. 12, DIG. 18, DIG. 19
CPC B05C 1/00; B05C 1/02; B05C 17/0205;
B44D 2/00
See application file for complete search history.

Primary Examiner — Austin Murphy

(74) *Attorney, Agent, or Firm* — Donald J. Ranft; Collen

(57) **CLAIM**

The ornamental design for a roller cage assembly, as shown and described.

DESCRIPTION

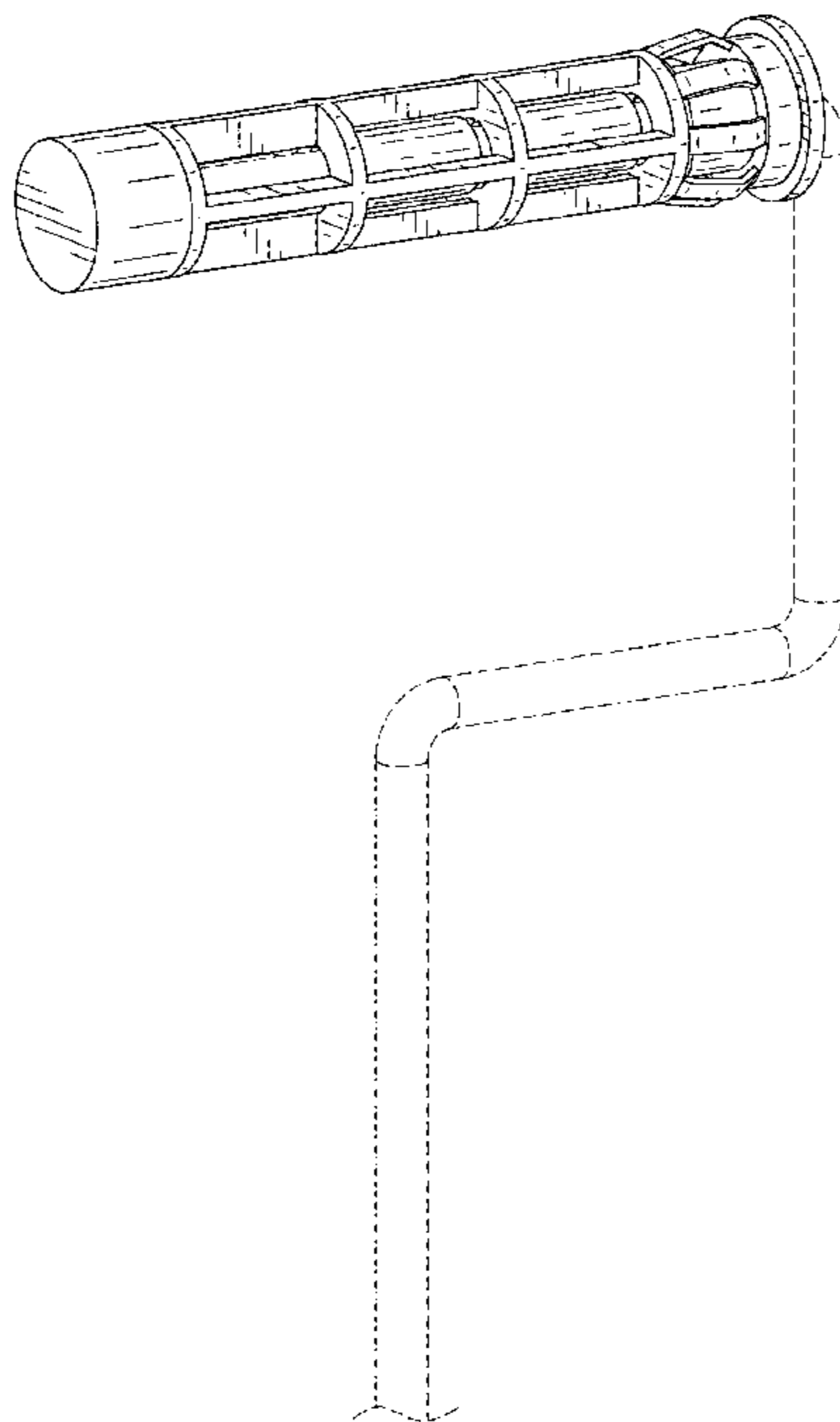
FIG. 1 is a left front perspective view of a roller cage assembly showing my new design;
FIG. 2 is a rear right perspective view thereof;
FIG. 3 is a top view thereof;
FIG. 4 is a bottom view thereof;
FIG. 5 is a left side view thereof;
FIG. 6 is a right side view thereof; and,
FIG. 7 is a front/back view thereof.
The portions of the roller cage assembly shown in broken lines form no part of the claimed design.

(56) **References Cited**

U.S. PATENT DOCUMENTS

5,490,303 A 2/1996 Graves
6,438,788 B1 * 8/2002 Gartner B05C 17/02
15/230.11

1 Claim, 5 Drawing Sheets



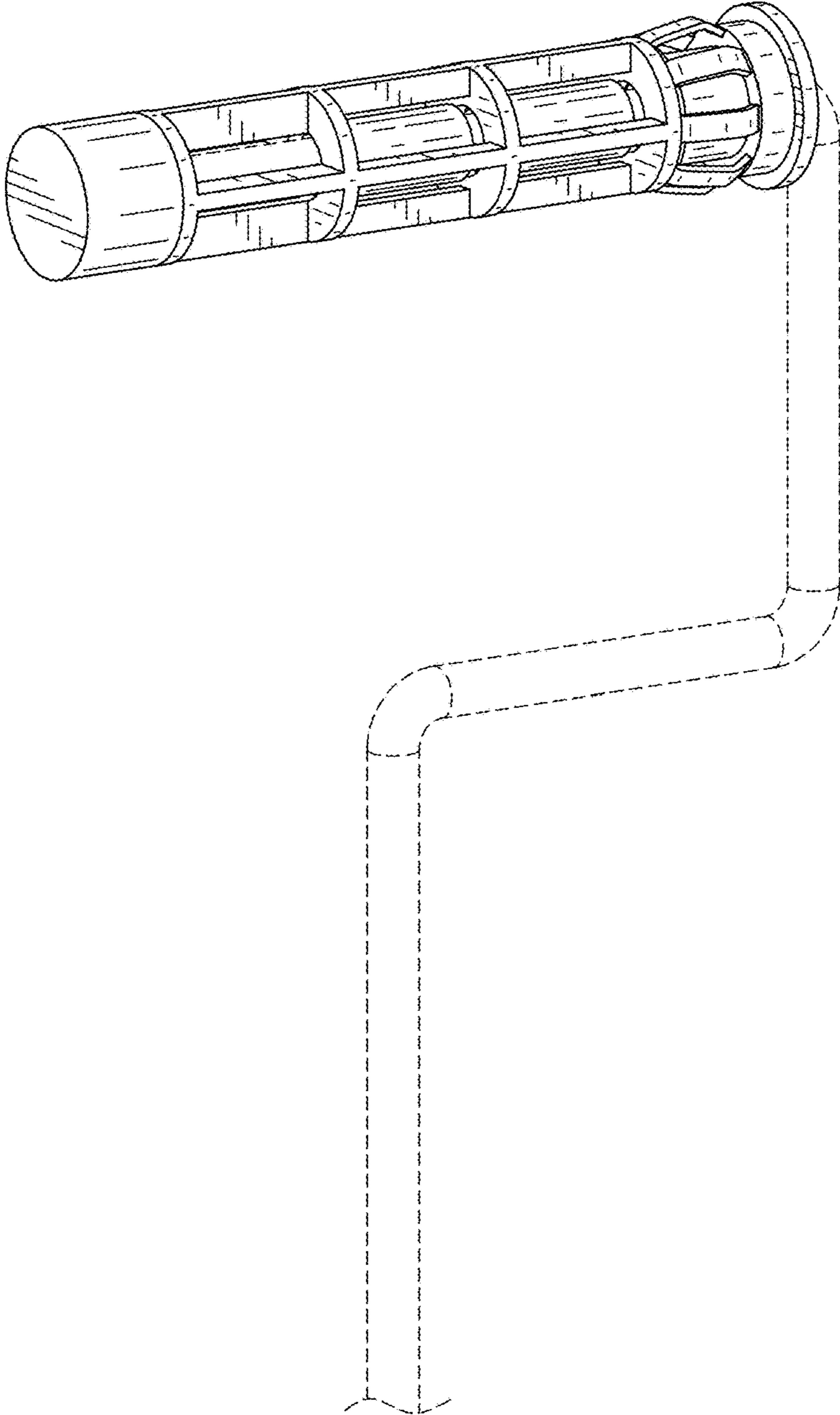


FIG. 1

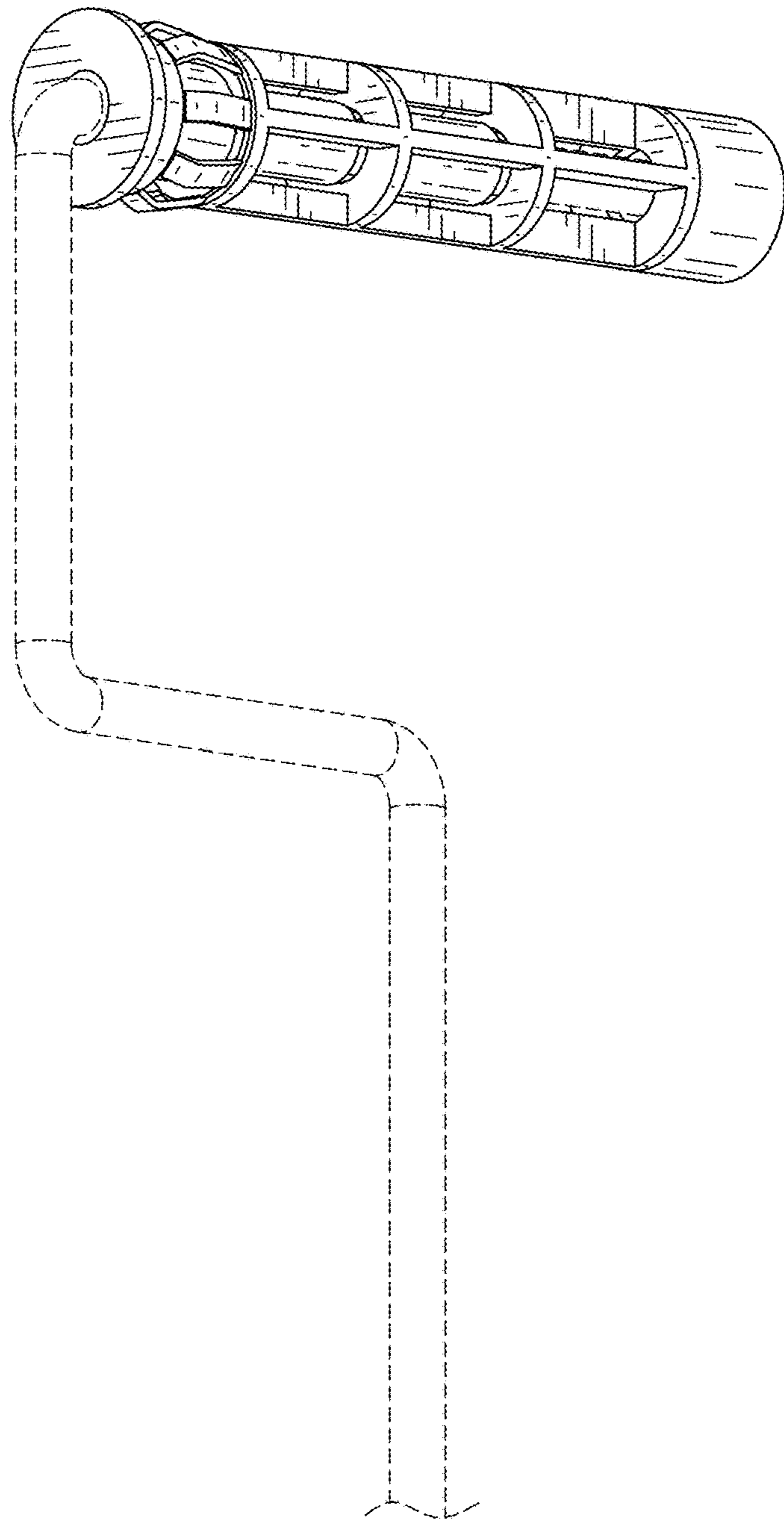


FIG. 2

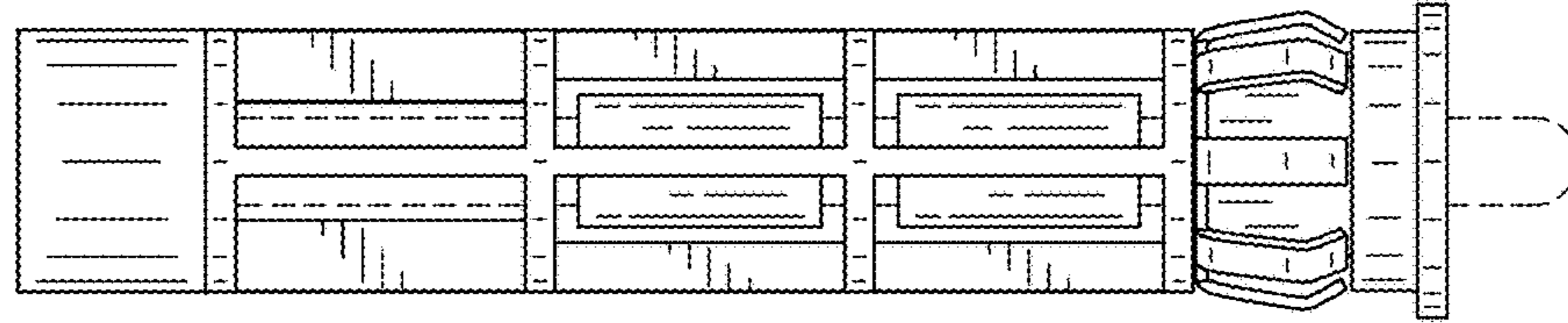


FIG. 3

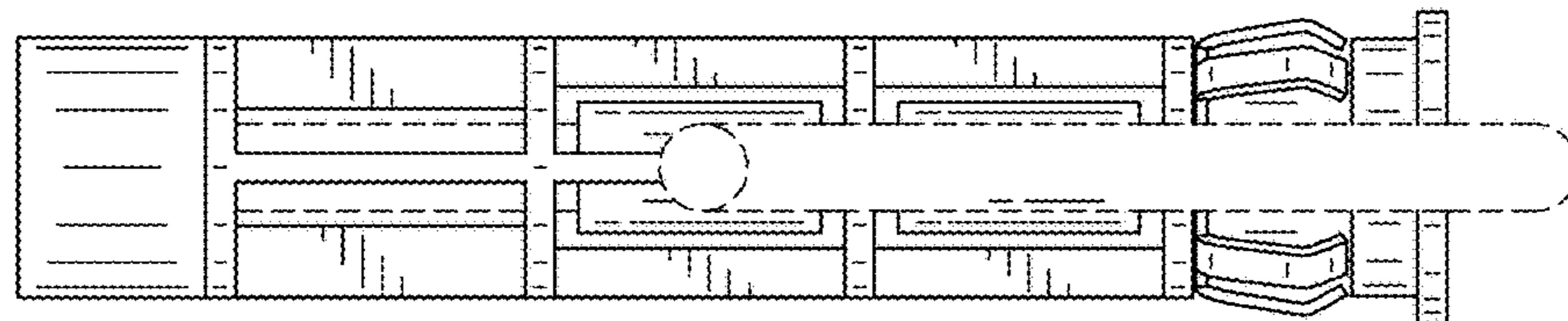


FIG. 4

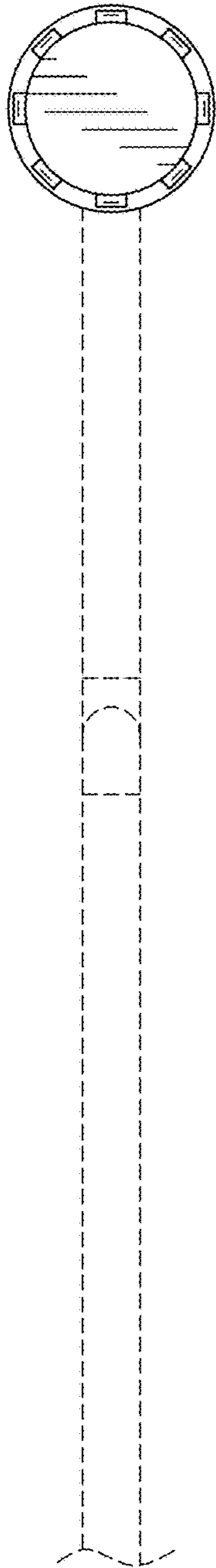


FIG. 5

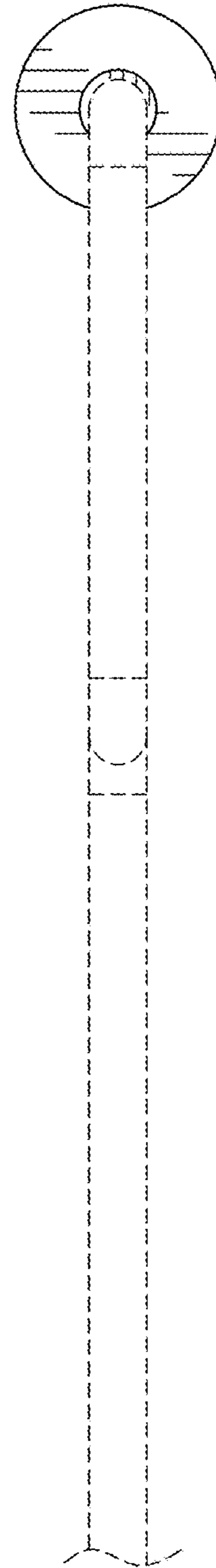


FIG. 6

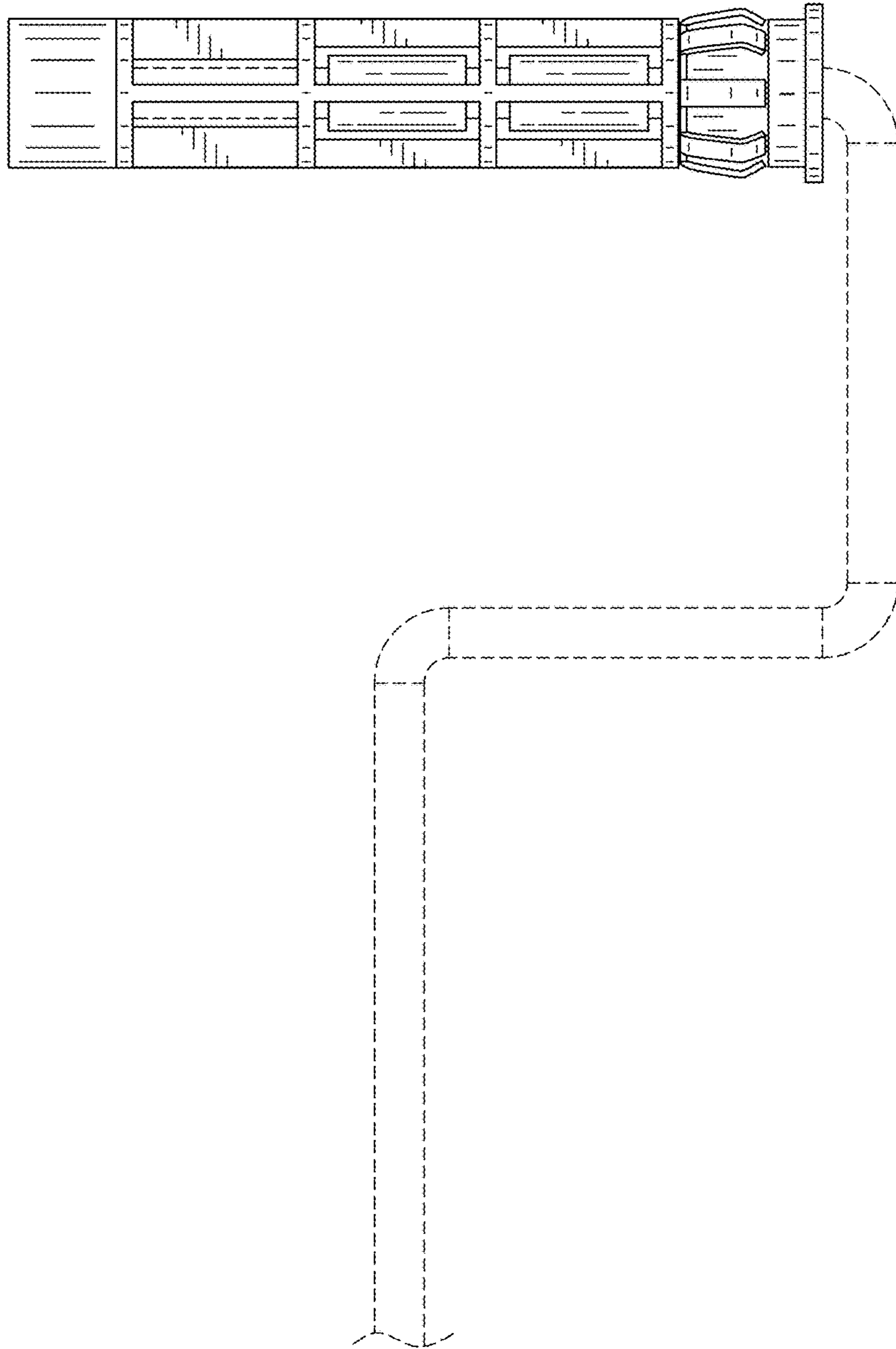


FIG. 7