



US00D846885S

(12) **United States Design Patent**
Khoun

(10) **Patent No.:** **US D846,885 S**

(45) **Date of Patent:** **** Apr. 30, 2019**

(54) **HAIR BRUSH**

(71) Applicant: **CONAIR CORPORATION**, Stamford, CT (US)

(72) Inventor: **Mary Khoun**, Stamford, CT (US)

(73) Assignee: **Conair Corporation**, Stamford, CT (US)

(**) Term: **15 Years**

(21) Appl. No.: **29/626,851**

(22) Filed: **Nov. 21, 2017**

(51) **LOC (11) Cl.** **04-02**

(52) **U.S. Cl.**
USPC **D4/117; D4/121; D4/136; D4/100; D28/35**

(58) **Field of Classification Search**
USPC **D4/100, 102, 114, 115, 116, 117, 121, D4/122, 123, 127, 128, 129, 130, 131, D4/136, 137, 138, 199; D30/158; D28/65**

CPC **A46B 5/02; A46B 9/023; A46B 2200/104; A46B 9/28; A46D 1/0253; A46D 1/0284; A46D 1/0238**

See application file for complete search history.

(56) **References Cited**

U.S. PATENT DOCUMENTS

- 3,491,777 A * 1/1970 Grosbard A46B 7/02 132/120
- D264,400 S * 5/1982 Arnold D4/122
- D404,522 S * 1/1999 Kip D28/18
- 5,979,463 A 11/1999 Santy, III et al.
- 6,044,514 A * 4/2000 Kaneda A46B 3/16 15/110
- 6,341,611 B1 1/2002 Nakamura
- 6,817,053 B2 11/2004 Nakamura

- 7,310,849 B2 1/2007 White et al.
- 7,490,615 B2 * 2/2009 Rizzuto A45D 2/002 132/129
- D604,011 S * 11/2009 Leung D28/13
- 7,650,893 B2 1/2010 De Laforcade
- D609,857 S * 2/2010 Schmitz D28/15
- 7,661,174 B2 2/2010 Park
- 7,712,176 B2 5/2010 Guenin
- D645,664 S * 9/2011 Pires D4/133
- 8,091,560 B2 * 1/2012 Kim A45D 40/267 132/217

(Continued)

FOREIGN PATENT DOCUMENTS

- EM 003067065-0004 * 5/2016
- EM 003067065-0005 * 5/2016

Primary Examiner — Karen E Eldridge Powers

(74) *Attorney, Agent, or Firm* — Lawrence Cruz, Esq.; Ryan, Mason & Lewis, LLP

(57) **CLAIM**

The ornamental design(s) for a hair brush, as shown and described.

DESCRIPTION

FIG. 1 is a perspective view of the hair brush in accordance with the principles of the present disclosure with the first and second members in an approximated condition;

FIG. 2 is a perspective view of the hair brush with the first and second members in an open condition;

FIG. 3 is a right side elevation view of the hair brush of FIG. 1, the left side elevation view being a mirror image thereof;

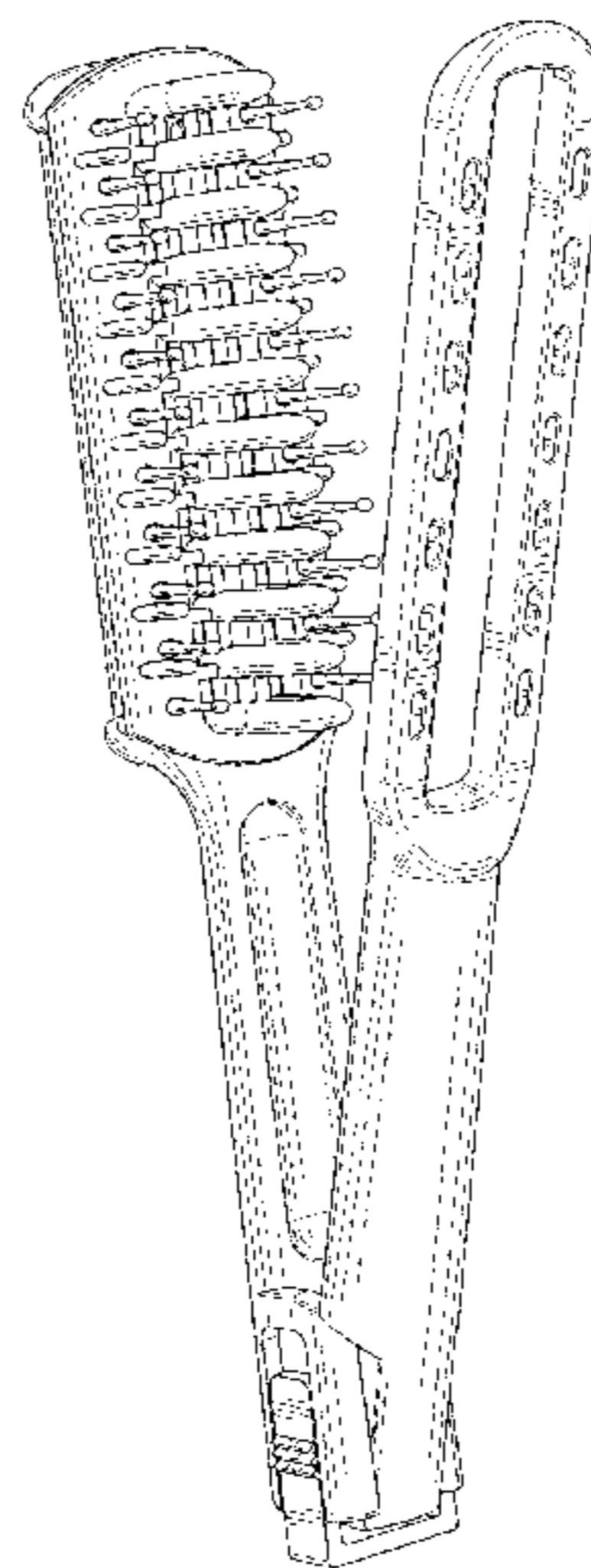
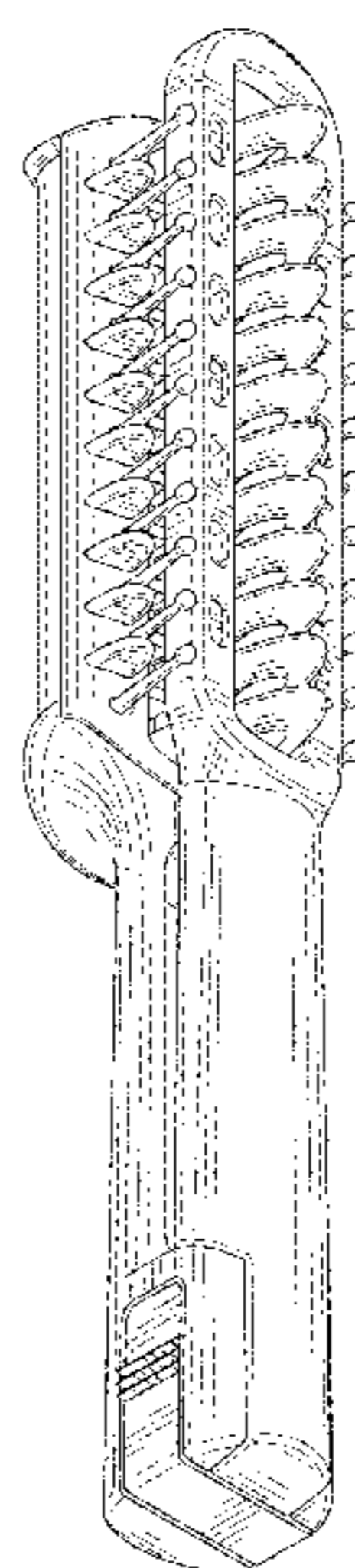
FIG. 4 is a top plan view of the hair brush of FIG. 1;

FIG. 5 is a bottom plan view of the hair brush of FIG. 1;

FIG. 6 is a front axial view of the hair brush of FIG. 1; and, FIG. 7 is a rear axial view of the hair brush of FIG. 1.

The broken lines shown indicate unclaimed portions of the article and form no part of the claimed design.

1 Claim, 6 Drawing Sheets



(56)

References Cited

U.S. PATENT DOCUMENTS

8,196,592	B2	6/2012	Choi	
8,209,877	B2 *	7/2012	Smal	A45D 2/002 34/96
8,220,100	B2	7/2012	Diamond	
8,267,098	B2	9/2012	Glucksman	
8,342,188	B2	1/2013	Pabari et al.	
8,397,336	B2	3/2013	Park	
8,919,350	B1	12/2014	Hsu	
9,326,591	B2	5/2016	Smal	
9,402,460	B2	8/2016	Hickey	
D765,911	S *	9/2016	Hollinger	D28/15
D766,504	S *	9/2016	Hollinger	D28/15
D771,310	S *	11/2016	He	D28/15
9,532,642	B2 *	1/2017	Zech	A46B 3/005
9,578,943	B2	2/2017	Guy-Rabi et al.	
9,591,906	B2	3/2017	Guy-Rabi et al.	
D824,173	S *	7/2018	Richmond	D4/100
2007/0033754	A1	2/2007	Diamond	
2007/0174984	A1	8/2007	Diamond	
2008/0017217	A1 *	1/2008	Leung	A45D 20/525 132/313
2015/0122286	A1 *	5/2015	Valle	A45D 1/04 132/229
2016/0022022	A1 *	1/2016	Lorenzi	A46B 5/002 15/184
2016/0360847	A1 *	12/2016	He	A45D 2/002
2017/0119124	A1 *	5/2017	Guy-Rabi	A46B 9/06
2017/0208915	A1	7/2017	Richmond	
2018/0271247	A1 *	9/2018	Marston	A45D 1/04

* cited by examiner

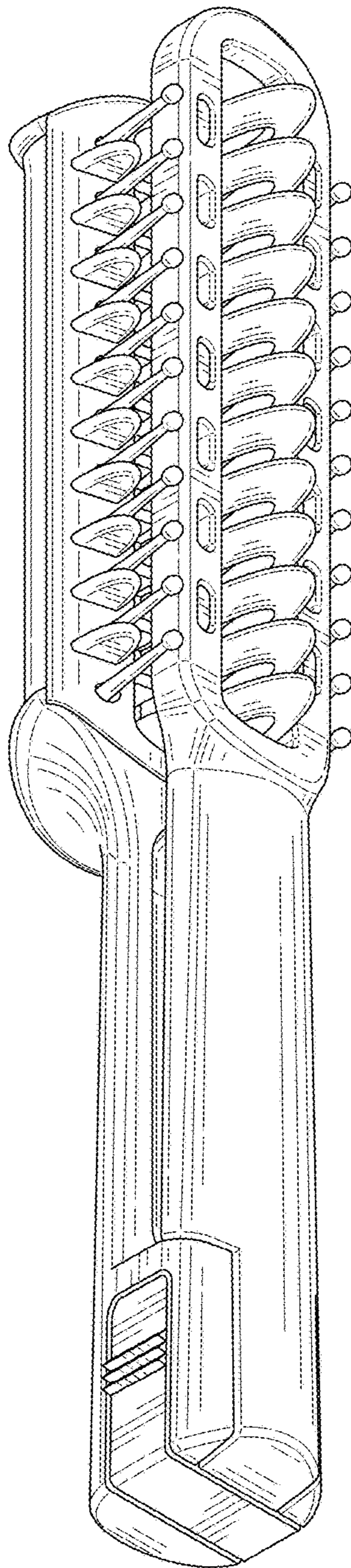


FIG. 1

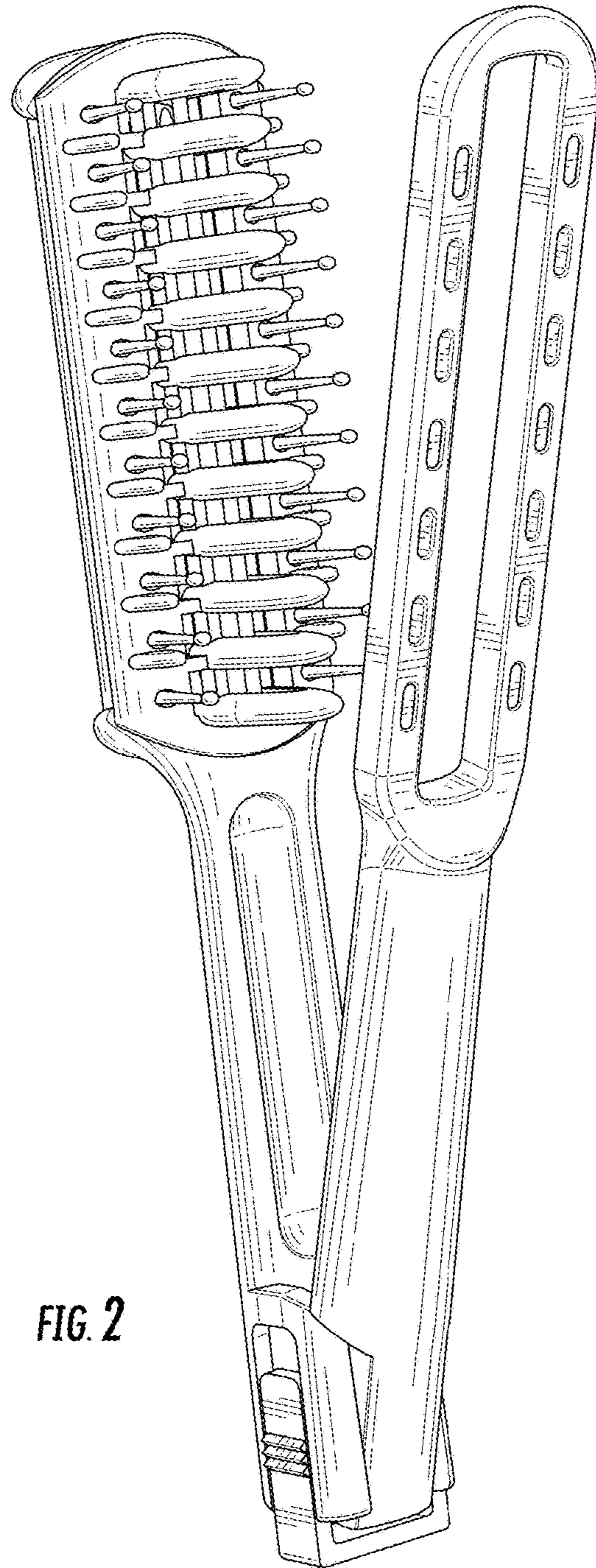


FIG. 2

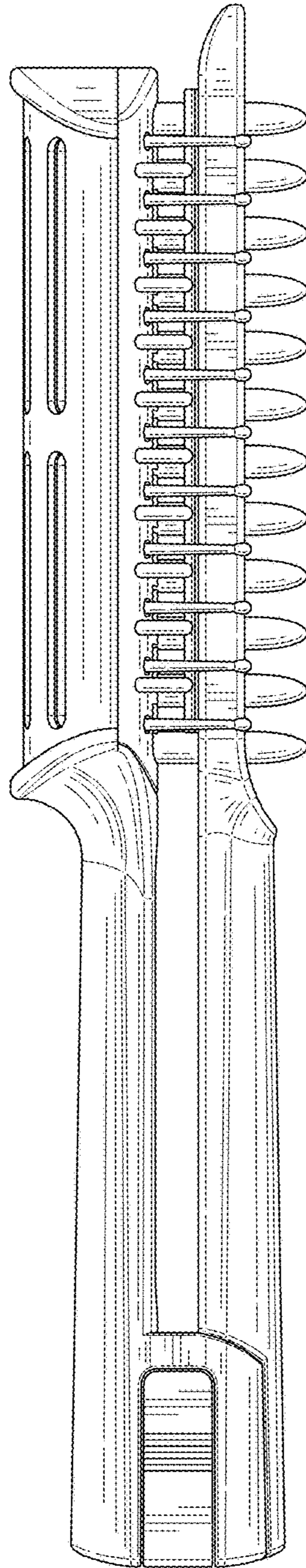


FIG. 3

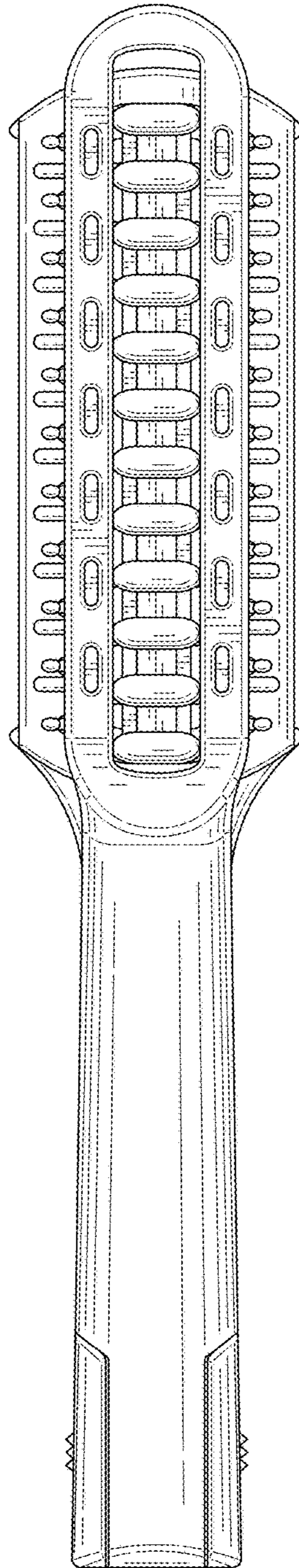


FIG. 4

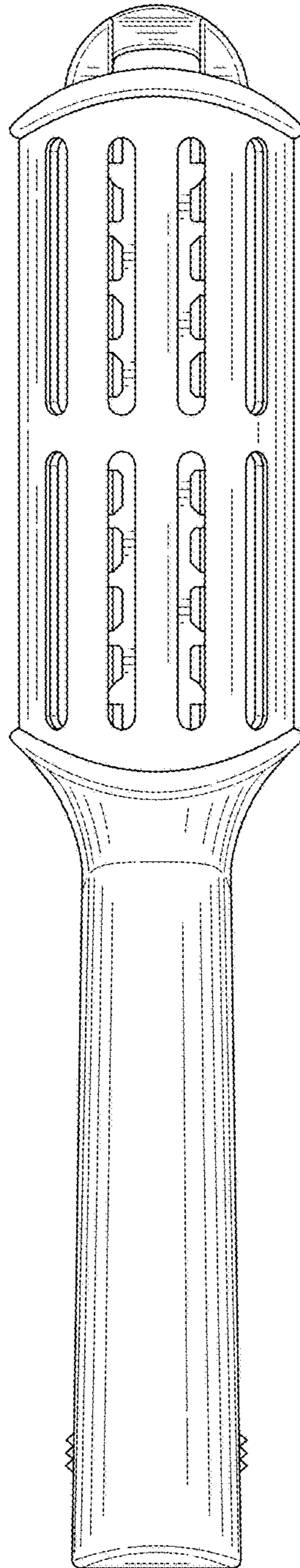


FIG. 5

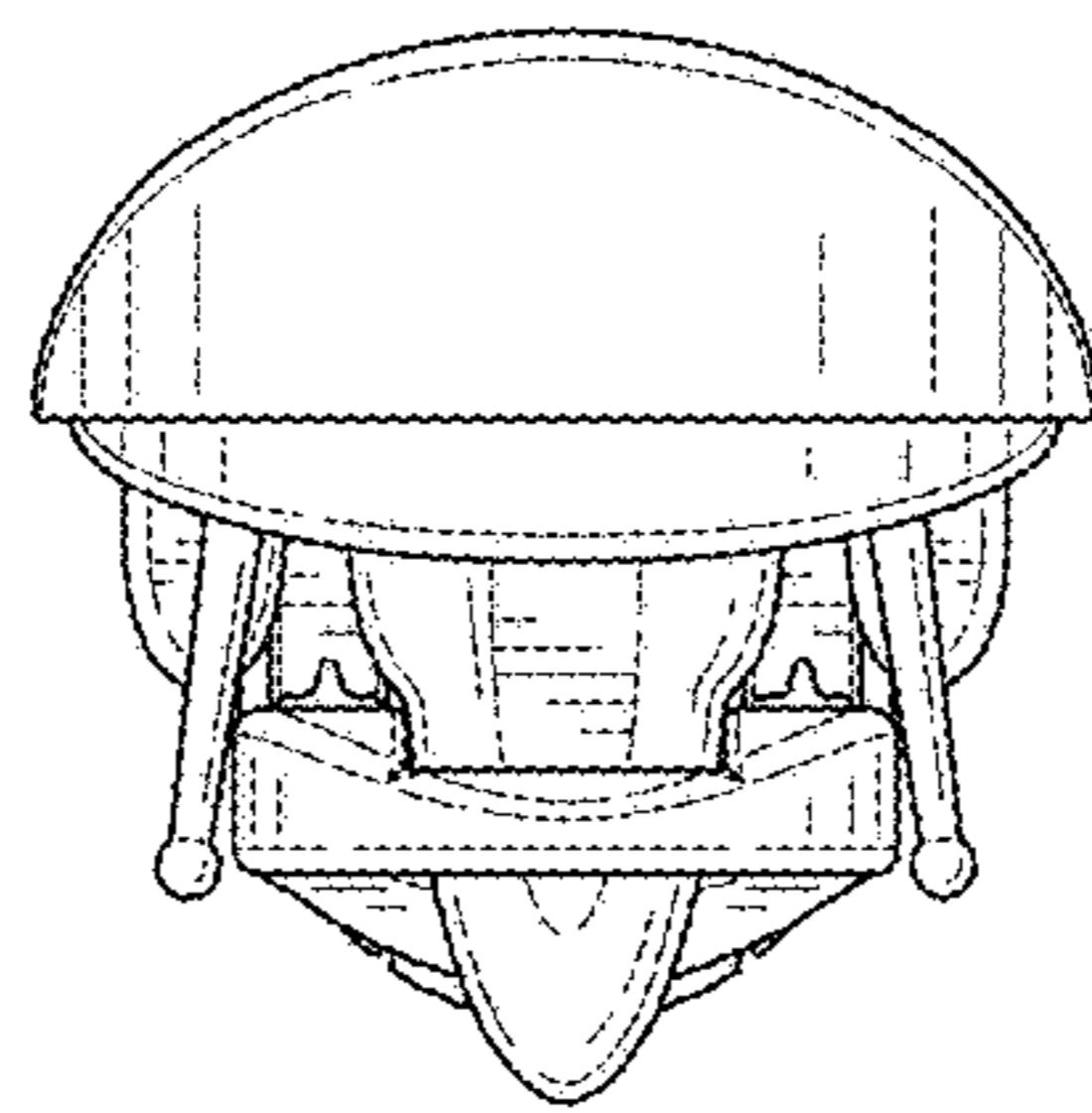


FIG. 6

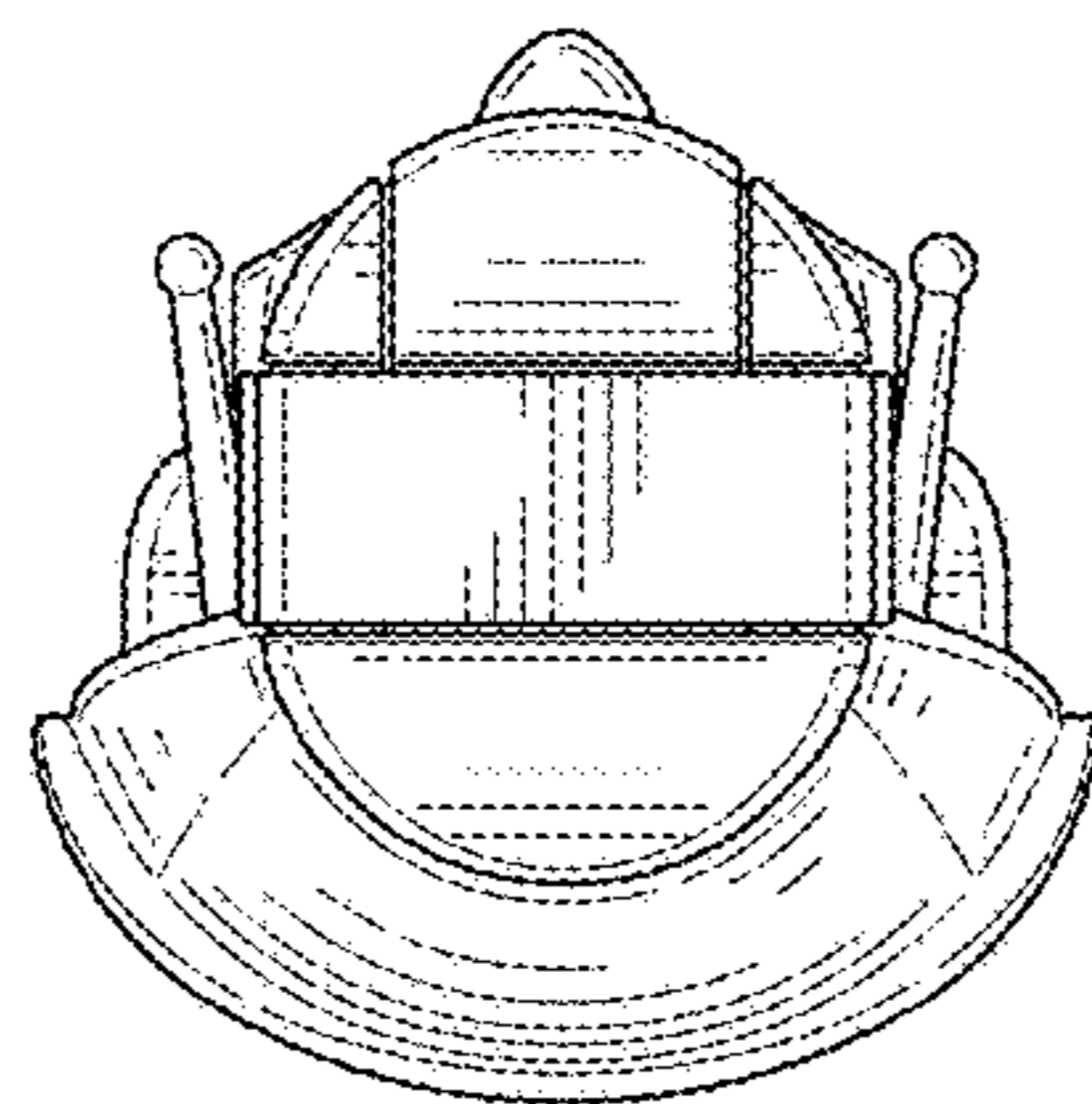


FIG. 7