



US00D846882S

(12) **United States Design Patent**
Fang

(10) **Patent No.:** **US D846,882 S**

(45) **Date of Patent:** **** Apr. 30, 2019**

(54) **MULTIFUNCTIONAL SMART TOOTHBRUSH**

(71) Applicant: **Shenzhen Fortunecome Technology Co., Ltd., Guangdong (CN)**

(72) Inventor: **Xiaolin Fang, Guangdong (CN)**

(**) Term: **15 Years**

(21) Appl. No.: **29/617,635**

(22) Filed: **Sep. 15, 2017**

(30) **Foreign Application Priority Data**

Mar. 17, 2017 (CN) 2017 3 0079519

(51) **LOC (11) Cl.** **04-02**

(52) **U.S. Cl.**
USPC **D4/101**

(58) **Field of Classification Search**
USPC D4/100, 101, 102, 104, 108, 132, 138;
D24/152
CPC A46B 5/00; A46B 5/02; A46B 5/0095;
A46B 5/021; A46B 2200/10; A46B
2200/1066; A46B 2200/1086; A46B
2200/1073; A46B 9/04; A46B 9/10; A46B
9/045; A46B 15/0097; A61C 17/16; A61C
17/32; A61C 17/34; A61C 17/036; A61C
17/222; A61C 17/225; A61C 17/228
See application file for complete search history.

(56) **References Cited**

U.S. PATENT DOCUMENTS

D411,769 S *	7/1999	Wright	D4/101
D453,996 S *	3/2002	Kling	D4/101
D456,608 S *	5/2002	Lim	D4/101
D458,028 S *	6/2002	McCurrach	D4/101
D467,432 S *	12/2002	Callendrille, Jr.	D4/108
D545,569 S *	7/2007	Chen	D4/101

D630,854 S *	1/2011	Lozov	D4/101
D759,381 S *	6/2016	Watkins	D4/101
9,364,303 B2 *	6/2016	Driesen	A61C 17/3436
D765,415 S *	9/2016	Zhen	D4/101
D771,388 S *	11/2016	Since	D4/101
D787,189 S *	5/2017	Fretwell	D4/101
D795,590 S *	8/2017	Sedic	D4/101
D824,175 S *	7/2018	Yan	D4/101
2008/0028553 A1 *	2/2008	Batthauer	A46B 5/0095 15/105
2010/0024143 A1 *	2/2010	Dickie	A46B 5/00 15/167.1
2013/0203008 A1 *	8/2013	Kressman	A46B 15/0034 433/27
2017/0156835 A1 *	6/2017	Schaefer	A61C 17/222
2018/0055212 A1 *	3/2018	Follows	A61C 17/02
2018/0132603 A1 *	5/2018	Gatzemeyer	A46B 5/026
2018/0247565 A1 *	8/2018	Varga	A46B 15/0006

(Continued)

Primary Examiner — Wan Laymon

Assistant Examiner — Clint A Samuel

(74) *Attorney, Agent, or Firm* — Prakash Nama; Global IP Services, PLLC

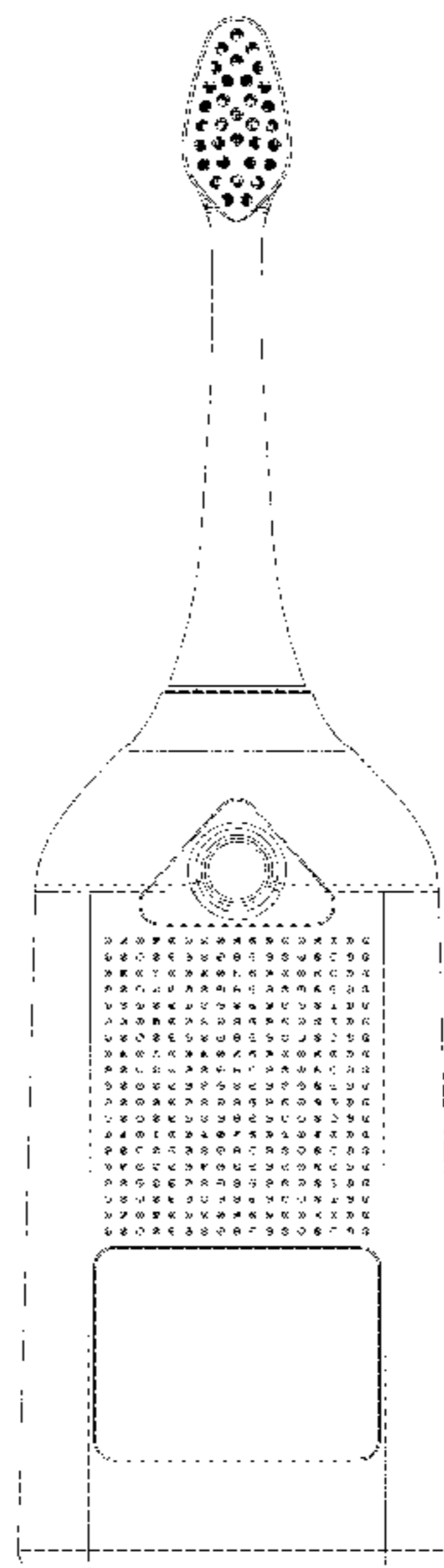
(57) **CLAIM**

The ornamental design for a multifunctional smart toothbrush, as shown and described.

DESCRIPTION

FIG. 1 is a front view of a multifunctional smart toothbrush showing my new design;
FIG. 2 is a rear view thereof;
FIG. 3 is a left side view thereof;
FIG. 4 is a right side view thereof;
FIG. 5 is a top plan view thereof;
FIG. 6 is a bottom plan view thereof; and
FIG. 7 is a front perspective view thereof;
FIG. 8 is a bottom perspective view thereof; and,
FIG. 9 is an enlarged view of portion 9 shown in FIG. 5.

1 Claim, 8 Drawing Sheets



(56)

References Cited

U.S. PATENT DOCUMENTS

2018/0250107 A1* 9/2018 Dai A61C 17/16
2018/0289458 A1* 10/2018 Follows A46B 9/04

* cited by examiner

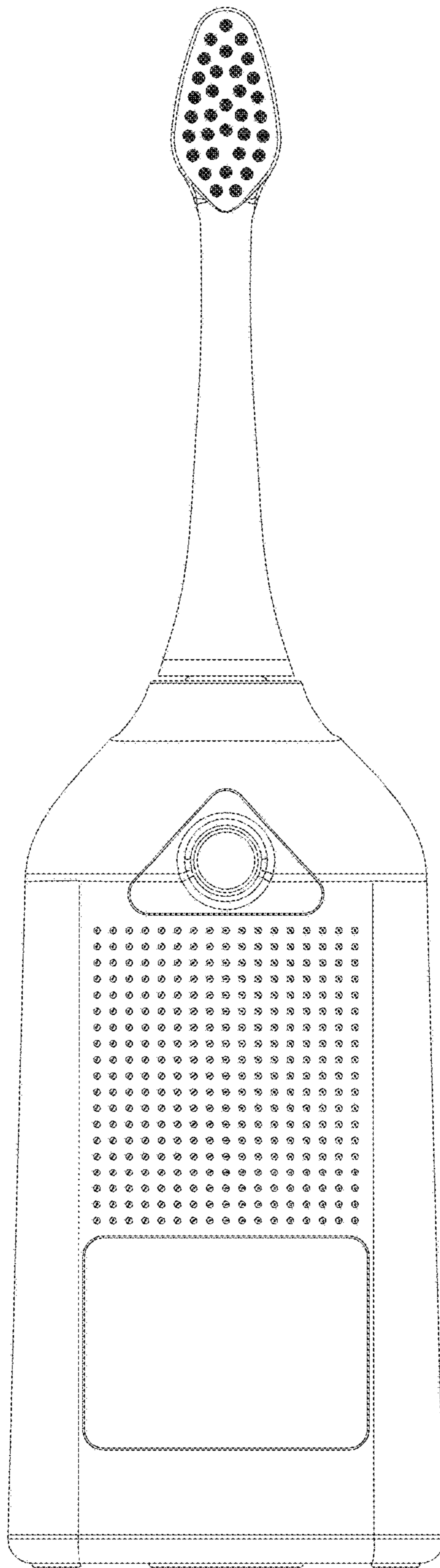


FIG. 1

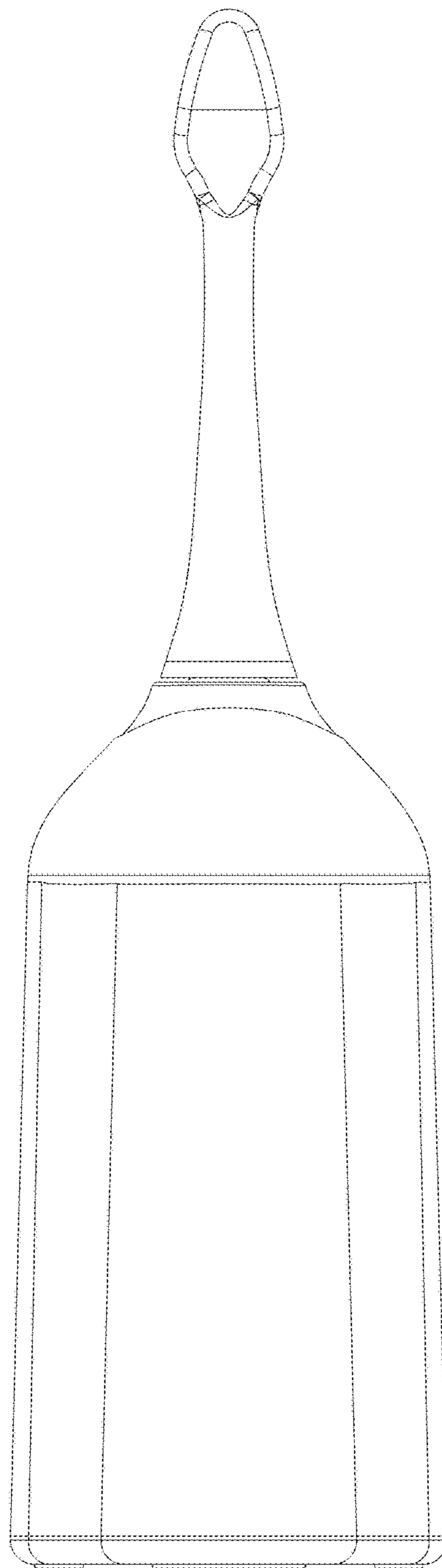


FIG. 2

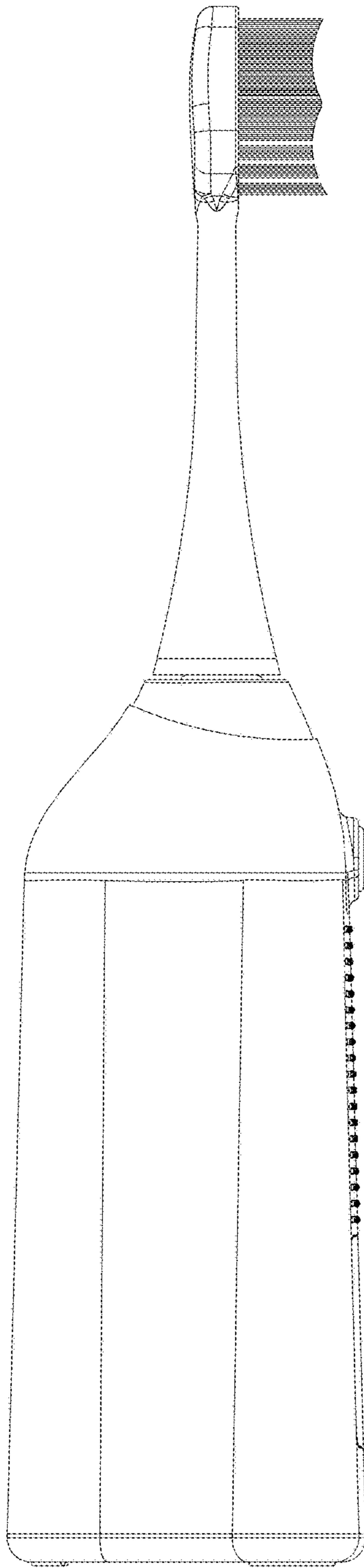


FIG. 3

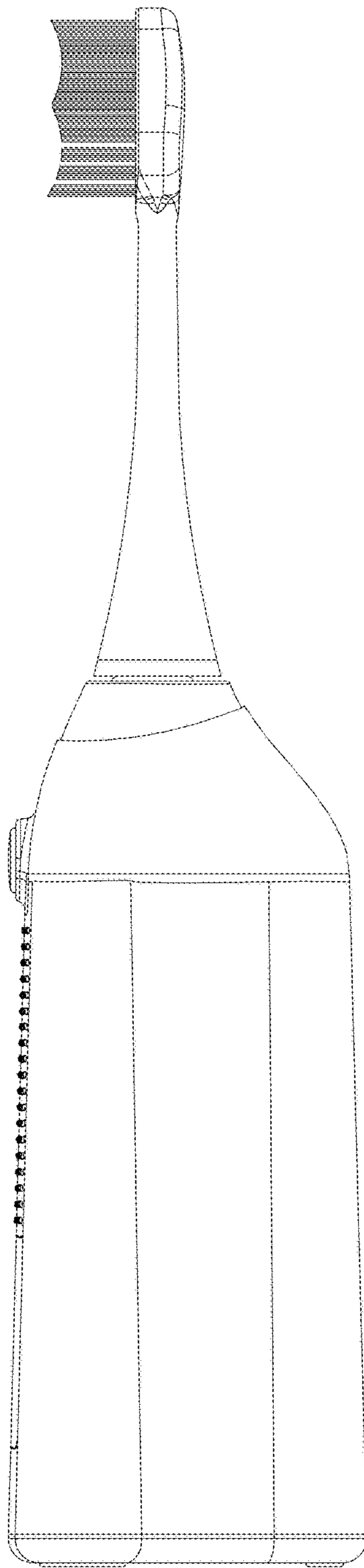


FIG. 4

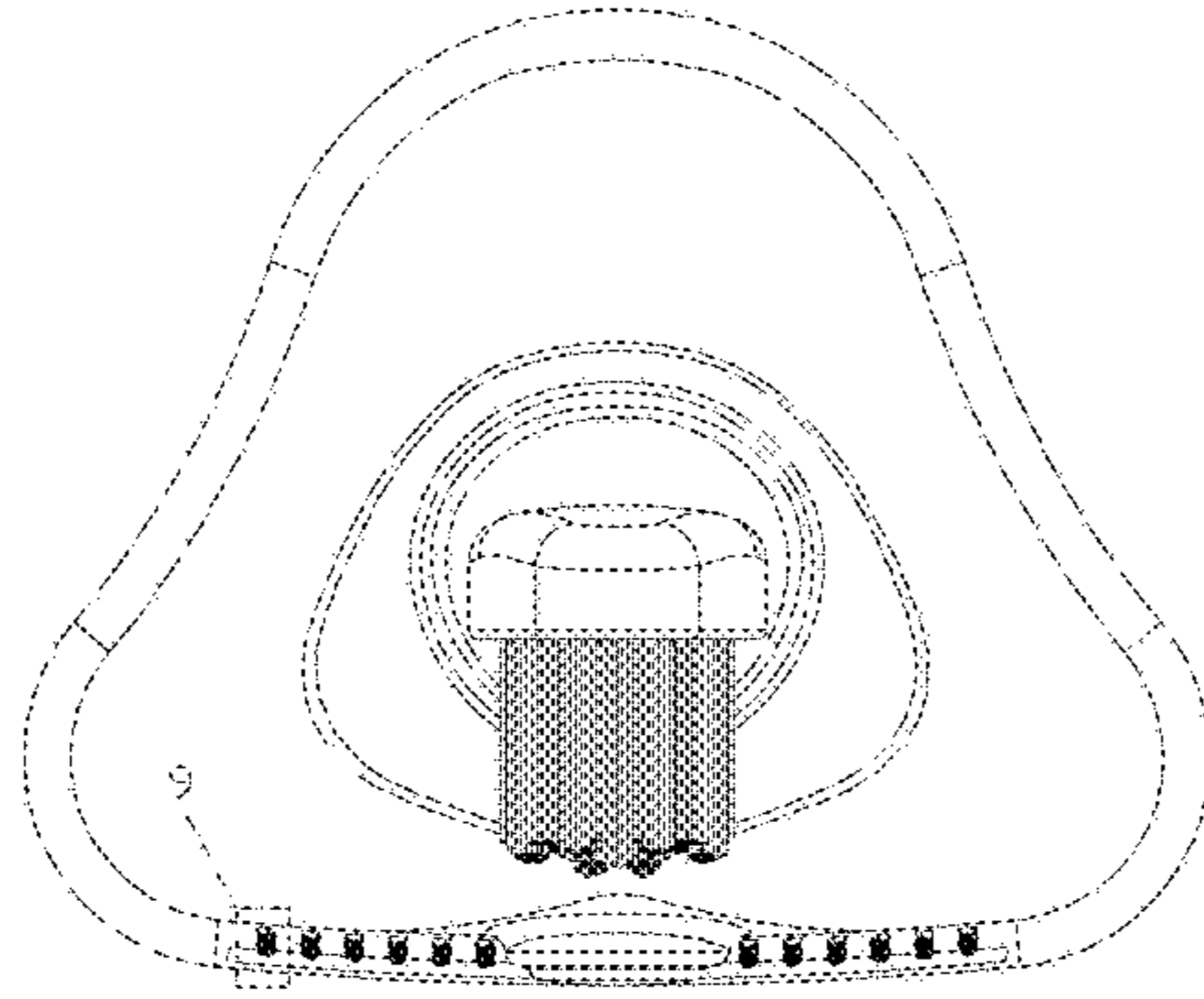


FIG. 5

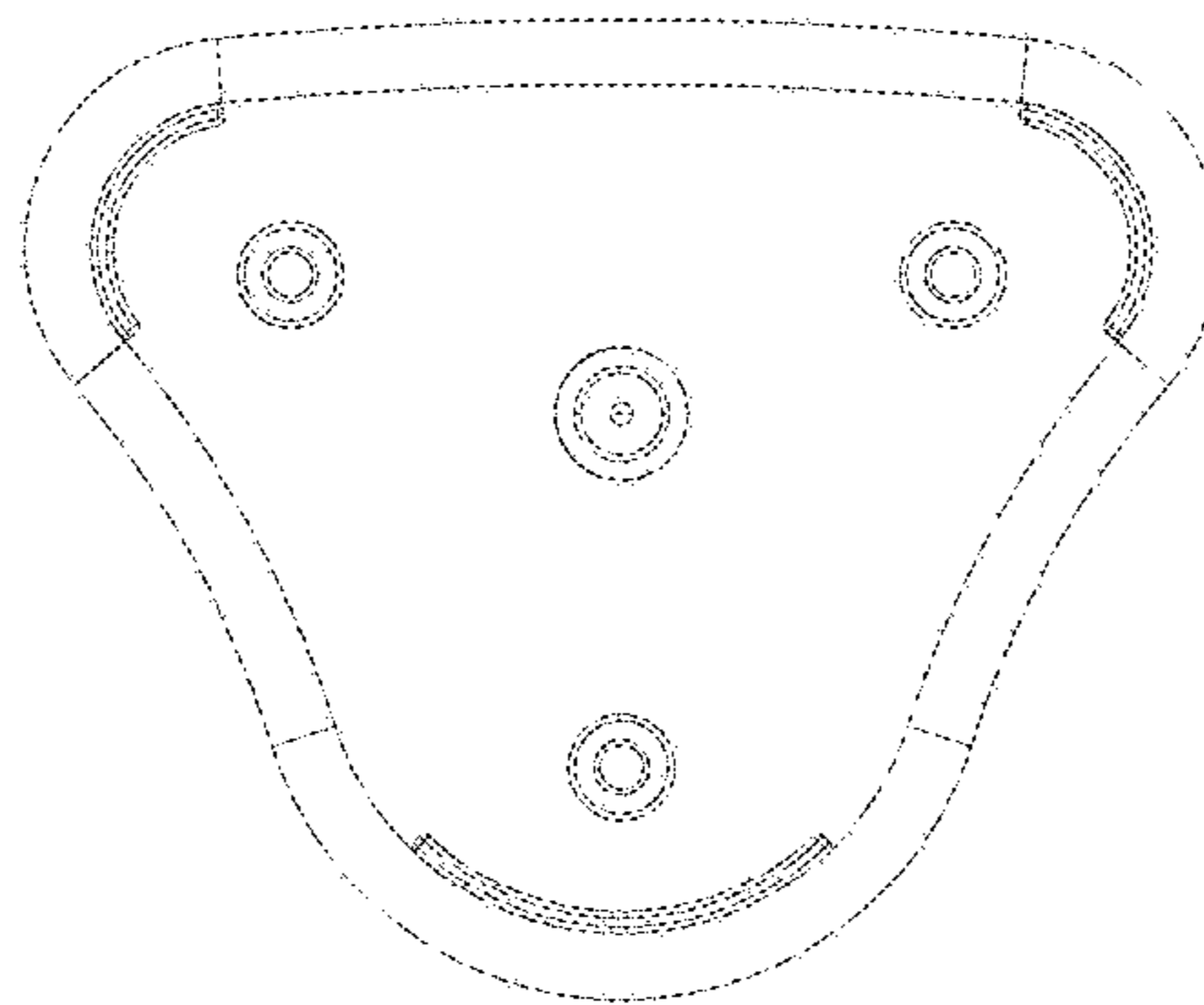


FIG. 6

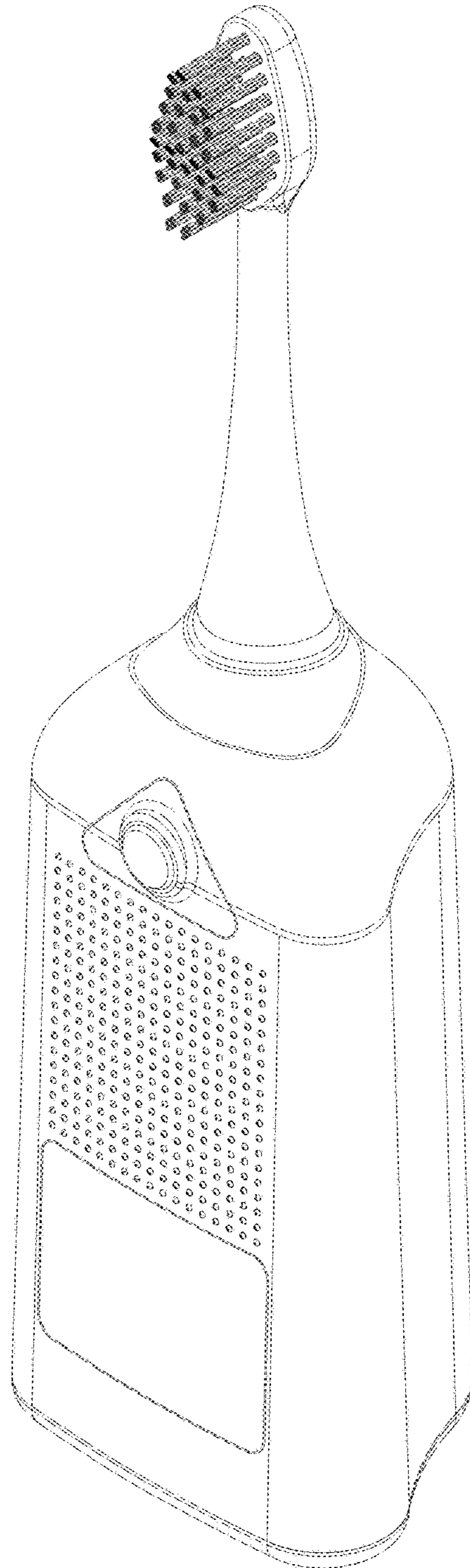


FIG. 7

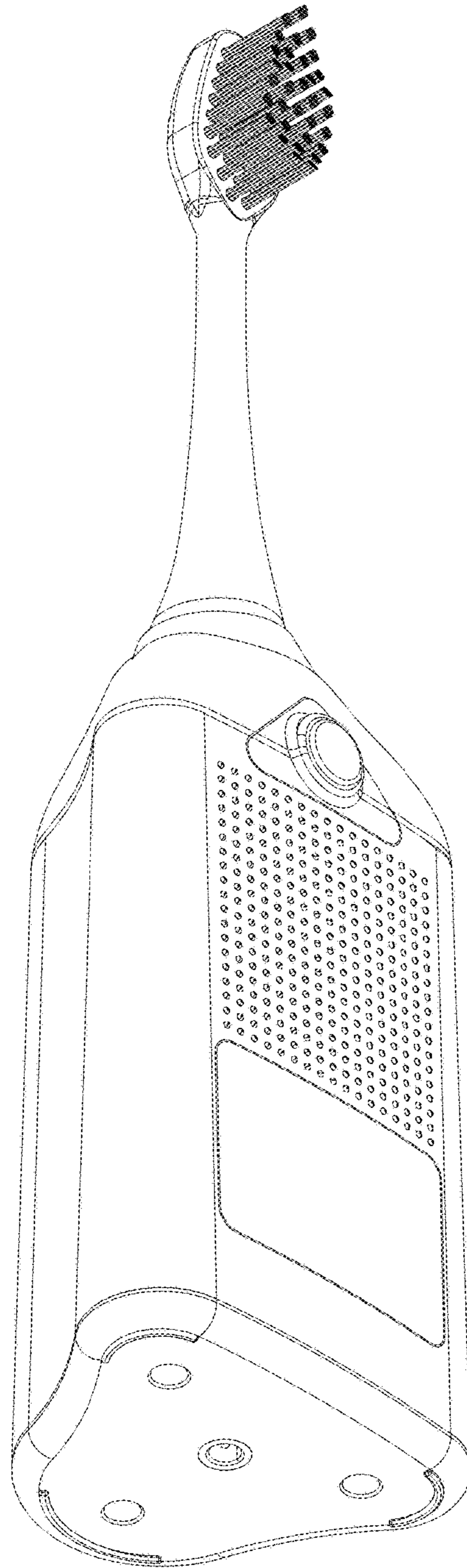


FIG. 8

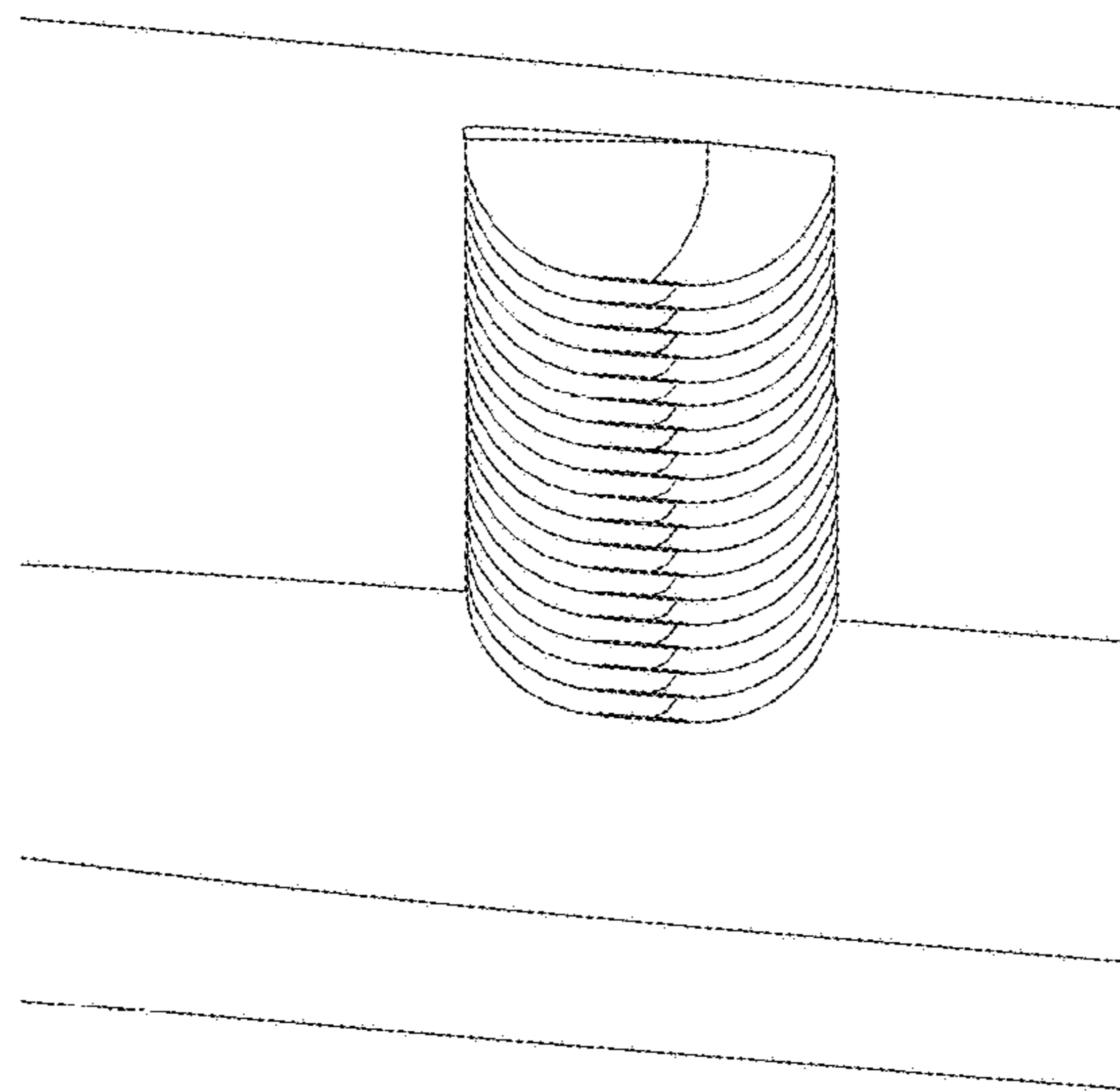


FIG. 9