



US00D846880S

(12) **United States Design Patent**
Shuai et al.

(10) **Patent No.:** **US D846,880 S**

(45) **Date of Patent:** **** Apr. 30, 2019**

(54) **CONTAINER WITH MODULAR INSERTS**

(56) **References Cited**

(71) Applicant: **IdeaStream Consumer Products, LLC**, Cleveland, OH (US)

U.S. PATENT DOCUMENTS

(72) Inventors: **Yanhong Shuai**, Shenzhen (CN); **Rong Zeng**, Shenzhen (CN); **Daniel Perella**, Hudson, OH (US); **Benjamin Hietanen**, Mentor, OH (US)

D583,152 S	*	12/2008	Keeney	D3/301
D701,047 S	*	3/2014	Sanchez	D3/319
D702,944 S	*	4/2014	Sanchez	D3/319
D712,153 S	*	9/2014	Lee	D3/313
D785,335 S	*	5/2017	Halliday	D3/319

* cited by examiner

(73) Assignee: **IdeaStream Consumer Products, LLC**, Cleveland, OH (US)

Primary Examiner — Holly H Baynham

(74) *Attorney, Agent, or Firm* — Fay Sharpe LLP

(**) Term: **15 Years**

(57) **CLAIM**

The ornamental design for a container with modular inserts, as shown and described.

(21) Appl. No.: **29/631,988**

DESCRIPTION

(22) Filed: **Jan. 4, 2018**

(51) **LOC (11) Cl.** **03-01**

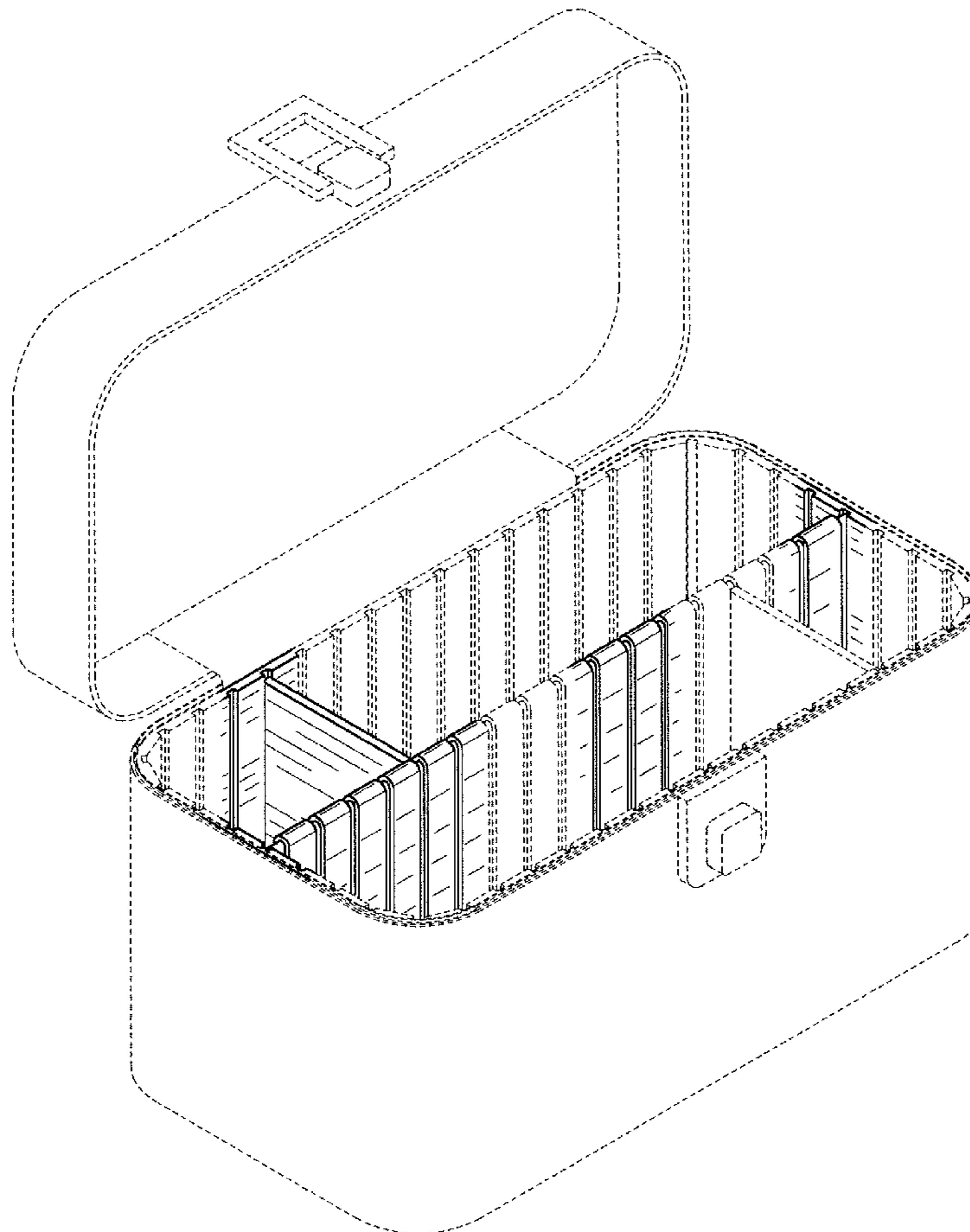
(52) **U.S. Cl.**
USPC **D3/319; D3/318**

(58) **Field of Classification Search**
USPC D3/318-319
CPC A45C 13/08; A45C 13/26; A45C 13/28;
A45C 3/00; A45C 5/00; A45C 7/00
See application file for complete search history.

FIG. 1 is a top, perspective view of a container with modular inserts of the present application inside of a container; and, FIG. 2 is a top plan view of the container with modular inserts of FIG. 1.

The dashed lines form no part of the claimed container with modular inserts design, and are included only for the purpose of illustrating the full design.

1 Claim, 2 Drawing Sheets



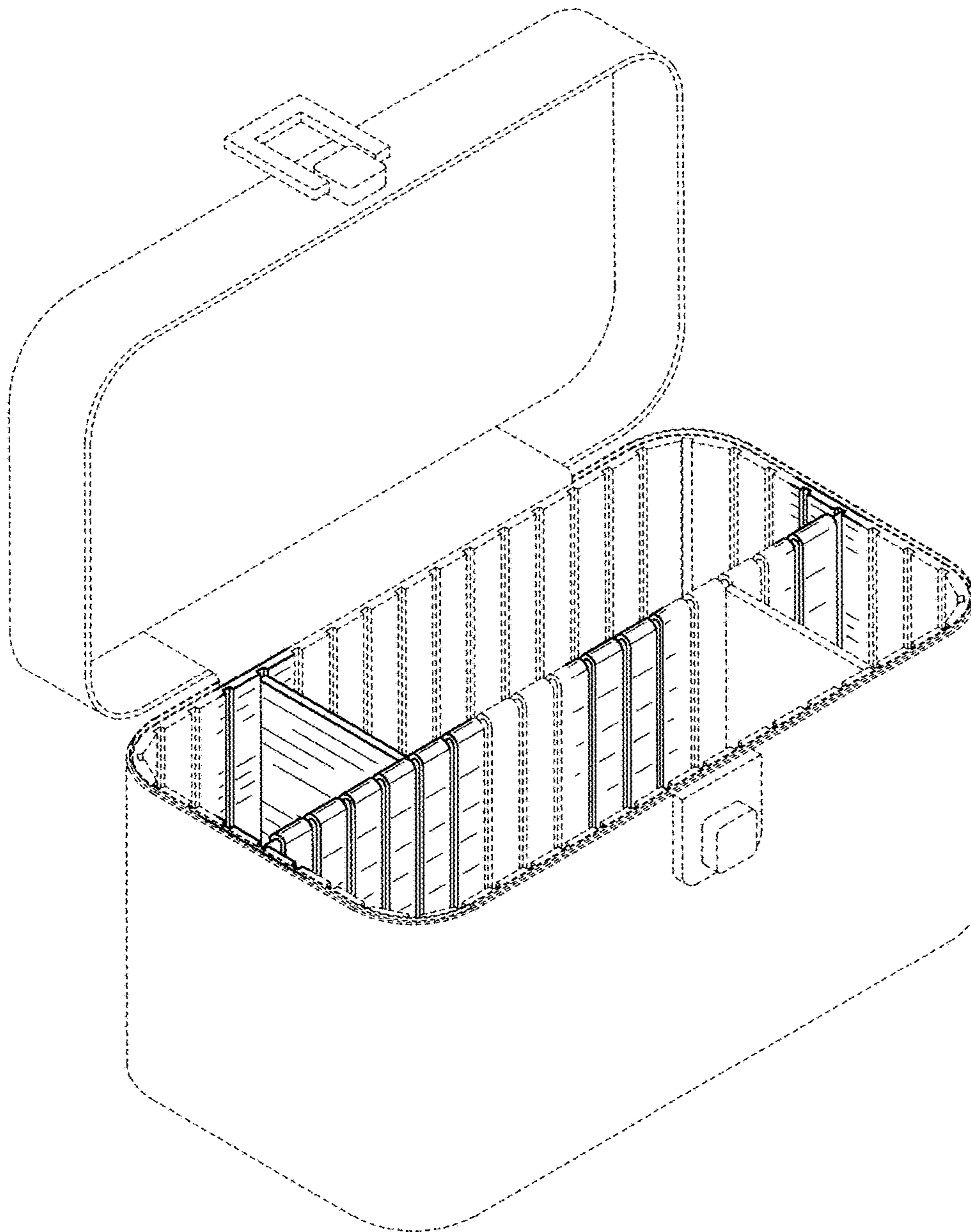


Fig. 1

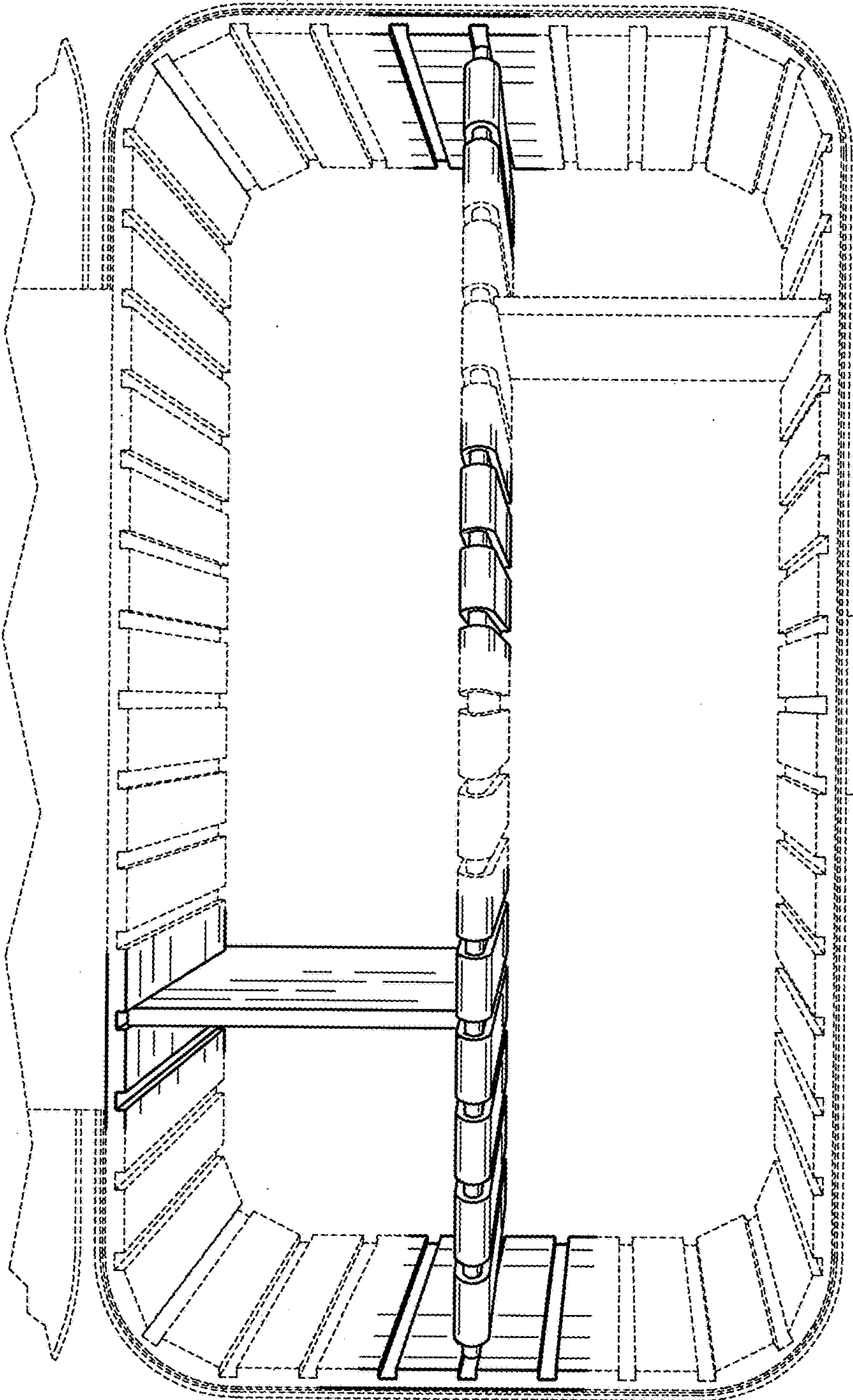


Fig. 2