



US00D846877S

(12) **United States Design Patent** (10) **Patent No.:** **US D846,877 S**
Webster (45) **Date of Patent:** **** Apr. 30, 2019**

(54) **HANDBAG WITH A BUTTERFLY**
(71) Applicant: **Sophia Webster Limited**, London (GB)
(72) Inventor: **Sophia Webster**, London (GB)
(**) Term: **15 Years**

D573,345 S * 7/2008 Yuson D3/322
D583,557 S * 12/2008 Siegel D3/234
D586,984 S * 2/2009 Schwartz D2/899
D661,459 S * 6/2012 Butler D2/608
D680,330 S * 4/2013 Peterka D3/308
D723,207 S * 2/2015 Wegrzyn D26/73
D812,339 S * 3/2018 Philips D99/21

* cited by examiner

(21) Appl. No.: **29/607,673**
(22) Filed: **Jun. 15, 2017**

Primary Examiner — Holly H Baynham
(74) *Attorney, Agent, or Firm* — Arent Fox LLP

(30) **Foreign Application Priority Data**
Dec. 15, 2016 (EM) 003520105-0001
(51) **LOC (11) Cl.** **03-01**
(52) **U.S. Cl.**
USPC **D3/318**
(58) **Field of Classification Search**
USPC D3/232–234, 238, 240–243, 245–246,
D3/318
CPC A45C 1/024; A45C 3/06; A45C 13/10;
A45F 3/04; A45F 3/00
See application file for complete search history.

(57) **CLAIM**
The ornamental design for a handbag with a butterfly, as shown and described.

(56) **References Cited**
U.S. PATENT DOCUMENTS
D244,767 S * 6/1977 Ditto D11/137
D302,535 S * 8/1989 Ernest D11/162

DESCRIPTION
FIG. 1 is a perspective front view of a handbag showing my new design;
FIG. 2 is a front view of the handbag shown in FIG. 1;
FIG. 3 is a rear view of the handbag shown in FIG. 1;
FIG. 4 is a left side view of the handbag shown in FIG. 1;
and,
FIG. 5 is a top view of the handbag shown in FIG. 1.
The broken lines showing a handbag and interior panels of the butterfly are for the purposes of illustrating environment and form no part of the claimed design.

1 Claim, 5 Drawing Sheets

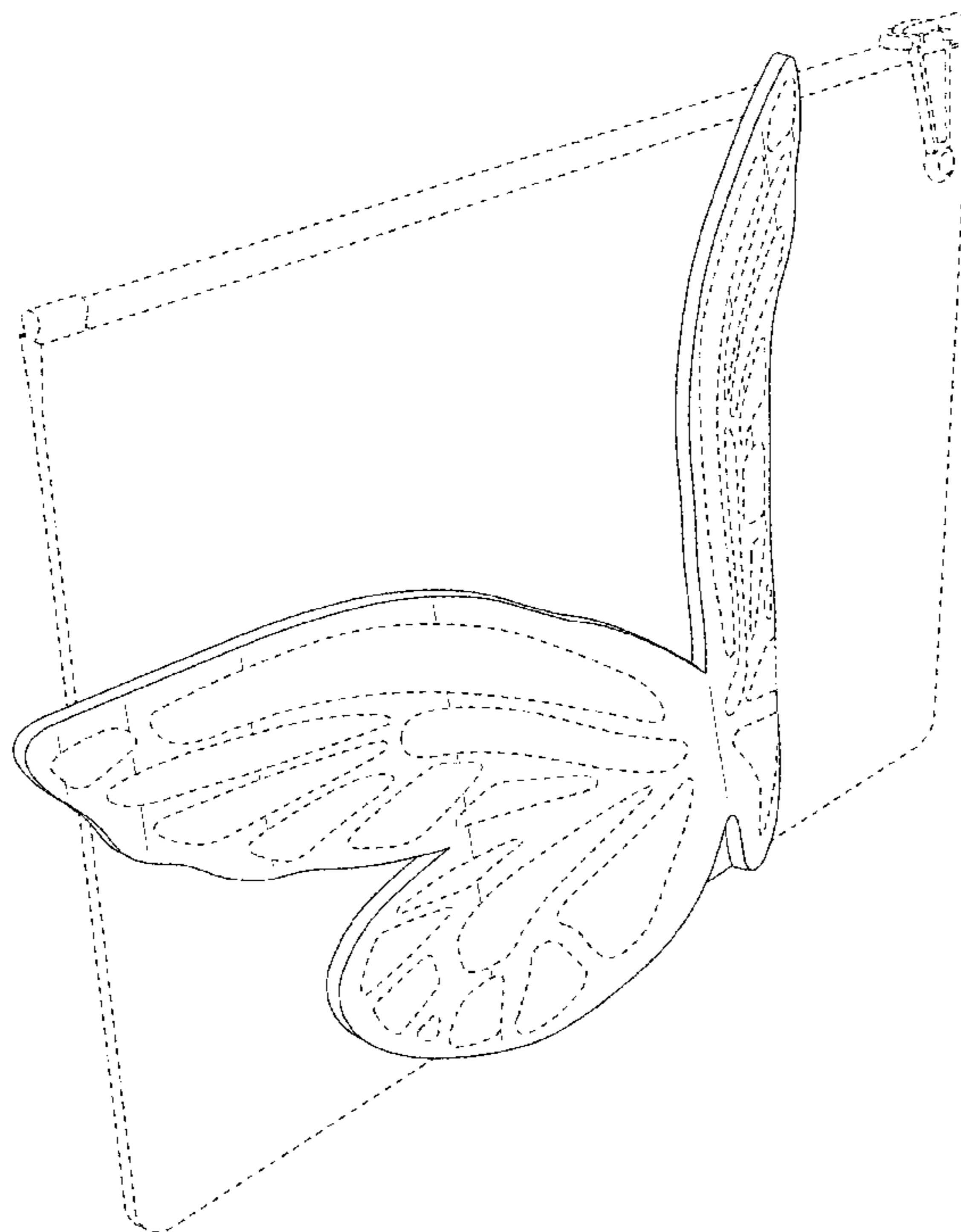


FIG. 1

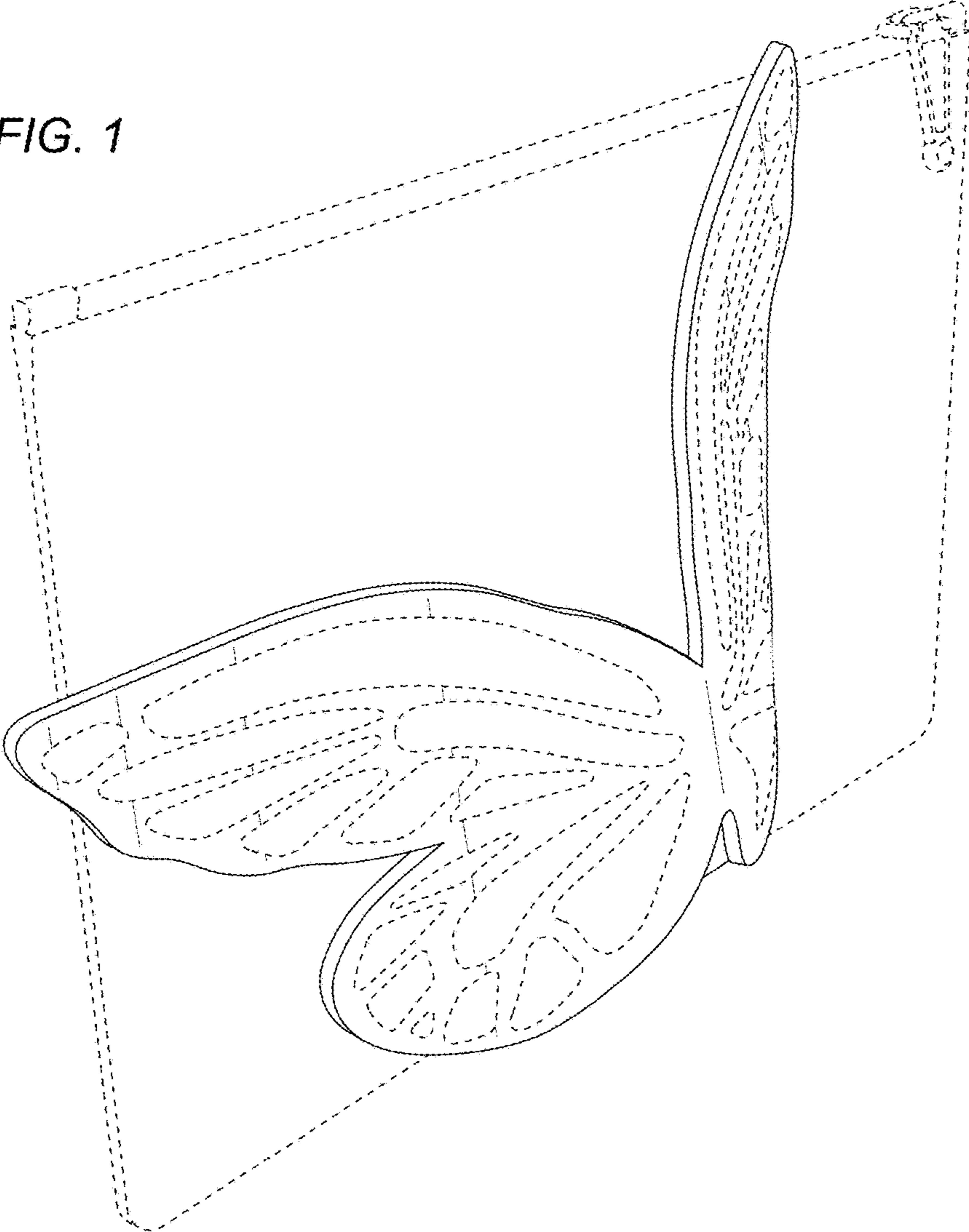


FIG. 2

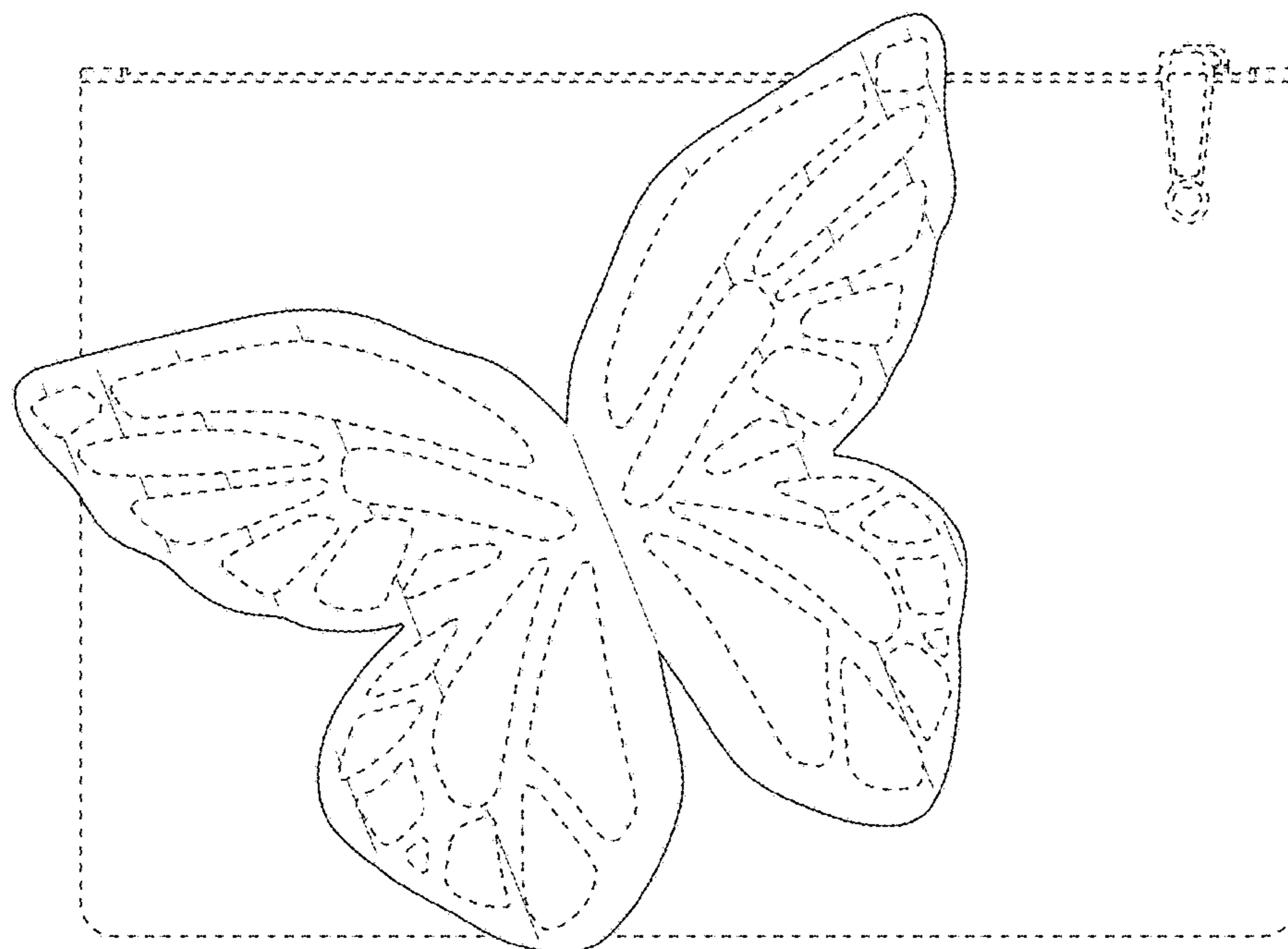


FIG. 3

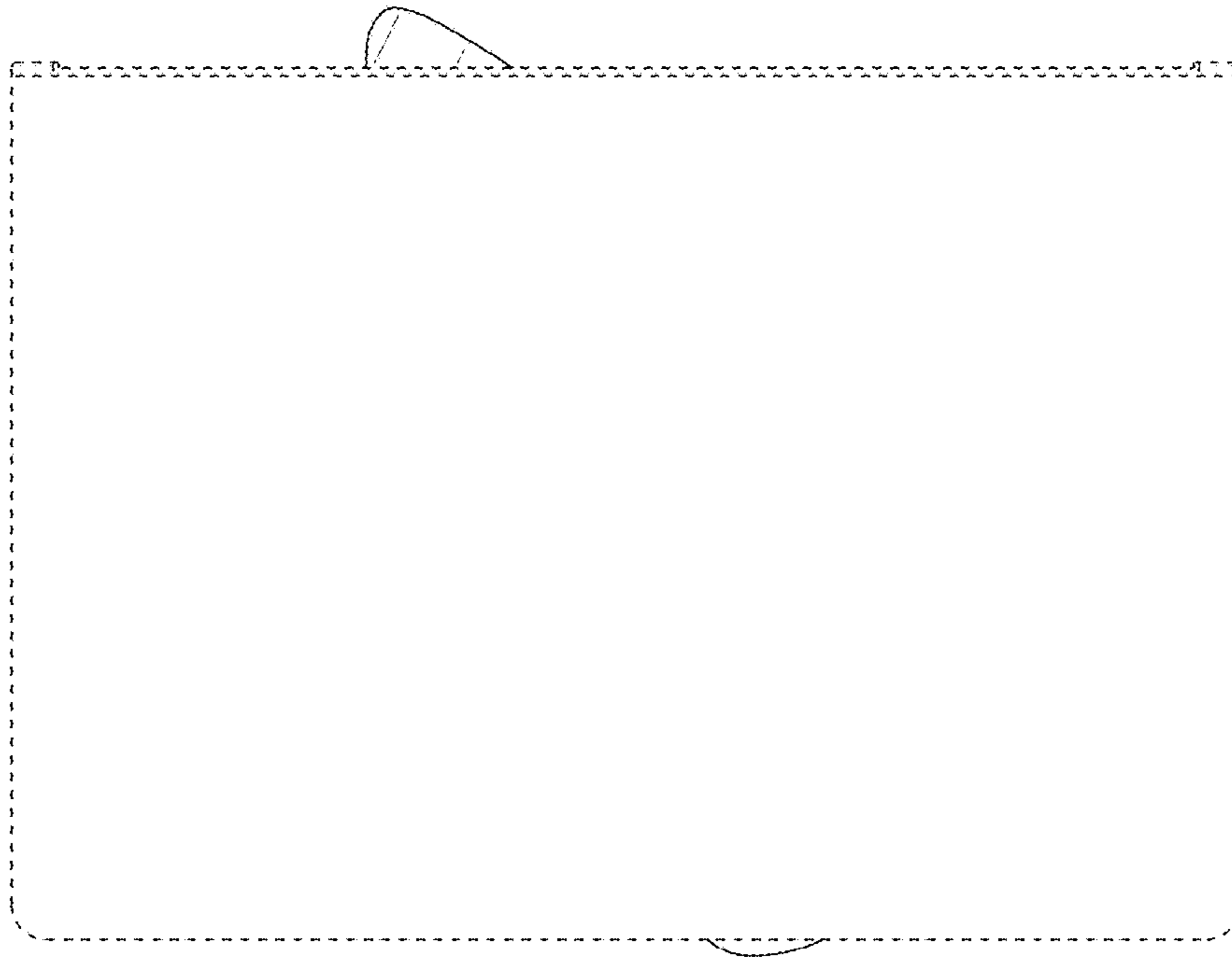


FIG. 4

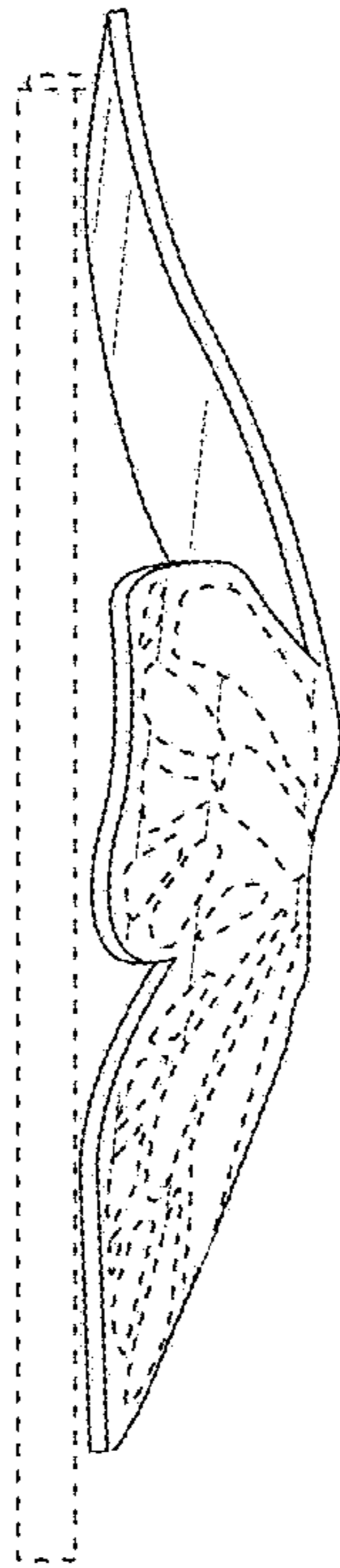


FIG. 5

