



US00D846876S

(12) **United States Design Patent**  
**Heitz**

(10) **Patent No.:** **US D846,876 S**  
(45) **Date of Patent:** **\*\* Apr. 30, 2019**

(54) **SUPPORTING PLATE FOR TOOLS FOR REMOVING TICKS**

D386,002 S \* 11/1997 Hinkle ..... D3/203.6  
D577,191 S \* 9/2008 Moldovan ..... D3/203.6  
D785,943 S \* 5/2017 Dutil ..... D3/205

(71) Applicant: **H3D**, Lavancia-Epercy (FR)

(72) Inventor: **Denis Heitz**, Lavancia-Epercy (FR)

(73) Assignee: **H3D**, Lavancia Epercy (FR)

(\*\*) Term: **15 Years**

(21) Appl. No.: **29/633,925**

(22) Filed: **Jan. 17, 2018**

(30) **Foreign Application Priority Data**

Jul. 18, 2017 (EM) ..... 001460745-0001

(51) **LOC (11) Cl.** ..... **03-01**

(52) **U.S. Cl.**  
USPC ..... **D3/299; D3/203.6**

(58) **Field of Classification Search**  
USPC ..... D3/201, 203.6, 205, 299; D30/158, 159,  
D30/199; 294/99.2; 119/600; 206/207,  
206/214, 739, 750

CPC ..... A45C 3/00; A45C 11/36; A45C 13/02  
See application file for complete search history.

(56) **References Cited**

**U.S. PATENT DOCUMENTS**

D201,486 S \* 6/1965 Stolarz ..... D3/205  
D384,203 S \* 9/1997 Jacobson ..... D3/299

**OTHER PUBLICATIONS**

TickPro Kit Remover 3 Piece with Case. Tick Removal Tool/  
Tweezers for Pets (Cat, Dogs, Horses) and Humans Durable Double  
Coated Stainless Steel. Premium Quality—Dec. 2018 earliest review  
shown.\*

\* cited by examiner

*Primary Examiner* — Catherine R Oliver-Garcia

(74) *Attorney, Agent, or Firm* — Ladas & Parry LLP

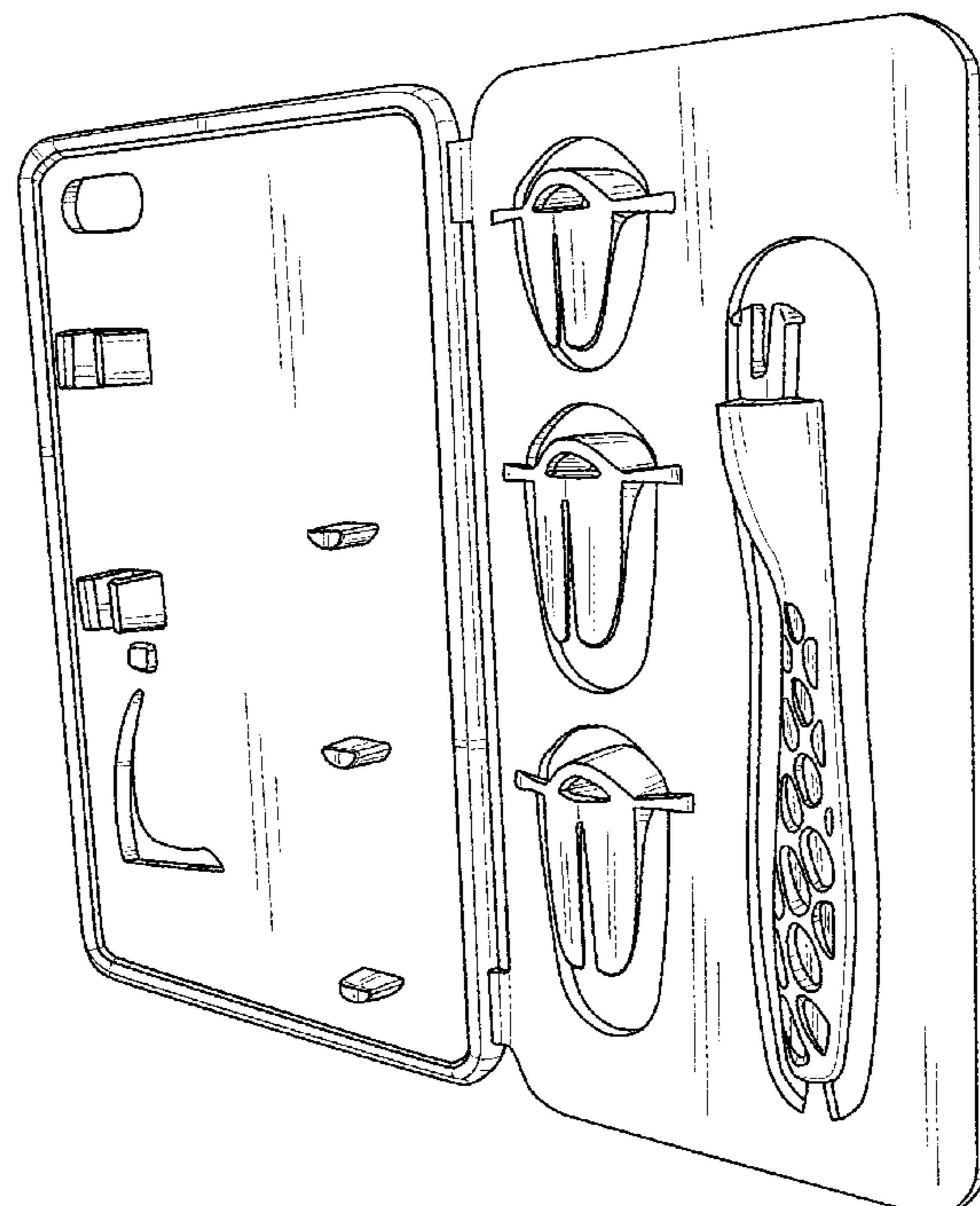
(57) **CLAIM**

The ornamental design for a supporting plate for tools for removing ticks, as shown and described.

**DESCRIPTION**

FIG. 1 is a first perspective view of the supporting plate for tools for removing ticks showing our new design;  
FIG. 2 is a front elevational view thereof;  
FIG. 3 is a rear elevational view thereof;  
FIG. 4 is a left side elevational view thereof;  
FIG. 5 is a right side elevational view thereof;  
FIG. 6 is a top plan view thereof; and,  
FIG. 7 is a bottom plan view thereof.

**1 Claim, 6 Drawing Sheets**



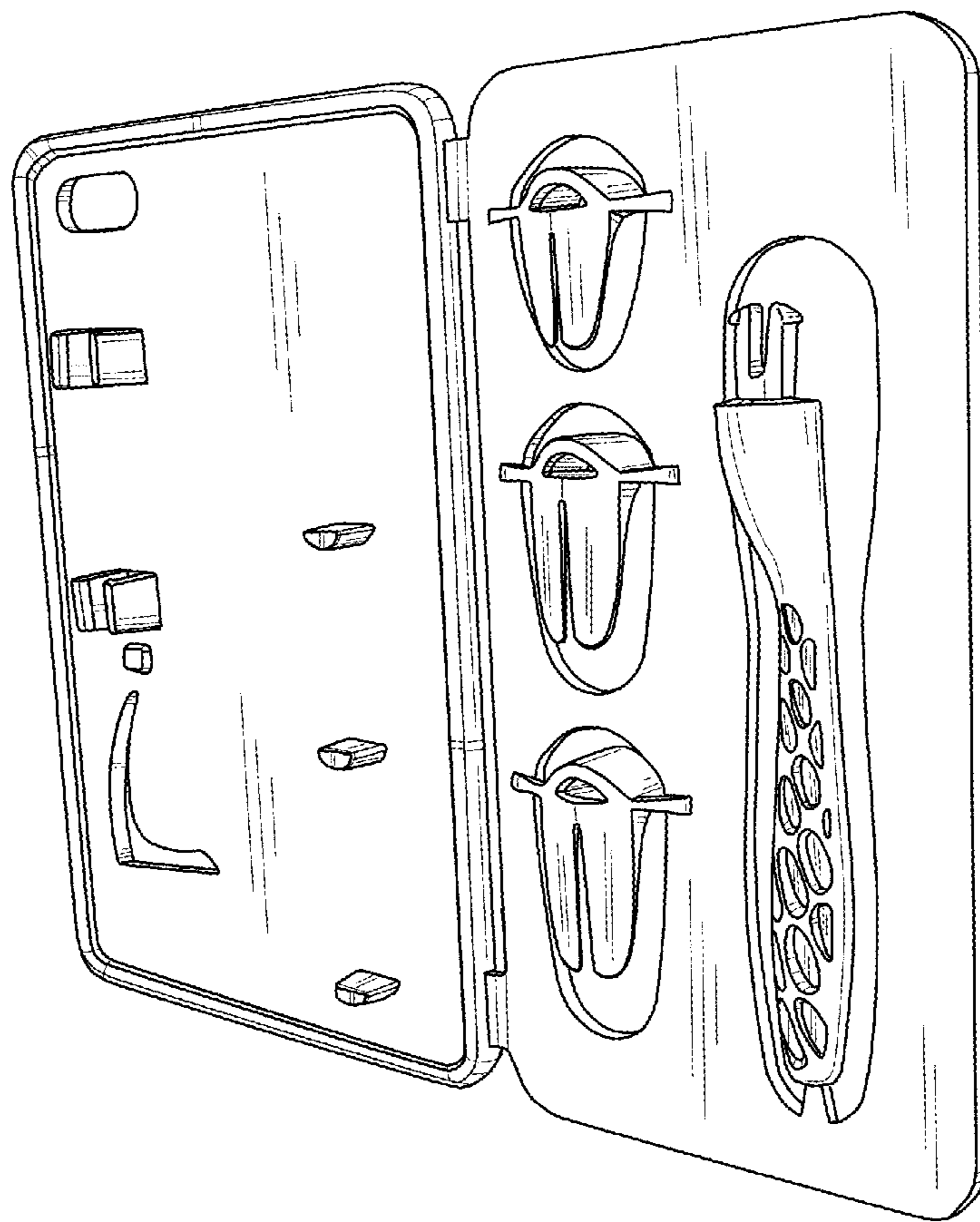


FIG. 1

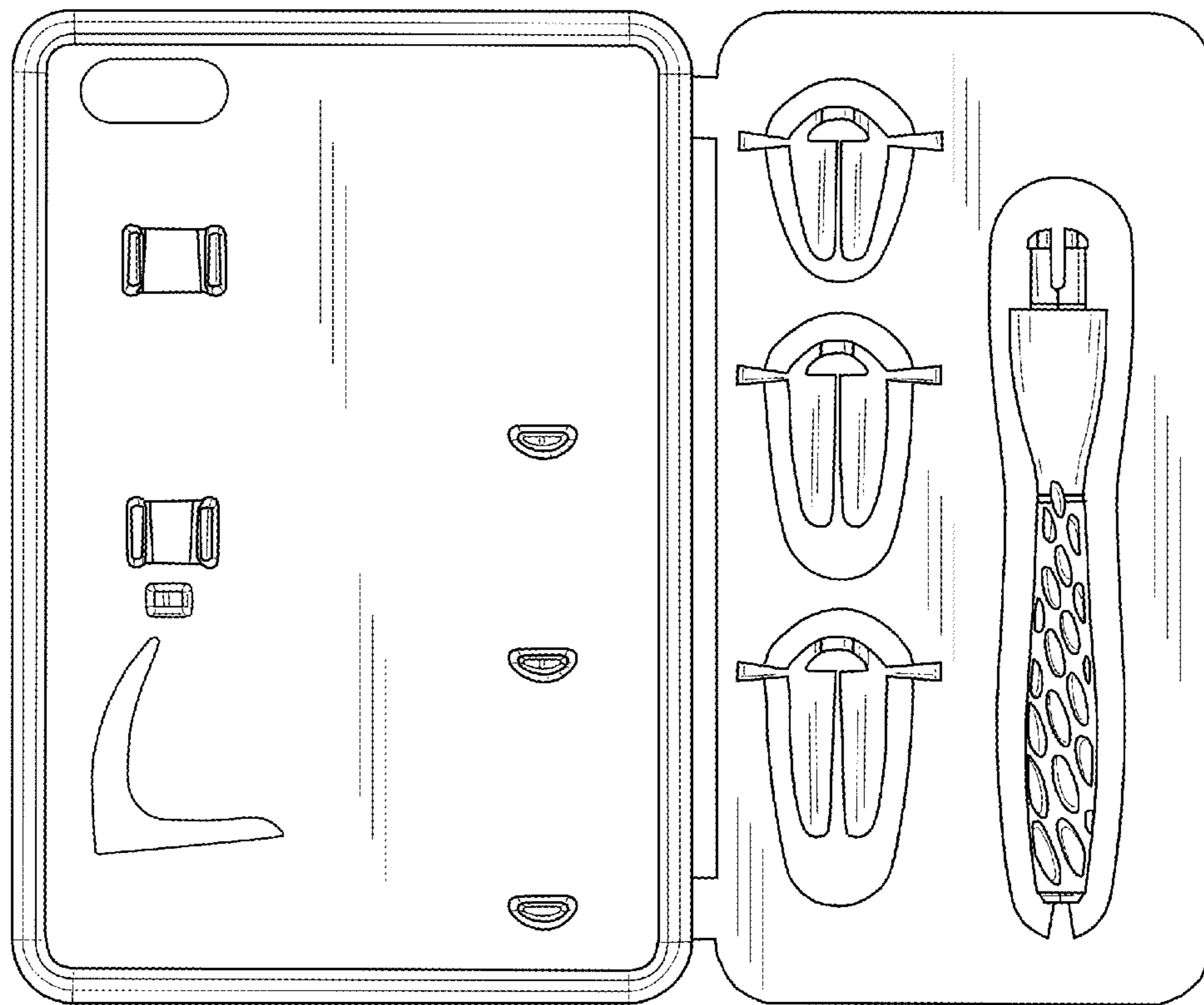


FIG. 2

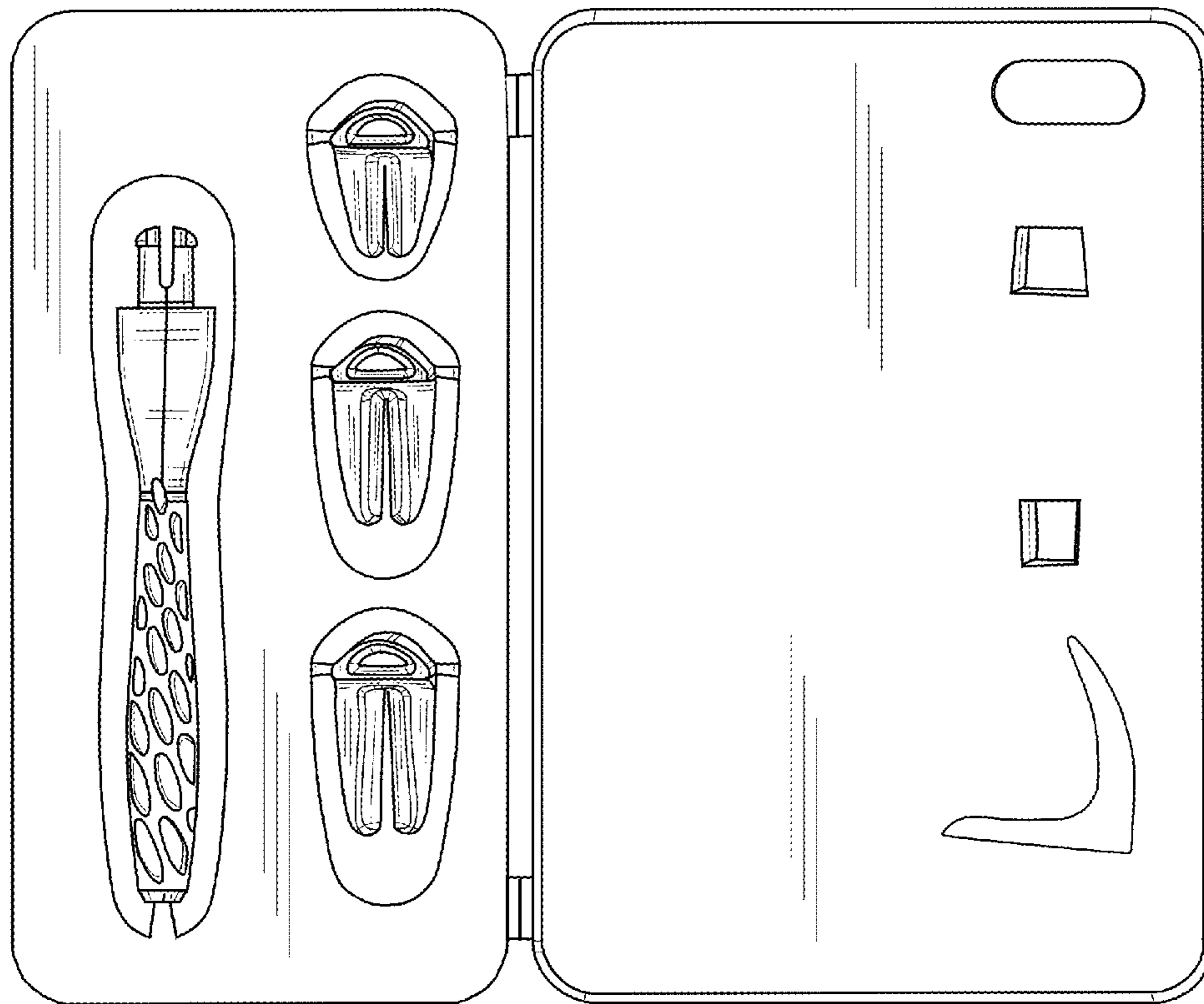


FIG. 3

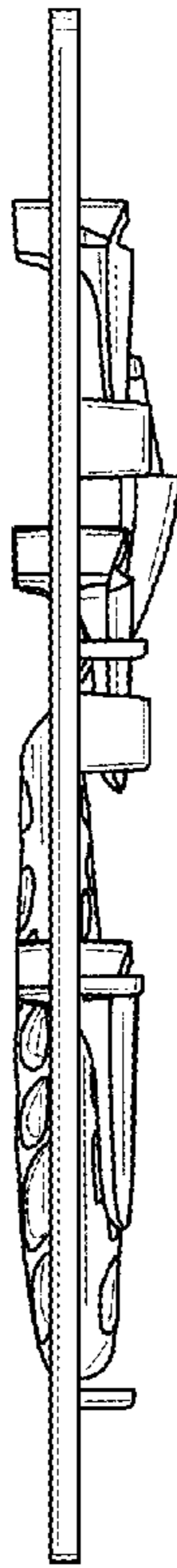


FIG. 4



FIG. 5

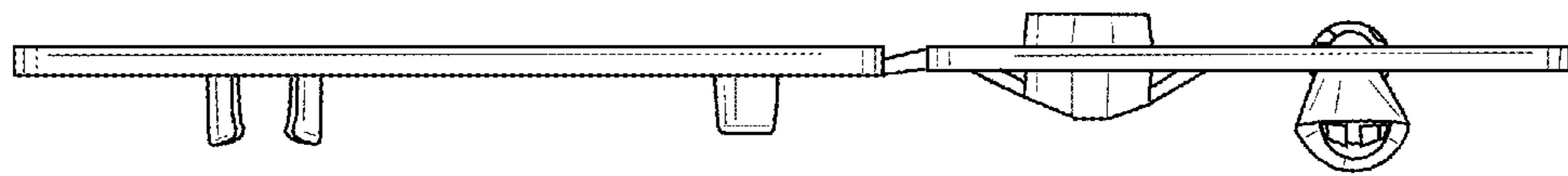


FIG. 6

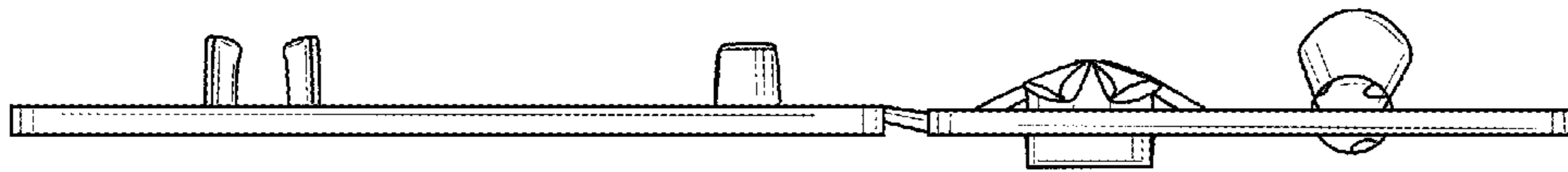


FIG. 7