



US00D846875S

(12) **United States Design Patent**
Nelson

(10) **Patent No.:** **US D846,875 S**
(45) **Date of Patent:** **** Apr. 30, 2019**

(54) **STORAGE TOTE**
(71) Applicant: **Home Depot Product Authority, LLC**,
Atlanta, GA (US)
(72) Inventor: **Michael Nelson**, Peachtree City, GA
(US)
(73) Assignee: **Home Depot Product Authority, LLC**,
Atlanta, GA (US)
(**) Term: **15 Years**
(21) Appl. No.: **29/631,427**

Primary Examiner — Jennifer Rivard
Assistant Examiner — April Rivas
(74) *Attorney, Agent, or Firm* — Greenberg Traurig, LLP

(22) Filed: **Dec. 29, 2017**
(51) **LOC (11) Cl.** **03-01**
(52) **U.S. Cl.**
USPC **D3/282; D3/302; D3/905**
(58) **Field of Classification Search**
USPC D3/201, 203.6, 205, 203.1, 232, 259,
D3/260, 273, 272, 276, 279, 282, 284,
D3/302, 294, 900, 905, 904; D9/414,
D9/418, 430, 432, 433, 425
CPC B25H 3/00; B25H 3/02; A45C 5/00; A45C
5/04; A45C 5/08; A45C 2011/007; A45C
11/00
See application file for complete search history.

(57) **CLAIM**

I claim the ornamental design for a storage tote, as shown and described.

DESCRIPTION

FIG. 1 is a front perspective view of a first embodiment of my design;
FIG. 2 is a front view thereof, the rear view being a mirror image thereof;
FIG. 3 is a left side view thereof, the right side being a mirror image thereof;
FIG. 4 is a top view thereof;
FIG. 5 is a bottom view thereof;
FIG. 6 is a rear perspective view thereof;
FIG. 7 is a front perspective view of a second embodiment of my design;
FIG. 8 is a front view thereof, the rear view being a mirror image thereof;
FIG. 9 is a left side view thereof, the right side being a mirror image thereof;
FIG. 10 is a top view thereof;
FIG. 11 is a bottom view thereof;
FIG. 12 is a rear perspective view thereof;
FIG. 13 is a front perspective view of a third embodiment of my design;
FIG. 14 is a front view thereof, the rear view being a mirror image thereof;
FIG. 15 is a left side view thereof, the right side being a mirror image thereof;
FIG. 16 is a top view thereof;
FIG. 17 is a bottom view thereof; and,
FIG. 18 is a rear perspective view thereof.

(56) **References Cited**

U.S. PATENT DOCUMENTS

D397,552 S * 9/1998 Rutledge D3/302
D432,787 S * 10/2000 Holahan D3/272
D580,170 S * 11/2008 Klotzman D3/272
D597,383 S * 8/2009 Masterton D3/272
D606,306 S * 12/2009 Monte D3/273
D648,535 S * 11/2011 Reinhart D3/302
D650,174 S * 12/2011 Ahlstrom D3/302

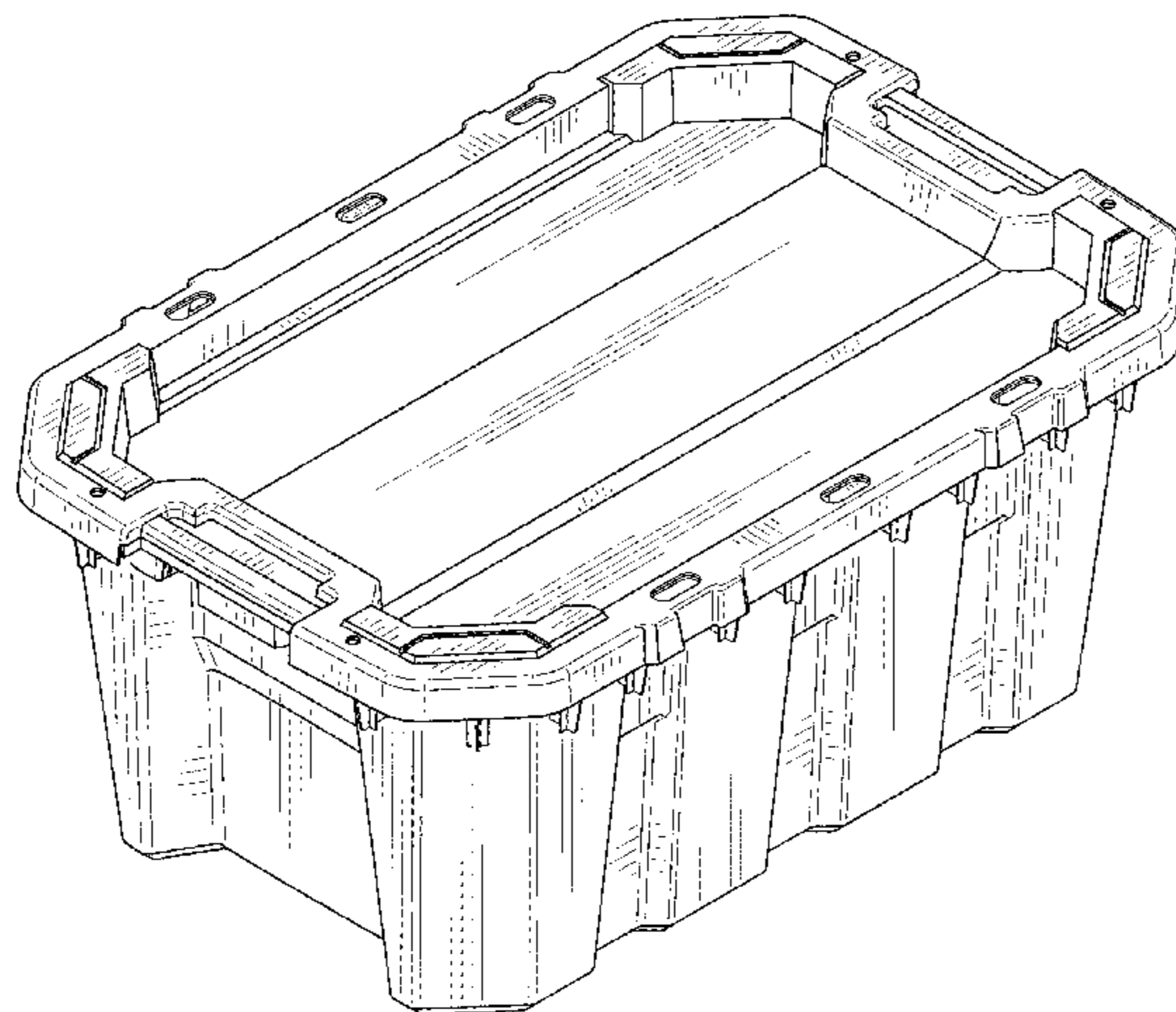
(Continued)

OTHER PUBLICATIONS

[https://www.walmart.com/ip/Rubbermaid-Roughneck-Storage-Tote/117698092?wmlspartner . . .](https://www.walmart.com/ip/Rubbermaid-Roughneck-Storage-Tote/117698092?wmlspartner...), Rubbermaid Roughneck Storage Tote, Dec. 8, 2017, 3 pgs.

(Continued)

1 Claim, 18 Drawing Sheets



(56)

References Cited

U.S. PATENT DOCUMENTS

D657,143 S	*	4/2012	Jowett	D3/272
D658,376 S	*	5/2012	Ahlstrom	D3/294
D719,731 S	*	12/2014	Burgess	D3/299
D738,623 S	*	9/2015	Wood	D3/302
D791,478 S	*	7/2017	Jowett	D3/294

OTHER PUBLICATIONS

<https://www.walmart.com/ip/Sterilite-50-Gal-189-L-Stacker-Tote-Black/43393267>, Sterilite, 50 Gal./189 L Stacker Tote, Black, Dec. 8, 2017, 11 pgs.

[https://www.homedepot.com/p/HDX-27-Gal-Storage-Tote-in-Black-5-Pack-HDX27GON . . .](https://www.homedepot.com/p/HDX-27-Gal-Storage-Tote-in-Black-5-Pack-HDX27GON...), HDX 27 Gal. Storage Tote in Black (5-Pack), Dec. 8, 2017, 3 pgs.

[https://www.target.com/p/sterilite-174-108-qt-industrial-utility-storage-tote-black-with-red . . .](https://www.target.com/p/sterilite-174-108-qt-industrial-utility-storage-tote-black-with-red...), Sterilite 108 Qt Industrial Utility Storage Tote—Black with Red Latch, Dec. 8, 2017, 4 pgs.

* cited by examiner

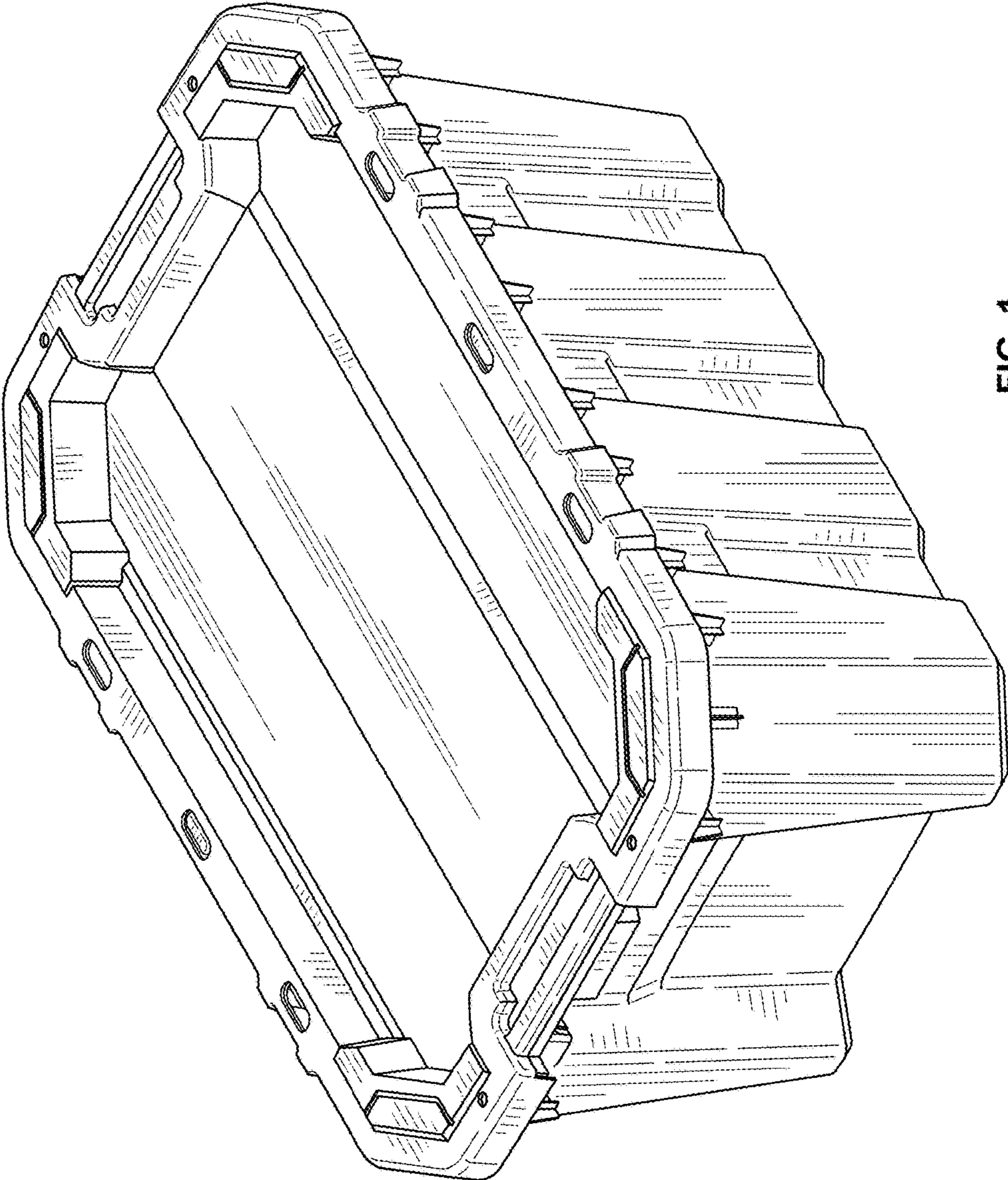


FIG. 1

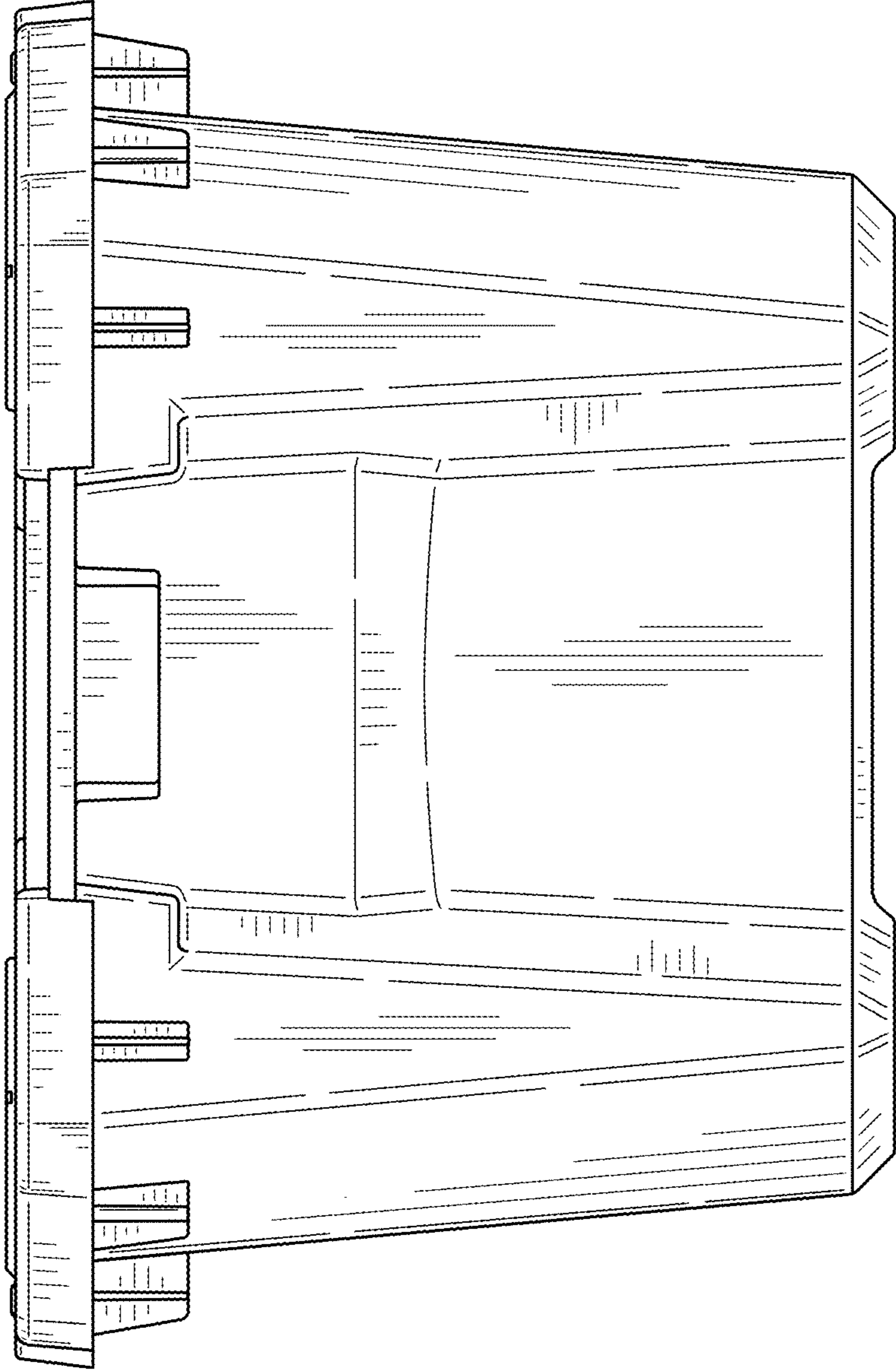


FIG. 2

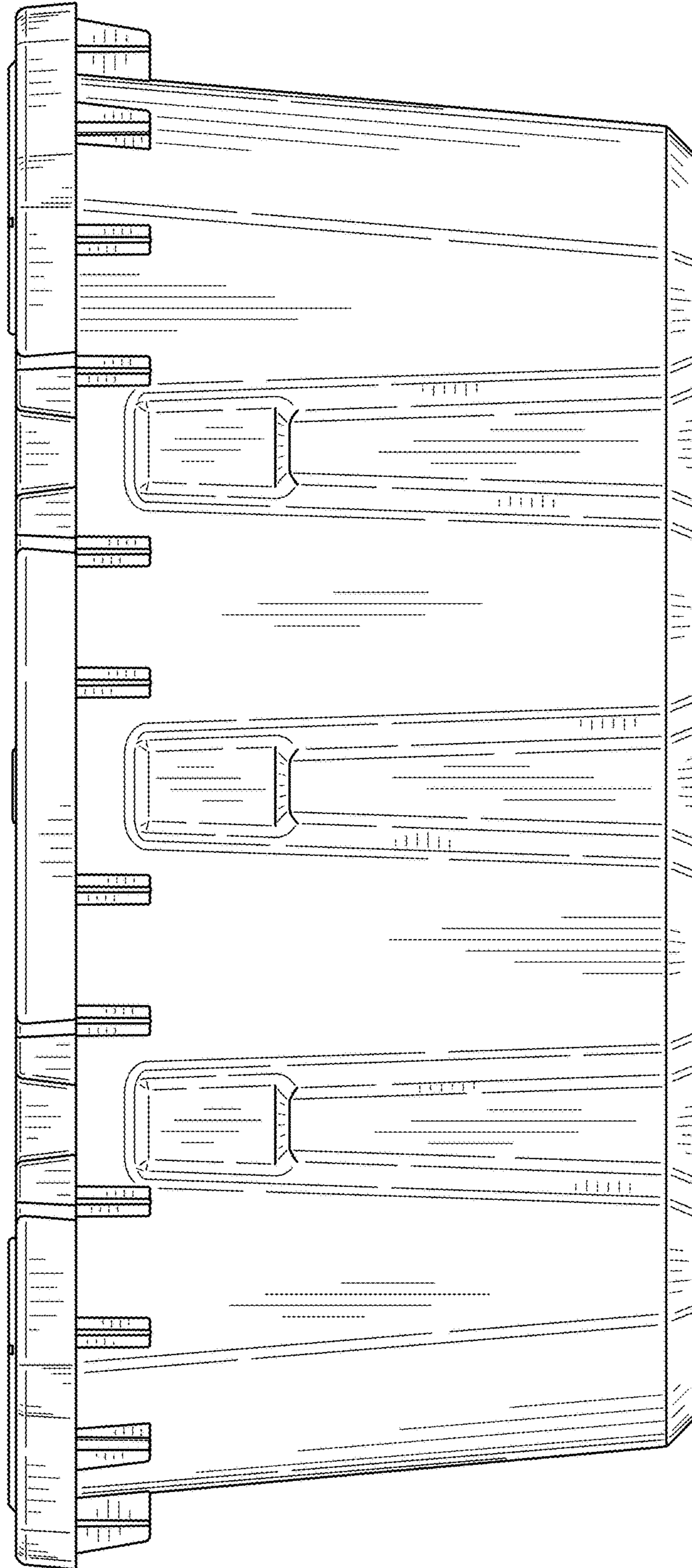


FIG. 3

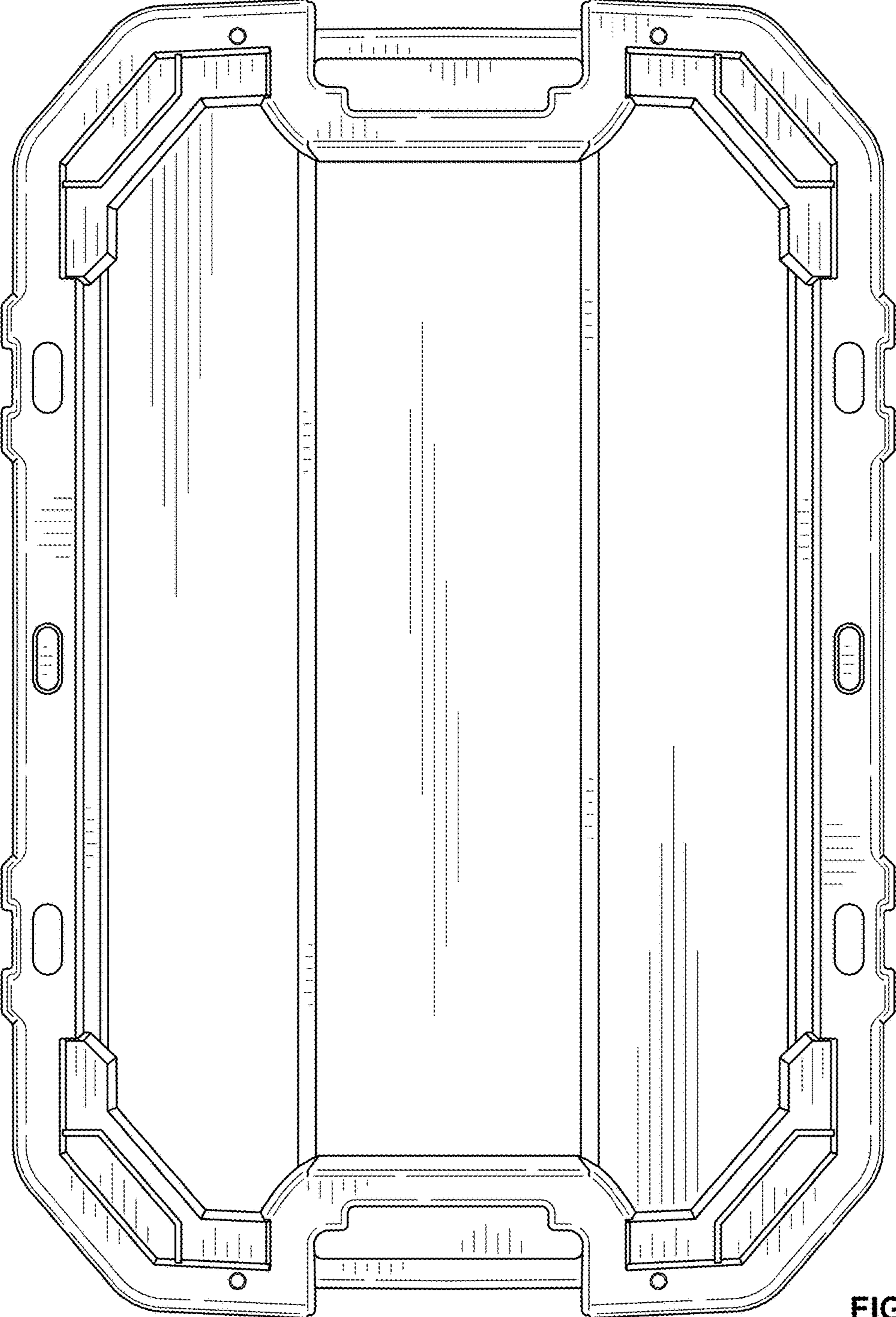


FIG. 4

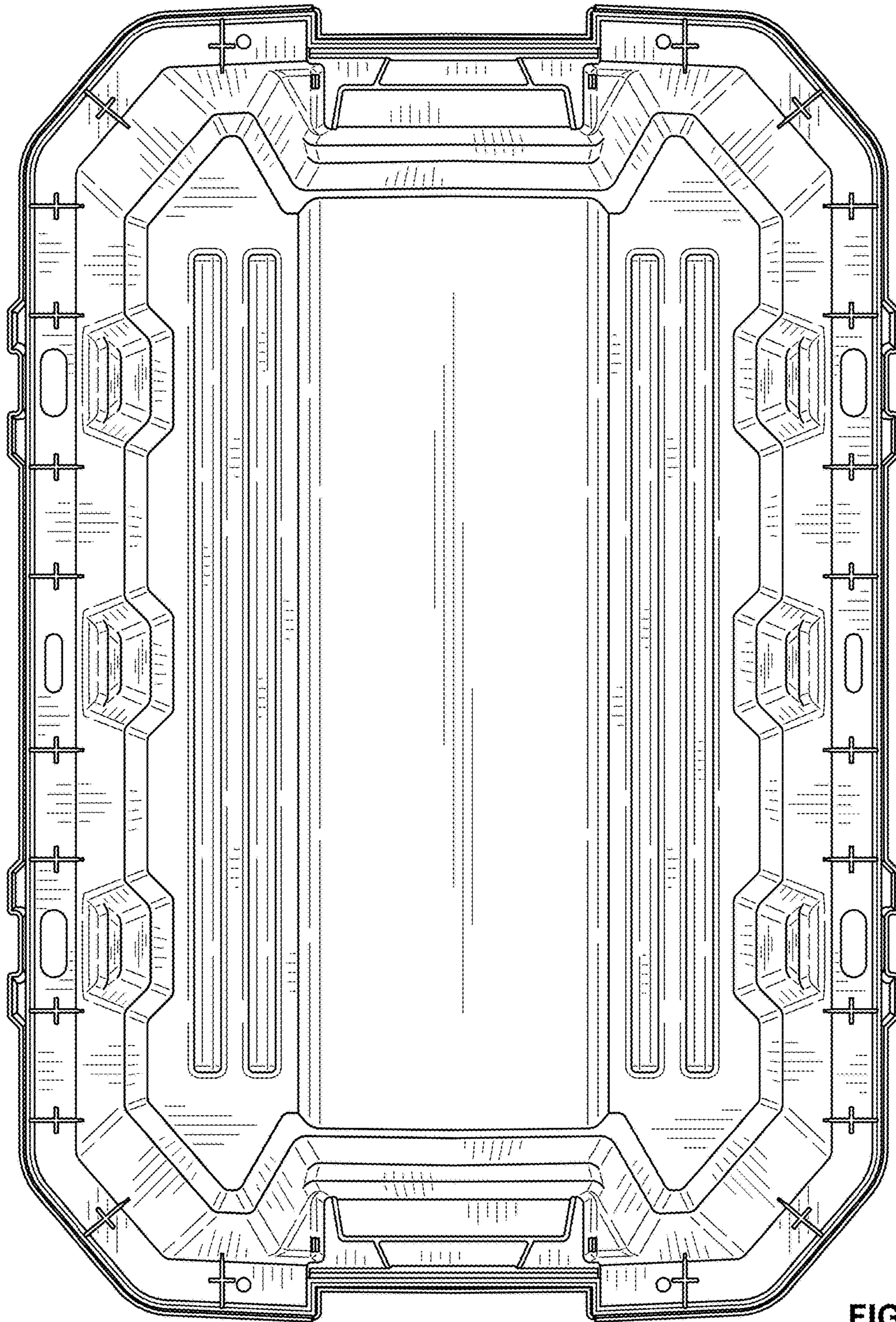


FIG. 5

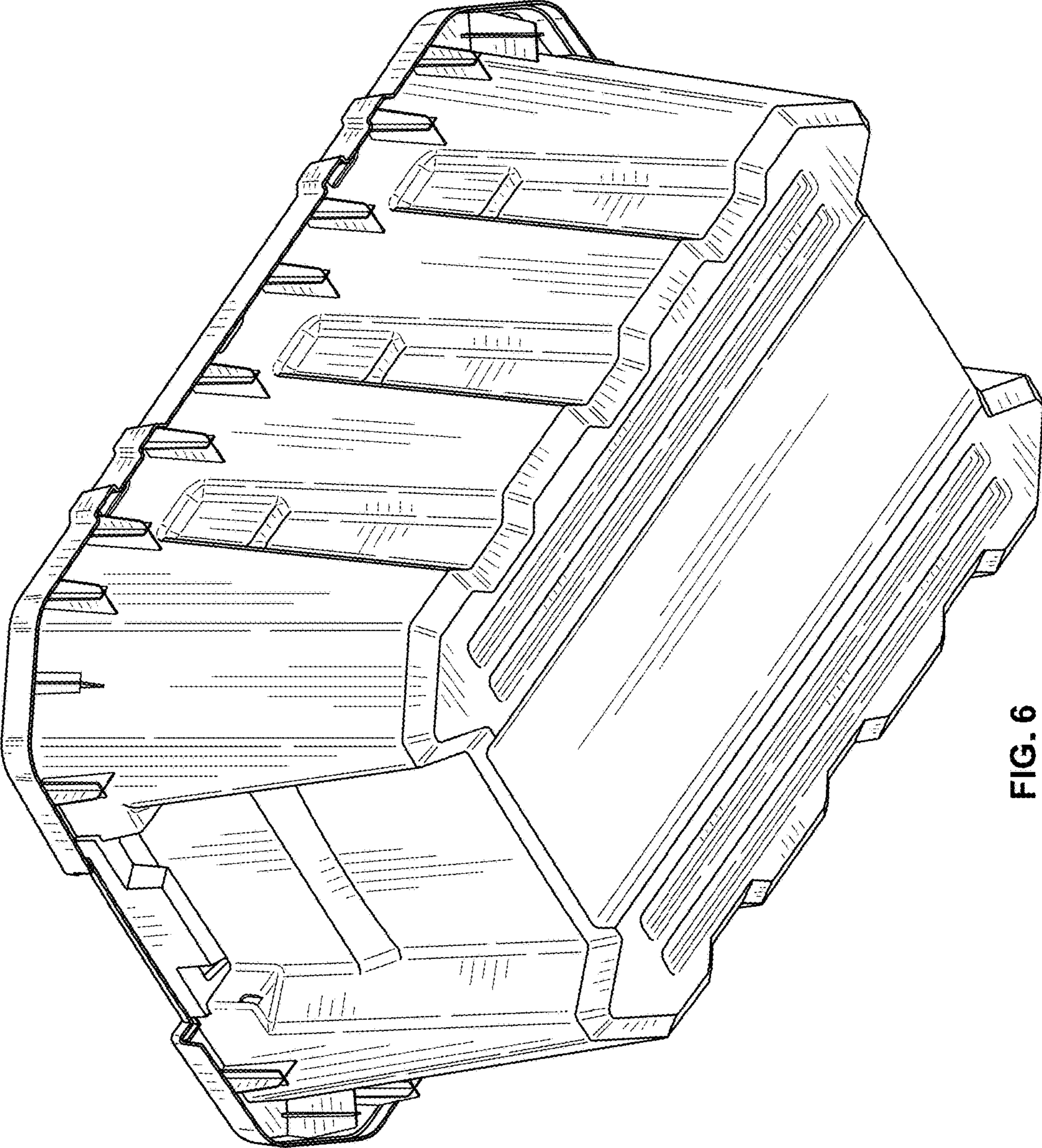


FIG. 6

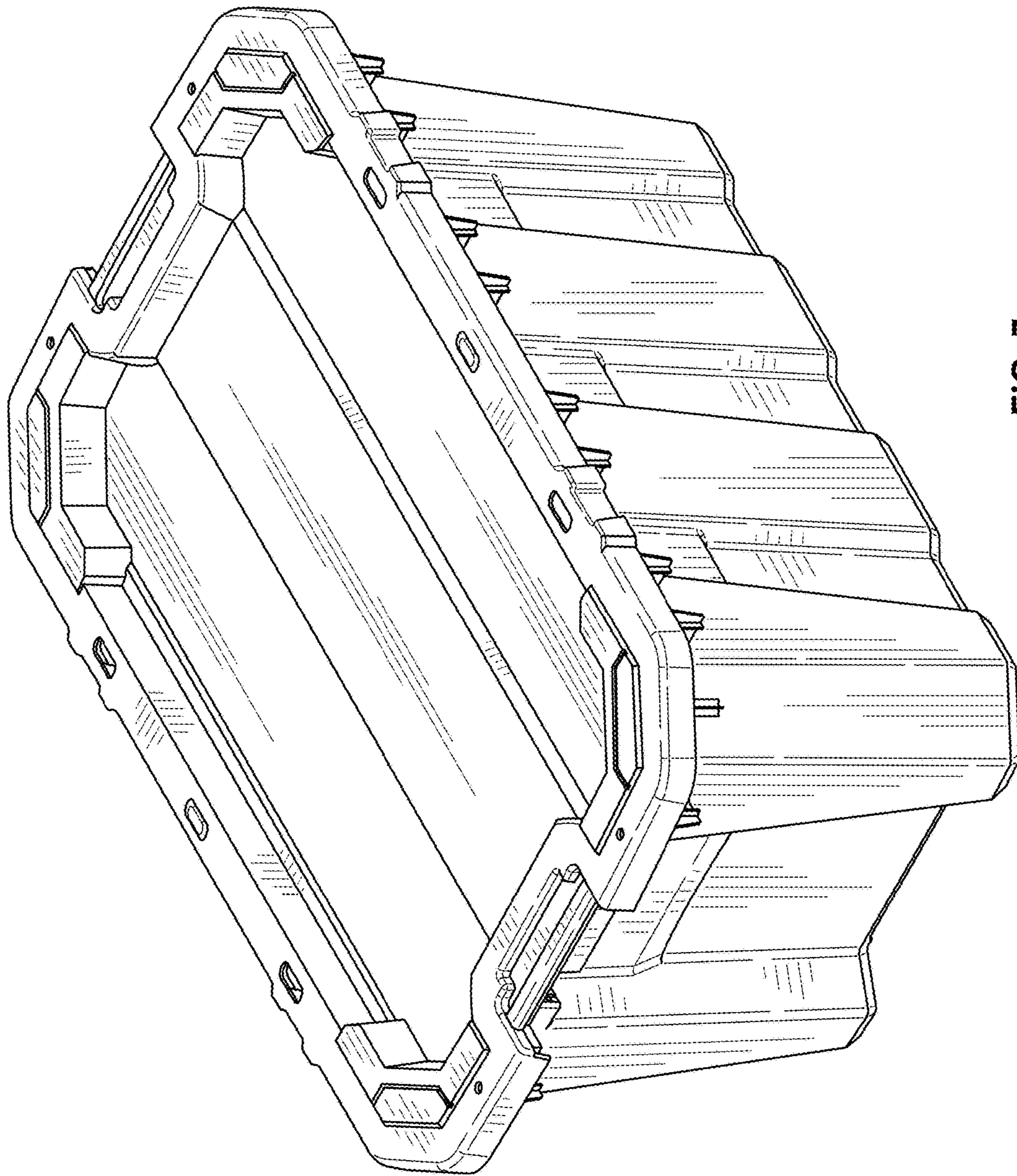


FIG. 7

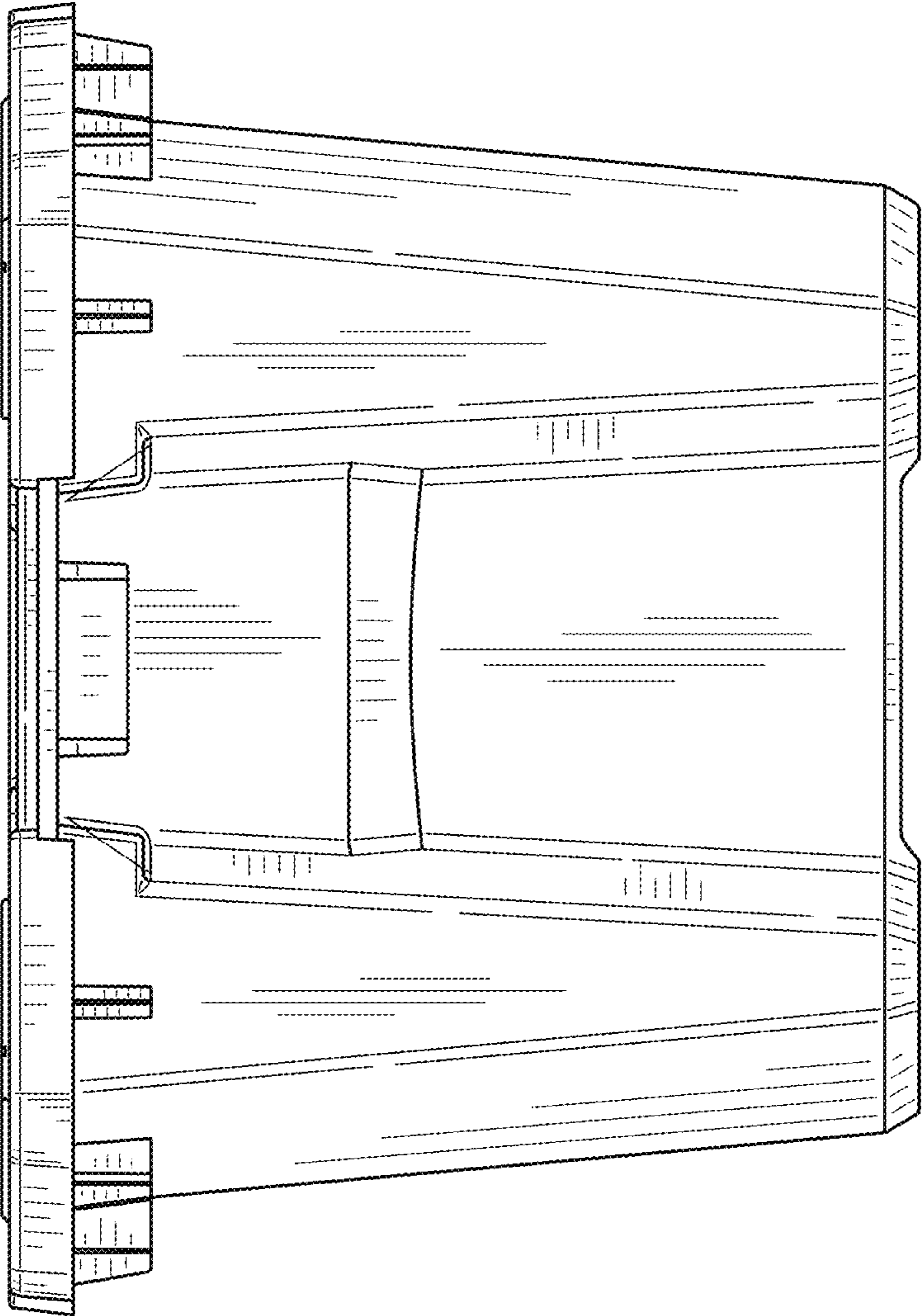


FIG. 8

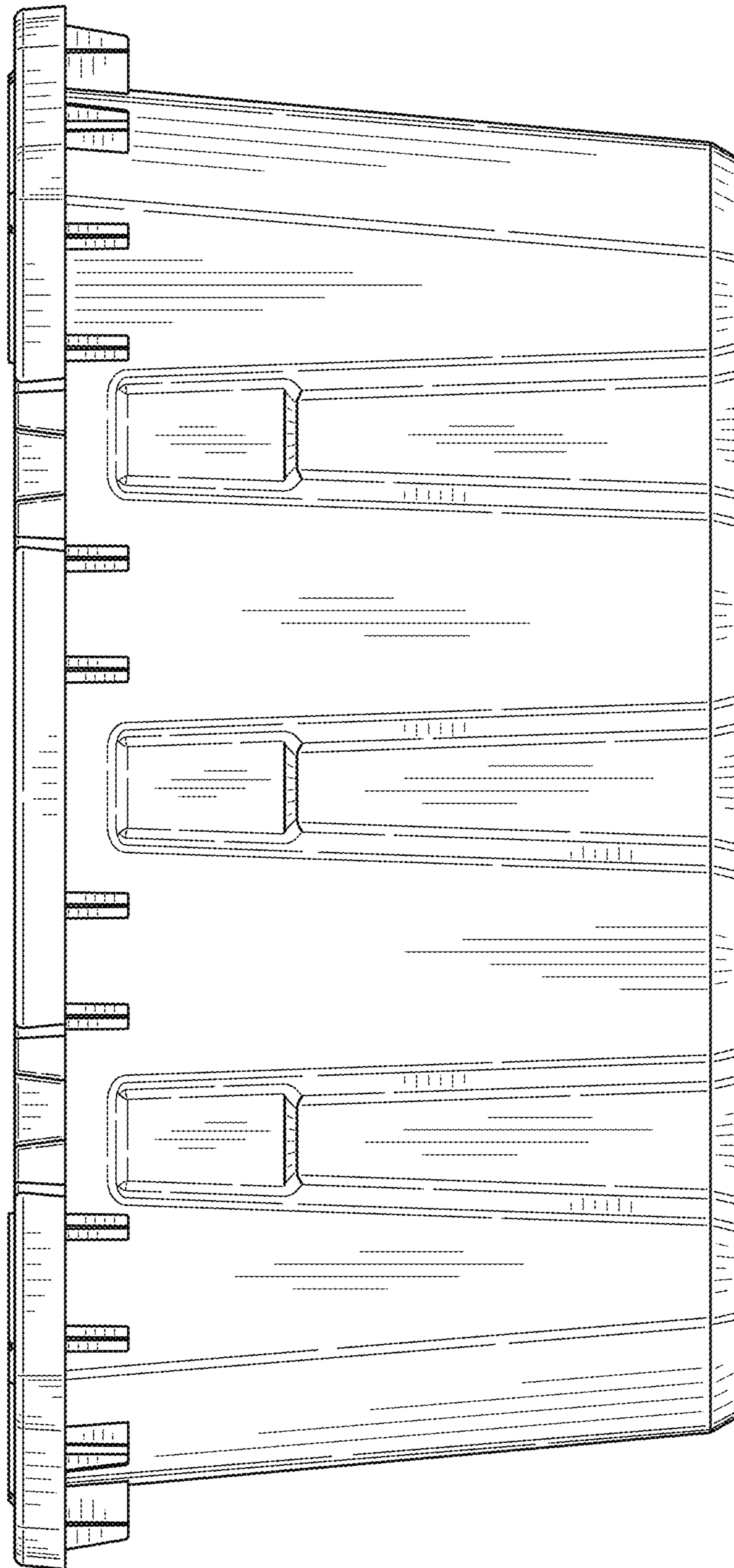


FIG. 9

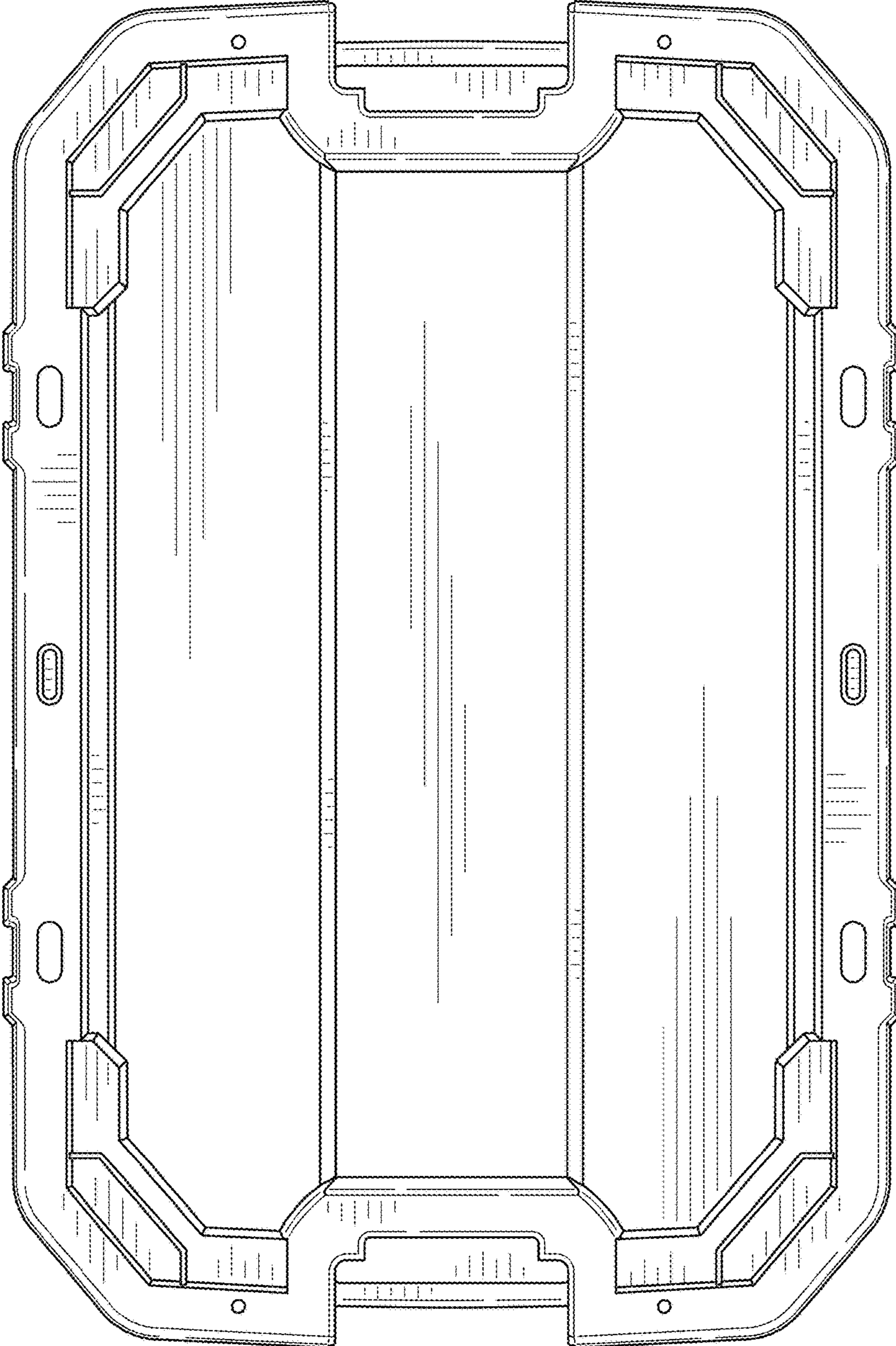


FIG. 10

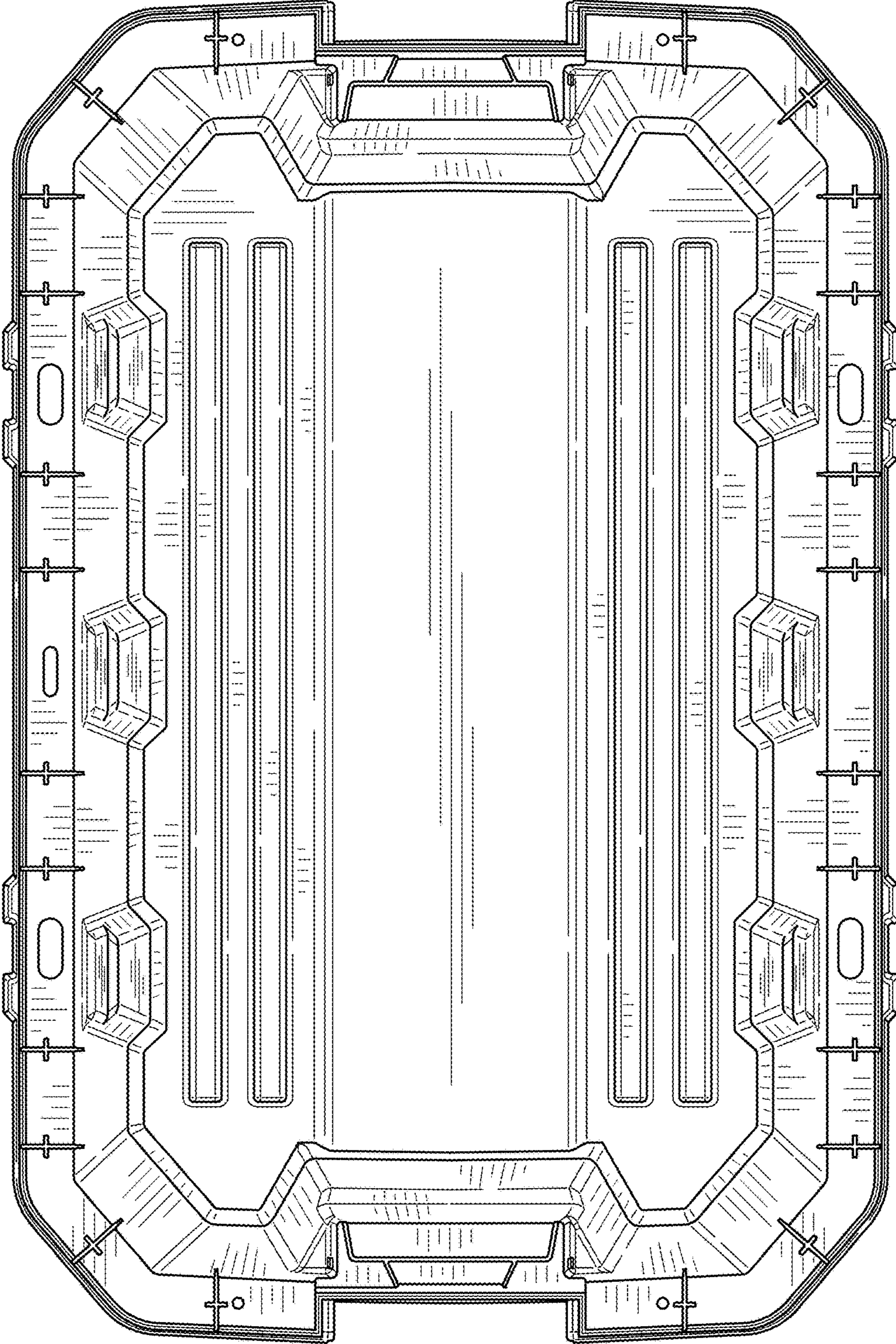


FIG. 11

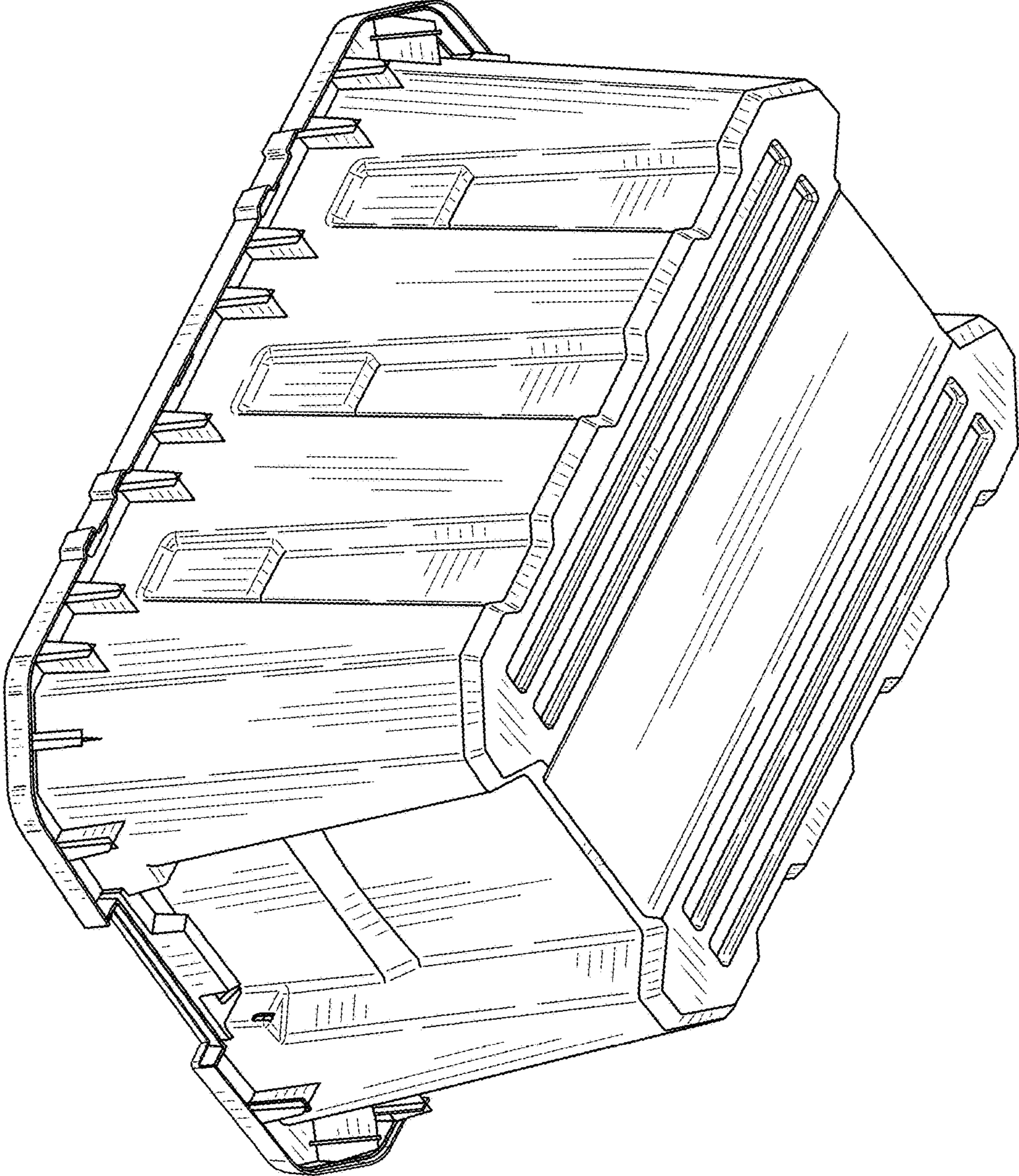


FIG. 12

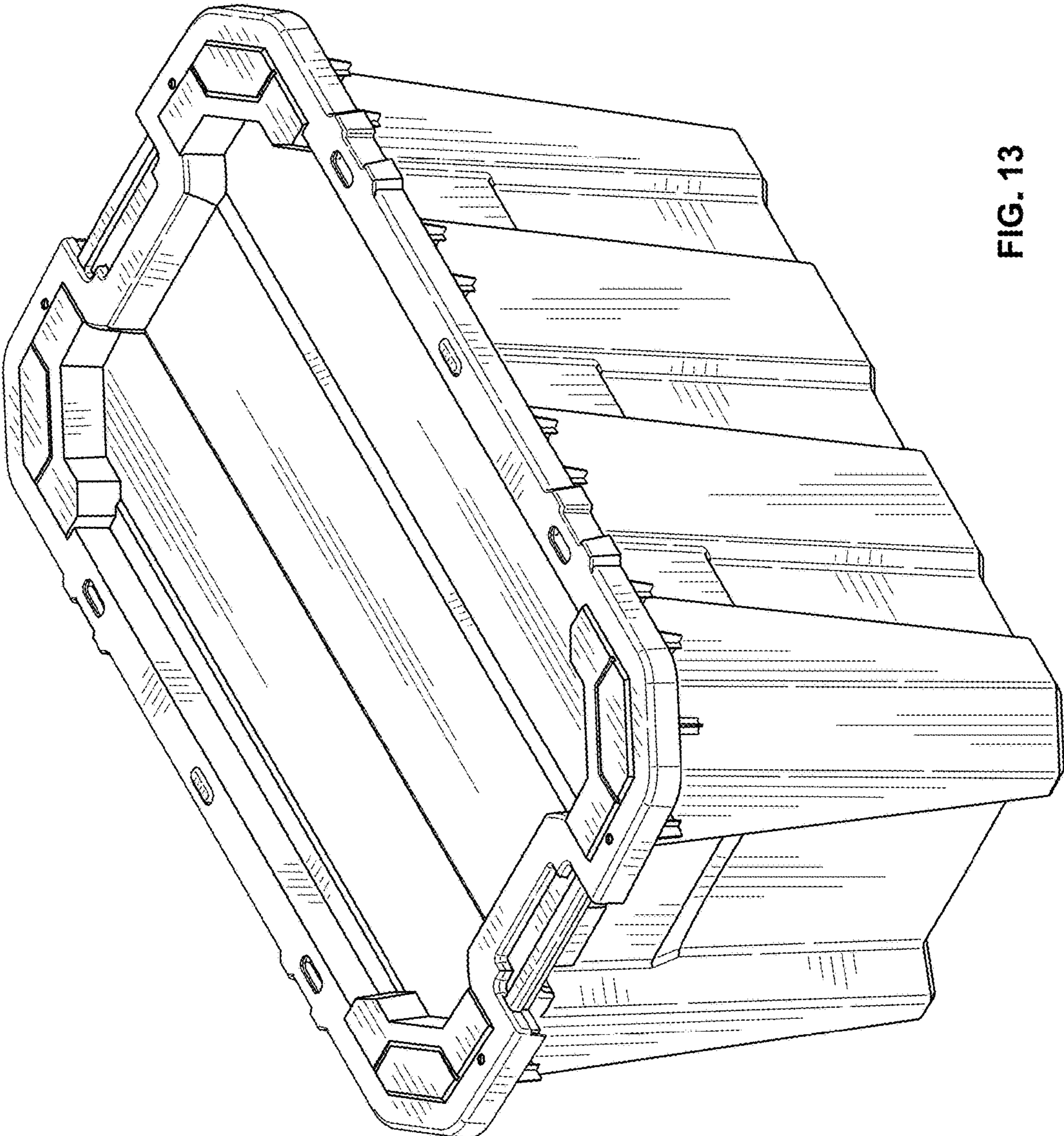


FIG. 13

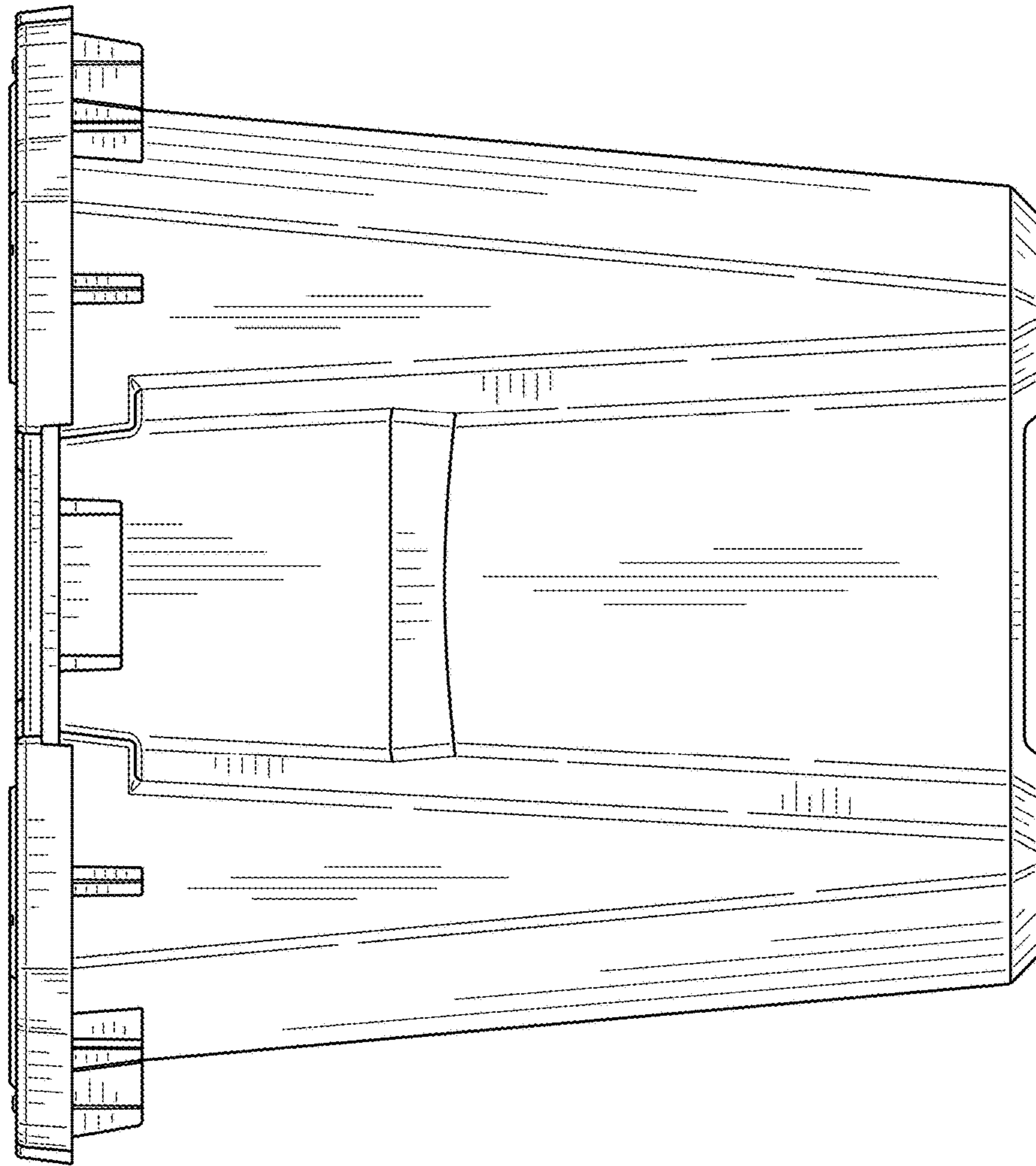


FIG. 14

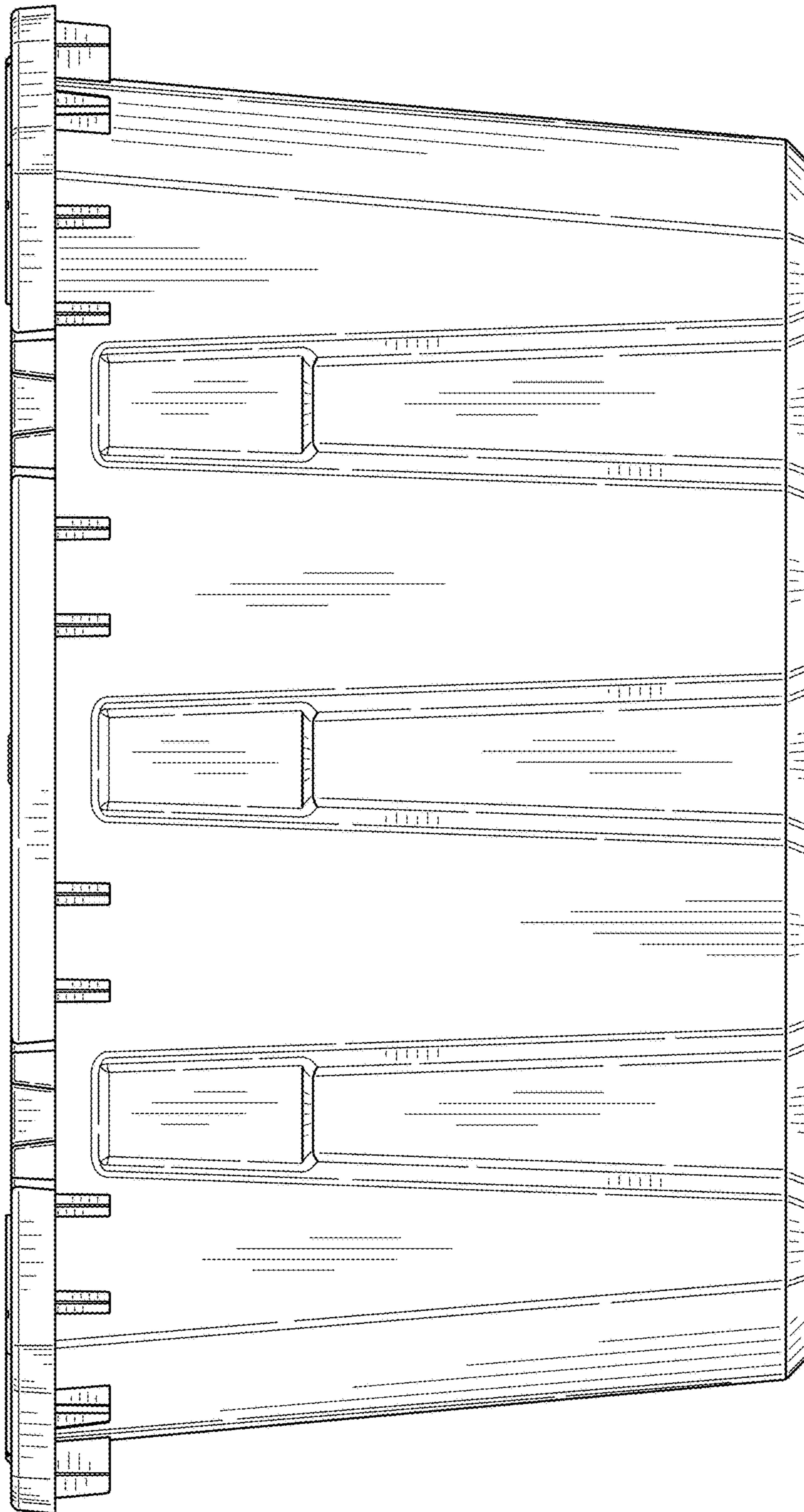


FIG. 15

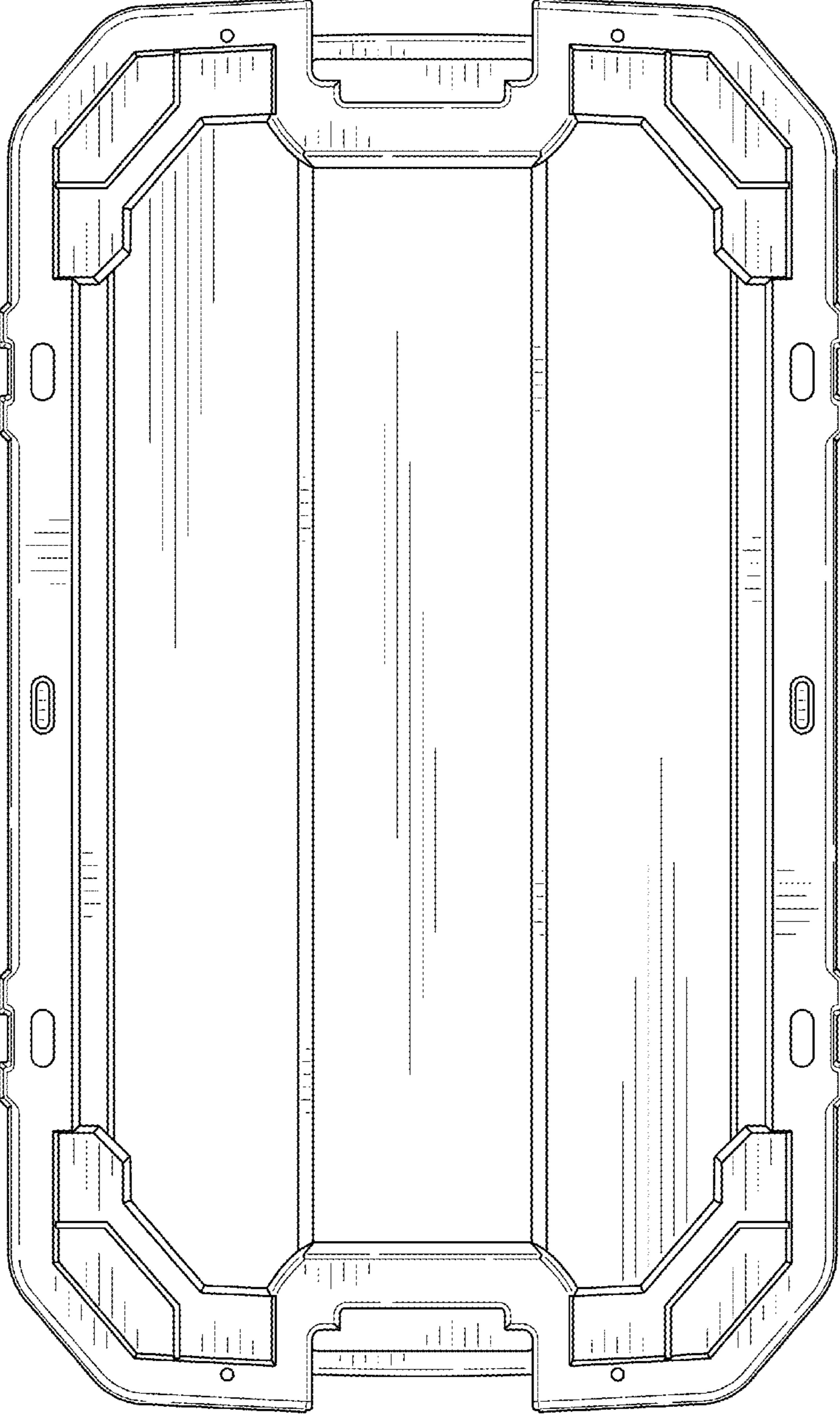


FIG. 16

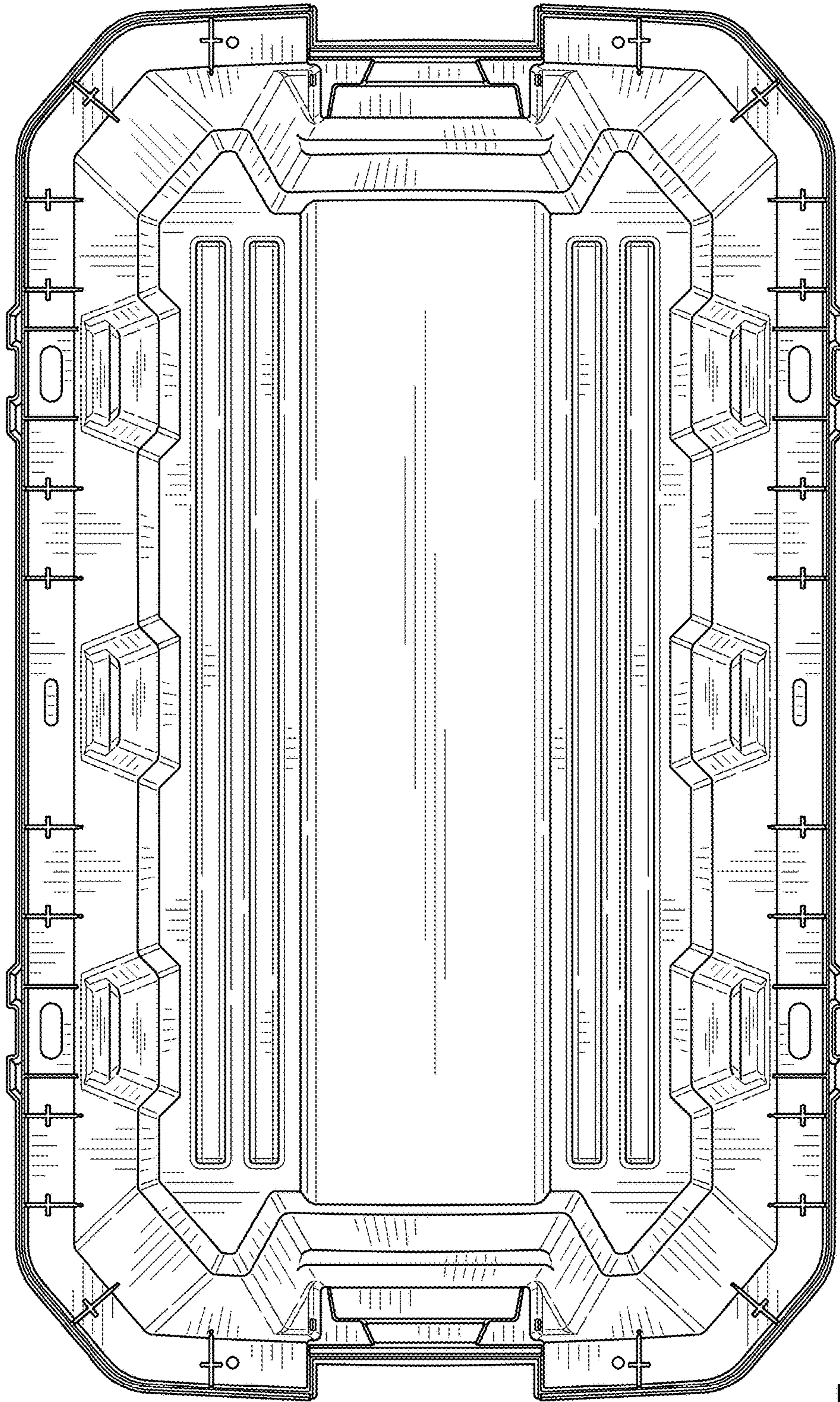


FIG. 17

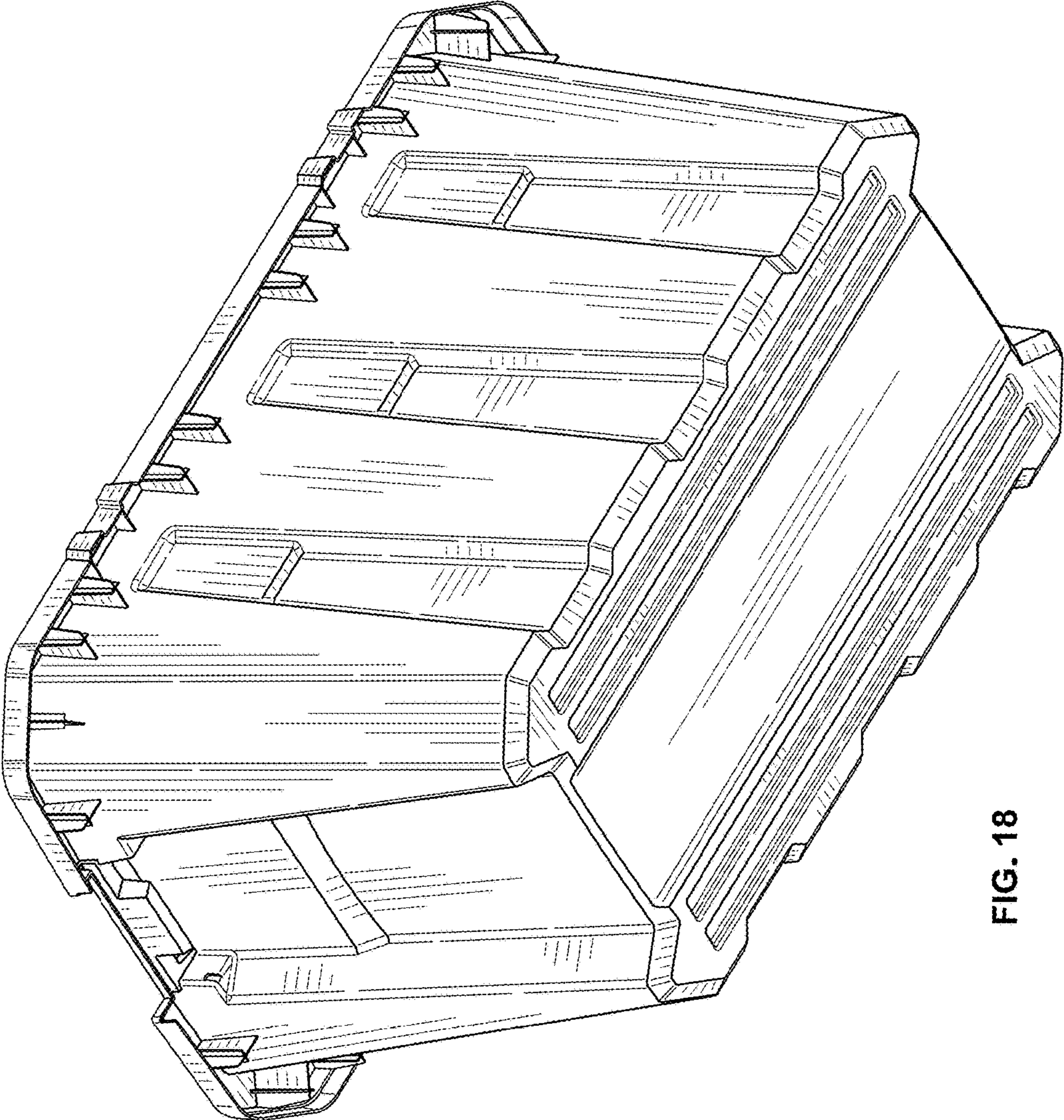


FIG. 18