



US00D846872S

(12) **United States Design Patent**
Wood et al.

(10) **Patent No.: US D846,872 S**

(45) **Date of Patent: ** Apr. 30, 2019**

- (54) **FOLDED CHECK WALLET**
- (71) Applicant: **Deluxe Corporation**, Shoreview, MN (US)
- (72) Inventors: **Troy Wood**, Dayton, MN (US); **Piotr Czapiewski**, St. Paul, MN (US)
- (73) Assignee: **Deluxe Corporation**, Shoreview, MN (US)
- (**) Term: **15 Years**
- (21) Appl. No.: **29/634,274**
- (22) Filed: **Jan. 19, 2018**
- (51) **LOC (11) Cl.** **03-01**
- (52) **U.S. Cl.**
USPC **D3/247**
- (58) **Field of Classification Search**
USPC D3/247, 249–253; D9/423
CPC A45C 1/06; A45C 3/08; B65D 5/6641; B65D 5/6667
See application file for complete search history.

- 5,427,232 A * 6/1995 Buch B65D 5/2009 206/45.29
- D414,692 S * 10/1999 Srinual D9/423
- D573,459 S * 7/2008 Snider D3/294
- D722,434 S * 2/2015 Bowen D3/247
- D812,373 S * 3/2018 Hildebrand D3/247
- 2003/0230509 A1* 12/2003 Fitzgerald B42D 1/08 206/472

* cited by examiner

Primary Examiner — Holly H Baynham

(74) *Attorney, Agent, or Firm* — Schwegman Lundberg & Woessner, P.A.

(57) **CLAIM**

An ornamental design for a folded check wallet, as shown and described.

DESCRIPTION

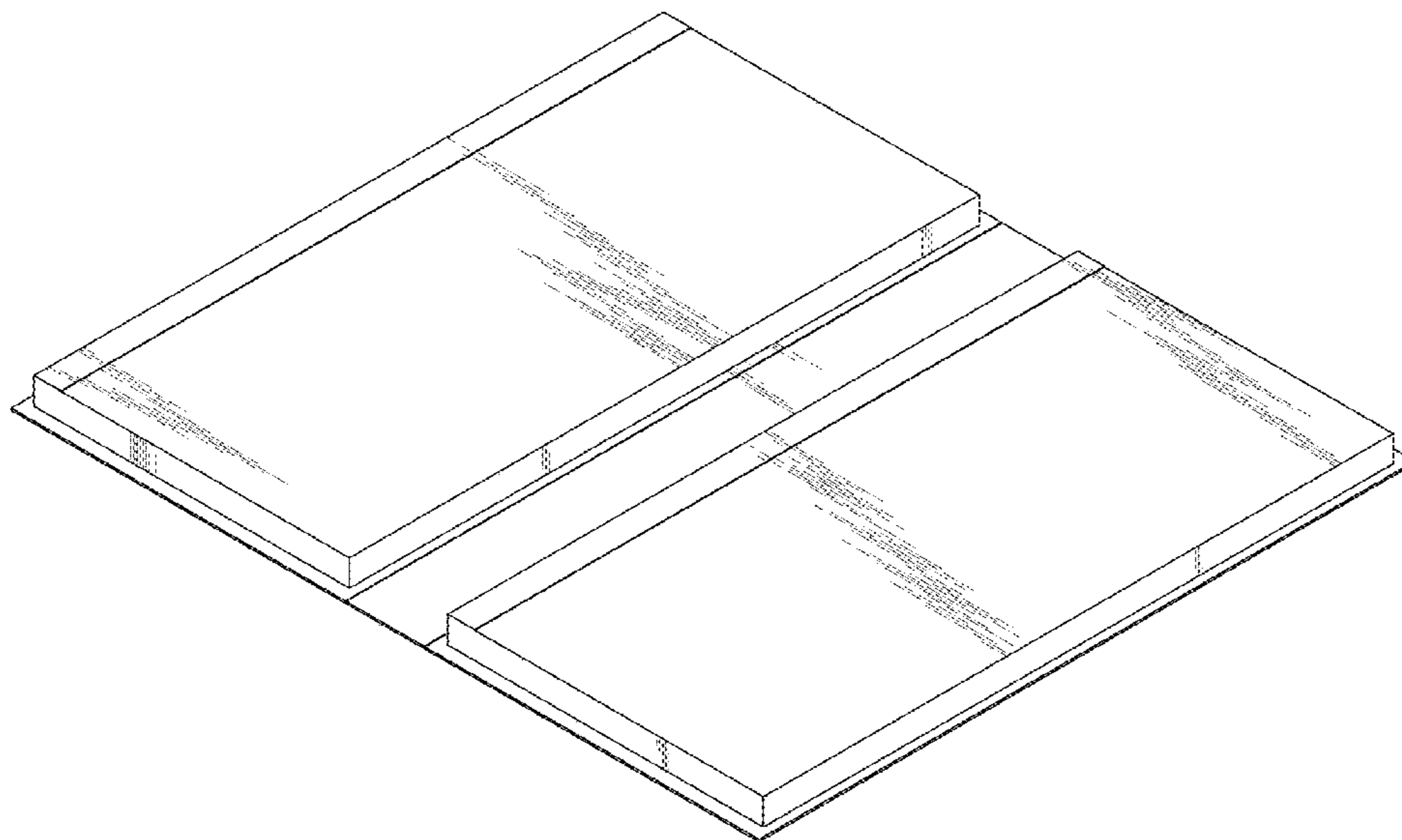
FIG. 1 is an isometric view of a folded check wallet from the top front viewpoint showing our new design; FIG. 2 is a left side elevational view thereof; FIG. 3 is a right side elevational view thereof; FIG. 4 a rear elevational view thereof; FIG. 5 is a front elevational view thereof; FIG. 6 is a top elevational view thereof; FIG. 7 is a bottom elevational view thereof; FIG. 8 is an isometric view from the top front of the new design when folded; FIG. 9 is a left side elevational view thereof; FIG. 10 is a right side elevational view thereof; FIG. 11 a rear elevational view thereof; FIG. 12 is a front elevational view thereof; and, FIG. 13 is a top elevational view thereof.

1 Claim, 9 Drawing Sheets

(56) **References Cited**

U.S. PATENT DOCUMENTS

- 1,857,270 A * 5/1932 Andrews B65D 5/28 229/145
- 2,765,973 A * 10/1956 Goldstein B65D 5/28 229/125
- 2,873,058 A * 2/1959 Janson B65D 5/28 206/263
- D319,785 S * 9/1991 Kilmartin, III D9/423
- D345,464 S * 3/1994 Coronel D3/247



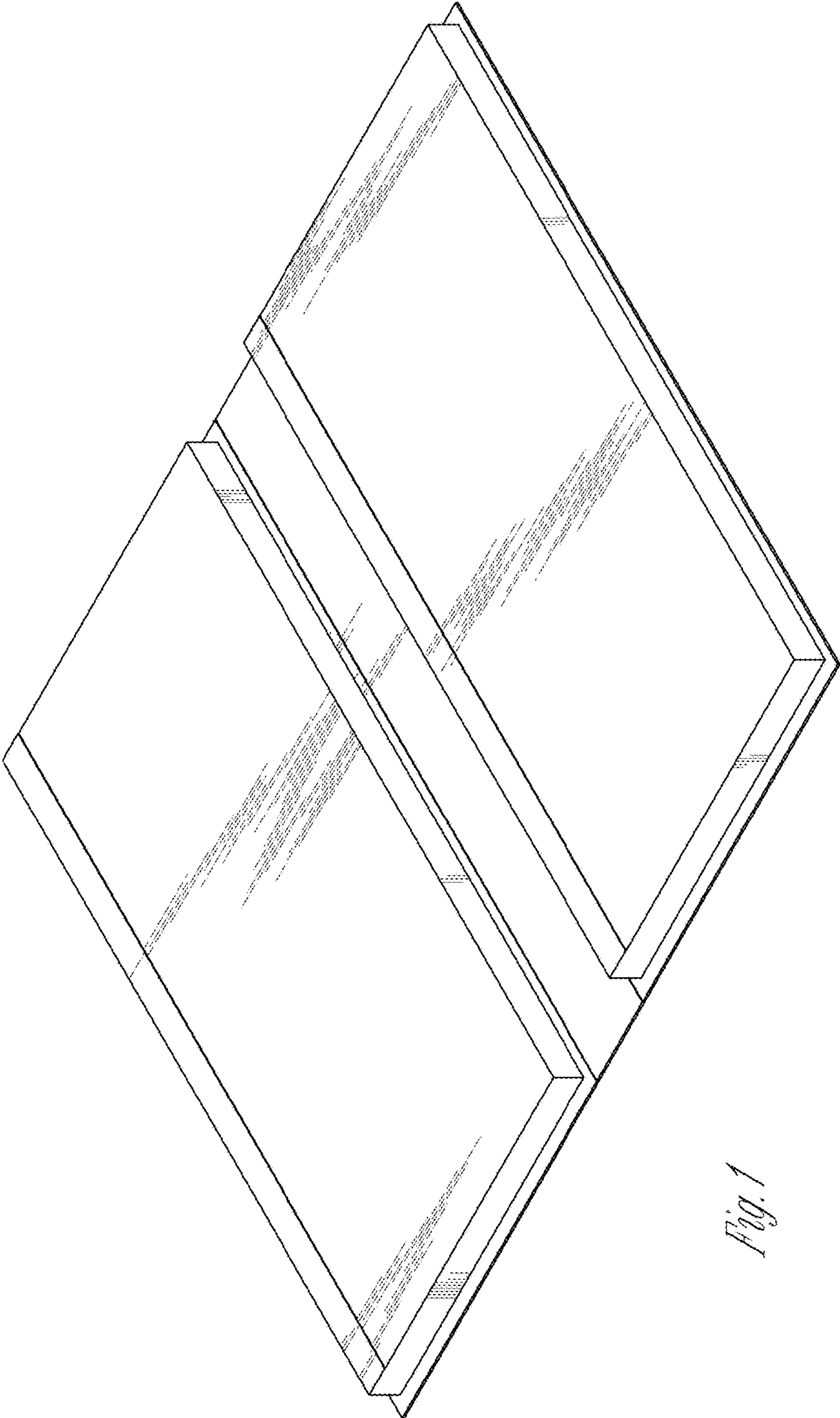


Fig. 1



Fig. 2



Fig. 3



Fig. 4



Fig. 5

Fig. 6

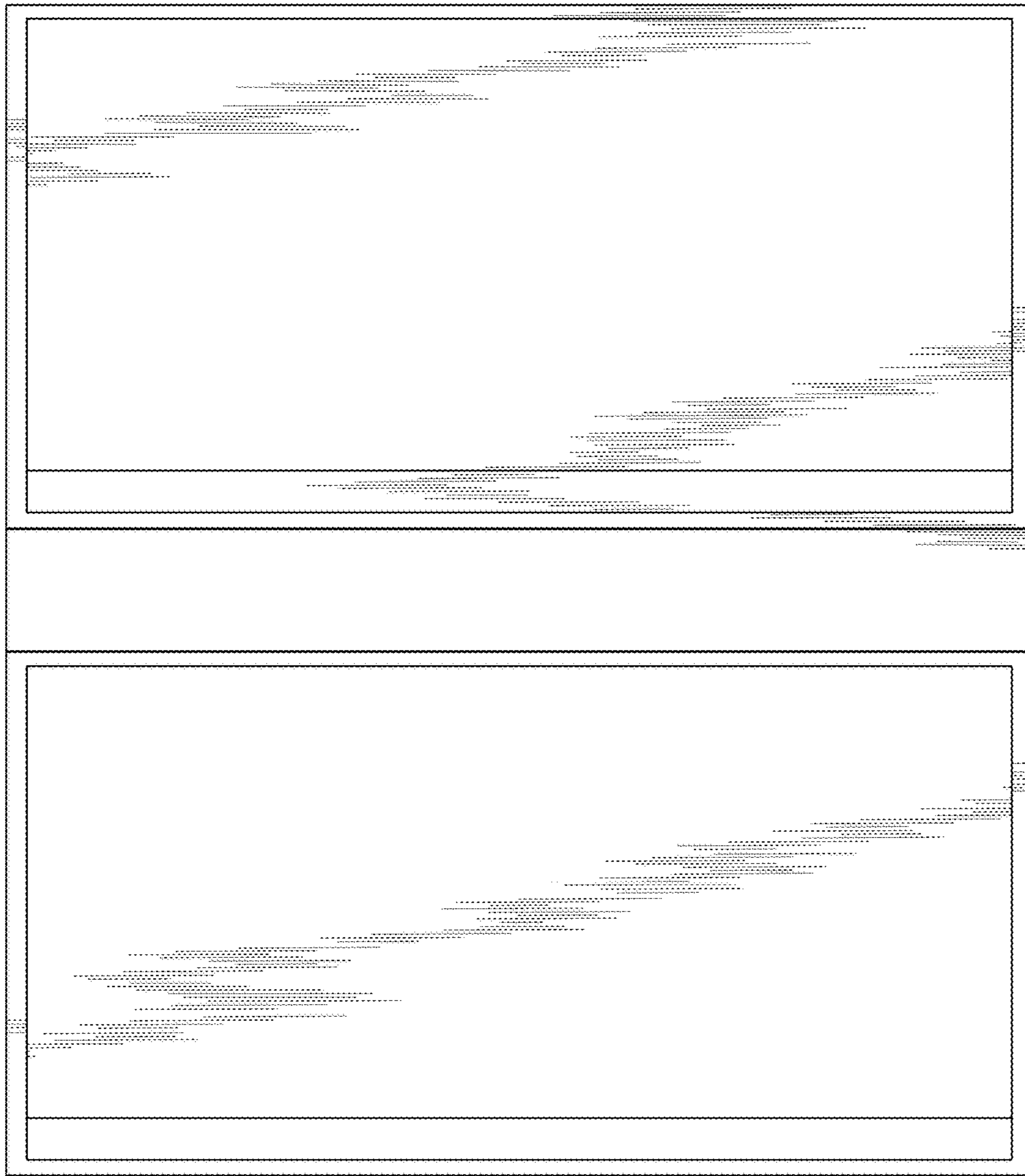
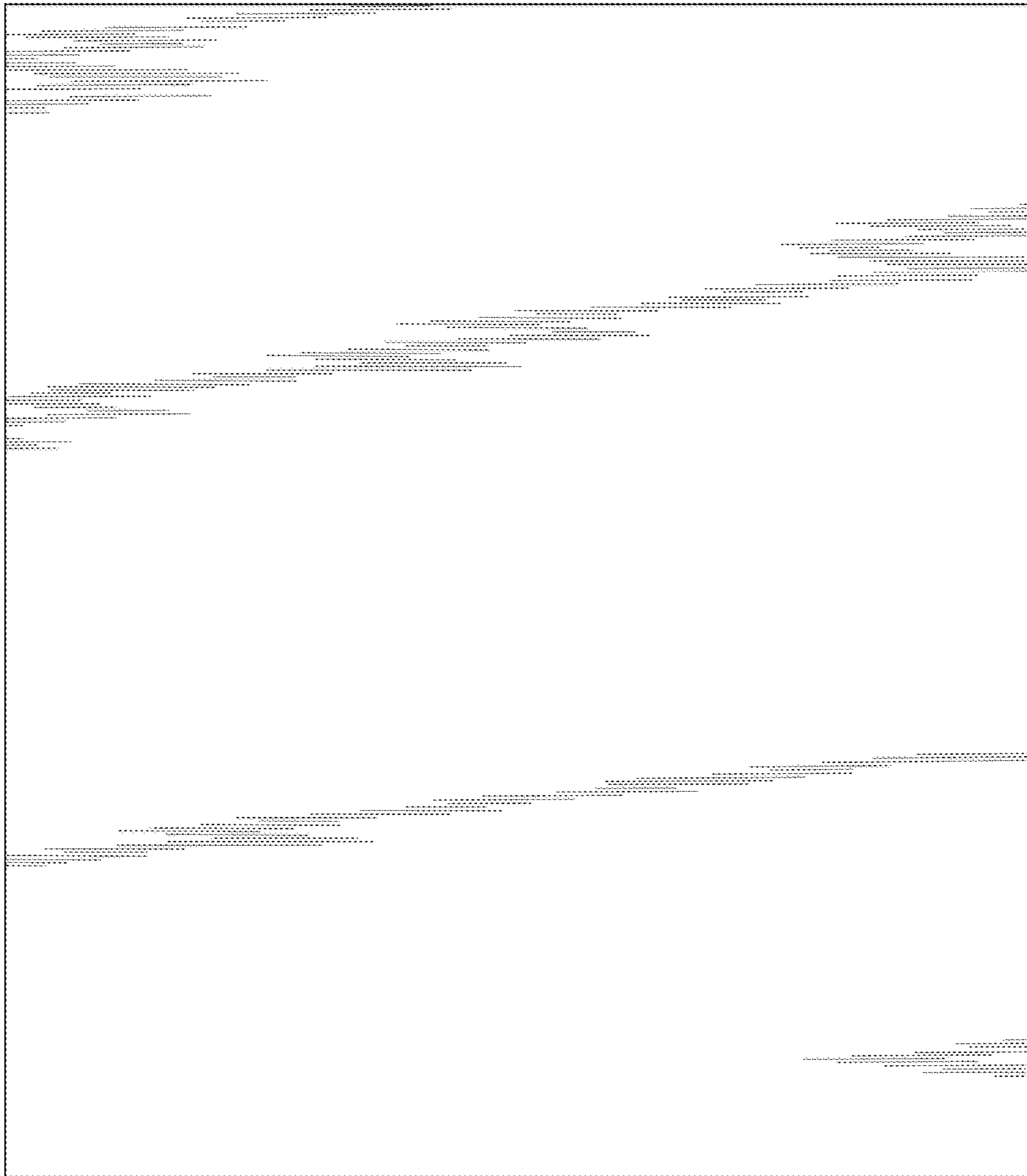
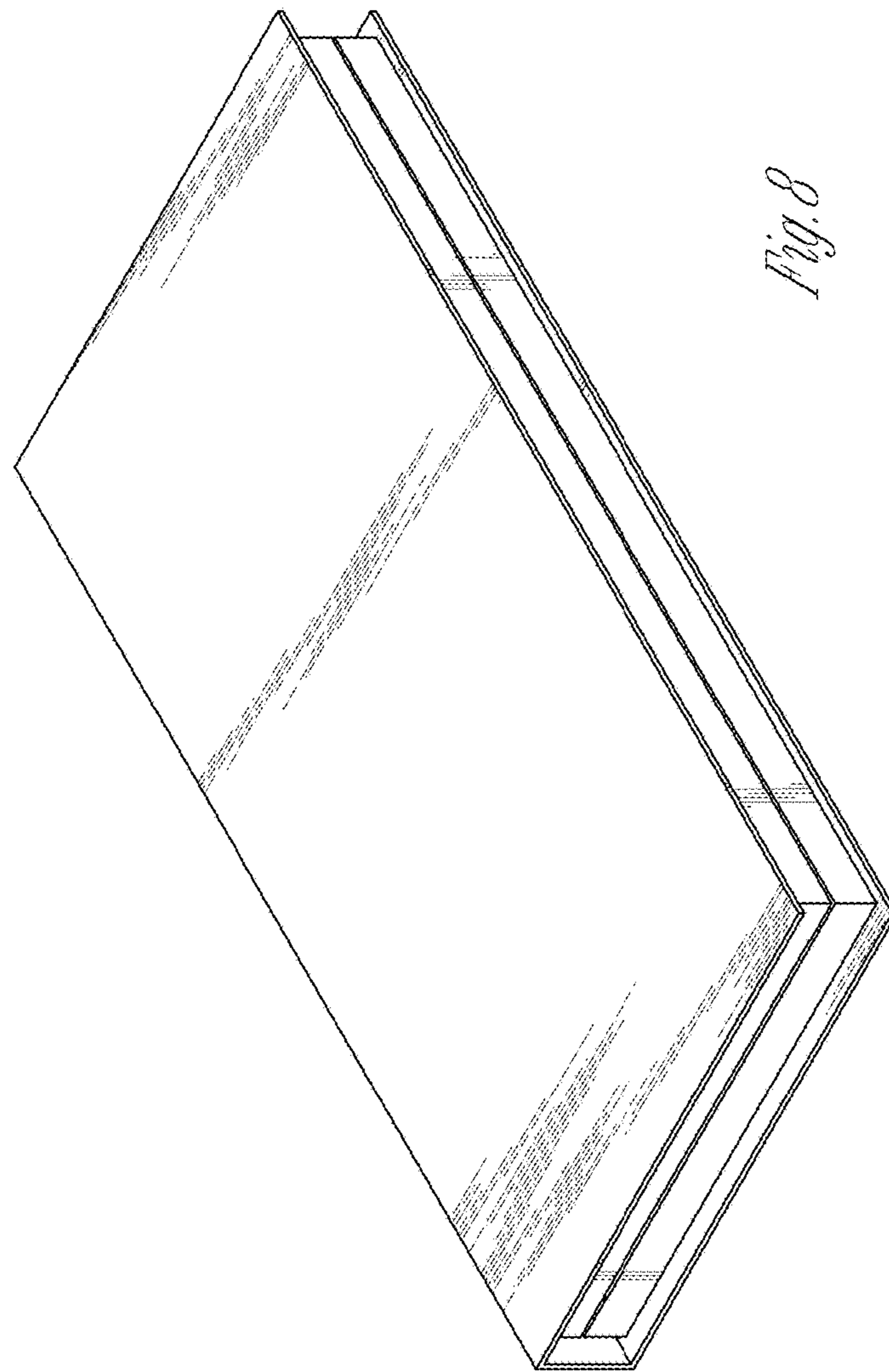


Fig. 7





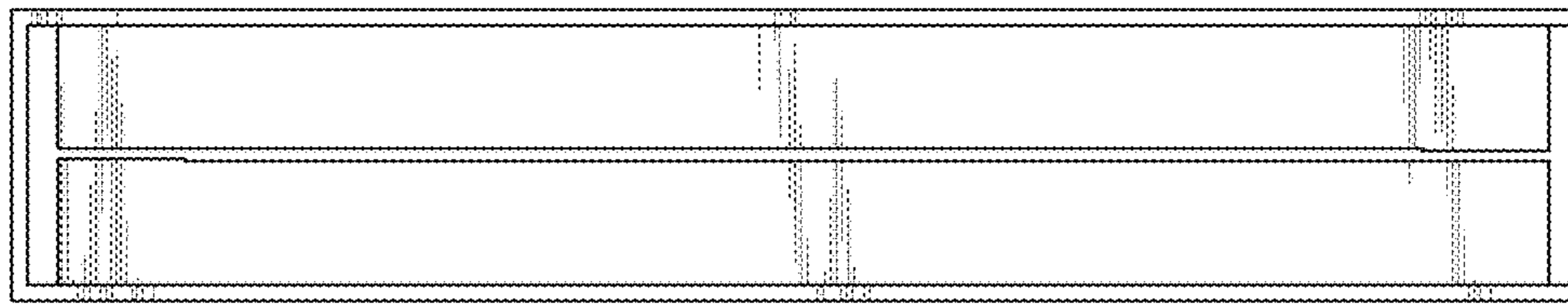


Fig. 9

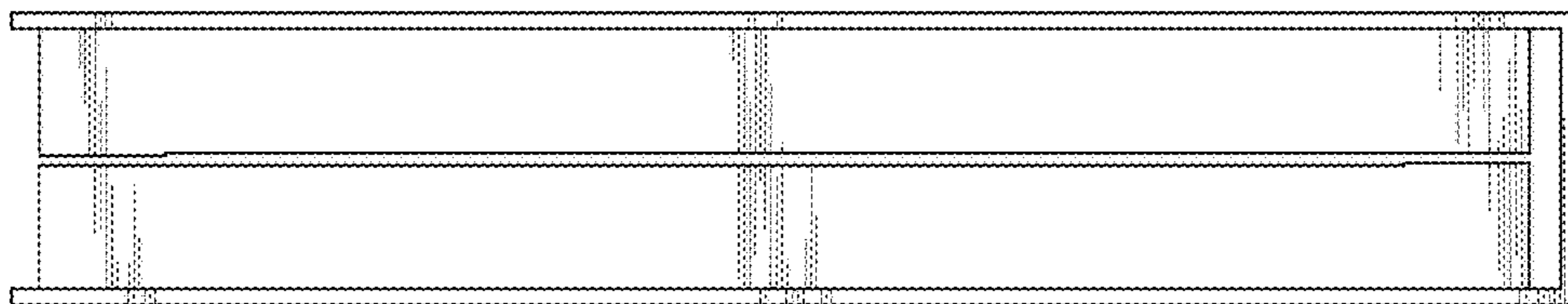


Fig. 10

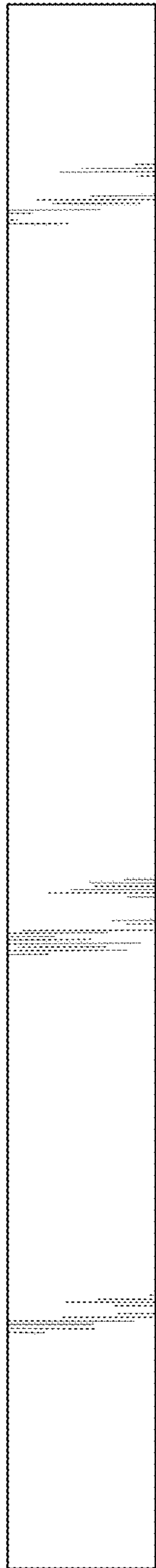


Fig. 11

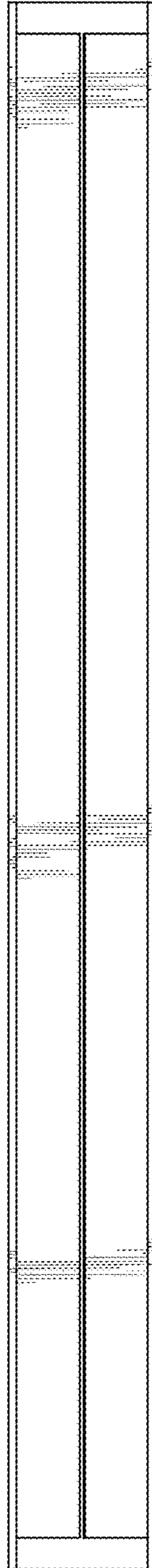


Fig. 12

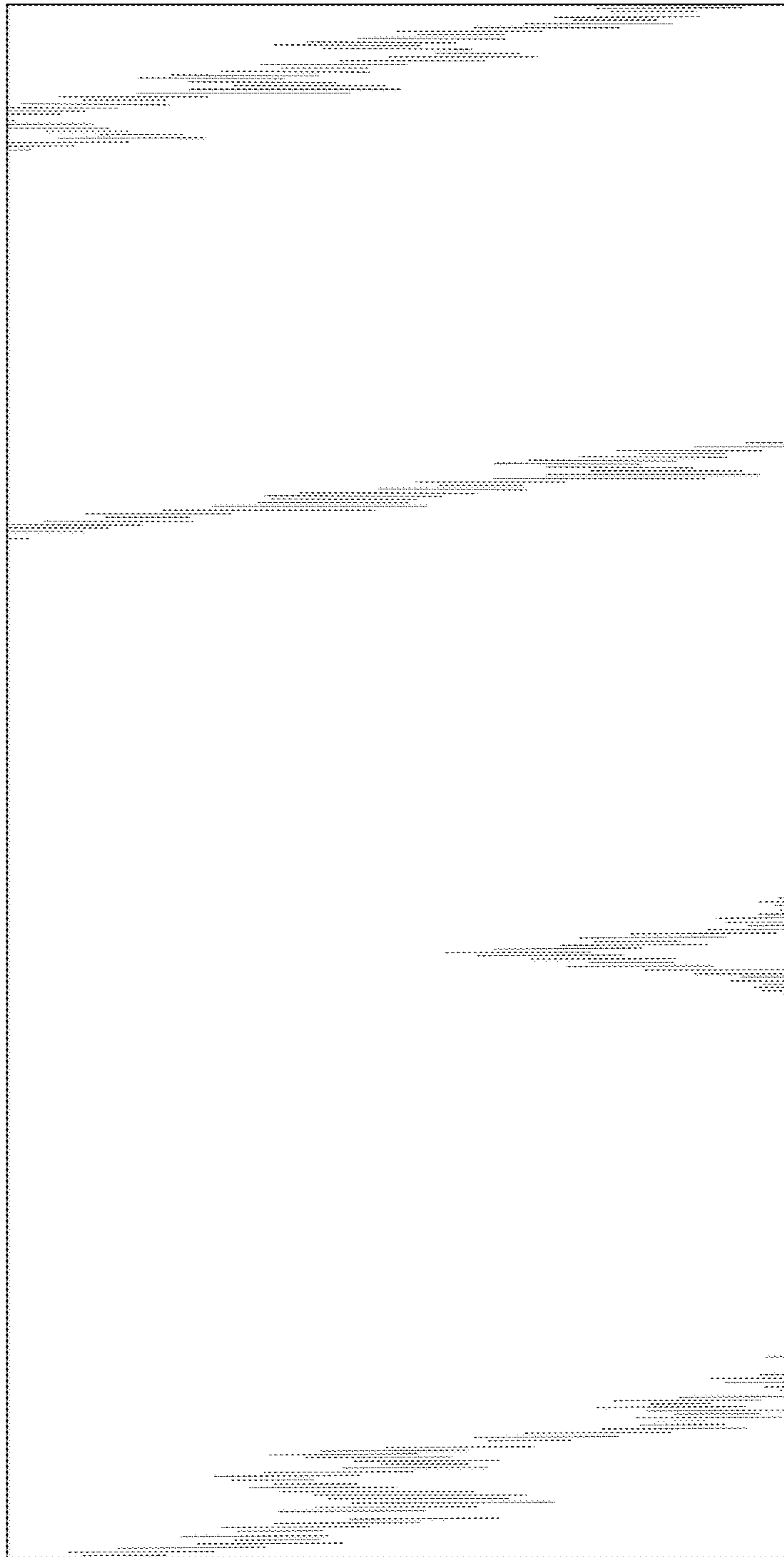


Fig. 13