



US00D846870S

(12) **United States Design Patent** (10) **Patent No.:** **US D846,870 S**  
**Gale** (45) **Date of Patent:** **\*\* \*Apr. 30, 2019**

(54) **HANDBAG**

(71) Applicant: **LOUIS VUITTON MALLETIER,**  
Paris (FR)

(72) Inventor: **Emma Gale,** Paris (FR)

(73) Assignee: **LOUIS VUITTON MALLETIER,**  
Paris (FR)

(\*) Notice: This patent is subject to a terminal disclaimer.

(\*\*) Term: **15 Years**

(21) Appl. No.: **29/627,966**

(22) Filed: **Nov. 30, 2017**

(51) **LOC (11) Cl.** ..... **03-01**

(52) **U.S. Cl.**  
USPC ..... **D3/243**

(58) **Field of Classification Search**  
USPC ..... D3/232-233, 240-243, 245-246  
CPC ..... A45C 1/024; A45C 3/06  
See application file for complete search history.

(56) **References Cited**

**U.S. PATENT DOCUMENTS**

D513,867 S \* 1/2006 Stulman ..... D3/243  
D793,724 S \* 8/2017 Gavriel ..... D3/243

D794,326 S \* 8/2017 Nair ..... D3/243  
D798,046 S \* 9/2017 Michele ..... D3/232  
D798,049 S \* 9/2017 Hawkes ..... D3/243  
D799,818 S \* 10/2017 Nair ..... D3/243  
D803,555 S \* 11/2017 Maier ..... D3/243

\* cited by examiner

*Primary Examiner* — Holly H Baynham  
(74) *Attorney, Agent, or Firm* — Fross Zelnick Lehrman & Zissu, P.C.; Charles T. J. Weigell, Esq.

(57) **CLAIM**

The ornamental design for a handbag, as shown and described.

**DESCRIPTION**

FIG. 1 is a front perspective view of a handbag showing my new design, shown in a closed position;  
FIG. 2 is a front view thereof;  
FIG. 3 is a back view thereof;  
FIG. 4 is a right side view thereof;  
FIG. 5 is a left side view thereof;  
FIG. 6 is a top view thereof;  
FIG. 7 is a bottom view thereof; and,  
FIG. 8 is a top perspective view thereof, shown in an open position.

The dotted lines are understood to represent stitching and is part of the claimed design.

**1 Claim, 8 Drawing Sheets**

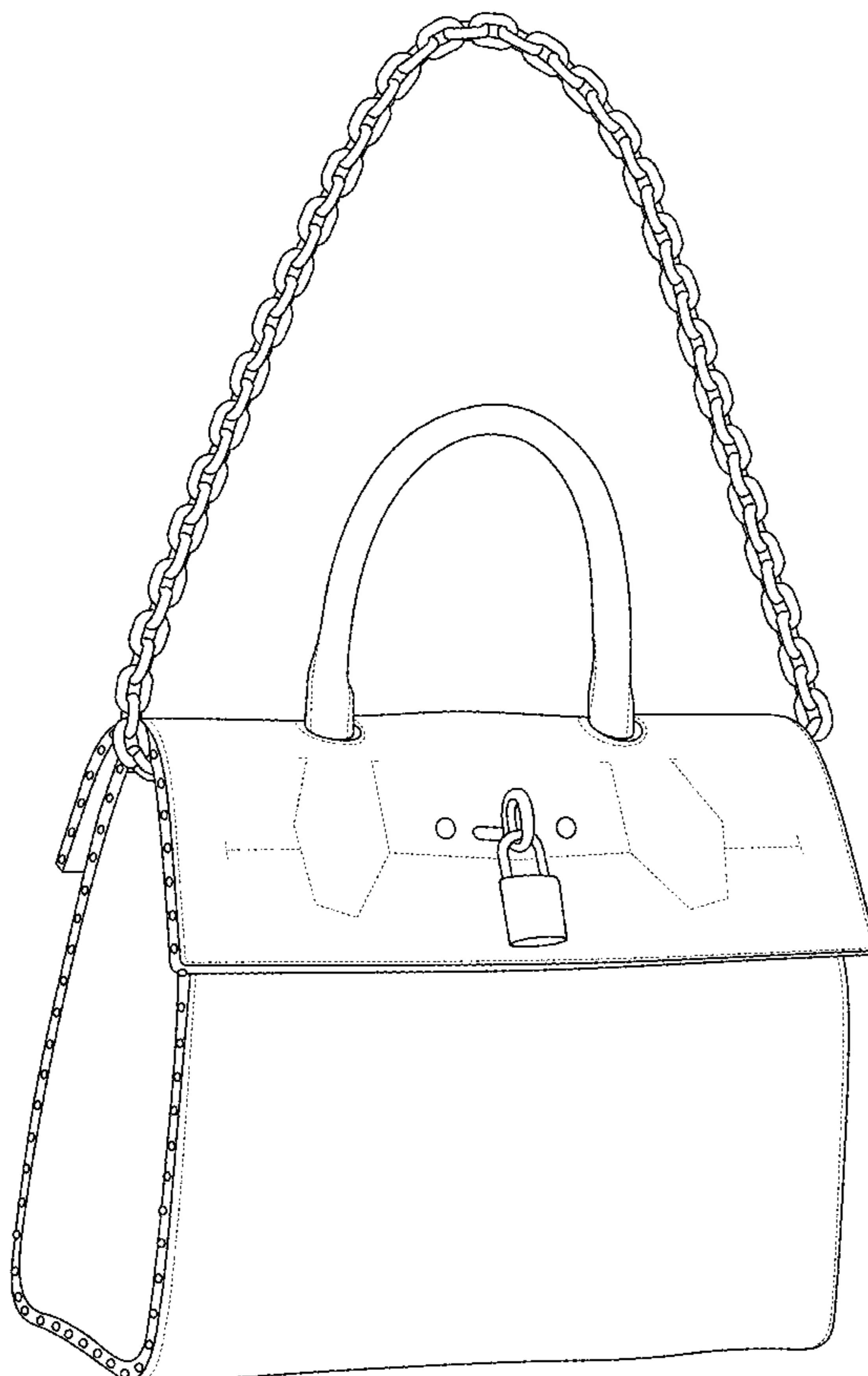




FIG. 1

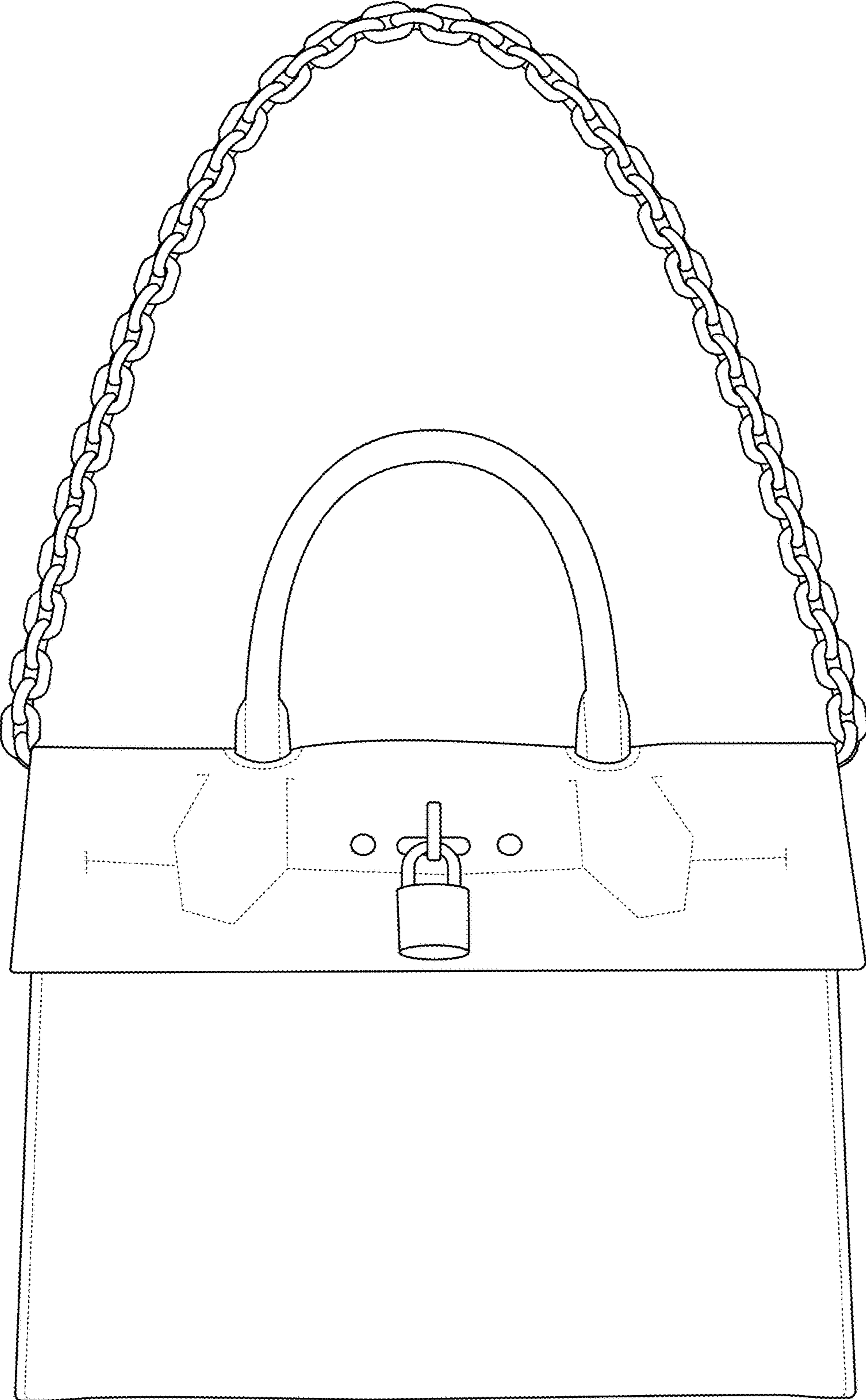


FIG. 2

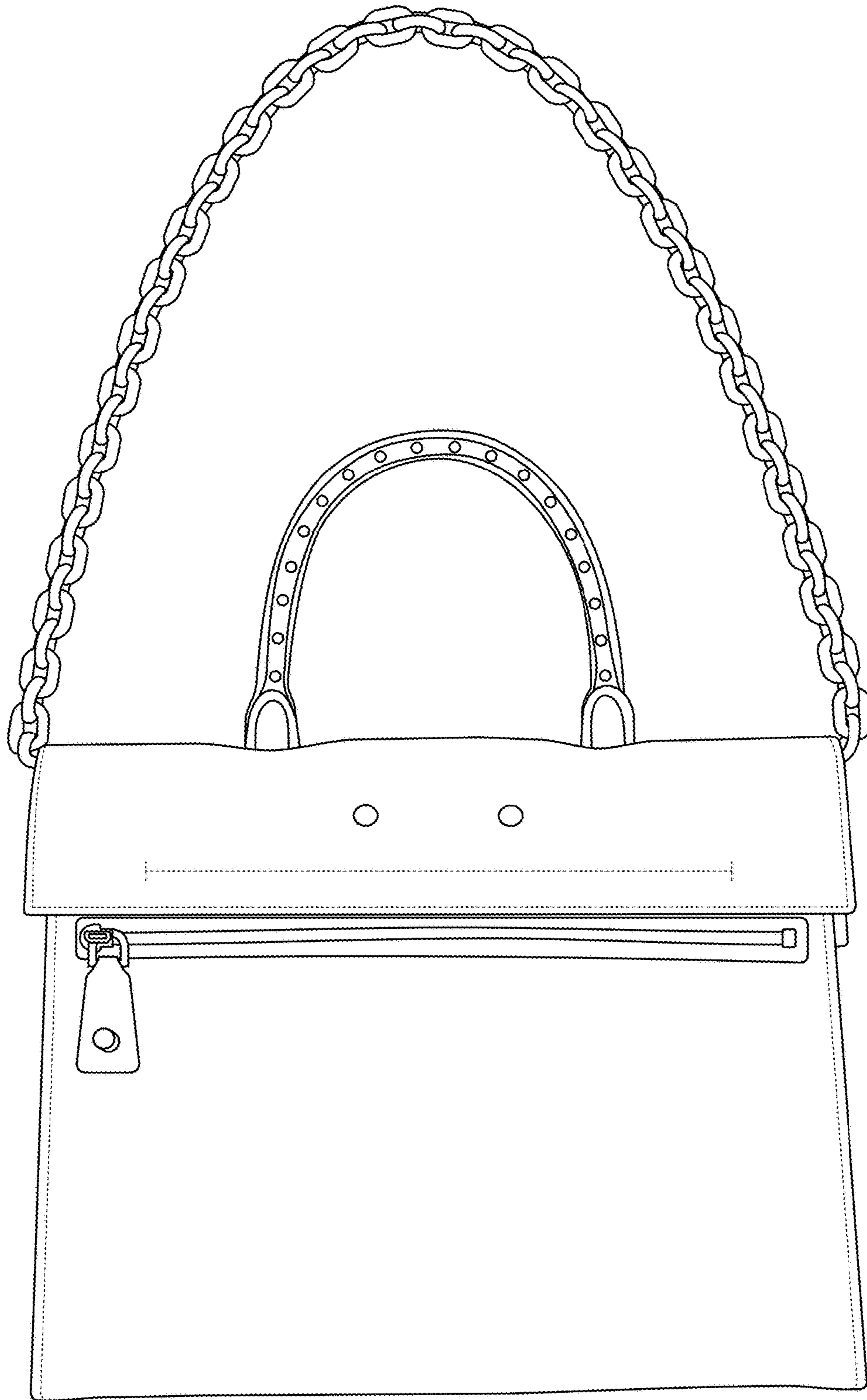


FIG. 3

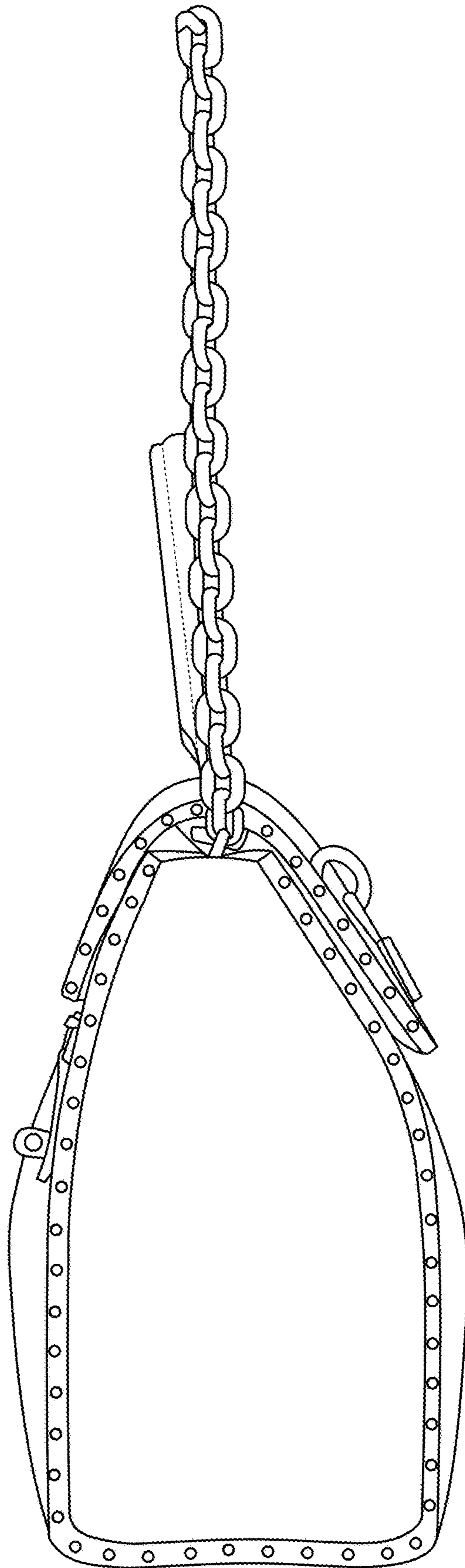


FIG. 4

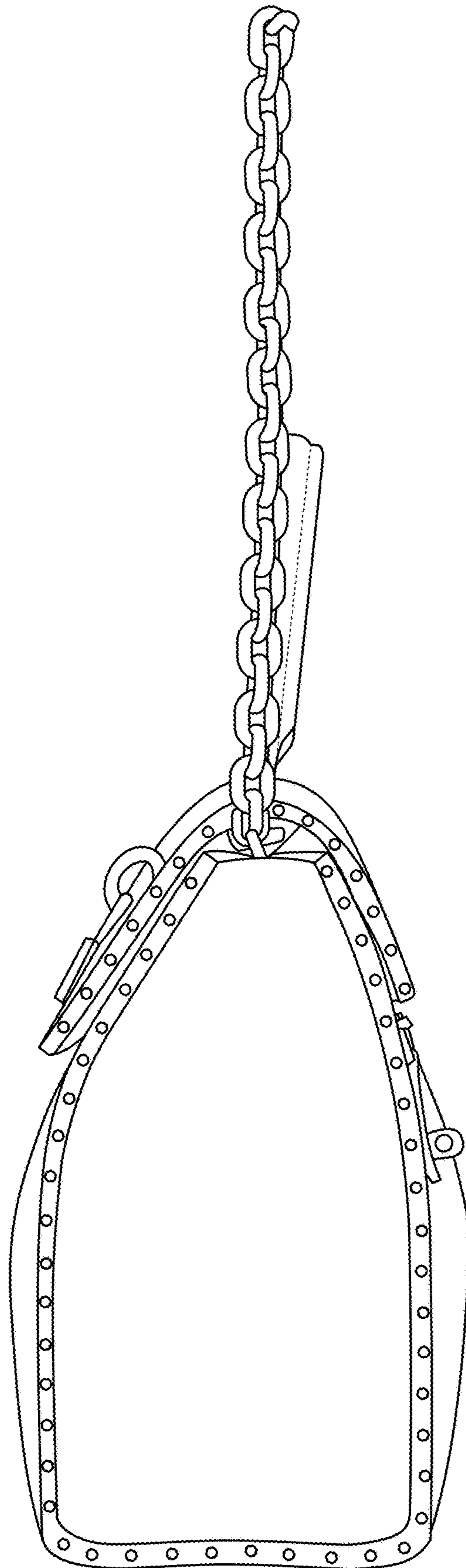


FIG. 5

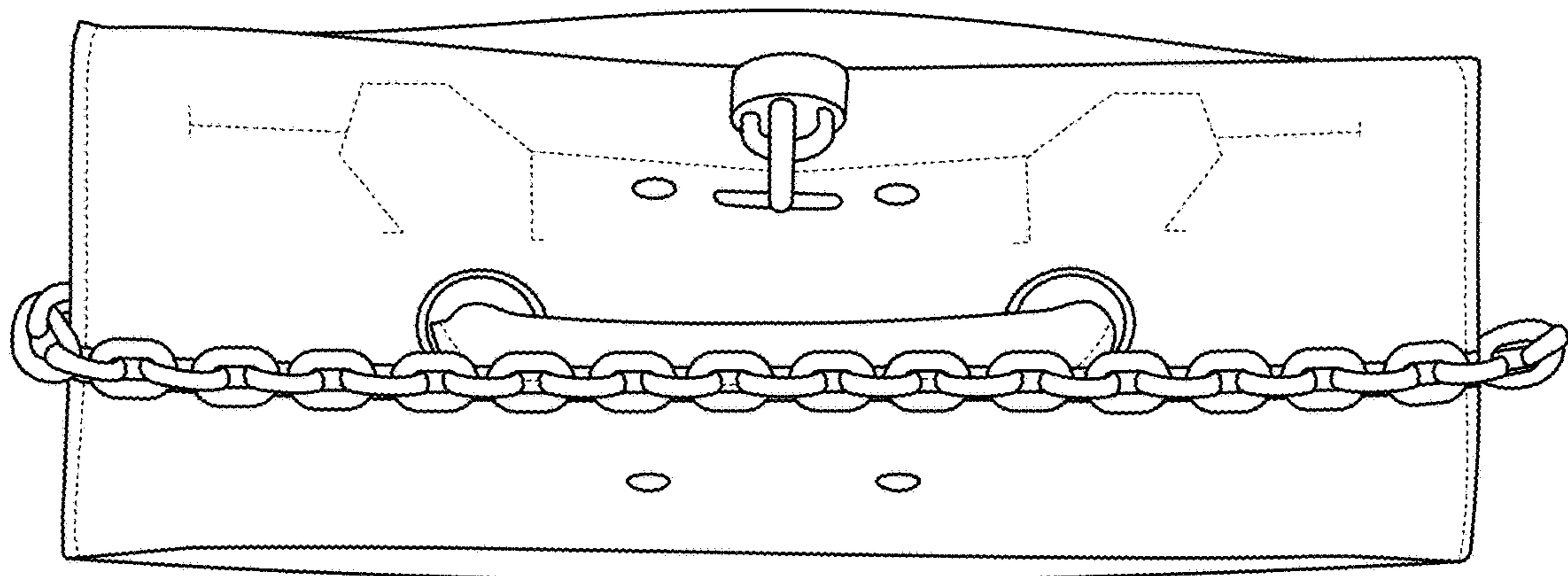


FIG. 6

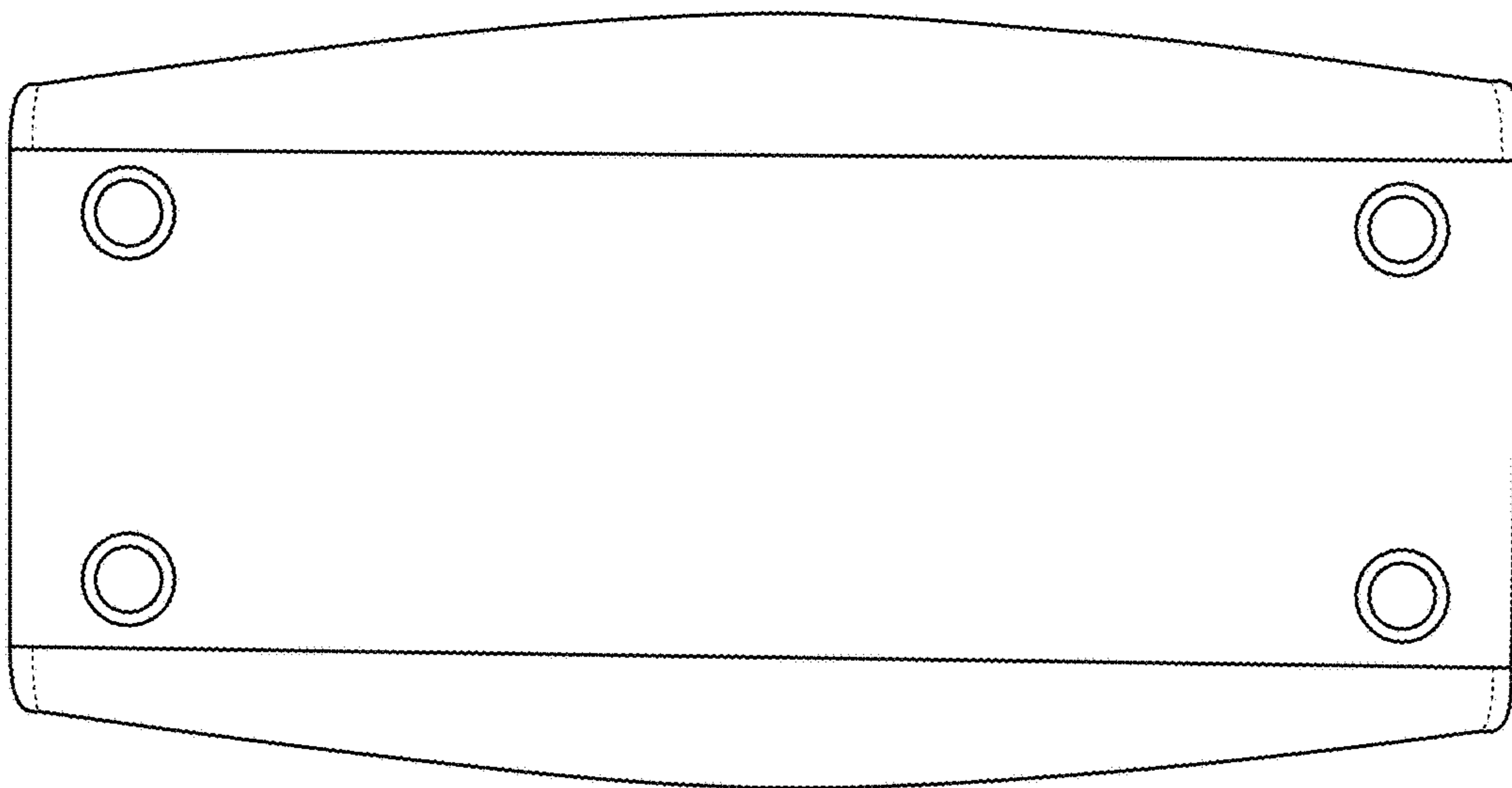


FIG. 7



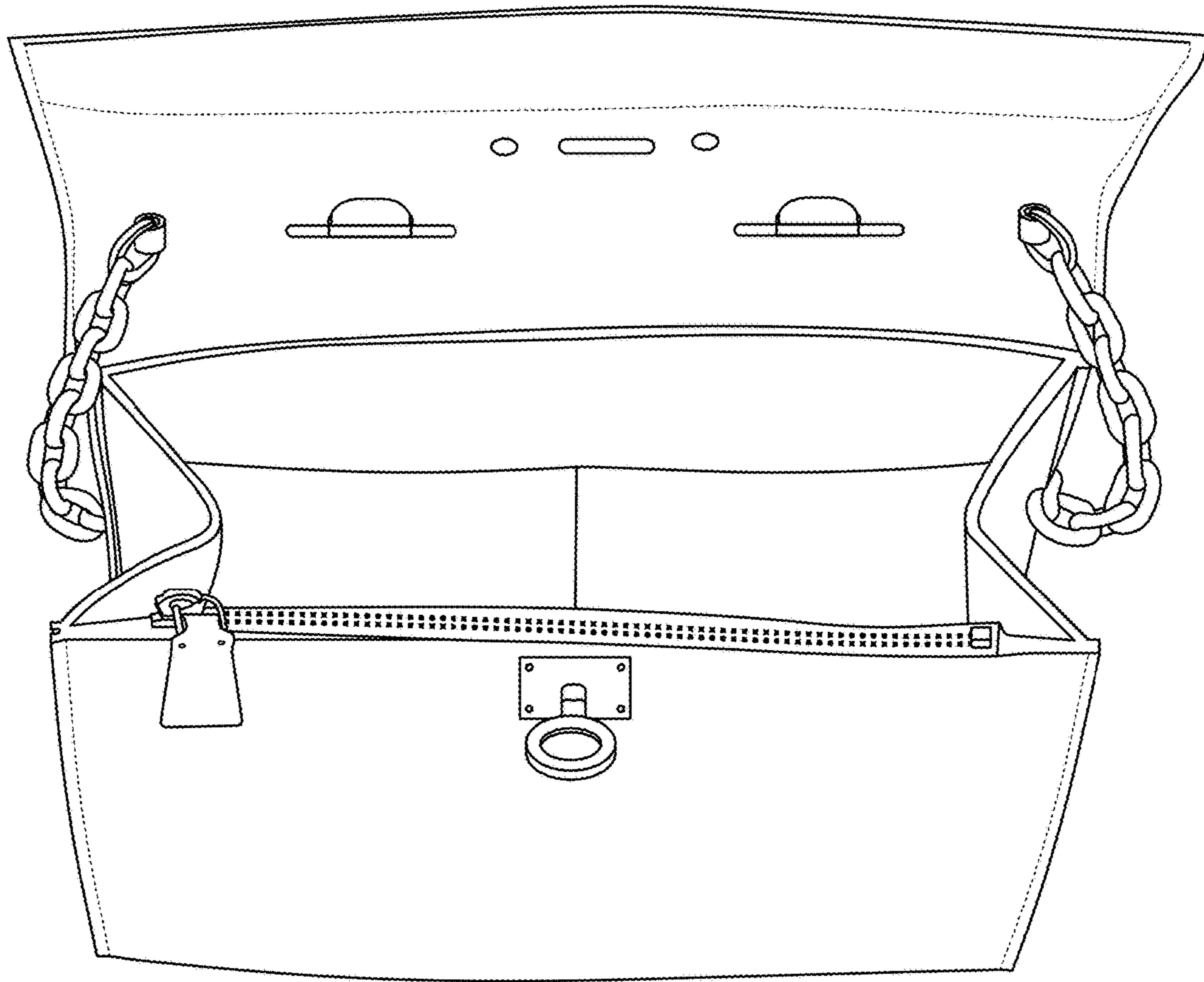


FIG. 8