



US00D846868S

(12) **United States Design Patent**  
**Chanthavong**

(10) **Patent No.:** **US D846,868 S**

(45) **Date of Patent:** **\*\* Apr. 30, 2019**

(54) **FOOTWEAR**

(71) Applicant: **Crocs, Inc.**, Niwot, CO (US)

(72) Inventor: **Tuee Chanthavong**, Edgewater, CO (US)

(73) Assignee: **Crocs, Inc.**, Niwot, CO (US)

(\*\*) Term: **15 Years**

(21) Appl. No.: **29/554,118**

(22) Filed: **Feb. 8, 2016**

(51) **LOC (11) Cl.** ..... **02-04**

(52) **U.S. Cl.**

USPC ..... **D2/974**; D2/969; D2/919; D2/916

(58) **Field of Classification Search**

USPC ..... D2/896, 898, 900, 902, 903, 906–911,  
D2/916–923, 925, 926, 929, 932,  
D2/938–994; 36/1, 1.5, 4, 7, 7.4, 7.5, 8,  
36/8.1, 11.5, 45–58, 77, 83, 84, 87–89,  
36/93, 100, 102, 104, 108, 109, 112–114,  
36/123–131

CPC ..... A43B 3/102

See application file for complete search history.

(56) **References Cited**

**U.S. PATENT DOCUMENTS**

|              |         |           |       |           |
|--------------|---------|-----------|-------|-----------|
| D132,630 S * | 6/1942  | Pfeiffer  | ..... | D2/916    |
| RE29,041 E * | 11/1976 | Fukuoka   | ..... | A43B 1/14 |
|              |         |           |       | 36/11.5   |
| D454,425 S * | 3/2002  | Boncutter | ..... | D2/916    |
| D462,826 S * | 9/2002  | Leong     | ..... | D2/916    |
| D471,346 S * | 3/2003  | Bray, Jr. | ..... | D2/919    |
| D481,857 S * | 11/2003 | Robbins   | ..... | D2/916    |
| D485,665 S * | 1/2004  | Stewart   | ..... | D2/919    |
| D485,970 S * | 2/2004  | Magro     | ..... | D2/916    |
| D485,972 S * | 2/2004  | Magro     | ..... | D2/916    |
| D492,474 S * | 7/2004  | Branstrom | ..... | D2/916    |
| D495,124 S * | 8/2004  | Wakatake  | ..... | D2/917    |
| D495,472 S * | 9/2004  | Magro     | ..... | D2/916    |

|                |         |             |       |             |
|----------------|---------|-------------|-------|-------------|
| D495,474 S *   | 9/2004  | Dal Magro   | ..... | D2/916      |
| D499,235 S *   | 12/2004 | Dal Magro   | ..... | D2/916      |
| D506,600 S *   | 6/2005  | Robbins     | ..... | D2/969      |
| 6,904,706 B2 * | 6/2005  | Jones       | ..... | A43B 1/0027 |
|                |         |             |       | 36/101      |
| D514,300 S *   | 2/2006  | McDonald    | ..... | D2/969      |
| D517,788 S *   | 3/2006  | Seamans     | ..... | D2/969      |
| D563,082 S *   | 3/2008  | Seamans     | ..... | D2/916      |
| D643,599 S *   | 8/2011  | Fontanarosa | ..... | D2/916      |
| D644,006 S *   | 8/2011  | Tran        | ..... | D2/916      |

(Continued)

**OTHER PUBLICATIONS**

“Crocs Modi Sport, Unisex Adult’s Slide Sandals.” Found online Nov. 17, 2017 at [www.amazon.co.uk](http://www.amazon.co.uk). Page dated Aug. 2, 2016. Retrieved from URL: <https://www.amazon.co.uk/Crocs-Modi-Sport-Slide-Sandals/dp/B01HP7LH8E> (Year: 2016).\*

(Continued)

*Primary Examiner* — Garth Rademaker

*Assistant Examiner* — Katelin G Kloberg

(74) *Attorney, Agent, or Firm* — Wilmer Cutler Pickering Hale and Dorr LLP

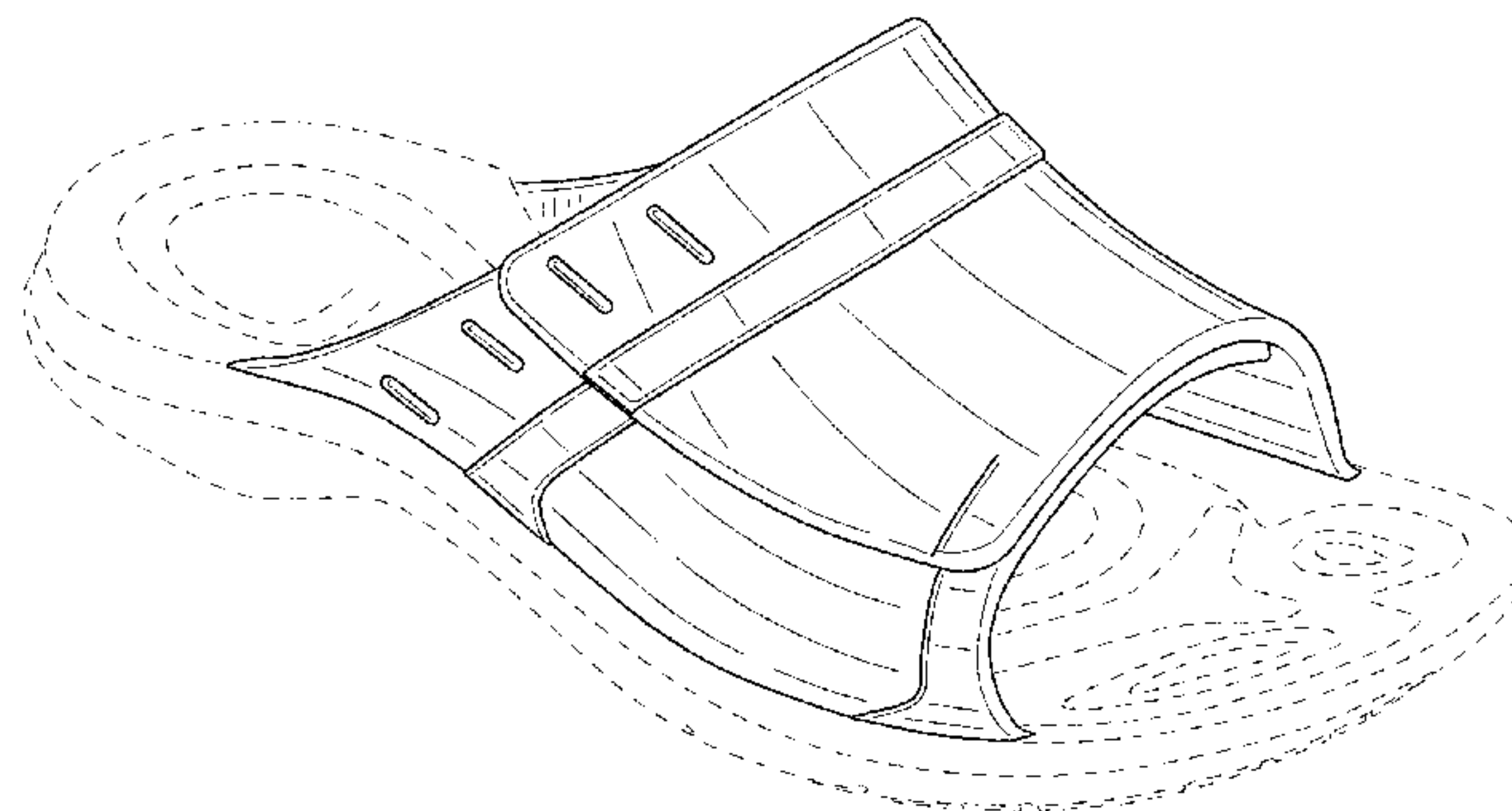
(57) **CLAIM**

The ornamental design for footwear, as shown and described.

**DESCRIPTION**

FIG. 1 is a front perspective view of footwear;  
FIG. 2 is a front view thereof;  
FIG. 3 is a back view thereof;  
FIG. 4 is an outer side view thereof;  
FIG. 5 is an inner side view thereof;  
FIG. 6 is a top view thereof; and,  
FIG. 7 is a bottom view thereof.  
The broken lines shown in the drawings depict portions of the article and form no part of the claimed design.

**1 Claim, 7 Drawing Sheets**



(56)

**References Cited**

## U.S. PATENT DOCUMENTS

D731,157 S \* 6/2015 Fongher ..... D2/916  
D733,409 S \* 7/2015 Catelli ..... D2/922  
D787,166 S \* 5/2017 Doak ..... D2/916  
D817,607 S \* 5/2018 Morrison ..... D2/916  
D822,348 S \* 7/2018 Altovino ..... D2/916  
2012/0174439 A1\* 7/2012 O'Connor ..... A43B 3/108  
36/91

## OTHER PUBLICATIONS

“Jordan Mens Hydro 5 Retro Slide Sandals.” Found online Nov. 17, 2017 at [www.amazon.com](http://www.amazon.com). Page dated Dec. 15, 2015. Retrieved from URL: [https://www.amazon.com/Jordan-Hydro-Black-White-Sandal/dp/B01AWUV6Z0/ref=sr\\_1\\_1?ie=UTF8&qid=1510977902&sr=8-1&keywords=lebron+slides+for+men](https://www.amazon.com/Jordan-Hydro-Black-White-Sandal/dp/B01AWUV6Z0/ref=sr_1_1?ie=UTF8&qid=1510977902&sr=8-1&keywords=lebron+slides+for+men) (Year: 2015).\*

“Body Glove Men’s Dune Blue-Orange Slide Sandal.” Found online Nov. 17, 2017 at [www.kmart.com](http://www.kmart.com). Page dated Jun. 13, 2016. Retrieved from URL: <http://www.kmart.com/body-glove-men-s-dune-blue-orange-slide-sandal/p-067VA88508412P> (Year: 2016).\*

“Speedo Exsqueeze Me Rip Slide.” Found online Nov. 17, 2017 at [www.zappos.com](http://www.zappos.com). Page dated Mar. 28, 2015. Retrieved from URL: <https://www.zappos.com/p/speedo-exsqueeze-me-rip-slide/product/8237042> (Year: 2015).\*

\* cited by examiner

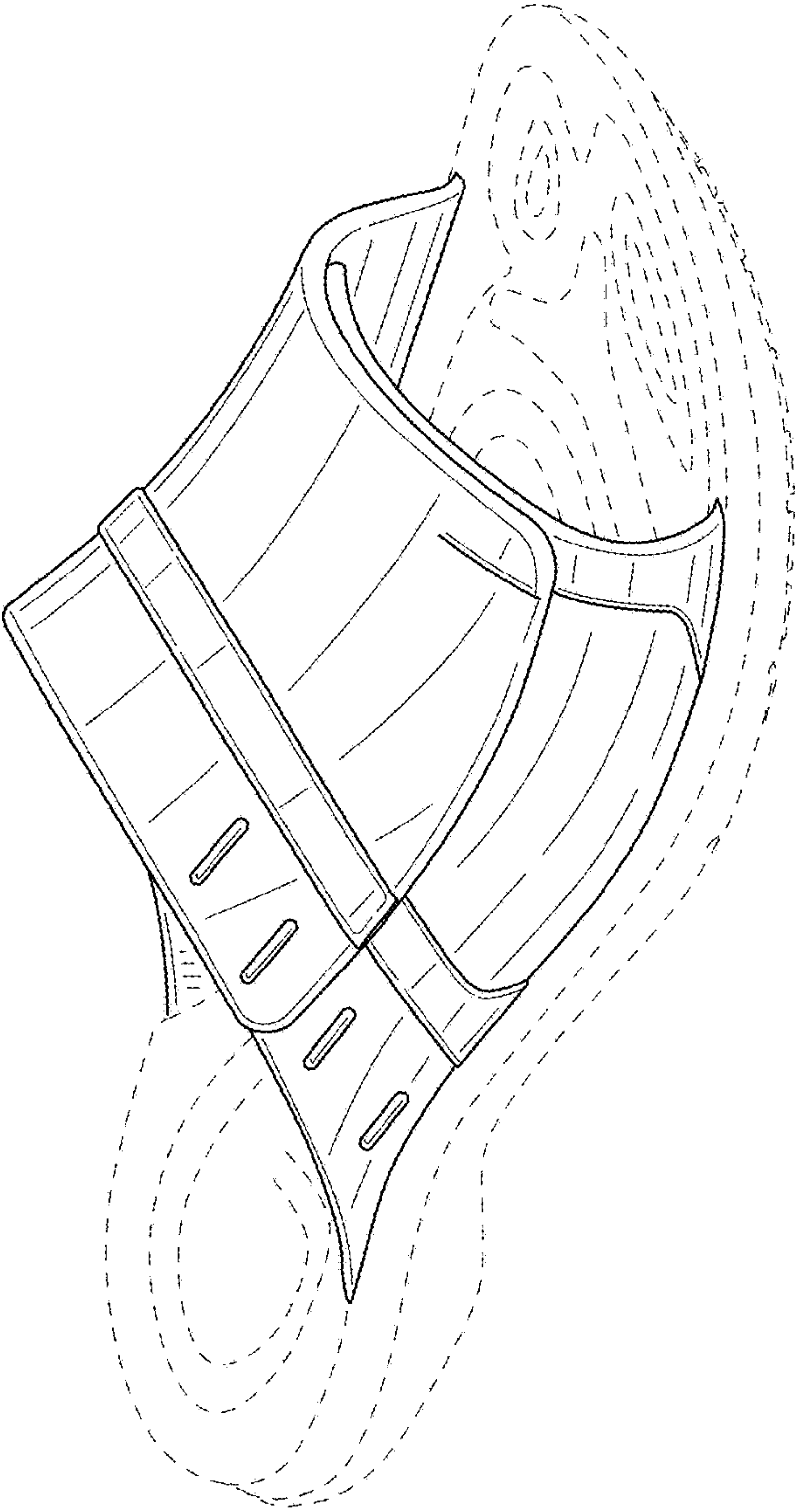


FIG.1

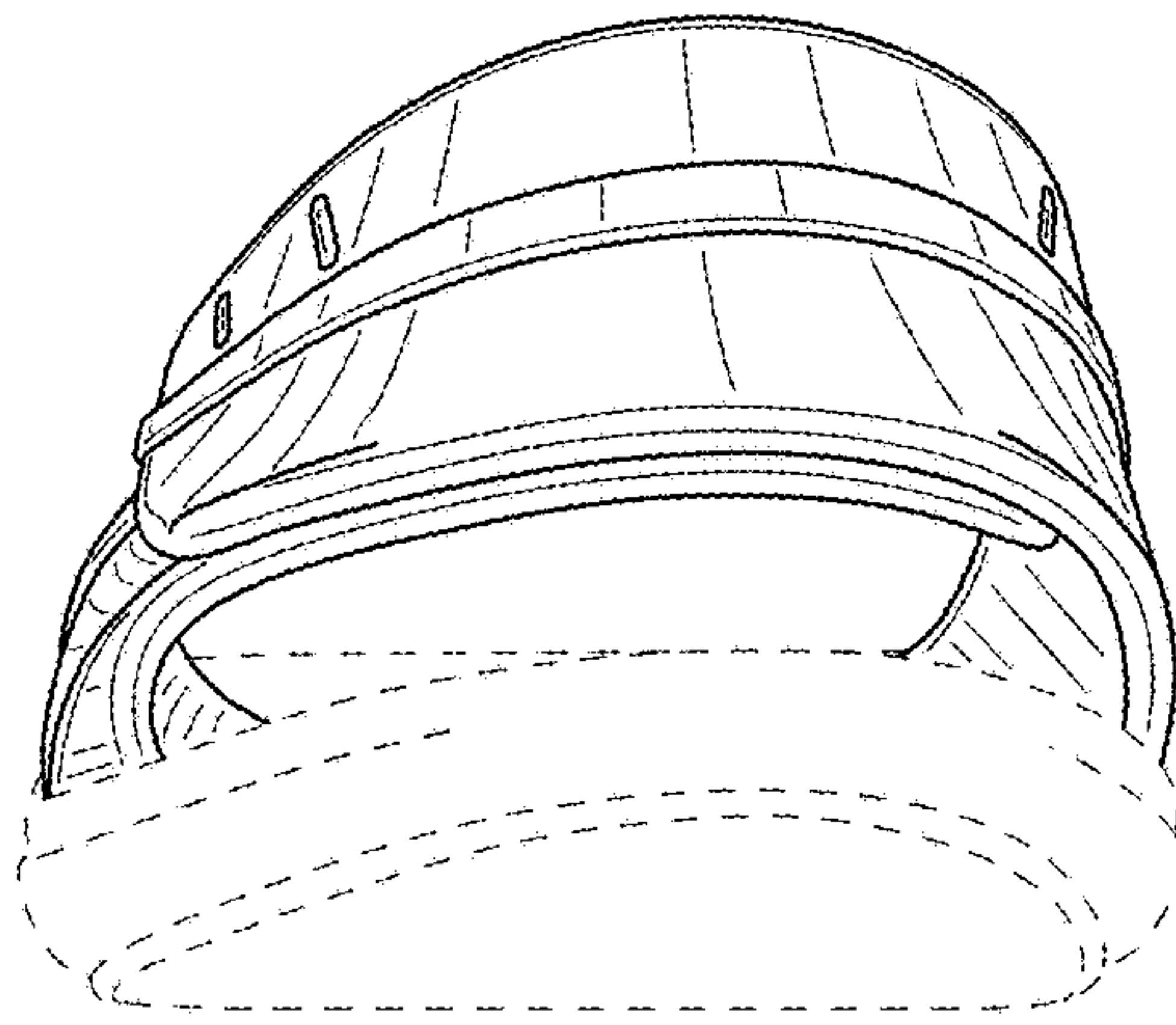


FIG.2

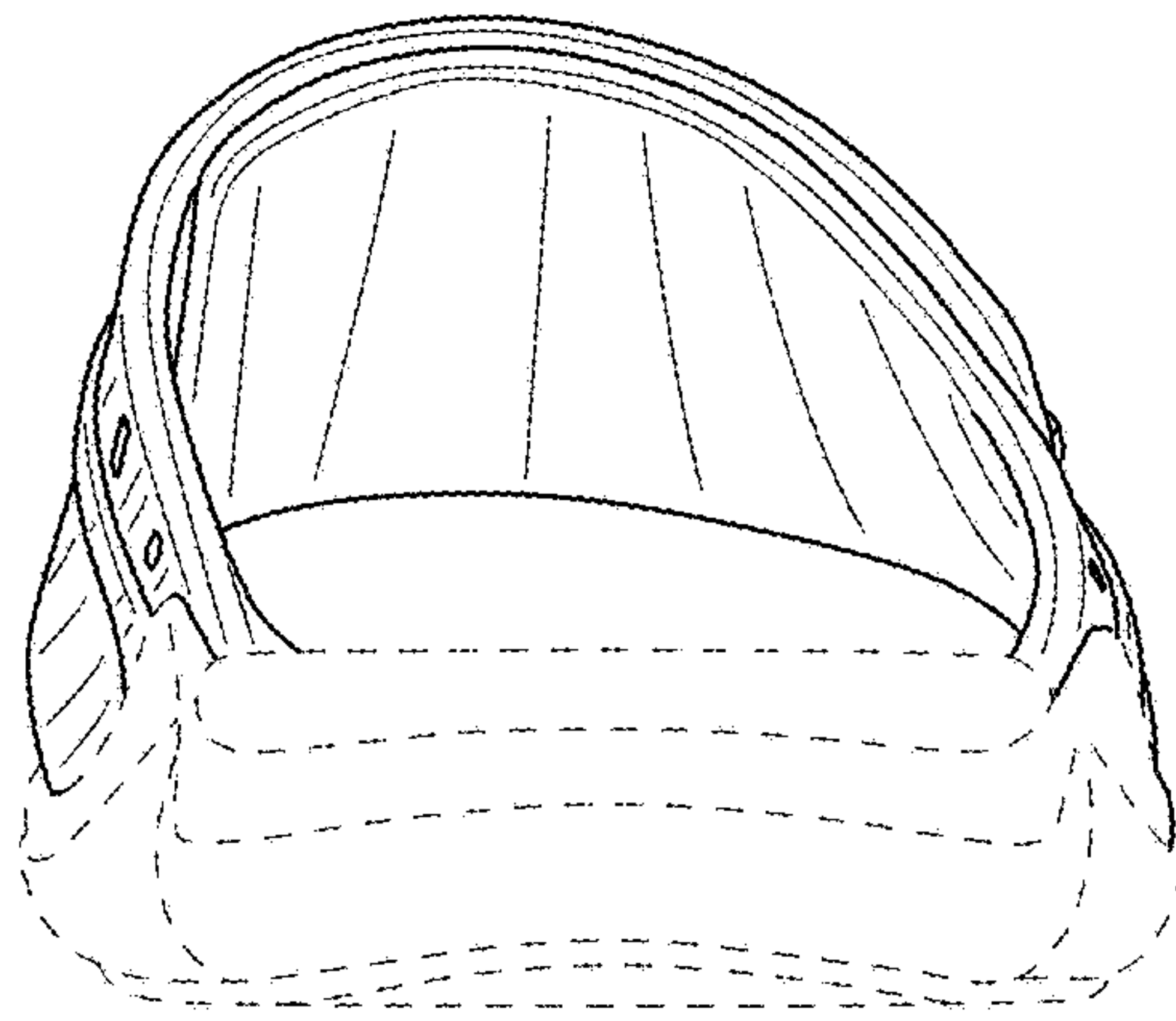


FIG.3

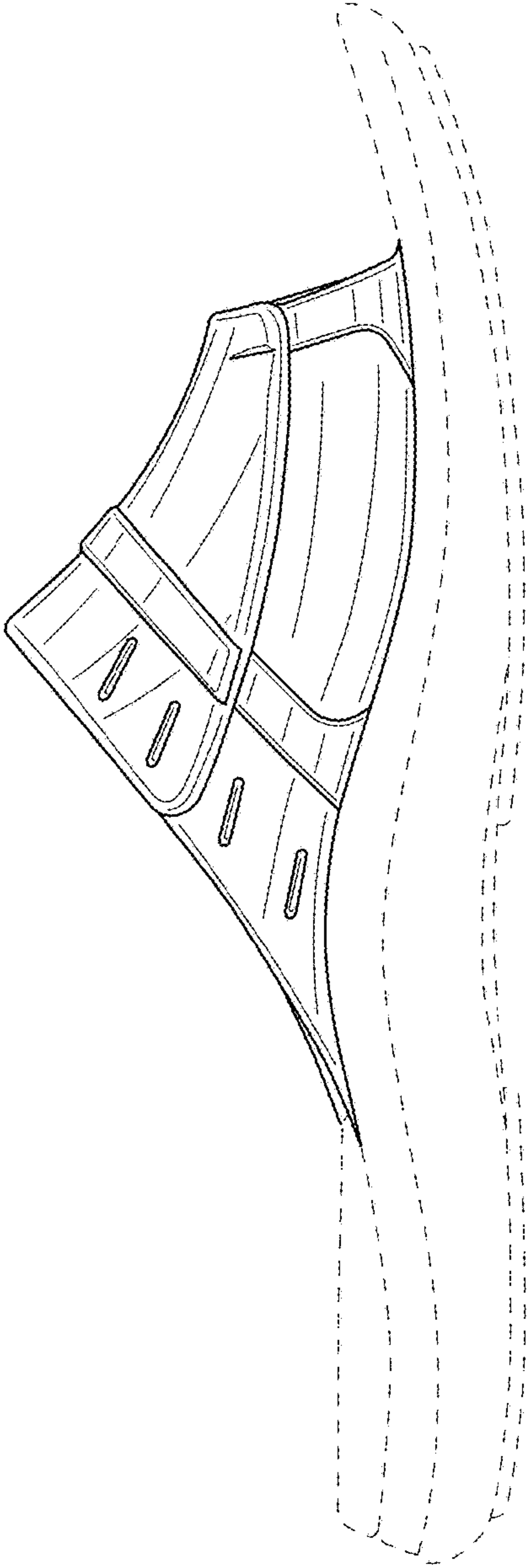


FIG. 4



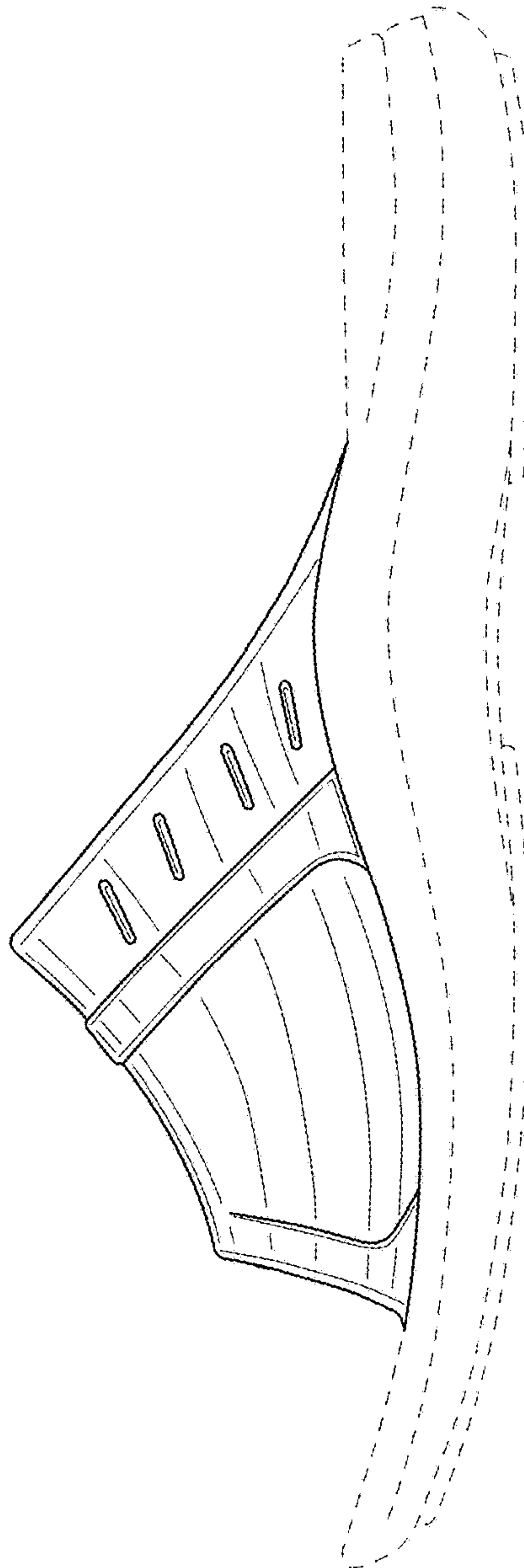


FIG.5

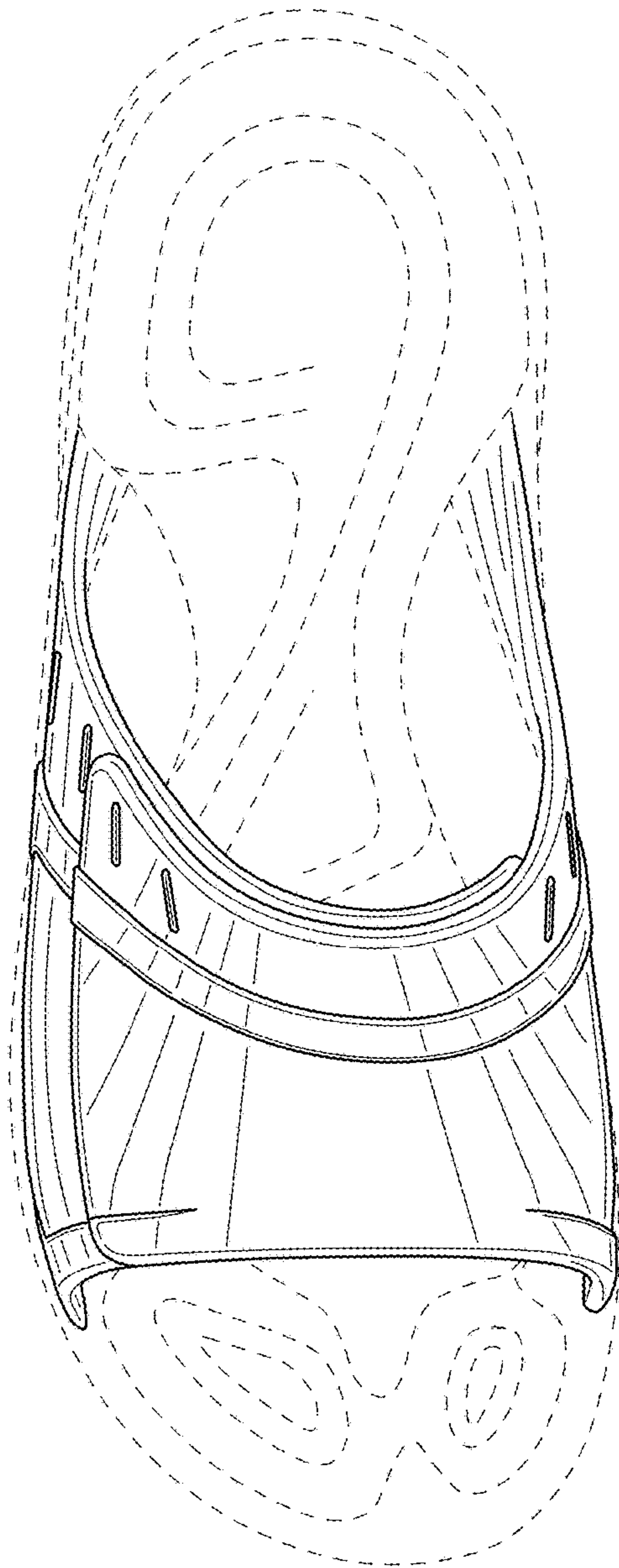


FIG. 6



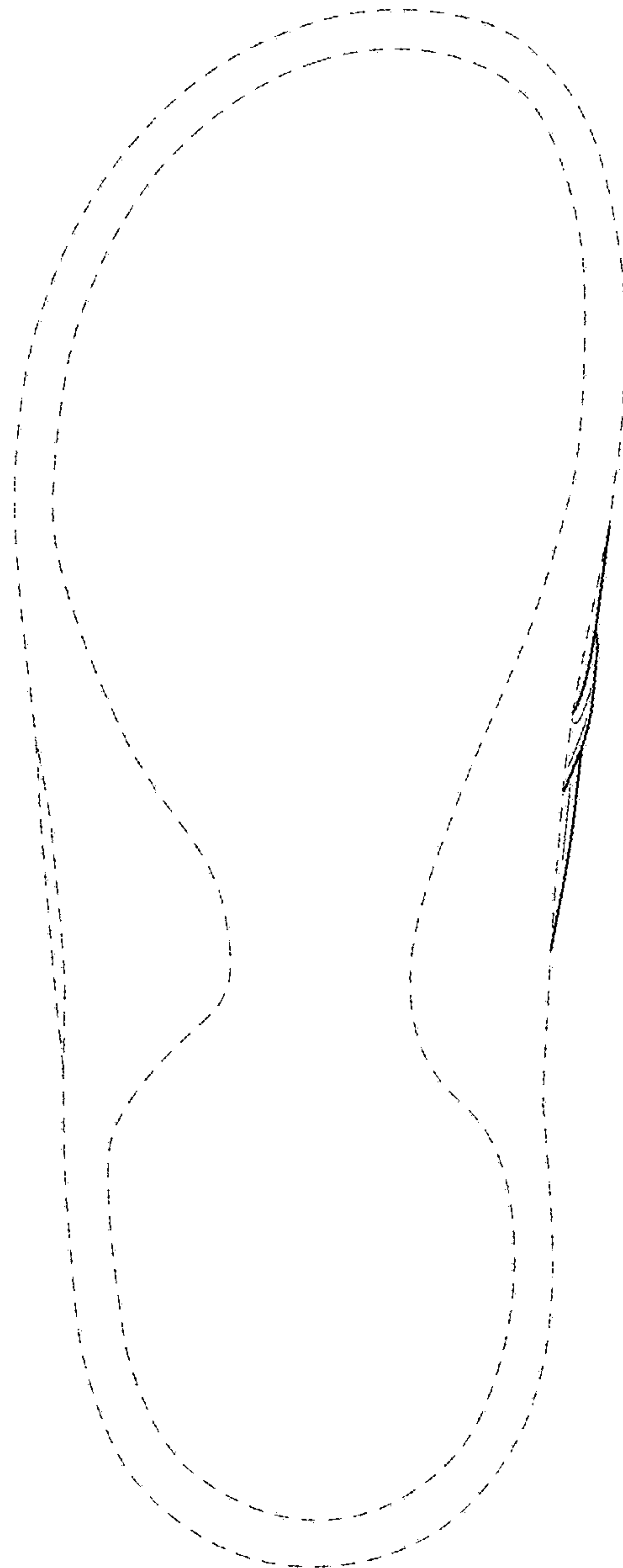


FIG.7