

US00D846853S

(12) **United States Design Patent** (10) **Patent No.:** **US D846,853 S**
Loving et al. (45) **Date of Patent:** **** Apr. 30, 2019**

- (54) **INSOLE**
- (71) Applicant: **STABLE STEP LLC**, Wadsworth, OH (US)
- (72) Inventors: **Stephanie K. Loving**, Smithville, OH (US); **Steven W. Hodge**, Akron, OH (US)
- (73) Assignee: **STABLE STEP LLC**, Wadsworth, OH (US)
- (**) Term: **15 Years**
- (21) Appl. No.: **29/631,048**
- (22) Filed: **Dec. 27, 2017**
- (51) **LOC (11) Cl.** **02-04**
- (52) **U.S. Cl.**
USPC **D2/961**
- (58) **Field of Classification Search**
USPC D2/896, 961, 968, 946, 947, 949, 950, D2/951, 953, 954, 955, 956, 960; D24/124, 126; 36/43, 44
CPC A43B 19/00; A43B 19/005; A43B 17/14; A43B 17/02; A43B 17/03; A43B 17/00; A43B 17/18; A43B 17/006; A43B 13/14; A43B 13/00; A43B 13/42; A43B 7/149; A43B 7/14; A43B 9/125
See application file for complete search history.

- D689,276 S * 9/2013 Klein D2/961
- D797,428 S * 9/2017 Granger D2/961
- D797,429 S * 9/2017 Granger D2/961
- D820,572 S * 6/2018 Buck D2/961
- D823,587 S * 7/2018 Lin D2/961
- D827,998 S * 9/2018 Buck D2/961
- 2011/0072685 A1 * 3/2011 Gutowsky, Jr. A43B 7/142 36/44

* cited by examiner

Primary Examiner — Elizabeth J Oswecki
(74) *Attorney, Agent, or Firm* — Renner, Kenner, Greive, Bobak, Taylor & Weber

(57) **CLAIM**

The ornamental design for an insole, as shown and described.

DESCRIPTION

FIG. 1 is a top, front, left side perspective view of an insole for a right foot showing our new design; FIG. 2 is a bottom, rear, left side perspective view thereof; FIG. 3 is a top plan view thereof; FIG. 4 is a bottom plan view thereof; FIG. 5 is a right side elevational view thereof; FIG. 6 is a left side elevational view thereof; FIG. 7 is a front side elevational view thereof; FIG. 8 is a rear side elevational view thereof; FIG. 9 is a cross sectional view taken along line 9-9 of FIG. 4; and, FIG. 10 is a cross sectional view taken along line 10-10 of FIG. 4.

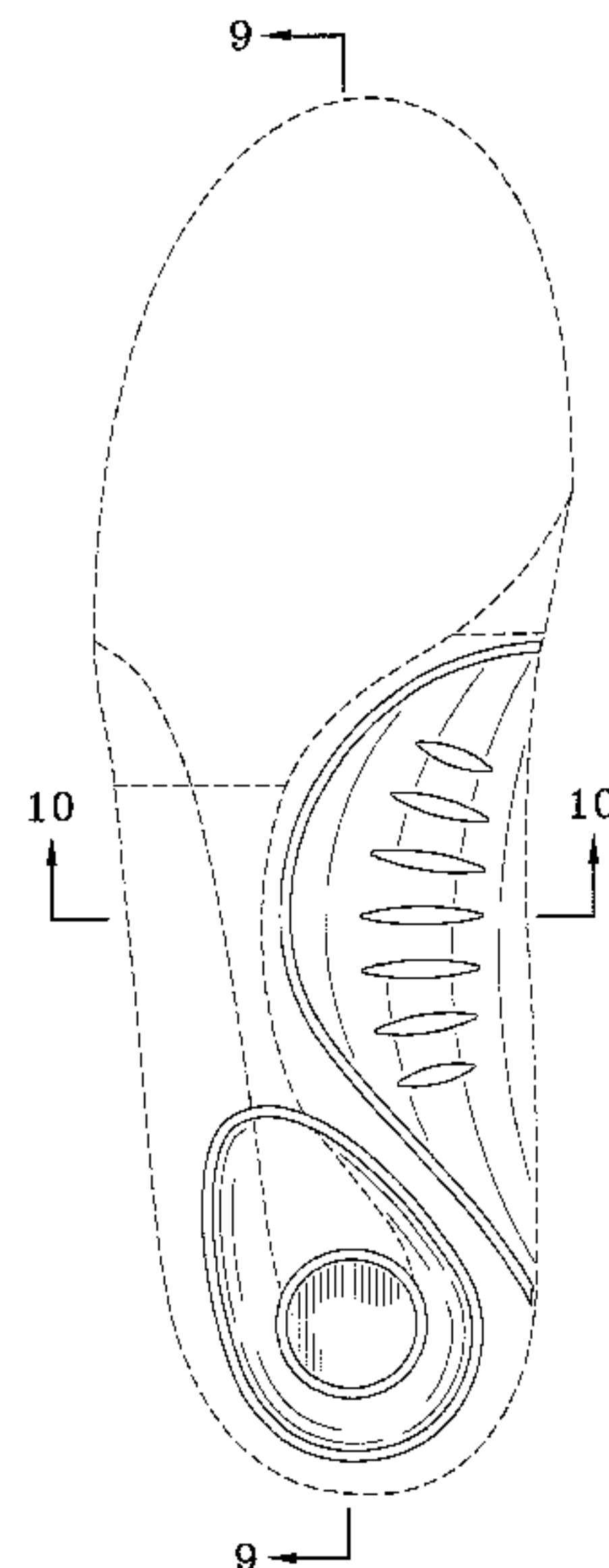
The design for a left foot insole is the mirror image of the right foot insole shown in FIGS. 1-10. The surface area between the broken lines on the heel pad of the insole forms no part of the claimed design. The broken lines are for environmental purposes and form no part of the claimed design.

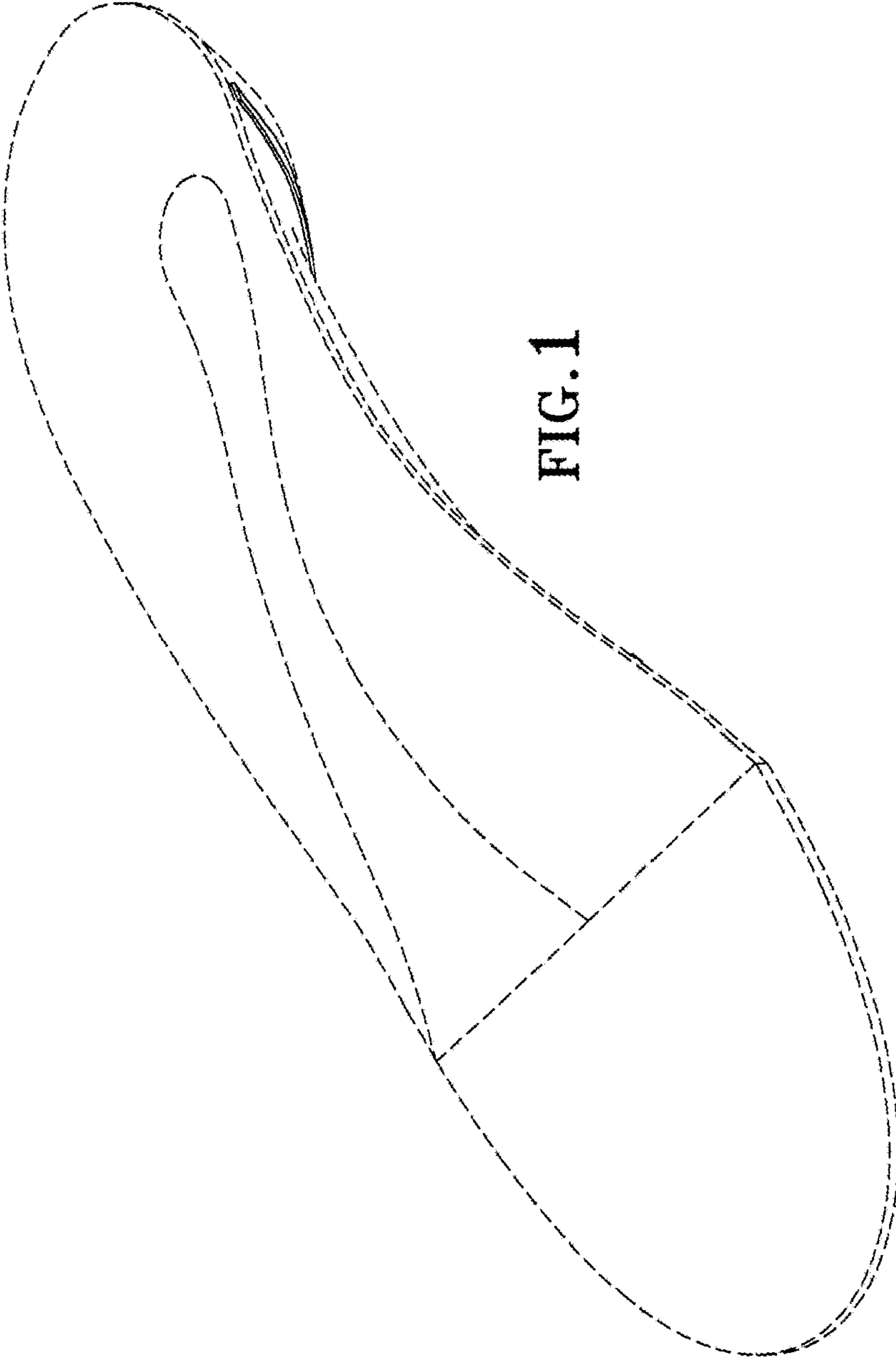
1 Claim, 5 Drawing Sheets

(56) **References Cited**

U.S. PATENT DOCUMENTS

- D555,341 S * 11/2007 Vasyli D2/961
- D602,238 S * 10/2009 Avent D2/961
- D617,086 S * 6/2010 Avent D2/961
- D676,637 S * 2/2013 Hane D2/954
- D681,321 S * 5/2013 Martinez D2/961





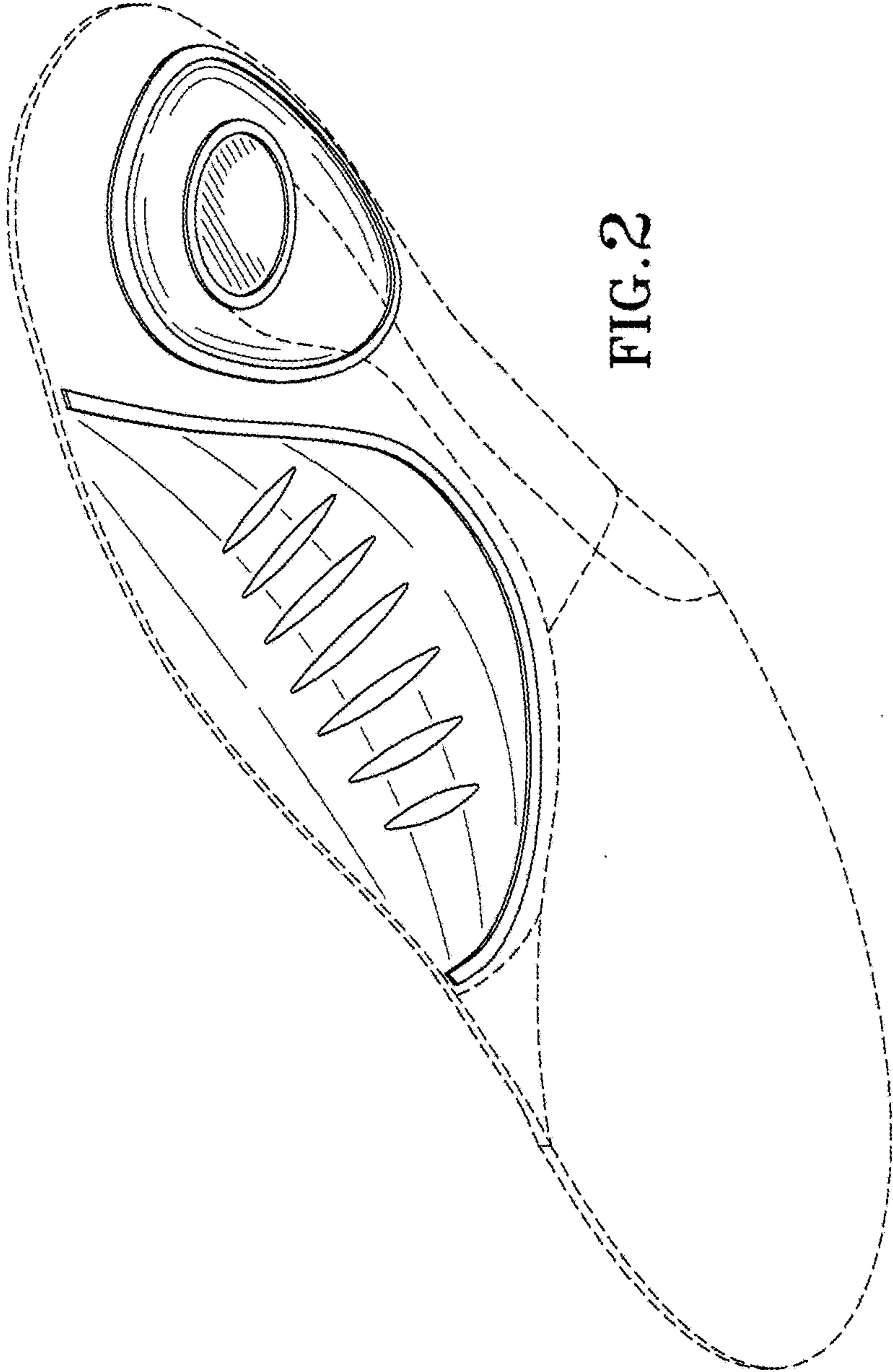


FIG. 2

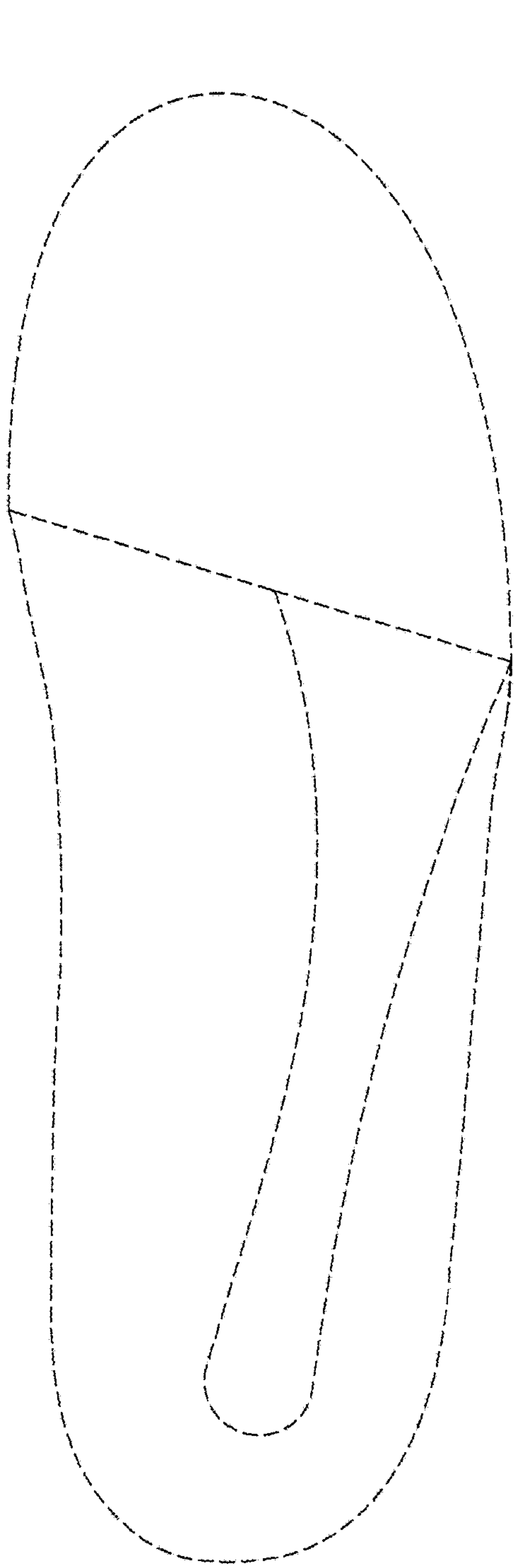


FIG. 3

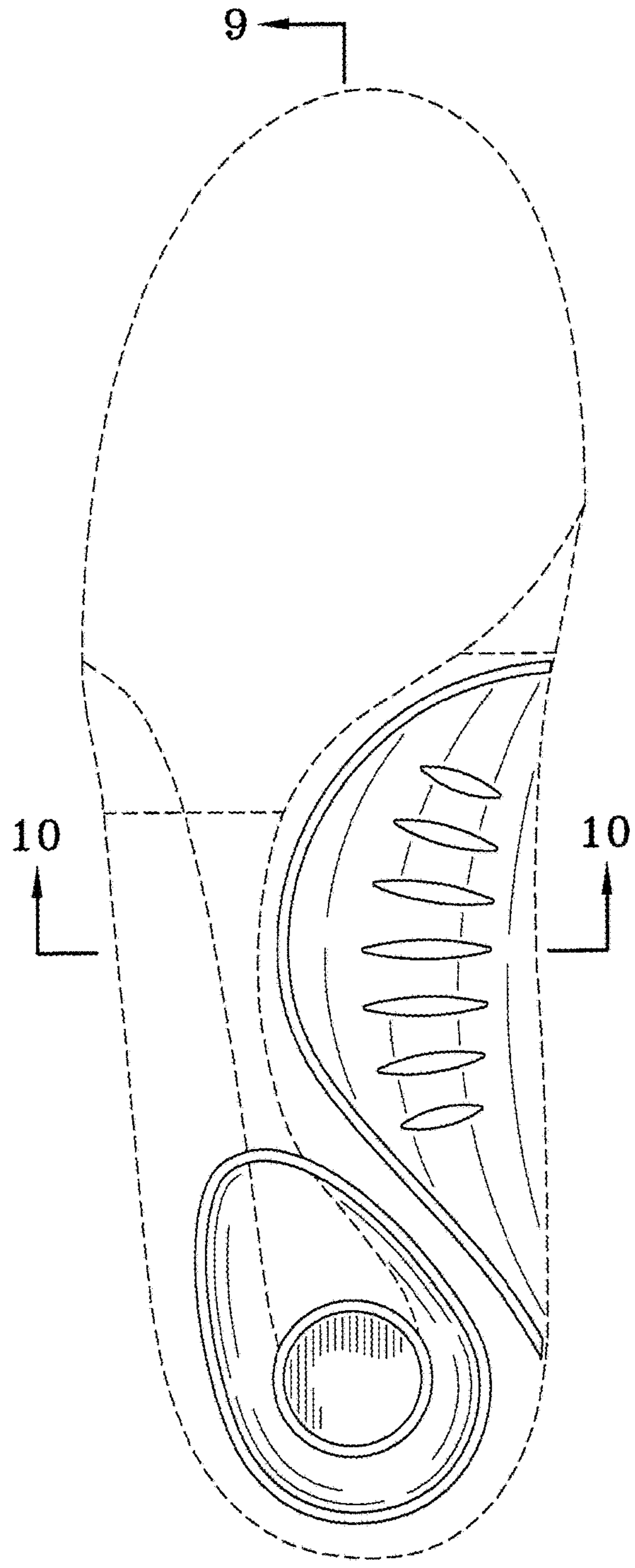


FIG. 4

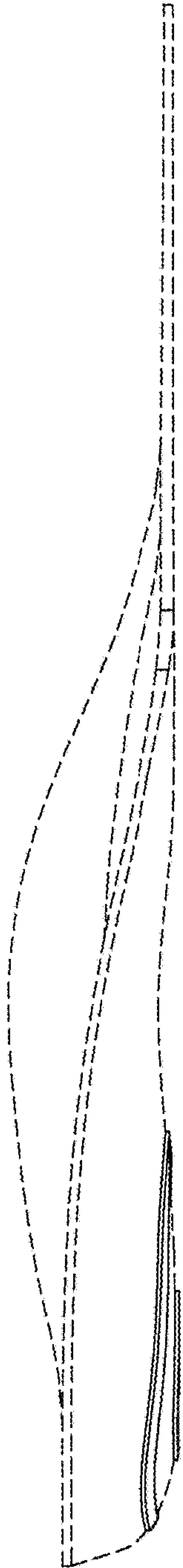


FIG. 5

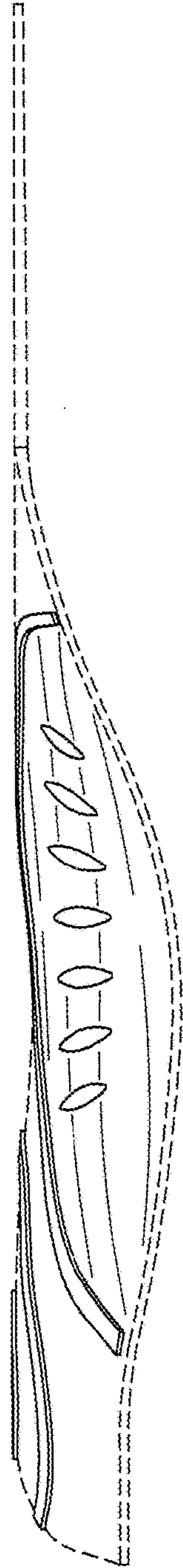


FIG. 6

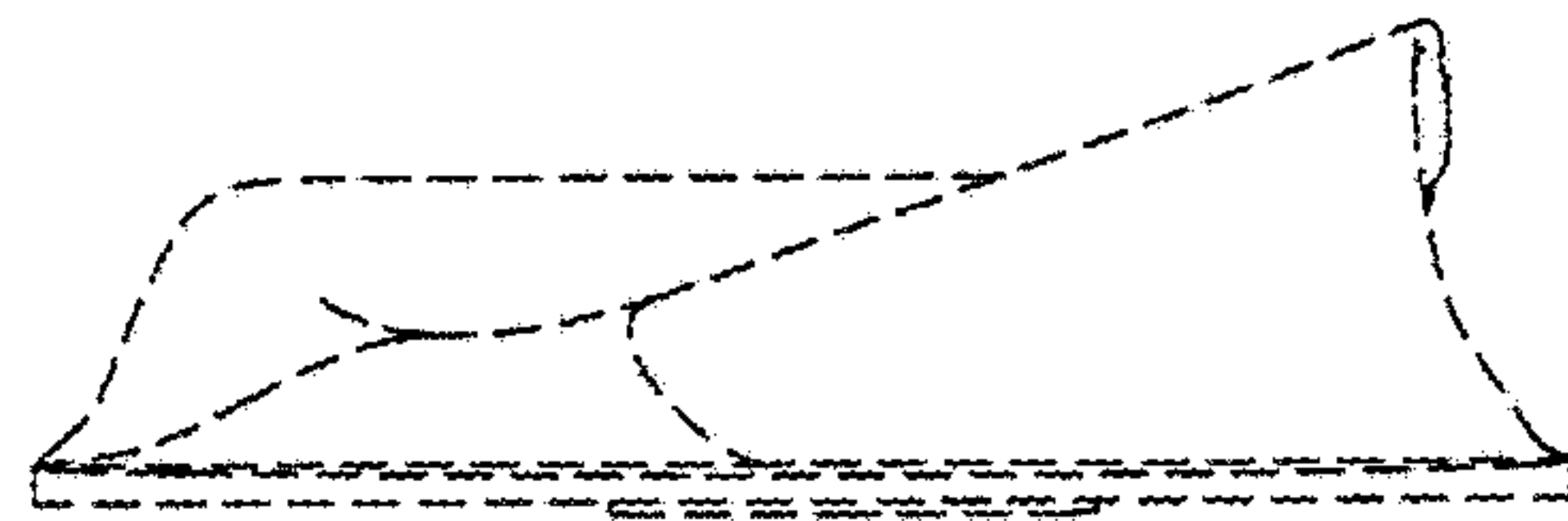


FIG. 7

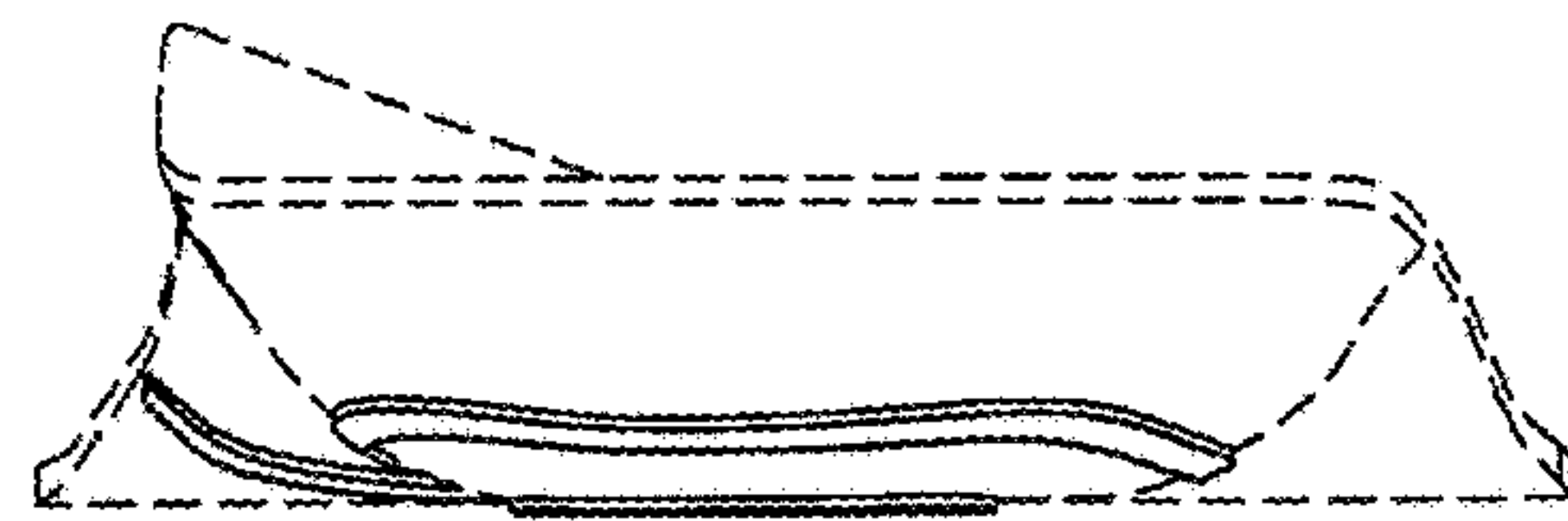


FIG. 8



FIG. 9

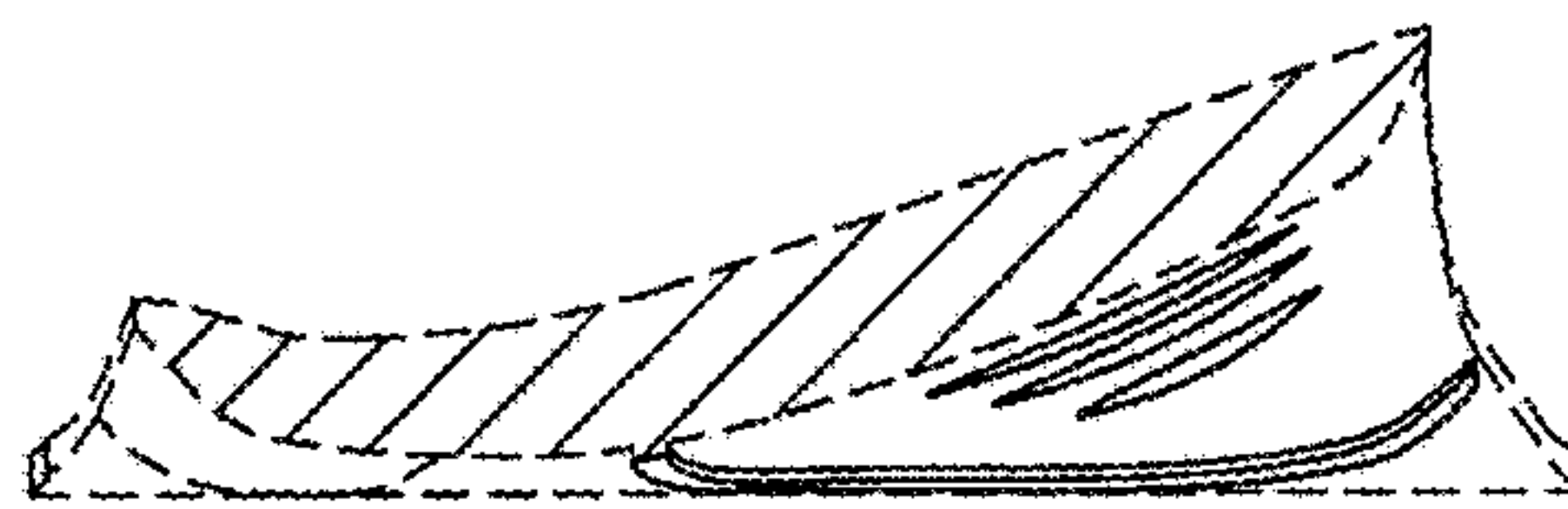


FIG. 10