



US00D846846S

(12) **United States Design Patent** (10) **Patent No.:** **US D846,846 S**
Gavrieli et al. (45) **Date of Patent:** **** Apr. 30, 2019**

(54) **SINGLE-SOLE SHOE WITH YELLOW SOLE**

(71) Applicant: **Gavrieli Brands LLC**, Beverly Hills, CA (US)

(72) Inventors: **Kfir Gavrieli**, Los Angeles, CA (US);
Dikla Gavrieli, Los Angeles, CA (US)

(73) Assignee: **Gavrieli Brands LLC**, Beverly Hills, CA (US)

(**) Term: **15 Years**

(21) Appl. No.: **29/655,791**

(22) Filed: **Jul. 6, 2018**

Related U.S. Application Data

(63) Continuation of application No. 29/574,397, filed on Aug. 15, 2016, now Pat. No. Des. 824,149, which is (Continued)

(51) **LOC (11) Cl.** **02-04**

(52) **U.S. Cl.**
USPC **D2/939**

(58) **Field of Classification Search**
USPC D2/896, 900, 919-921, 925, 939, 947, D2/950, 969, 971

(Continued)

(56) **References Cited**

U.S. PATENT DOCUMENTS

249,086 A 11/1881 Pienovi
773,850 A 11/1904 Cooper et al.

(Continued)

FOREIGN PATENT DOCUMENTS

DE 20 2006 000230 U1 5/2007
GB 2443937 A 5/2008

(Continued)

OTHER PUBLICATIONS

Examination Report for AU 341324, 3 pgs., dated Oct. 24, 2012. Letter from TMI and Associates with Office Action, 2 pgs, dated Sep. 19, 2012 <http://www.payless.com/store/?&TLC=Womens&SLC=WomensNewArrivals&BLC=WomensNewArrivalsNewArrivals&With+Regular&ItemCode=60131&LotNumber=062642&Type=Adult&Popularity=637&Descriptvein>.

(Continued)

Primary Examiner — Dominic V Simone

(74) *Attorney, Agent, or Firm* — Morgan, Lewis & Bockius LLP

(57) **CLAIM**

An ornamental design for a single-sole shoe with yellow sole, as shown and described.

DESCRIPTION

The file of this patent contains at least one drawing executed in color. Copies of this patent with color drawing(s) will be provided by the Office upon request and payment of the necessary fee.

FIG. 1 is a perspective view of an embodiment of our new design of a single-sole shoe with yellow sole;

FIG. 2 is a first side view of the design of FIG. 1;

FIG. 3 is a second side view of the design of FIG. 1;

FIG. 4 is a top view of the design of FIG. 1;

FIG. 5 is a bottom view of the design of FIG. 1;

FIG. 6 is a front view of the design of FIG. 1;

FIG. 7 is a back view of the design of FIG. 1;

FIG. 8 is a perspective view another embodiment of our new design of a single-sole shoe with yellow sole, where the yellow portions are indicated using the USPTO convention of vertical and horizontal cross-hatched lines for yellow or gold;

FIG. 9 is a first side view of the design of FIG. 8;

FIG. 10 is a second side view of the design of FIG. 8;

FIG. 11 is a top view of the design of FIG. 8;

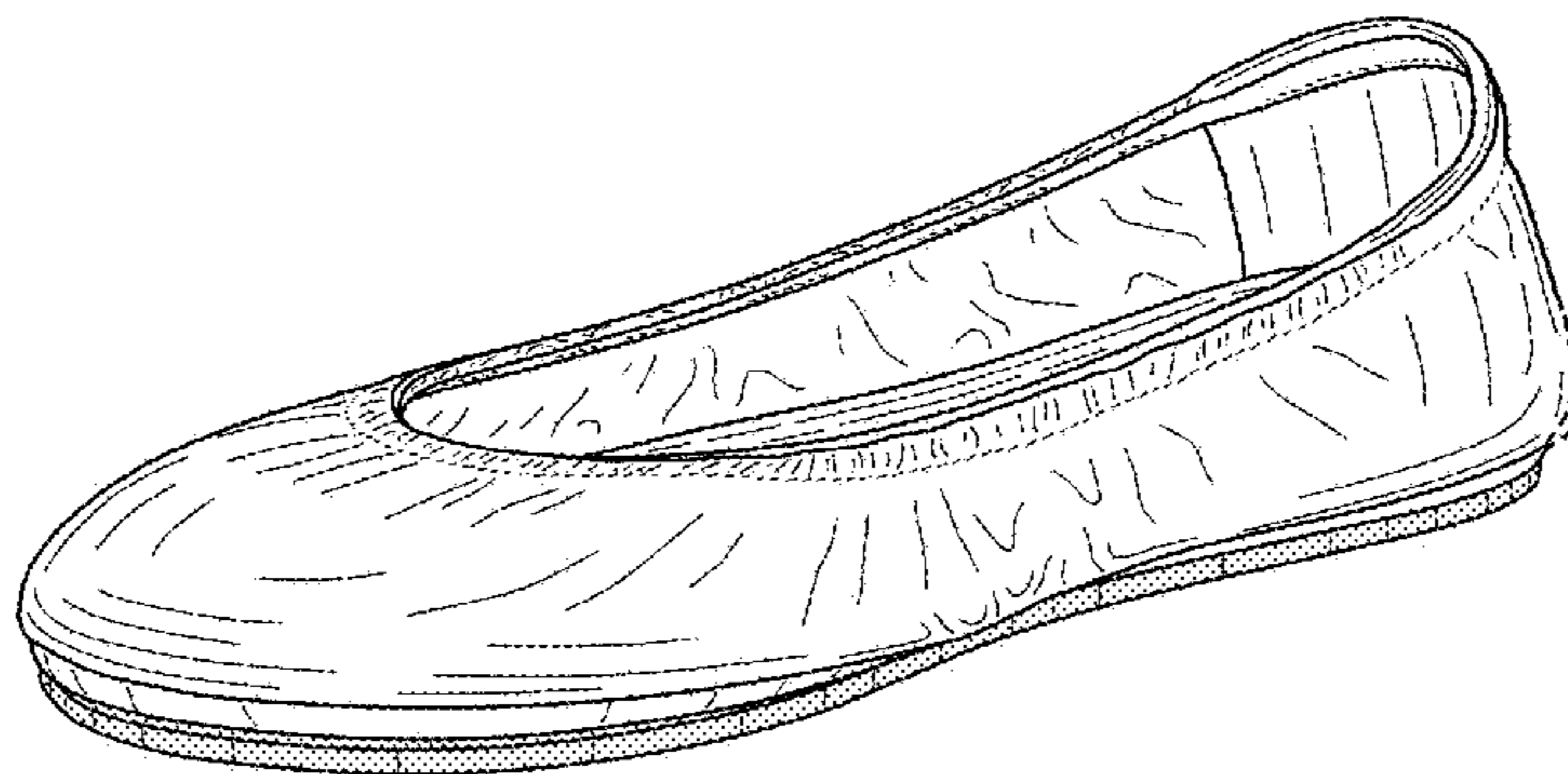
FIG. 12 is a bottom view of the design of FIG. 8;

FIG. 13 is a front view of the design of FIG. 8; and,

FIG. 14 is a back view of the design of FIG. 8.

The broken lines illustrating the channel on the yellow sole in the above described Figures are for illustrative purposes only and form no part of the claimed design.

1 Claim, 12 Drawing Sheets
(5 of 12 Drawing Sheet(s) Filed in Color)



Related U.S. Application Data

a continuation of application No. 29/489,779, filed on May 2, 2014, now Pat. No. Des. 763,556.

(58) **Field of Classification Search**

CPC A43B 21/00; A43B 21/02; A43B 21/06; A43B 9/14; A43B 1/0045; A43B 13/10; A43B 13/12; A43B 23/06; A43B 23/07; A43B 1/0036; A43B 5/12

See application file for complete search history.

(56) **References Cited**

U.S. PATENT DOCUMENTS

830,941 A 9/1906 Walden
 1,208,209 A 12/1916 Prince
 1,214,666 A 2/1917 Ford
 1,519,009 A 12/1924 Reina
 1,525,848 A * 2/1925 Bonaventure A43B 5/12
 36/113
 1,587,377 A 6/1926 Grosjean
 1,650,466 A 11/1927 Righter
 2,224,590 A 12/1940 Odilon
 2,268,777 A 1/1942 Scholl
 D133,819 S * 9/1942 Harris D2/939
 D135,791 S 6/1943 Beebe
 2,323,563 A 7/1943 Nugent
 2,342,882 A 2/1944 Meltzer
 D141,871 S 7/1945 Braun
 2,383,585 A 8/1945 Bindner
 D149,685 S * 5/1948 Sandler D2/935
 D150,729 S * 8/1948 Sandler D2/923
 D166,090 S * 3/1952 Maling D2/897
 2,772,488 A 12/1956 Meltzer
 2,904,814 A 9/1959 Scholl
 3,148,378 A 9/1964 Tibbitts
 D200,897 S * 4/1965 Mitchell D2/919
 D220,464 S 4/1971 Hayoshi
 D247,396 S * 3/1978 Schlerth D2/939
 4,412,393 A 11/1983 Terlizzi, Jr. et al.
 D275,525 S 9/1984 Nakao
 4,674,206 A 6/1987 Lyden
 D295,692 S * 5/1988 Zuidema D2/950
 D300,085 S 3/1989 Ito et al.
 RE33,018 E 8/1989 Ostrander
 4,899,412 A 2/1990 Ganon
 D316,773 S 5/1991 Valle
 5,012,541 A 5/1991 Ganon
 D339,669 S * 9/1993 Miller D2/919
 5,282,326 A 2/1994 Schroer, Jr. et al.
 5,421,050 A 6/1995 Laganas
 5,699,629 A 12/1997 Munschy
 5,746,014 A 5/1998 Tanemoto
 D420,785 S 2/2000 Perez
 6,055,745 A 5/2000 Endoh
 6,076,284 A 6/2000 Terlizzi
 6,189,239 B1 2/2001 Gasparovic et al.
 6,338,207 B1 1/2002 Chang
 D457,292 S * 5/2002 Sessa D2/949
 D461,947 S 8/2002 Merceron
 6,588,124 B2 6/2003 Morrone
 D476,798 S 7/2003 Reynolds et al.
 D498,041 S 11/2004 McClaskie
 D500,191 S * 12/2004 Belley D2/969
 D501,706 S 2/2005 McClaskie
 6,857,203 B2 2/2005 Minden
 6,895,693 B2 5/2005 Baruck
 6,978,557 B2 12/2005 Lee
 7,032,327 B1 4/2006 Tartaglia et al.
 7,036,244 B1 5/2006 Finch
 D527,513 S 9/2006 Della Valle
 D529,513 S * 10/2006 Aketa D15/5
 D531,790 S 11/2006 Wurzburg
 D534,341 S * 1/2007 Choi D2/896
 D542,513 S 5/2007 Amado et al.
 D556,990 S 12/2007 Cabados

7,337,558 B2 3/2008 Terlizzi et al.
 D567,485 S 4/2008 James
 D570,488 S 6/2008 Kirksey et al.
 D571,084 S 6/2008 Comeau
 D571,548 S 6/2008 Seamans
 D571,989 S 7/2008 Siegal
 D580,640 S 11/2008 Wurzburg
 D582,638 S 12/2008 Ringholz
 7,496,982 B2 3/2009 Clark et al.
 7,506,459 B2 3/2009 Grisoni et al.
 D591,031 S 4/2009 Cofinco
 D593,295 S * 6/2009 Belley D2/969
 D593,297 S * 6/2009 Belley D2/969
 D593,307 S * 6/2009 Belley D2/969
 D599,093 S * 9/2009 Issler D2/925
 D604,030 S 11/2009 Wilson
 D607,194 S 1/2010 Zagula
 D610,332 S 2/2010 Raichle
 D610,785 S 3/2010 Smith
 D612,140 S 3/2010 Moon
 D612,141 S 3/2010 Moon
 7,694,435 B1 4/2010 Kiser et al.
 D615,737 S 5/2010 Feller
 7,735,244 B1 6/2010 Ameche
 7,743,530 B2 6/2010 Truelsen
 D618,891 S 7/2010 McClaskie
 7,757,408 B2 7/2010 McClaskie
 D630,829 S 1/2011 Weisner
 D632,881 S 2/2011 Rosenberg
 7,926,203 B2 4/2011 Wilkenfeld
 7,966,747 B2 6/2011 Wilkenfeld et al.
 D640,861 S 7/2011 Wilkenfeld
 8,020,320 B2 9/2011 Gillespie
 8,127,468 B2 3/2012 Morgan
 D657,543 S 4/2012 Bove
 D659,960 S 5/2012 Bizzo
 8,230,619 B2 7/2012 Salvatelli
 D664,755 S 8/2012 Gavrieli et al.
 D665,157 S 8/2012 Wu
 8,240,067 B2 8/2012 Sussmann
 8,245,420 B2 8/2012 Wilson
 D668,027 S 10/2012 Millieret
 D668,438 S 10/2012 Millieret
 D668,847 S * 10/2012 Gavrieli D2/925
 D668,848 S * 10/2012 Gavrieli D2/925
 D668,849 S 10/2012 Pozzi
 D668,850 S 10/2012 Pozzi
 D672,542 S 12/2012 Gray et al.
 D676,634 S * 2/2013 Gavrieli D2/925
 D681,927 S * 5/2013 Gavrieli D2/925
 D681,928 S * 5/2013 Gavrieli D2/925
 D681,929 S * 5/2013 Gavrieli A43B 3/248
 D2/939
 D683,936 S * 6/2013 Gavrieli D2/925
 8,468,723 B2 6/2013 Malka-Harari
 D686,812 S 7/2013 Kfir Gavrieli et al.
 8,510,975 B2 8/2013 Krikelis
 D688,853 S * 9/2013 Gavrieli A43B 3/248
 D2/939
 D688,854 S * 9/2013 Gavrieli A43B 3/248
 D2/939
 D688,855 S * 9/2013 Gavrieli A43B 3/248
 D2/939
 D689,270 S * 9/2013 Gavrieli A43B 3/248
 D2/939
 D689,271 S * 9/2013 Gavrieli A43B 3/248
 D2/939
 D689,272 S * 9/2013 Gavrieli A43B 3/248
 D2/939
 D690,914 S * 10/2013 Gavrieli A43B 3/248
 D2/939
 D690,915 S * 10/2013 Gavrieli A43B 3/248
 D2/939
 D696,500 S 12/2013 Hunt
 D699,424 S 2/2014 Hamm
 8,661,714 B2 3/2014 Sussmann
 8,745,893 B2 6/2014 Kfir Gavrieli et al.
 8,973,287 B2 3/2015 Shibata

(56)

References Cited

U.S. PATENT DOCUMENTS

D763,556	S *	8/2016	Gavrieli	D2/939
D824,149	S *	7/2018	Gavrieli	D2/939
2002/0078591	A1	6/2002	Morrone		
2002/0129519	A1	9/2002	Cahan		
2003/0070319	A1	4/2003	Minden		
2003/0121176	A1	7/2003	Baruck		
2004/0025377	A1	2/2004	Brannon		
2005/0022421	A1	2/2005	Bruckner		
2005/0115115	A1	6/2005	Lacey		
2005/0217148	A1	10/2005	Connolly et al.		
2005/0262734	A1	12/2005	Cheng		
2006/0086005	A1	4/2006	Yerian		
2006/0156576	A1	7/2006	Sloan		
2007/0074424	A1	4/2007	Lin		
2007/0204482	A1	9/2007	Gibson-Collinson		
2007/0204483	A1	9/2007	Kirsch et al.		
2008/0052964	A1	3/2008	Taylor		
2008/0086912	A1	4/2008	Wilkenfeld		
2008/0110059	A1	5/2008	Kuramoto et al.		
2009/0019732	A1	1/2009	Sussmann		
2009/0193685	A1	8/2009	Wilson		
2009/0205222	A1	8/2009	Mclinden		
2009/0272009	A1	11/2009	Weisner et al.		
2010/0011625	A1	1/2010	Percival		
2010/0018080	A1	1/2010	Smith		
2010/0050469	A1	3/2010	Chen		
2010/0095557	A1	4/2010	Jarvis		
2010/0115793	A1	5/2010	Kraisosky		
2010/0122475	A1	5/2010	Purrington		
2010/0146822	A1	6/2010	MacGregor		
2010/0212186	A1	8/2010	Cheng		
2010/0275462	A1	11/2010	Pucci		
2010/0281713	A1	11/2010	Pantazes		
2015/0089843	A1	4/2015	Gavrieli		

FOREIGN PATENT DOCUMENTS

GB	2 446 205 A	8/2008
TW	D119165	10/2007

OTHER PUBLICATIONS

Taiwanese Office Action for TW 101300726, 10 pgs., dated Sep. 6, 2012.

“The Love List, Ticks by Gavrieli—Foldable Ballet Flats,” <http://thelovelist-carly.blogspot.com.au/2010/09/ticks-by-gavrieli-foldable-ballet.html>, 2 pgs., Sep. 12, 2010.

“Ticks by Gavrieli,” <http://ticks.com>, 1 pg., retrieved Mar. 13, 2013 from URL.

“Try It Mummy!, Ticks by Gavrieli,” <http://tryitmummy.blogspot.com.au/2010/12/ticks-by-gavrieli.html>, 3 pgs., Dec. 9, 2010.

“Wearability—Real People Style, What came first, the City Flat or the Ticks,” <http://wearability.posterous.com/what-came-first-the-city-flat-or-the-ticks>, 2 pgs., Aug. 29, 2010.

“The Ballet Flat . . . Reinvented; Ballet Flats . . . with a Bonus; Step Into Ticks; Going Places? Take Ticks,” <http://web.archive.org/web/2010052004346/http://www.ticks.com/>; 4 pgs., May 24, 2010.

“Ticks—Comfortable designer flats you can fit in your purse and wear all day, every day,” <http://web.archive.org/web/20110731151555/http://ticks.com/>; 6 pgs., Jul. 31, 2011.

“58th Annual Emmy Awards,” http://spoonsforkandfashion.blogspot.com/2006_08_01_archive.html, depicting Nine West flats, 2 pgs., Aug. 1, 2006.

Pictures of Nine West flats sold in 2006, 3 pgs.

“I Love a Good Ballet Flat!,” <http://dressupfiles.com/i-love-a-good-ballet-flat>, depicting Sue London flats, 3 pgs., Sep. 3, 2010.

Pictures of Sue London flats sold in 2010, 2 pgs.

“Miss Cathie Reviews: The Yosi Samra Foldable Ballet Flat . . .,” <http://www.misscathie.com/2010/01/miss-cathie-reviews-the-yosi-samra-foldable-ballet-flat/>, depicting Yosi Samra flats, 9 pgs., Jan. 2010.

Pictures of Yosi Samra flats sold in 2010, 2 pgs.

“Goodbye two thousand ten,” http://emmajoyrussell.blogspot.com/2010_12_01_archive.html, depicting Gap flats, 39 pgs., Dec. 1, 2010.

Pictures of Gap flats available for sale in 2010, 9 pgs.

“Our newest design of folding flats—Pink,” <https://fitinclouds.wordpress.com/2010/05/16/our-newest-design-of-folding-flats-pink/>, depicting Fit in Clouds flats, 1 pg., May 16, 2010.

“Fit in Clouds Satin Folding Shoes,” <http://www.goodhousekeeping.com/product-reviews/clothing/best-ballet-flats/fit-in-clouds-satin-foldable-ballet-flats>, depicting Fit in Clouds flats, 2 pg., Aug. 2013. Pictures of Fit in Clouds flats available for sale in 2011, 4 pgs.

“Shoes for Standing,” <http://truthinshoes.wordpress.com/2008/07/>, depicting Sam & Libby flats, 2 pgs., Jul. 31, 2008.

“Target Designer Collaboration: Announcing Sam & Libby Shoes for Target,” <http://www.therecessionista.com/2012/11/target-designer-collaboration-announcing-sam-libby-shoes-for-target.html>, depicting Sam & Libby flats, 1 pg., Nov. 26, 2012.

Pictures of Sam & Libby flats available for purchase in 2011, 5 pgs. “Save your soles with Citisoles ballet flats,” <http://glamazondiaries.com/2009/07/save-your-soles-with-citisoles-ballet-flats>, depicting Citisoles flats, 3 pgs., Jul. 2009.

Pictures of Citisoles flats available for purchase in 2009, 3 pgs.

“#16 Corso Como Delicious Pumps Review and Giveaway!,” <http://www.mommatoldmeblog.com/2011/01/16-corso-como-delicious-pumps-review.html>, depicting Corso Como flats, 8 pgs., Jan. 16, 2011.

Pictures of Corso Como flats available for sale in 2011, 3 pgs.

“jil-sander-navy-lead-ballet-flats-product . . .,” www.ebay.com, depicting Jil Sander flats, 4 pgs., Nov. 2013.

Pictures of Jil Sander flats available for sale in 2011, 3 pgs.

“Spare Soles: Shoes That Roll-up & Fold-up,” <http://herpackinglist.com/2011/01/spare-soles-shoes/>, depicting Spare Soles flats, 2 pgs., Jan. 2011.

Pictures of Spare Soles flats available for sale in 2011, 5 pgs.

Pictures of Roll-Upz by Spare Soles flats available for sale in 2011, 6 pgs.

“The Cutest Blog, Preppy 50 and Loving Lilly, Ballet Flat Delight,” <http://preppy50andlovinglilly.blogspot.com/2011/02/ballet-flat-delight.html>, depicting Henri Bendel flats, 1 pg., Feb. 19, 2011.

Pictures of Henri Bendel flats available for sale in 2011, 4 pgs.

“Mumsnet by parents for parents,” http://www.mumsnet.com/Talk/style_and_beauty/a1612000-Anyone-tried-Redfoot-Flatmates-foldable-ballet-pumps, depicting Redfoot Flatmates flats, 1 pg., Nov. 14, 2012.

Pictures of Redfoot Flatmates flats available for sale in 2011, 6 pgs.

“Amazon.com: Customer Reviews: Bloch London Women’s Lux Ballet Flat,” <http://www.amazon.com/Bloch-London-Womens-Ballet-Flat/product-reviews/B004LWP7YW>, depicting Bloch London flats, 4 pgs., Dec. 11, 2011.

Pictures of Bloch London flats offered for sale in 2011, 11 pgs.

“h&m foldable leopard print flat,” <https://8485shops.wordpress.com/2011/06/16/flats-for-7-bucks/shoe1/>, depicting h&m flats, 2 pgs., Jun. 16, 2011.

Pictures of h&m foldable flats offered for sale in 2011, 4 pgs.

“Seekyt—Juicy Couture Ballet Flats—Are They Worth the Money?,” <http://seekyt.com/juicy-couture-ballet-flats-are-they-worth-the-money/>, 2 pgs., Jun. 3, 2011.

Pictures of Juicy Couture flats offered for sale in 2011, 3 pgs.

“Purse Flats,” <http://purseflats.wordpress.com>, depicting Purse Flats by Erica Wilson, 3 pgs., Jul. 12, 2012.

Pictures of Purse Flats by Erica Wilson offered for sale in 2011, 6 pgs.

“Ticks by Gavrieli—Comfortable, designer flats you can fit in your purse and wear all day . . .,” <http://web.archive.org/web/20110202210649/http://www.ticks.com/>, 8 pgs., Feb. 2, 2011.

“Carolina M. M. Gonzalez > Ticks by Gavrieli,” http://m2.facebook.com/Ticks?v=timeline&filter=2&timecutoff=1406427986&page=17§ionLoadingID=m_timeline_loading_div_1293868799_1262332800_8_17&timeend=1293868799×tart=1262332800&tm=AQDOvqhWQPN_Nbwm&refid=17, 1 pg., Jan. 26, 2010.

(56)

References Cited

OTHER PUBLICATIONS

“The Shoes Oprah Would Wear to Work (if She Had to Walk),” <http://www.inc.com/30under30/christina-desmarais/kfir-gavrieli-and-elram-gavrieli-founders-of-tieks.html>, 2 pgs., Jul. 2, 2012.

“Tieks by Gavrieli,” http://m2.facebook.com/Tieks?v=timeline&filter=2&timecutoff=1406427986&page=14§ionLoadingID=m_timeline_loading_div_1293868799_1262332800_8_14&timeend=1293868799×tart=1262332800&tm=AQDOvqhWQPN_Nbwm&refid=17, 4 pgs., Jan. 26, 2010.

“Mighty Life List, Sensible Shoes,” <http://mightygirl.com/2010/08/24/sensible-shoes/>, 11 pgs., Aug. 24, 2010.

“Find! Tieks: Fab & sexy flats for fall,” <http://thefabmom.com/2013/08/29/find-tieks-fab-sexy-flats-for-fall>, 3 pgs. Aug. 29, 2013.

“Step into Tieks,” <http://sliceofpink.typepad.com/blog/2010/09/tieks-1.html>, 5 pgs., Sep. 22, 2010.

“In Need of Flat-Soled Shoes,” <http://www.kellywickham.com/mochamomma/2010/10/4/in-need-of-flat-soled-shoes.html>, 4 pgs., Oct. 3, 2010.

“Say Hello to the Flat Shoes You Need for Fall . . . All 88 of Them!”, Picture of Adam Tucker Shoe/Slipper, <https://www.facebook.com/search/top?q=adam%20shoes%20slipper>, last accessed Oct. 28, 2016, dated Oct. 1, 2013, 1 page.

Picture of Adam Tucker Rainbow Shoes, <https://www.facebook.com/search/top?q=adam%20shoes%20rainbow>, last accessed Oct. 28, 2016, dated Aug. 14, 2013, 1 page.

* cited by examiner

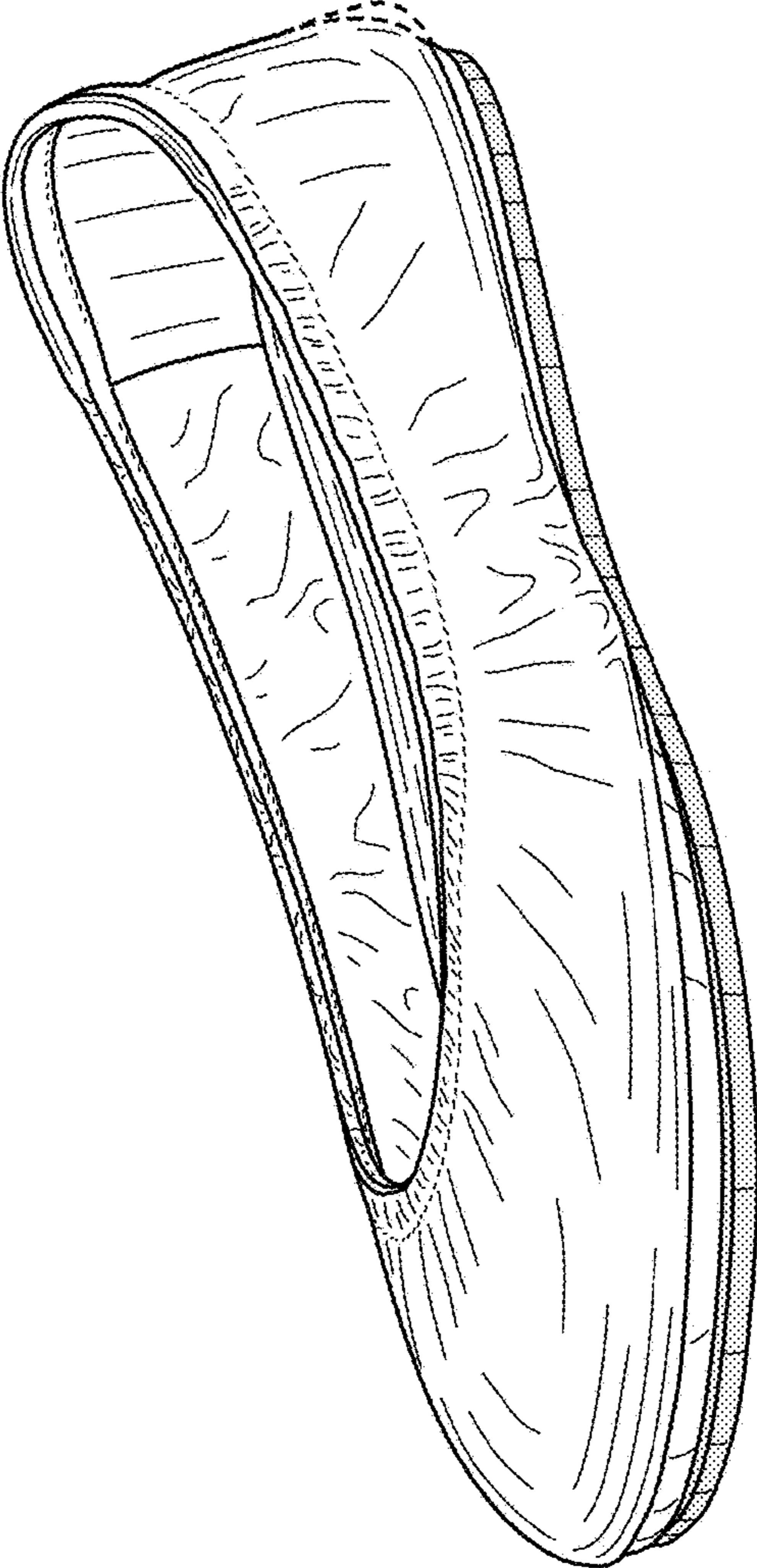


FIG. 1

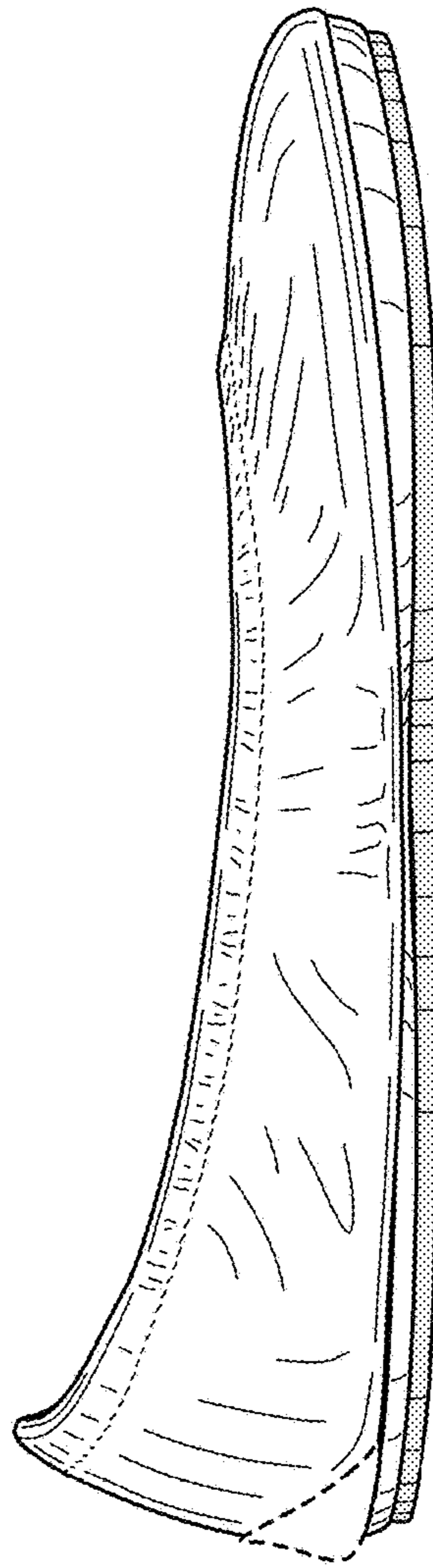


FIG. 2

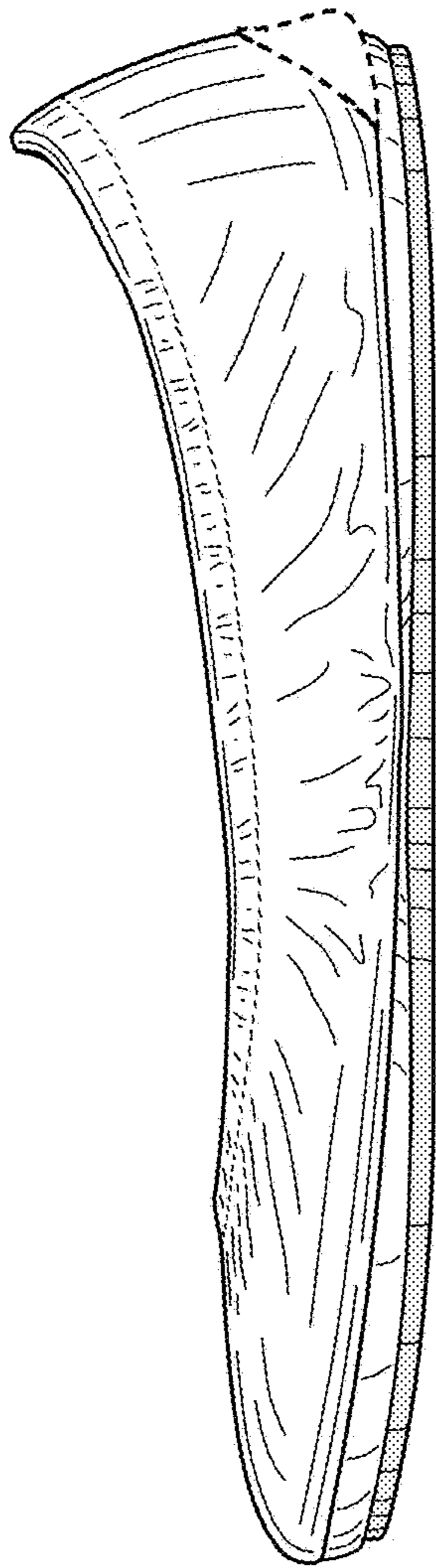


FIG. 3

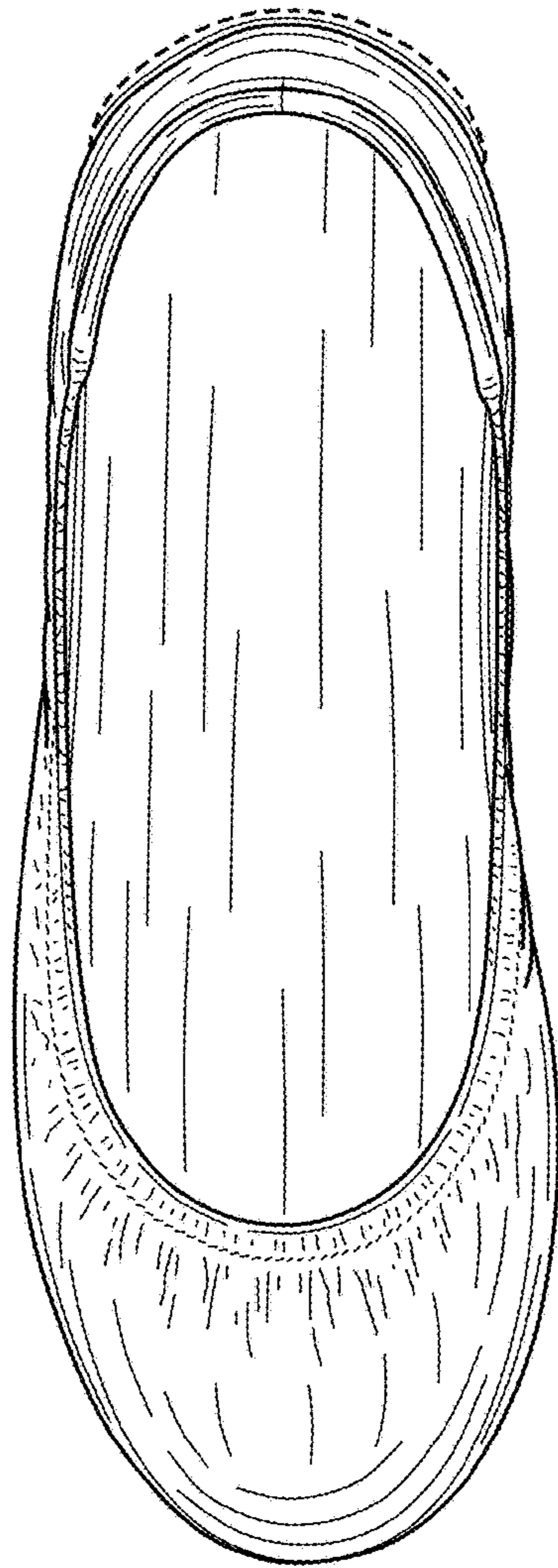


FIG. 4

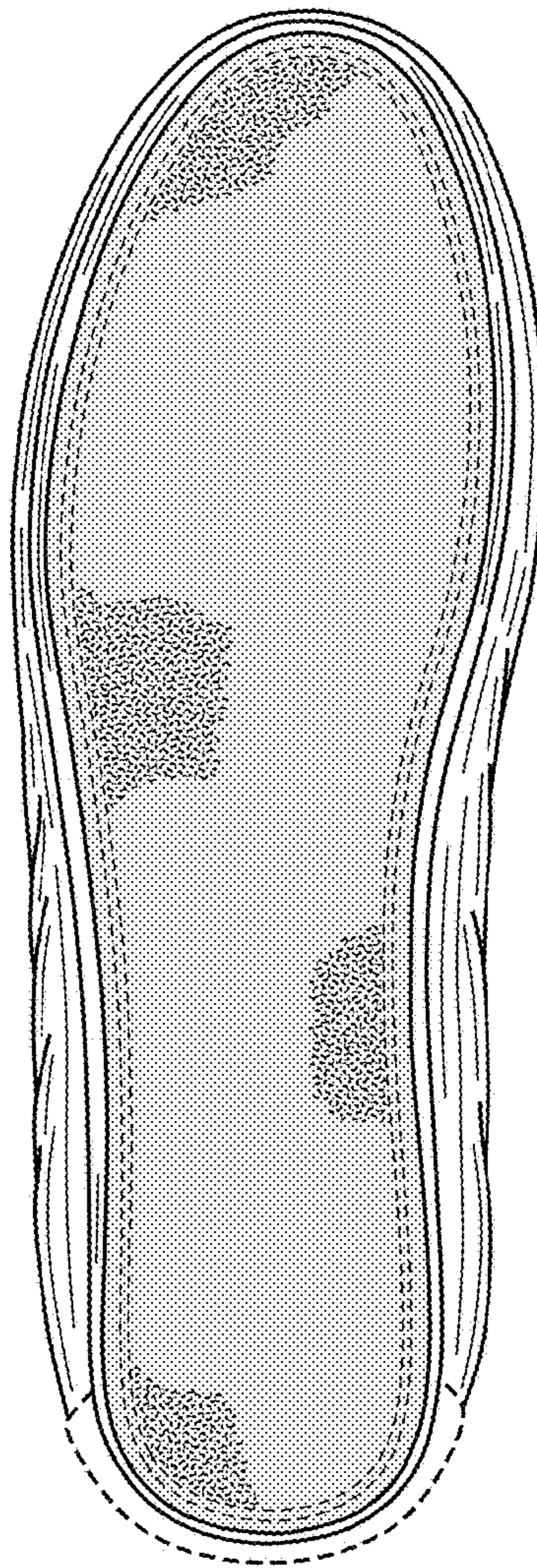


FIG. 5

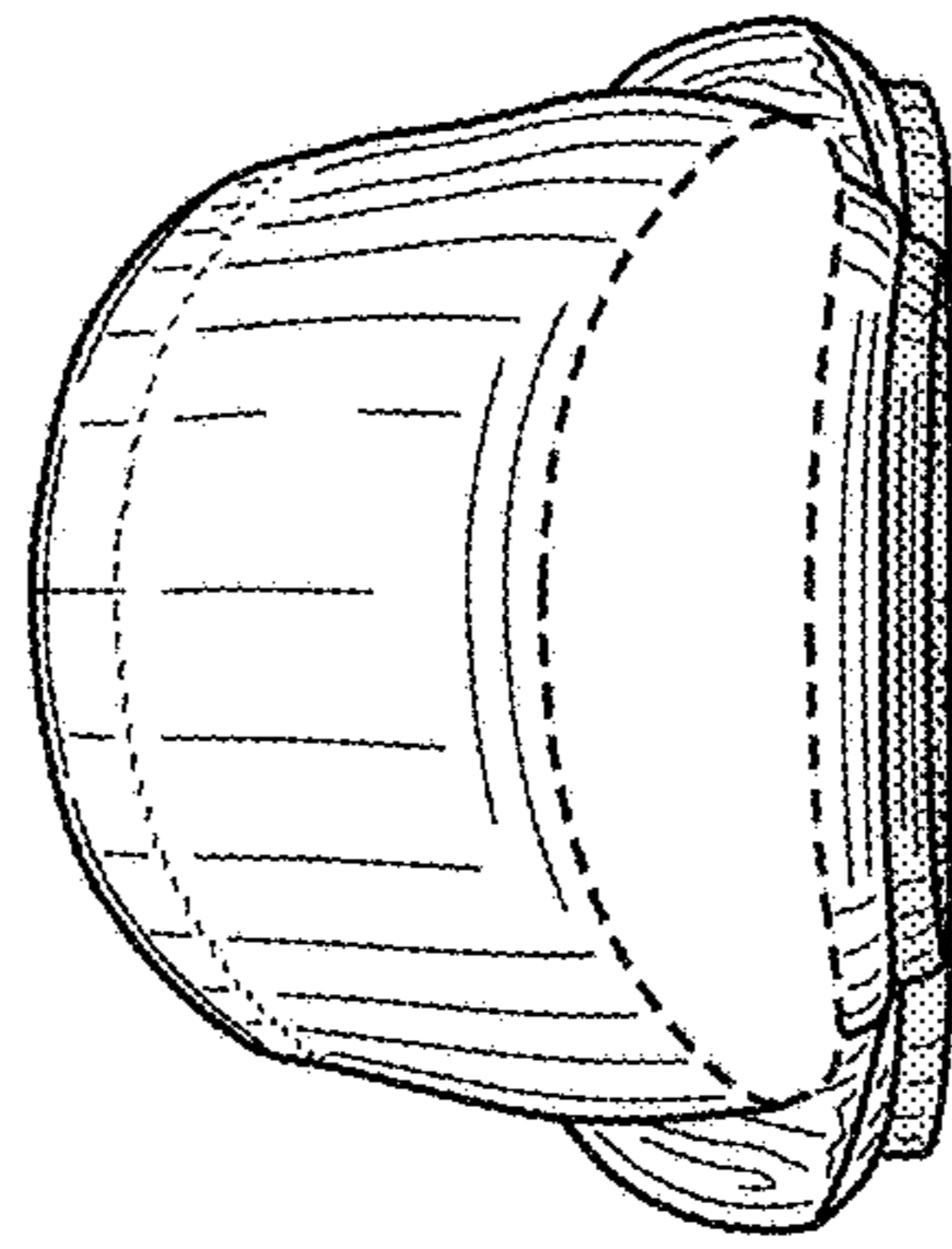


FIG. 7

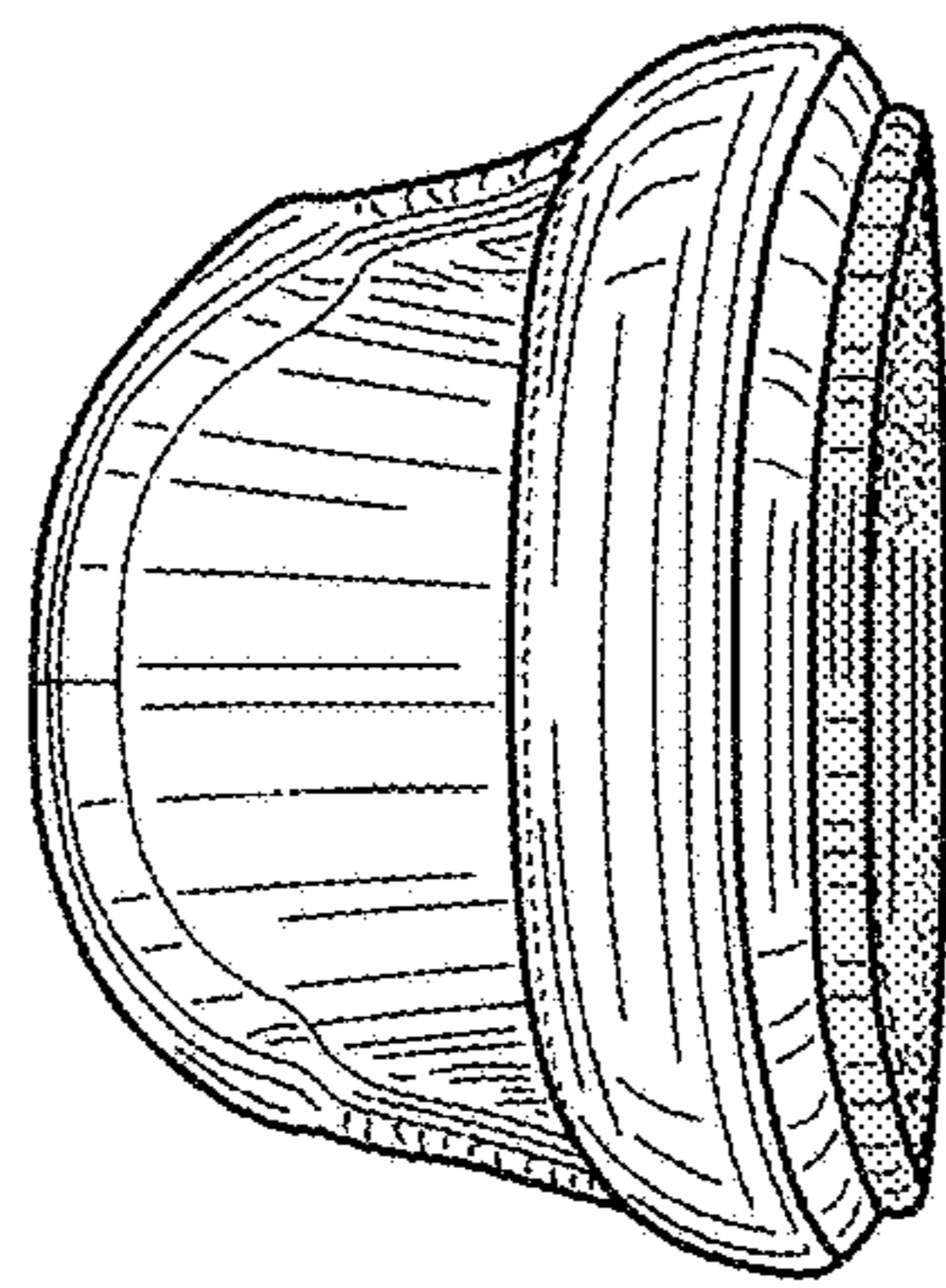


FIG. 6

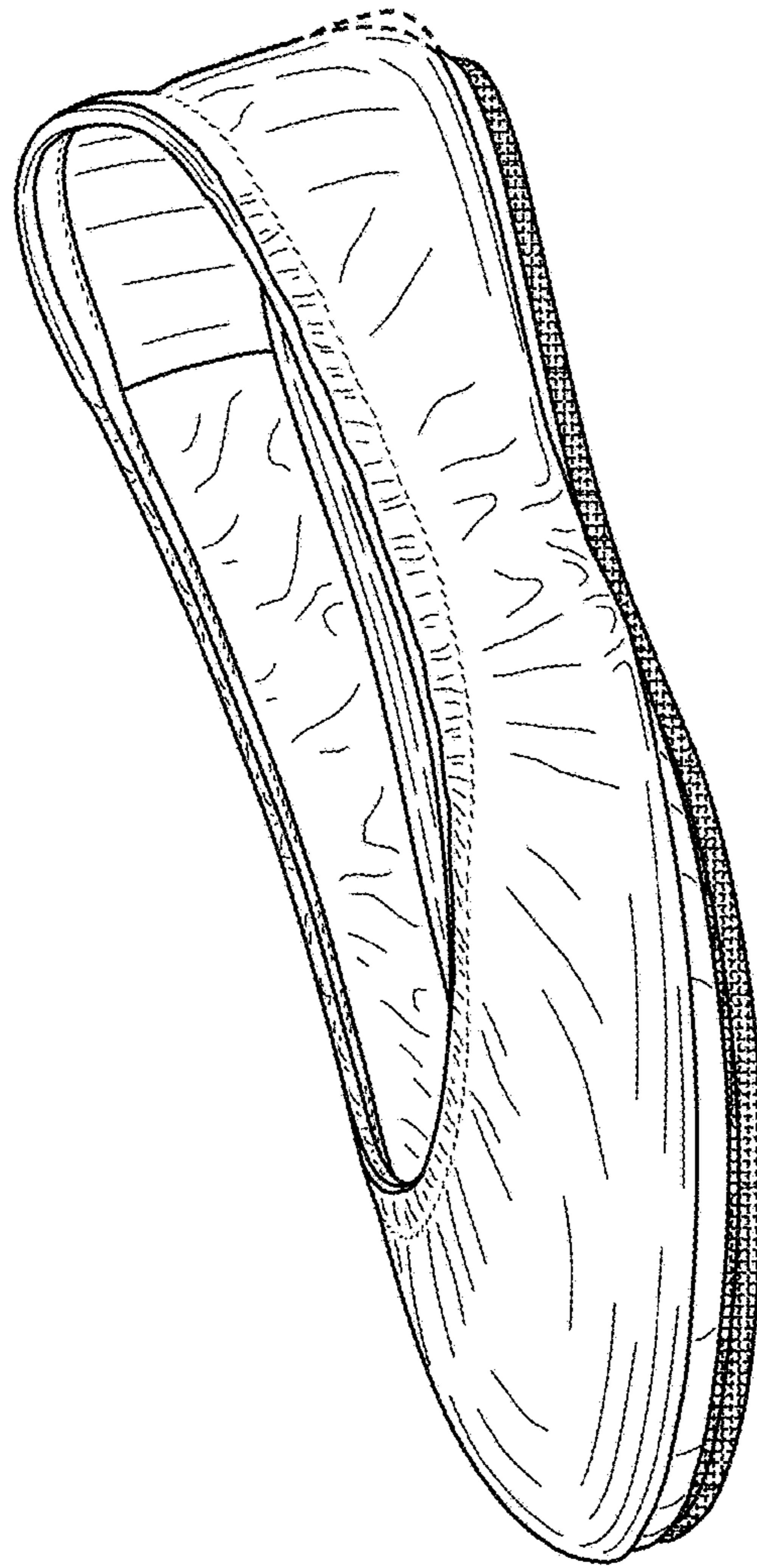


FIG. 8

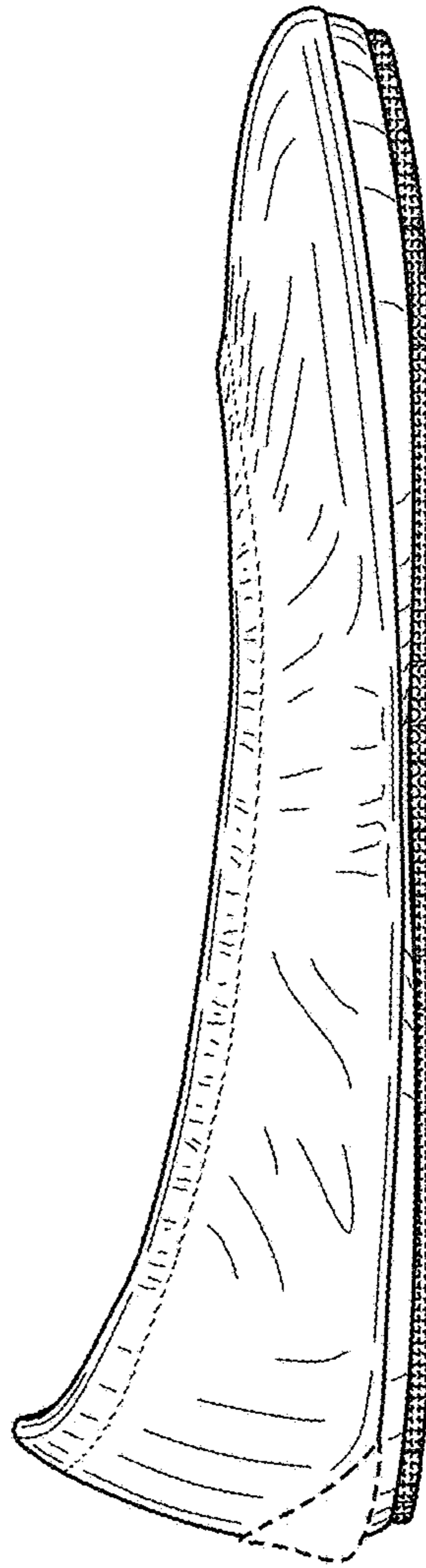


FIG. 9

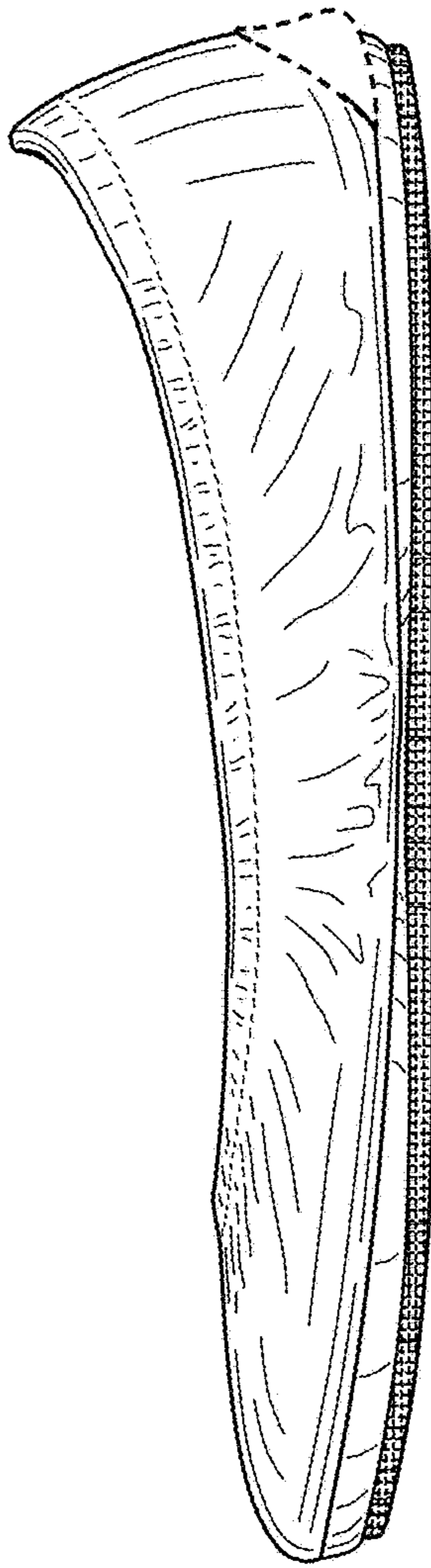


FIG. 10

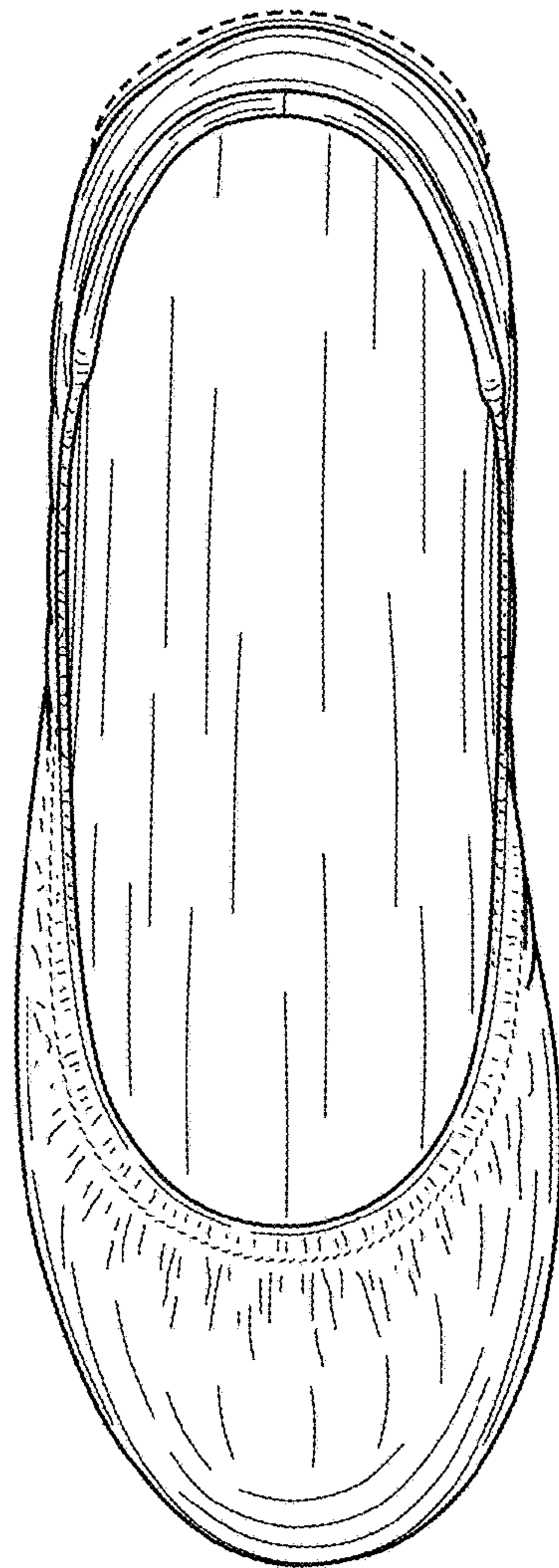


FIG. 11

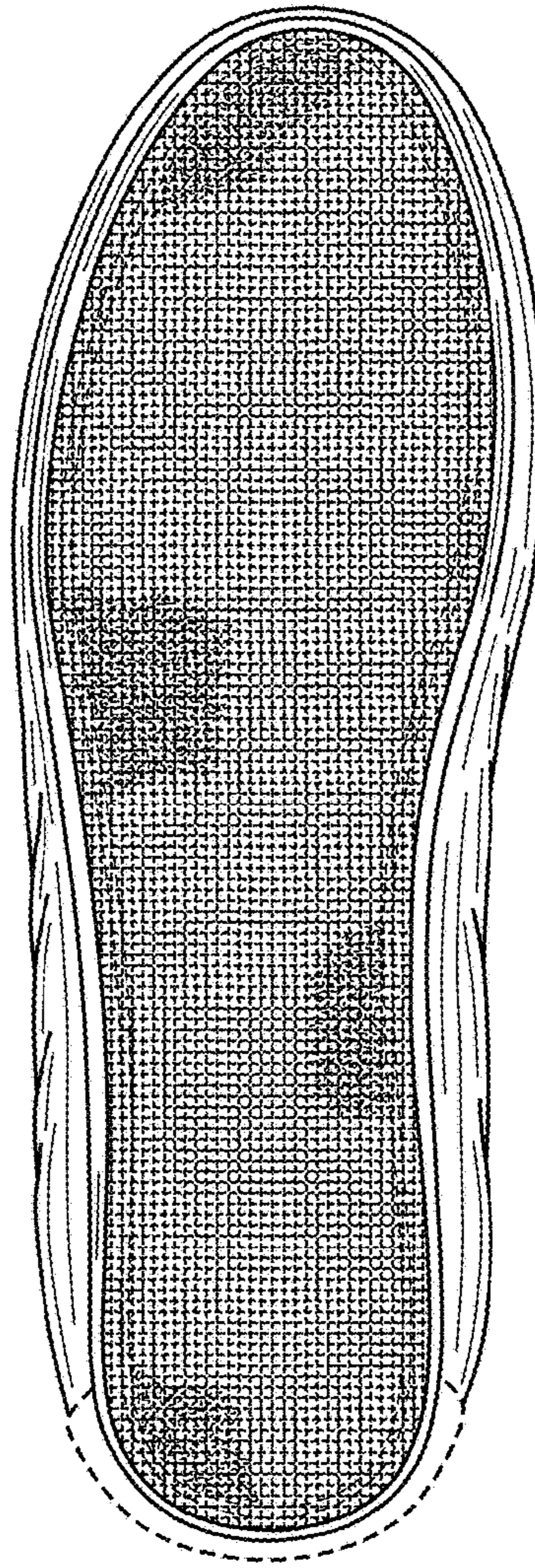


FIG. 12

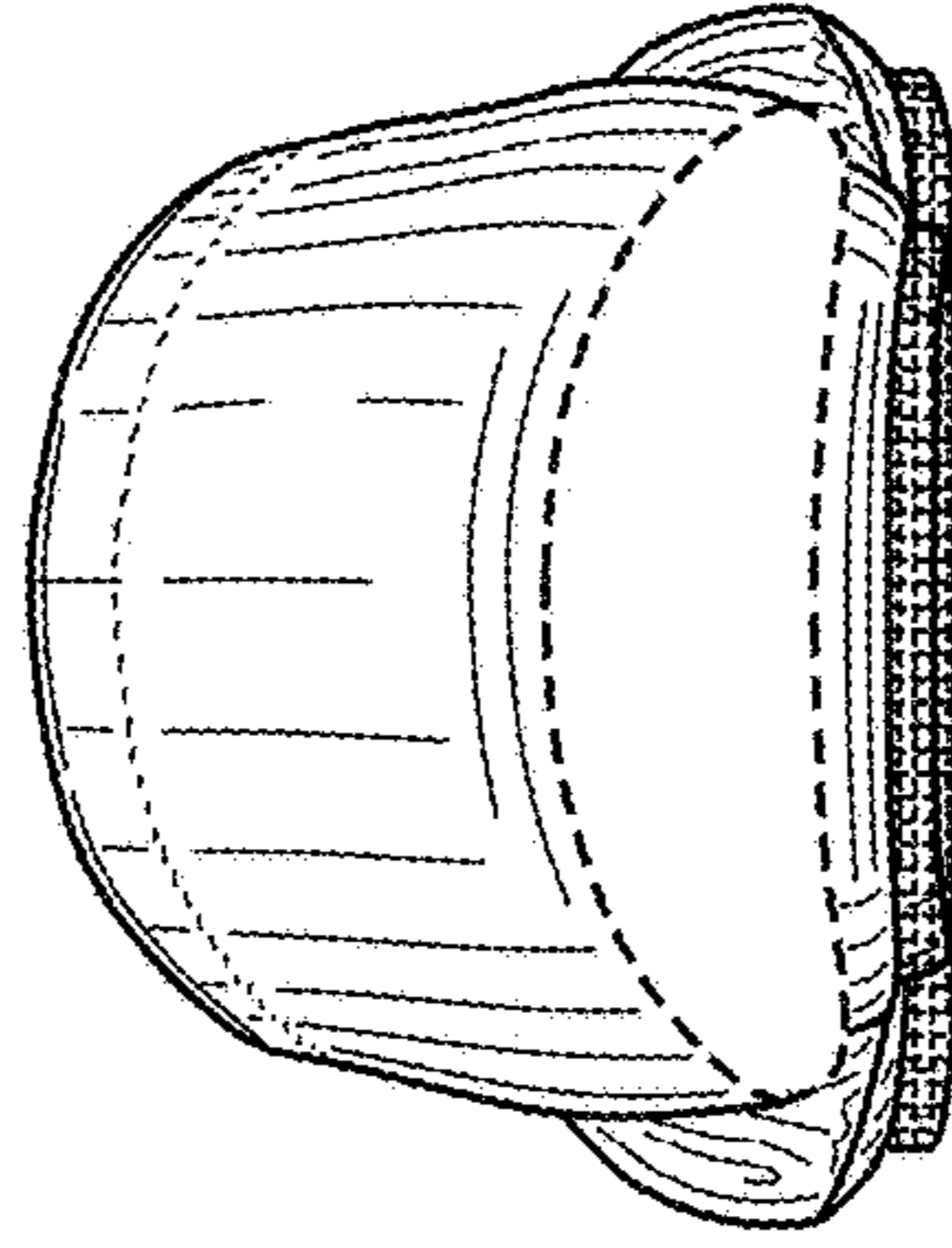


FIG. 14

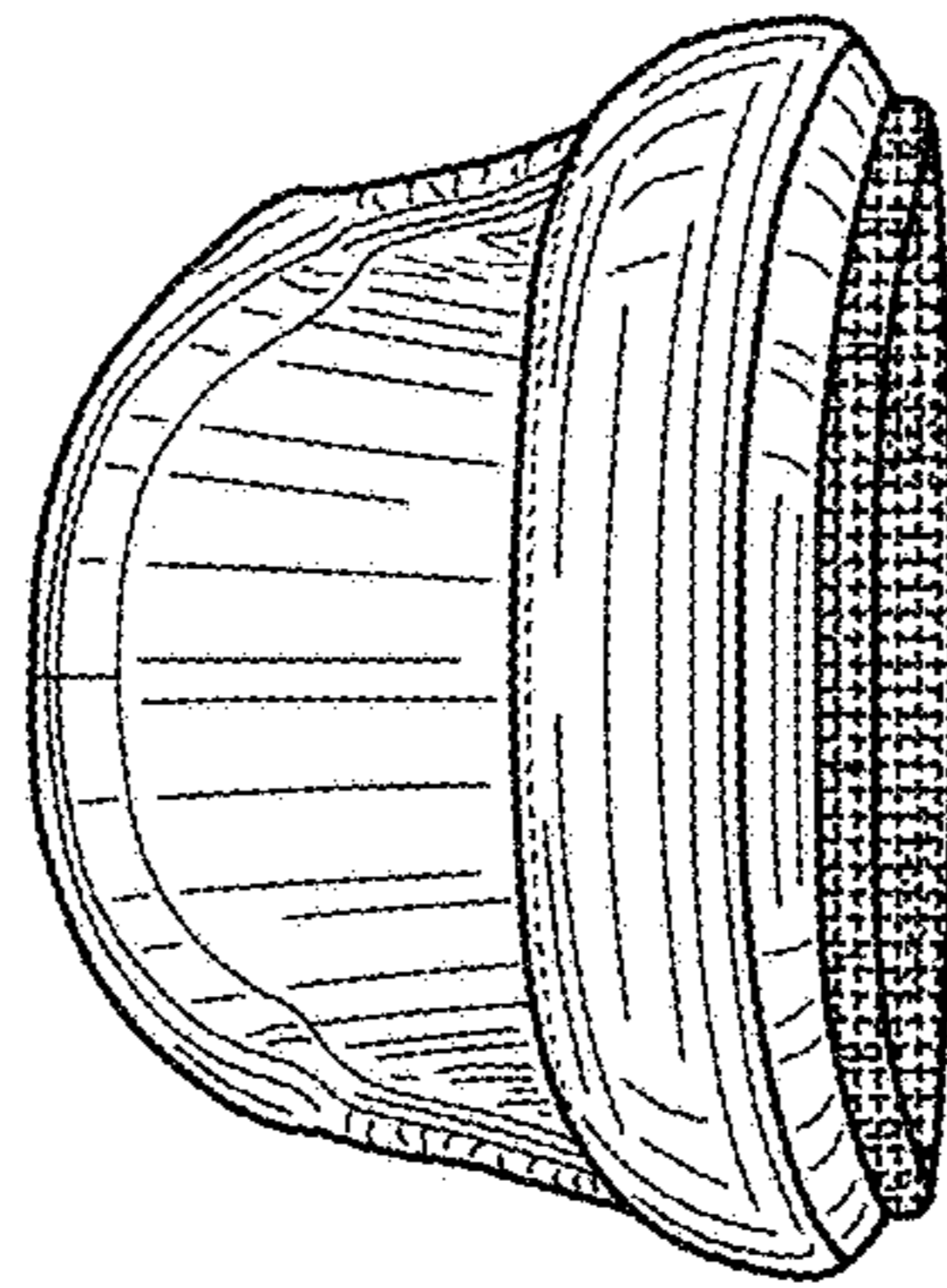


FIG. 13