



US00D846844S

(12) **United States Design Patent**
Gavrieli et al.

(10) **Patent No.:** **US D846,844 S**

(45) **Date of Patent:** **** Apr. 30, 2019**

(54) **SINGLE-SOLE SHOE WITH STRIPE AND
OUTPATCH SOLE**

(71) Applicant: **Gavrieli Brands LLC**, Beverly Hills,
CA (US)

(72) Inventors: **Kfir Gavrieli**, Beverly Hills, CA (US);
Dikla Gavrieli, Beverly Hills, CA (US)

(73) Assignee: **Gavrieli Brands LLC**, Beverly Hills,
CA (US)

(**) Term: **15 Years**

(21) Appl. No.: **29/595,291**

(22) Filed: **Feb. 27, 2017**

(51) **LOC (11) Cl.** **02-04**

(52) **U.S. Cl.**
USPC **D2/939**

(58) **Field of Classification Search**
USPC D2/896, 900, 919-921, 925, 939, 947,
D2/950, 969, 971
CPC A43B 21/00; A43B 21/02; A43B 21/06;
A43B 9/14; A43B 1/0045; A43B 13/10;
A43B 13/12; A43B 23/06; A43B 23/07;
A43B 1/0036; A43B 5/12

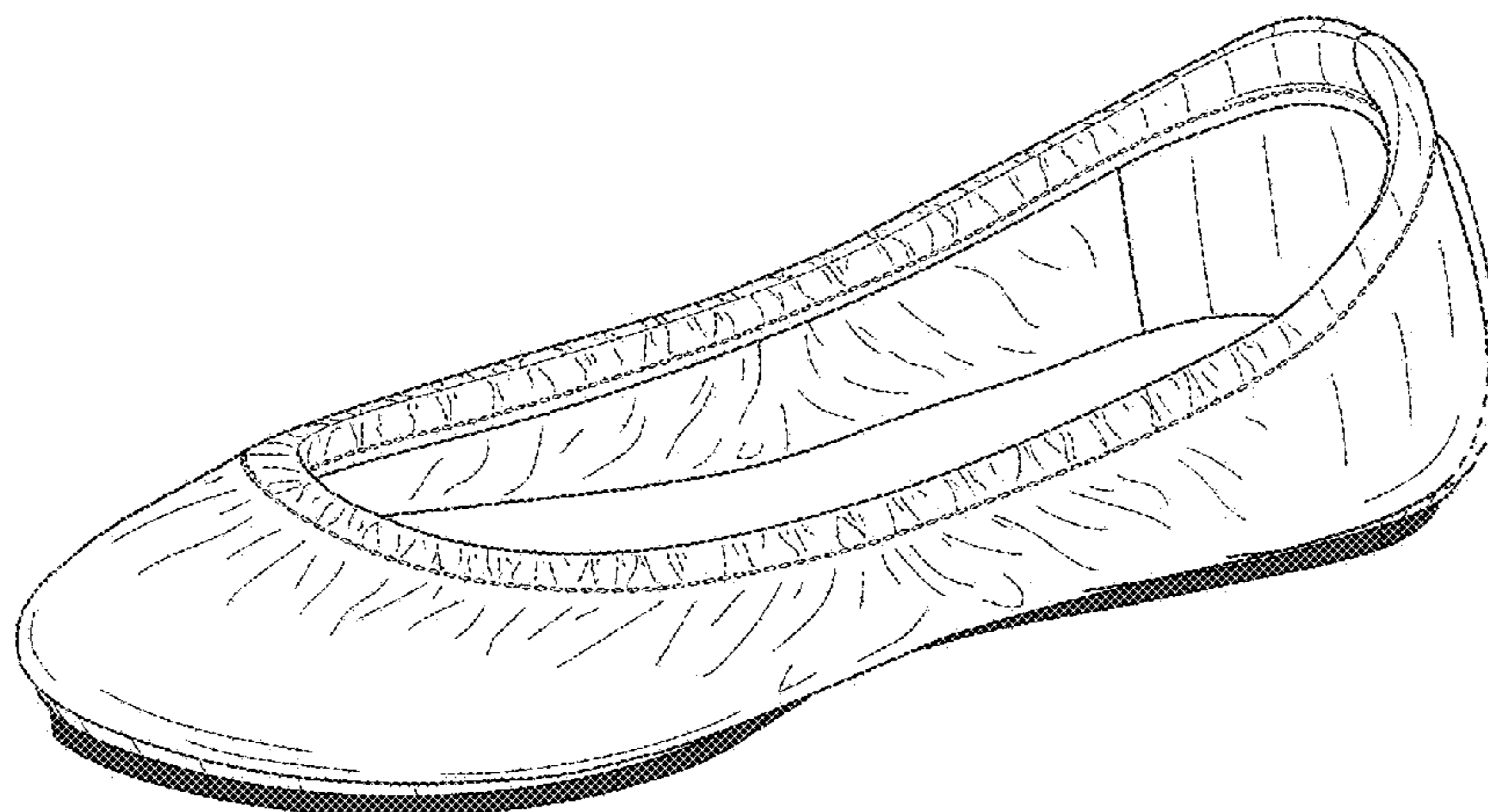
See application file for complete search history.

(56) **References Cited**

U.S. PATENT DOCUMENTS

249,086 A	11/1881	Pienovi	
773,850 A	11/1904	Cooper et al.	
830,941 A	9/1906	Walden	
1,208,209 A	12/1916	Prince	
1,214,666 A	2/1917	Ford	
1,519,009 A	12/1924	Reina	
1,525,848 A *	2/1925	Bonaventure	A43B 5/12 36/113
1,587,377 A	6/1926	Grosjean	
1,650,466 A	11/1927	Righter	
2,224,590 A	12/1940	Boivin	
2,268,777 A	1/1942	Scholl	
D133,819 S *	9/1942	Harris	D2/939
D135,791 S	6/1943	Beebe	

2,323,563 A	7/1943	Nugent	
2,342,882 A	2/1944	Meltzer	
D141,871 S	7/1945	Braun	
2,383,585 A	8/1945	Bindner	
D149,685 S *	5/1948	Sandler	D2/935
D150,729 S *	8/1948	Sandler	D2/923
D166,090 S *	3/1952	Maling	D2/897
2,772,488 A	12/1956	Meltzer	
2,904,814 A	9/1959	Scholl	
3,148,378 A	9/1964	Tibbitts	
D200,897 S *	4/1965	Mitchell	D2/919
D220,464 S	4/1971	Hayoshi	
D247,396 S *	3/1978	Schlerth	D2/939
4,412,393 A	11/1983	Terlizzi, Jr. et al.	
D275,525 S	9/1984	Nakao	
4,674,206 A	6/1987	Lyden	
D295,692 S *	5/1988	Zuidema	D2/950
D300,085 S	3/1989	Ito et al.	
RE33,018 E	8/1989	Ostrander	
4,899,412 A	2/1990	Ganon	
D316,773 S	5/1991	Valle	
5,012,541 A	5/1991	Ganon	
D339,669 S *	9/1993	Miller	D2/919
5,282,326 A	2/1994	Schroer, Jr. et al.	
5,421,050 A	6/1995	Laganas	
5,699,629 A	12/1997	Munschy	
5,746,014 A	5/1998	Tanemoto	
D420,785 S	2/2000	Perez	
6,055,745 A	5/2000	Endoh	
6,076,284 A	6/2000	Terlizzi	
6,189,239 B1	2/2001	Gasparovic et al.	
6,338,207 B1	1/2002	Chang	
D457,292 S *	5/2002	Sessa	D2/949
D461,947 S	8/2002	Merceron	
D476,798 S	7/2003	Reynolds et al.	
6,588,124 B2	7/2003	Morrone	
D498,041 S	11/2004	McClaskie	
D500,191 S *	12/2004	Belley	D2/969
D501,706 S	2/2005	McClaskie	
6,857,203 B2	2/2005	Minden	
6,895,693 B2	5/2005	Baruck	
6,978,557 B2	12/2005	Lee	
7,032,327 B1	4/2006	Tartaglia et al.	
7,036,244 B1	5/2006	Finch	
D527,513 S	9/2006	Della Valle	
D529,513 S *	10/2006	Aketa	D15/5
D531,790 S	11/2006	Wurzburg	
D534,341 S *	1/2007	Choi	D2/896
D542,513 S	5/2007	Amado et al.	
D556,990 S	12/2007	Cabados	
7,337,558 B2	3/2008	Terlizzi et al.	
D567,485 S	4/2008	James	
D570,488 S	6/2008	Kirksey et al.	



D571,084 S	6/2008	Comeau	
D571,548 S	6/2008	Seamans	
D571,989 S	7/2008	Siegal	
D580,640 S	11/2008	Wurzburg	
D582,638 S	12/2008	Ringholz	
7,496,982 B2	3/2009	Clark et al.	
7,506,459 B2	3/2009	Grisoni et al.	
D591,031 S	4/2009	Cofinco	
D593,295 S *	6/2009	Belley	D2/969
D593,297 S *	6/2009	Belley	D2/969
D593,307 S *	6/2009	Belley	D2/969
D599,093 S *	9/2009	Issler	D2/925
D604,030 S	11/2009	Wilson	
D607,194 S	1/2010	Zagula	
D610,332 S	2/2010	Raichle	
D610,785 S	3/2010	Smith	
D612,140 S	3/2010	Moon	
D612,141 S	3/2010	Moon	
7,694,435 B1	4/2010	Kiser et al.	
D615,737 S	5/2010	Feller	
7,735,244 B1	6/2010	Ameche	
7,743,530 B2	6/2010	Truelsen	
D618,891 S	7/2010	McClaskie	
7,757,408 B2	7/2010	McClaskie	
D630,829 S	1/2011	Weisner	
D632,881 S	2/2011	Rosenberg	
7,926,203 B2	4/2011	Wilkenfeld	
7,966,747 B2	6/2011	Wilkenfeld et al.	
D640,861 S	7/2011	Wilkenfeld	
8,020,320 B2	9/2011	Gillespie	
8,127,468 B2	3/2012	Morgan	
D657,543 S	4/2012	Bove	
D659,960 S	5/2012	Bizzo	
8,230,619 B2	7/2012	Salvatelli	
D664,755 S	8/2012	Gavrieli et al.	
D665,157 S	8/2012	Wu	
8,240,067 B2	8/2012	Sussmann	
8,245,420 B2	8/2012	Wilson	
D668,027 S	10/2012	Millieret	
D668,438 S	10/2012	Millieret	
D668,847 S *	10/2012	Gavrieli	D2/925
D668,848 S *	10/2012	Gavrieli	D2/925
D668,849 S	10/2012	Pozzi	
D668,850 S	10/2012	Pozzi	
D672,542 S	12/2012	Gray et al.	
D676,634 S *	2/2013	Gavrieli	D2/925
D681,927 S *	5/2013	Gavrieli	A43B 3/248 D2/939
D681,928 S *	5/2013	Gavrieli	D2/925
D681,929 S *	5/2013	Gavrieli	A43B 3/248 D2/939
D683,936 S *	6/2013	Gavrieli	D2/925
8,468,723 B2	6/2013	Malka-Harari	
8,510,975 B2	8/2013	Krikelis	
D688,853 S *	9/2013	Gavrieli	A43B 3/248 D2/939
D688,854 S *	9/2013	Gavrieli	A43B 3/248 D2/939
D688,855 S *	9/2013	Gavrieli	A43B 3/248 D2/939
D689,270 S *	9/2013	Gavrieli	A43B 3/248 D2/939
D689,271 S *	9/2013	Gavrieli	A43B 3/248 D2/939
D689,272 S *	9/2013	Gavrieli	A43B 3/248 D2/939
D690,914 S *	10/2013	Gavrieli	A43B 3/248 D2/939
D690,915 S *	10/2013	Gavrieli	A43B 3/248 D2/939
D696,500 S	12/2013	Hunt	
D699,424 S	2/2014	Hamm	
8,661,714 B2	3/2014	Sussman	
8,973,287 B2	3/2015	Shibata	
D779,799 S *	2/2017	Gavrieli	D2/939
D779,800 S *	2/2017	Gavrieli	D2/939
2002/0078591 A1	6/2002	Morrone	
2002/0129519 A1	9/2002	Cahan	

2003/0070319 A1	4/2003	Minden
2003/0121176 A1	7/2003	Baruck
2004/0025377 A1	2/2004	Brannon
2005/0022421 A1	2/2005	Bruckner
2005/0115115 A1	6/2005	Lacey
2005/0217148 A1	10/2005	Connolly et al.
2005/0262734 A1	12/2005	Cheng
2006/0086005 A1	4/2006	Yerian
2006/0156576 A1	7/2006	Sloan
2007/0074424 A1	4/2007	Lin
2007/0204482 A1	9/2007	Gibson-Collinson
2007/0204483 A1	9/2007	Kirsch et al.
2008/0052964 A1	3/2008	Taylor
2008/0086912 A1	4/2008	Wilkenfeld
2008/0110059 A1	5/2008	Kuramoto et al.
2009/0019732 A1	1/2009	Sussmann
2009/0193685 A1	8/2009	Wilson
2009/0205222 A1	8/2009	Mclinden
2009/0272009 A1	11/2009	Weisner et al.
2010/0011625 A1	1/2010	Percival
2010/0018080 A1	1/2010	Smith
2010/0050469 A1	3/2010	Chen
2010/0095557 A1	4/2010	Jarvis
2010/0115793 A1	5/2010	Kraisosky
2010/0122475 A1	5/2010	Purrington
2010/0146822 A1	6/2010	MacGregor
2010/0212186 A1	8/2010	Cheng
2010/0275462 A1	11/2010	Pucci
2010/0281713 A1	11/2010	Pantazes
2015/0089843 A1	4/2015	Gavrieli

FOREIGN PATENT DOCUMENTS

DE	20 2006 000230 U1	5/2007
GB	2443937 A	5/2008
GB	2 446 205 A	8/2008
TW	D119165	10/2007

OTHER PUBLICATIONS

Examination Report for AU 341324, 3 pgs., dated Oct. 24, 2012.
 Letter from TMI and Associates with Office Action, 2 pgs, dated Sep. 19, 2012 <http://www.payless.com/store/?&TLC=Womens&SLC=WomensNewArrivals&BLC=WomensNewArrivalsNewArrivals&With+Regular&ItemCode=60131&LotNumber=062642&Type=Adult&Popularity=637&Descriptvein>.
 Taiwanese Office Action for TW 101300726, 10 pgs., dated Sep. 6, 2012.
 "The Love List, Tieks by Gavrieli—Foldable Ballet Flats," <http://thelovelist-carly.blogspot.com.au/2010/09/tieks-by-gavrieli-foldable-ballet.html>, 3 pgs., Sep. 12, 2010.
 "Tieks by Gavrieli," <http://tieks.com>, 1 pg., retrieved Mar. 13, 2013 from URL.
 "Try It Mummy!, Tieks by Gavrieli," <http://tryitmummy.blogspot.com.au/2010/12/tieks-by-gavrieli.html>, 4 pgs., Dec. 9, 2010.
 "Wearability—Real People Style, What came first, the City Flat or the Tieks," <http://wearability.posterous.com/what-came-first-the-city-flat-or-the-tieks>, 4 pgs., Aug. 29, 2010.
 "The Ballet Flat . . . Reinvented; Ballet Flats . . . with a Bonus; Step Into Tieks; Going Places? Take Tieks," <http://web.archive.org/web/2010052004346/http://www.tieks.com/>; 4 pgs., May 24, 2010.
 "Tieks—Comfortable designer flats you can fit in your purse and wear all day, every day," <http://web.archive.org/web/20110731151555/http://tieks.com/>; 6 pgs., Jul. 31, 2011.
 "58th Annual Emmy Awards," http://spoonsforksandfashion.blogspot.com/2006_08_01_archive.html, depicting Nine West flats, 11 pgs., Aug. 1, 2006.
 Pictures of Nine West flats sold in 2006, 3 pgs.
 "I Love a Good Ballet Flat!," <http://dressupfiles.com/i-love-a-good-ballet-flat>, depicting Sue London flats, 4 pgs., Sep. 3, 2010.
 Pictures of Sue London flats sold in 2010, 2 pgs.
 "Miss Cathie Reviews: The Yosi Samra Foldable Ballet Flat . . .," <http://www.misscathie.com/2010/01/miss-cathie-reviews-the-yosi-samra-foldable-ballet-flat/>, depicting Yosi Samra flats, 7 pgs., Jan. 2010.

Pictures of Yosi Samra flats sold in 2010, 2 pgs.
 “Goodbye two thousand ten,” http://emmajoyrussell.blogspot.com/2010_12_01_archive.html, depicting Gap flats, 39 pgs., Dec. 1, 2010.
 Pictures of Gap flats available for sale in 2010, 9 pgs.
 “Our newest design of folding flats—Pink,” <https://fitinclouds.wordpress.com/2010/05/16/our-newest-design-of-folding-flats-pink/>, depicting Fit in Clouds flats, 1 pg., May 16, 2010.
 “Fit in Clouds Satin Folding Shoes,” <http://www.goodhousekeeping.com/product-reviews/clothing/best-ballet-flats/fit-in-clouds-satin-foldable-ballet-flats>, depicting Fit in Clouds flats, 1 pg., Aug. 2013.
 Pictures of Fit in Clouds flats available for sale in 2011, 4 pgs.
 “Shoes for Standing,” <https://truthinshoes.wordpress.com/2008/07/>, depicting Sam & Libby flats, 2 pgs., Jul. 31, 2008.
 “Target Designer Collaboration: Announcing Sam & Libby Shoes for Target,” <http://www.therecessionista.com/2012/11/target-designer-collaboration-announcing-sam-libby-shoes-for-target.html>, depicting Sam & Libby flats, 1 pg., Nov. 26, 2012.
 Pictures of Sam & Libby flats available for purchase in 2011, 5 pgs.
 “Save your soles with Citisoles ballet flats,” <http://glamazondiaries.com/2009/07/save-your-soles-with-citisoles-ballet-flats>, depicting Citisoles flats, 3 pgs., Jul. 2009.
 Pictures of Citisoles flats available for purchase in 2009, 3 pgs.
 “#16 Corso Como Delicious Pumps Review and Giveaway!,” <http://www.mommatoldmeblog.com/2011/01/16-corso-como-delicious-pumps-review.html>, depicting Corso Como flats, 8 pgs., Jan. 16, 2011.
 Pictures of Corso Como flats available for sale in 2011, 3 pgs.
 “Jil-sander-navy-lead-ballet-flats-product . . . ,” www.ebay.com, depicting Jil Sander flats, 4 pgs., Nov. 2013.
 Pictures of Jil Sander flats available for sale in 2011, 3 pgs.
 “Spare Soles: Shoes That Roll-up & Fold-up,” <http://herpackinglist.com/2011/01/spare-soles-shoes/>, depicting Spare Soles flats, 2 pgs., Jan. 2011.
 Pictures of Spare Soles flats available for sale in 2011, 5 pgs.
 The Original Rollable, Foldable ballet flats with matching wristlet—Spare Soles, <http://herpackinglist.com/2011/01/spare-soles-shoes/>, depicting Roll-Upz Spare Soles flats, 2 pgs., Jan. 2011.
 Pictures of Roll-Upz by Spare Soles flats available for sale in 2011, 6 pgs.
 “The Cutest Blog, Preppy 50 and Loving Lilly, Ballet Flat Delight,” <http://preppy50andlovinglilly.blogspot.com/2011/02/ballet-flat-delight.html>, depicting Henri Bendel flats, 13 pgs., Feb. 19, 2011.
 Pictures of Henri Bendel flats available for sale in 2011, 4 pgs.
 “Mumsnet by parents for parents,” http://www.mumsnet.com/Talk/style_and_beauty/a1612000-Anyone-tried-Redfoot-Flatmates-foldable-ballet-pumps, depicting Redfoot Flatmates flats, 1 pg, Nov. 14, 2012.
 Pictures of Redfoot Flatmates flats available for sale in 2011, 6 pgs.
 “Amazon.com: Customer Reviews: Bloch London Women’s Lux Ballet Flat,” <http://www.amazon.com/Bloch-London-Womens-Ballet-Flat/product-reviews/B004LWP7YW>, depicting Bloch London flats, 4 pgs., Dec. 11, 2011.
 Pictures of Bloch London flats offered for sale in 2011, 11 pgs.
 “h&m foldable leopard print flat,” <http://845shops.wordpress.com/2011/06/16/flats-for-7-bucks/Shoe1/>, depicting h&m flats, 3 pgs., Jun. 16, 2011.
 Pictures of h&m foldable flats offered for sale in 2011, 4 pgs.
 “Seekyt —Juicy Couture Ballet Flats—Are They Worth The Money?,” <http://seekyt.com/juicy-couture-ballet-flats-are-they-worth-the-money/>, 14 pgs., Jun. 3, 2011.
 Pictures of Juicy Couture flats offered for sale in 2011, 3 pgs.
 “Purse Flats,” <http://purseflats.wordpress.com>, depicting Purse Flats by Erica Wilson, 3 pgs., Jul. 12, 2012.
 Pictures of Purse Flats by Erica Wilson offered for sale in 2011, 6 pgs.
 “Splash Page,” <http://web.archive.org/web/20100524004346/http://www.tieks.com/>, 4 pgs., May 24, 2010.
 “Tieks by Gavrieli—Comfortable, designer flats you can fit in your purse and wear all day . . . ,” <http://web.archive.org/web/20110202210649/http://www.tieks.com/>, 8 pgs., Feb. 2, 2011.
 “Carolina M. M. Gonzalez > Tieks by Gavrieli,” <http://m2.facebook.com/Tieks?v=timeline&filter=2&timecutoff=1406427986&page=17>

§ionLoadingID=m_timeline_loading_div_1293868799_1262332800_8_17&timeend=1293868799×tart=1262332800&tm=AQDOvqhWQPN_Nbwm&refid=17, 1 pg. Jan. 26, 2010.
 “The Shoes Oprah Would Wear to Work (if She Had to Walk),” <http://www.inc.com/30under30/christina-desmarais/kfir-gavrieli-and-elram-gavrieli-founders-of-tieks.html>, 8 pgs., Jul. 2, 2012.
 “Tieks by Gavrieli,” http://m2.facebook.com/Tieks?v=timeline&filter=2&timecutoff=1406427986&page=14§ionLoadngID=m_timeline_loading_div_1293868799_1262332800_8_14&timeend=1293868799×tart=1262332800&tm=AQDOvqhWQPN_Nbwm&refid=17, 4 pgs., Jan. 26, 2010.
 “Mighty Life List, Sensible Shoes,” <http://mightygirl.com/2010/08/24/sensible-shoes/>, 10 pgs., Aug. 24, 2010.
 “Find! Tieks: Fab & sexy flats for fall,” <http://thefabmom.com/2013/08/29/find-tieks-fab-sexy-flat-for-fall/>, 3 pgs. Aug. 29, 2013.
 “Step into Tieks,” <http://sliceofpink.typepad.com/blog/2010/09/tieks-1.html>, 5 pgs., Sep. 22, 2010.
 “In Need of Flat-Soled Shoes,” <http://sliceofpink.typepad.com/blog/2010/09/tieks-1.html>, 7 pgs., Oct. 3, 2010.
 “Say Hello to the Flat Shoes You Need for Fall . . . All 88 of Them!”, Picture of Adam Tucker Shoe/Slipper, <https://www.facebook.com/search/top/?q=adam%20shoes%20slipper>, last accessed Oct. 28, 2016, dated Oct. 1, 2013, 1 page.
 Picture of Adam Tucker Rainbow Shoes, <https://www.facebook.com/search/top/?q=adam%20shoes%20rainbow>, last accessed Oct. 28, 2016, dated Aug. 14, 2013, 1 page.

* cited by examiner

Primary Examiner — Dominic V Simone
 (74) *Attorney, Agent, or Firm* — Morgan, Lewis & Bockius LLP

(57)

CLAIM

An ornamental design for a single-sole shoe with stripe and outpatch sole, as shown and described.

DESCRIPTION

The file of this patent contains at least one drawing/photograph executed in color. Copies of this patent with color drawing(s)/photograph(s) will be provided by the Office upon request and payment of the necessary fee.

FIG. 1 is a perspective view of a first embodiment of our new design of a single-sole shoe with stripe and outpatch sole;

FIG. 2 is a first side view thereof;

FIG. 3 is a second side view thereof;

FIG. 4 is a top view thereof;

FIG. 5 is a bottom view thereof;

FIG. 6 is a front view thereof;

FIG. 7 is a back view thereof;

FIG. 8 is a perspective view of a second embodiment of our new design of a single-sole shoe with stripe and outpatch sole;

FIG. 9 is a first side view thereof;

FIG. 10 is a second side view thereof;

FIG. 11 is a top view thereof;

FIG. 12 is a bottom view thereof;

FIG. 13 is a front view thereof;

FIG. 14 is a back view thereof;

FIG. 15 is a perspective view of a third embodiment of our new design of a single-sole shoe with stripe and outpatch sole;

FIG. 16 is a first side view thereof;

FIG. 17 is a second side thereof;

FIG. 18 is a top view thereof;

FIG. 19 is a bottom view thereof;

FIG. 20 is a front view thereof;
 FIG. 21 is a back view thereof;
 FIG. 22 is a perspective view of a fourth embodiment of our new design of a single-sole shoe with stripe and outpatch sole;
 FIG. 23 is a first side view thereof;
 FIG. 24 is a second side view thereof;
 FIG. 25 is a top view thereof;
 FIG. 26 is a bottom view thereof;
 FIG. 27 is a front view thereof;
 FIG. 28 is a back view thereof;
 FIG. 29 is a perspective view of a fifth embodiment of our new design of a single-sole shoe with stripe and outpatch sole;
 FIG. 30 is a first side view thereof;
 FIG. 31 is a second side view thereof;
 FIG. 32 is a top view thereof;
 FIG. 33 is a bottom view thereof;
 FIG. 34 is a front view thereof;
 FIG. 35 is a back view thereof;
 FIG. 36 is a perspective view of a sixth embodiment of our new design of a single-sole shoe with stripe and outpatch sole;
 FIG. 37 is a first side view thereof;
 FIG. 38 is a second side view thereof;
 FIG. 39 is a top view thereof;
 FIG. 40 is a bottom view thereof;
 FIG. 41 is a front view thereof;
 FIG. 42 is a back view thereof;
 FIG. 43 is a perspective view of a seventh embodiment of our new design of a single-sole shoe with stripe and outpatch sole;
 FIG. 44 is a first side view thereof;
 FIG. 45 is a second side view thereof;
 FIG. 46 is a top view thereof;
 FIG. 47 is a bottom view thereof;
 FIG. 48 is a front view thereof;
 FIG. 49 is a back view thereof;
 FIG. 50 is a perspective view of an eighth embodiment of our new design of a single-sole shoe with stripe and outpatch sole;
 FIG. 51 is a first side view thereof;
 FIG. 52 is a second side view thereof;
 FIG. 53 is a top view thereof;
 FIG. 54 is a bottom view thereof;
 FIG. 55 is a front view thereof;
 FIG. 56 is a back view thereof;
 FIG. 57 is a perspective view of a ninth embodiment of our new design of a single-sole shoe with stripe and outpatch sole;
 FIG. 58 is a first side view thereof;
 FIG. 59 is a second side view thereof;
 FIG. 60 is a top view thereof;
 FIG. 61 is a bottom view thereof;
 FIG. 62 is a front view thereof;
 FIG. 63 is a back view thereof;
 FIG. 64 is a perspective view of a tenth embodiment of our new design of a single-sole shoe with stripe and outpatch sole;
 FIG. 65 is a first side view thereof;
 FIG. 66 is a second side view thereof;
 FIG. 67 is a top view thereof;

FIG. 68 is a bottom view thereof;
 FIG. 69 is a front view thereof;
 FIG. 70 is a back view thereof;
 FIG. 71 is a perspective view of an eleventh embodiment of our new design of a single-sole shoe with stripe and outpatch sole;
 FIG. 72 is a first side view thereof;
 FIG. 73 is a second side view thereof;
 FIG. 74 is a top view thereof;
 FIG. 75 is a bottom view thereof;
 FIG. 76 is a front view thereof;
 FIG. 77 is a back view thereof;
 FIG. 78 is a perspective view of a twelfth embodiment of our new design of a single-sole shoe with stripe and outpatch sole;
 FIG. 79 is a first side view thereof;
 FIG. 80 is a second side view thereof;
 FIG. 81 is a top view thereof;
 FIG. 82 is a bottom view thereof;
 FIG. 83 is a front view thereof;
 FIG. 84 is a back view thereof;
 FIG. 85 is a perspective view of a thirteenth embodiment of our new design of a single-sole shoe with stripe and outpatch sole;
 FIG. 86 is a first side view thereof;
 FIG. 87 is a second side view thereof;
 FIG. 88 is a top view thereof;
 FIG. 89 is a bottom view thereof;
 FIG. 90 is a front view thereof;
 FIG. 91 is a back view thereof;
 FIG. 92 is a perspective view of a fourteenth embodiment of our new design of a single-sole shoe with stripe and outpatch sole;
 FIG. 93 is a first side view thereof;
 FIG. 94 is a second side view thereof;
 FIG. 95 is a top view thereof;
 FIG. 96 is a bottom view thereof;
 FIG. 97 is a front view thereof;
 FIG. 98 is a back view thereof;
 FIG. 99 is a perspective view of a fifteenth embodiment of our new design of a single-sole shoe with stripe and outpatch sole;
 FIG. 100 is a first side view thereof;
 FIG. 101 is a second side view thereof;
 FIG. 102 is a top view thereof;
 FIG. 103 is a bottom view thereof;
 FIG. 104 is a front view thereof;
 FIG. 105 is a back view thereof;
 FIG. 106 is a perspective view of a sixteenth embodiment of our new design of a single-sole shoe with stripe and outpatch sole;
 FIG. 107 is a first side view thereof;
 FIG. 108 is a second side view thereof;
 FIG. 109 is a top view thereof;
 FIG. 110 is a bottom view thereof;
 FIG. 111 is a front view thereof; and,
 FIG. 112 is a back view thereof.
 The broken lines illustrating the half moon patch and the heel stripe are for illustrative purposes only and form no part of the claimed design.

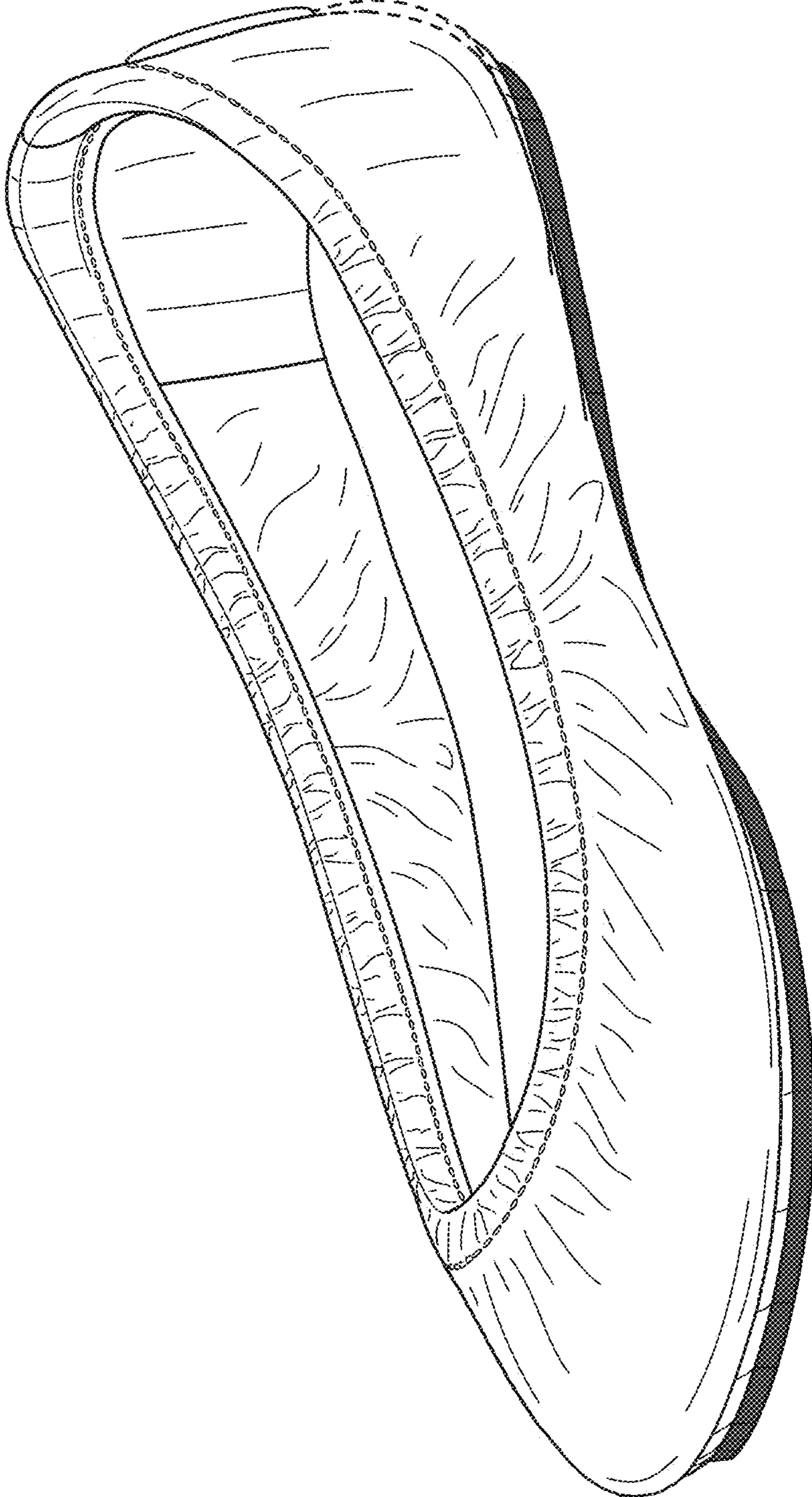


FIG. 1

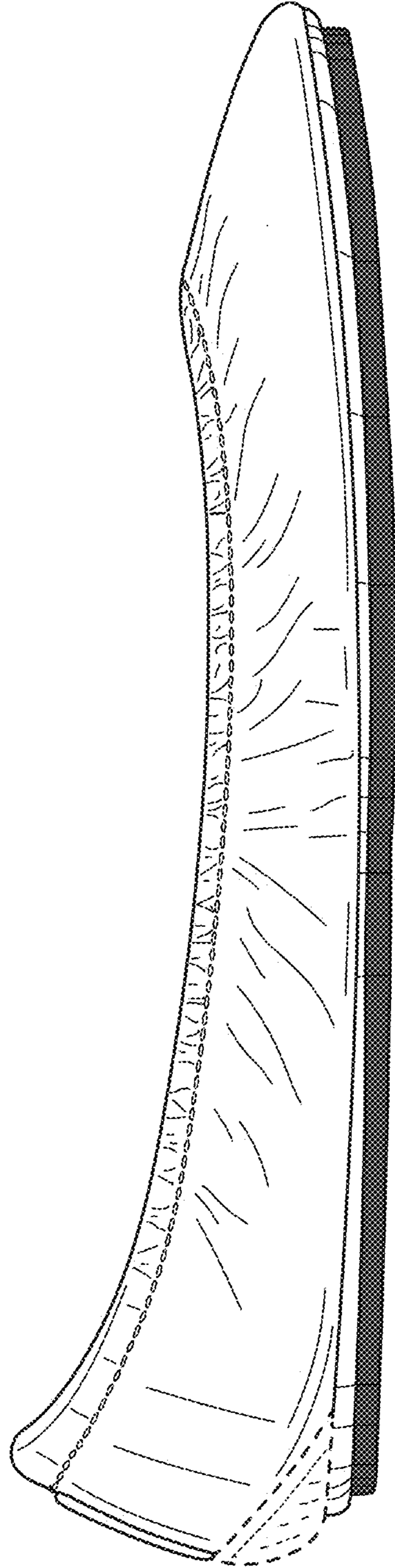


FIG. 2

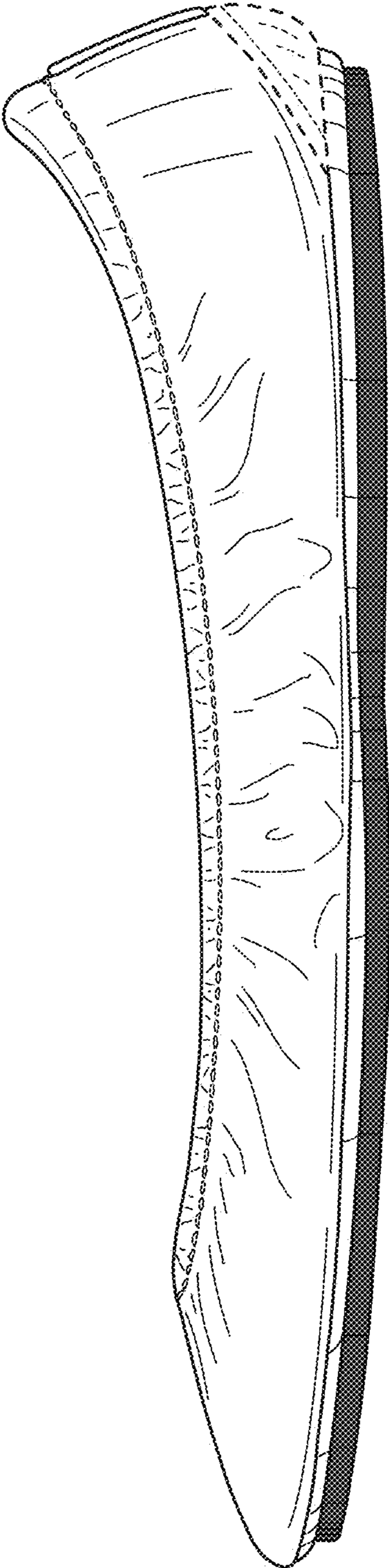


FIG. 3

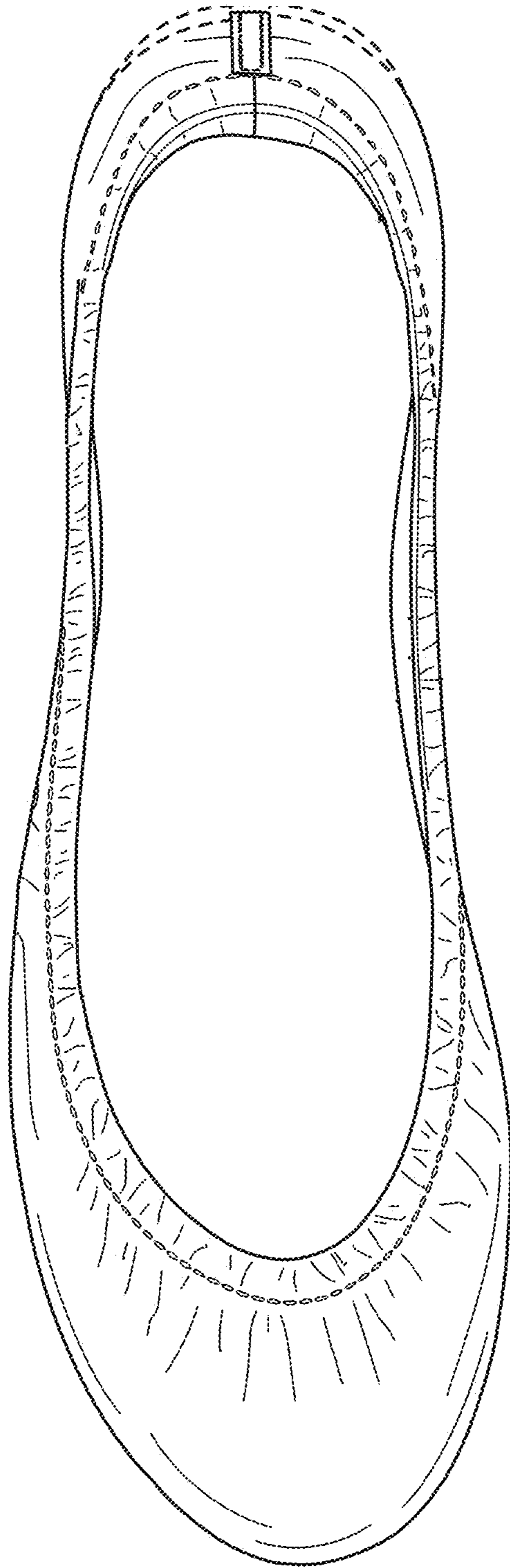


FIG. 4

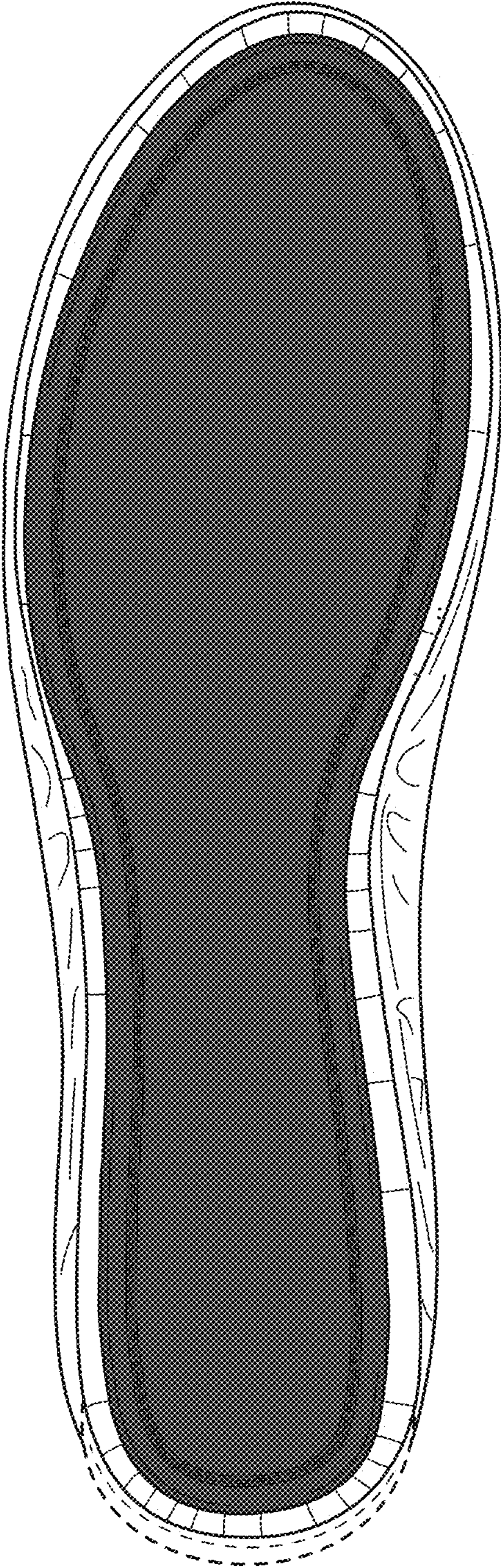


FIG. 5

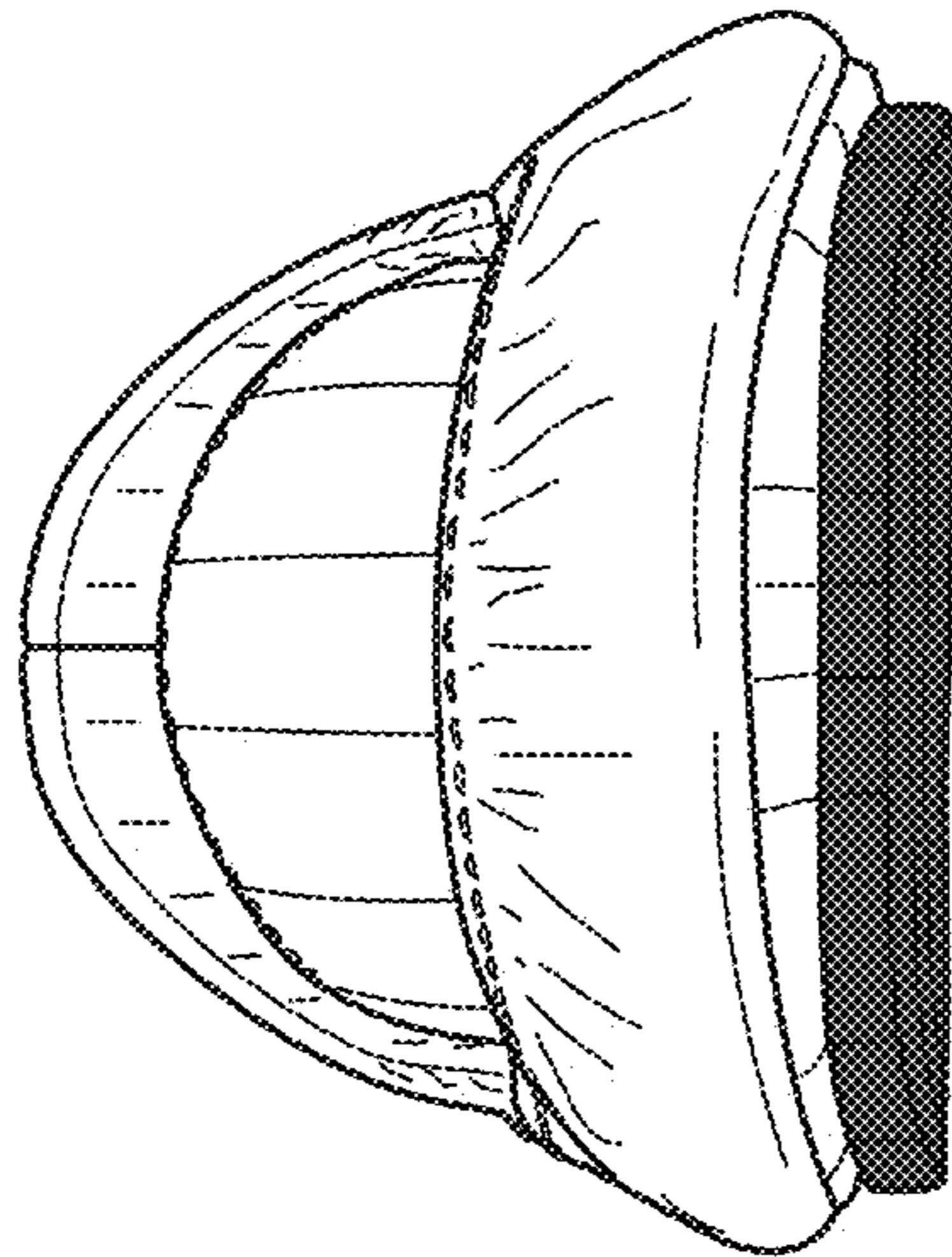


FIG. 6

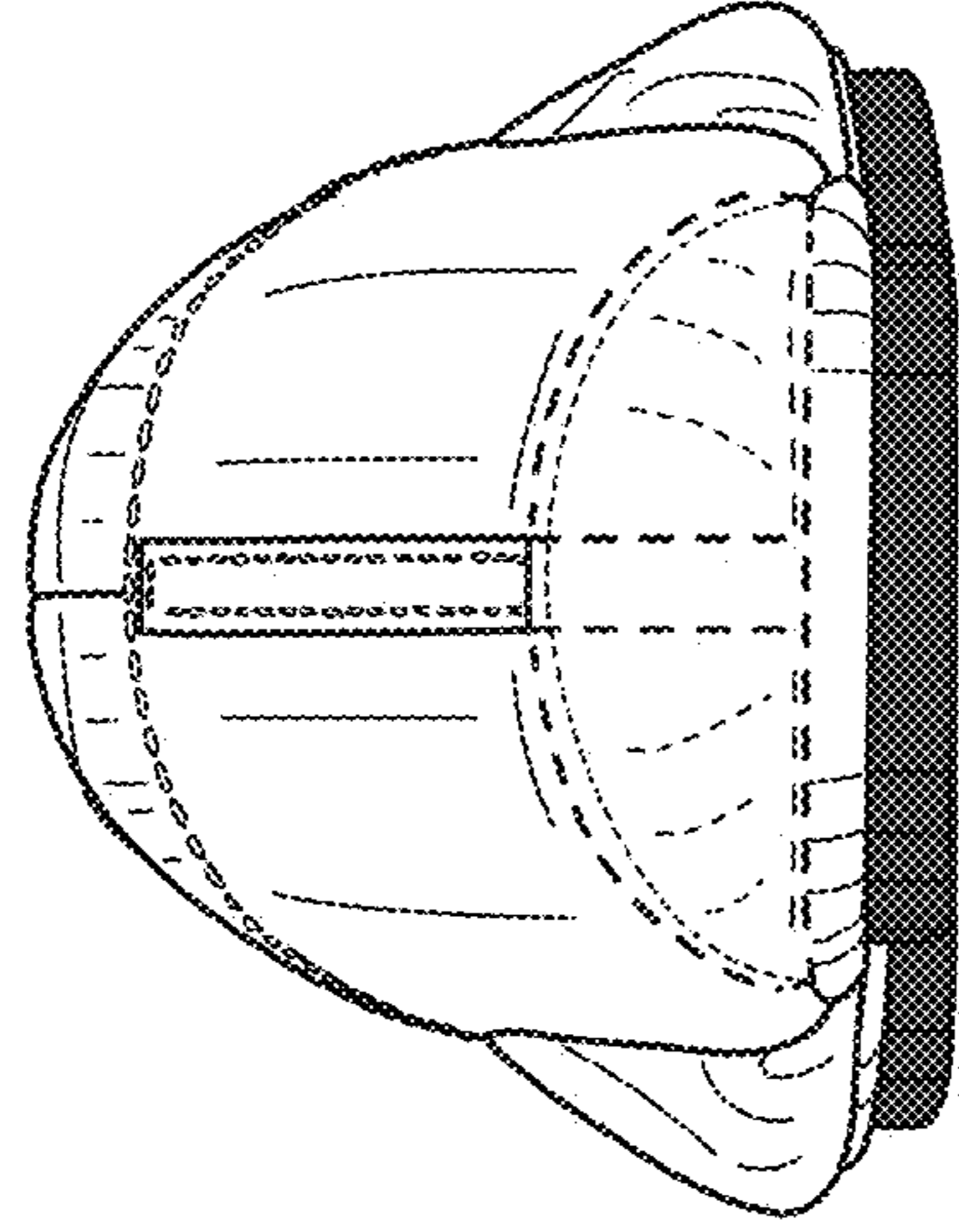


FIG. 7

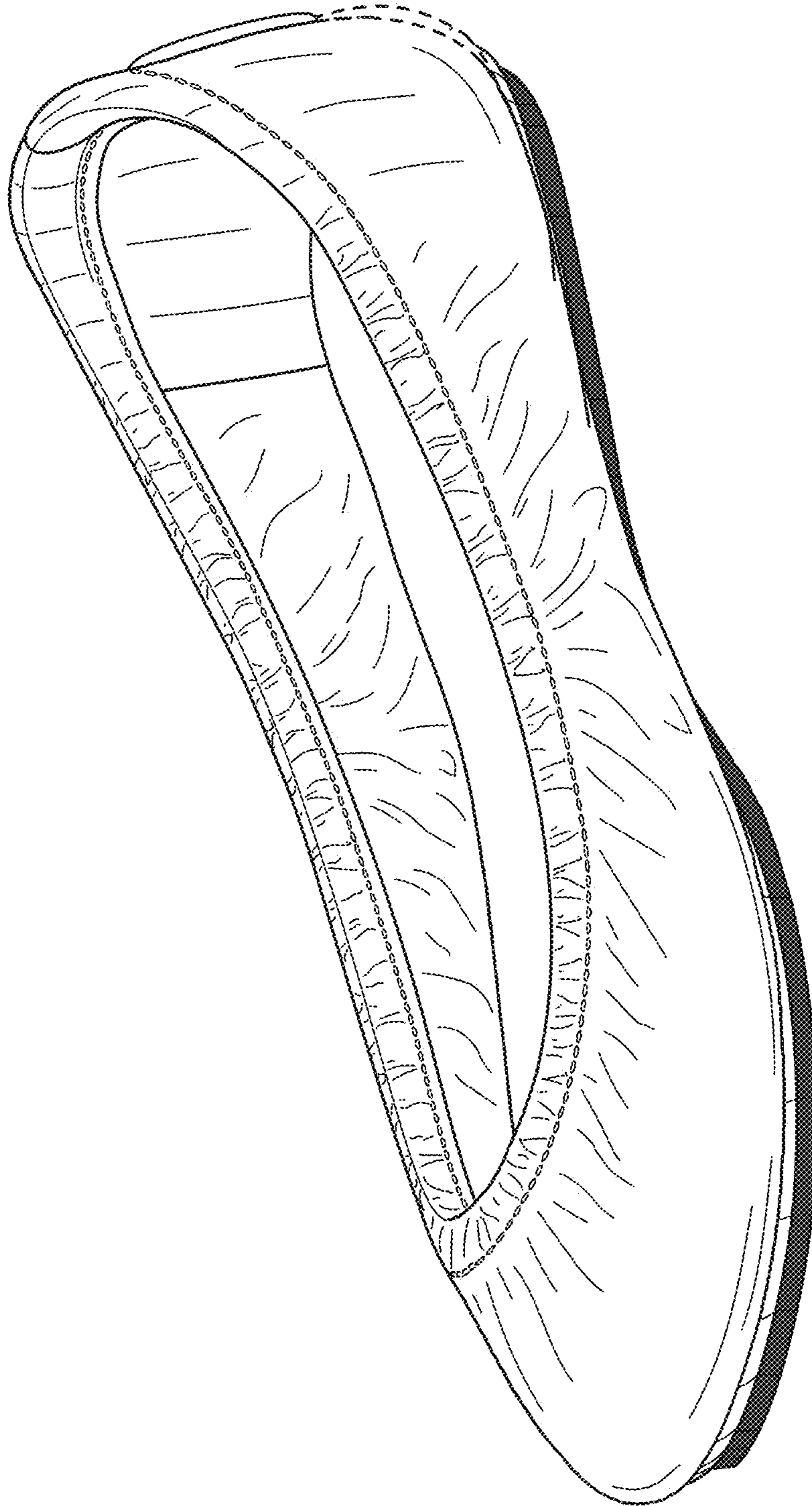


FIG. 8

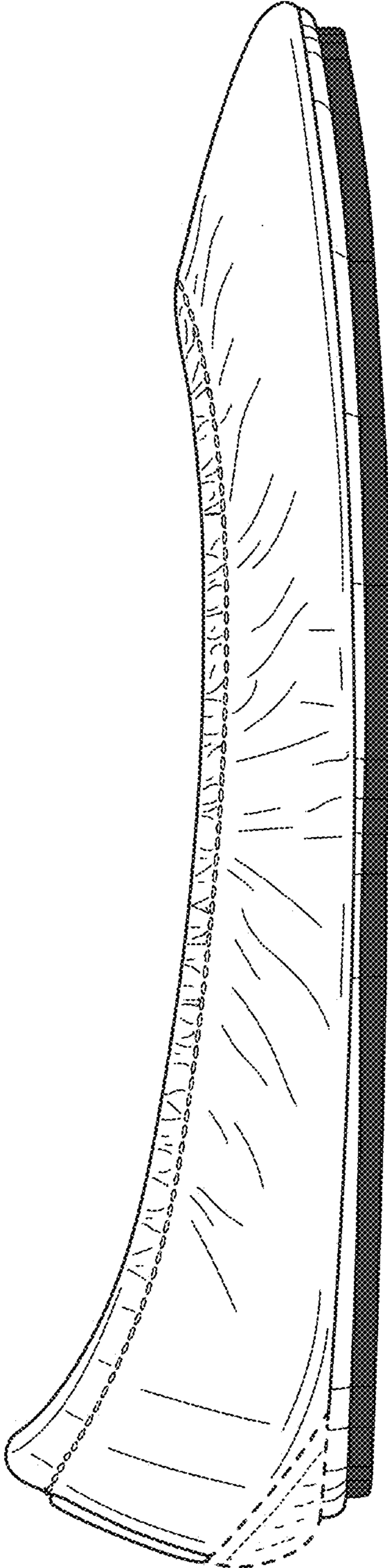


FIG. 9

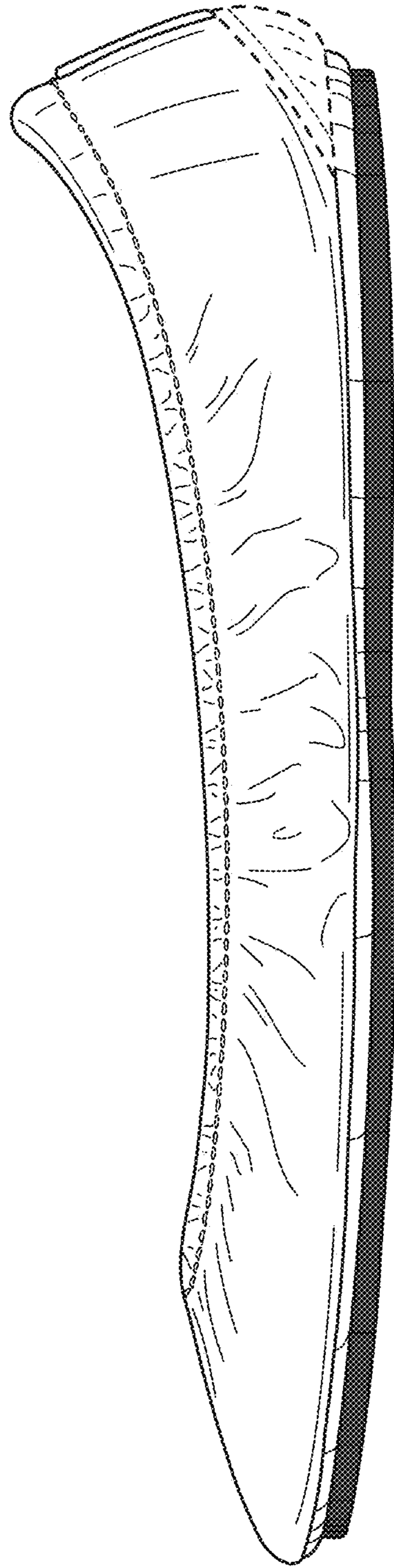


FIG. 10

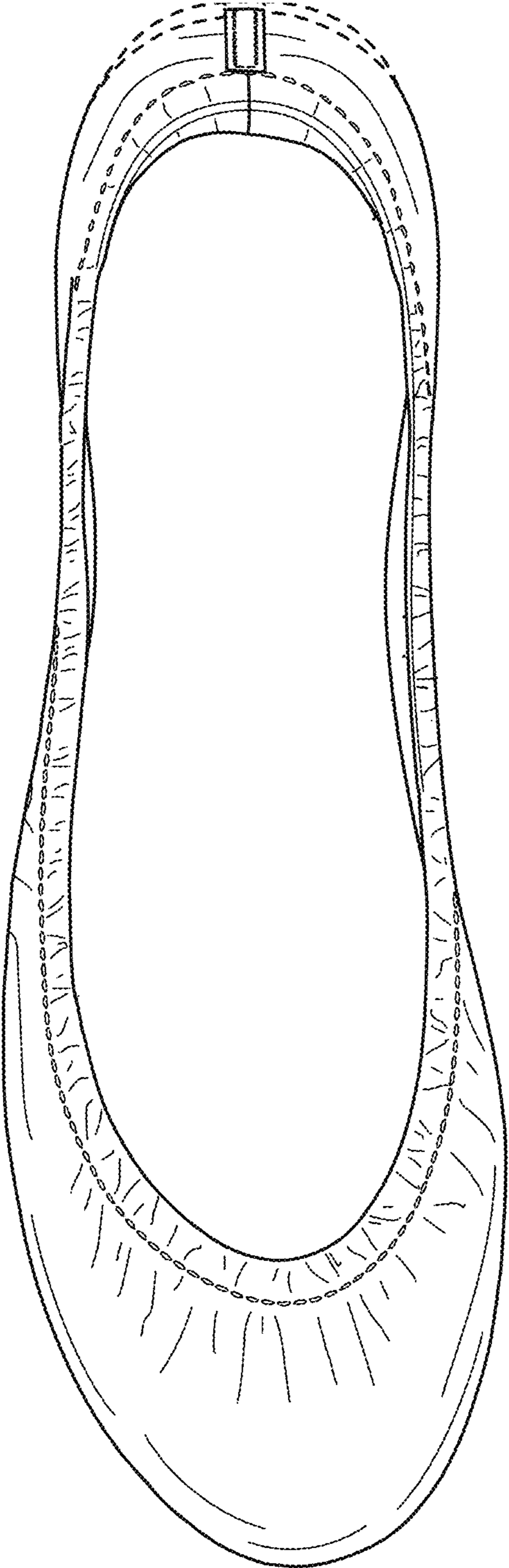


FIG. 11

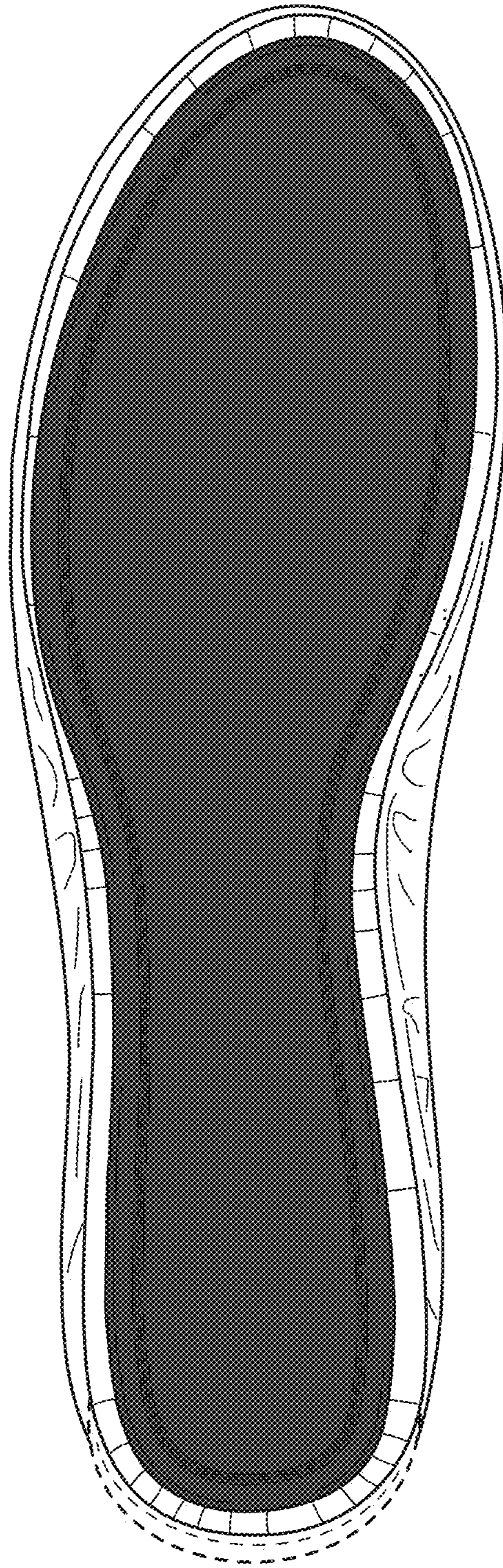


FIG. 12

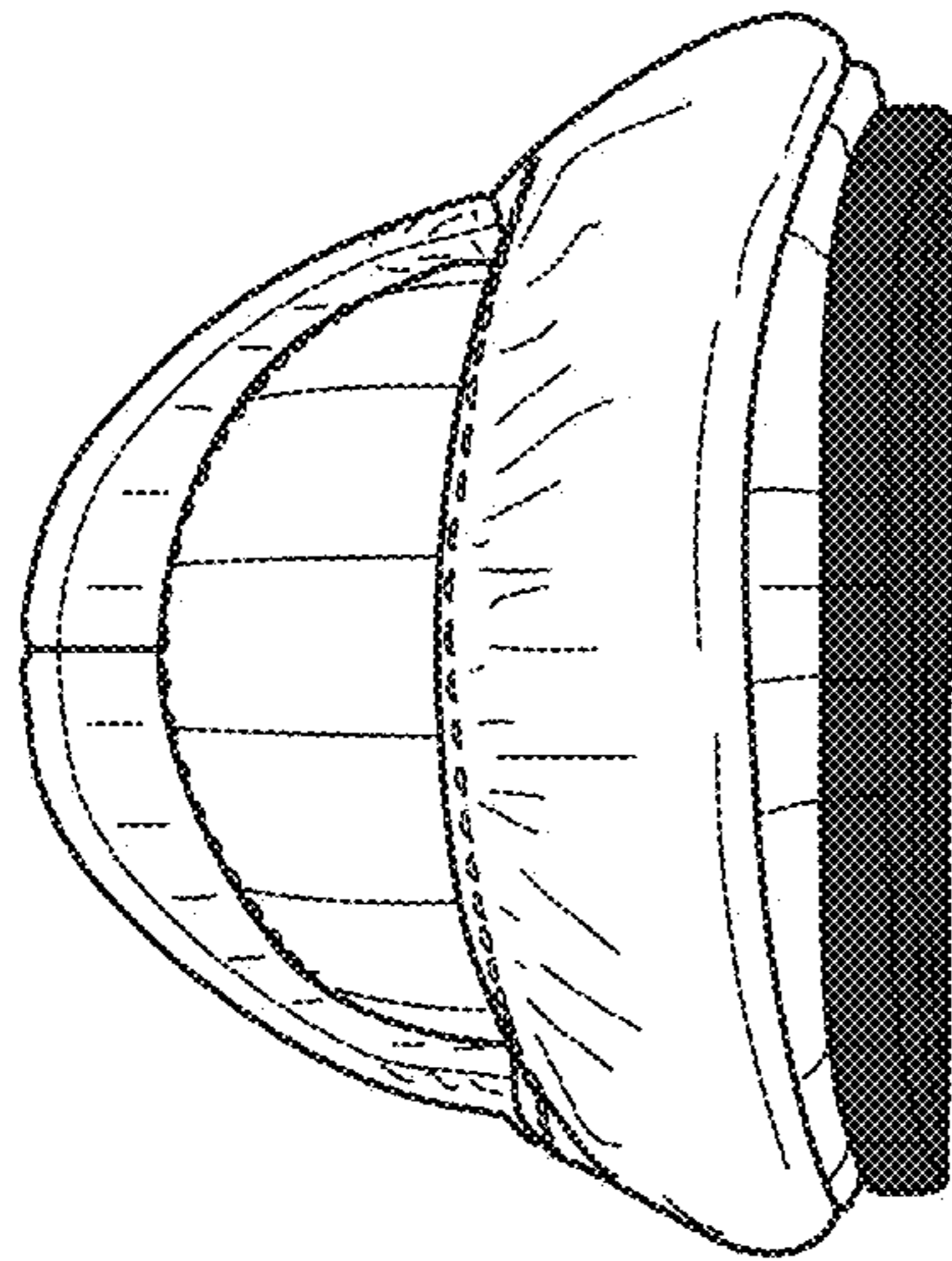


FIG. 13

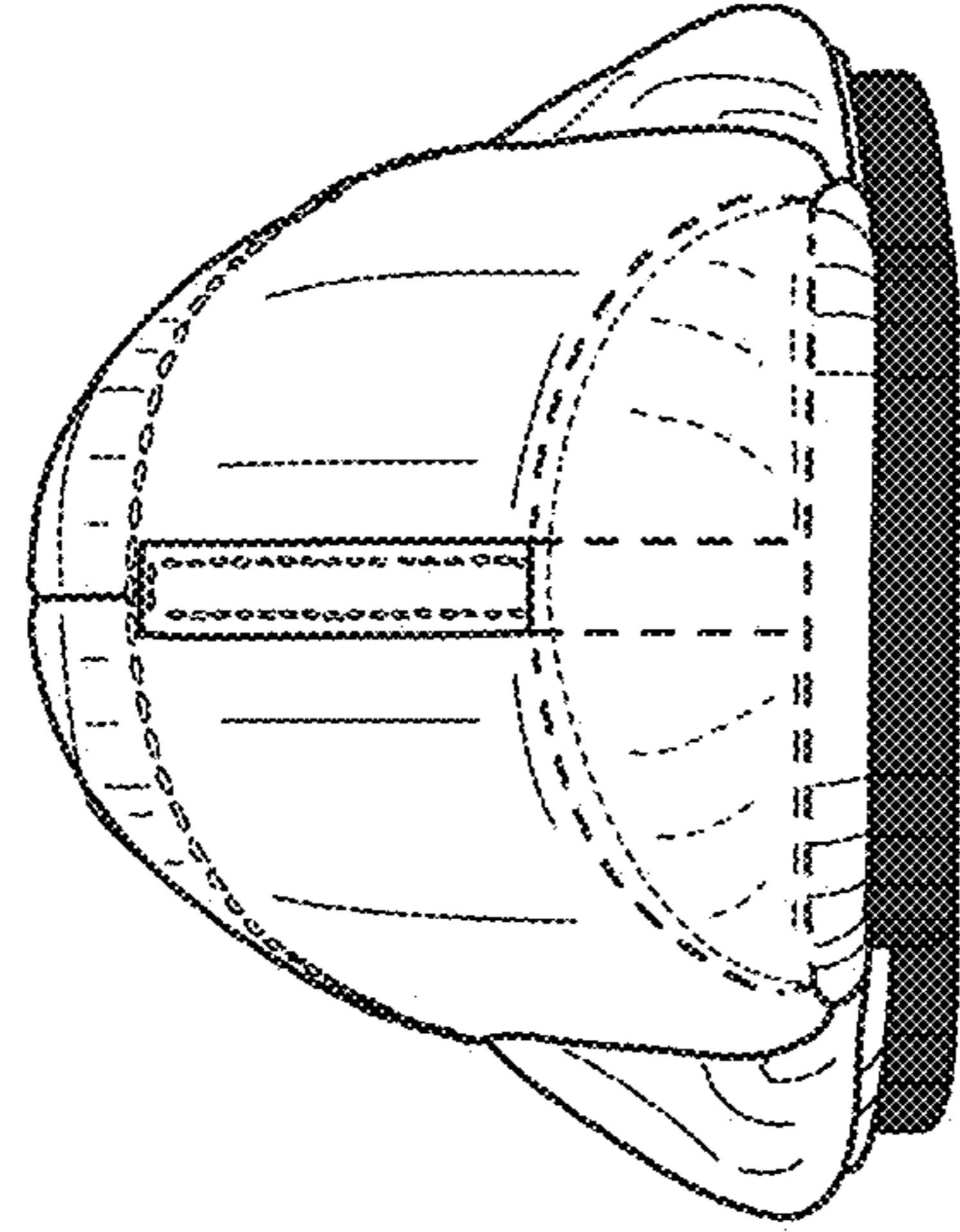


FIG. 14

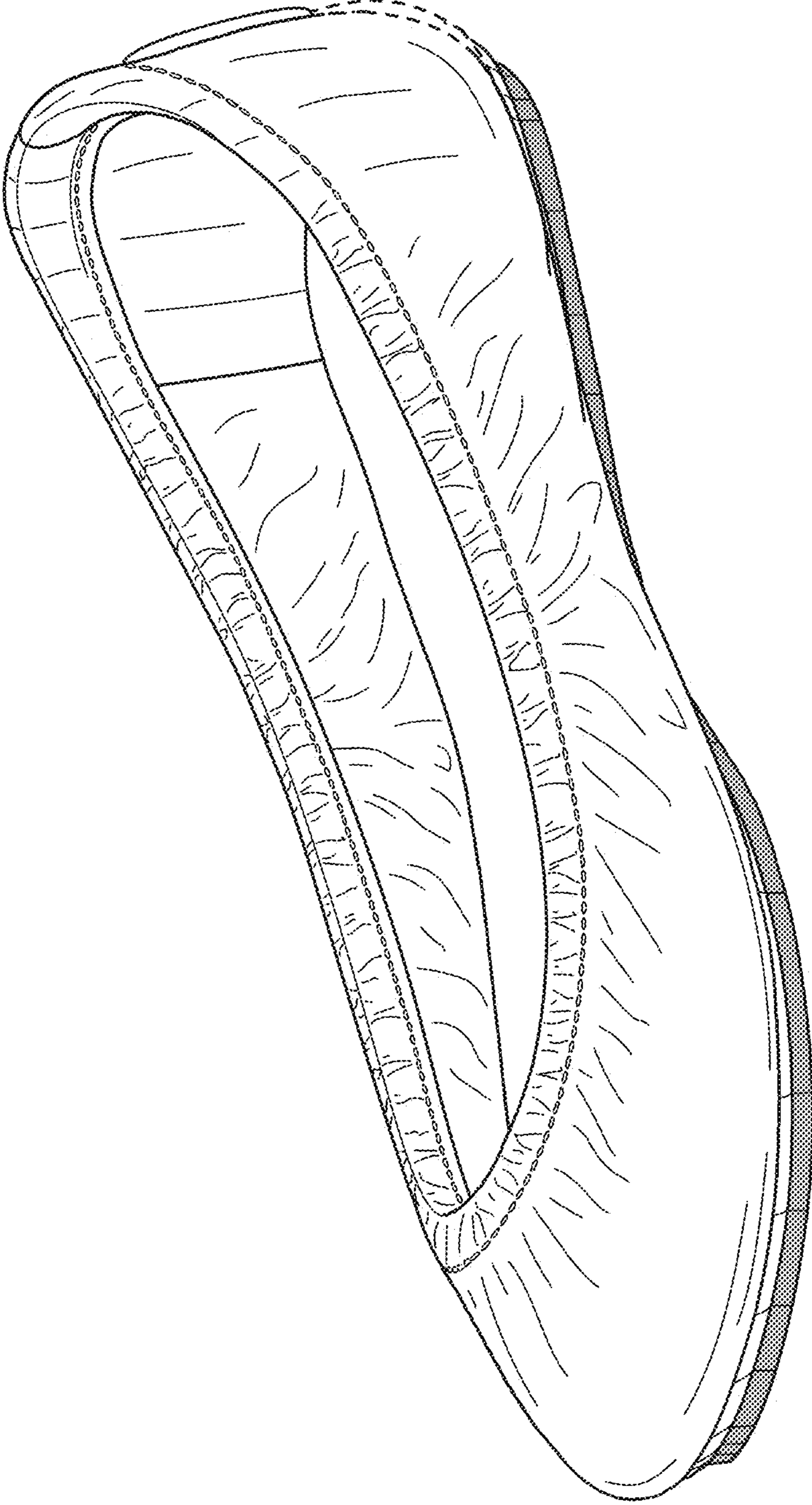


FIG. 15

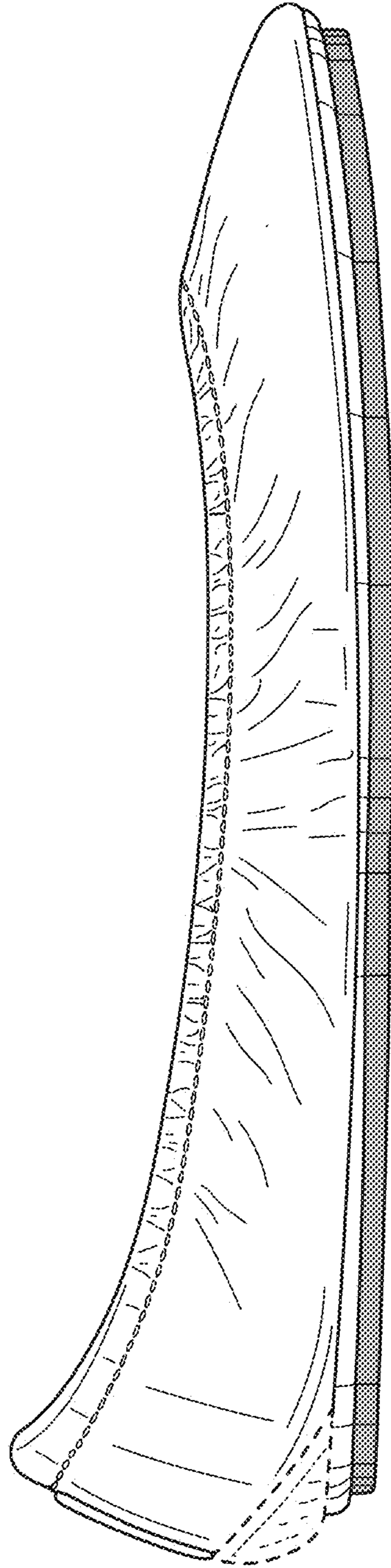


FIG. 16

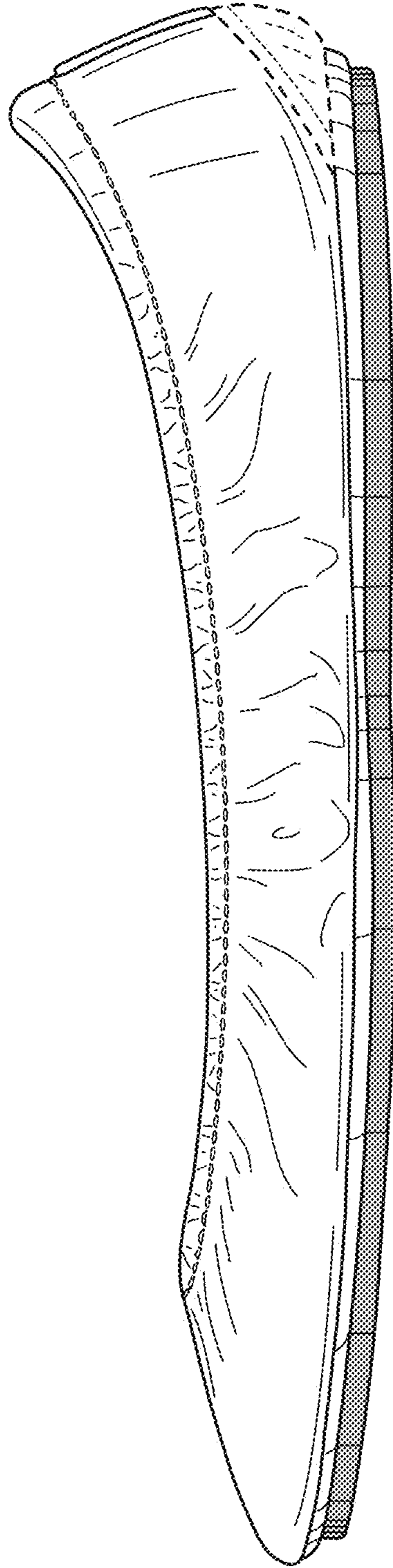


FIG. 17

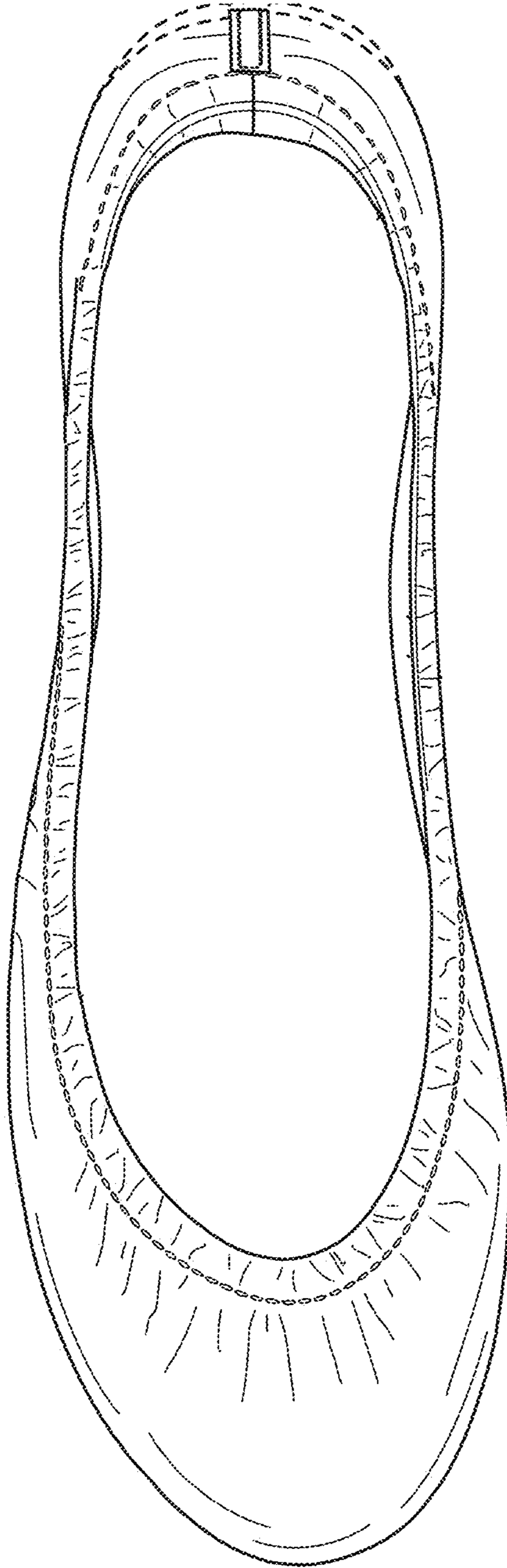


FIG. 18

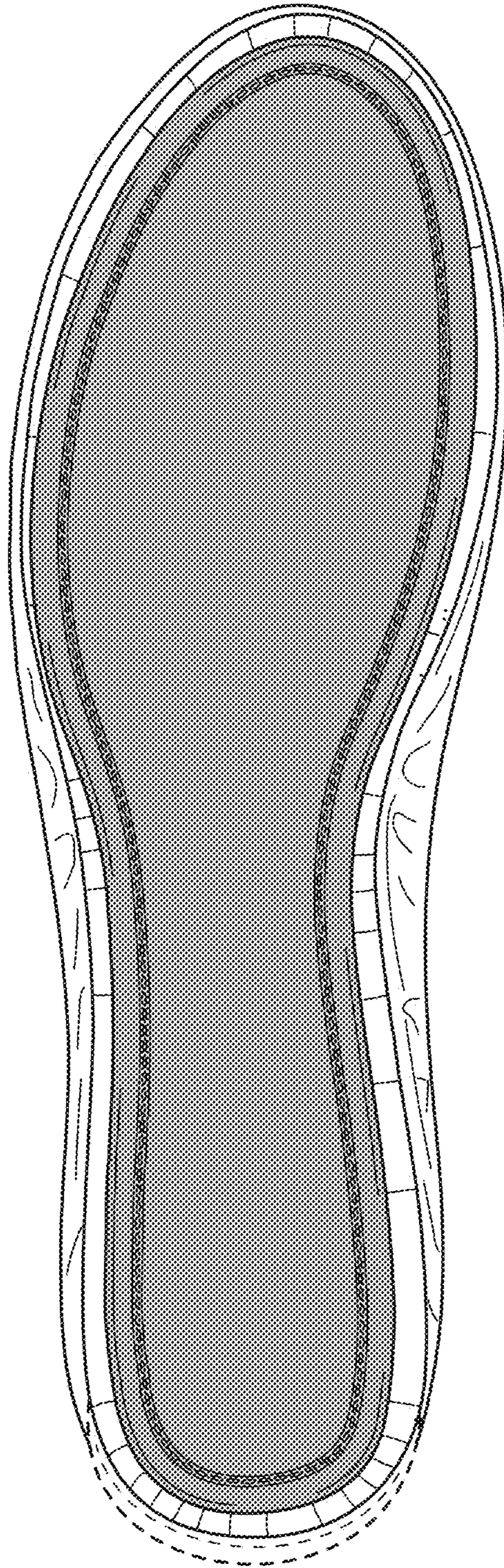


FIG. 19

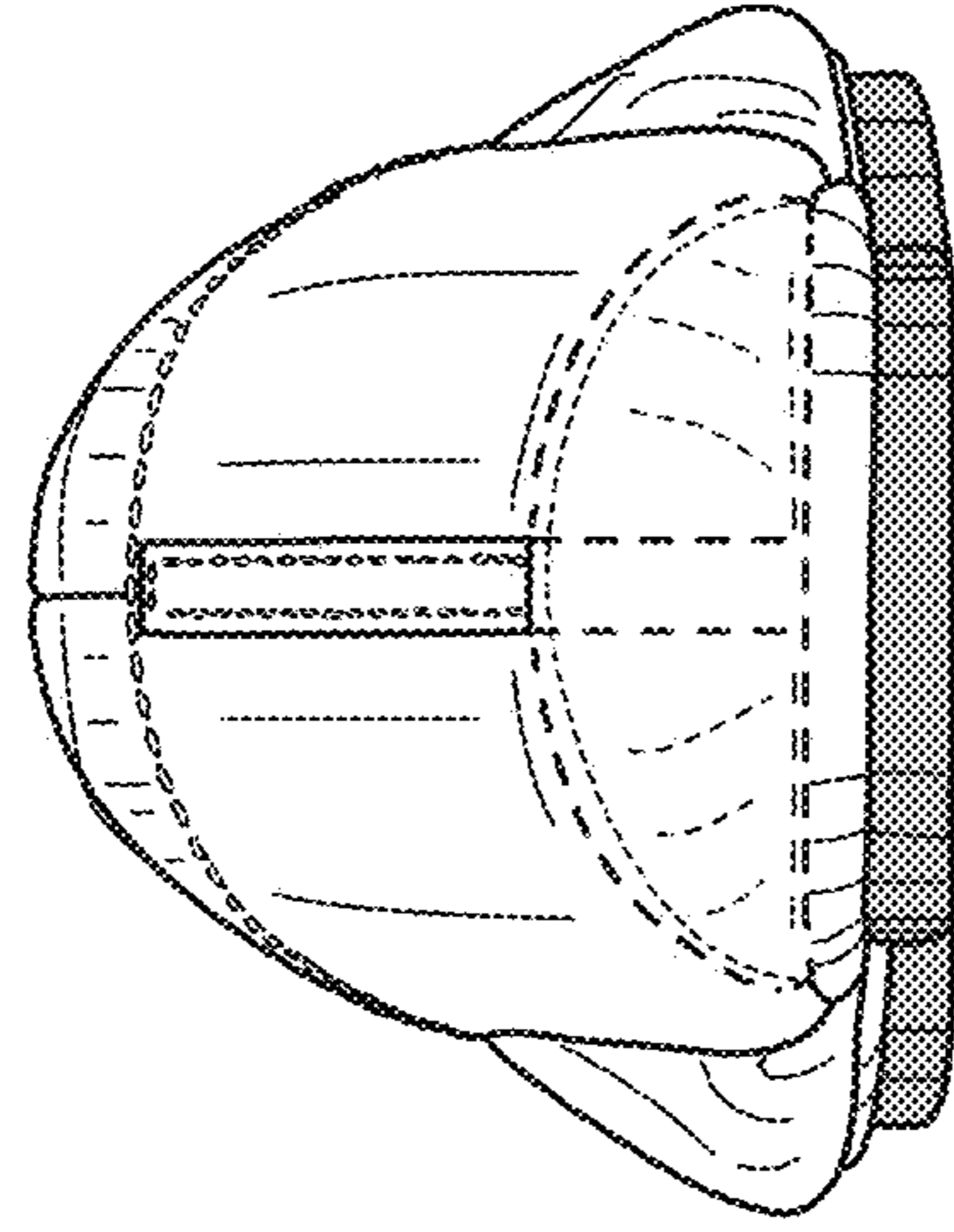


FIG. 20

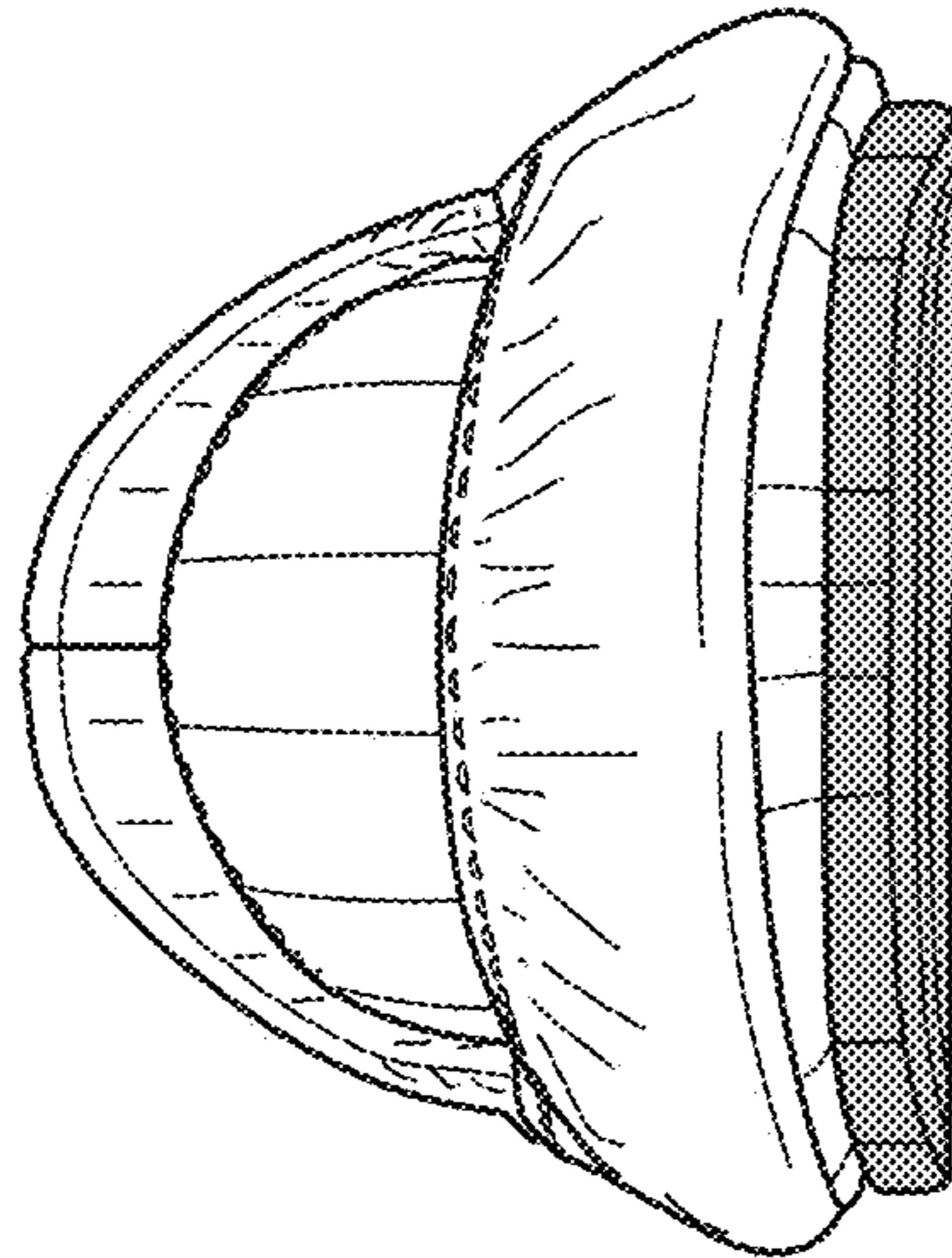


FIG. 21

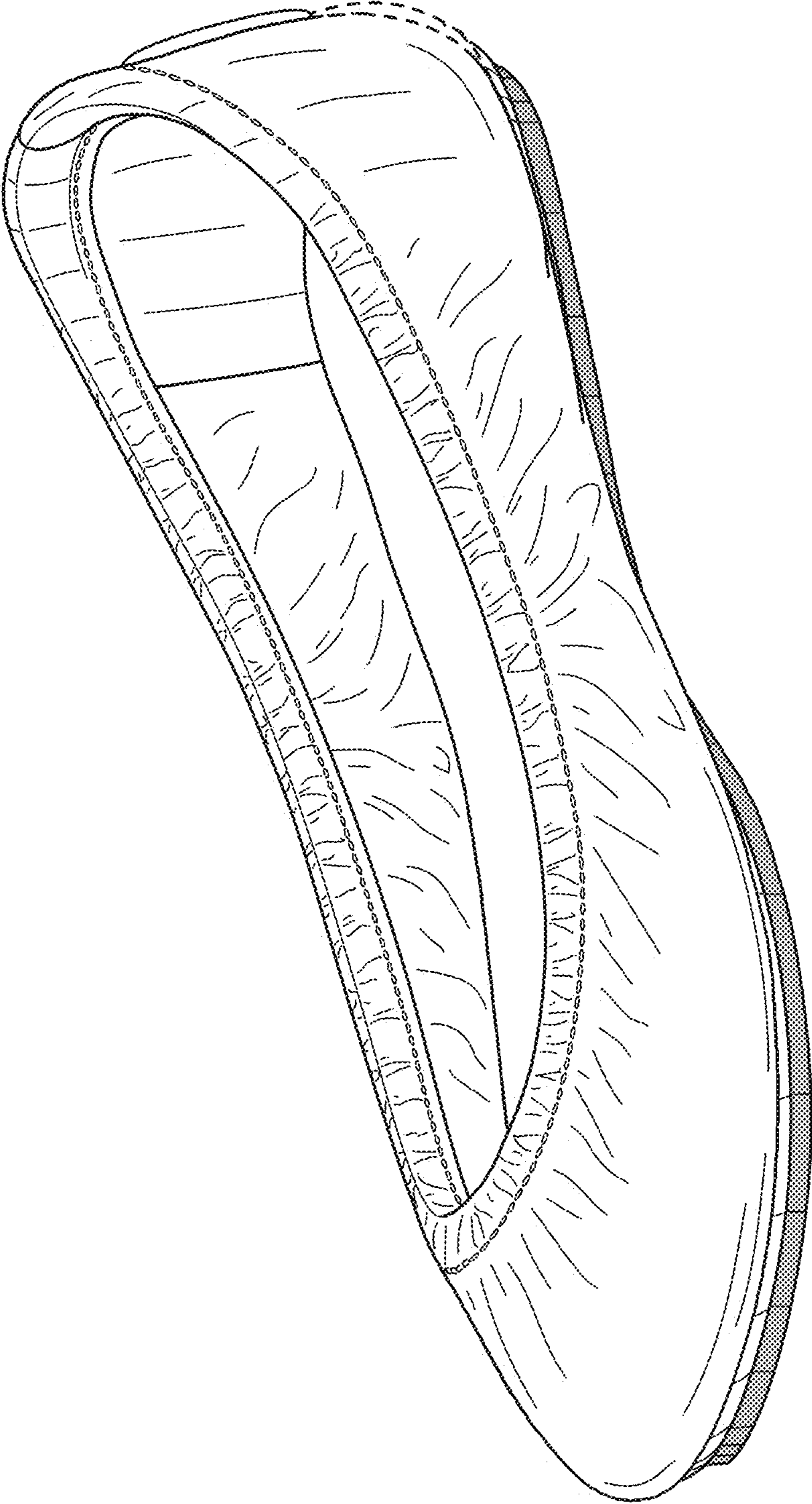


FIG. 22

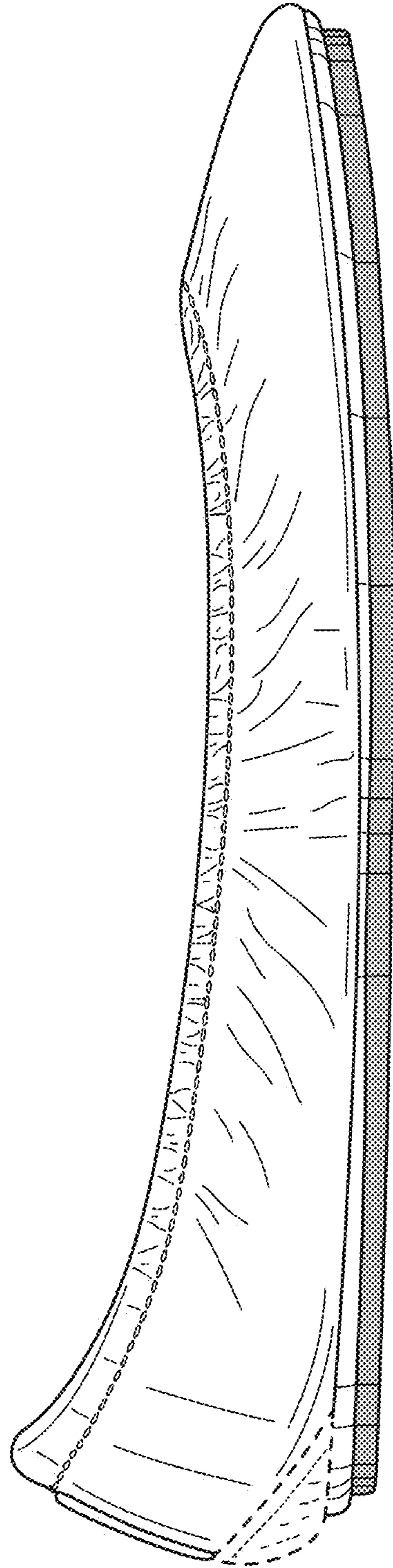


FIG. 23

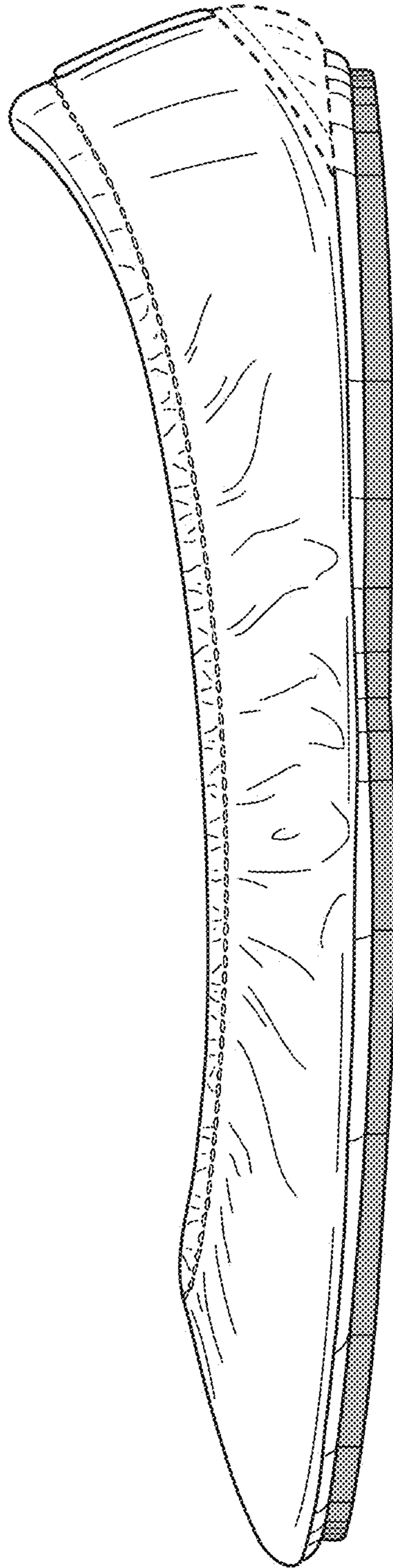


FIG. 24

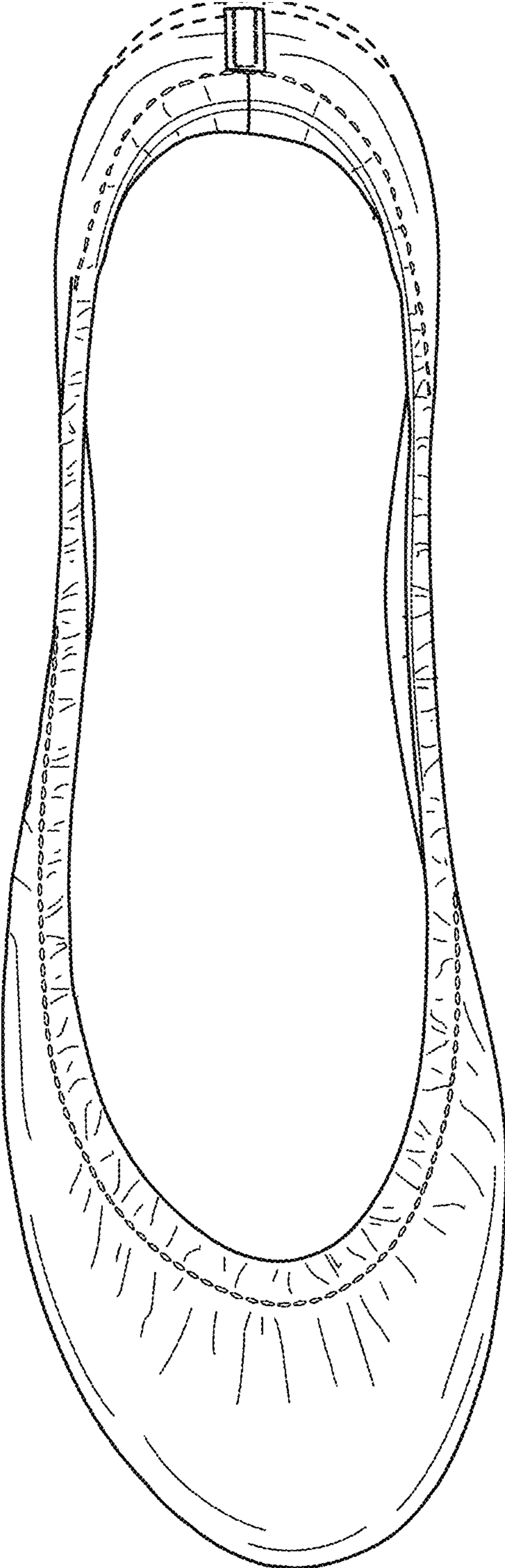


FIG. 25

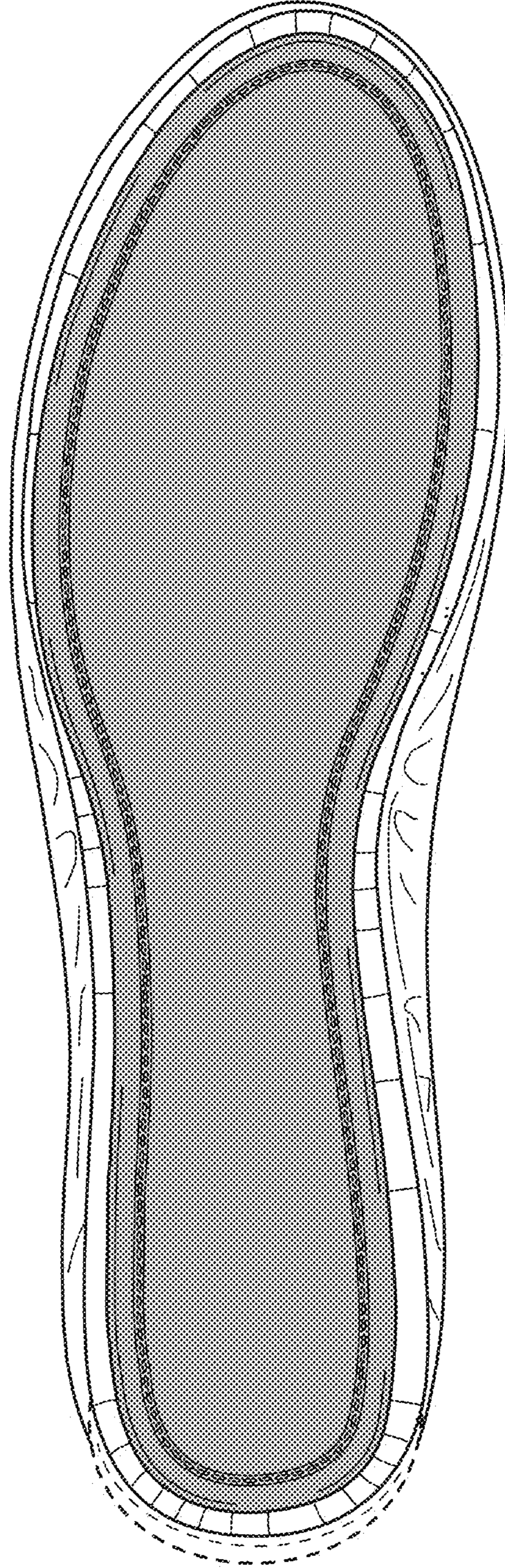


FIG. 26

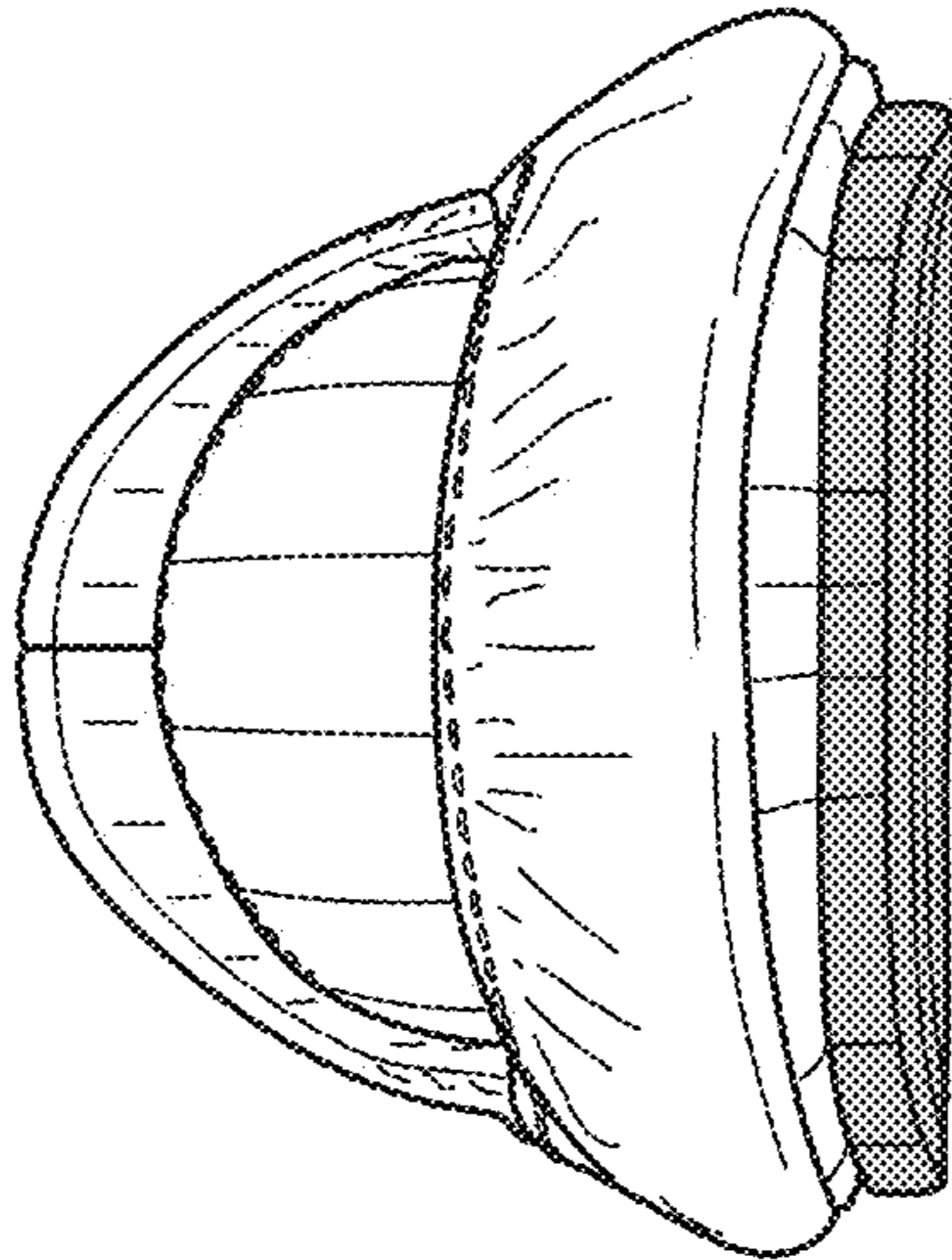


FIG. 27

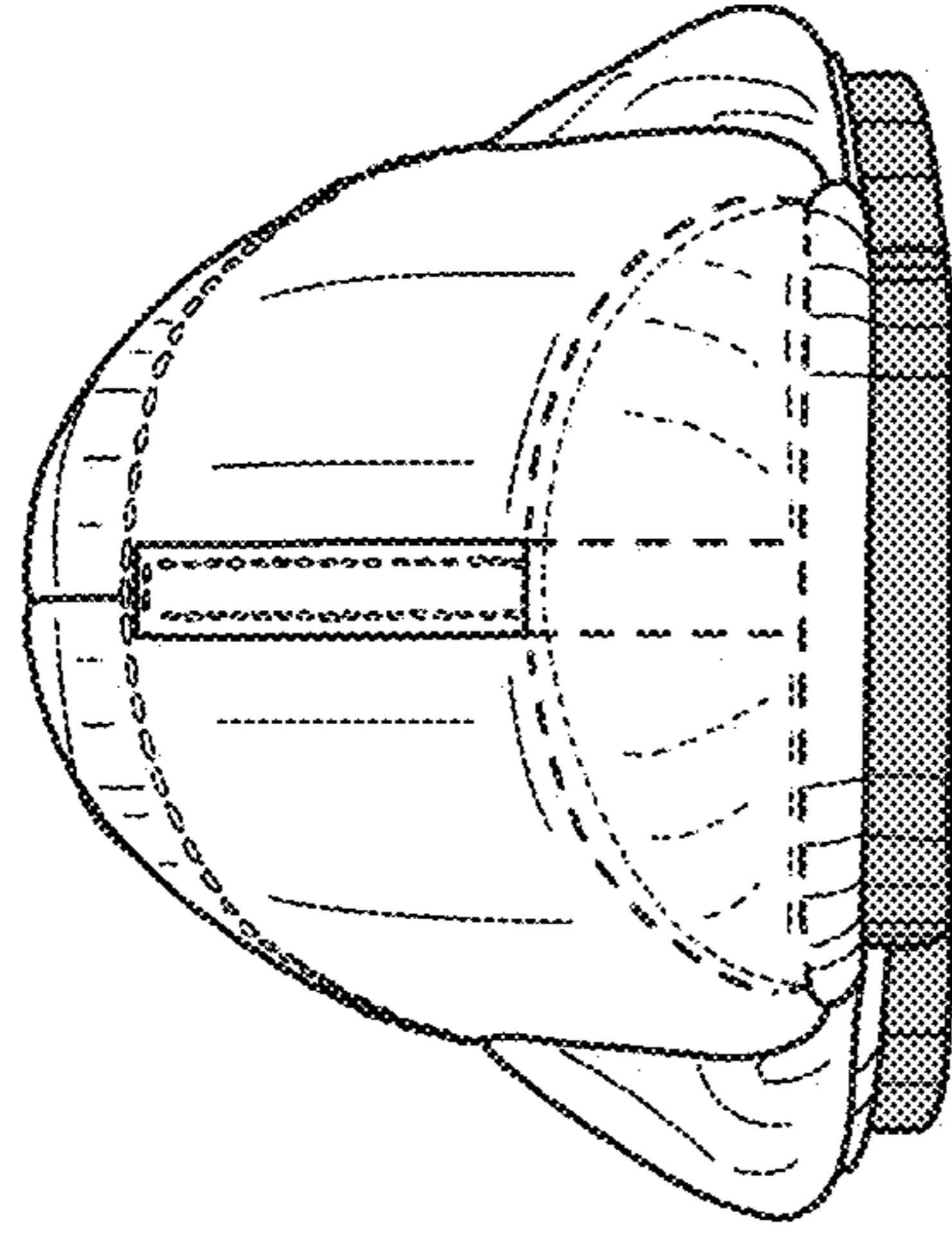


FIG. 28

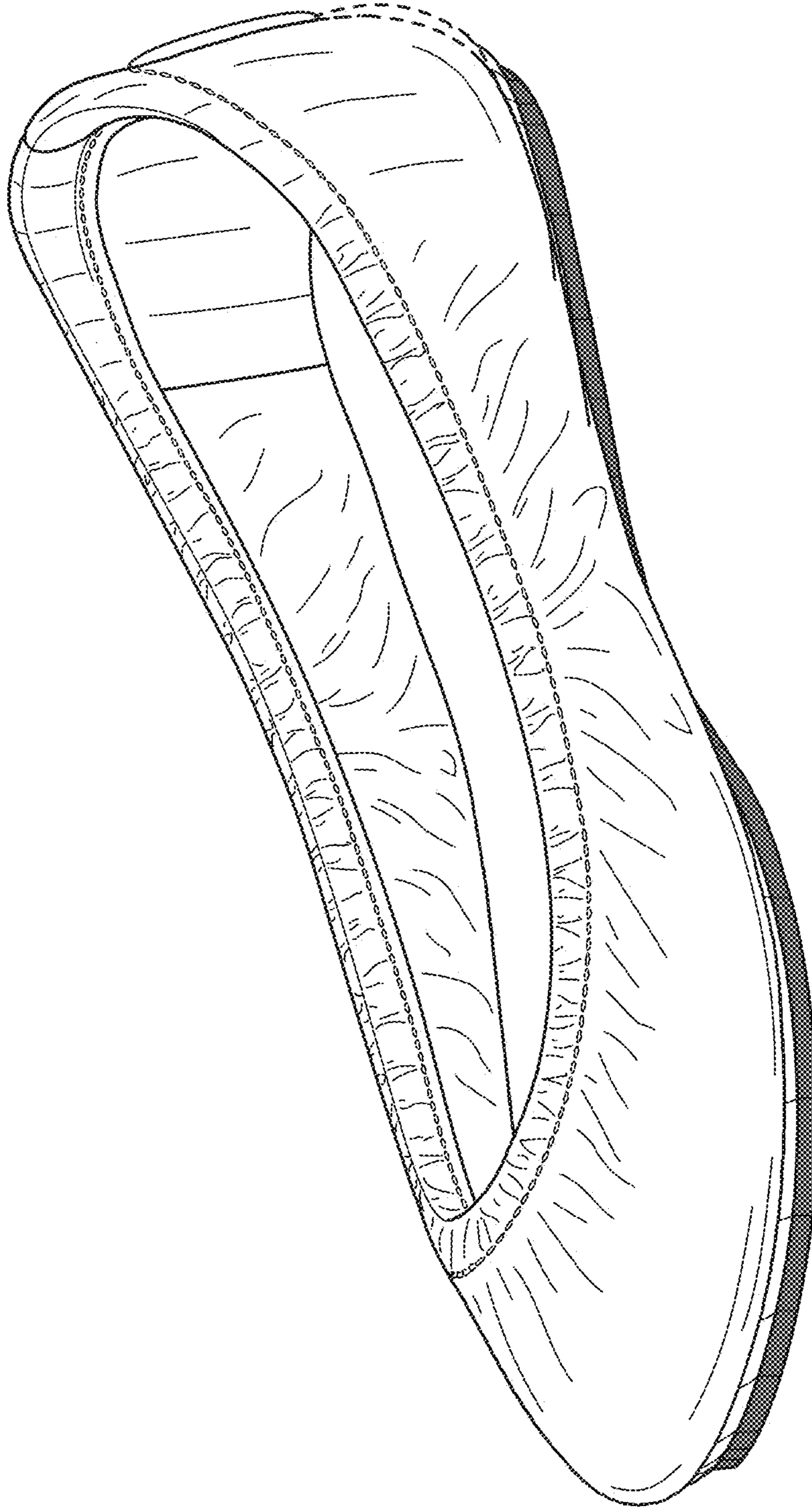


FIG. 29

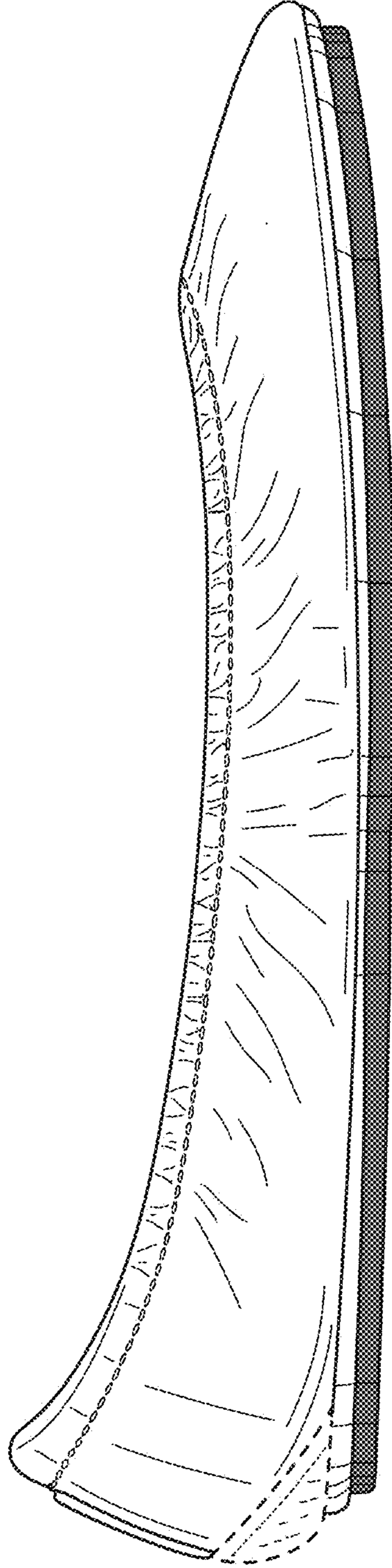


FIG. 30

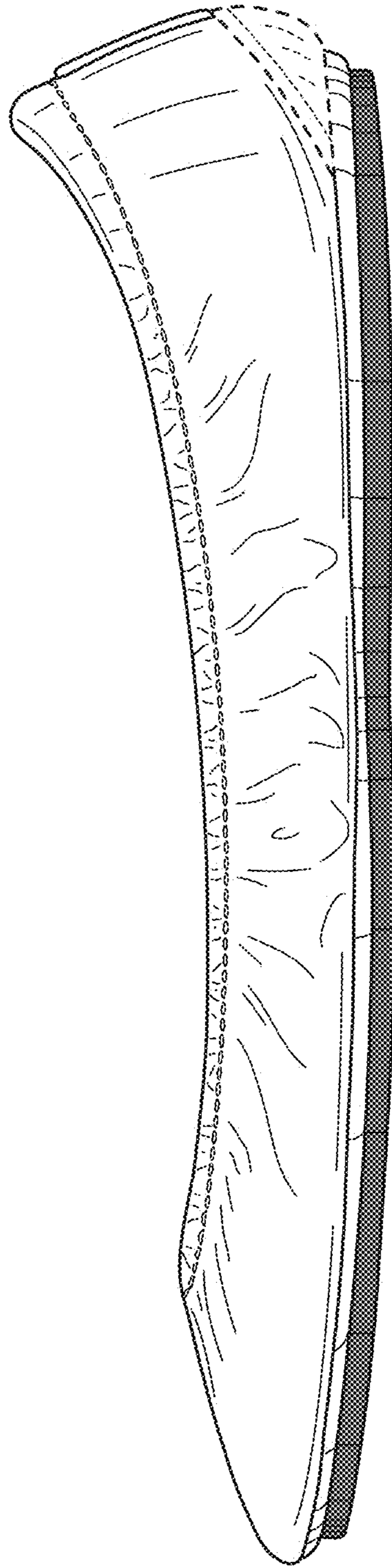


FIG. 31

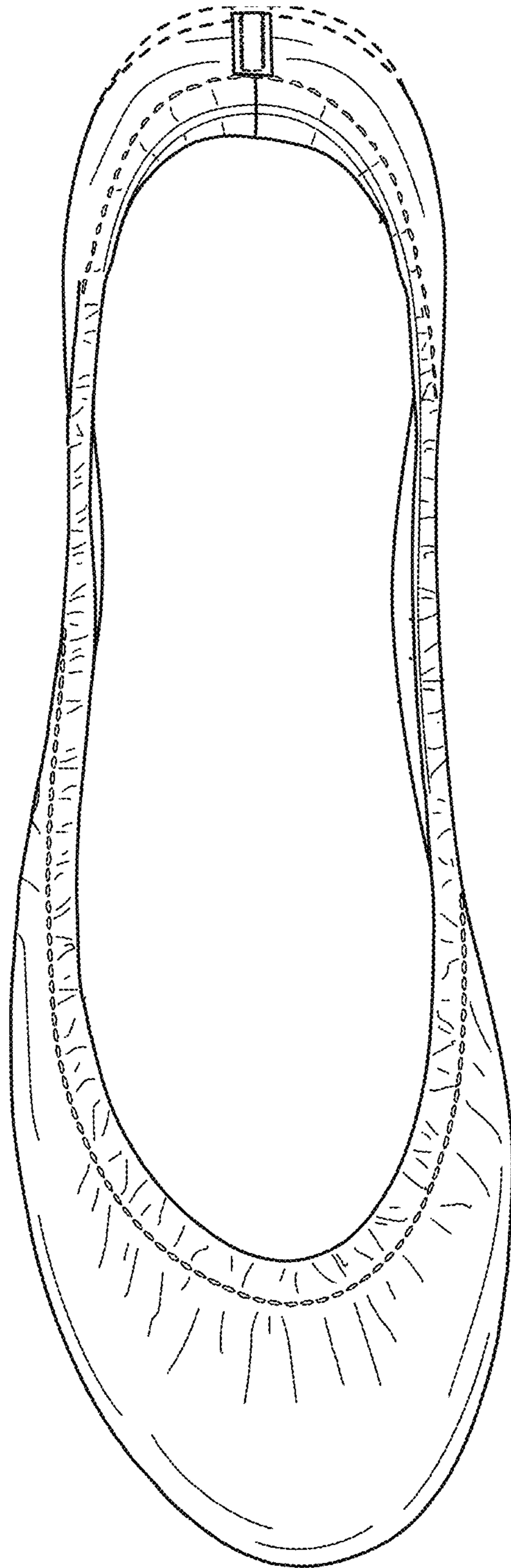


FIG. 32

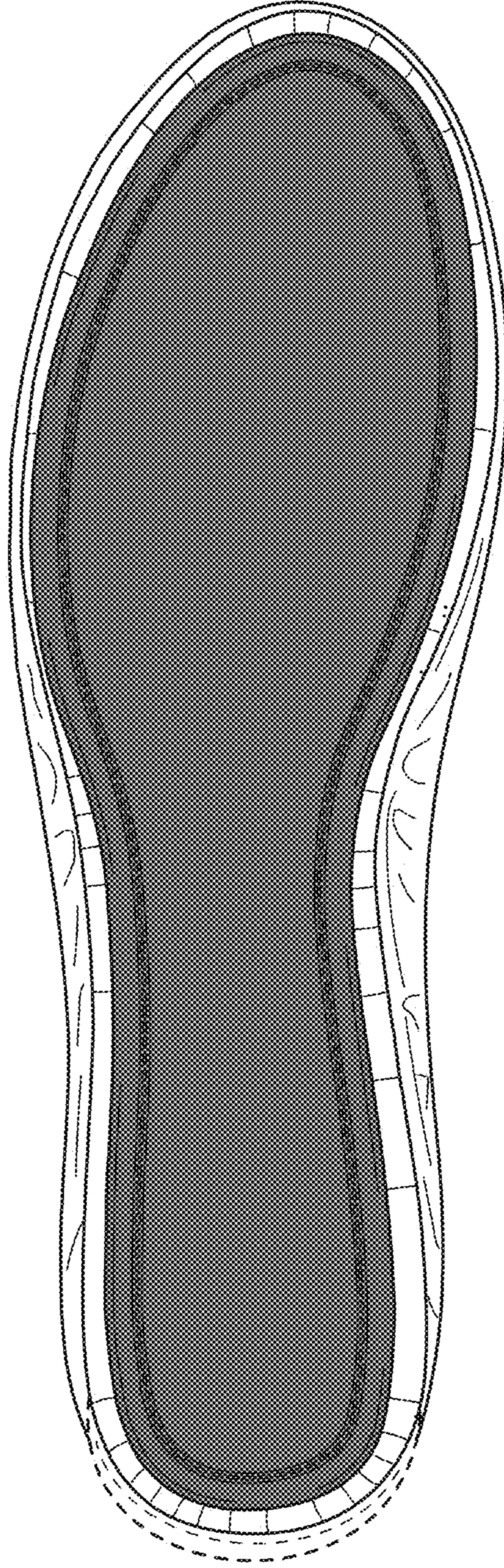


FIG. 33

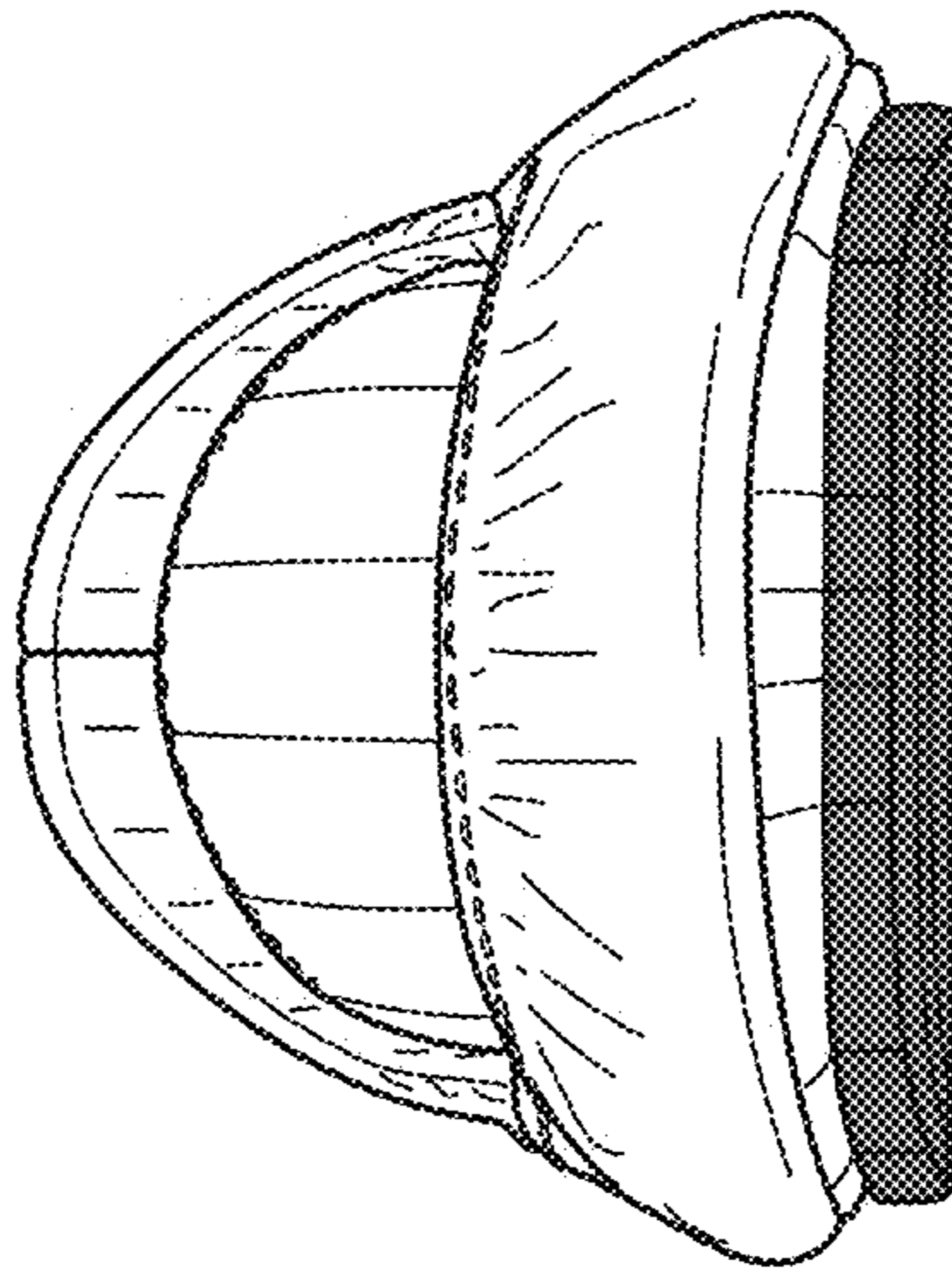


FIG. 34

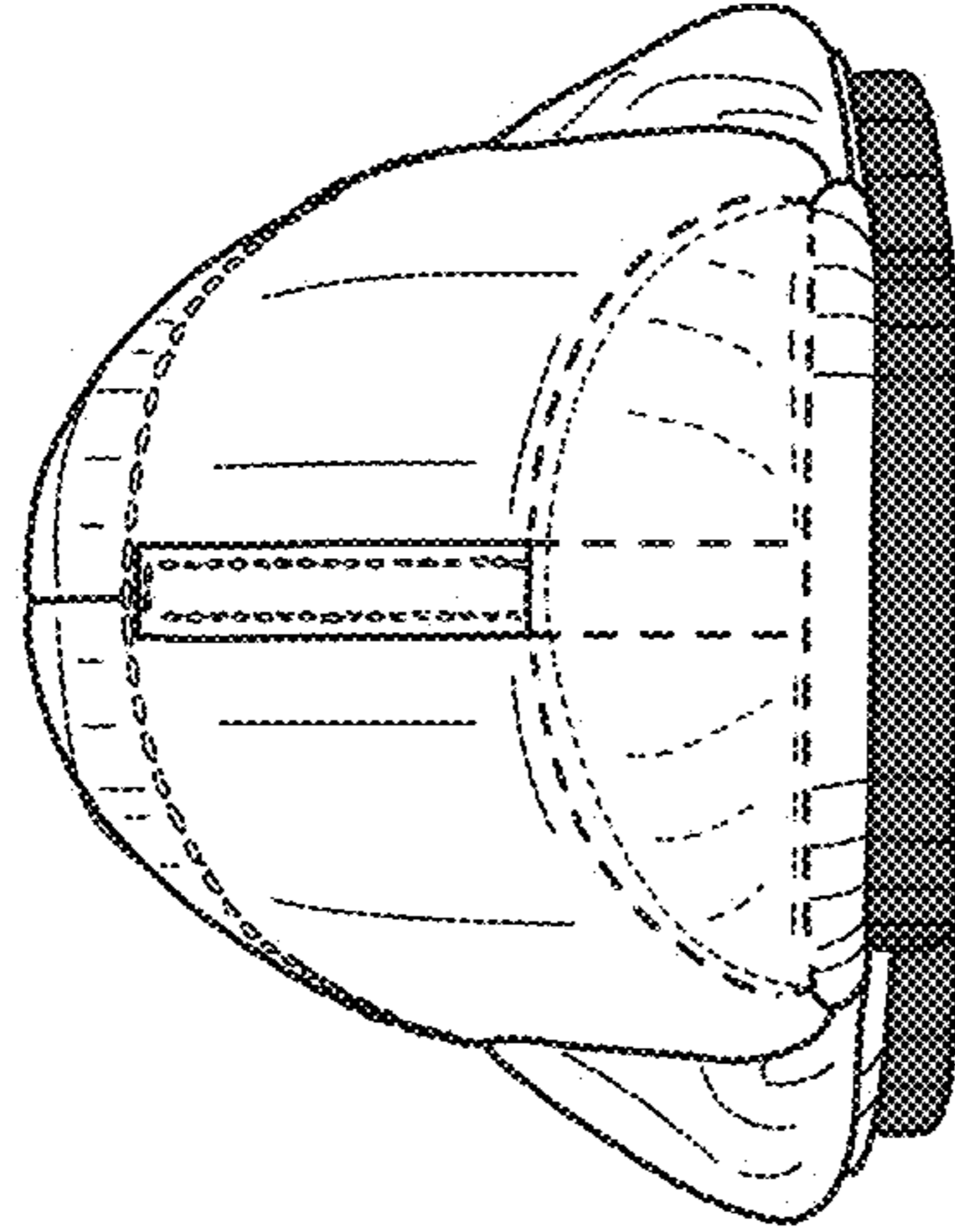


FIG. 35

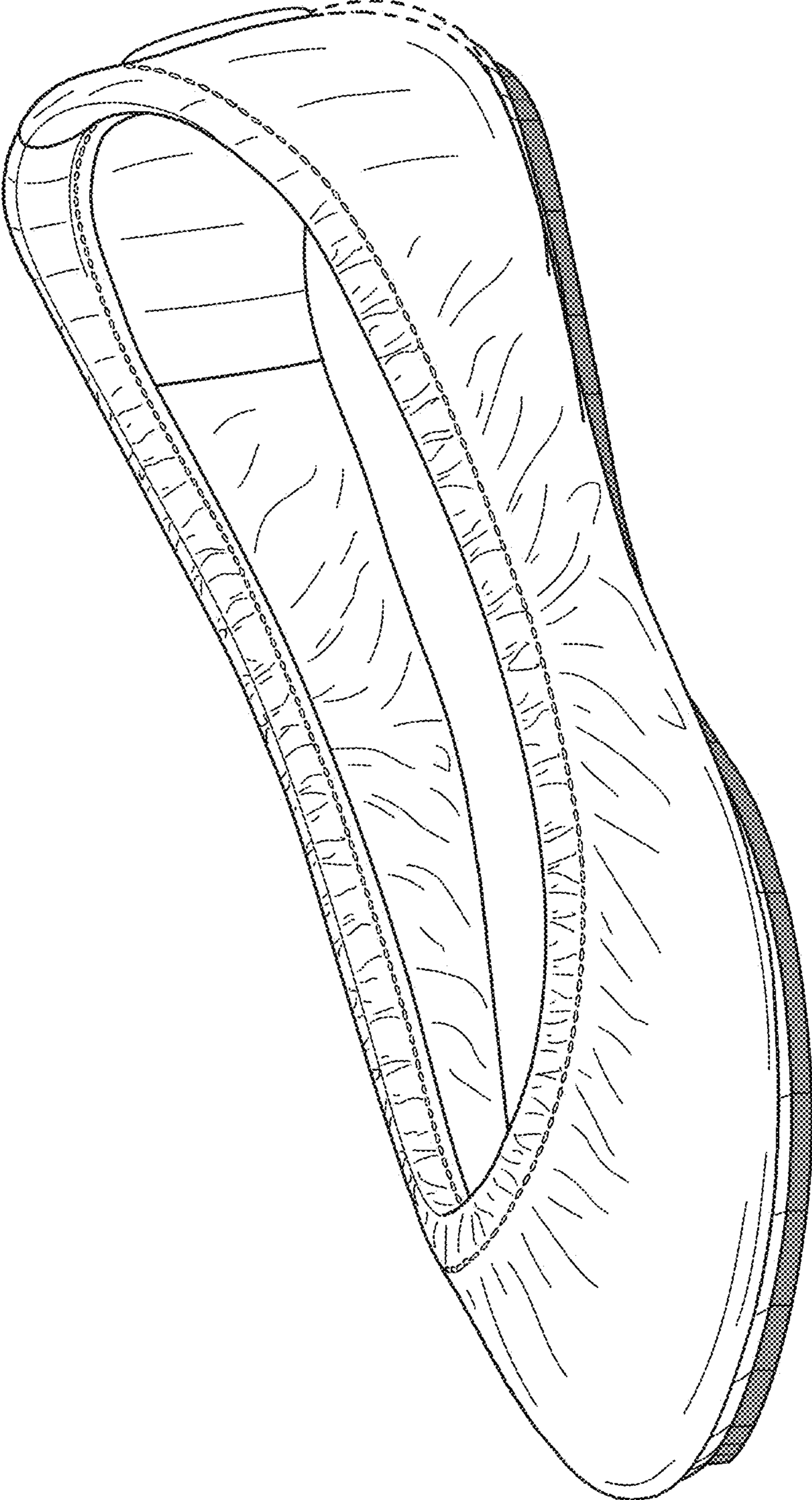


FIG. 36

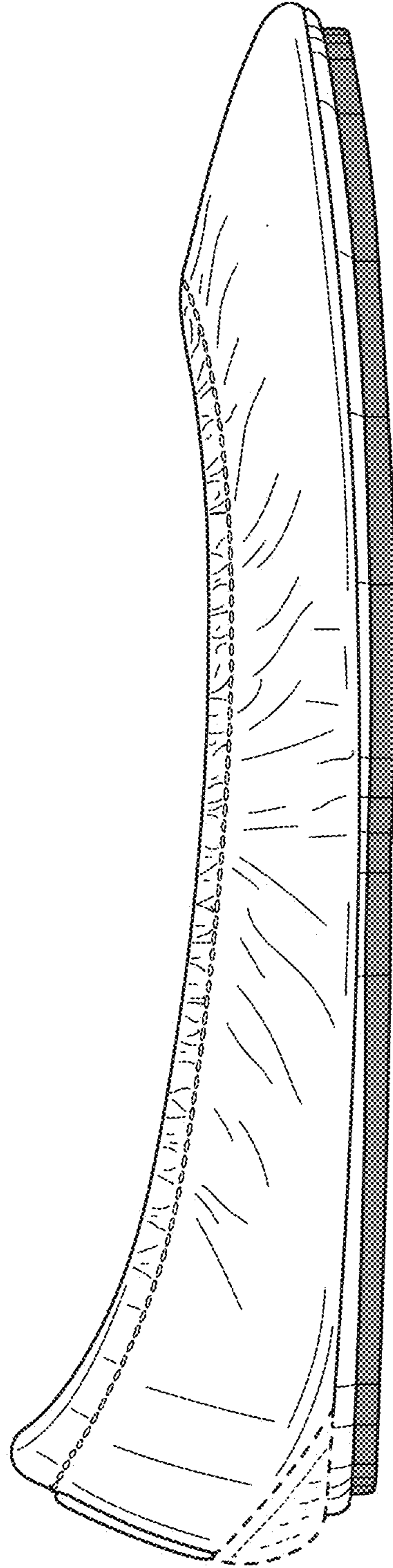


FIG. 37

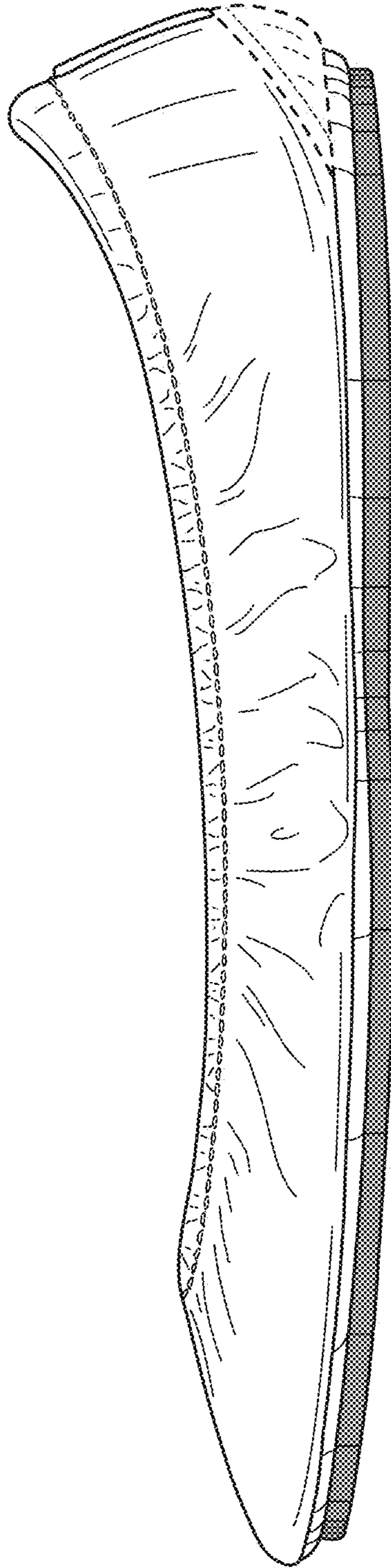


FIG. 38

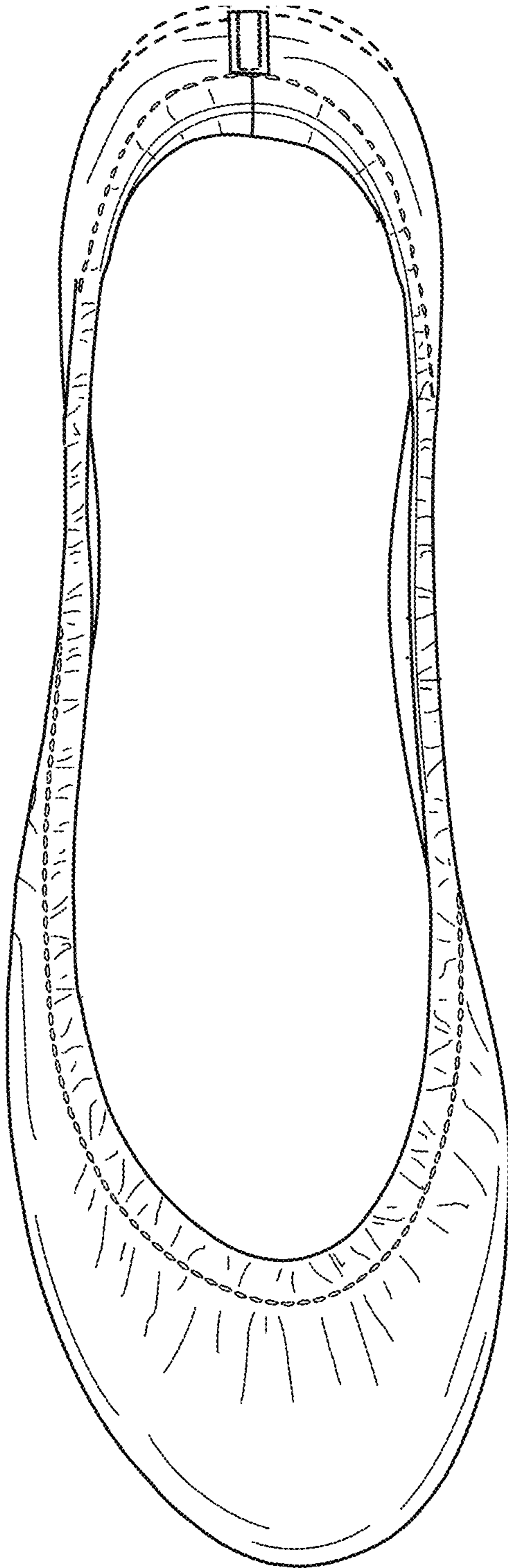


FIG. 39

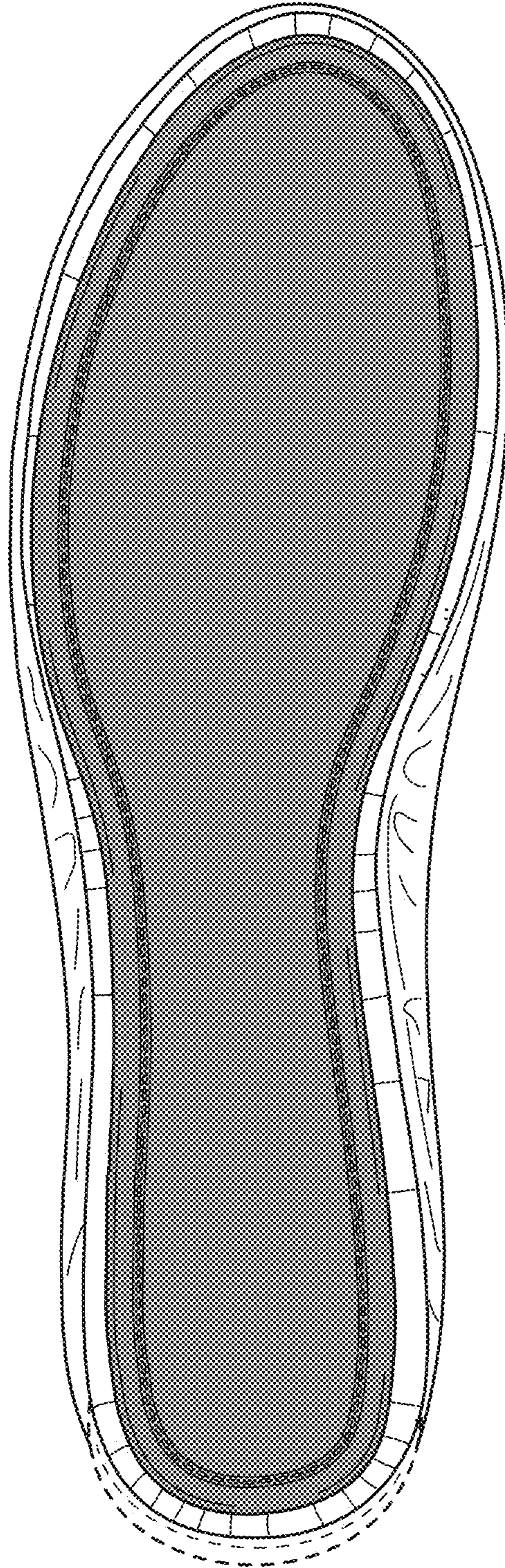


FIG. 40

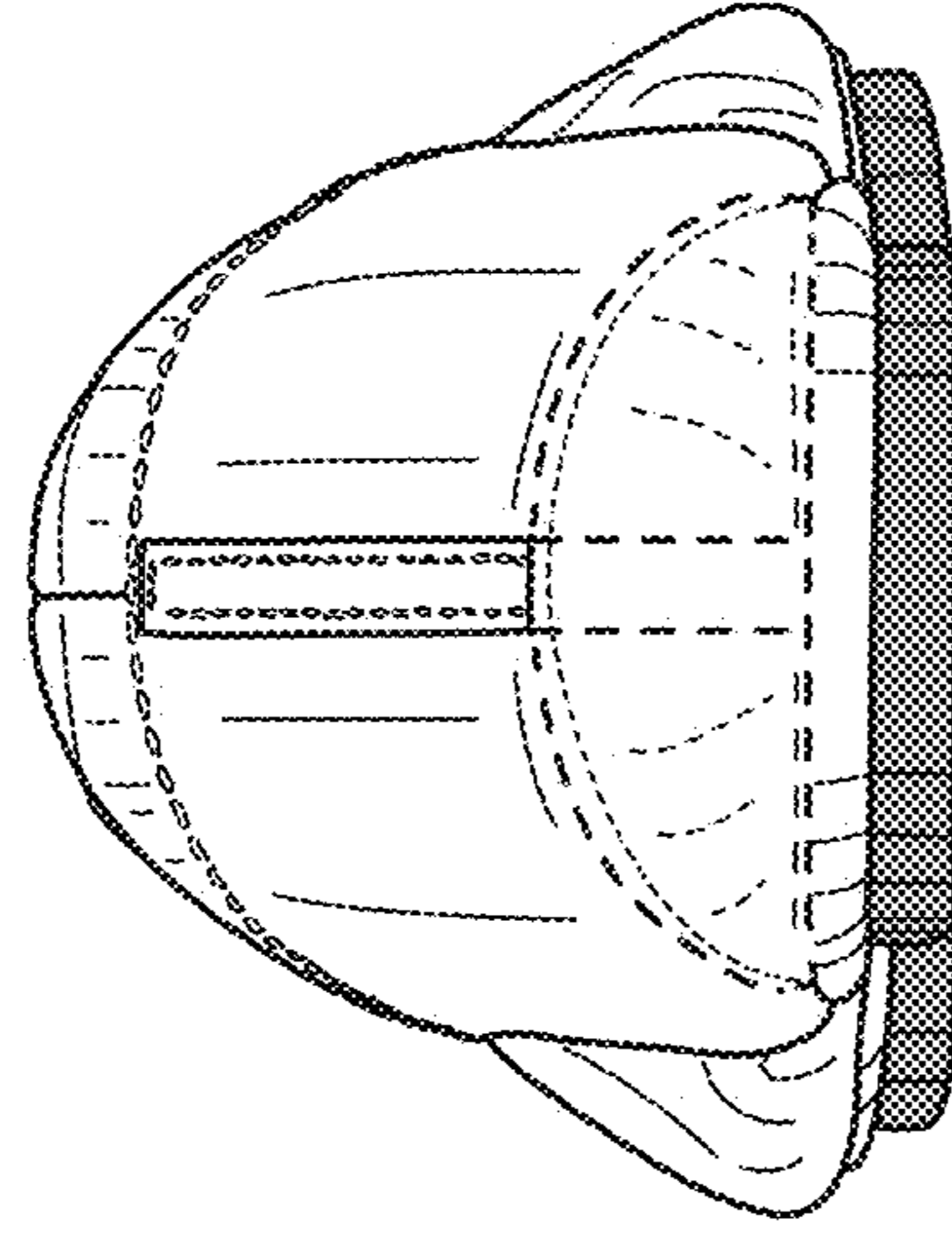


FIG. 41

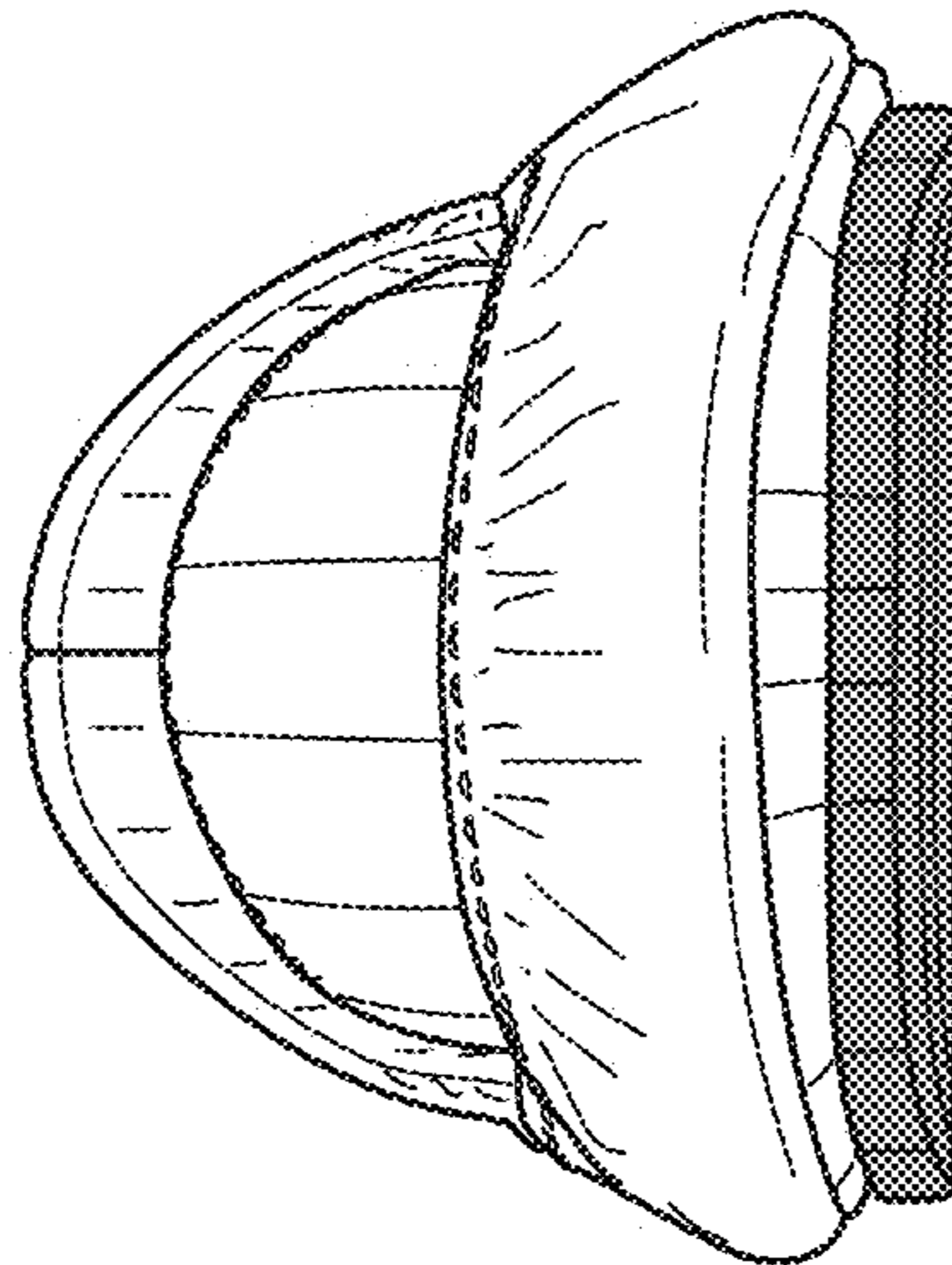


FIG. 42

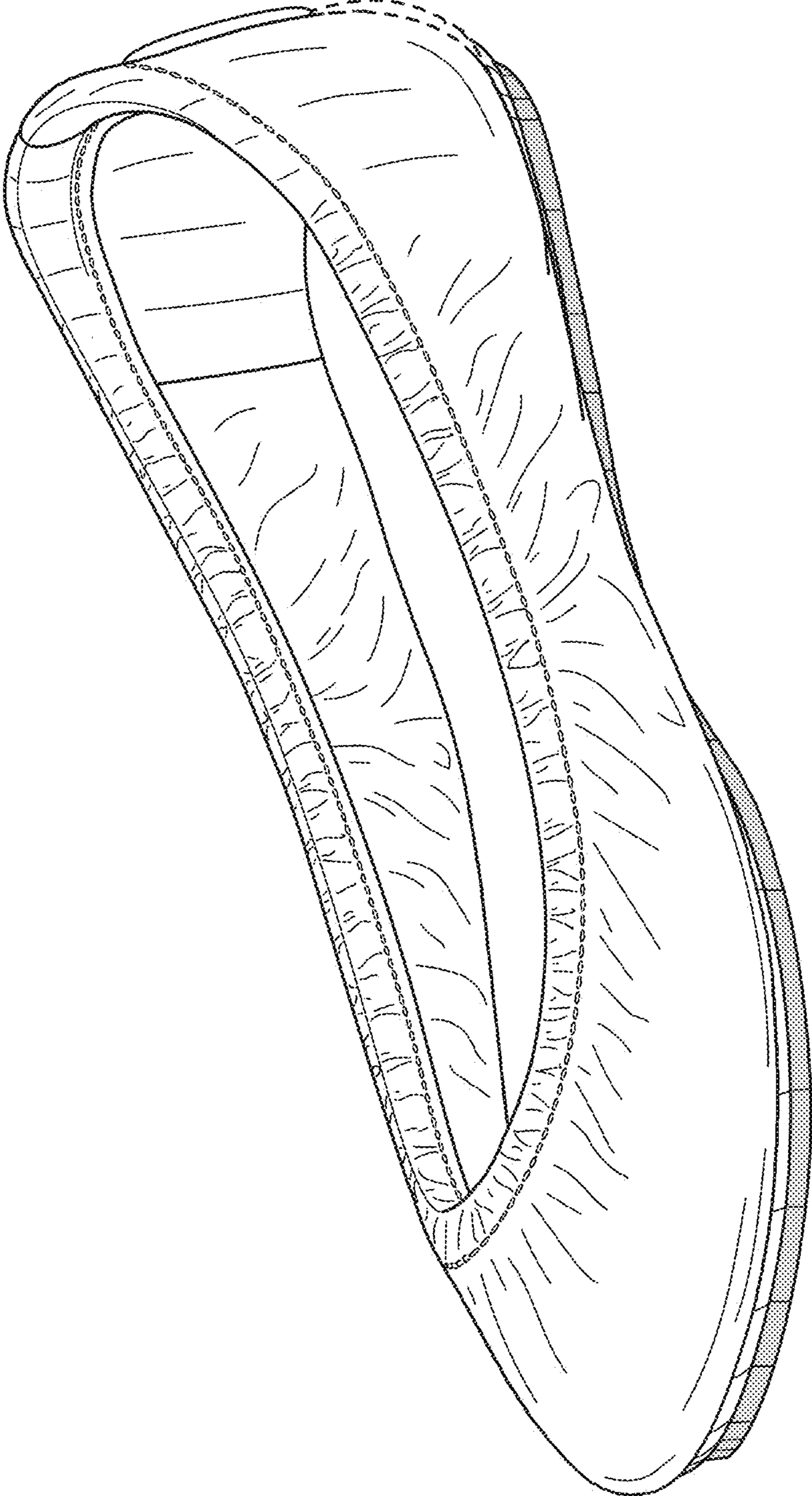


FIG. 43

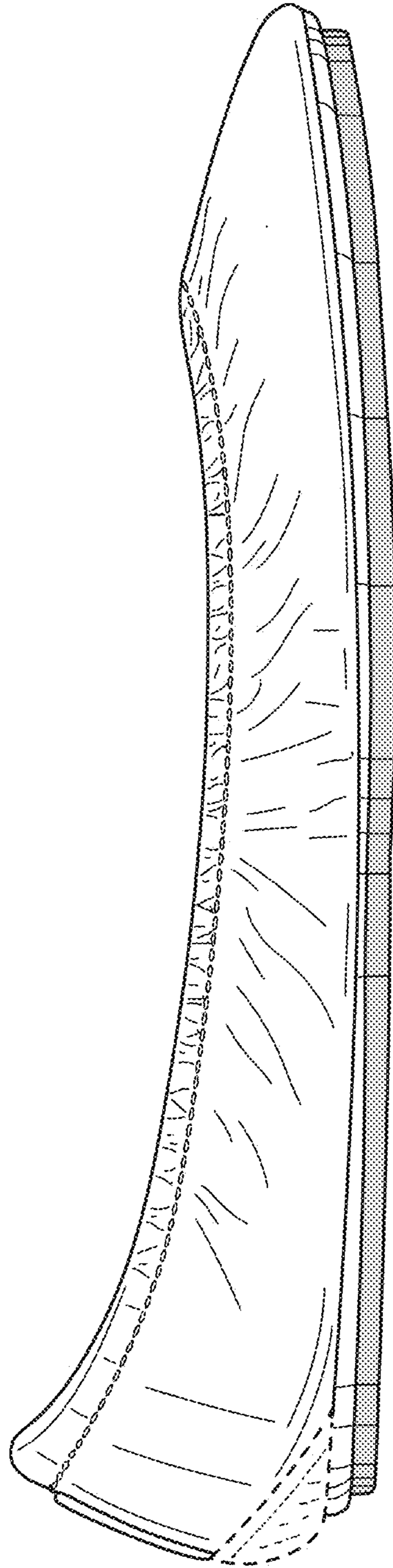


FIG. 44

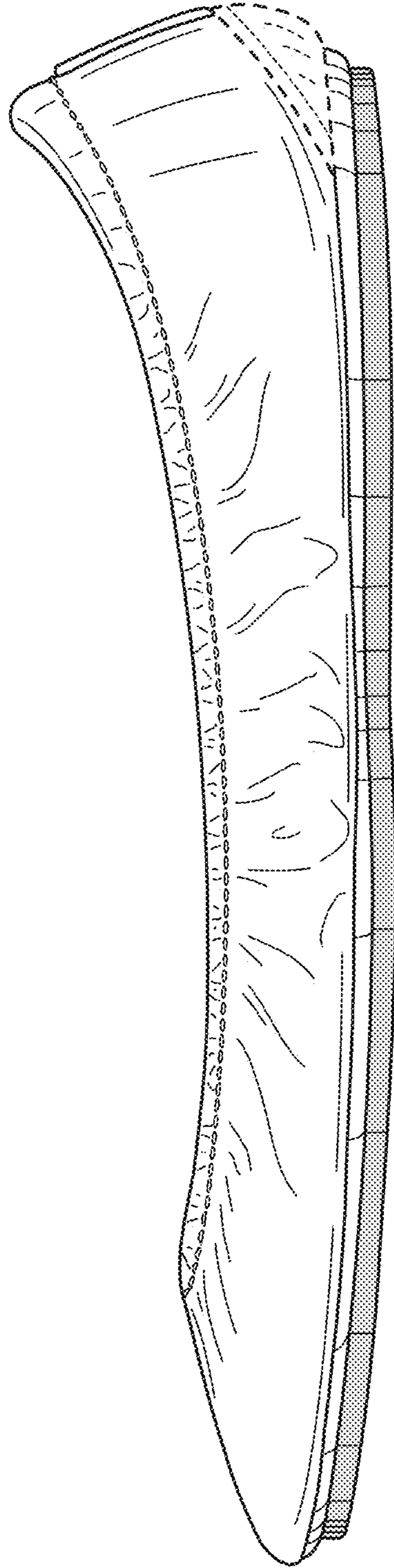


FIG. 45

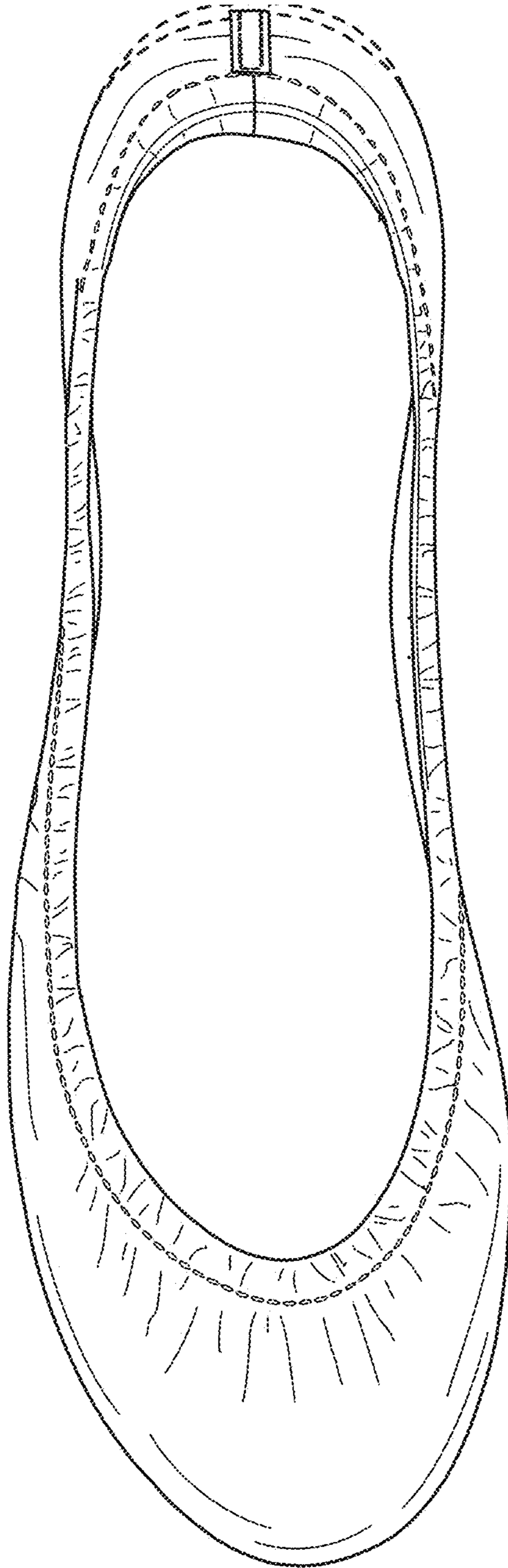


FIG. 46

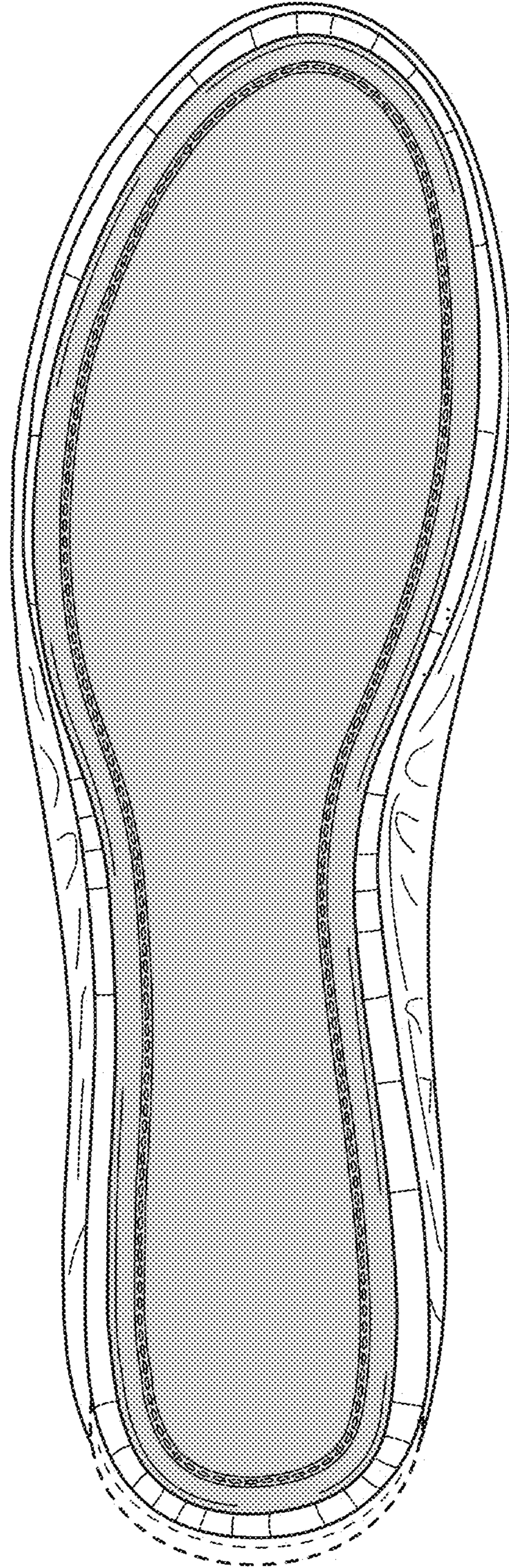


FIG. 47

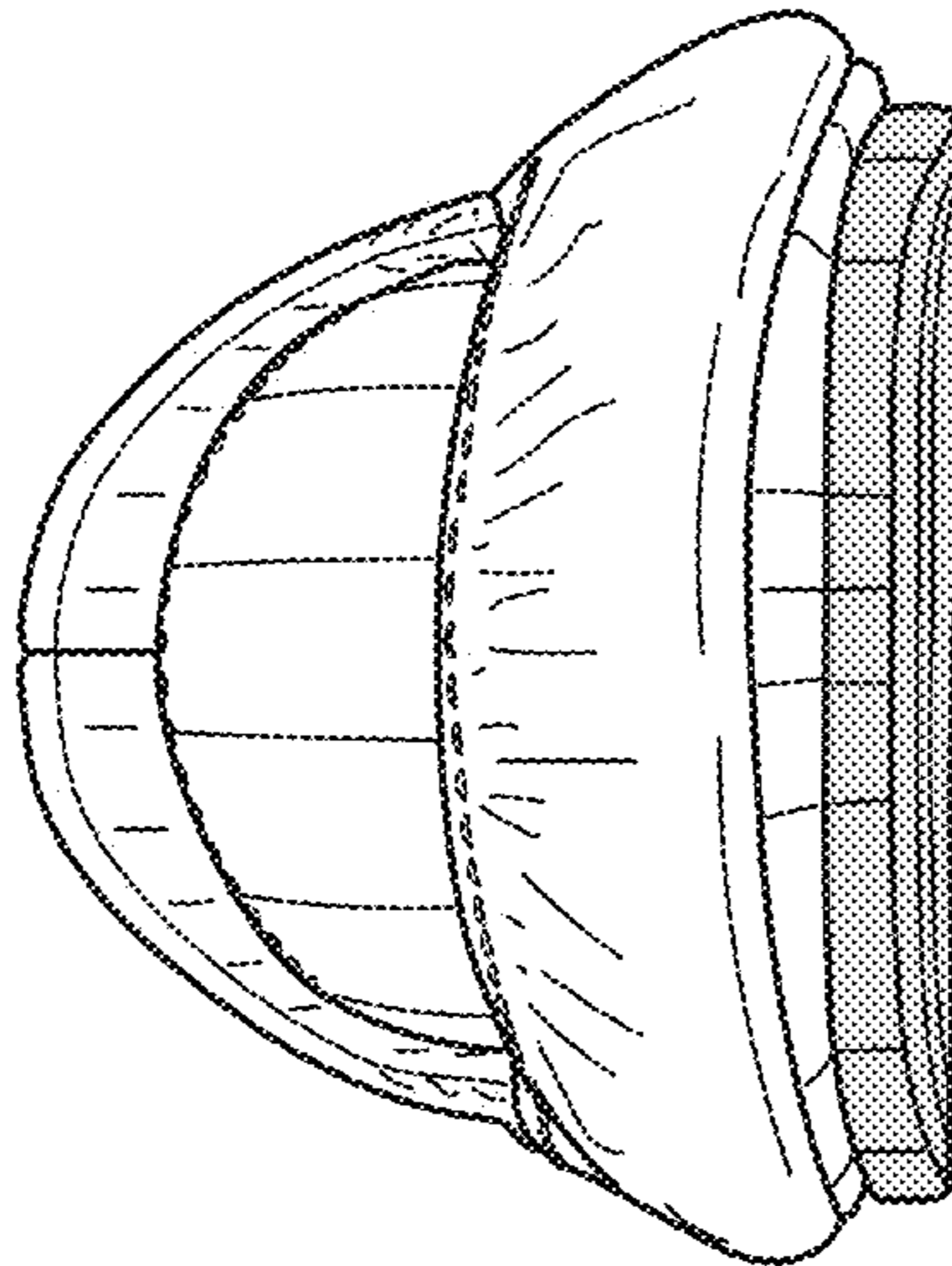


FIG. 48

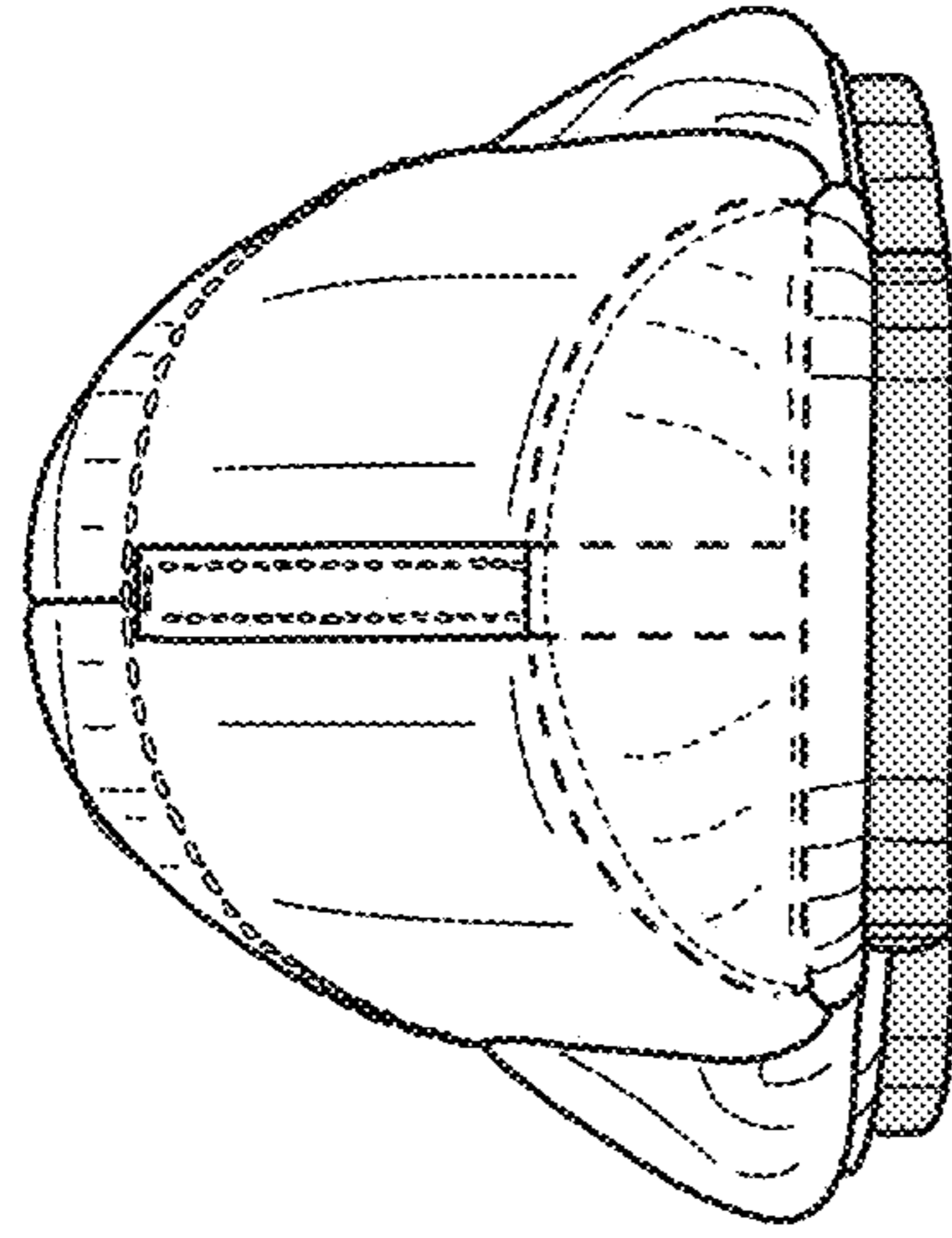


FIG. 49

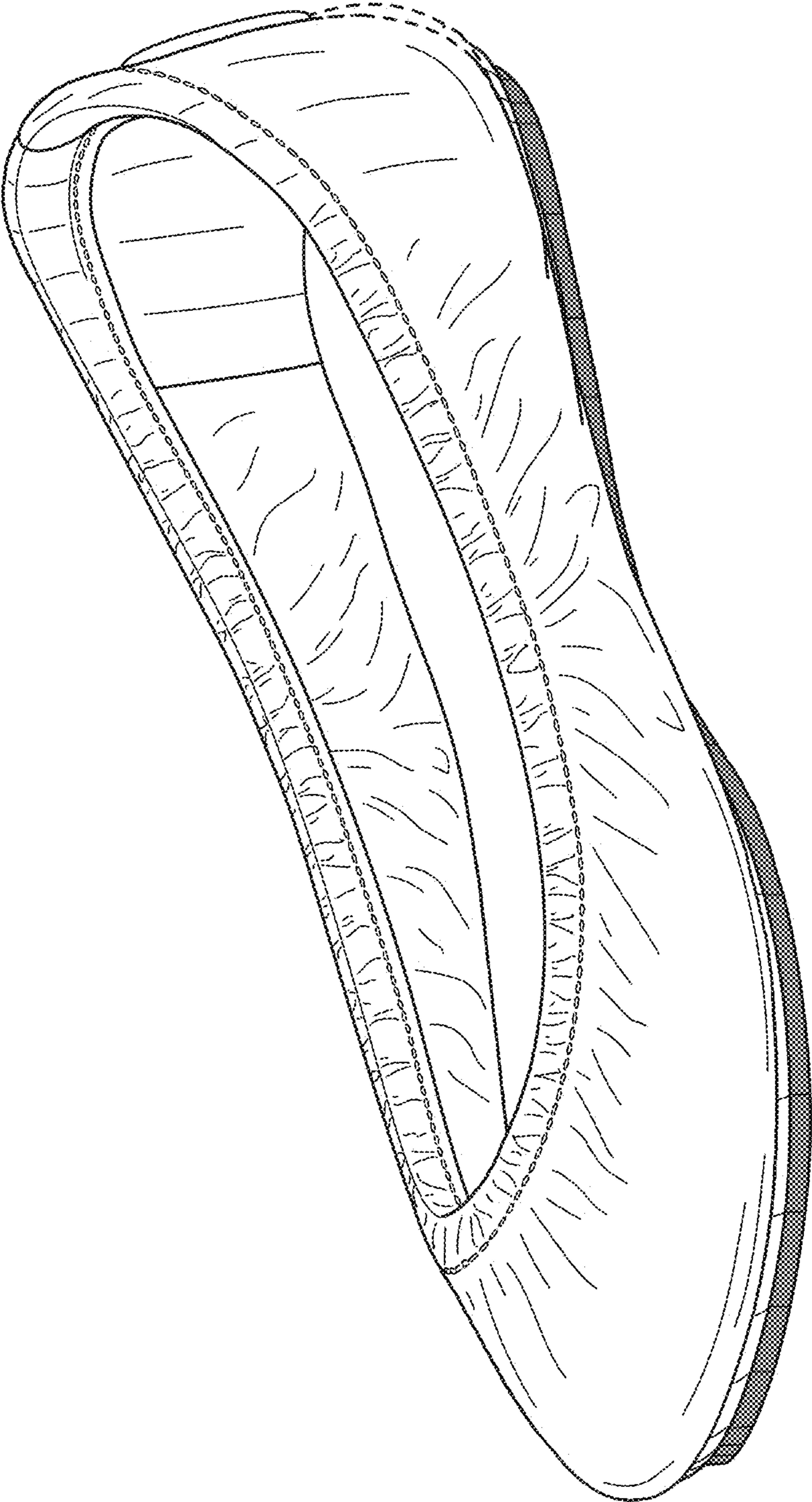


FIG. 50

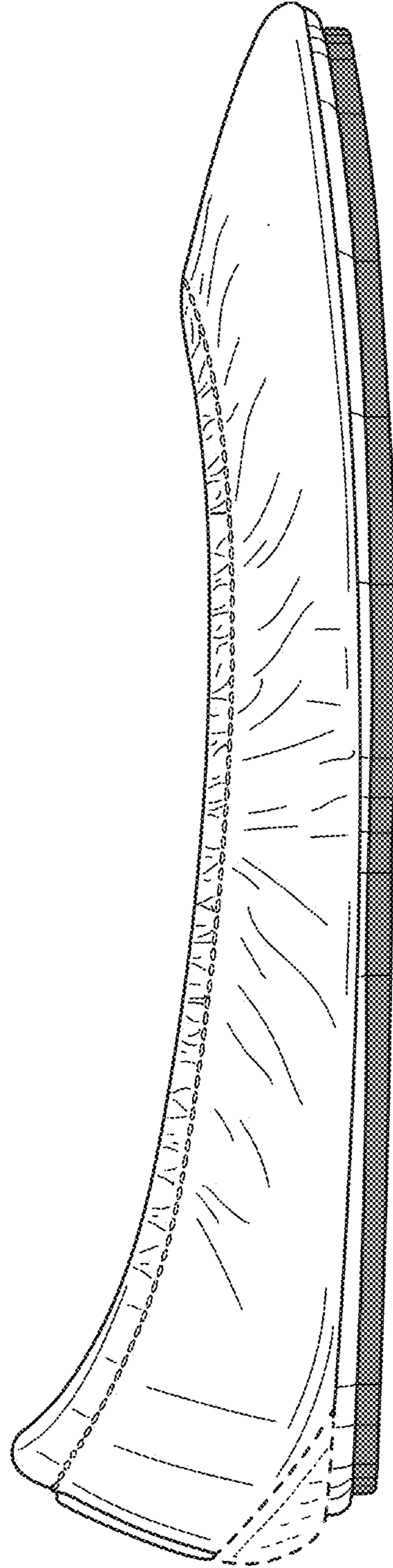


FIG. 51

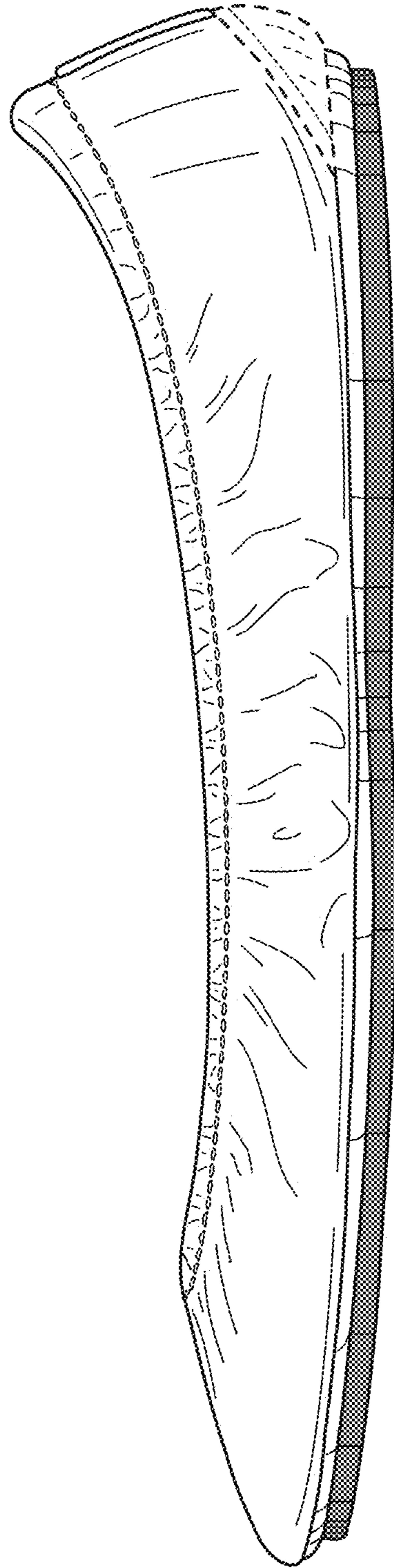


FIG. 52

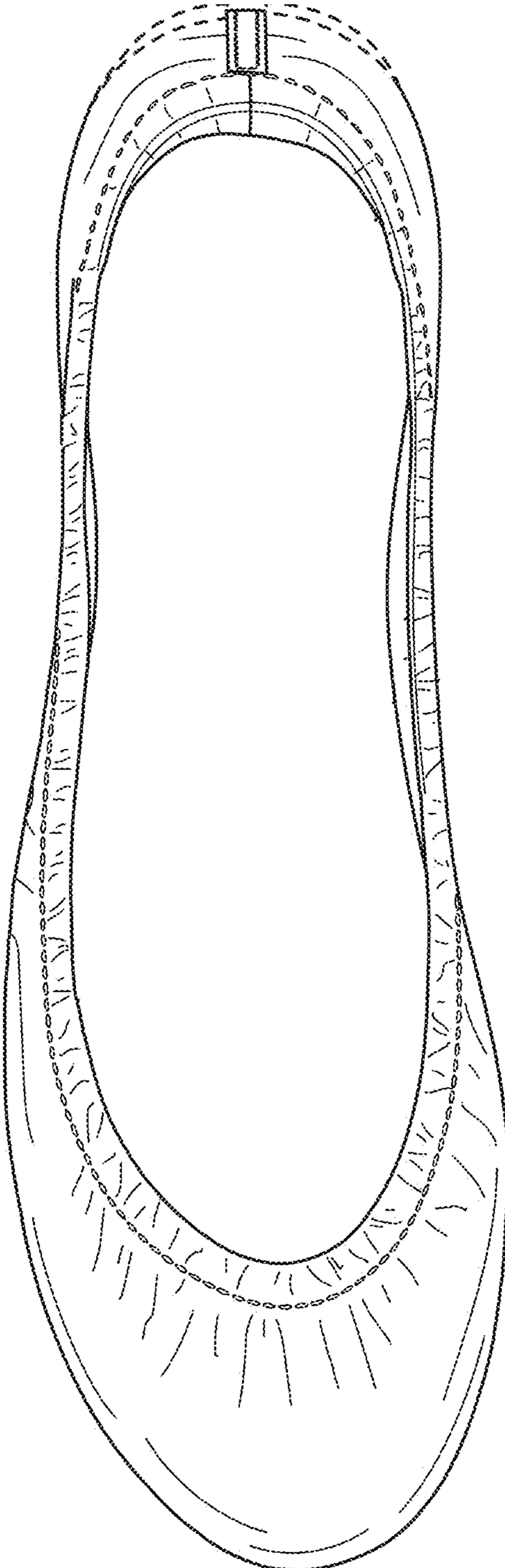


FIG. 53

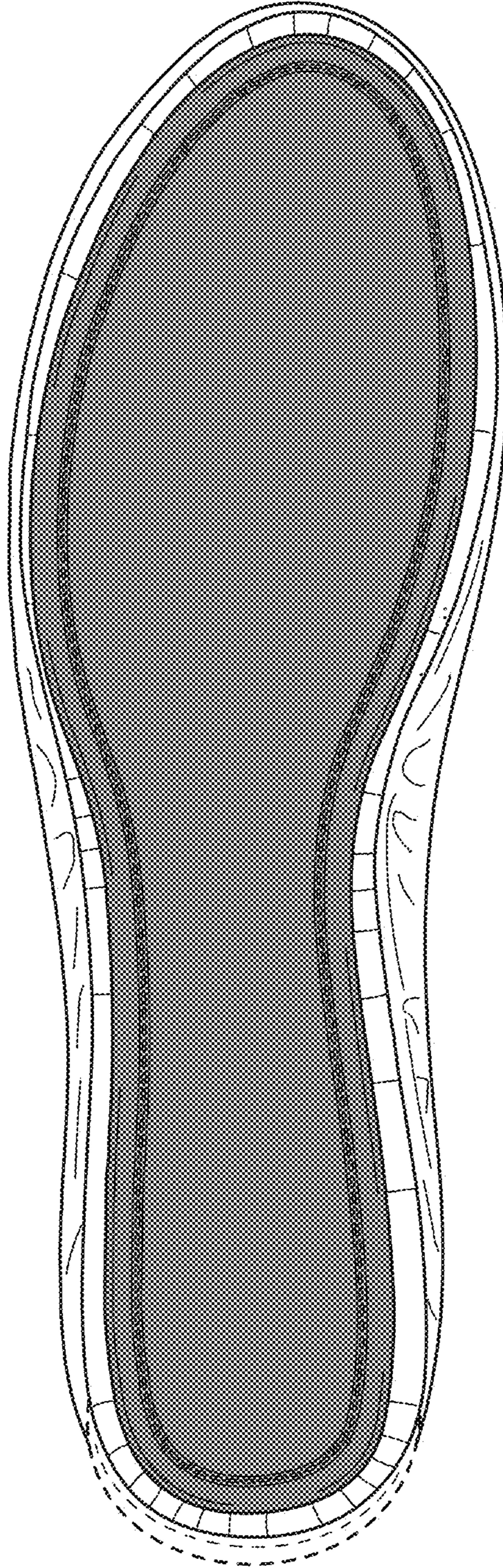


FIG. 54

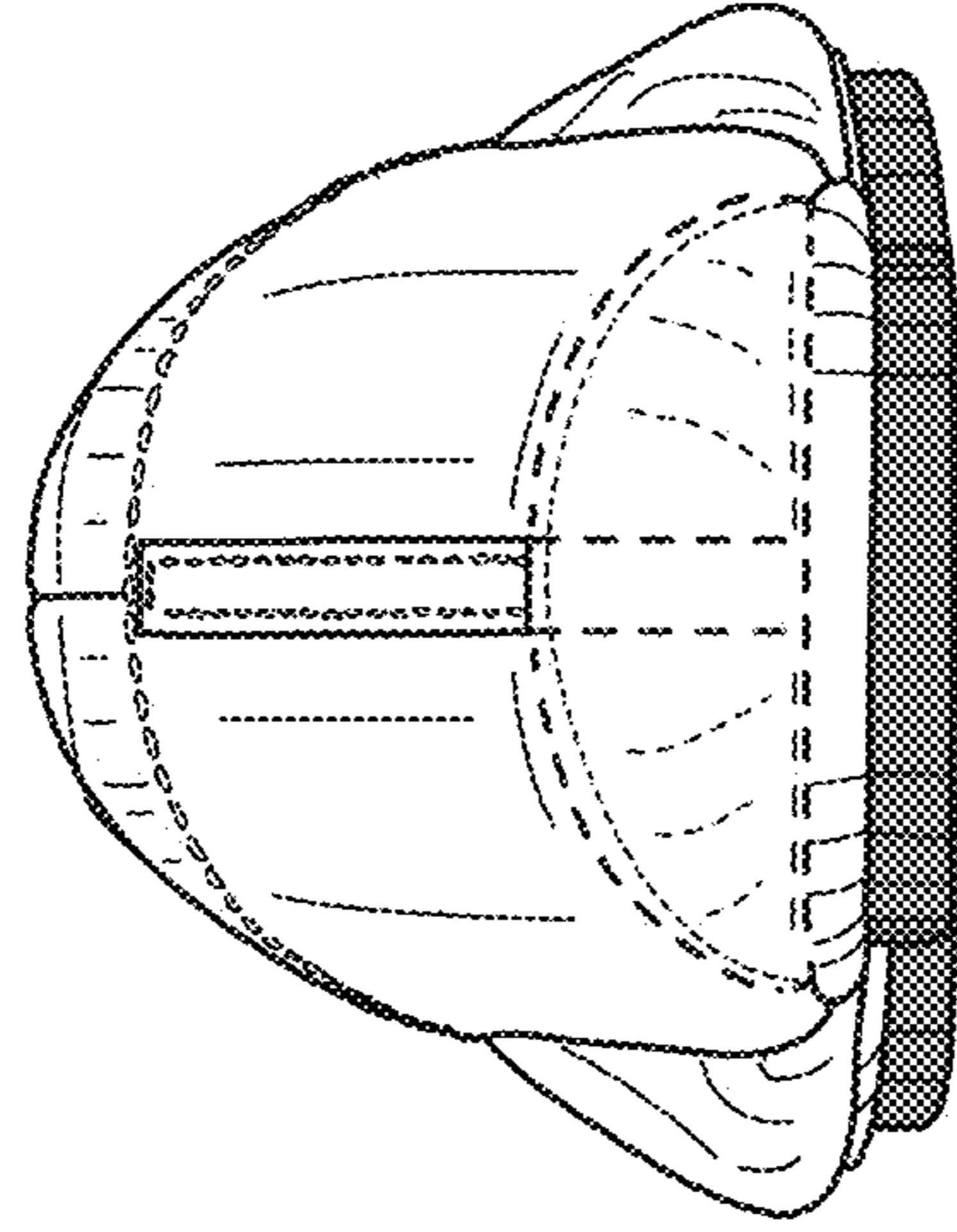


FIG. 55

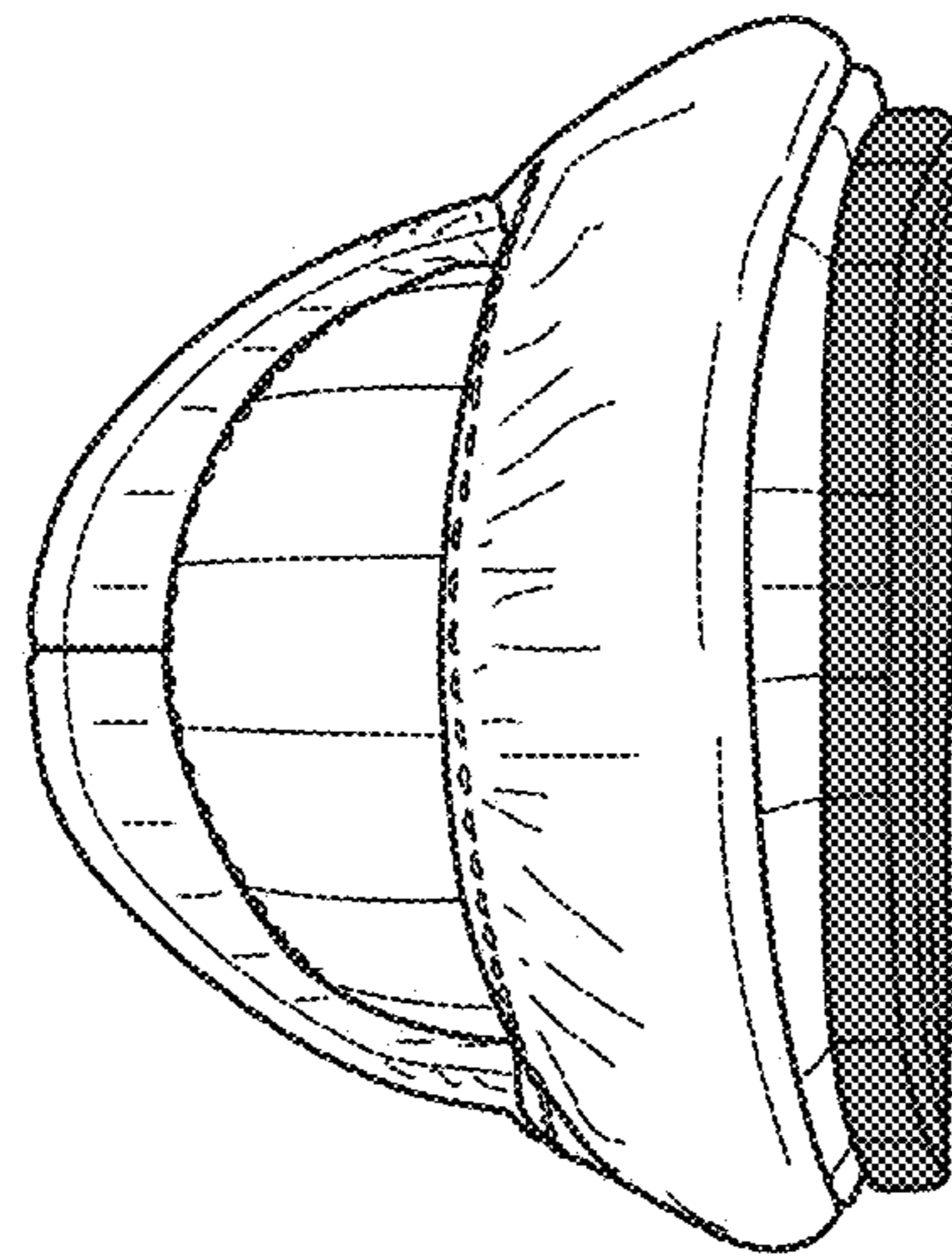


FIG. 56

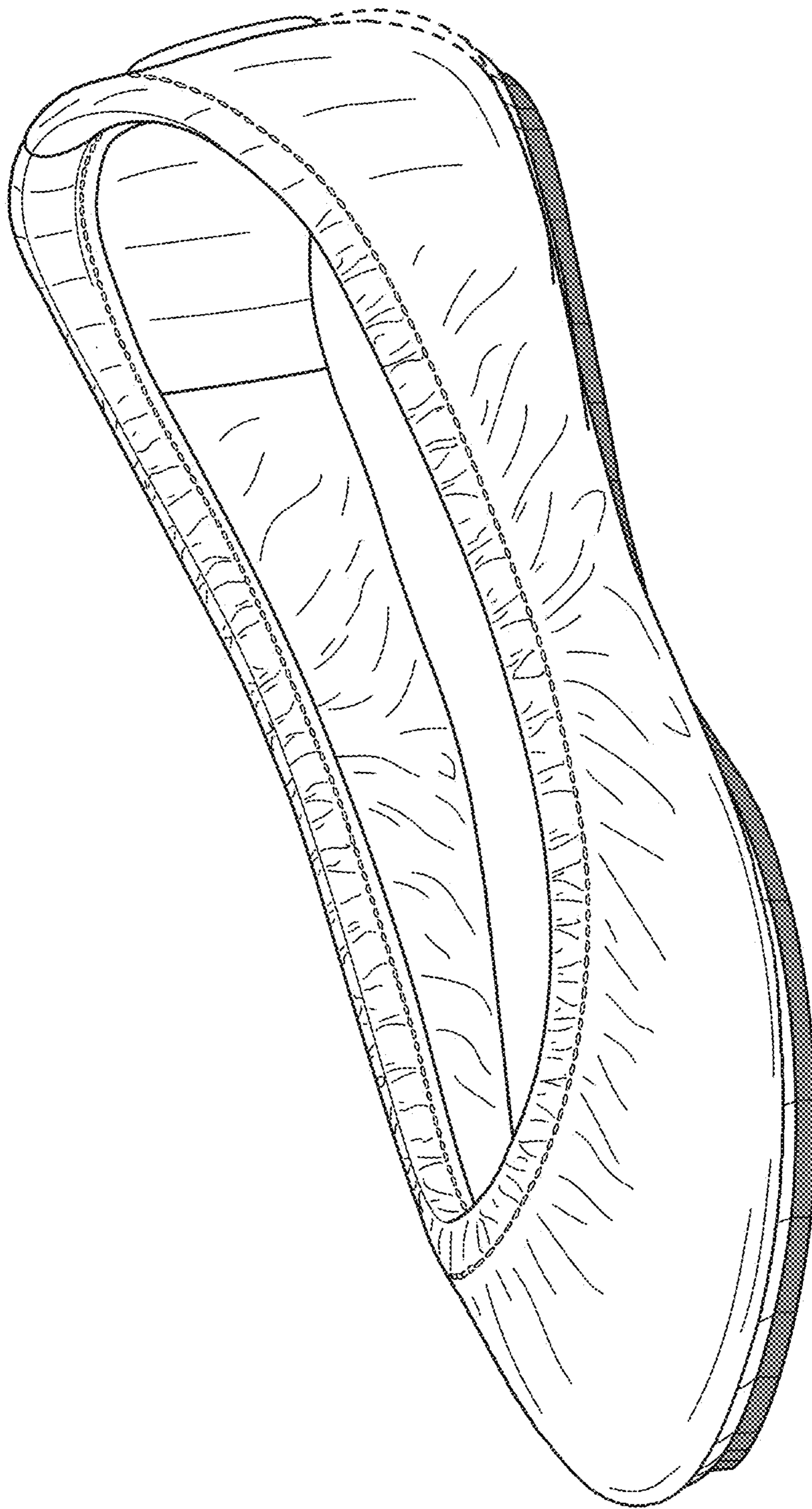


FIG. 57

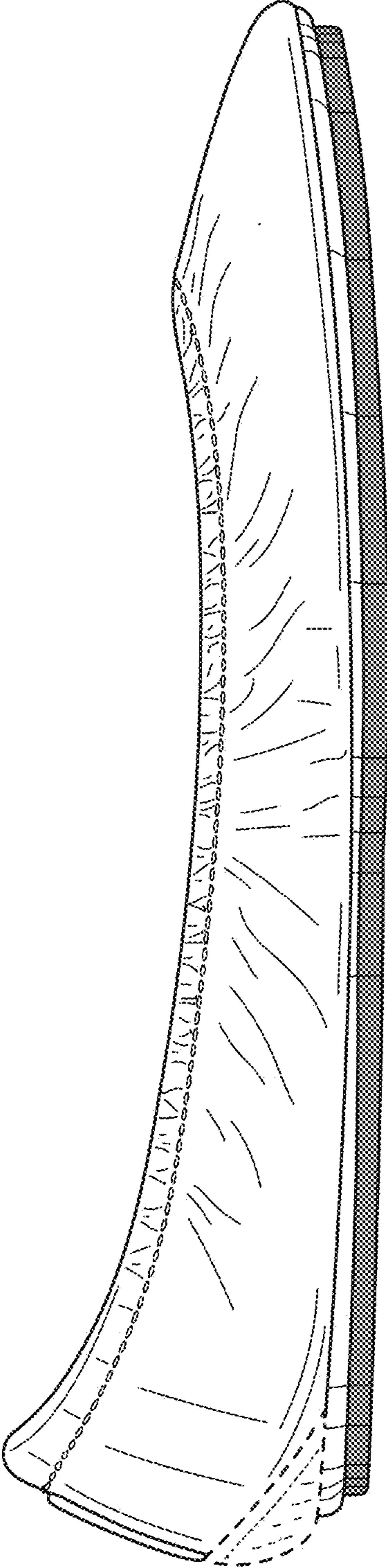


FIG. 58

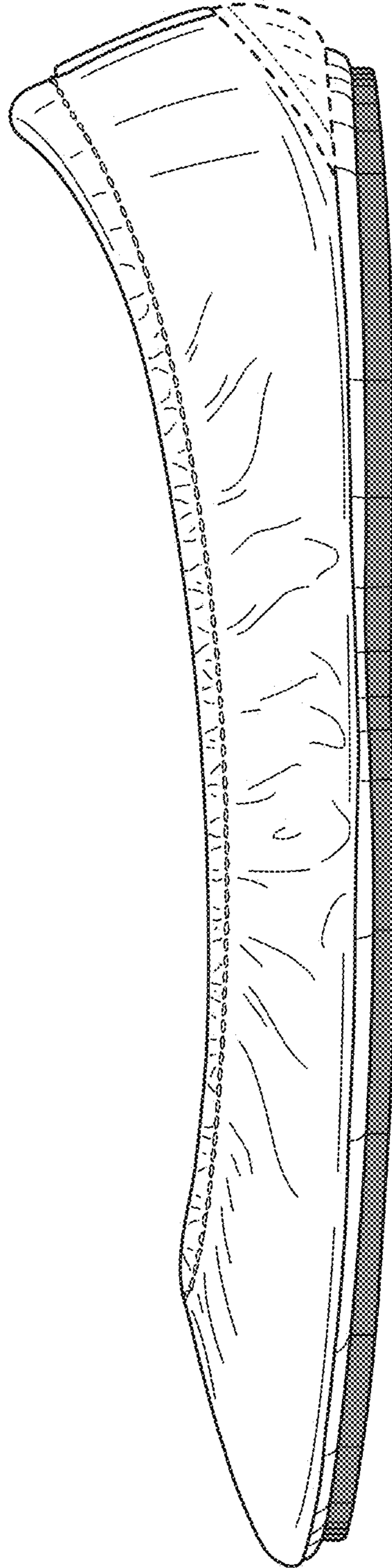


FIG. 59

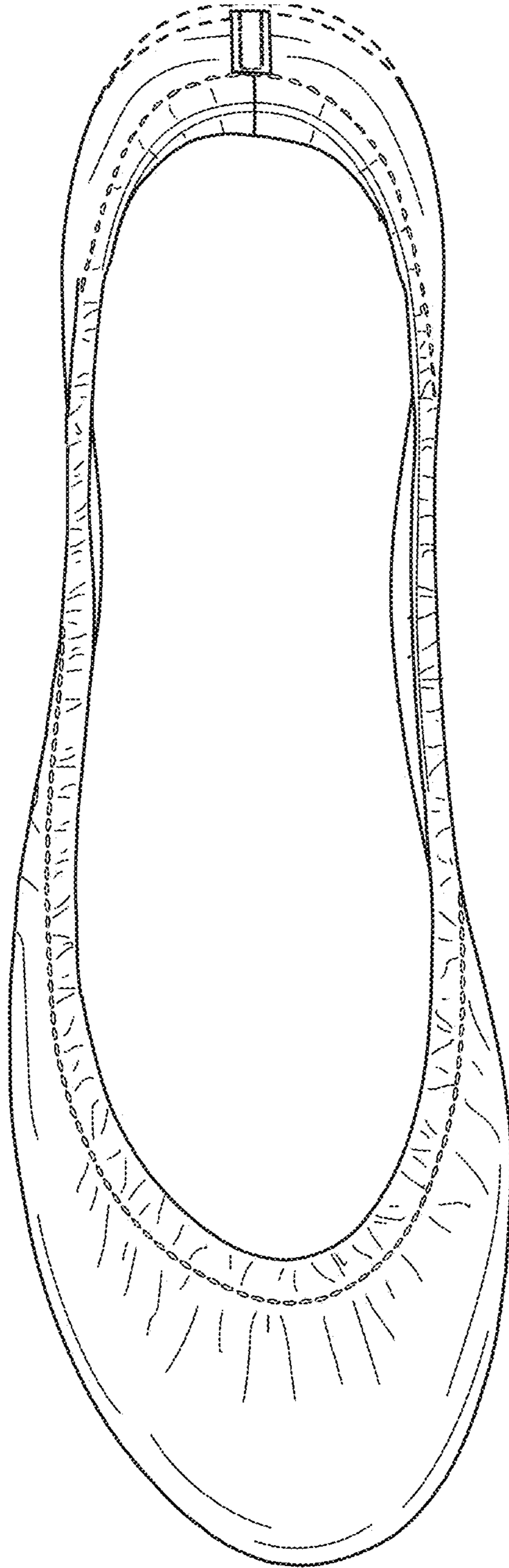


FIG. 60

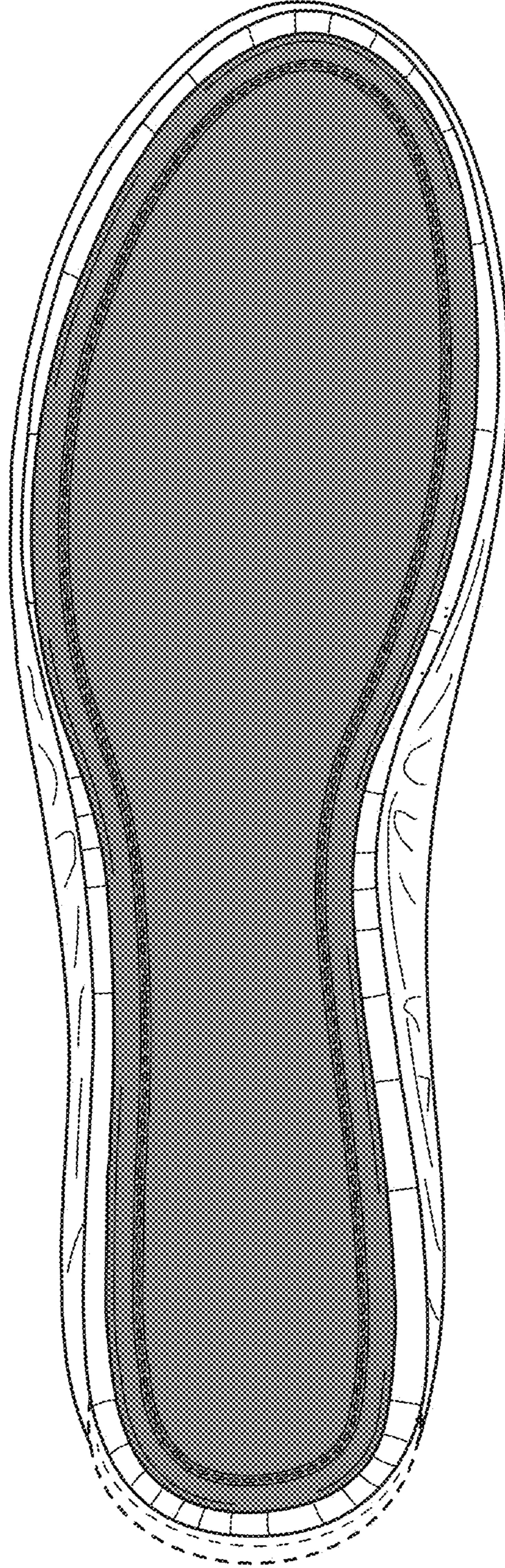


FIG. 61

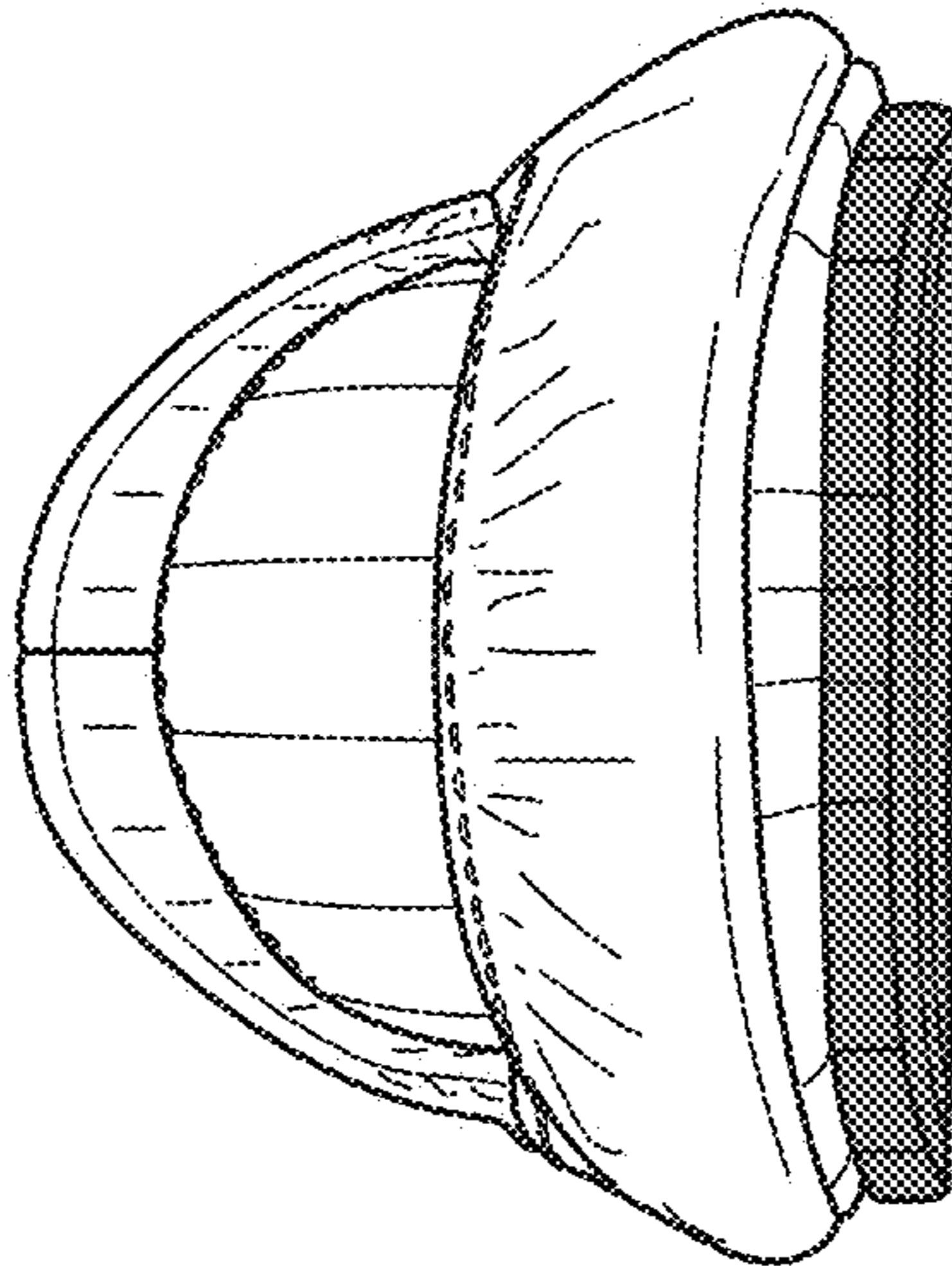


FIG. 62

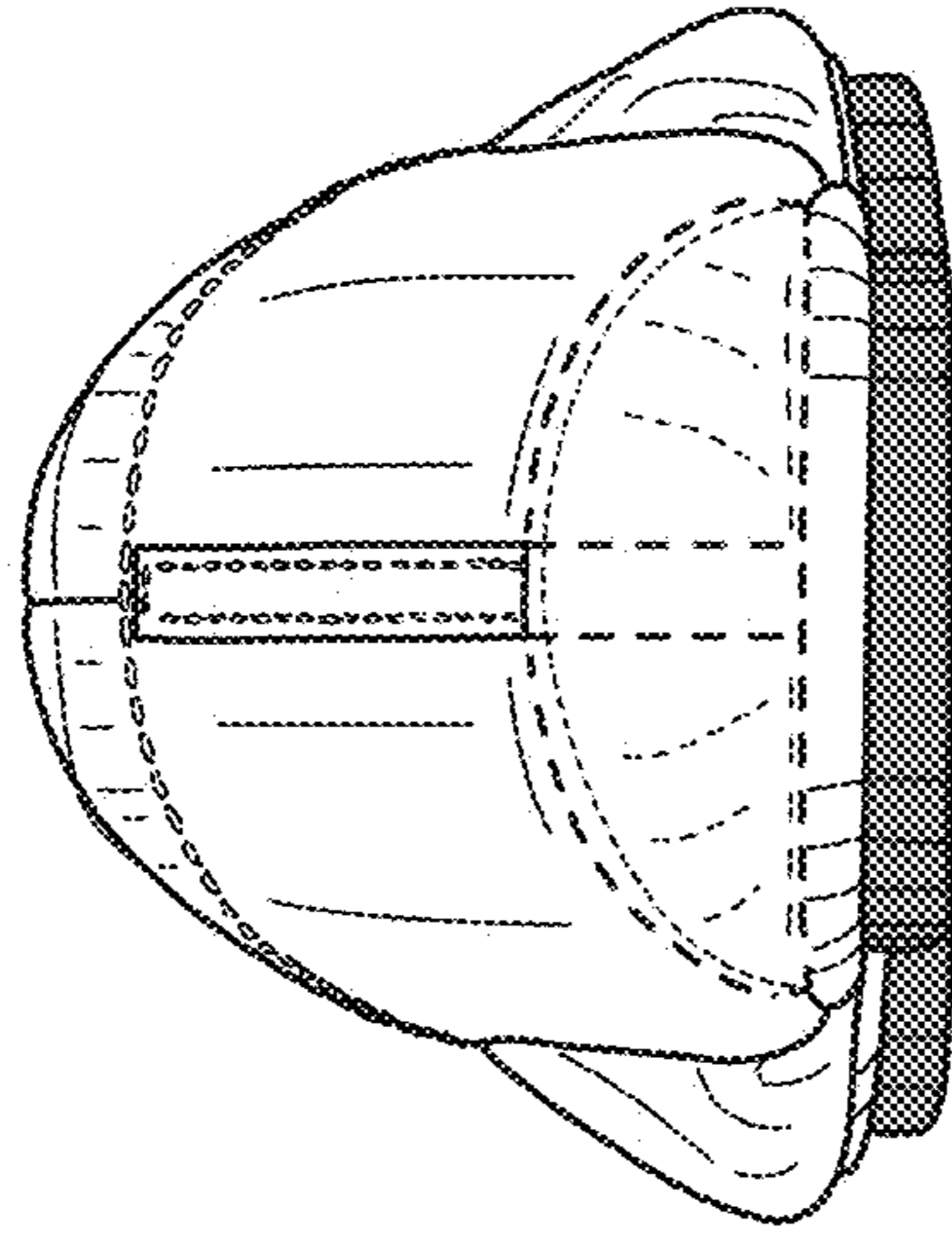


FIG. 63

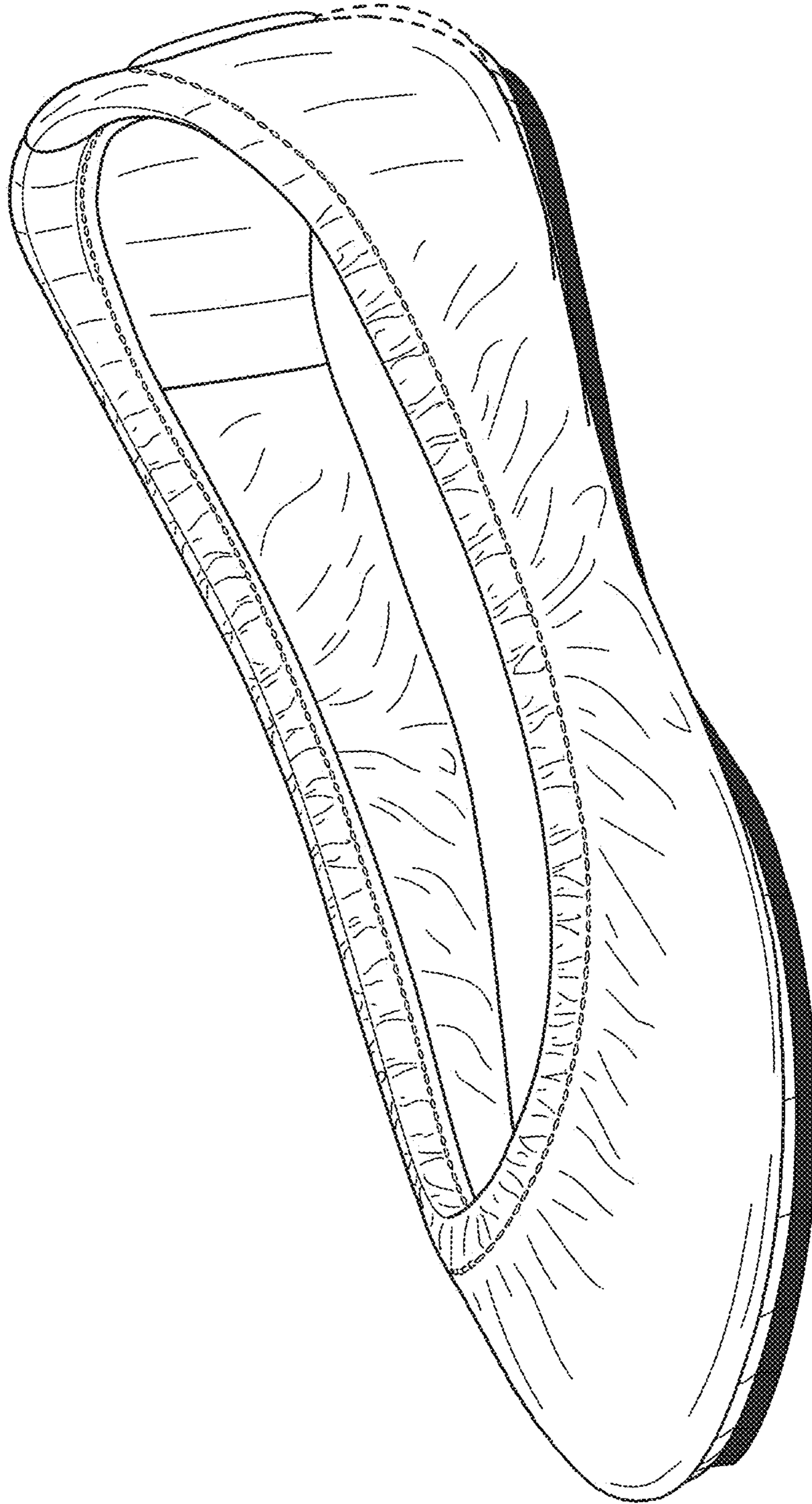


FIG. 64

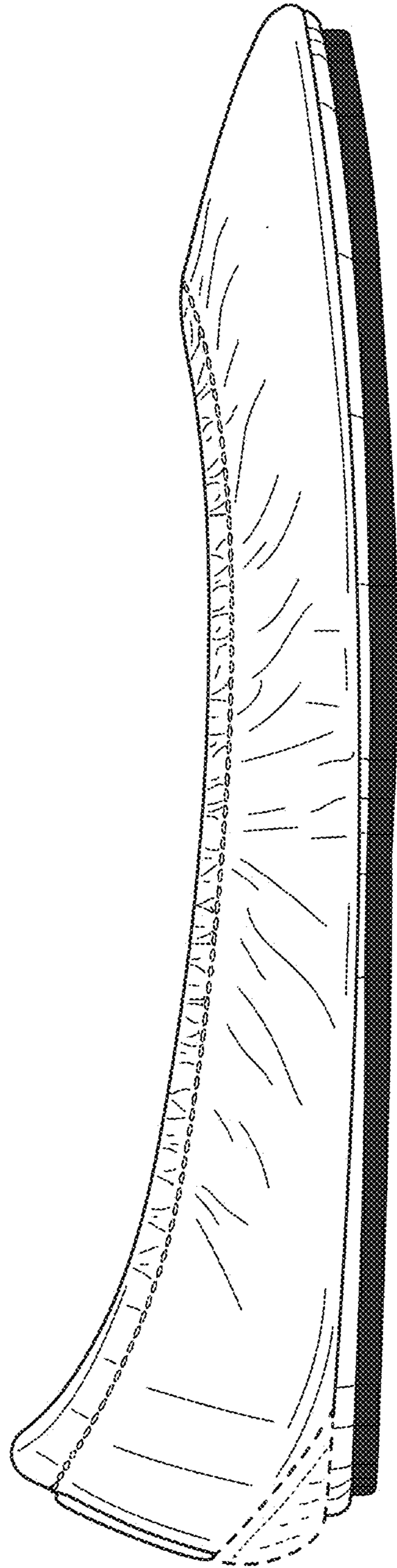


FIG. 65

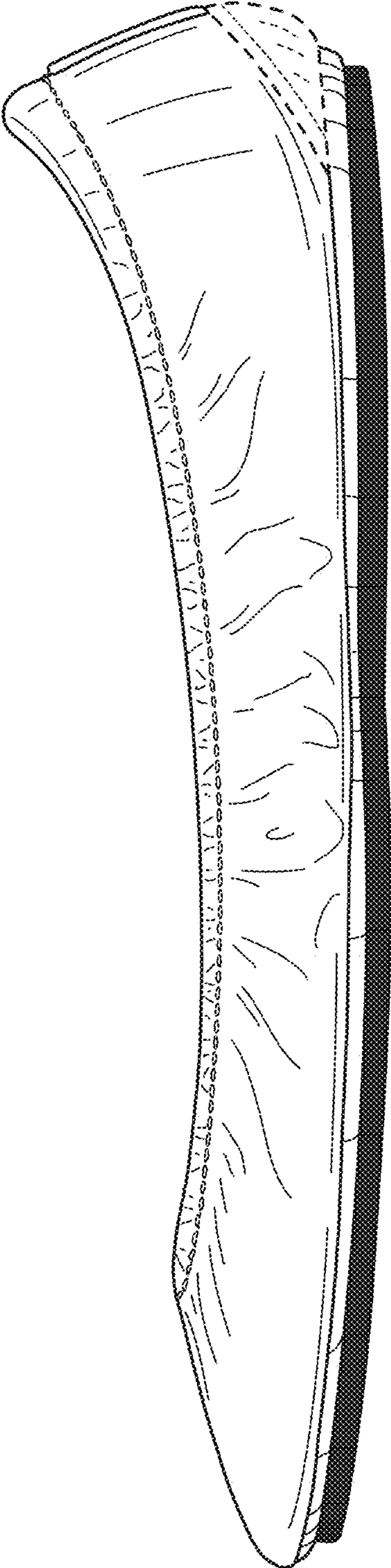


FIG. 66

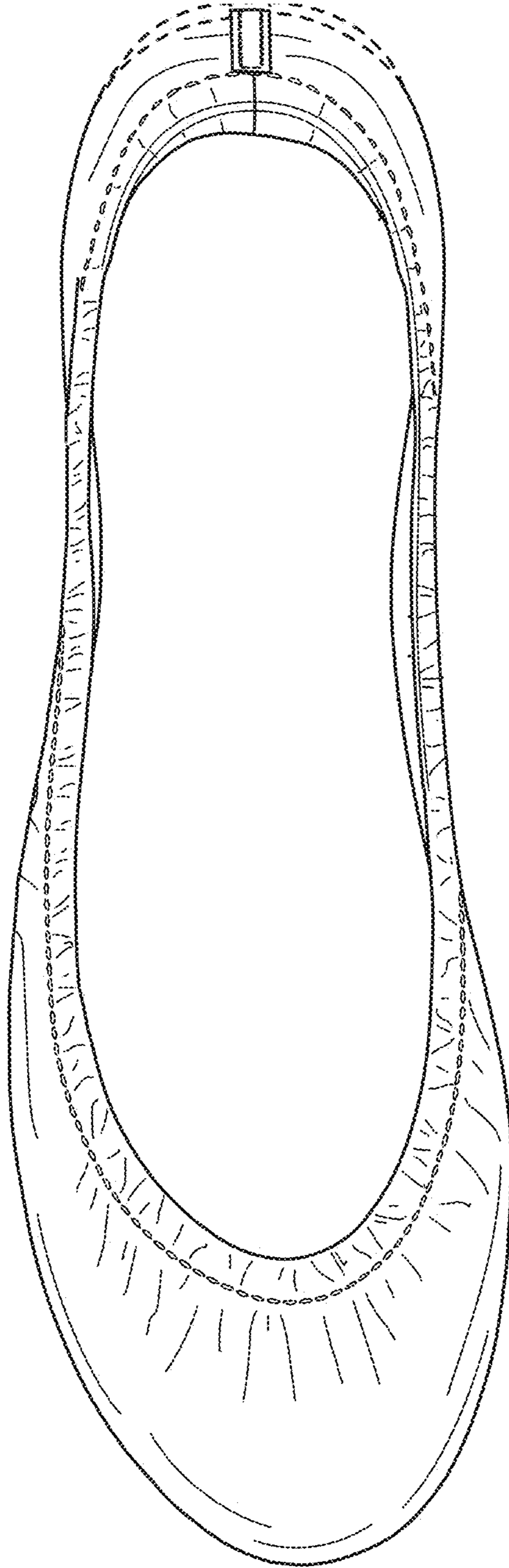


FIG. 67

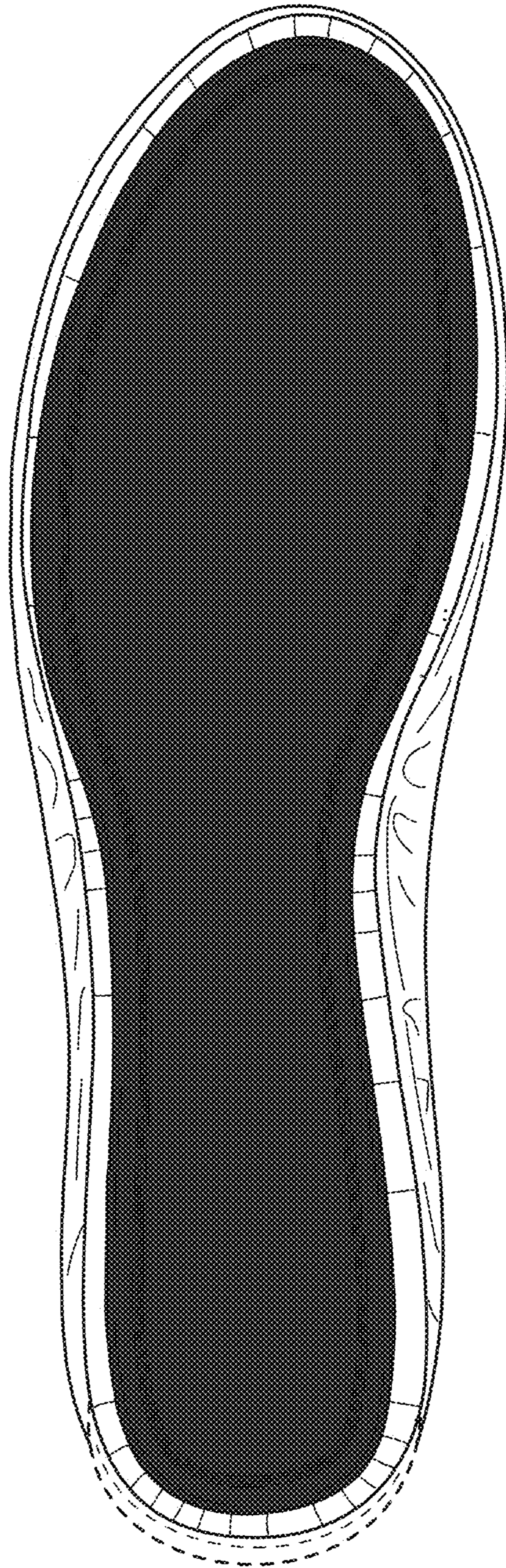


FIG. 68

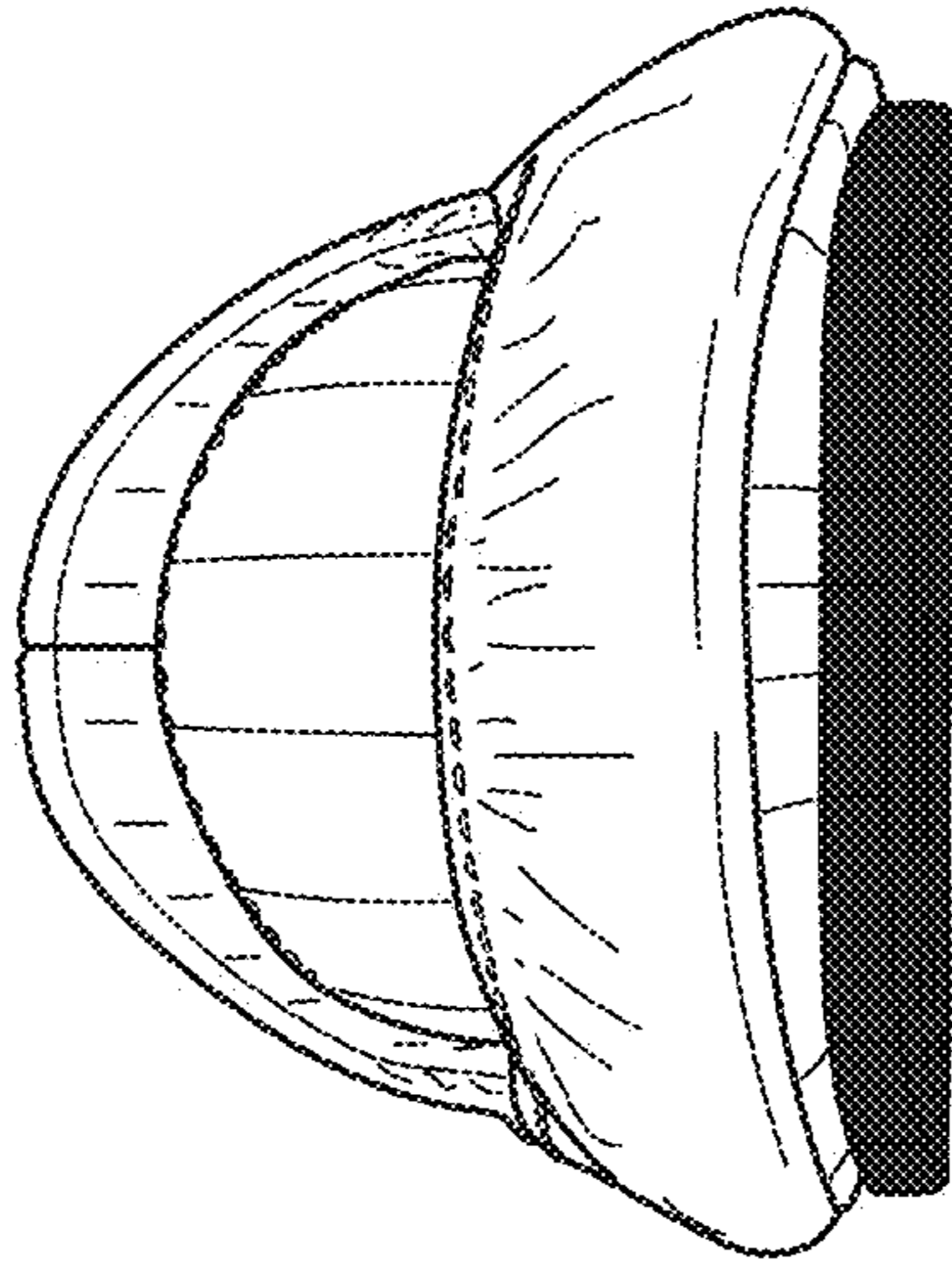


FIG. 69

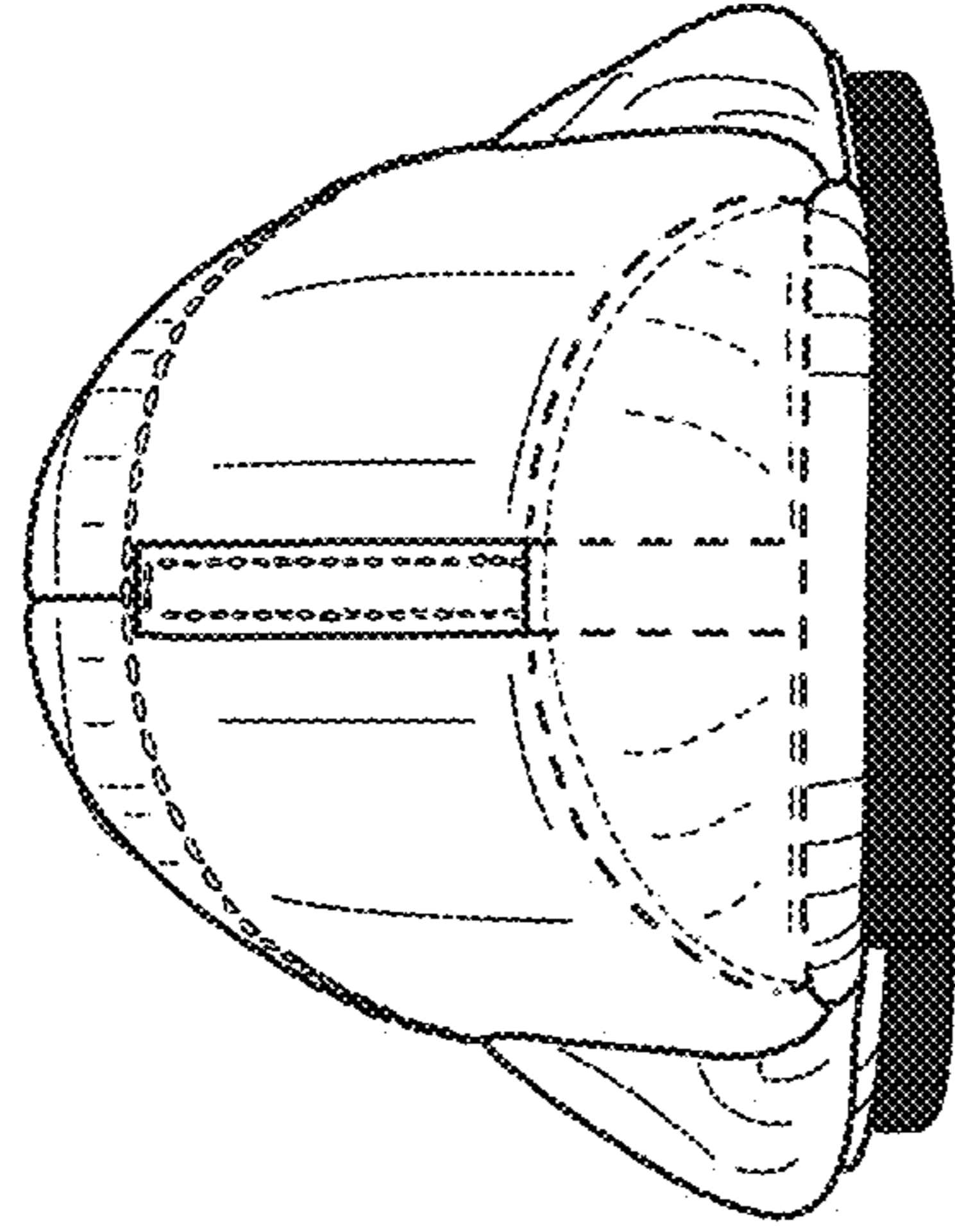


FIG. 70

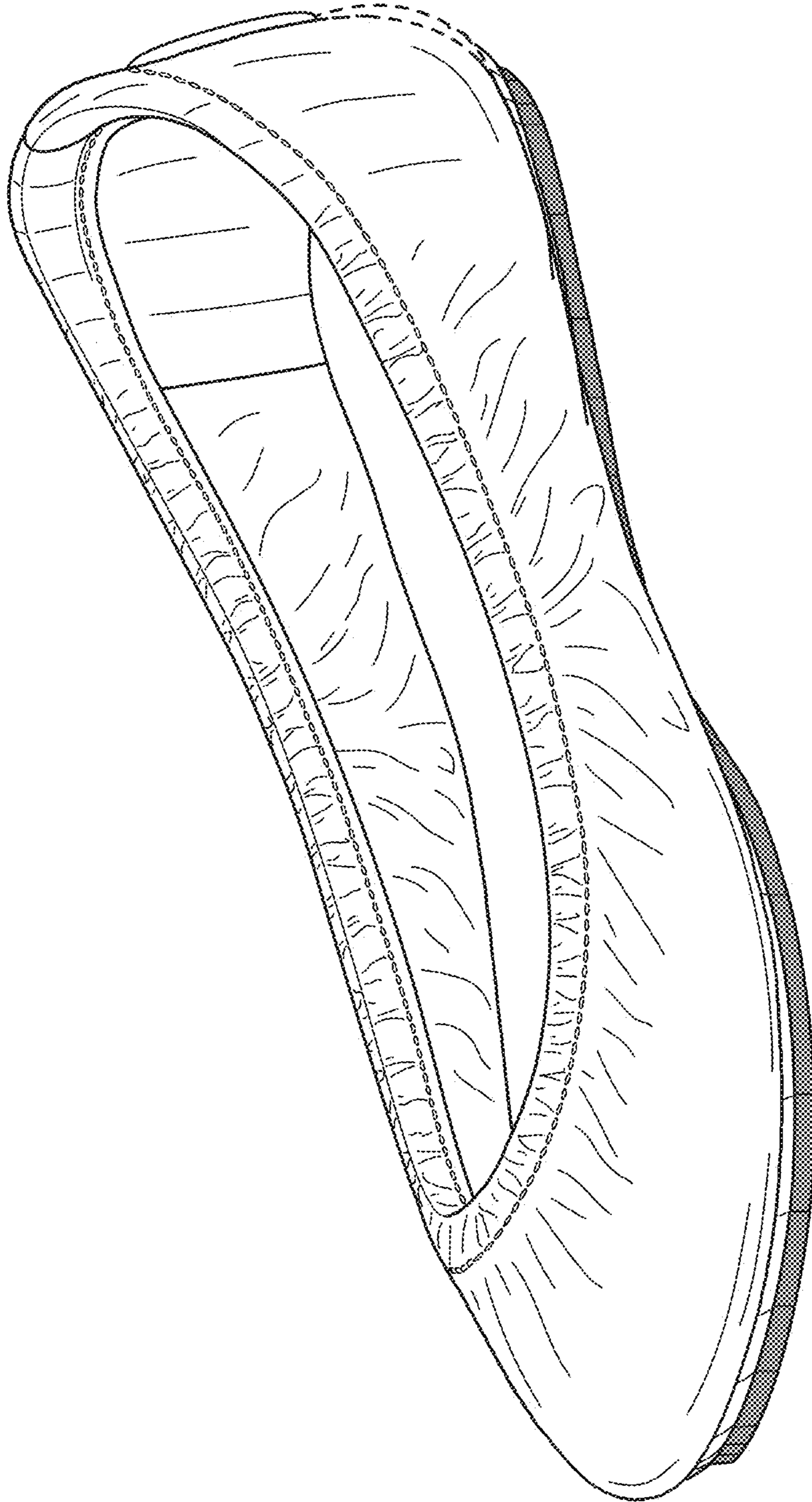


FIG. 71

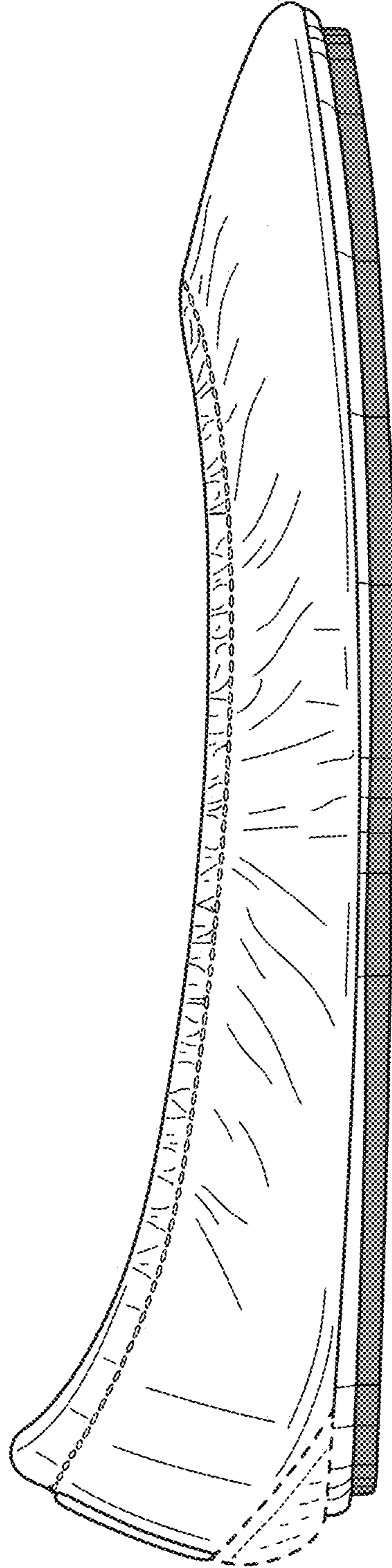


FIG. 72

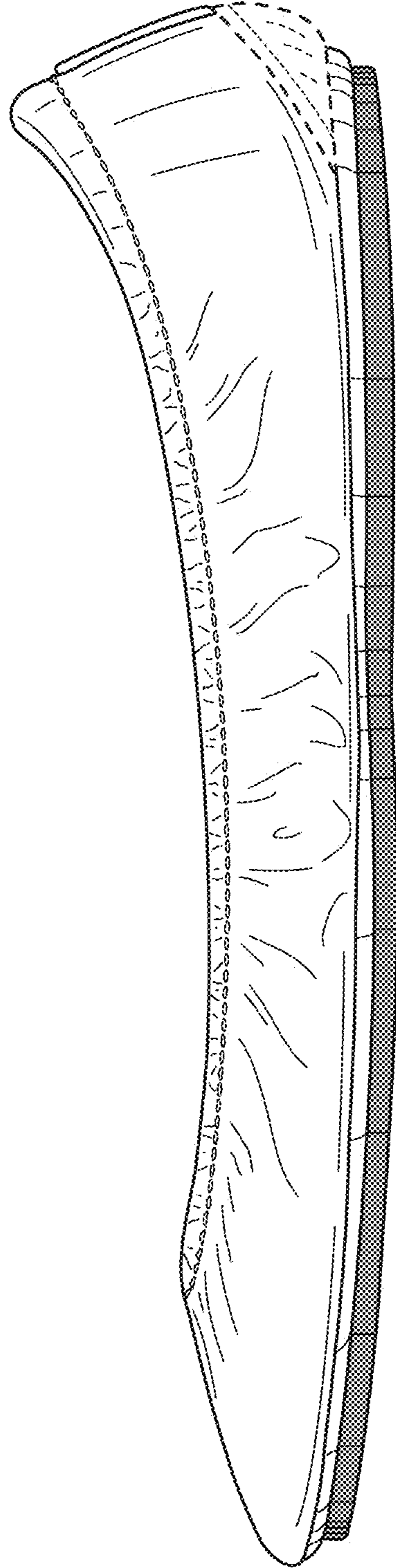


FIG. 73

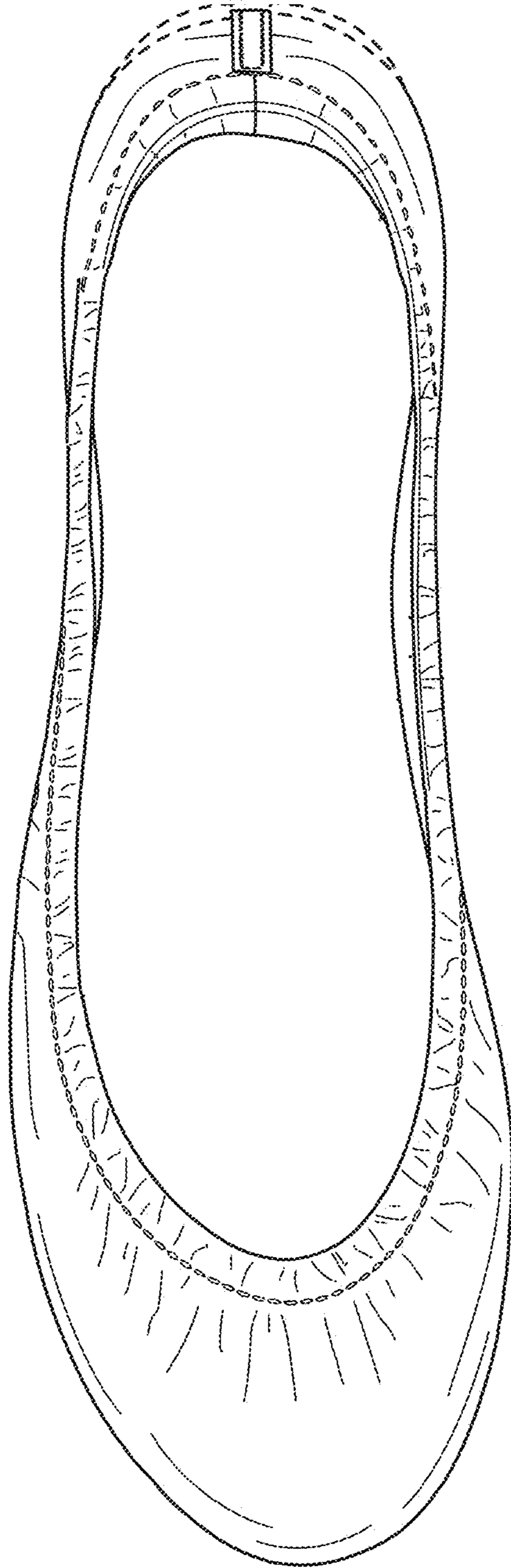


FIG. 74

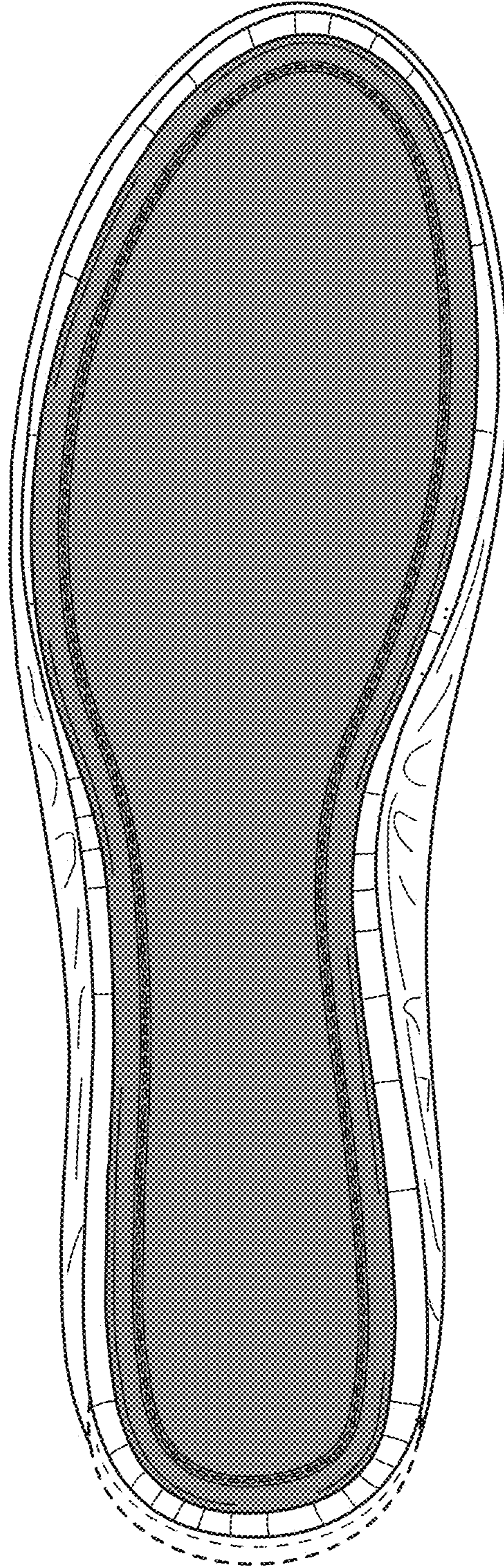


FIG. 75

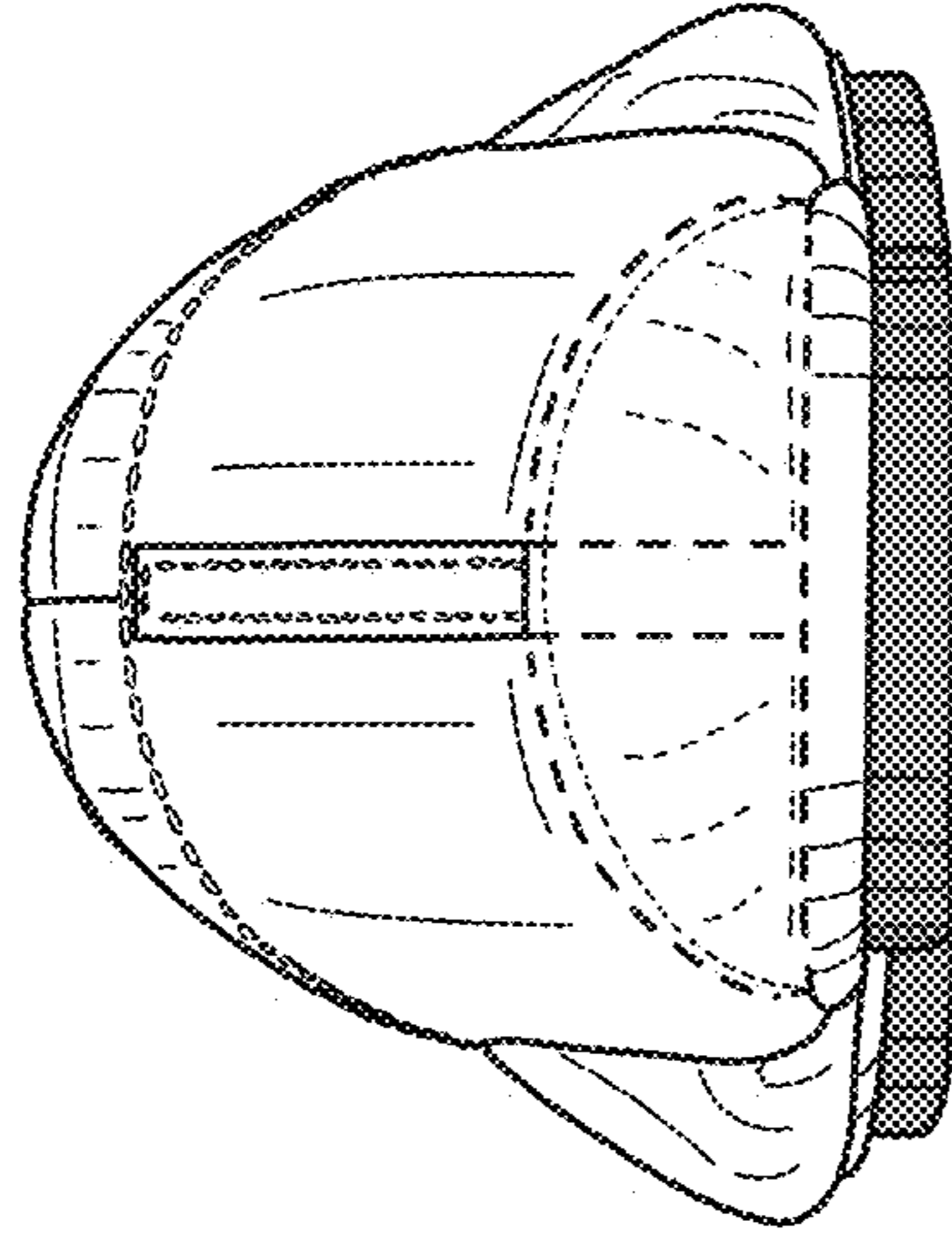


FIG. 77

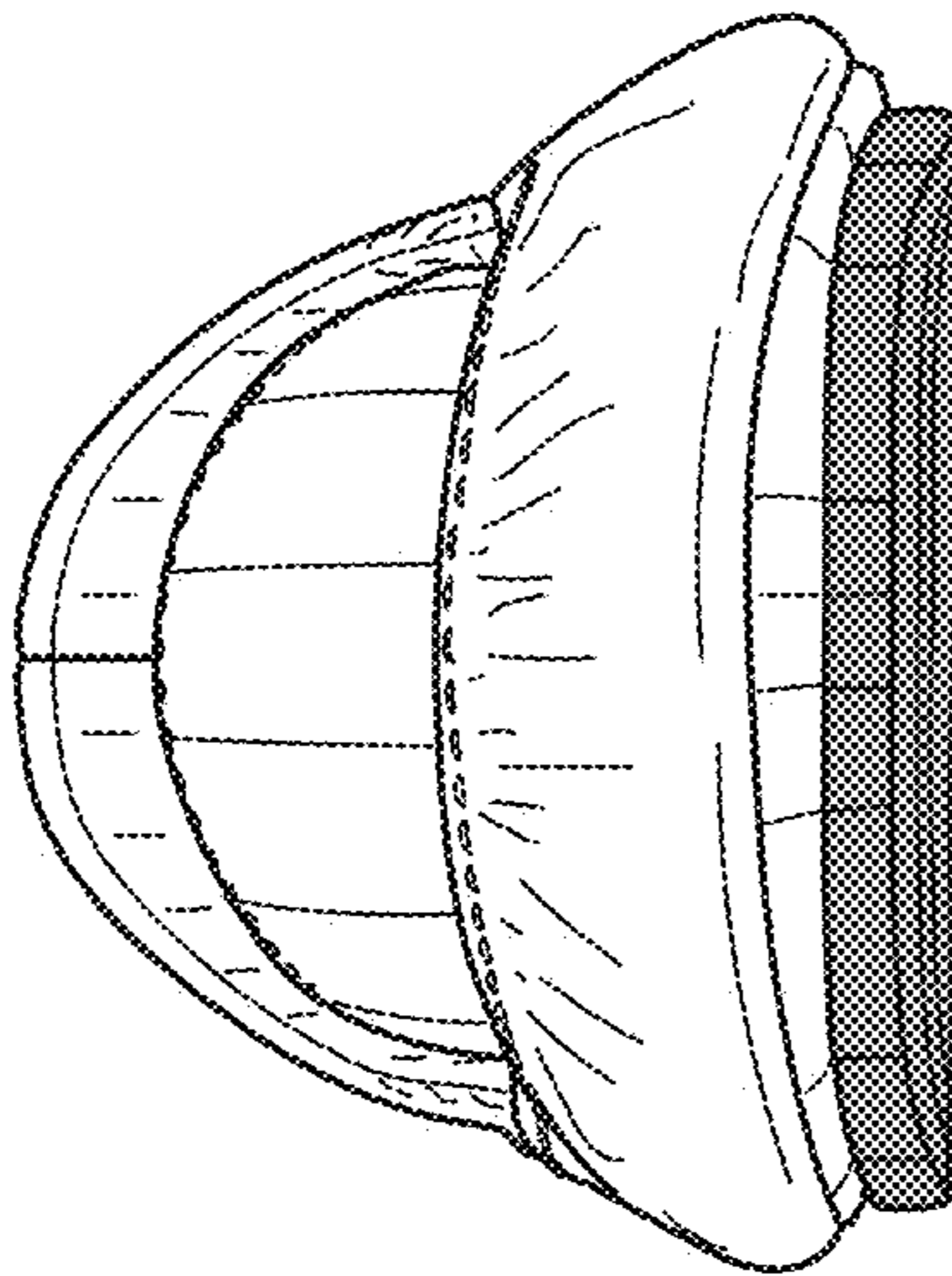


FIG. 76

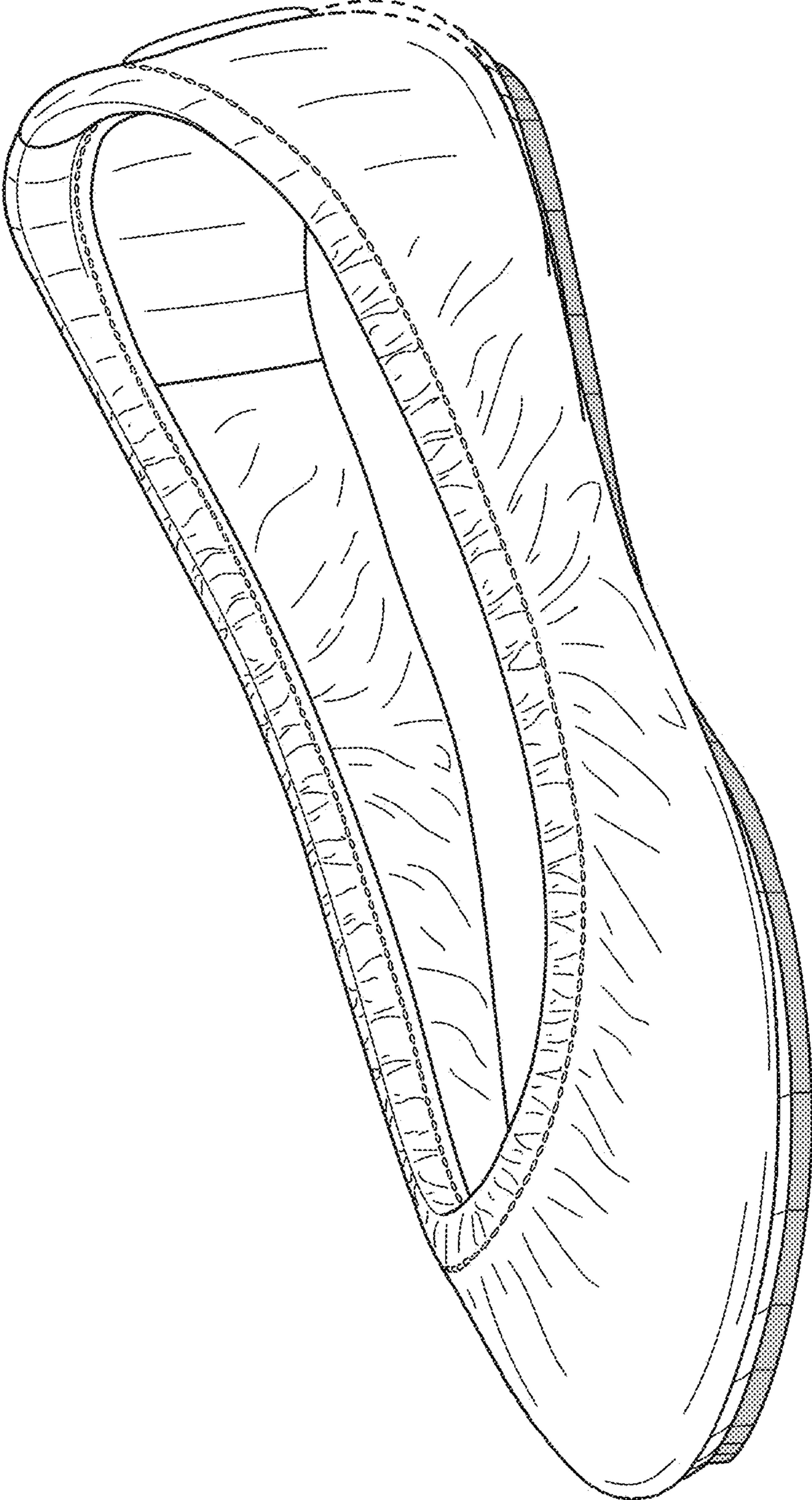


FIG. 78

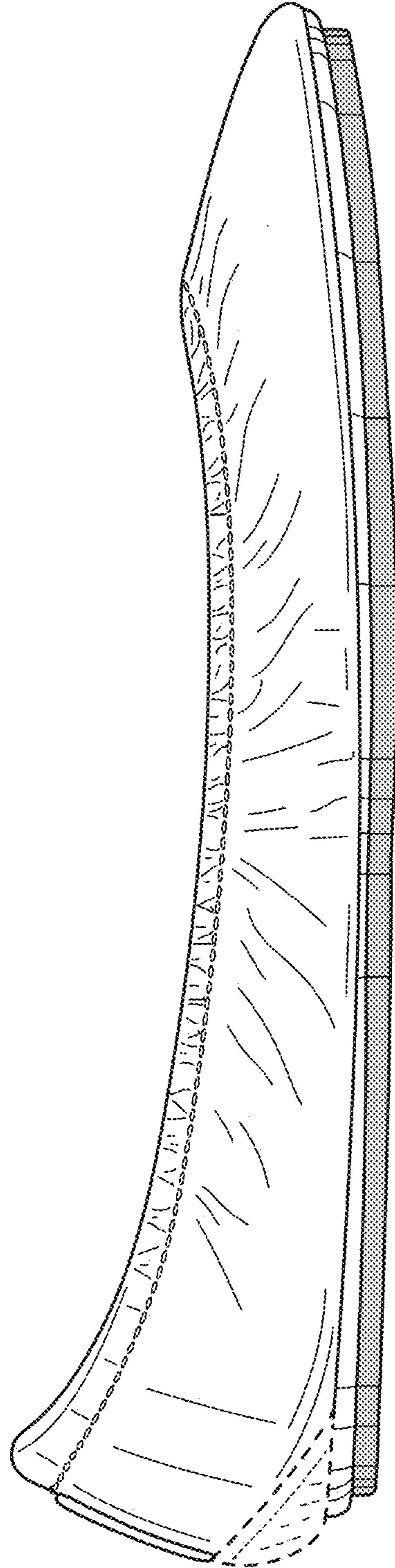


FIG. 79

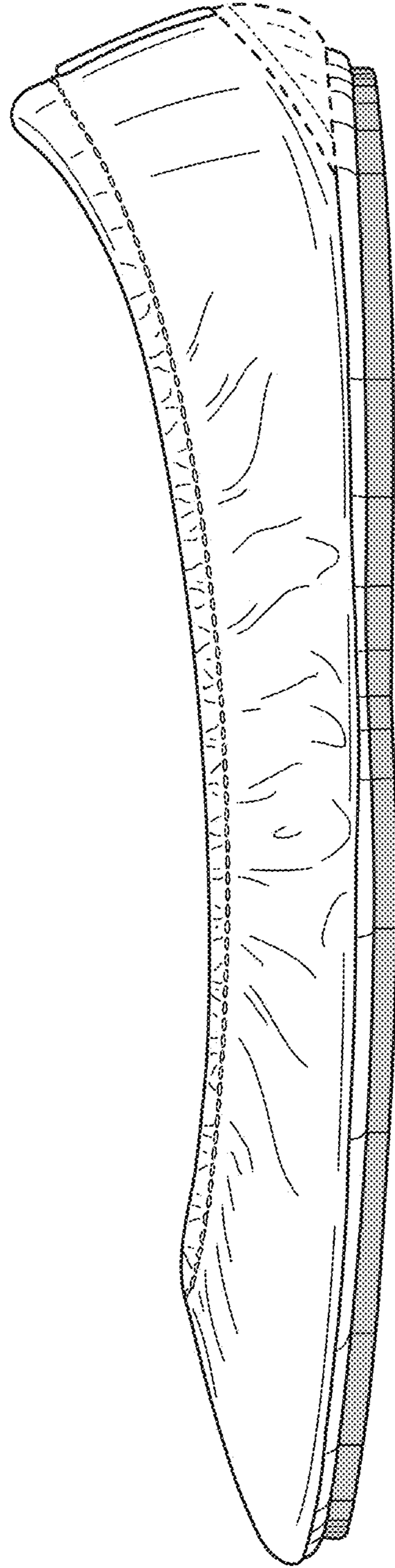


FIG. 80

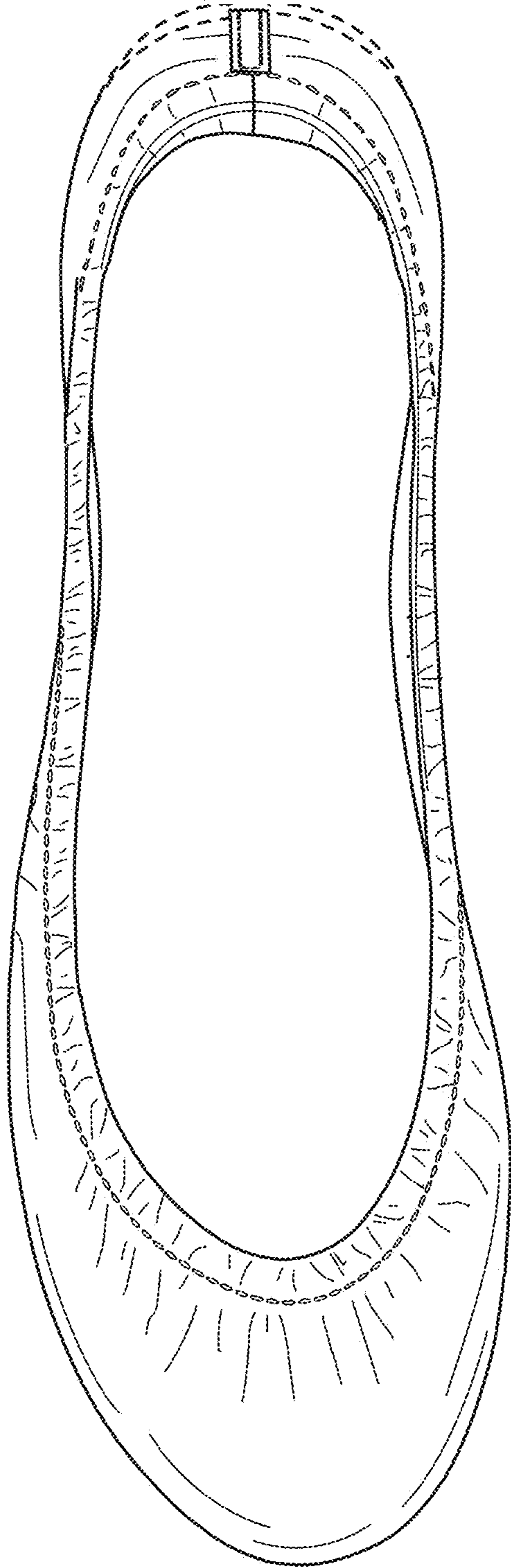


FIG. 81

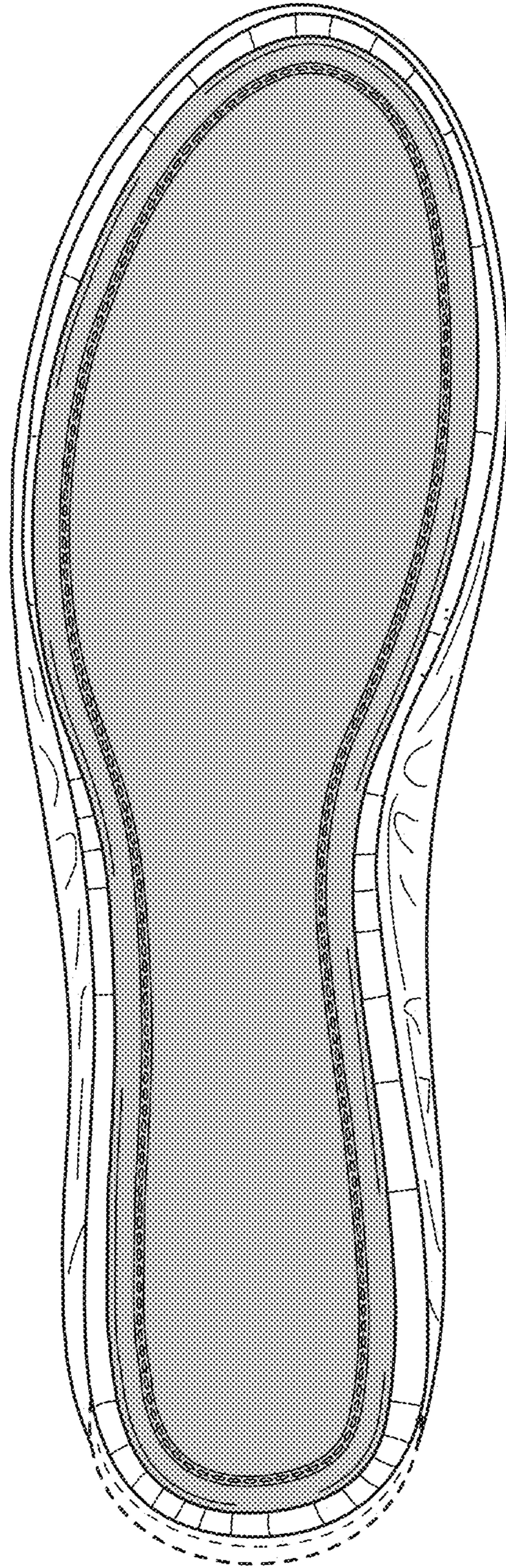


FIG. 82

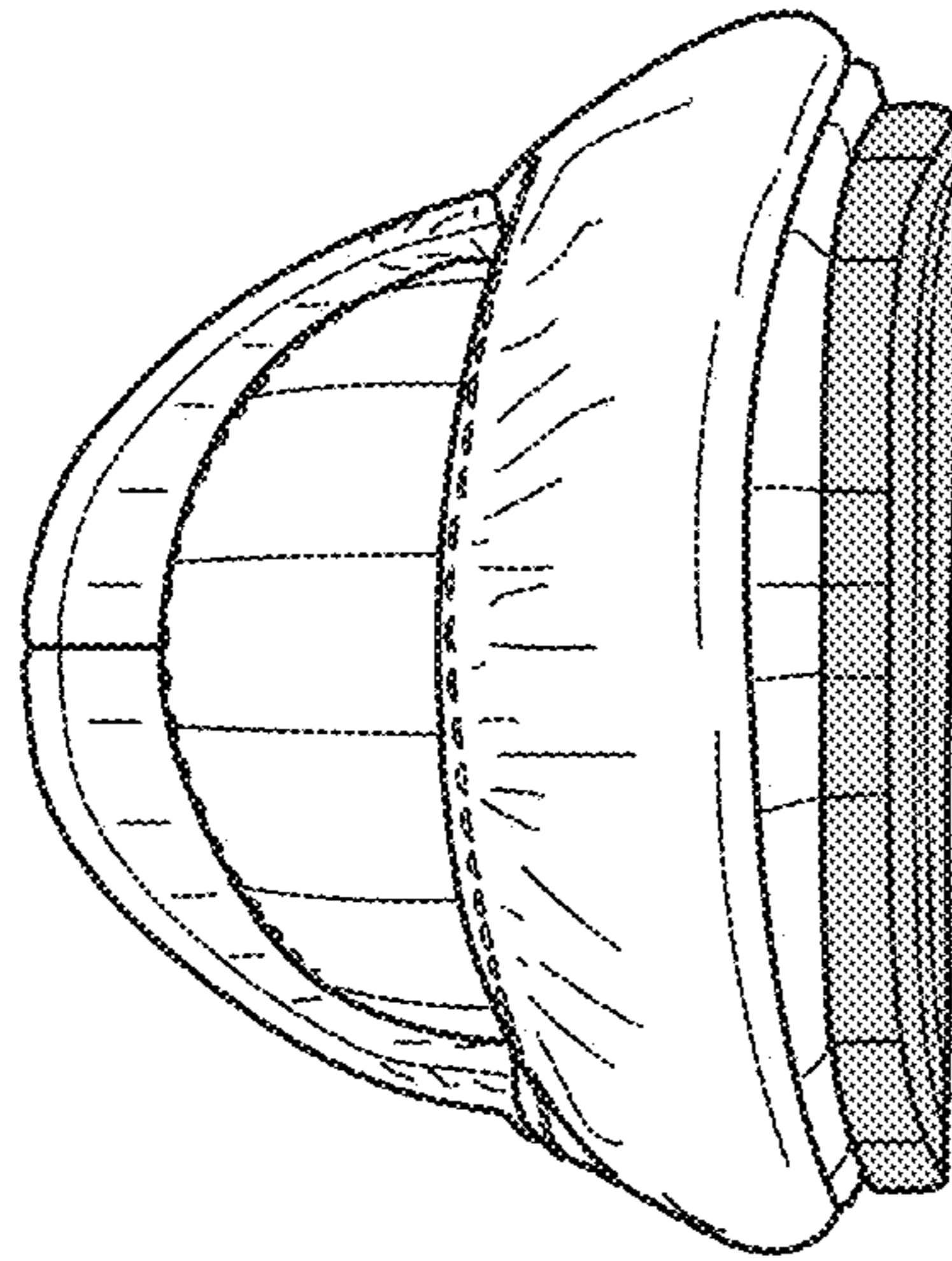


FIG. 83

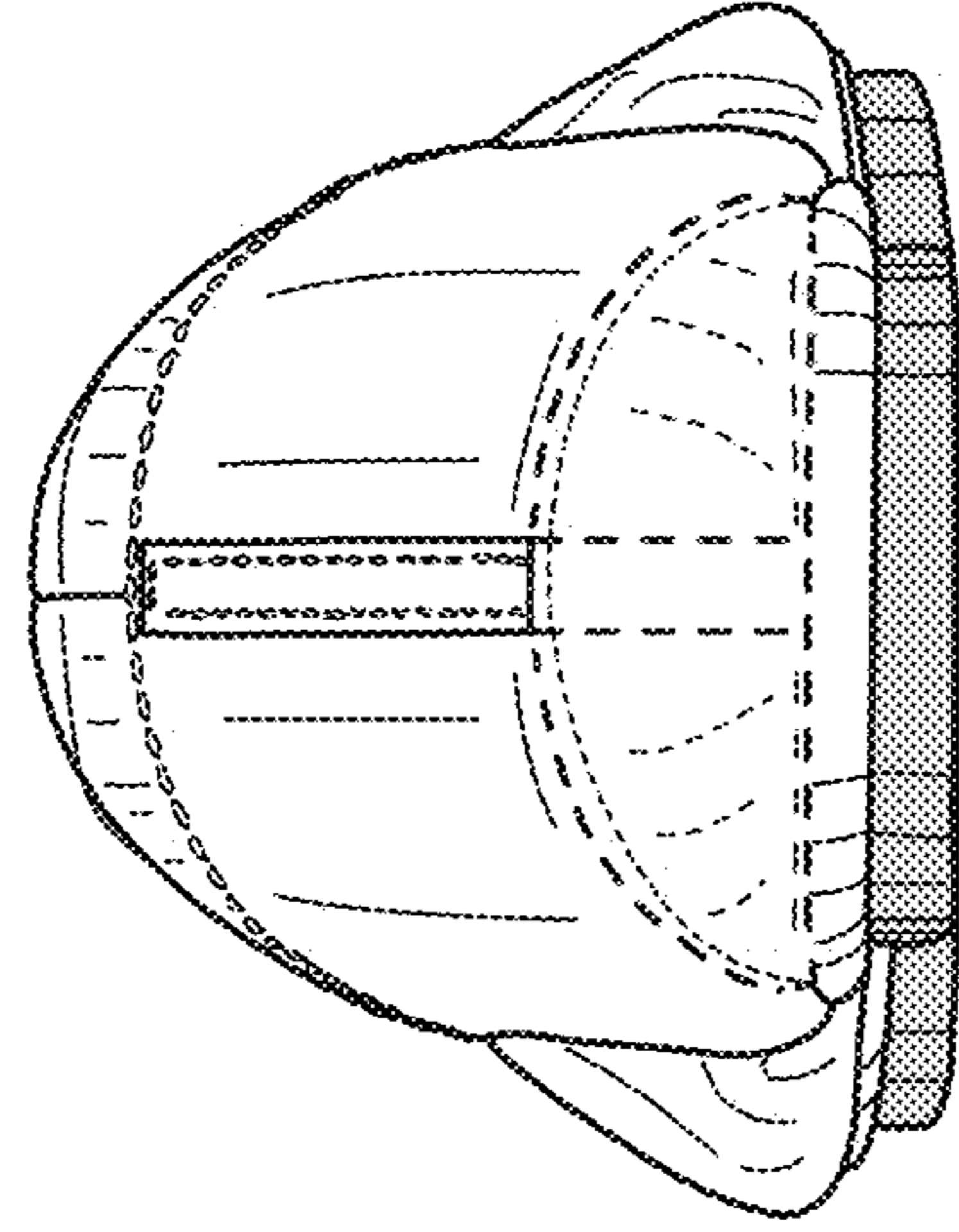


FIG. 84

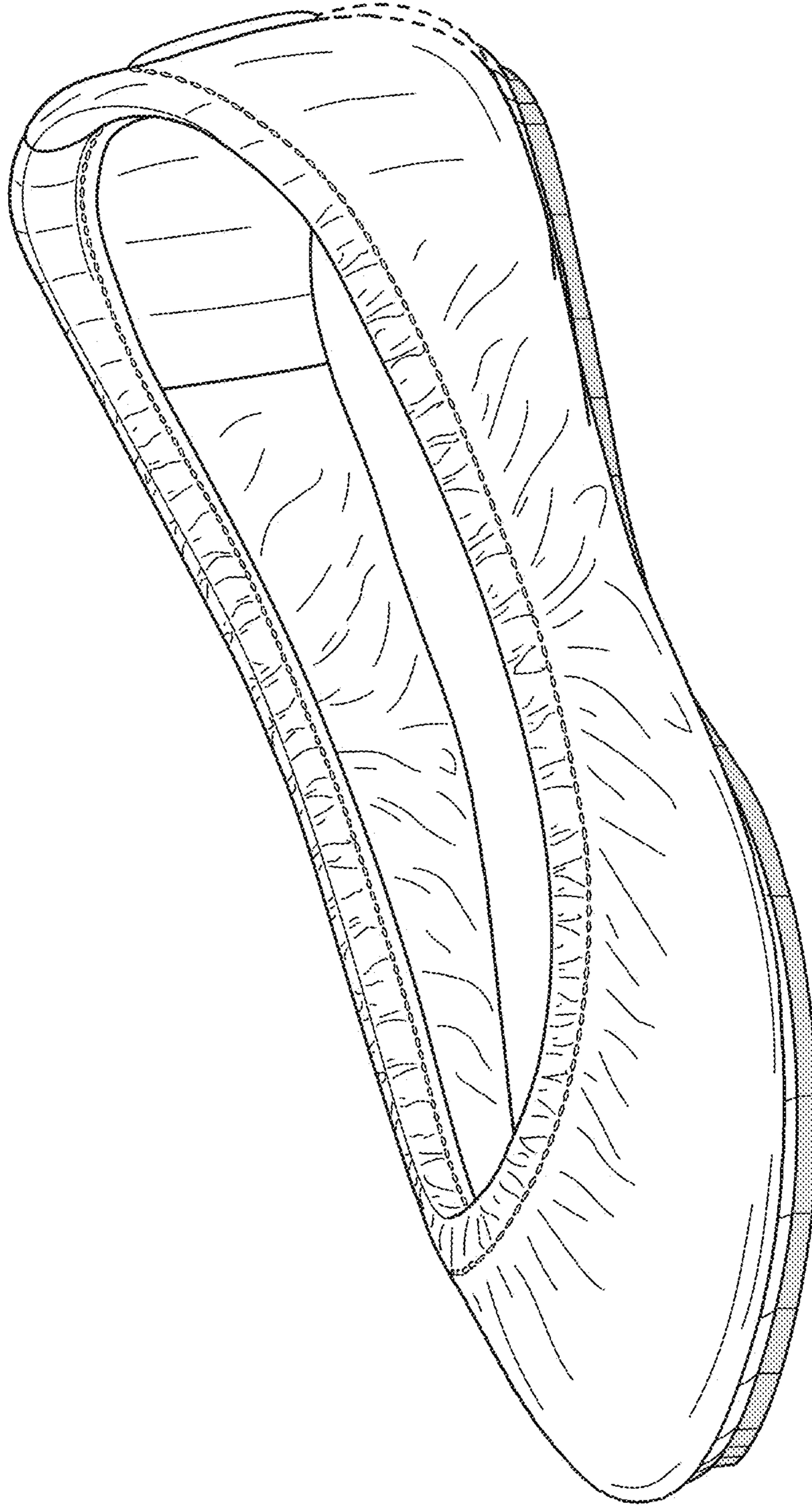


FIG. 85

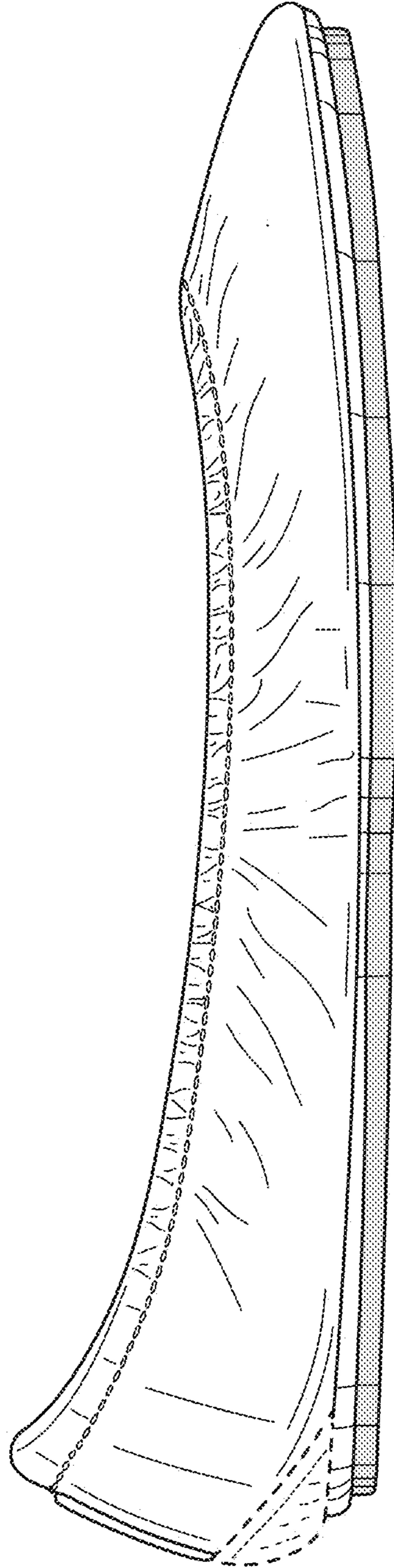


FIG. 86

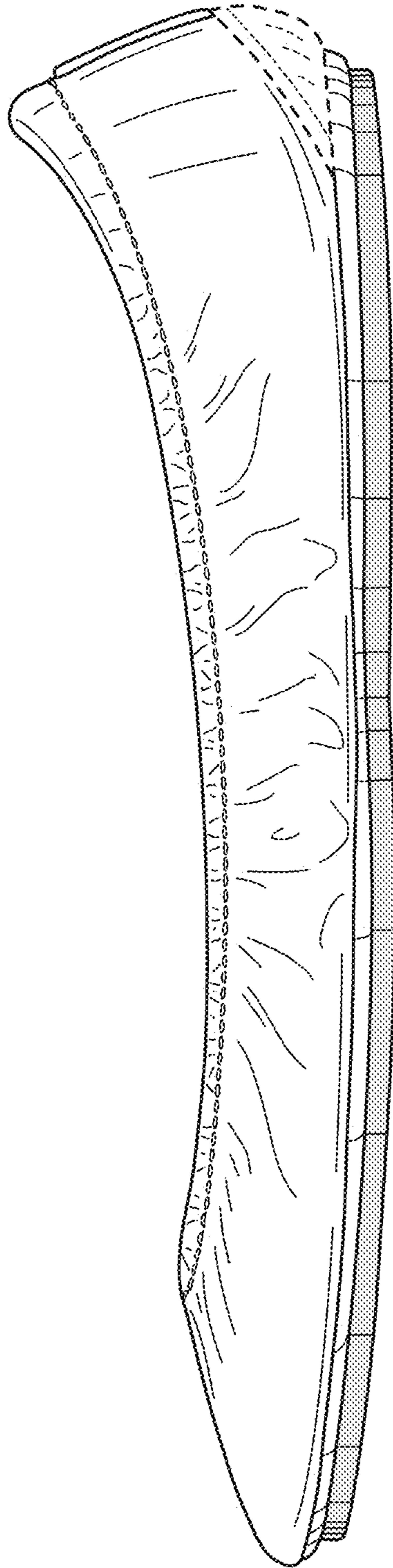


FIG. 87

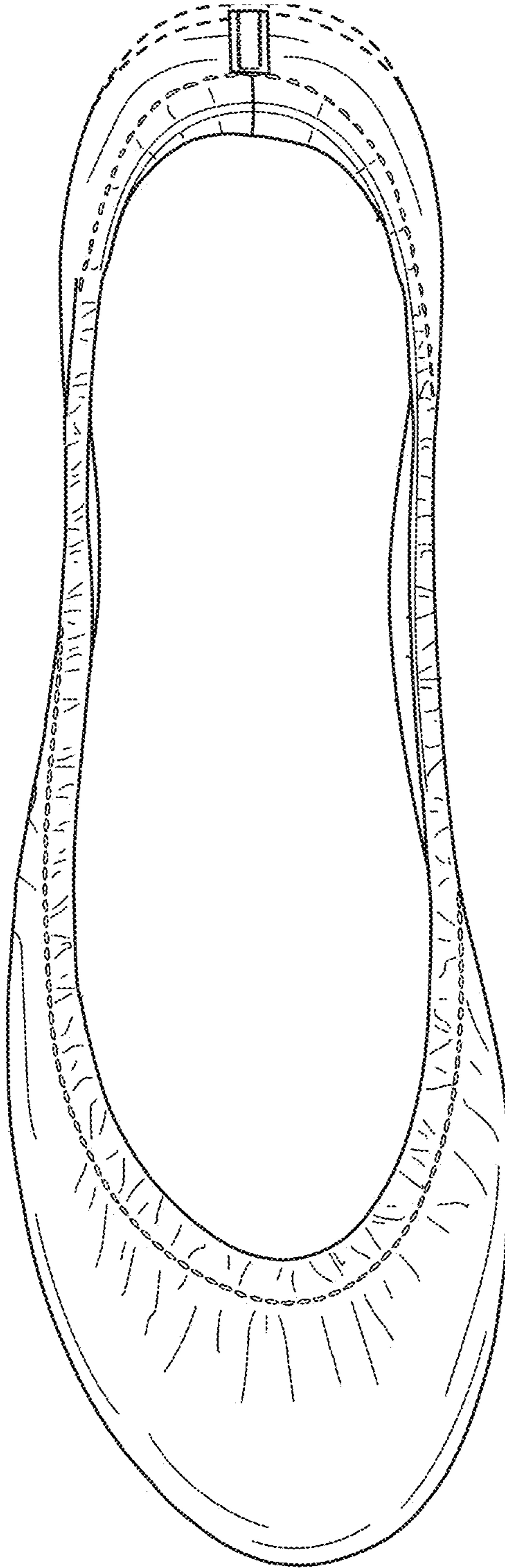


FIG. 88

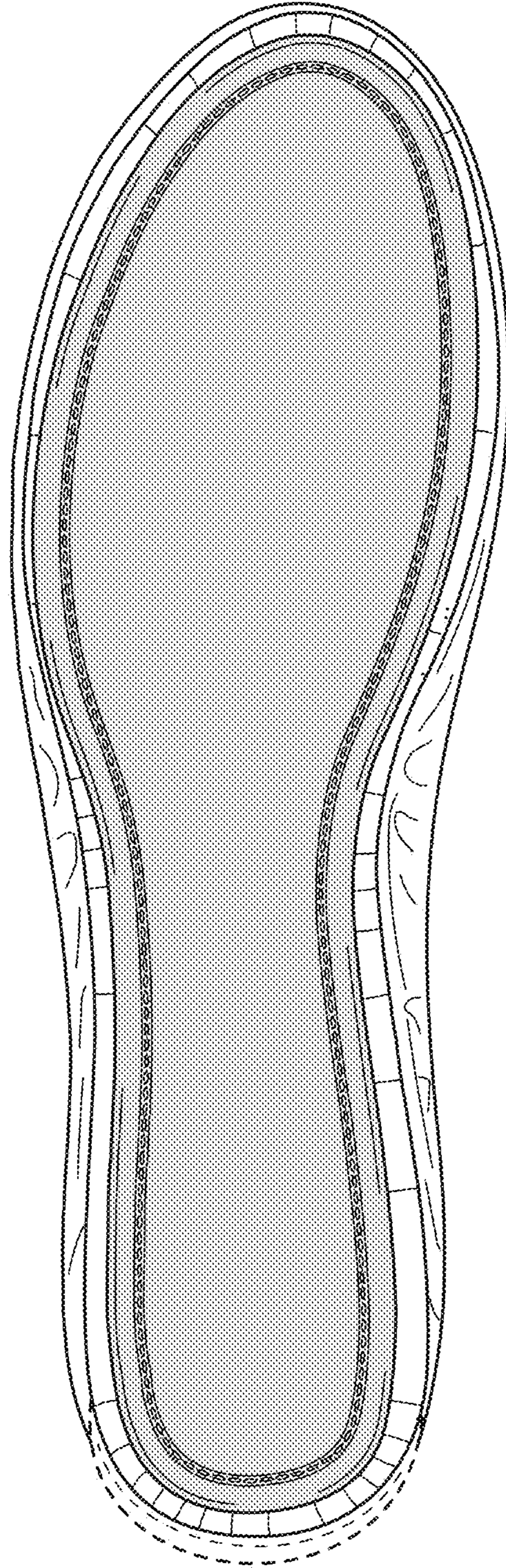


FIG. 89

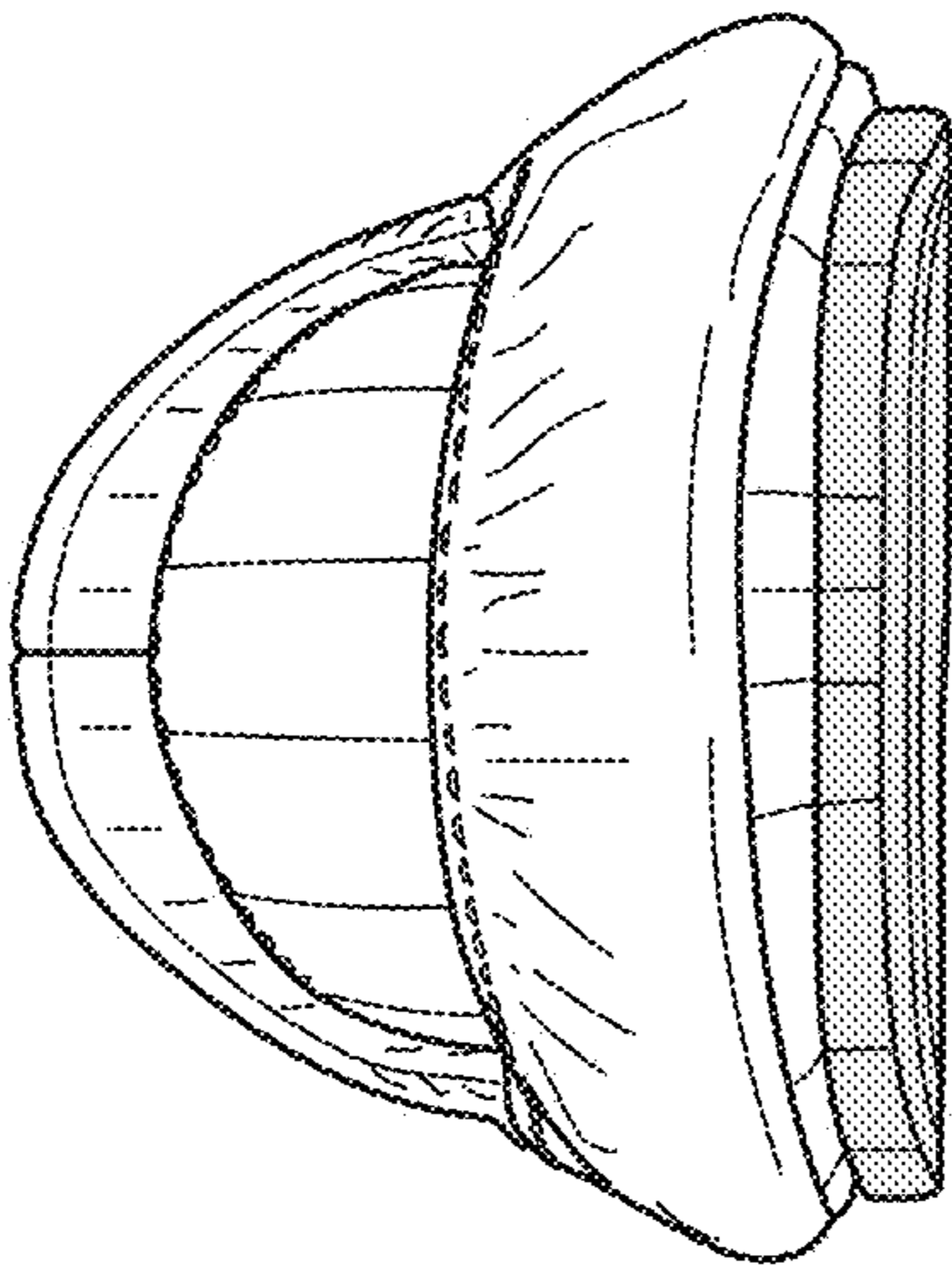


FIG. 90

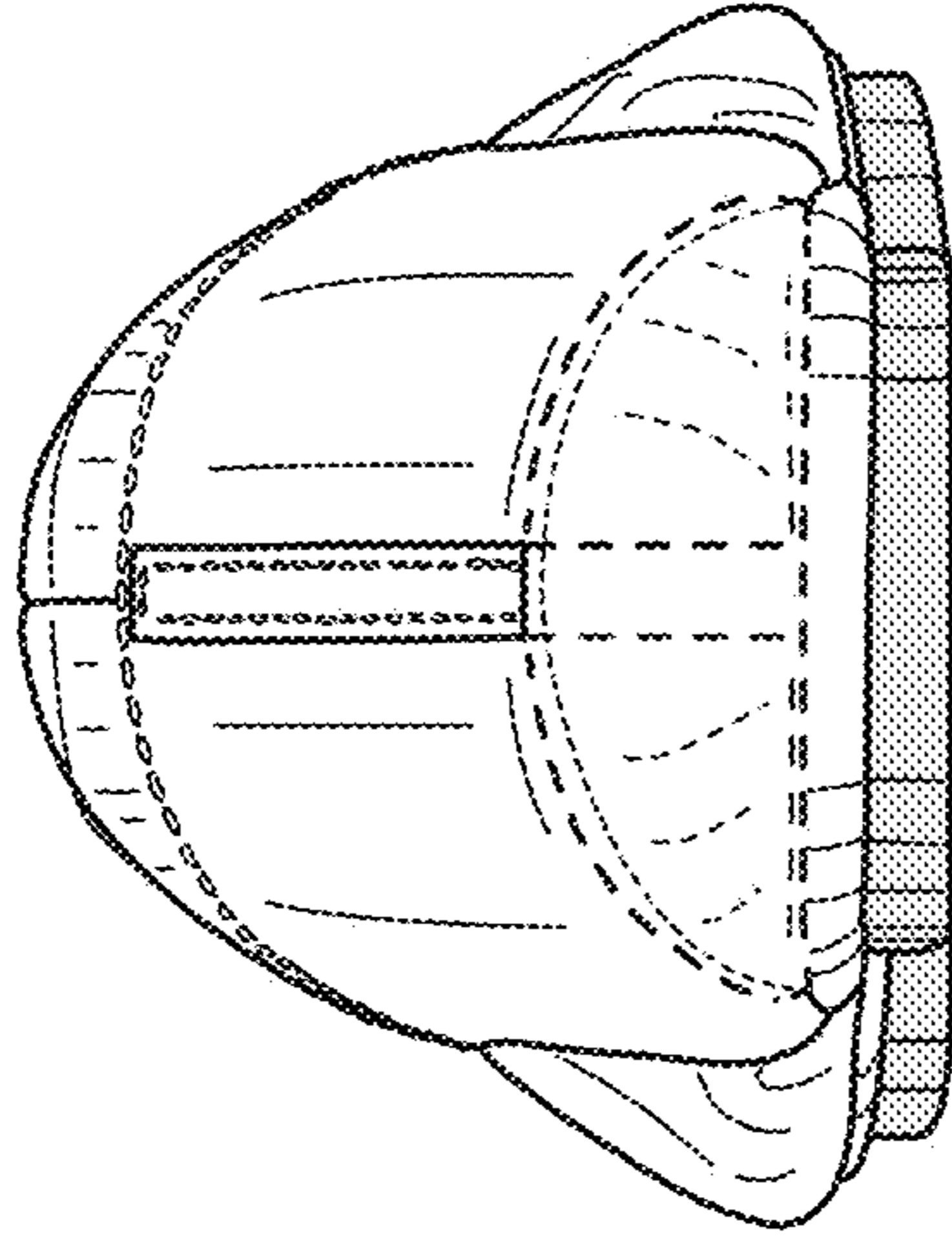


FIG. 91

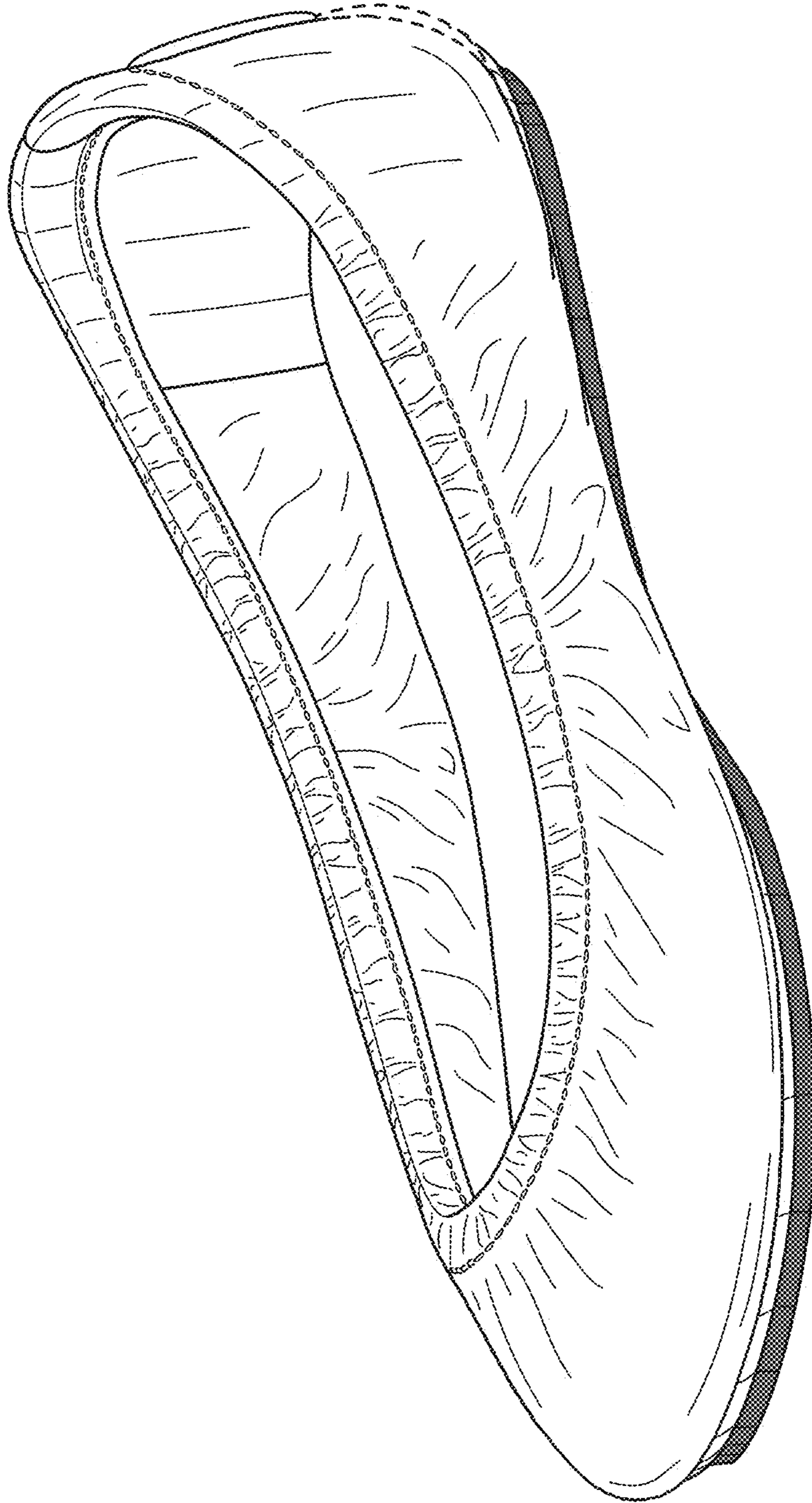


FIG. 92

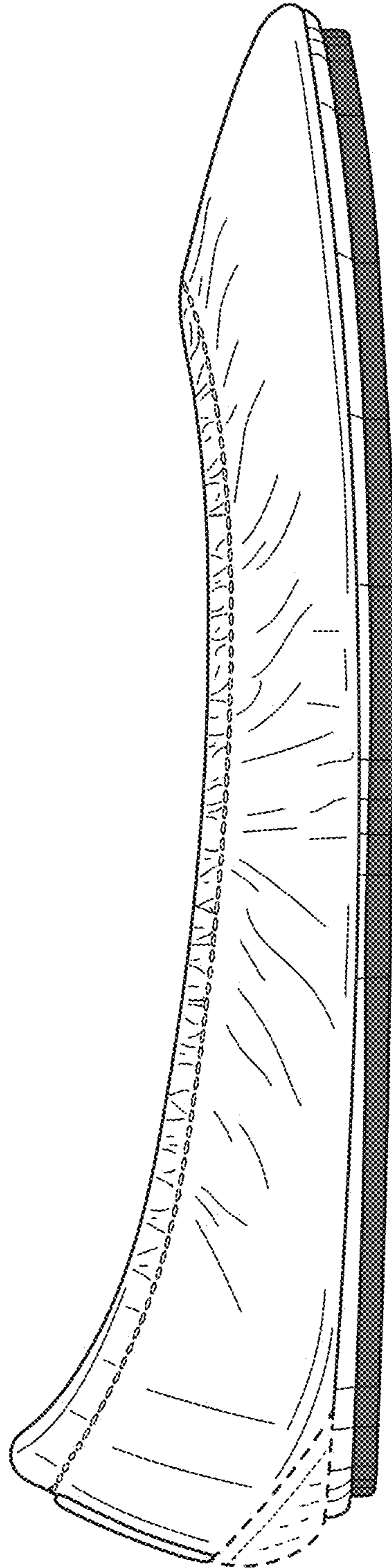


FIG. 93

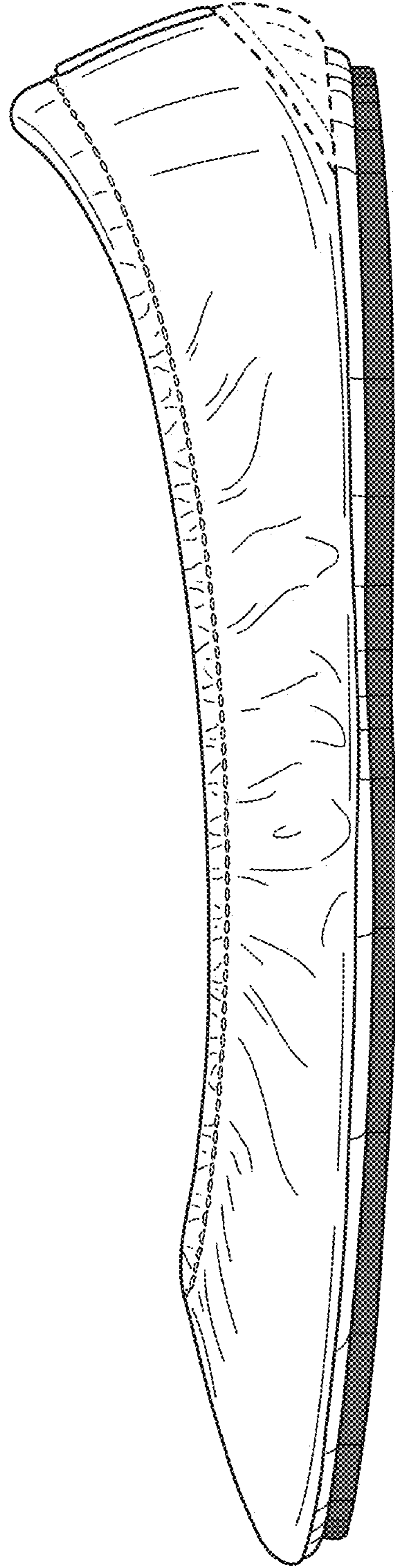


FIG. 94

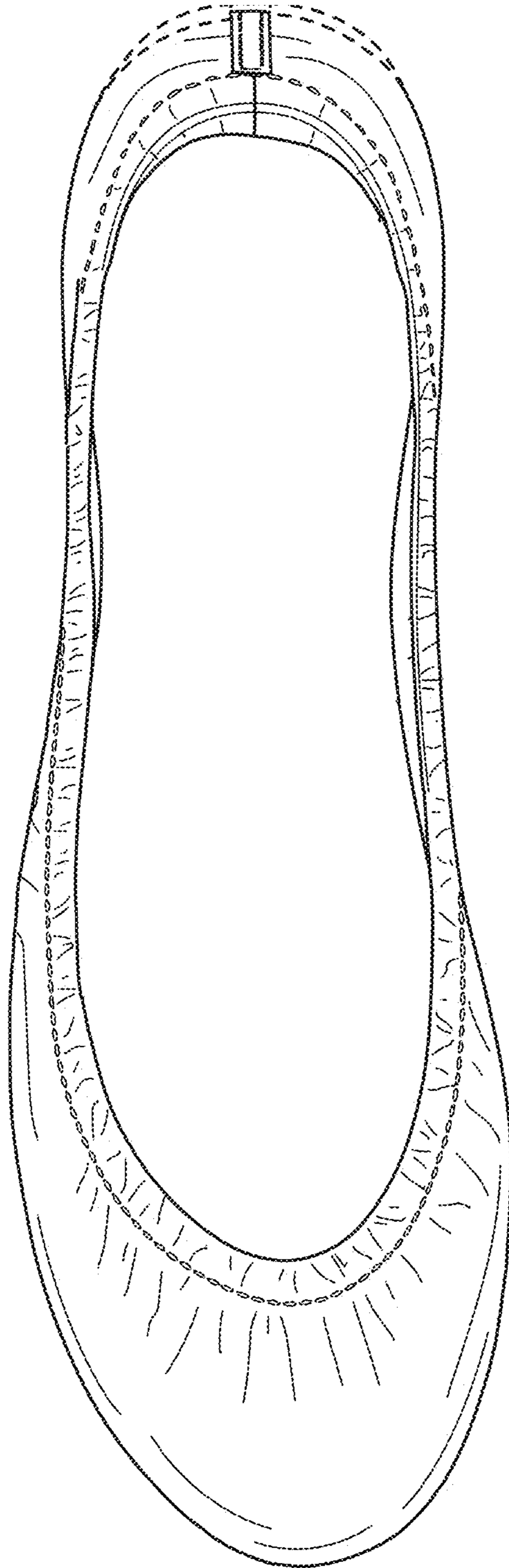


FIG. 95

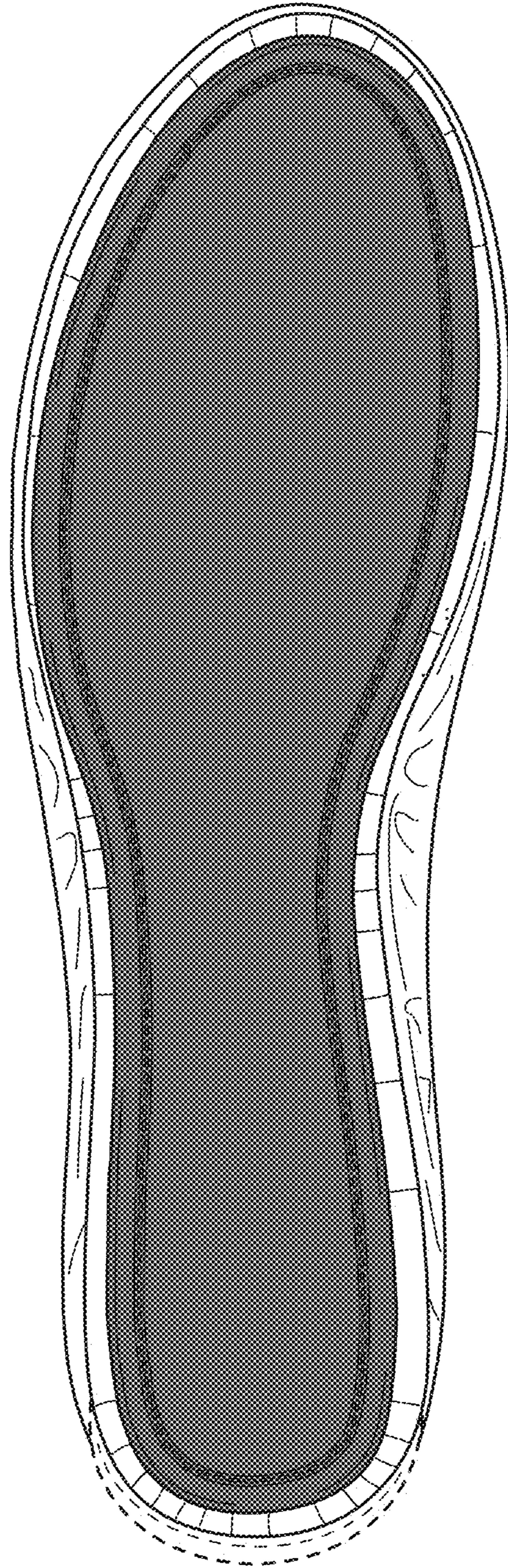


FIG. 96

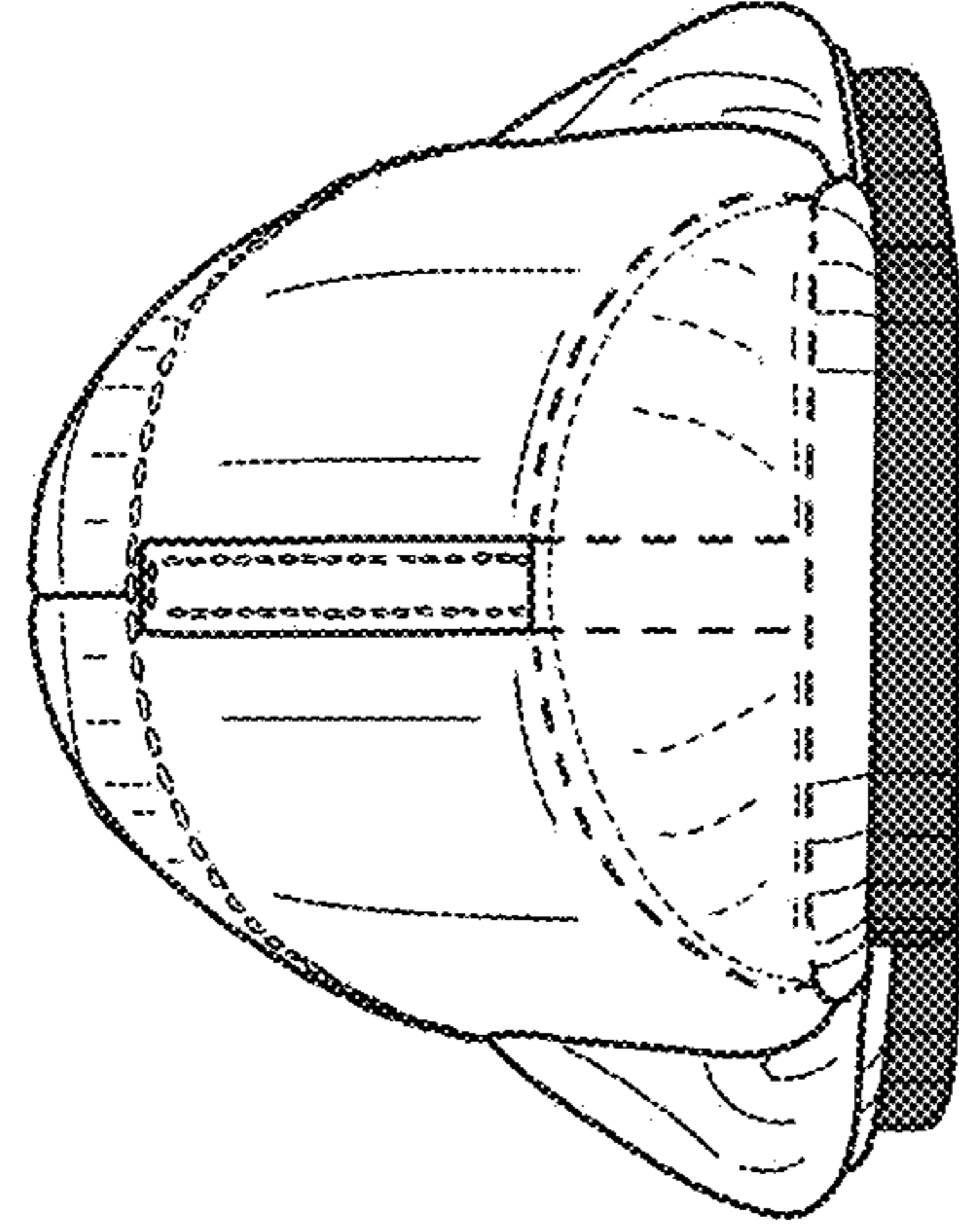


FIG. 97

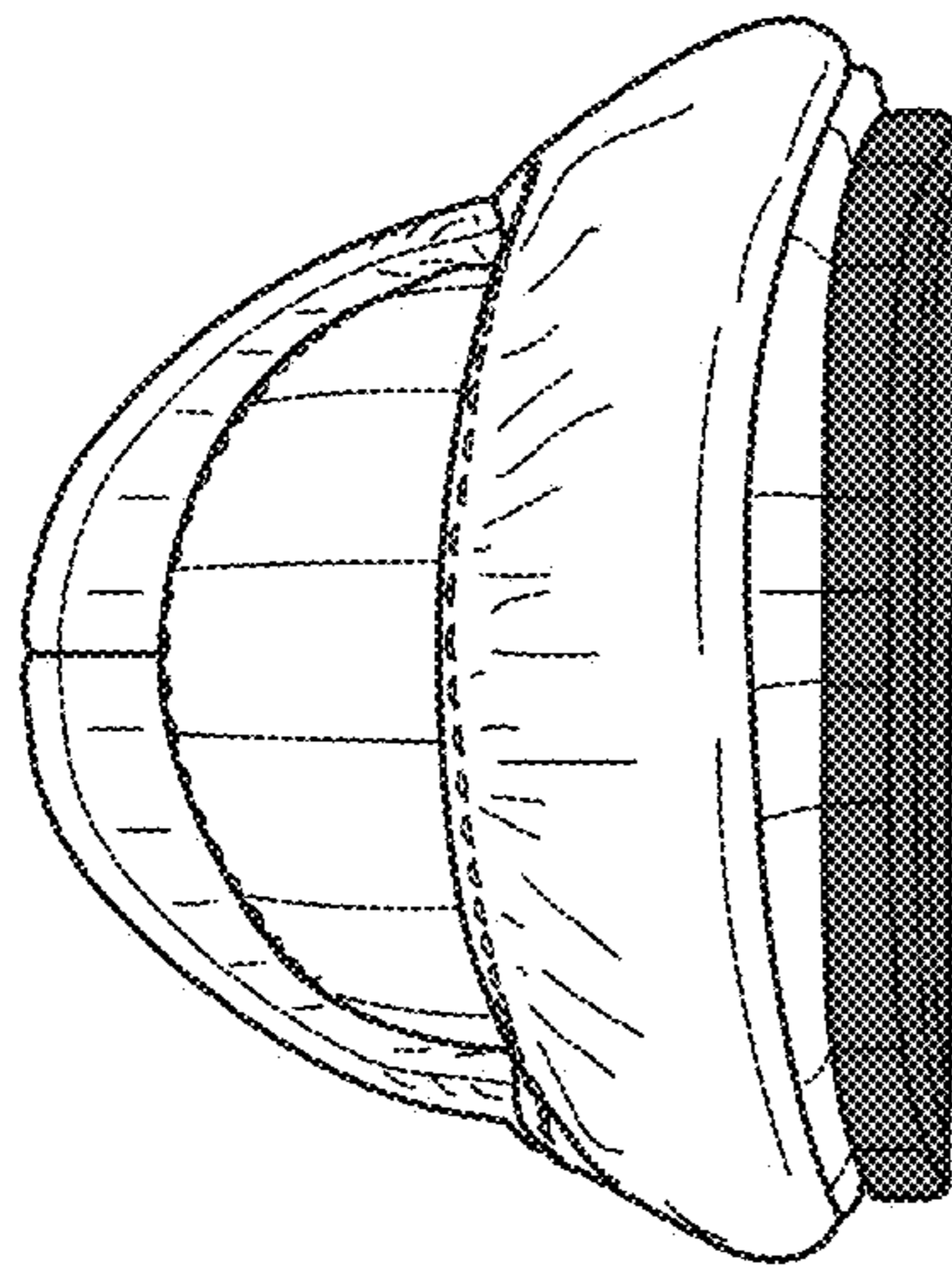


FIG. 98

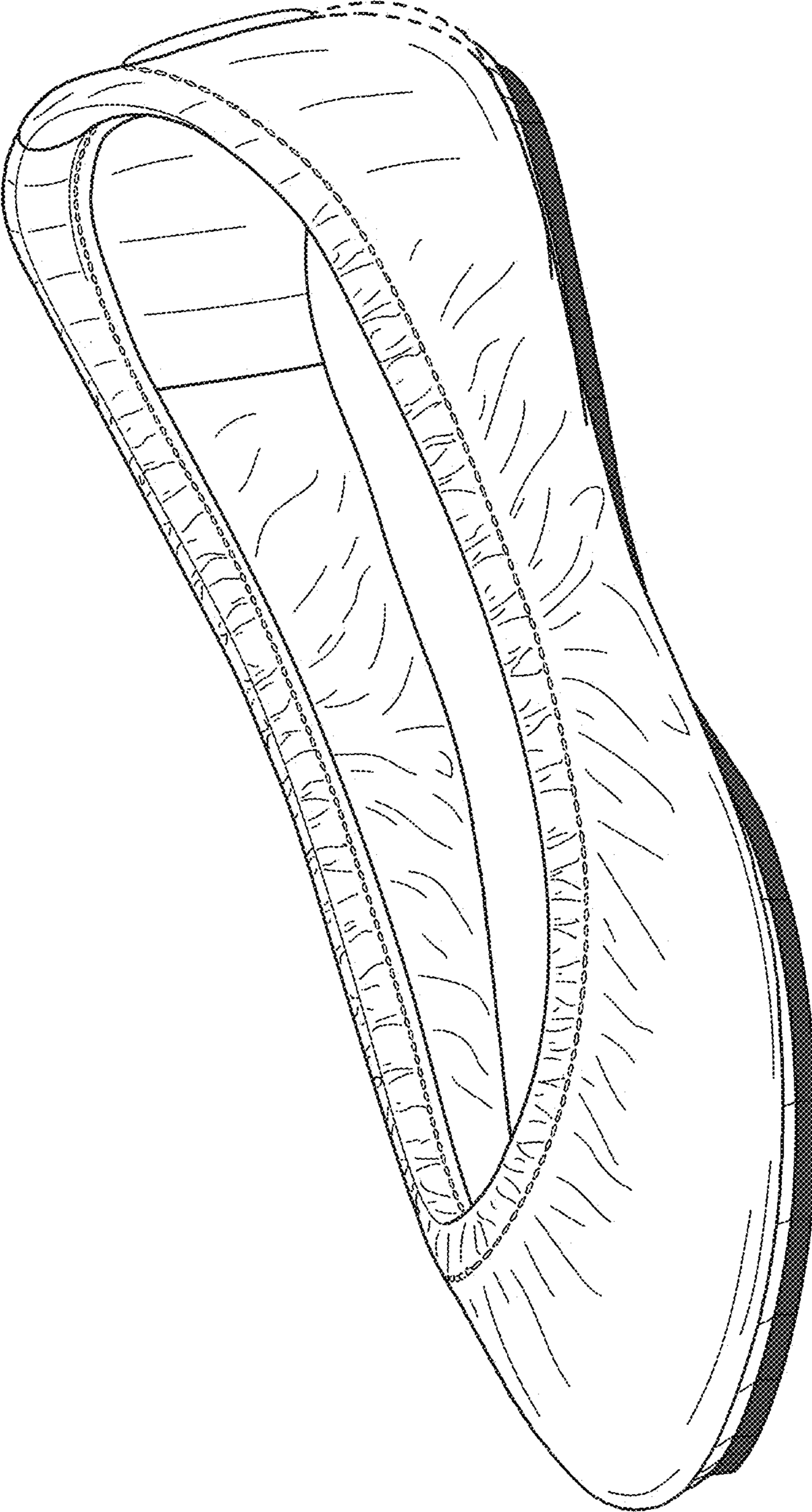


FIG. 99

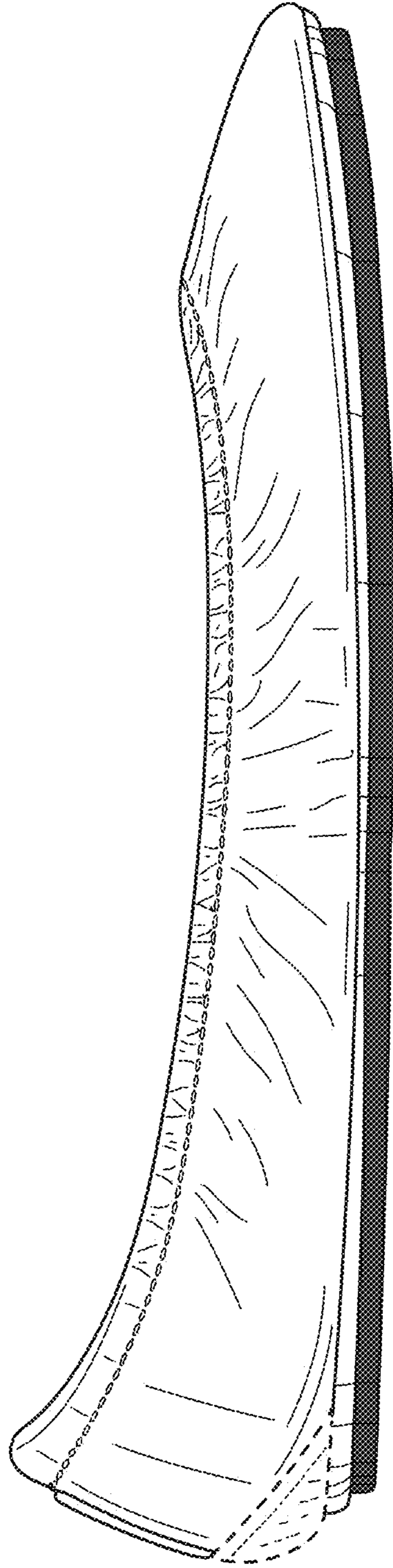


FIG. 100

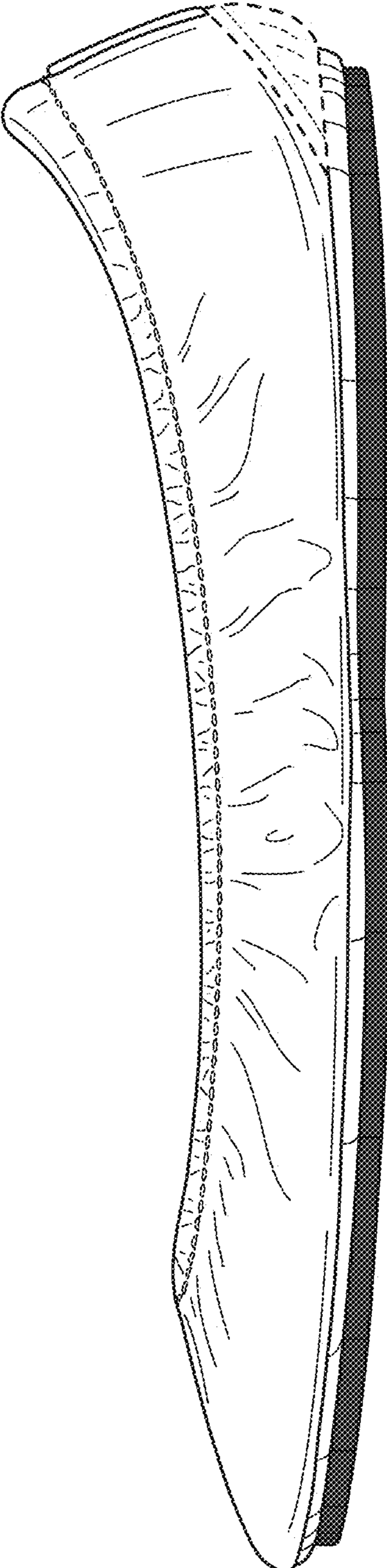


FIG. 101

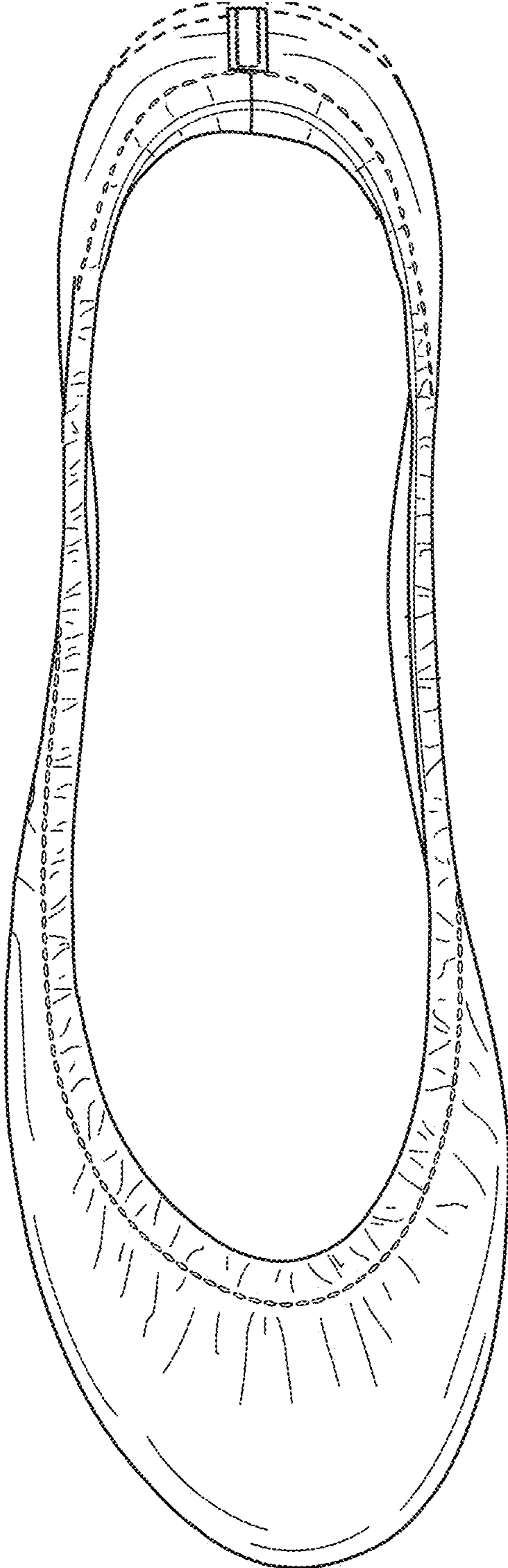


FIG. 102

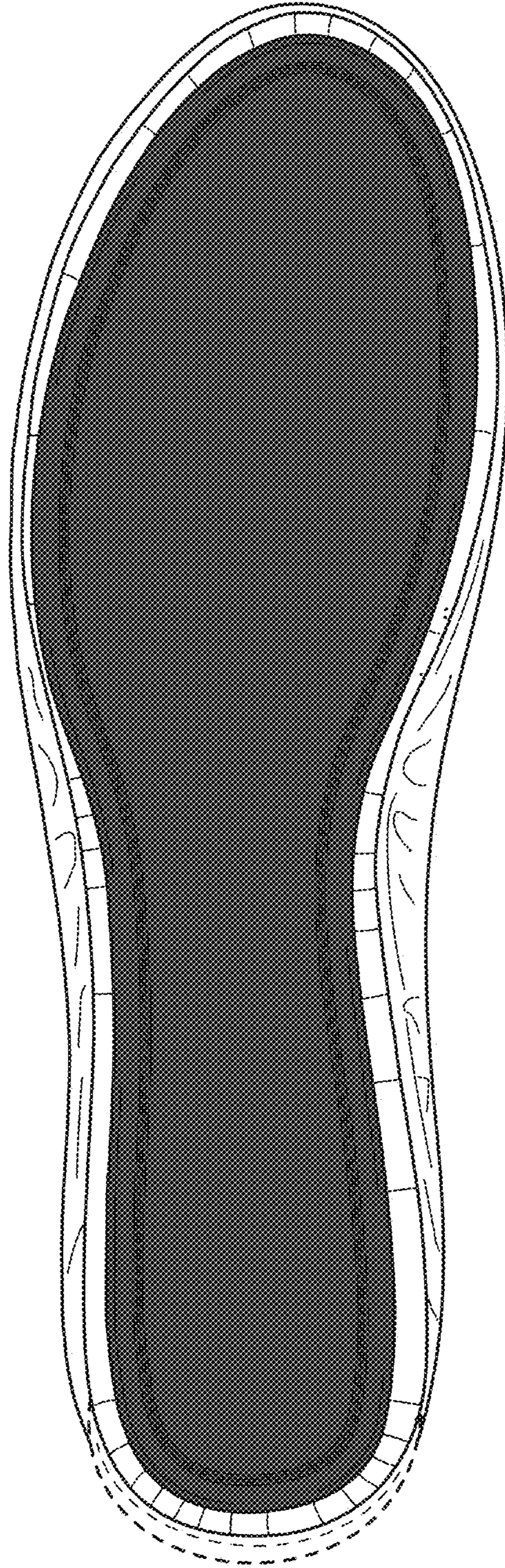


FIG. 103

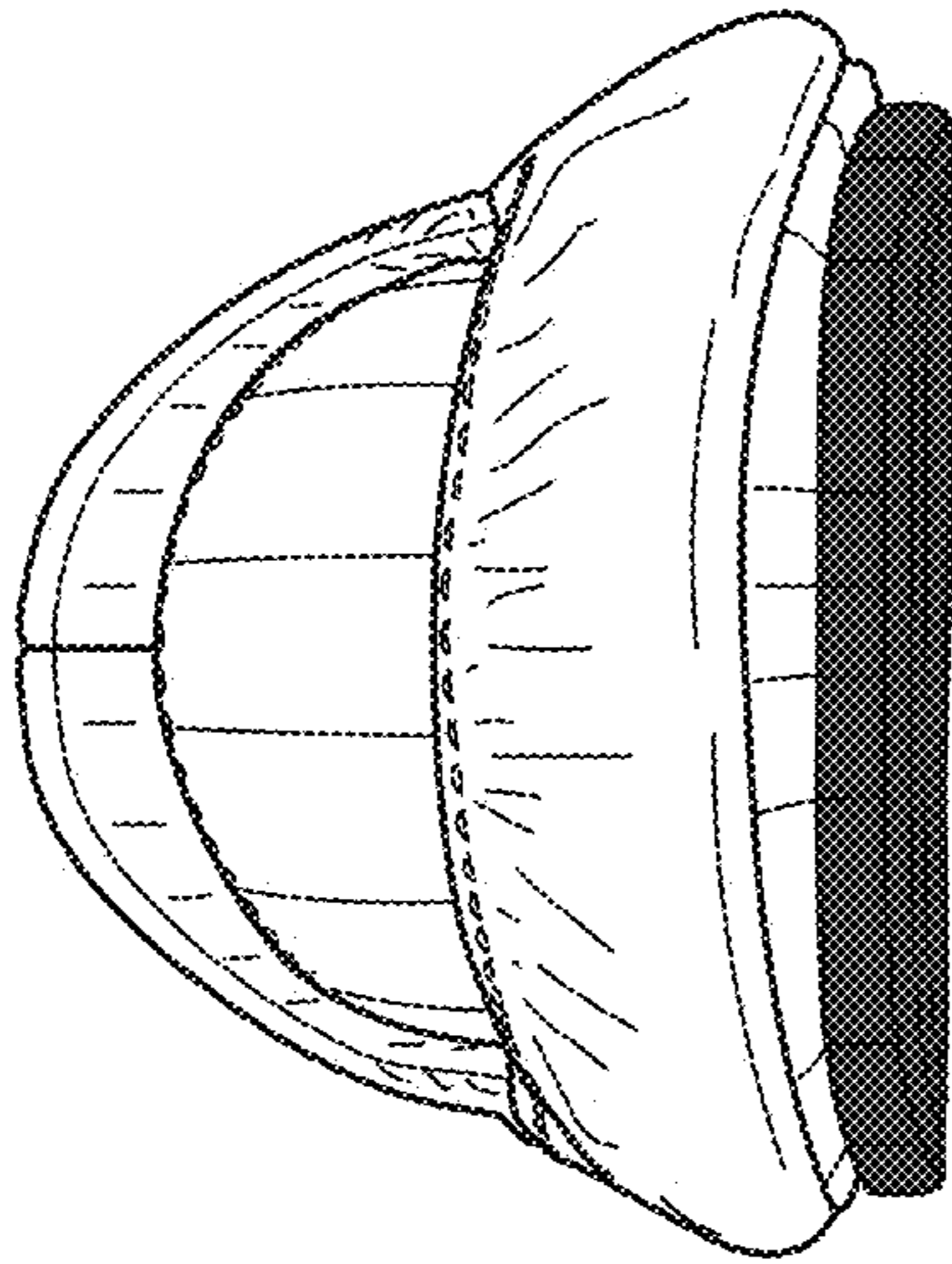


FIG. 104

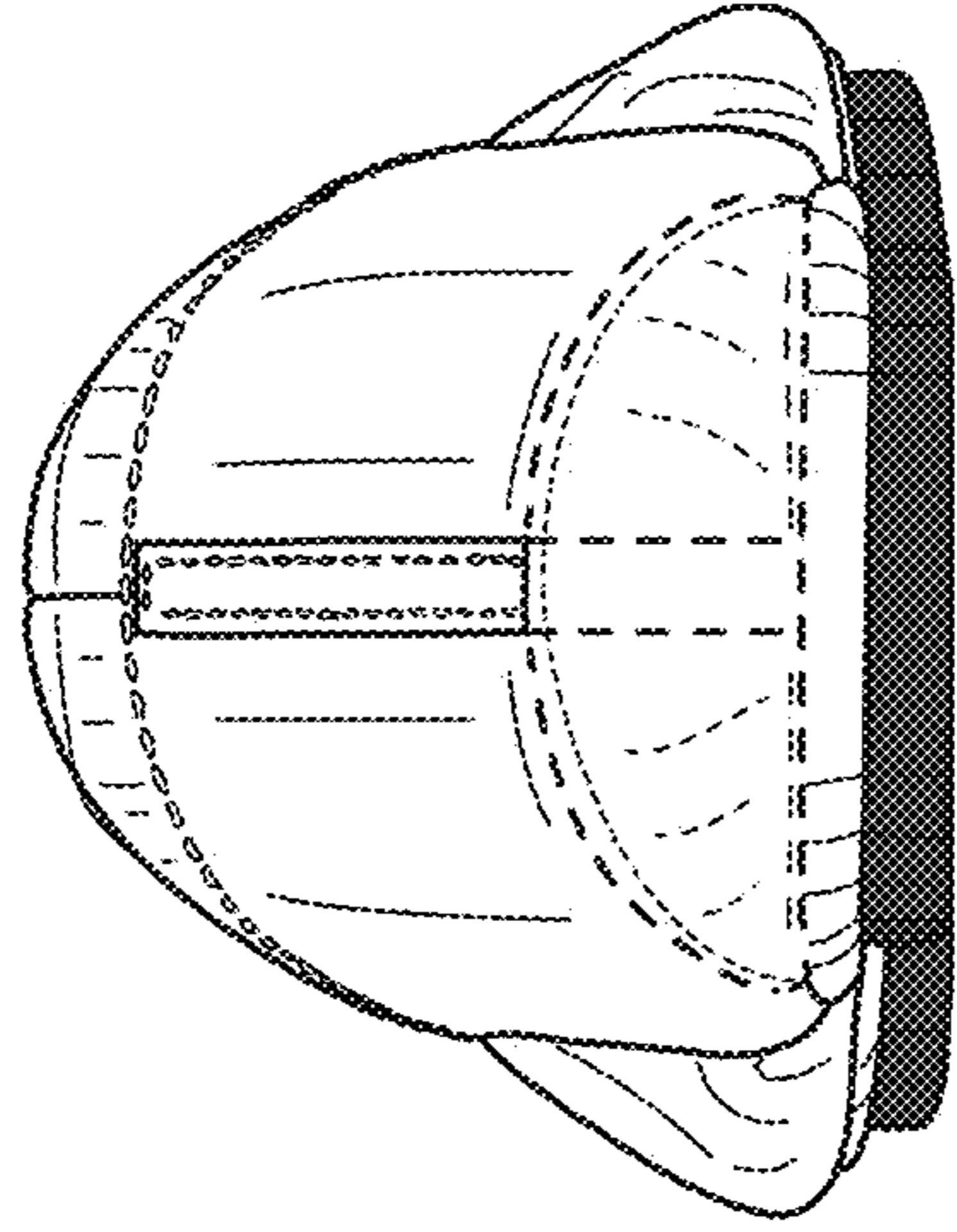


FIG. 105

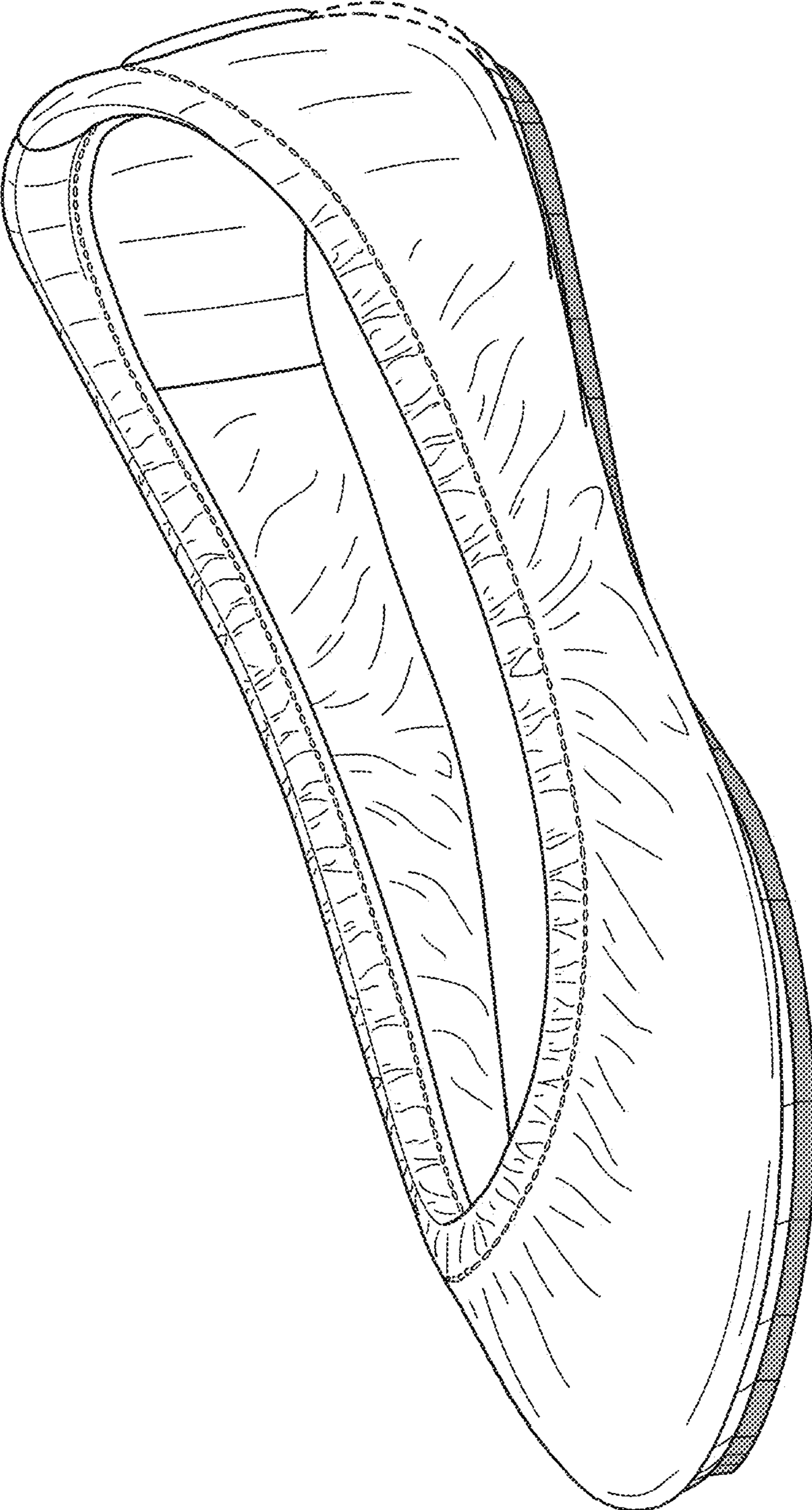


FIG. 106

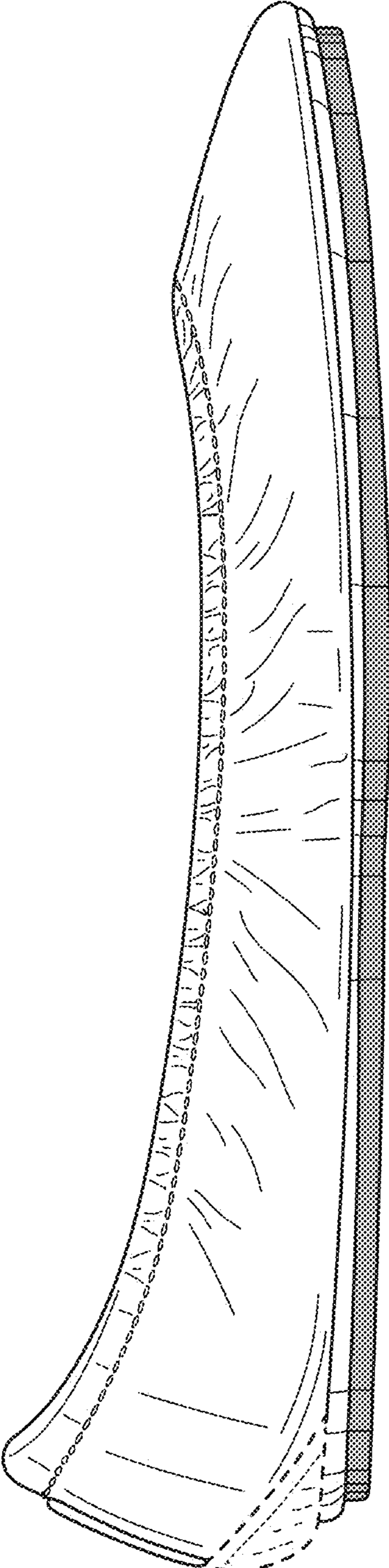


FIG. 107

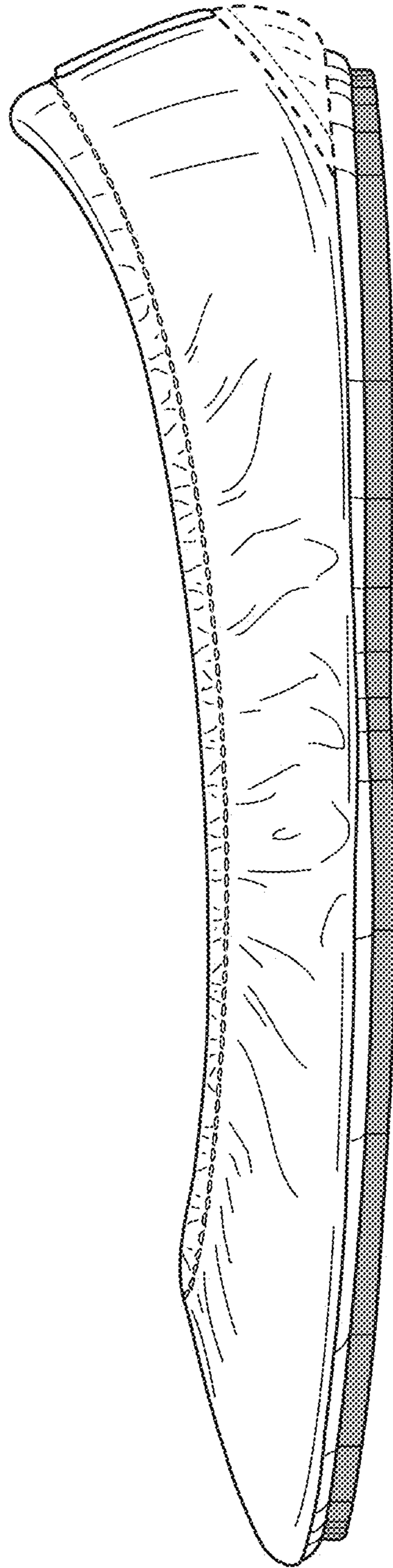


FIG. 108

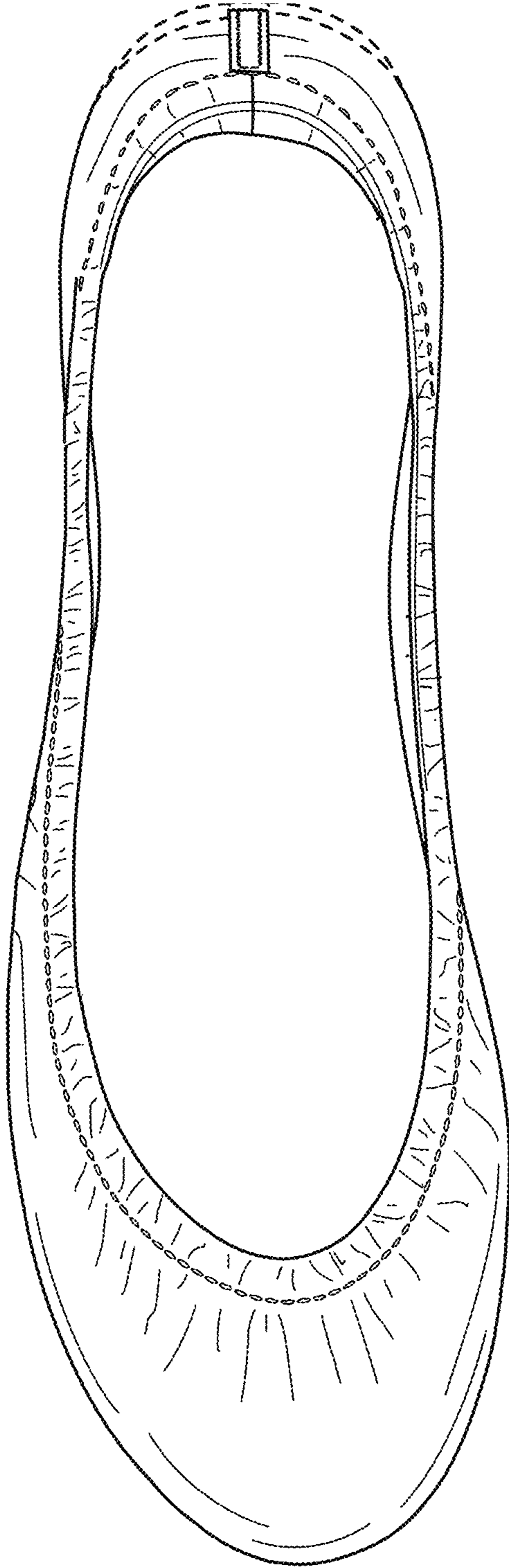


FIG. 109

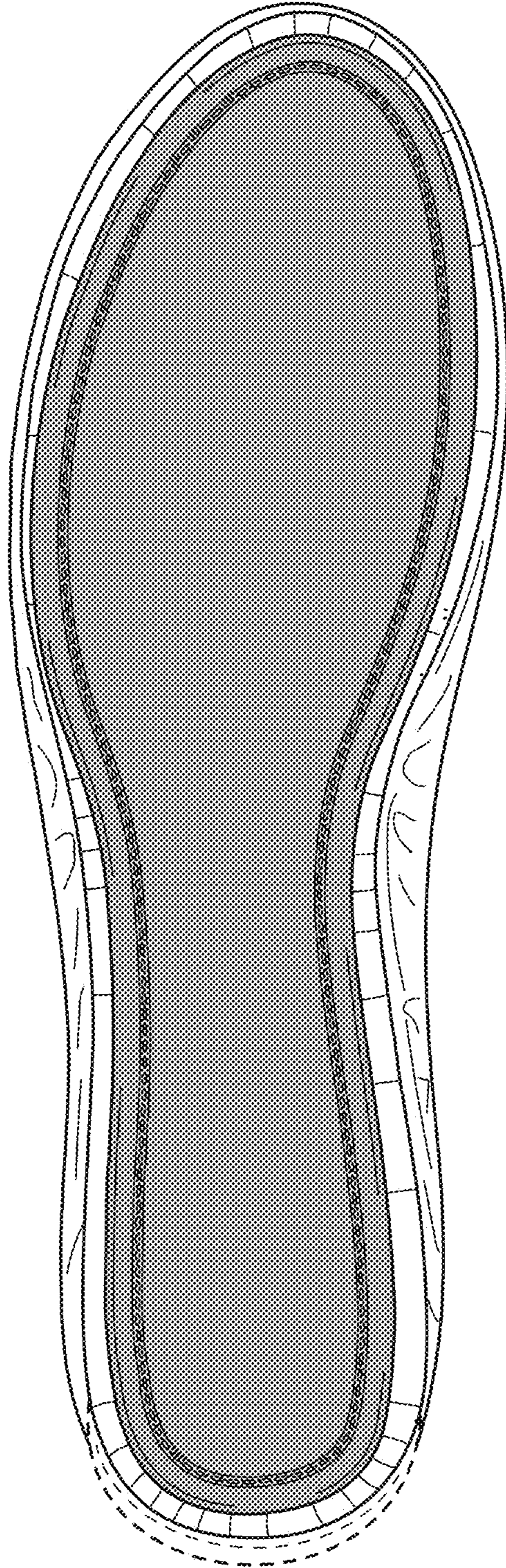


FIG. 110

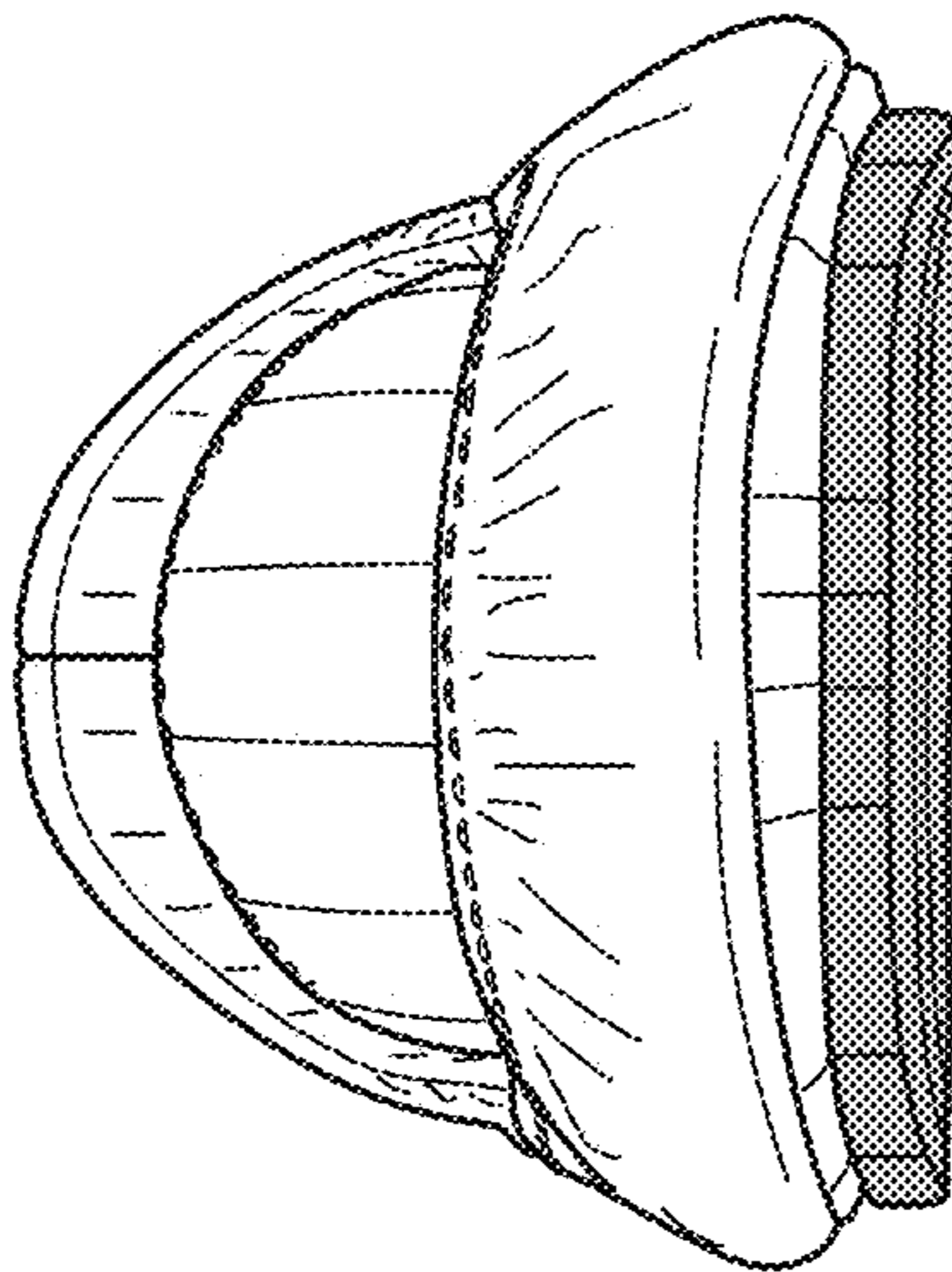


FIG. 111

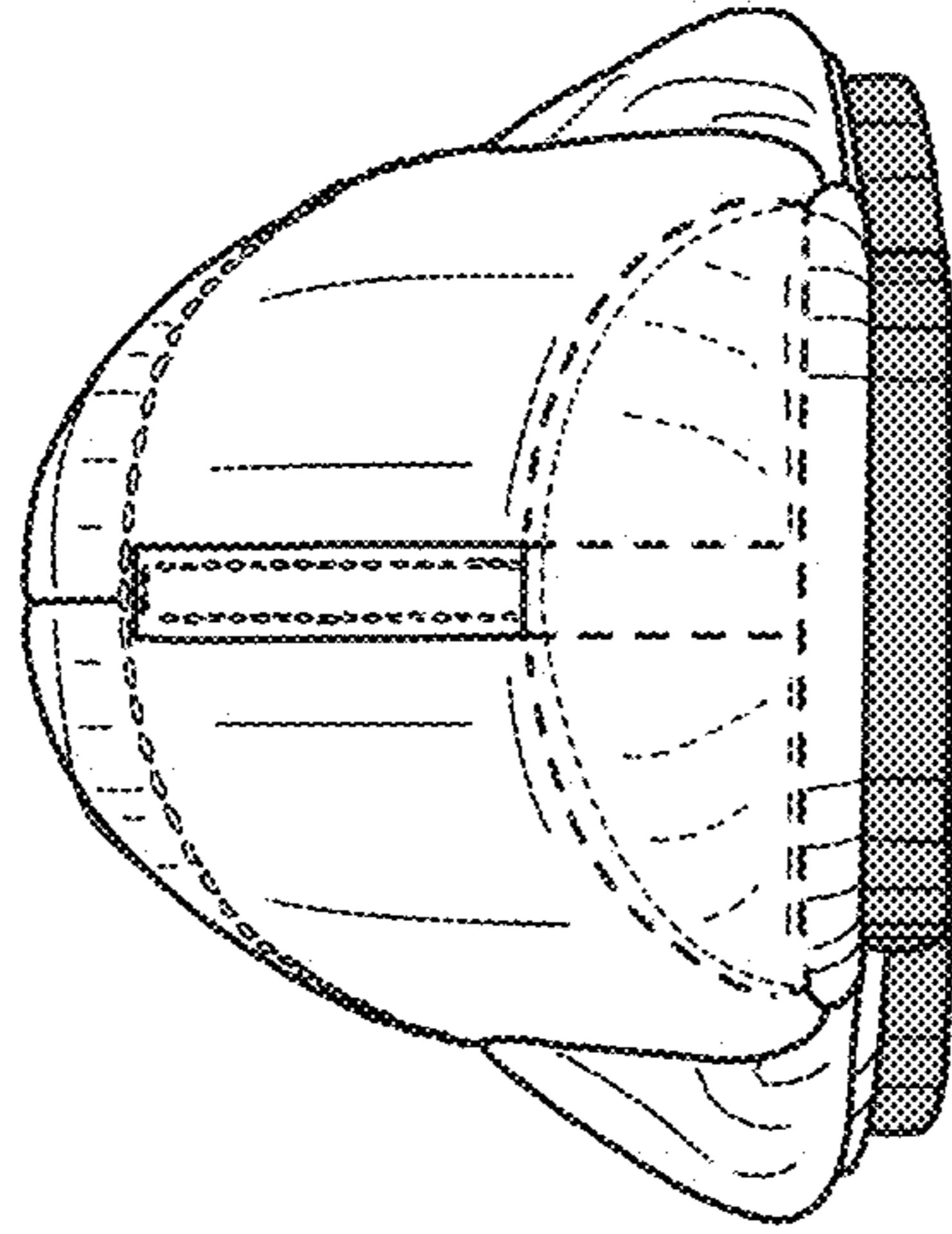


FIG. 112