



US00D846830S

(12) **United States Design Patent**
Kamakura et al.

(10) **Patent No.:** **US D846,830 S**
(45) **Date of Patent:** **** Apr. 30, 2019**

- (54) **CONFECTIONARY**
- (71) Applicant: **KRAFT FOODS GLOBAL BRANDS, LLC**, Deerfield, IL (US)
- (72) Inventors: **Yoshimitsu Kamakura**, Kanagawa (JP); **Hiroshi Segawa**, Kanagawa (JP)
- (73) Assignee: **INTERCONTINENTAL GREAT BRANDS LLC**, East Hannover, NJ (US)
- (**) Term: **14 Years**
- (21) Appl. No.: **29/447,418**
- (22) Filed: **Mar. 4, 2013**

Related U.S. Application Data

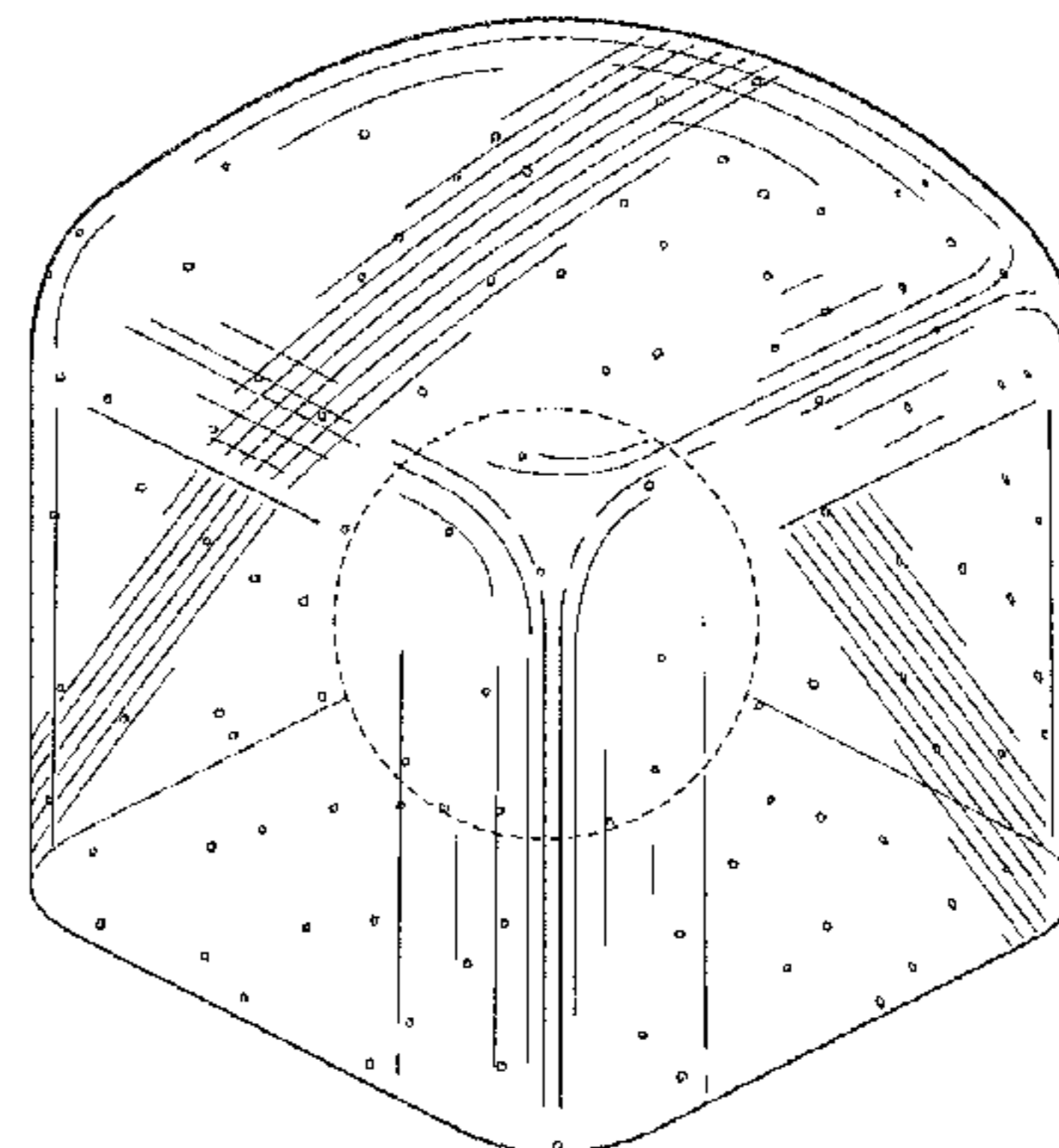
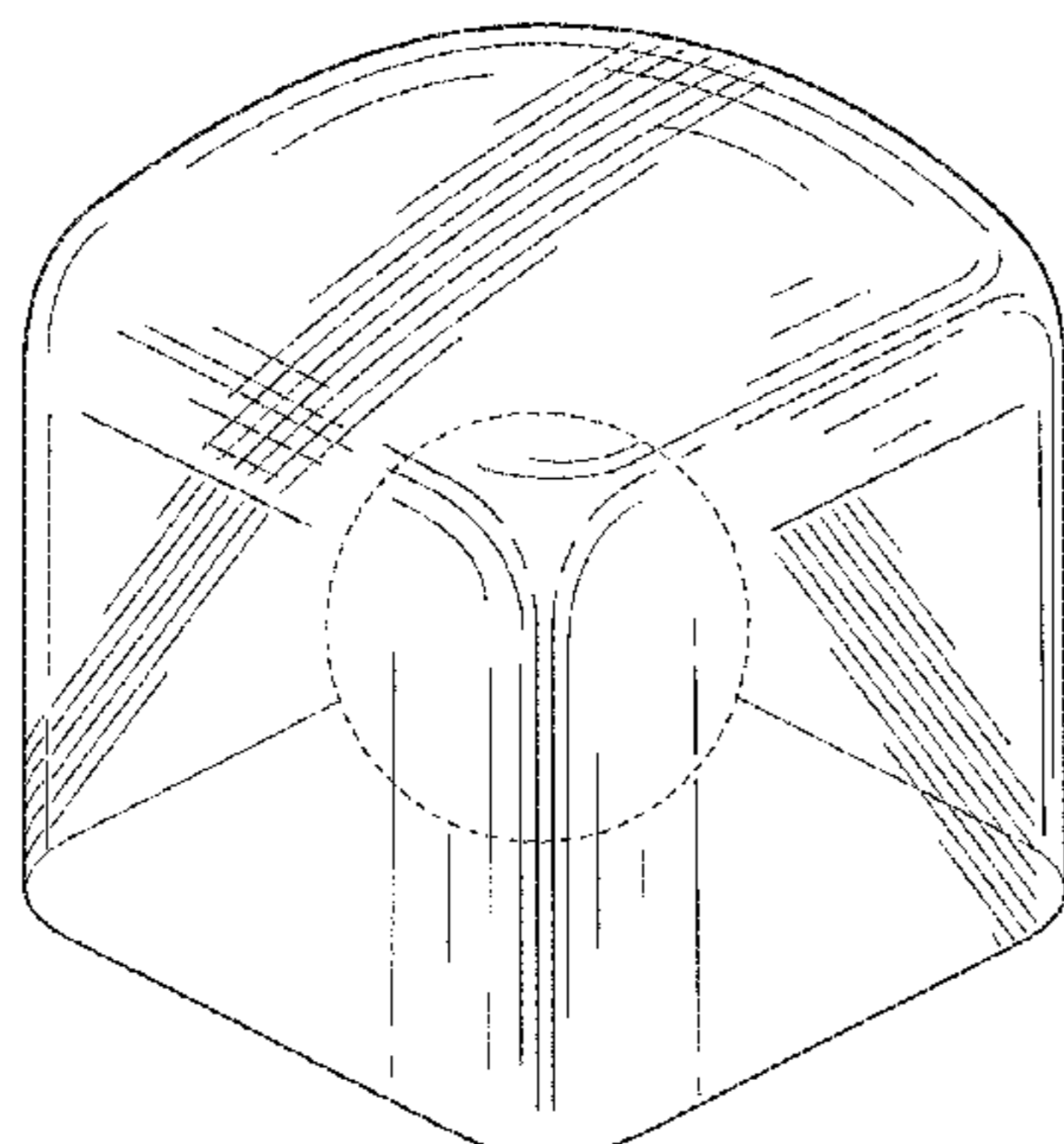
- (62) Division of application No. 29/396,470, filed on Jun. 30, 2011, now Pat. No. Des. 723,766.
- (51) **LOC (11) Cl.** **01-01**
- (52) **U.S. Cl.**
USPC **D1/127**
- (58) **Field of Classification Search**
USPC D1/100–199; D24/101, 102; 426/3, 5, 426/87, 89, 92, 103, 104, 129, 138, 144, 426/249, 660, 383, 512, 516, 808; 424/467; D25/113, 119, 121–132; D21/499; D5/55–58, 62; D27/100
See application file for complete search history.

(56) **References Cited**

U.S. PATENT DOCUMENTS

- D10,647 S * 4/1878 Kimberly D9/431
- D14,010 S 6/1883 Stinard
- D22,882 S 11/1893 Roes
- D23,574 S 8/1894 Ward
- 787,887 A 4/1905 Baker
- 1,527,051 A 2/1925 Longan
- 1,573,078 A * 2/1926 McCool 426/303
- 1,593,907 A 7/1926 Madan
- 2,179,672 A * 11/1939 Roys 426/497
- 2,252,934 A 8/1941 Lautmann

- 2,311,923 A 2/1943 Lautmann
- 4,164,351 A 8/1979 Baker
- 4,362,751 A 12/1982 Dogliotti
- 4,430,351 A 2/1984 Cillario
- 4,563,345 A 1/1986 Arrick
- D284,946 S * 8/1986 Augros D9/435
- 4,738,817 A 4/1988 Wittwer et al.
- D314,855 S * 2/1991 Puglisi et al. D1/127
- 5,603,219 A 2/1997 Kolb
- D389,635 S * 1/1998 Henderson D1/199
- D414,895 S 10/1999 Olson et al.
- D485,421 S * 1/2004 Norton D1/127
- D485,643 S * 1/2004 McLeish D28/8.1
- D485,942 S * 1/2004 McLeish D28/8.1
- D485,963 S 2/2004 Norton
- 6,790,467 B2 9/2004 Kostival et al.
- 6,807,284 B2 10/2004 Nakamura
- D509,858 S 9/2005 May et al.
- D513,687 S * 1/2006 Destrooper D7/523
- D523,494 S 6/2006 Van Straaten
- D524,478 S 7/2006 McLeish
- D531,381 S * 11/2006 Bailey D1/101
- D537,201 S 2/2007 McLeish et al.
- D552,633 S 10/2007 Volkan
- D553,294 S 10/2007 Vetterli et al.
- D560,604 S * 1/2008 Saunders D13/100
- D578,729 S * 10/2008 Lee et al. D1/127
- 7,556,487 B2 7/2009 Acar et al.
- D608,840 S 1/2010 Crutchfield et al.
- D610,628 S 2/2010 Christensen et al.
- D613,029 S * 4/2010 Krumholz D1/127
- 7,842,308 B2 11/2010 McAllister et al.
- D665,531 S * 8/2012 Nixon D28/8.1
- D666,359 S * 8/2012 Nixon D28/8.1
- D674,134 S * 1/2013 Carroll et al. D27/100
- D674,538 S * 1/2013 Macko et al. D27/100
- D697,692 S * 1/2014 Kerr et al. D1/199
- D707,421 S * 6/2014 Tan D1/127
- D723,766 S * 3/2015 Kamakura et al. D1/127
- 2003/0219484 A1 11/2003 Sowden et al.
- 2006/0078660 A1 4/2006 Martin
- 2006/0237903 A1 10/2006 Mackenzie
- 2007/0160713 A1 7/2007 Walter et al.
- 2007/0231426 A1 10/2007 Acar et al.
- 2008/0213436 A1 9/2008 Mansuino
- 2009/0053390 A1 2/2009 Sakou et al.
- 2009/0098242 A1 4/2009 Nissen
- 2009/0202673 A1 8/2009 Phillips et al.
- 2012/0167902 A1 * 7/2012 Macko et al. 131/112



FOREIGN PATENT DOCUMENTS

JP	5-68481	A	3/1993
JP	10-80246	A	3/1998
JP	2007-28951	A	2/2007
JP	2008-173121	A	7/2008
WO	2005065461	A1	7/2005
WO	WO2008079927	A1	7/2008
WO	2009090416	A1	7/2009
WO	WO2011010723	A1	1/2011

OTHER PUBLICATIONS

Mochatini, posted Jun. 2011 [online], [retrieved Jun. 9, 2015]. Retrieved from internet, <http://www.mochatini.org>.*

Clif Shot Bloks, posted Mar. 21, 2011 [online], [retrieved Jun. 9, 2015]. Retrieved from internet, <http://coachlevi.com/product-reviews/clif-shot-bloks/>.*

Crazy Bee Candies Jellies, posted [online], [retrieved Jun. 9, 2015]. Retrieved from internet, <http://www.roshen.com/en/products/east-and-africa/jelly-candies-mena/>.*

Trader Joe's Dark Chocolate Sea Salt Caramels, posted Dec. 14, 2009 [online], [retrieved Nov. 19, 2015]. Retrieved from internet, <http://zomgcandy.com/2009/12/14/trader-joes-dark-chocolate-sea-salt-caramels/>.*

Hard "Candy", posted Mar. 29, 2011 [online], [retrieved Nov. 19, 2015]. Retrieved from internet, <https://benbets.wordpress.com/2011/03/29/hard-candy-sayings-of-jesus/>.*

Gummy Bear, posted Jun. 12, 2008 [online], [retrieved Nov. 19, 2015]. Retrieved from internet, <http://www.popfi.com/2008/06/12/death-of-a-gummy-bear/>.*

Blueberry Martini Jello Shots, posted Aug. 27, 2008 [online], [retrieved Nov. 19, 2015]. Retrieved from internet, <http://www.bionicbites.com/2008/08/blueberry-martini-jello-shots-nyc/>.*

Woodhouse Chocolate—Dark Chocolate Caramels with Fleur de Sel, posted Apr. 13, 2009 [online], [retrieved Nov. 19, 2015]. Retrieved from internet, <http://cocoadosed.livejournal.com/>.*

Lime Slime Eyeball Jelly Shooters, posted Oct. 22, 2008 [online], [retrieved Nov. 19, 2015]. Retrieved from internet, <http://www.styleathome.com/blog/2008/10/22/halloween-treats/>.*

Jelly Candy on a white background, posted Mar. 23, 2011 [online], [retrieved Nov. 19, 2015]. Retrieved from internet, <https://www.colourbox.com/image/jelly-candy-on-a-white-background-image-1653224>.*

JP Design Application No. 2011-029670 OA dated Mar. 19, 2013, English Translation.

JP Design Application No. 2011-029671 OA dated Mar. 19, 2013, English Translation.

JP Design Application No. 2011-029665 OA dated Mar. 19, 2013, English Translation.

JP Design Application No. 2011-029666 OA dated Mar. 19, 2013, English Translation.

JP Design Application No. 2011-029667 OA dated Mar. 19, 2013, English Translation.

JP Design Application No. 2011-029668 OA dated Mar. 19, 2013, English Translation.

JP Design Application No. 2011-029669 OA dated Mar. 19, 2013, English Translation.

EP SR Application No. 10802343.3-1357 dated Dec. 3, 2013.

National Center for Industrial Property General Information on Feb. 13, 2003. "Katei Gaho," No. 3, Mar. 1, 2003, p. 127, JPO Design Division Publicly-Known Material No. HA14028991.

National Center for Industrial Property General Information on Jun. 10, 2003. "Waraku," No. 7, Jul. 1, 2003, p. 166, JPO Design Division Publicly-Known Material No. HA15009959.

National Center for Industrial Property General Information on Jul. 1, 2004, "Katei Gaho," No. 8, Aug. 1, 2004, p. 194, JPO Design Division Publicly-Known Material No. HA16014109.

JPO General Information Center on Jul. 9, 1993, Korean Design Publication on Mar. 20, 1993, p. 1, JPO Design Division Publicly-Known Material No. HH05034599.

Illustration—set vector illustration simple shapes geometric, [online], [retrieved Apr. 2, 2012]. Retrieved from Internet, http://www.123rf.com/photo_6168515_set-vector-illustration-simple-shapes-geometric.html.

ISR PCT/JP2010/062435 dated Oct. 26, 2010.

"The Journal of Baking and Confection," vol. 595, p. 94, Seika Jikkensha, Jun. 5, 1983, JPO Design Division Publicly-Known Material No. J58015321.

SCH3-0017 OA Translation (JP2011-029665) dtd May 15, 2012.

SCH3-0019 OA Translation (JP2011-029666) dtd May 15, 2012.

SCH3-0020 OA Translation (JP2011-029667) dtd May 15, 2012.

SCH3-0021 OA Translation (JP2011-029668) dtd May 15, 2012.

SCH3-0022 OA Translation (JP2011-029669) dtd May 15, 2012.

SCH3-0023 OA Translation (JP2011-029670) dtd May 15, 2012.

SCH3-0024 OA Translation (JP2011-029671) dtd May 15, 2012.

* cited by examiner

Primary Examiner — Barbara Fox

(74) *Attorney, Agent, or Firm* — Cantor Colburn LLP

(57)

CLAIM

We claim, the ornamental design for a confectionary, as shown and described.

DESCRIPTION

FIG. 1 is a perspective view of a confectionary, showing our new design in a first embodiment;

FIG. 2 is a side elevation view of the embodiment shown in FIG. 1;

FIG. 3 is another side elevation view of the embodiment shown in FIG. 1;

FIG. 4 is a front elevation view of the embodiment shown in FIG. 1;

FIG. 5 is a rear elevation view of the embodiment shown in FIG. 1;

FIG. 6 is a top plan view of the embodiment shown in FIG. 1;

FIG. 7 is a bottom view of the embodiment shown in FIG. 1;

FIG. 8 is a perspective view of the confectionary, showing our new design in a second embodiment;

FIG. 9 is a side elevation view of the embodiment shown in FIG. 8;

FIG. 10 is another side elevation view of the embodiment shown in FIG. 8;

FIG. 11 is a front elevation view of the embodiment shown in FIG. 8;

FIG. 12 is a rear elevation view of the embodiment shown in FIG. 8;

FIG. 13 is a top plan view of the embodiment shown in FIG. 8; and,

FIG. 14 is a bottom view of the embodiment shown in FIG. 8.

The oblique line shading rendered on the outer portion of the confectionary shown in the Figures represents transparency or translucency of the outer portion.

Also, the broken lines shown in the drawings depict portions of the confectionary that form no part of the claimed design.

1 Claim, 8 Drawing Sheets

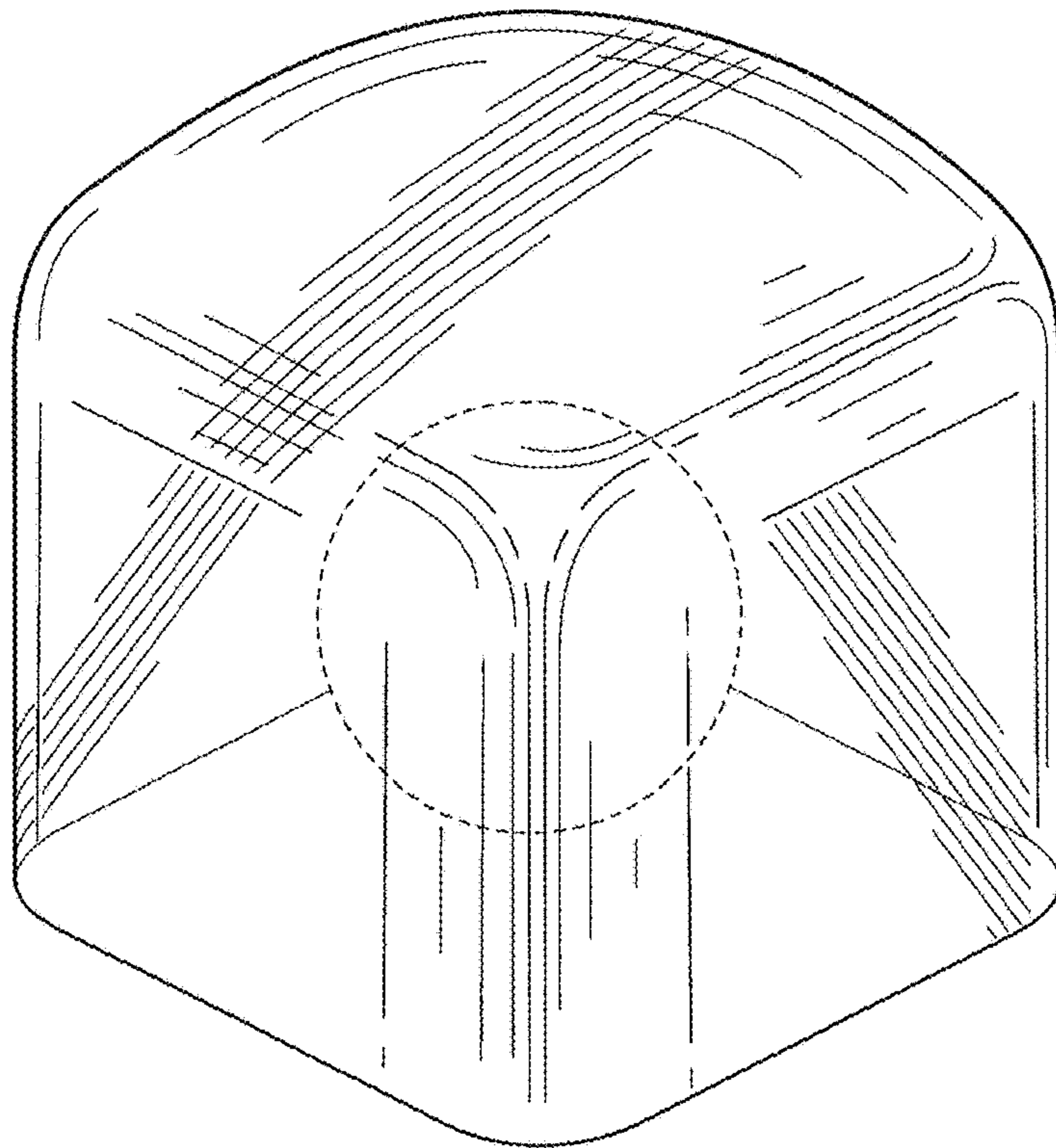


FIG. 1

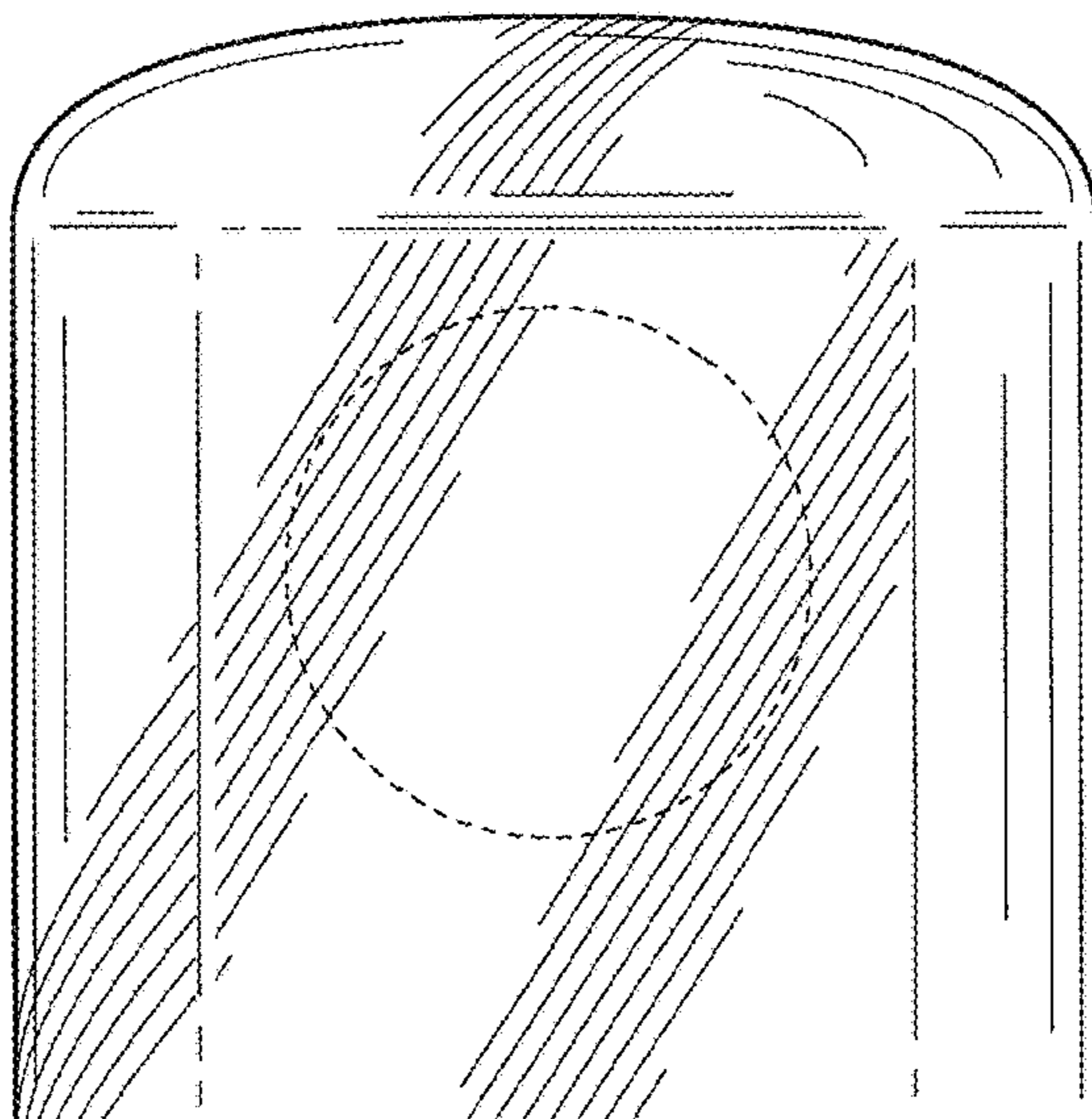


FIG. 2

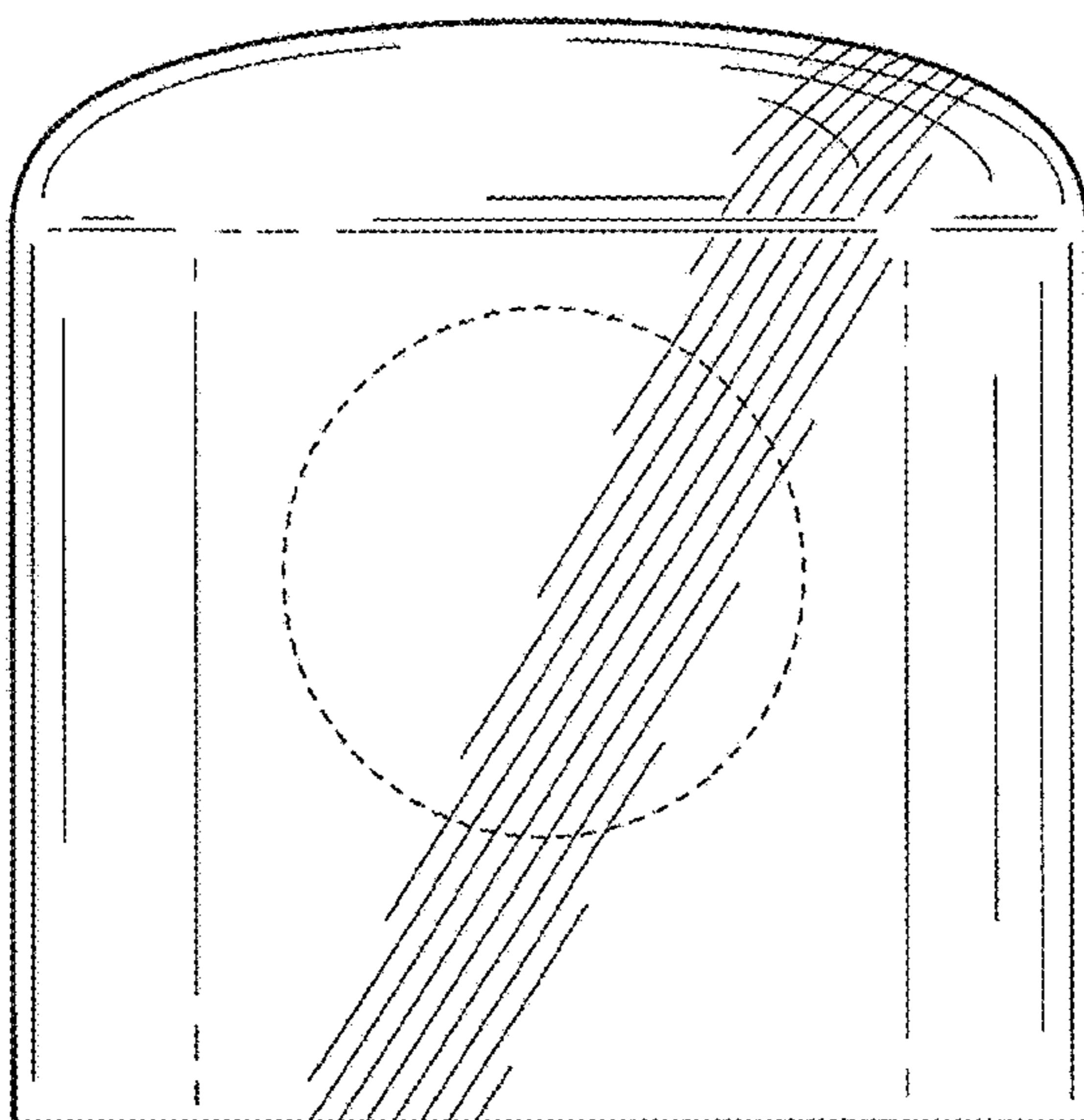


FIG. 3

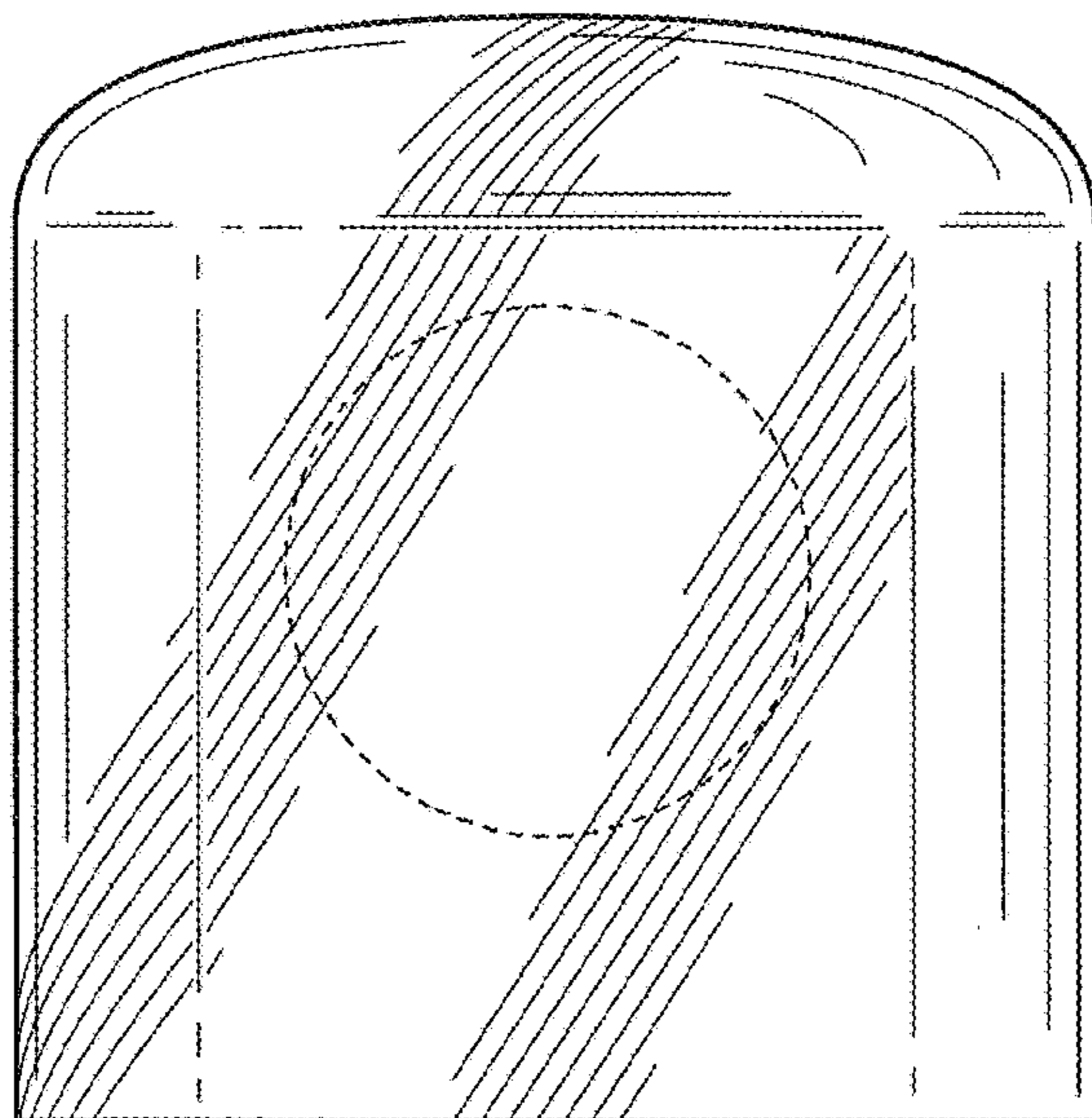


FIG. 4

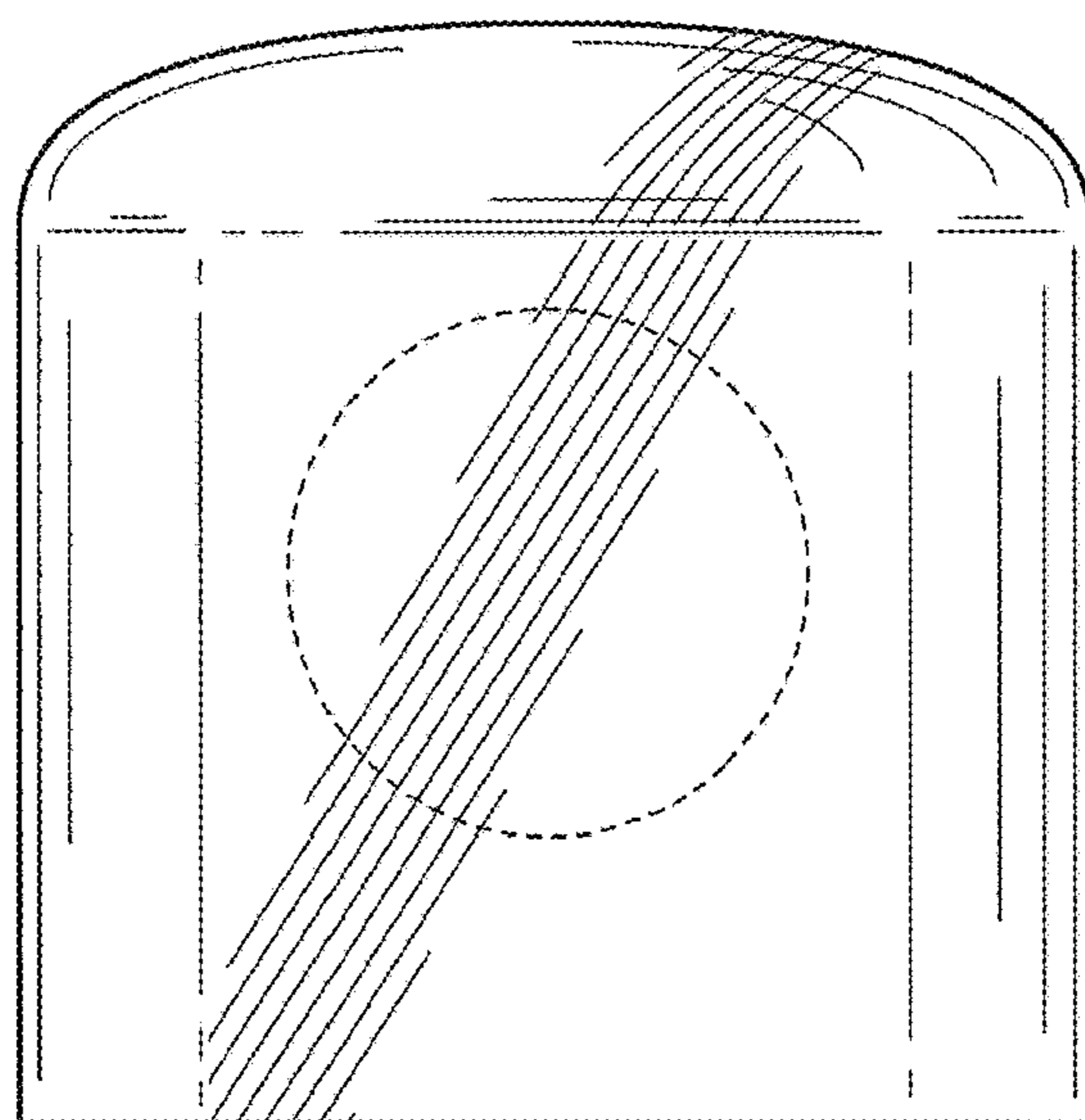


FIG. 5

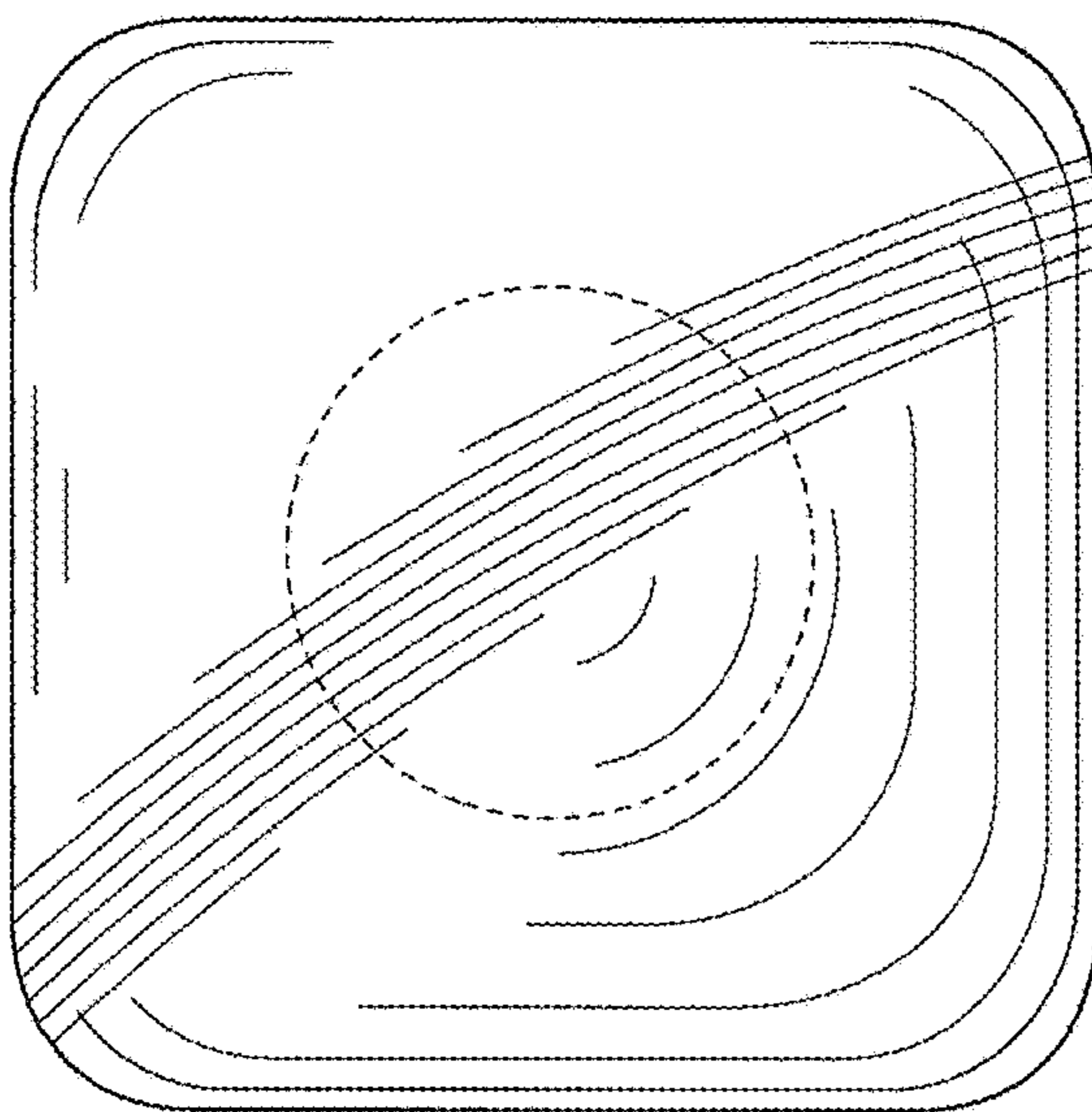


FIG. 6

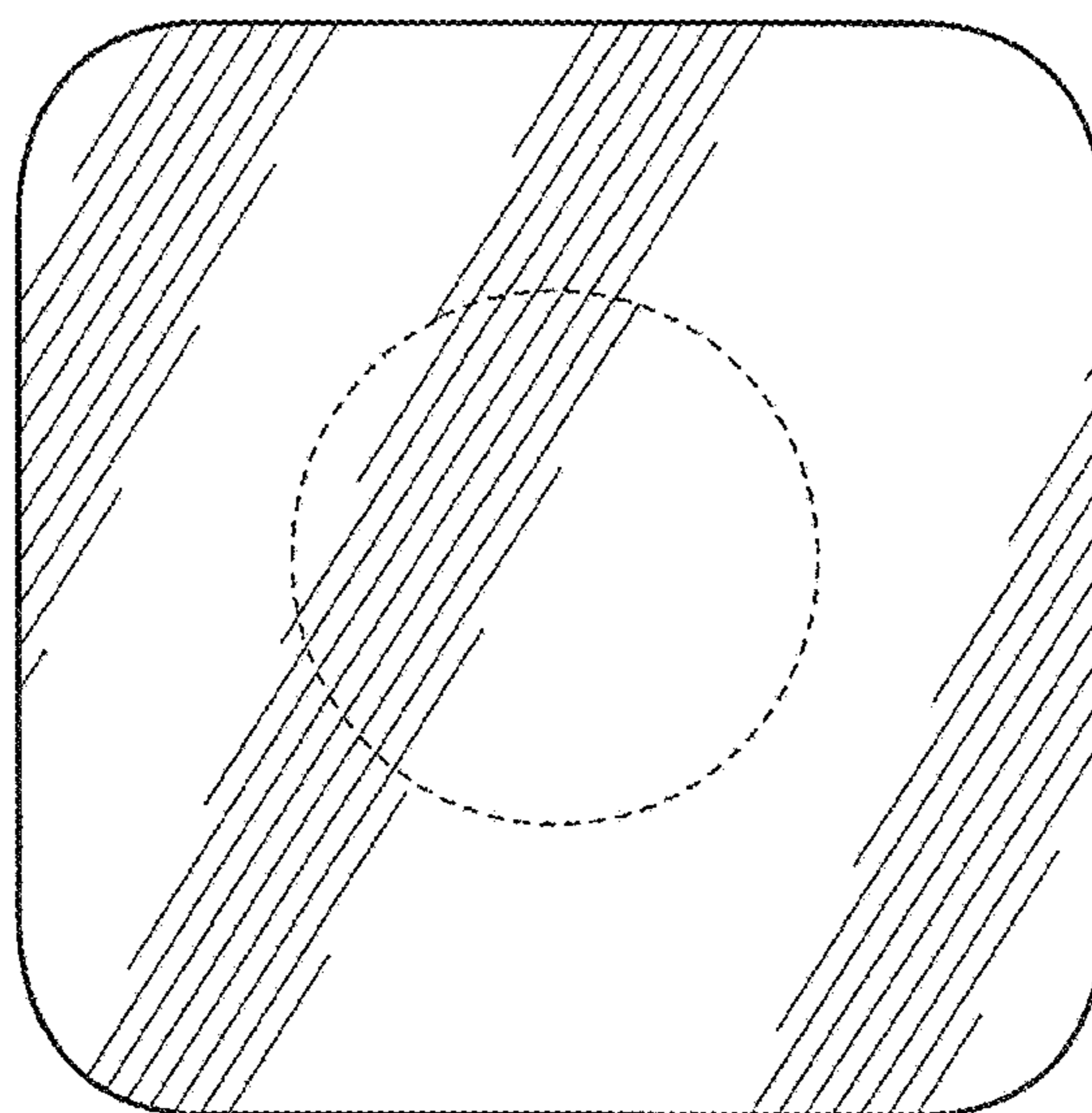


FIG. 7

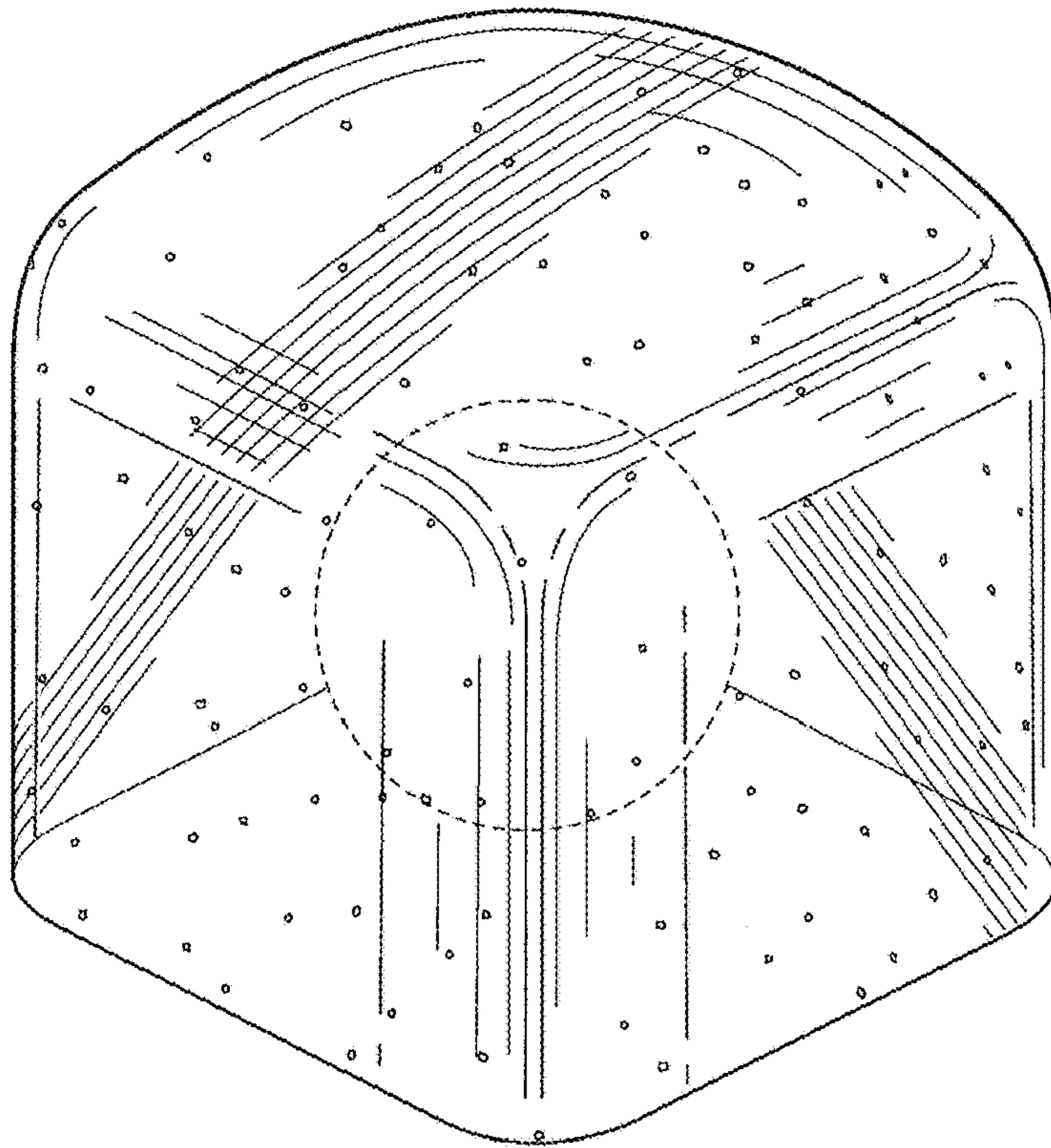


FIG. 8

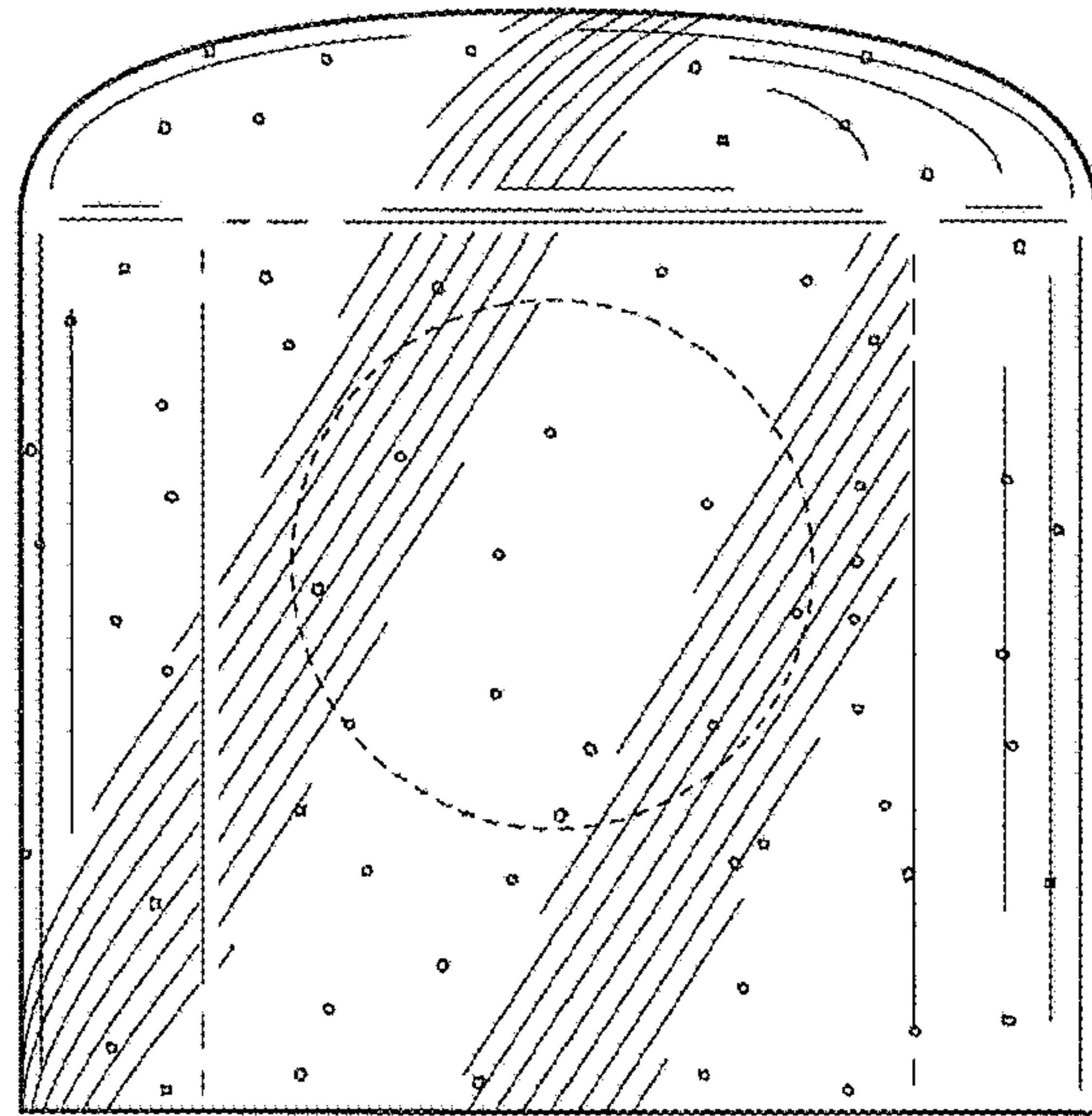


FIG. 9

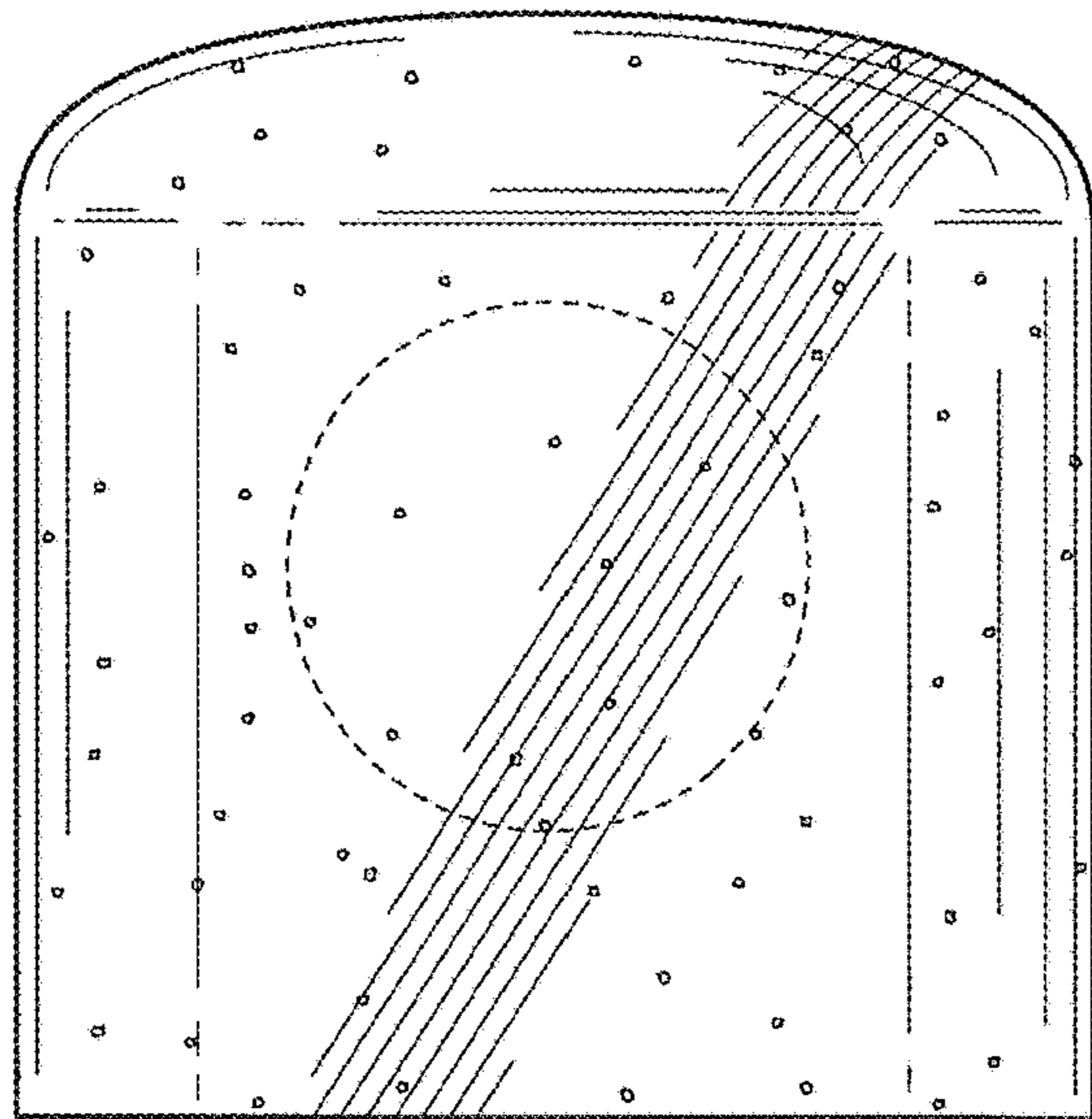


FIG. 10

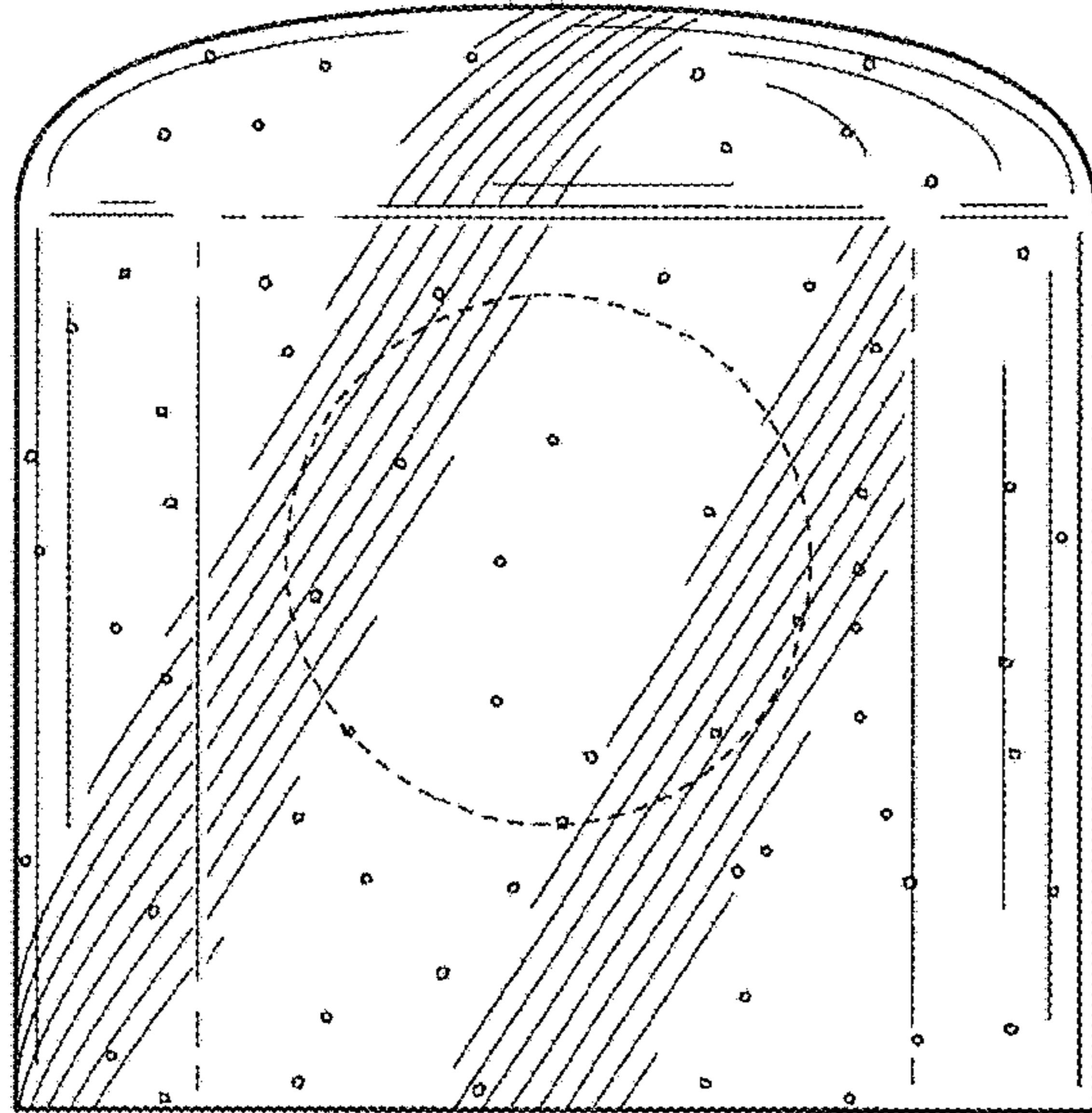


FIG. 11

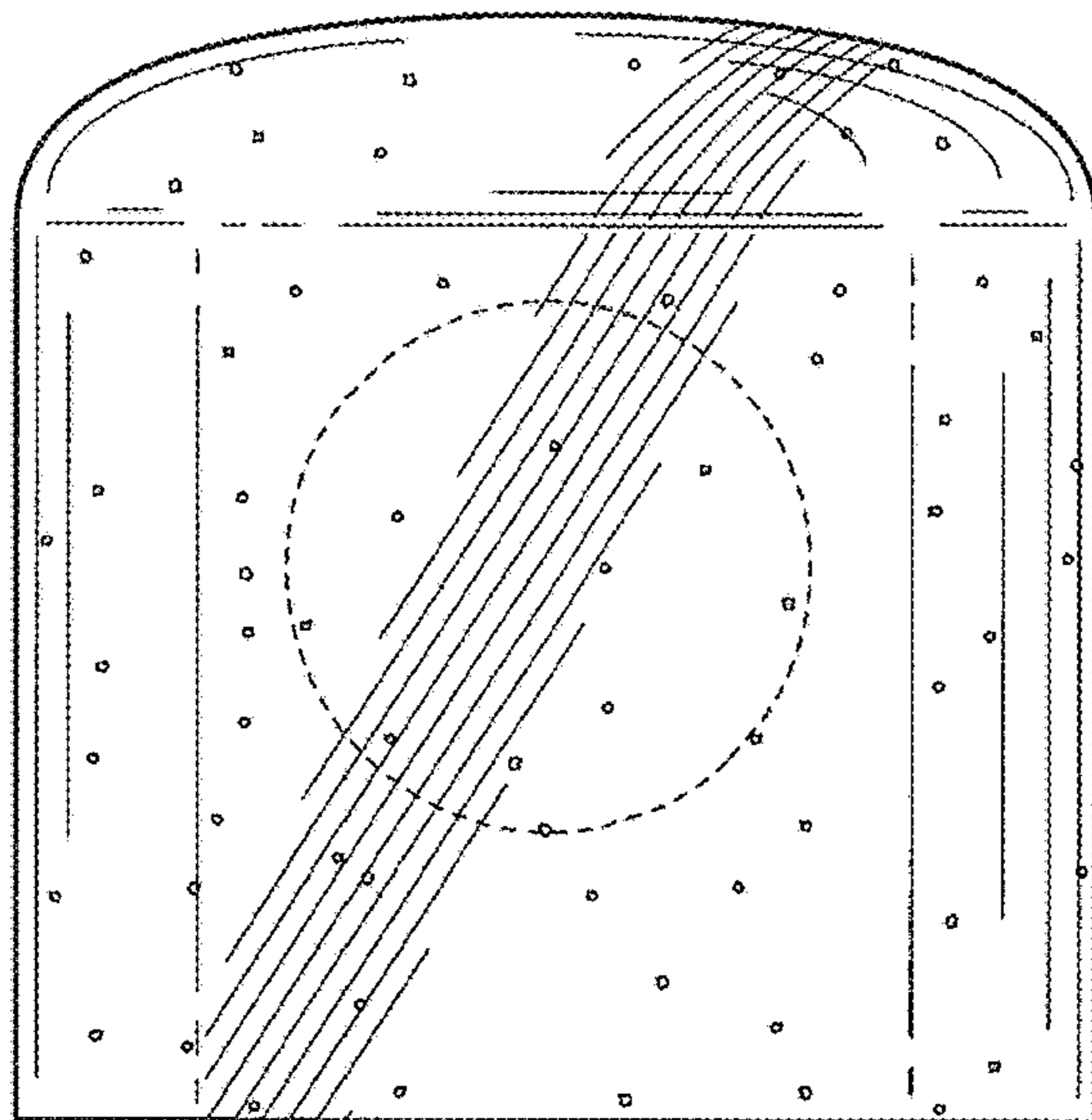


FIG. 12

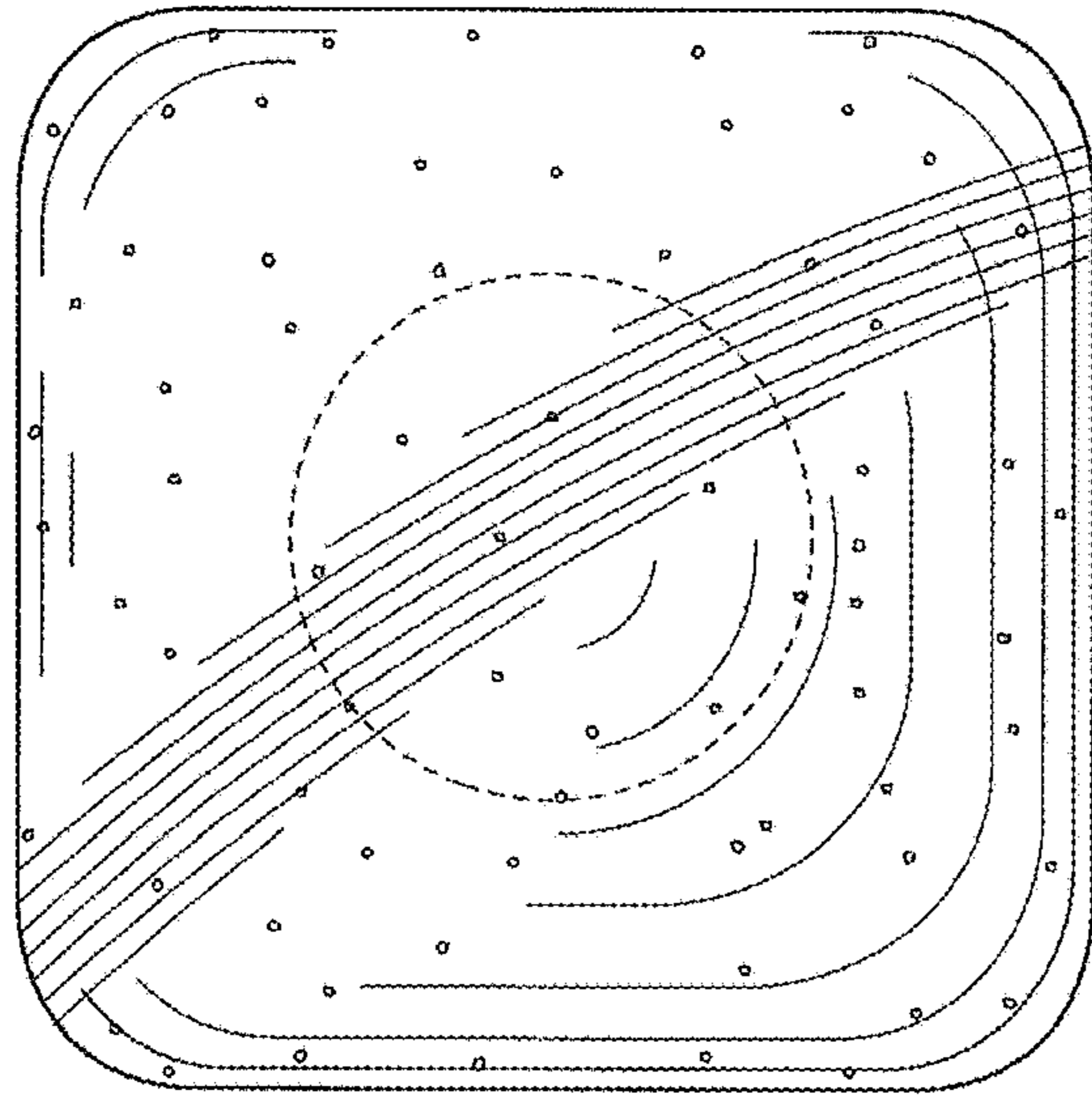


FIG. 13

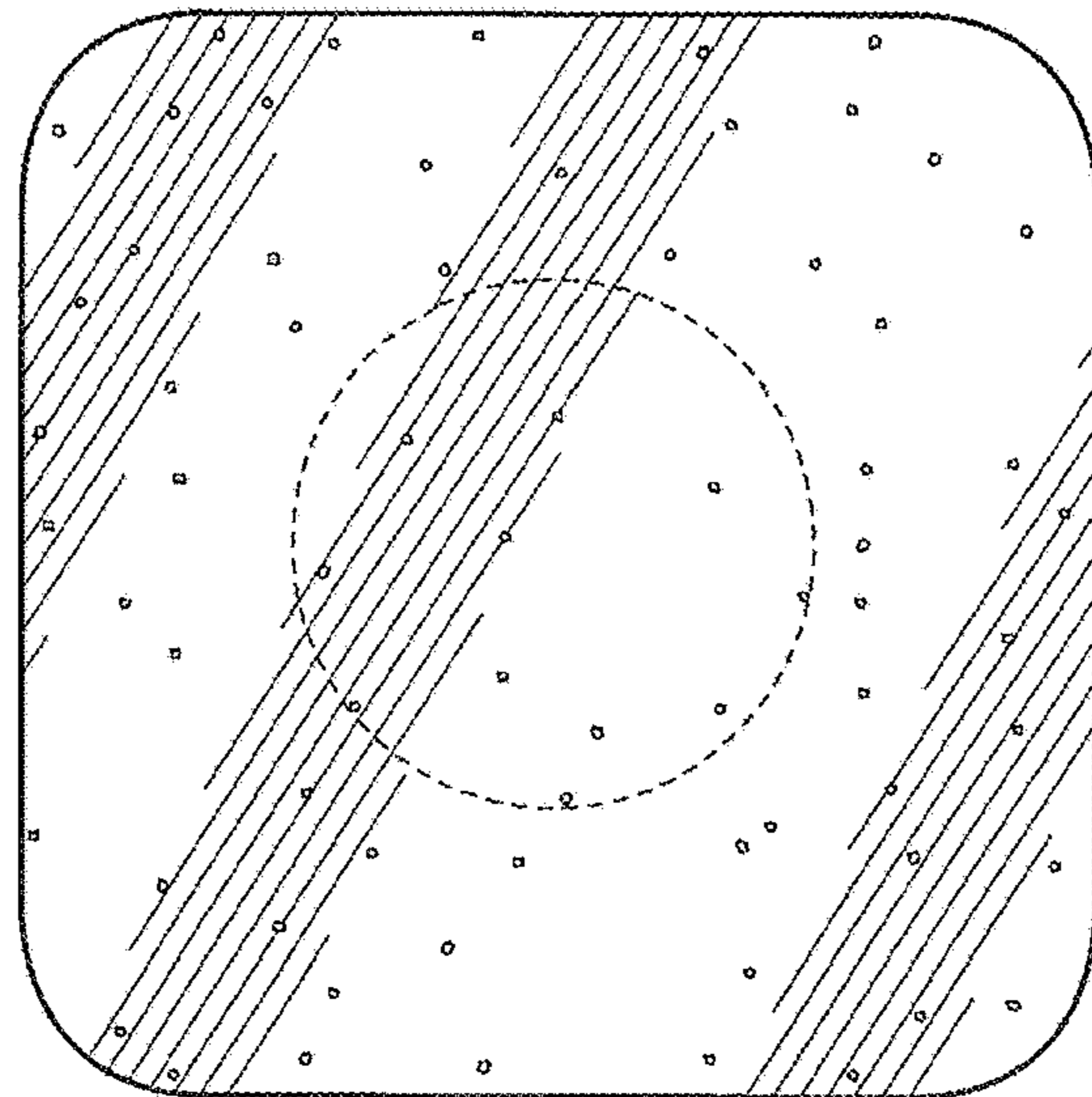


FIG. 14