

US00D846829S

(12) **United States Design Patent**
Frazier

(10) **Patent No.:** **US D846,829 S**
(45) **Date of Patent:** **** Apr. 23, 2019**

(54) **PLATFORM FOR STACKING AN OBJECT ON TOP OF A BULK BIN OR OPEN ENDED BOX**

FOREIGN PATENT DOCUMENTS

DE 202007011002 U1 12/2007
EP 0034464 A1 8/1981

(Continued)

(71) Applicant: **Stay-Rite Solutions LLC**, Cartersville, GA (US)

(72) Inventor: **Clayton Anthony Frazier**, Rydal, GA (US)

(73) Assignee: **STAY-RITE SOLUTIONS LLC**, Rydal, GA (US)

(**) Term: **15 Years**

(21) Appl. No.: **29/587,419**

(22) Filed: **Dec. 13, 2016**

(51) **LOC (11) Cl.** **09-08**

(52) **U.S. Cl.**
USPC **D34/38; D34/35**

(58) **Field of Classification Search**
USPC D34/38, 35; 108/51.3, 56.1; 206/386
CPC B65D 21/0224; B65D 19/0004; B65D 19/44; B65D 2519/00965
See application file for complete search history.

(56) **References Cited**

U.S. PATENT DOCUMENTS

2,203,625 A	6/1940	Friedel
2,738,564 A	3/1956	Guinane
3,480,178 A	11/1969	Morgan
3,651,977 A	3/1972	Morgan
3,760,465 A	9/1973	Brennan
D238,862 S	2/1976	Hewson
3,944,073 A	3/1976	Downing
4,089,417 A	5/1978	Osborne
4,126,265 A	11/1978	Holmes
4,210,274 A	7/1980	Leonard
4,449,662 A	5/1984	Okamura et al.
4,509,433 A	4/1985	Farr

(Continued)

OTHER PUBLICATIONS

“Corner Clips Improve Corrugated-Box Handling,” Metal Forming Magazine, metalforming magazine.com, 2008, <http://www.metalformingmagazine.com/magazine/article.asp?aid=4943>, 2 pages.

(Continued)

Primary Examiner — Cynthia Ramirez

(74) *Attorney, Agent, or Firm* — Klintworth & Rozenblat IP LLP

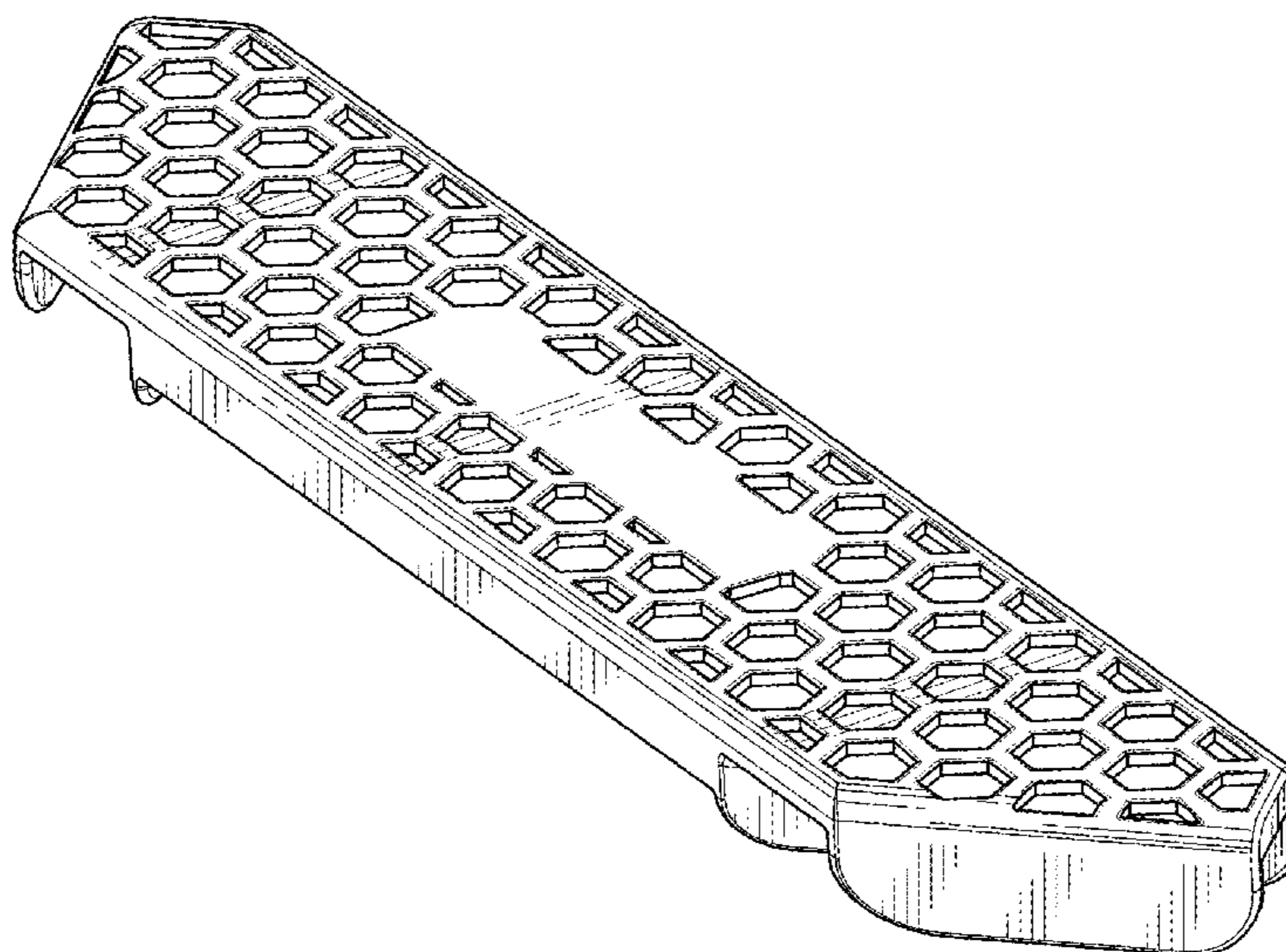
(57) **CLAIM**

The ornamental design for a platform for stacking an object on top of a bulk bin or open ended box, as shown and described.

DESCRIPTION

FIG. 1 is a top perspective view of a platform for stacking an object on top of a bulk bin or open ended box showing my new design;
FIG. 2 is a front elevation view of the platform for stacking an object on top of a bulk bin or open ended box;
FIG. 3 is a rear elevation view of the platform for stacking an object on top of a bulk bin or open ended box;
FIG. 4 is a right side elevation view of the platform for stacking an object on top of a bulk bin or open ended box;
FIG. 5 is a left side elevation view of the platform for stacking an object on top of a bulk bin or open ended box;
FIG. 6 is a top plan view of the platform for stacking an object on top of a bulk bin or open ended box; and,
FIG. 7 is a bottom plan view of the platform for stacking an object on top of a bulk bin or open ended box.

1 Claim, 3 Drawing Sheets



(56)

References Cited

U.S. PATENT DOCUMENTS

4,619,365 A 10/1986 Kelly et al.
 4,779,751 A 10/1988 Munroe
 4,787,553 A 11/1988 Hoskins
 4,807,756 A 2/1989 Young et al.
 5,037,027 A 8/1991 Nichols
 D322,705 S 12/1991 Rasmussen
 5,178,275 A 1/1993 Fitzgerald et al.
 5,295,632 A 3/1994 Zink et al.
 D347,509 S 5/1994 Junaedi
 5,337,950 A 8/1994 Bower
 5,431,336 A 7/1995 Clee
 5,531,326 A 7/1996 Hummel et al.
 5,732,434 A 3/1998 McCarty
 6,305,599 B2 10/2001 Tsubaki et al.
 D455,266 S 4/2002 Bradford
 6,368,694 B1 4/2002 Marsh et al.
 D463,894 S 10/2002 Ghafourian et al.
 6,564,993 B1 5/2003 Wassink
 6,926,144 B1 8/2005 Schnaars, Jr. et al.
 D539,004 S 3/2007 Giampavolo
 D547,024 S 7/2007 Brefka et al.
 7,244,004 B2 7/2007 Hightower
 D620,673 S 7/2010 Giampavolo et al.
 7,963,394 B2 6/2011 Facey et al.
 D648,094 S 11/2011 Medina
 D657,934 S 4/2012 Kessler et al.

8,333,297 B2 12/2012 McAlpine et al.
 D681,903 S 5/2013 Randall et al.
 D706,014 S 5/2014 Ksiezakowski
 9,079,707 B2 7/2015 Winterberg
 D773,299 S 12/2016 Gray et al.
 D774,271 S 12/2016 Marti
 D813,489 S * 3/2018 Frazier D34/38
 2002/0179701 A1 12/2002 Bazany et al.
 2004/0025757 A1 2/2004 Fan
 2017/0129646 A1 5/2017 Frazier

FOREIGN PATENT DOCUMENTS

EP 0665166 A1 2/1995
 EP 1207113 A1 5/2002
 EP 1886928 A1 2/2008
 WO 00/41938 A1 7/2000
 WO 02/072437 A1 9/2002

OTHER PUBLICATIONS

“K-Bins Flat Pack Polypropylene Stacking Boxes Grey,” Big Dug®, bigdug.co.uk, © 2015, accessed: Jul. 2015. <http://www.bigdug.co.uk/storage-boxes-containers-c363/k-bins-c367/kbins-flat-packpolypropylene-stacking-boxes-grey-pp14828>, 2 pages.
 International Search Report and Written Opinion for PCT/US16/60994 dated Jan. 25, 2017, 11 pages.

* cited by examiner

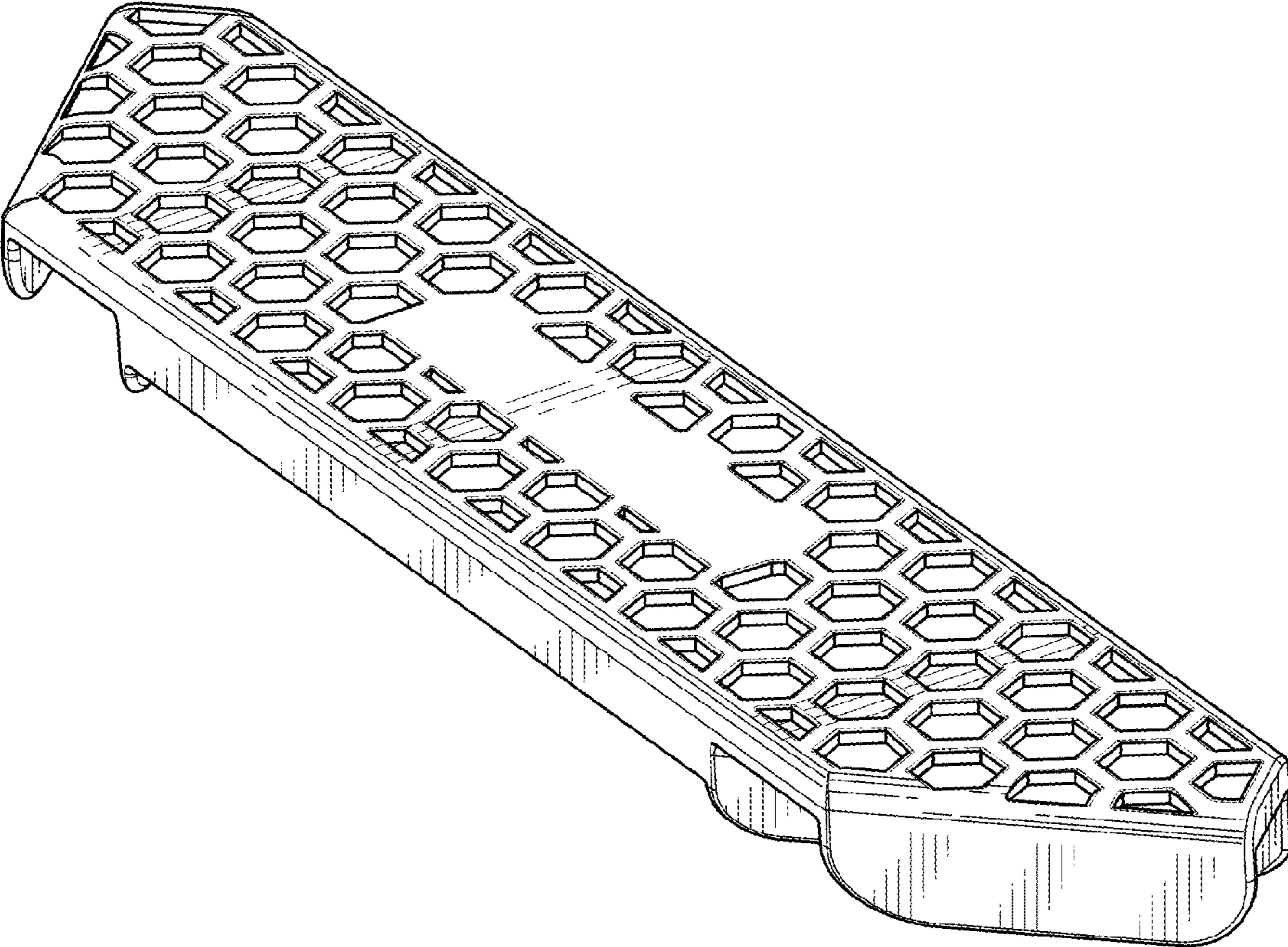


FIG. 1



FIG. 2

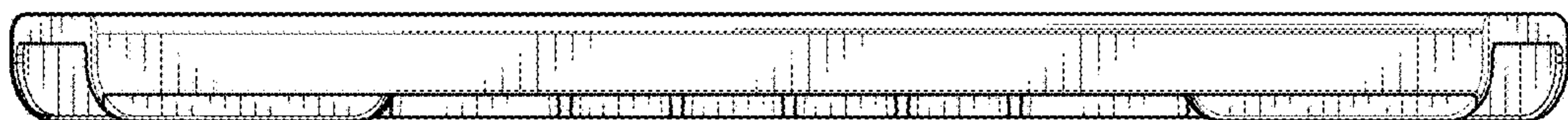


FIG. 3



FIG. 4

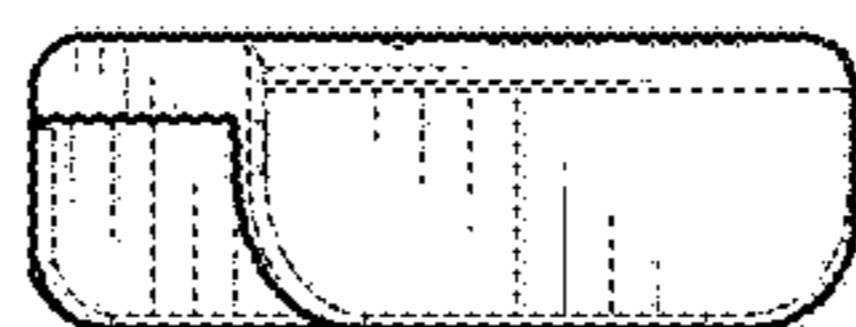


FIG. 5

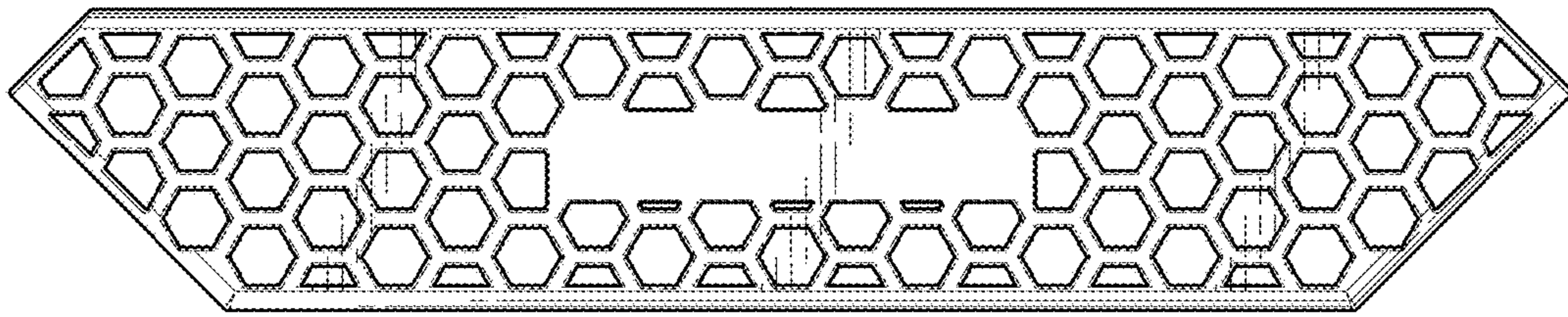


FIG. 6

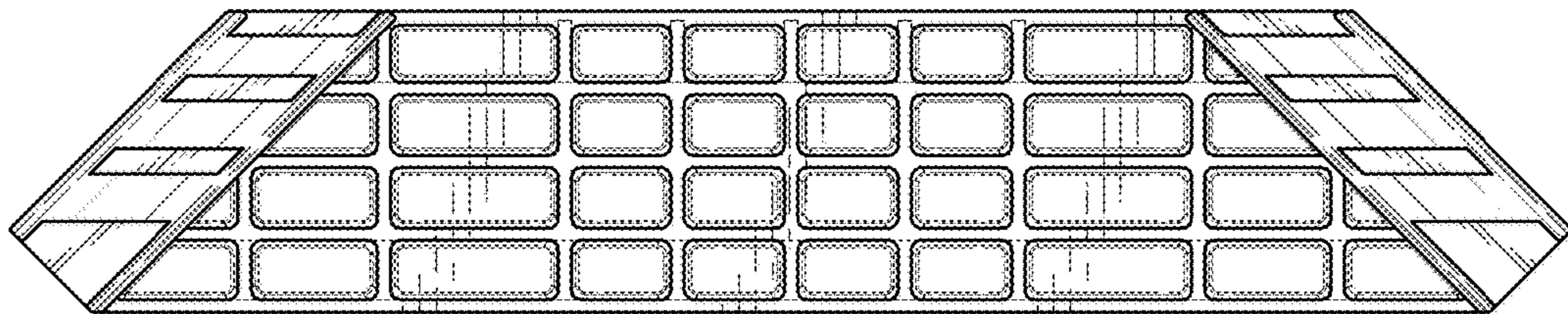


FIG. 7