



US00D846827S

(12) **United States Design Patent** (10) **Patent No.:** **US D846,827 S**
Lee (45) **Date of Patent:** **** Apr. 23, 2019**

(54) **HOIST**
(71) Applicants: **TRACEN PRECISION CORP**, New Taipei (TW); **Yu-Jen Lee**, New Taipei (TW)
(72) Inventor: **Yu-Jen Lee**, New Taipei (TW)
(73) Assignees: **TRACEN PRECISION CORP**, New Taipei (TW); **Yu-Jen Lee**, New Taipei (TW)
(**) Term: **15 Years**
(21) Appl. No.: **29/619,948**
(22) Filed: **Oct. 3, 2017**
(51) **LOC (11) Cl.** **12-05**
(52) **U.S. Cl.**
USPC **D34/33**
(58) **Field of Classification Search**
USPC D34/28, 29, 33, 34, 35; 198/498, 835, 198/611, 829; 254/346, 356, 344, 352, 254/342, 362, 267, 266; 200/298
CPC B66D 2700/023; B66D 3/02; B66D 3/18; B66D 1/00; B66D 5/02
See application file for complete search history.

D411,364 S * 6/1999 Sasaki D34/33
D439,722 S * 3/2001 Huang D34/33
D524,508 S * 7/2006 Lichtenvort D34/33
D540,003 S * 4/2007 Hagihara D34/33
2012/0187356 A1* 7/2012 Lawson B66D 3/26
254/266
2015/0090946 A1* 4/2015 Schwaiger B66D 3/26
254/362

* cited by examiner
Primary Examiner — Cynthia Ramirez
Assistant Examiner — Gino Colan
(74) *Attorney, Agent, or Firm* — Chun-Ming Shih

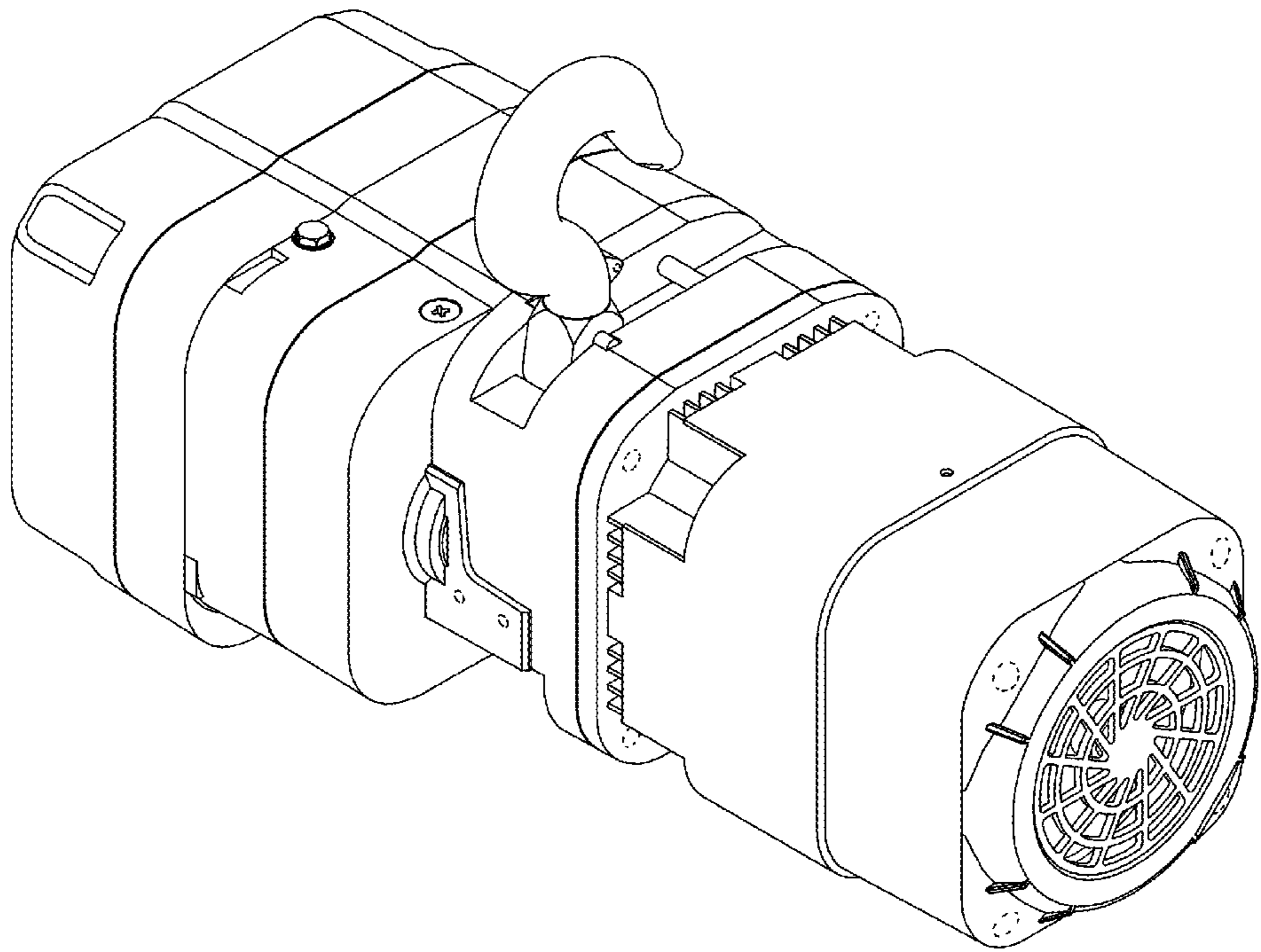
(57) **CLAIM**
The ornamental design for a hoist, as show and described.

DESCRIPTION

FIG. 1 is a perspective view of a hoist according to the present invention;
FIG. 2 is a front elevation view of FIG. 1;
FIG. 3 is a rear elevation view FIG. 1;
FIG. 4 is a left side view of FIG. 1;
FIG. 5 is a right side view of FIG. 1;
FIG. 6 is a top plan view of FIG. 1;
FIG. 7 is a bottom view of FIG. 1; and,
FIG. 8 is a reference view thereof when in use.
The broken lines show portions of a hoist that form no part of the claimed design.
The broken lines shown in FIG. 8 are for the purpose of illustrating environment that form no part of the claimed design.

(56) **References Cited**
U.S. PATENT DOCUMENTS
4,789,135 A * 12/1988 Watanabe B66C 13/56
200/298
D309,969 S * 8/1990 Tamura D34/28

1 Claim, 8 Drawing Sheets



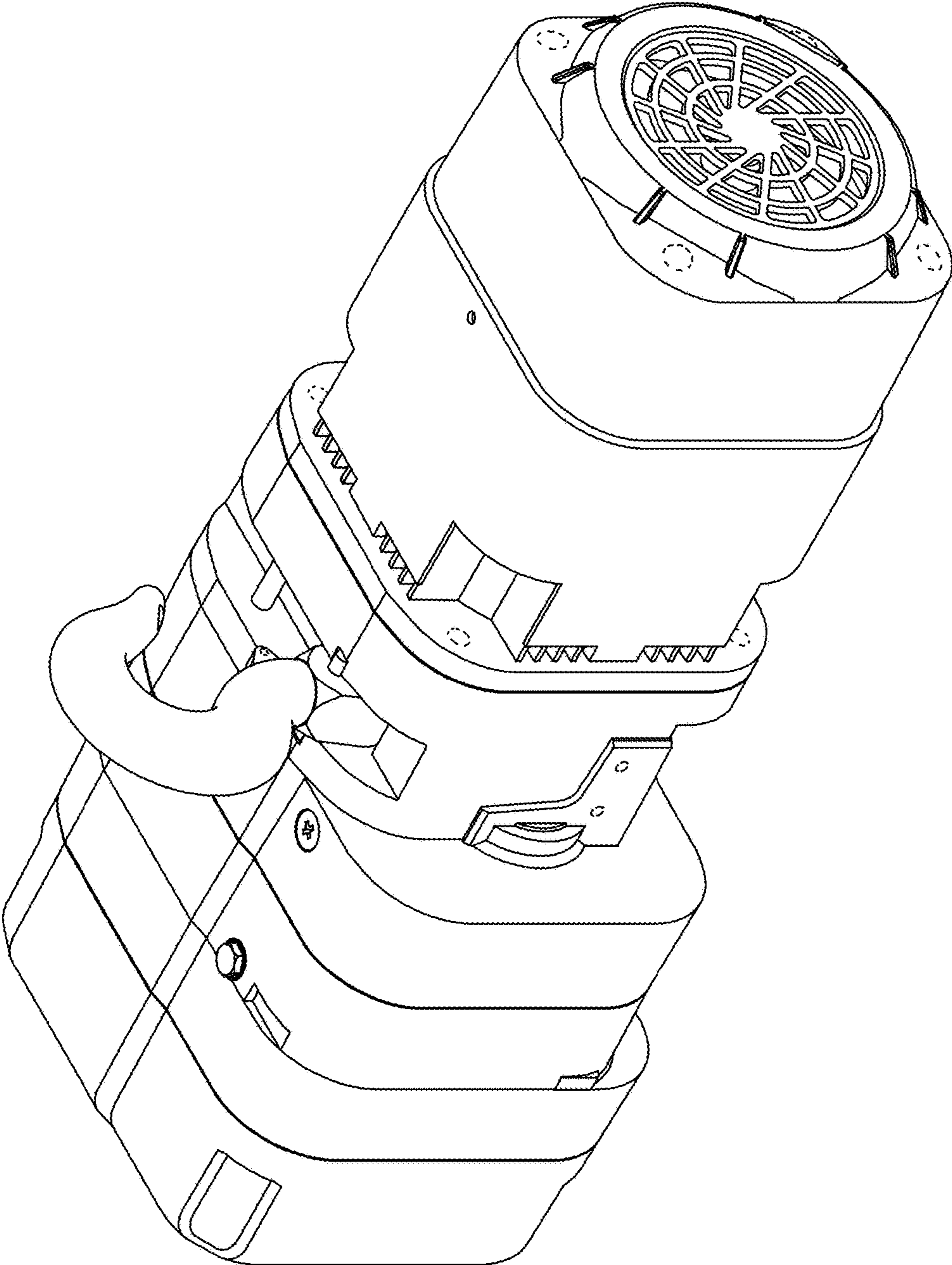


FIG. 1

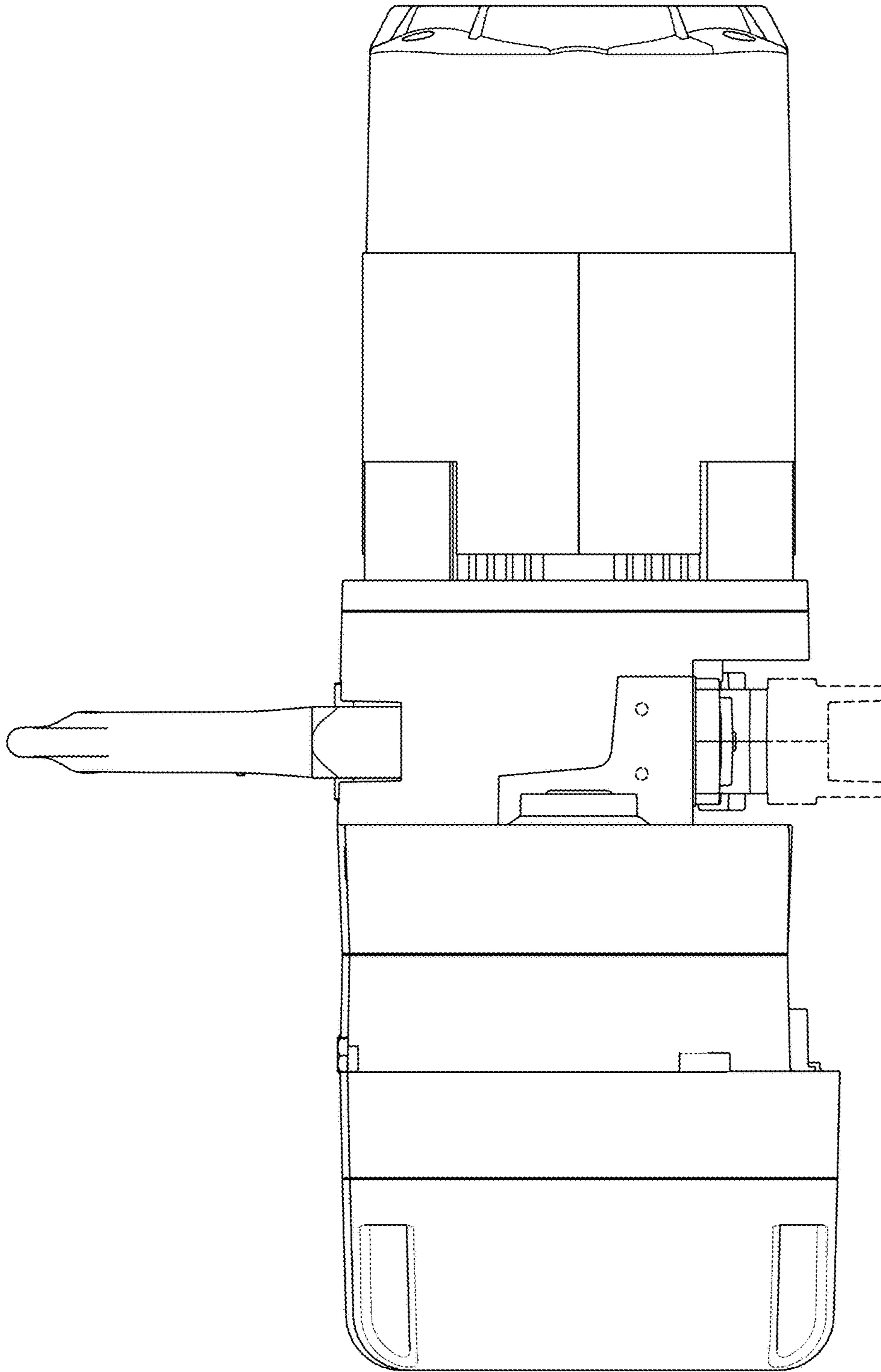


FIG. 2

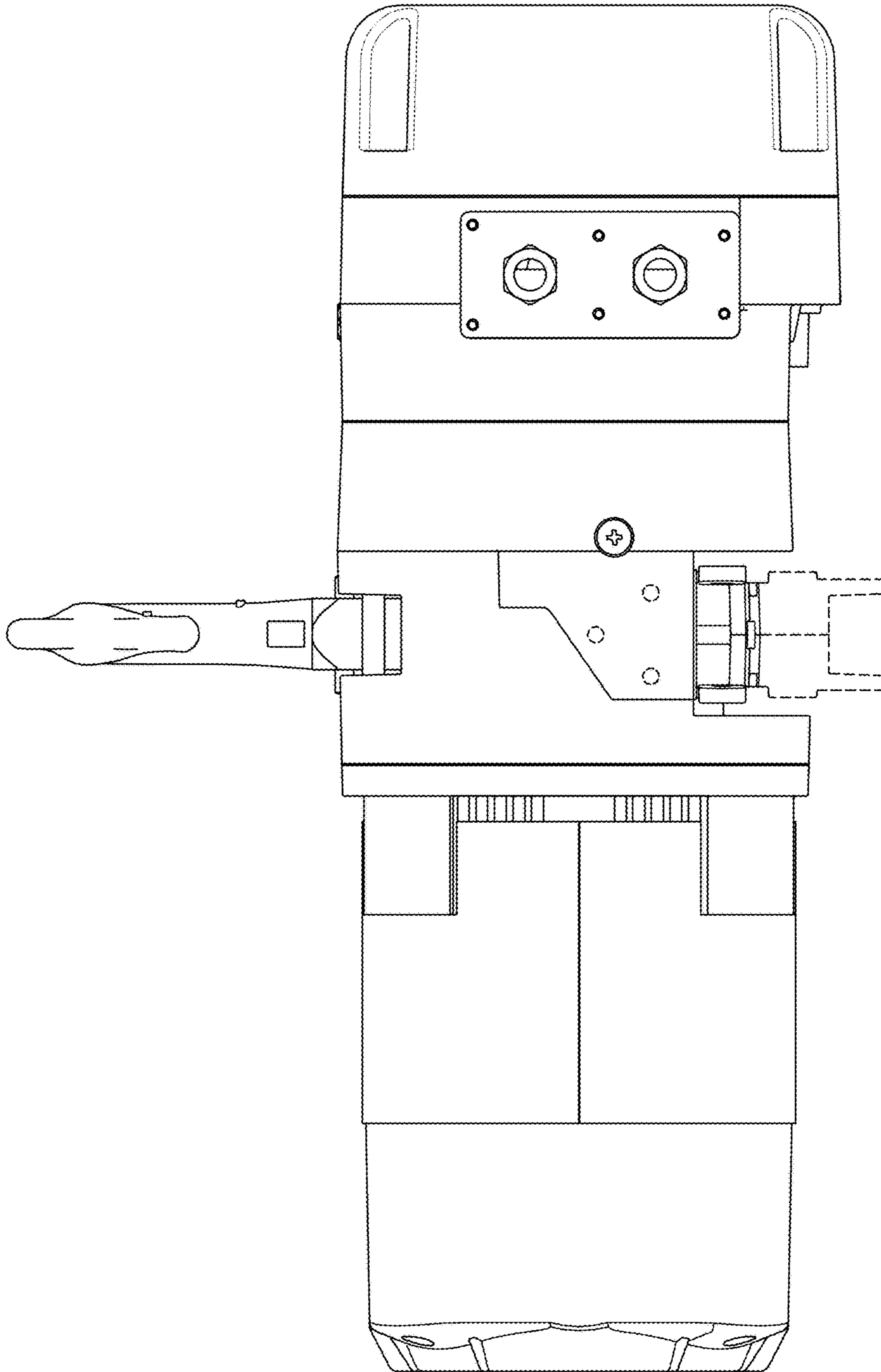


FIG. 3

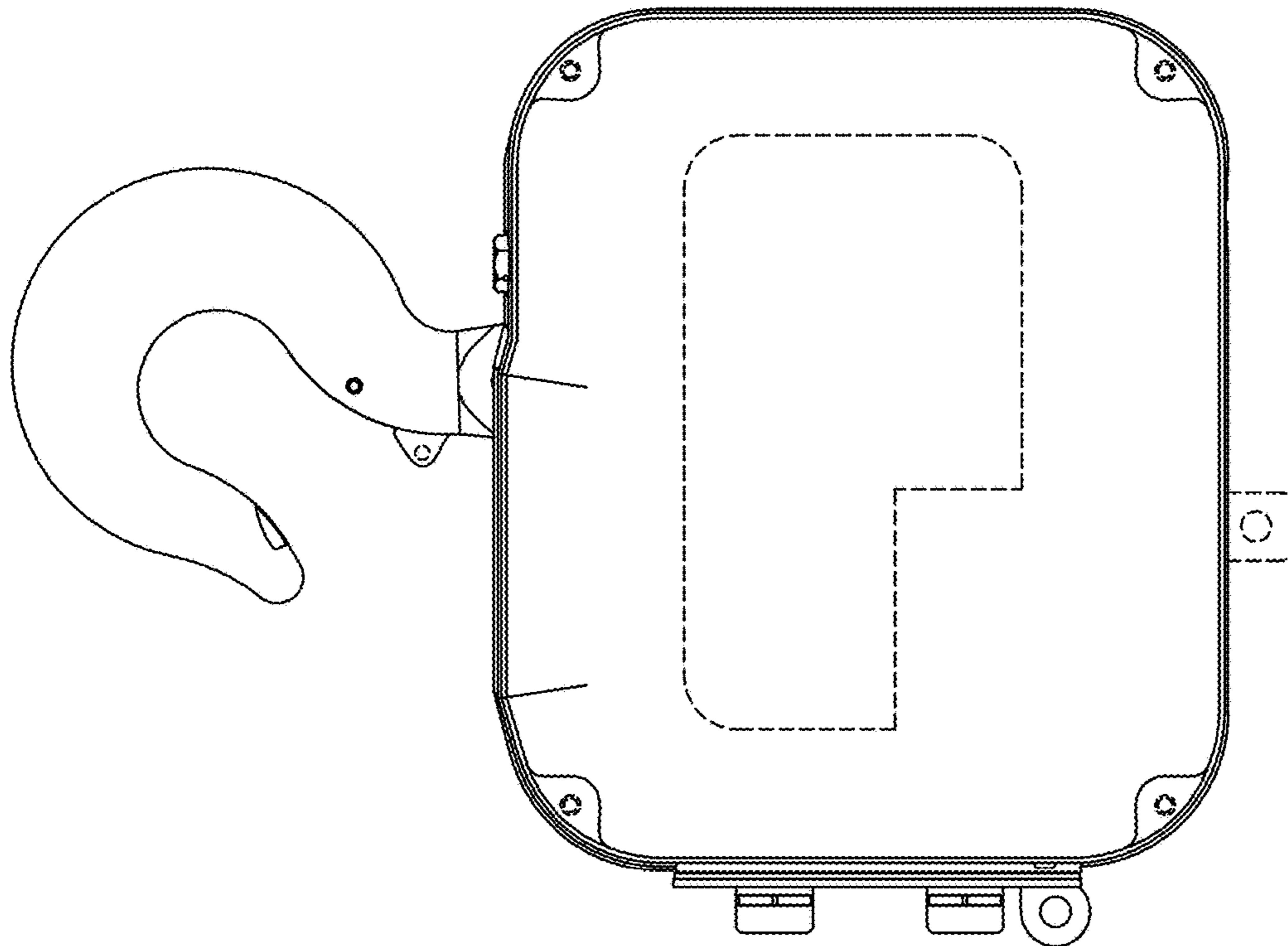


FIG. 4

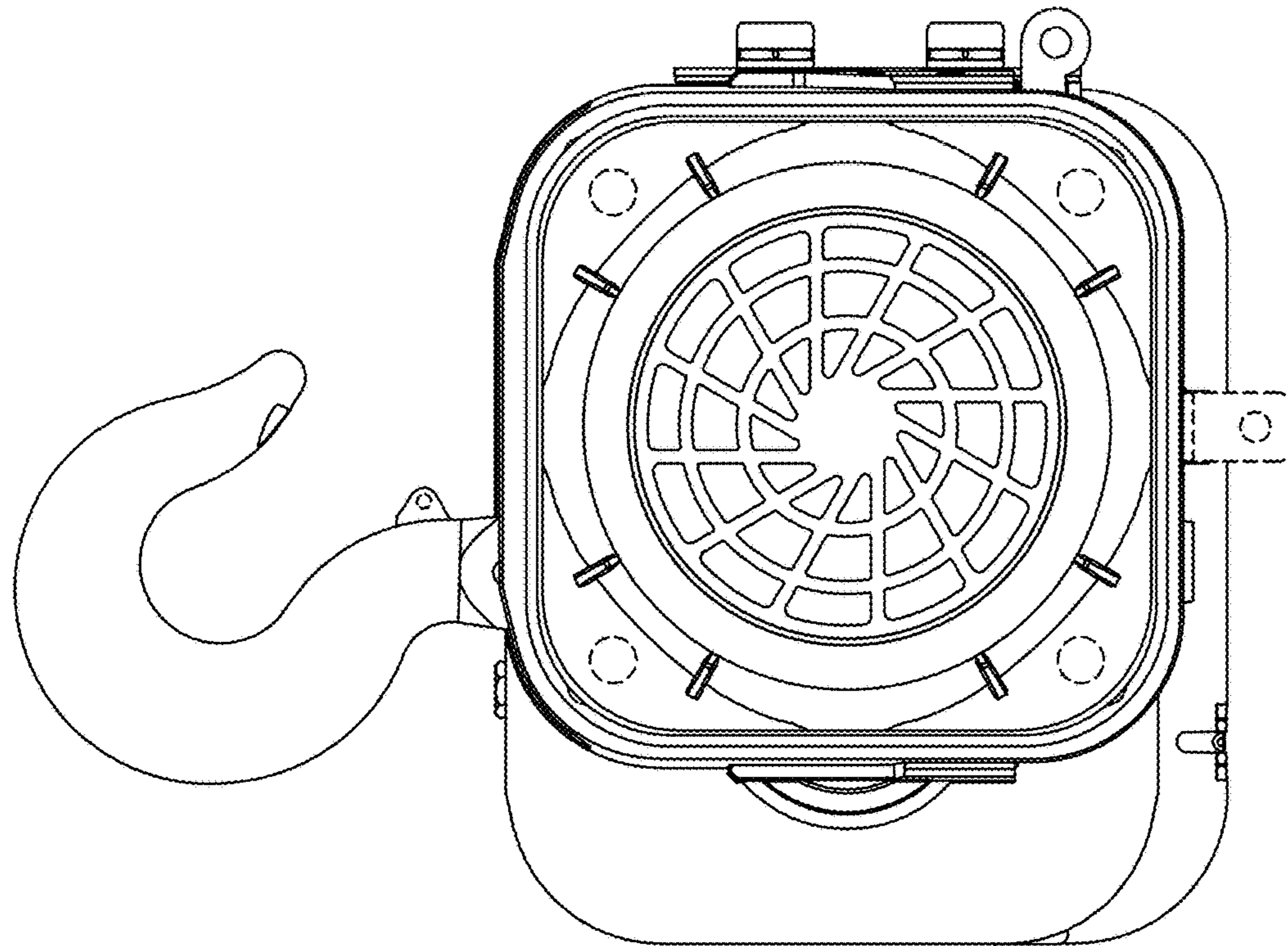


FIG. 5

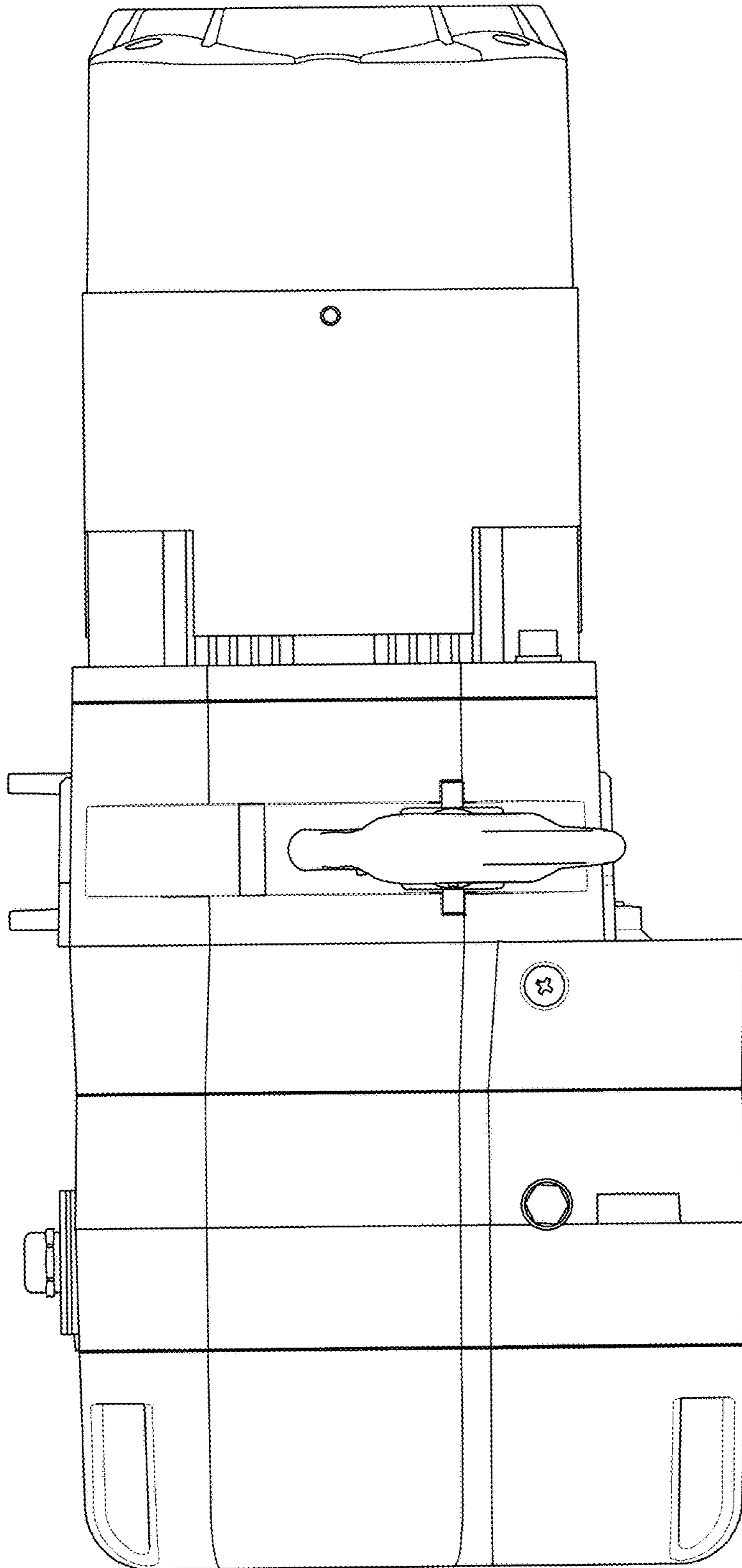


FIG. 6

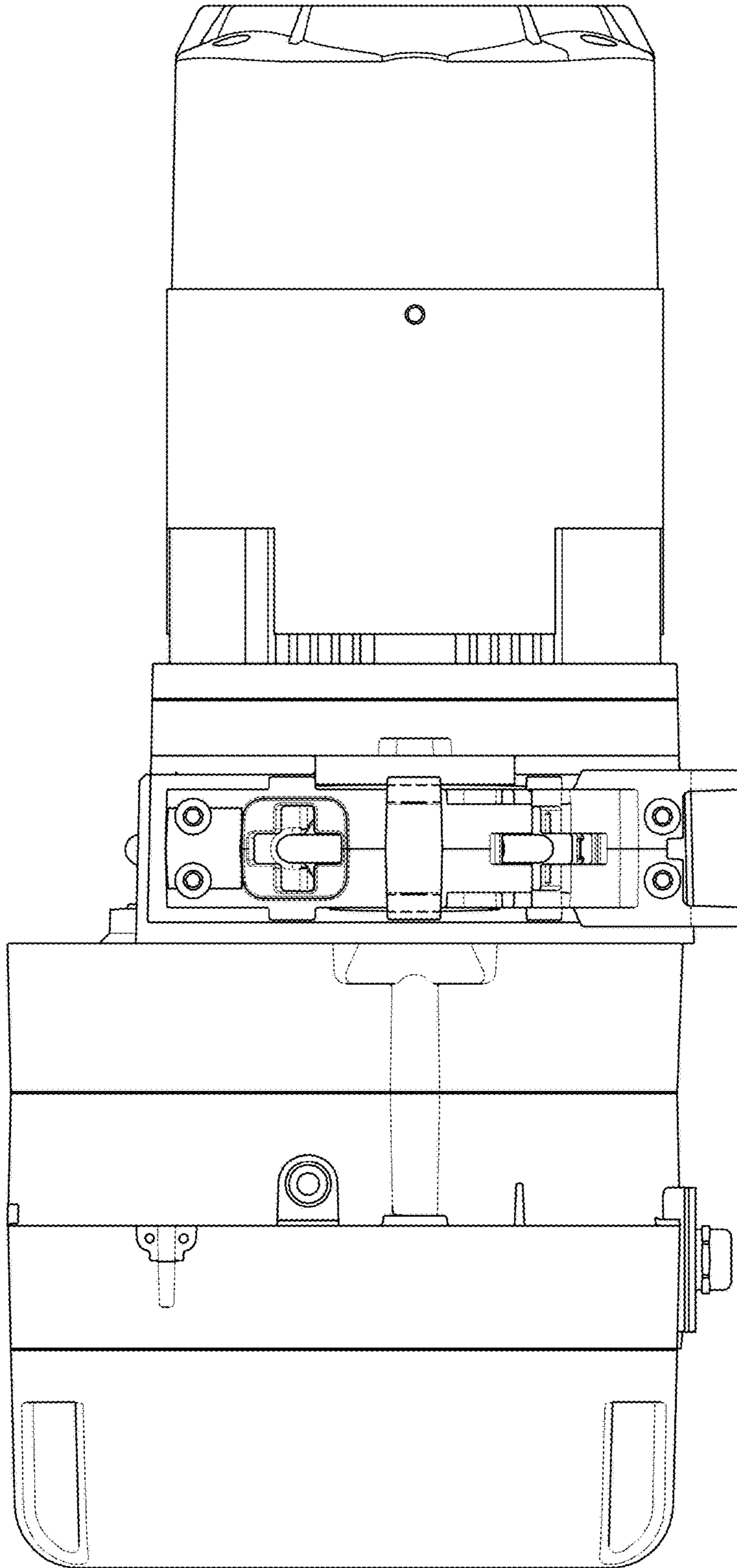


FIG. 7

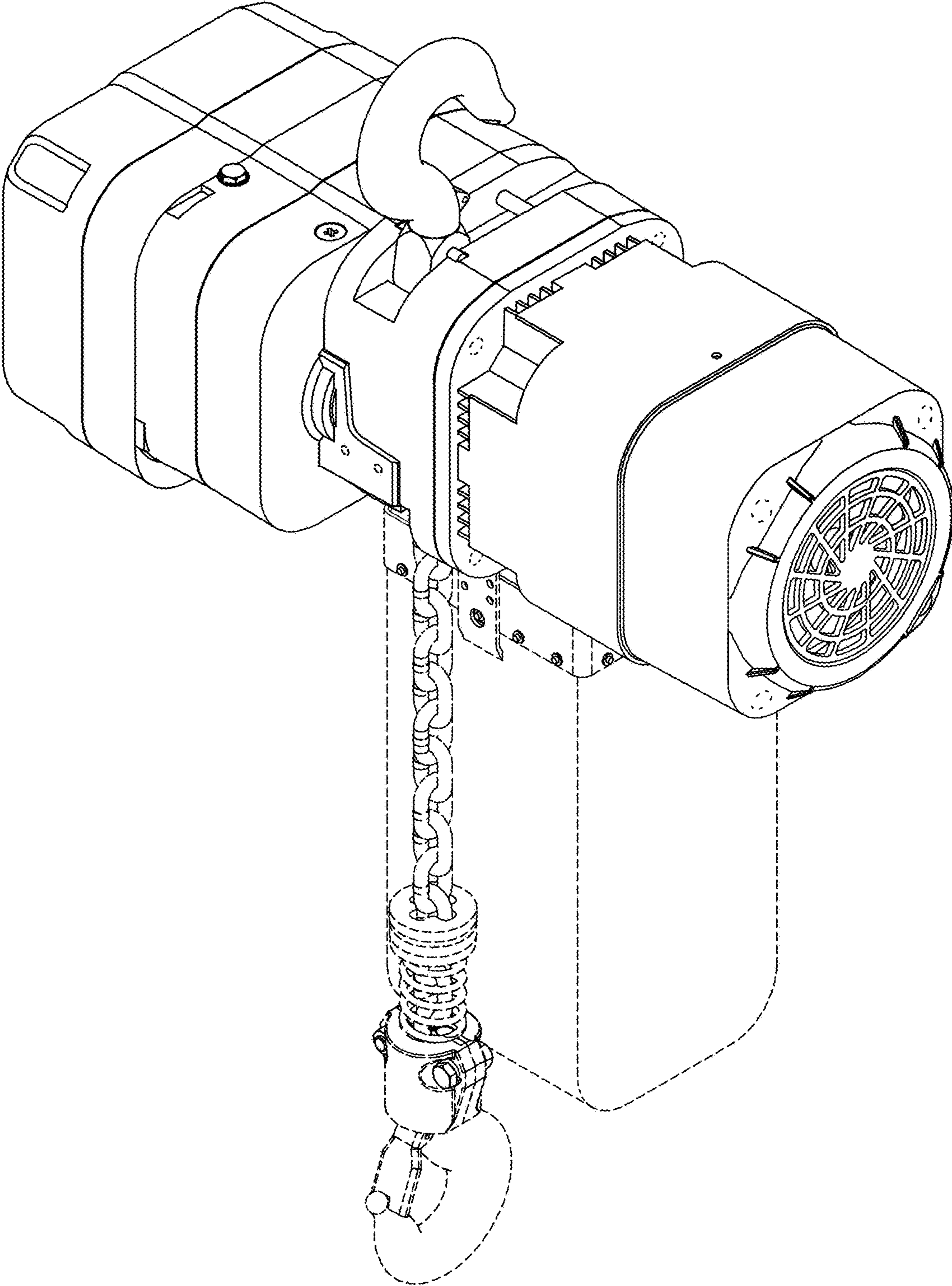


FIG. 8