



US00D846826S

(12) **United States Design Patent**
Markoski et al.

(10) **Patent No.:** **US D846,826 S**

(45) **Date of Patent:** **** Apr. 23, 2019**

(54) **GENERATOR TRANSPORT ARM WITH AN ADJUSTABLE HANDLE**

(71) Applicant: **INI Power Systems, Inc.**, Morrisville, NC (US)

(72) Inventors: **Larry J. Markoski**, Raleigh, NC (US); **Timothy C. Simmons**, Durham, NC (US); **Daniel L. Furgurson**, Raleigh, NC (US)

(73) Assignee: **INI Power Systems, Inc.**, Morrisville, NC (US)

(**) Term: **15 Years**

(21) Appl. No.: **29/581,380**

(22) Filed: **Oct. 18, 2016**

(51) **LOC (11) Cl.** **12-02**

(52) **U.S. Cl.**
USPC **D34/27**

(58) **Field of Classification Search**
USPC D34/12-27; 280/79.7, 63, 47.131, 47.33
CPC . B62B 2202/42; B62B 2202/24; B62B 1/268;
B62B 5/0083; B62B 3/108
See application file for complete search history.

(56) **References Cited**

U.S. PATENT DOCUMENTS

D265,263 S * 6/1982 Fox D34/15
D270,772 S * 9/1983 Radencic D34/15
D318,355 S * 7/1991 Salvesen D12/501

D322,352 S * 12/1991 Hanson D34/12
5,318,316 A * 6/1994 Shurtleff B62B 1/268
269/133
D476,476 S * 7/2003 Hansen D3/204
D595,922 S * 7/2009 Walstrom D34/31
D642,351 S * 7/2011 Bozzo D34/24
D698,115 S * 1/2014 Plesh D34/24
D720,912 S * 1/2015 Bruch D34/23
2014/0015211 A1 * 1/2014 Whitefield B62B 1/268
280/79.7

* cited by examiner

Primary Examiner — Cynthia Ramirez

(74) *Attorney, Agent, or Firm* — Evan Law Group LLC

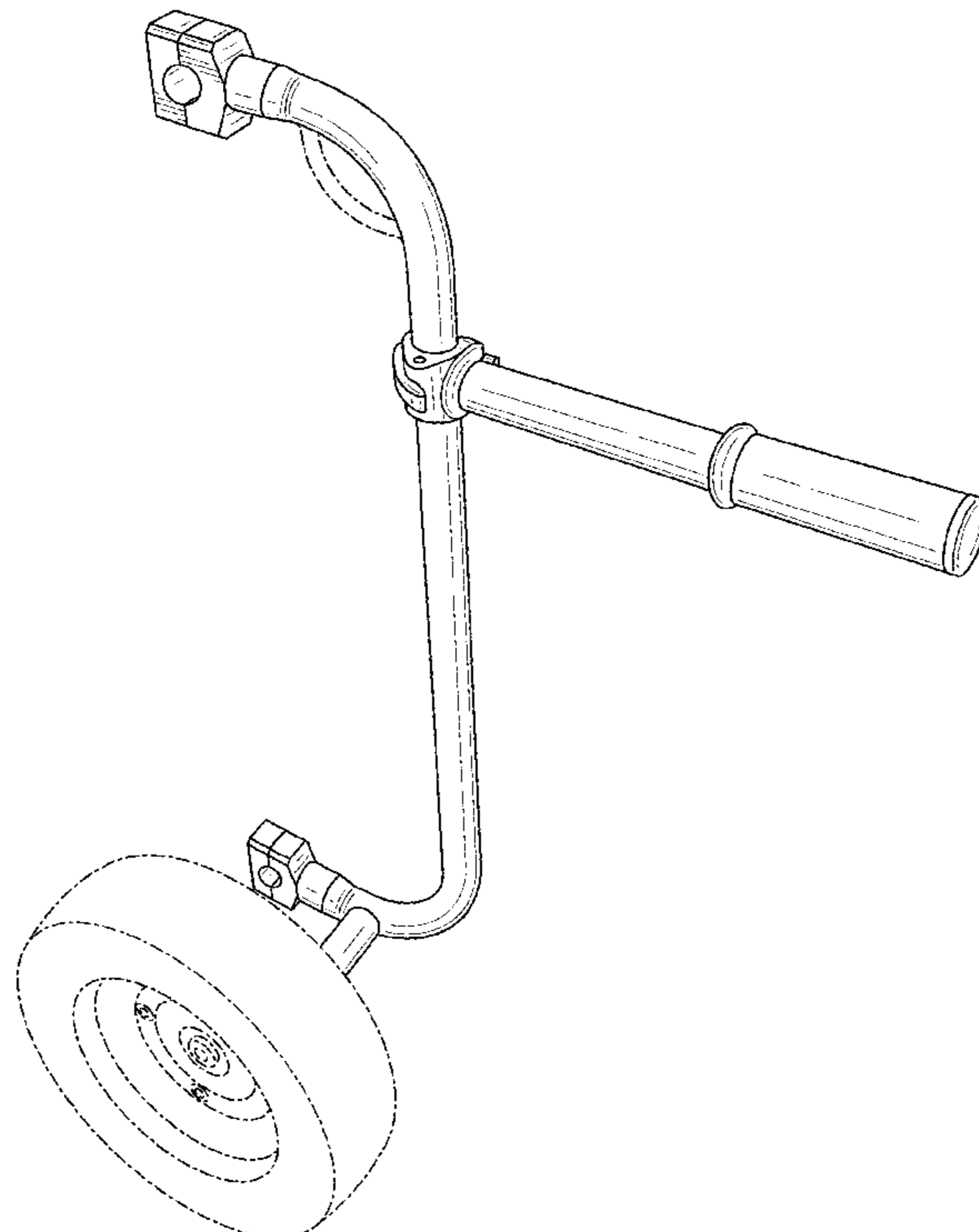
(57) **CLAIM**

The ornamental design for a generator transport arm with an adjustable handle, as shown and described.

DESCRIPTION

FIG. 1 is a front, top, and right side perspective view of a generator transport arm with an adjustable handle, showing our design;
FIG. 2 is a back, top, and left side perspective view thereof;
FIG. 3 is a front elevational view thereof;
FIG. 4 is a back elevational view thereof;
FIG. 5 is a right side elevational view thereof;
FIG. 6 is a left side elevational view thereof;
FIG. 7 is a top plan view thereof; and,
FIG. 8 is a bottom plan view thereof.
The broken lines in the figures show portions of the generator transport arm with an adjustable handle which form no part of the claimed design.

1 Claim, 8 Drawing Sheets



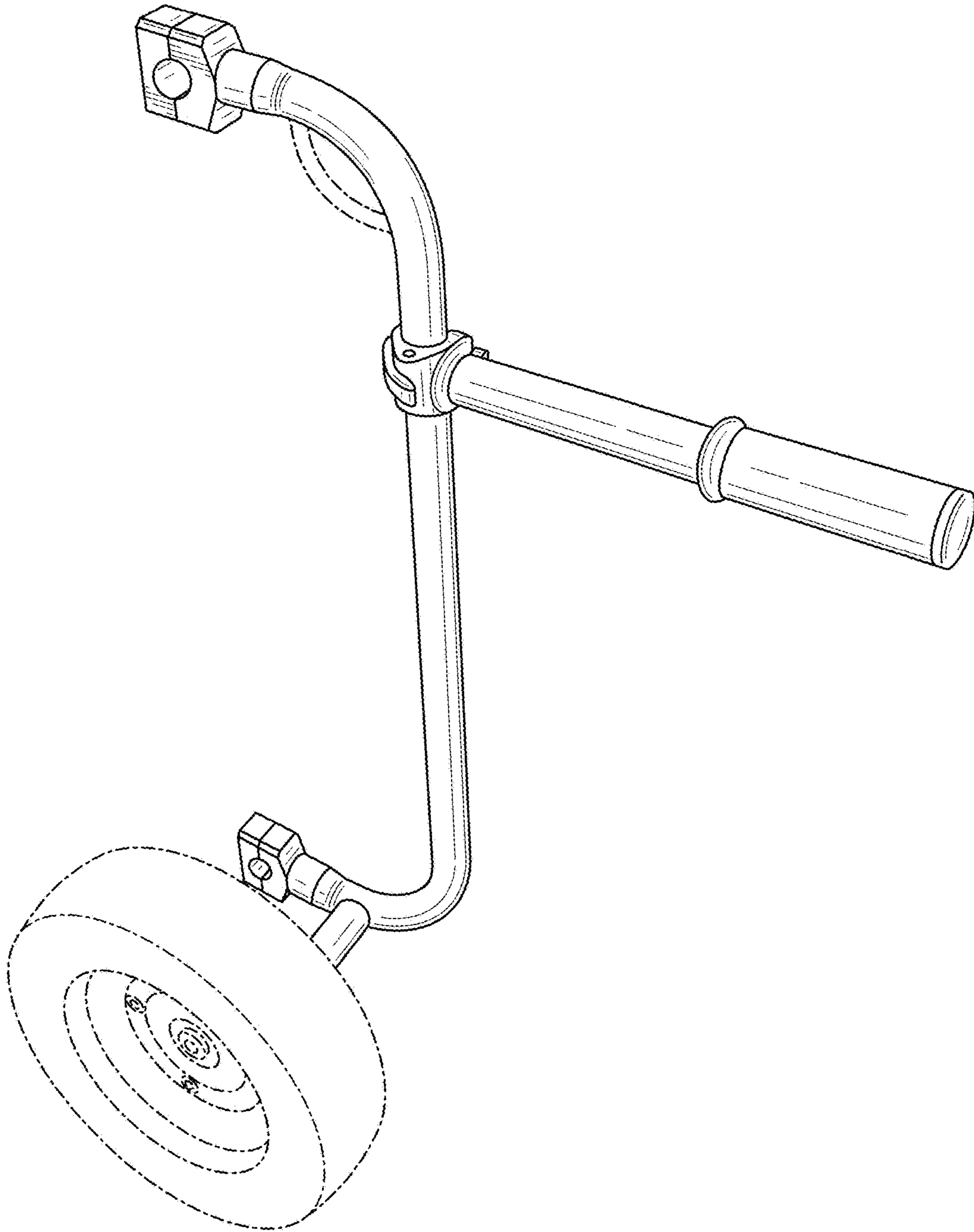


FIG. 1

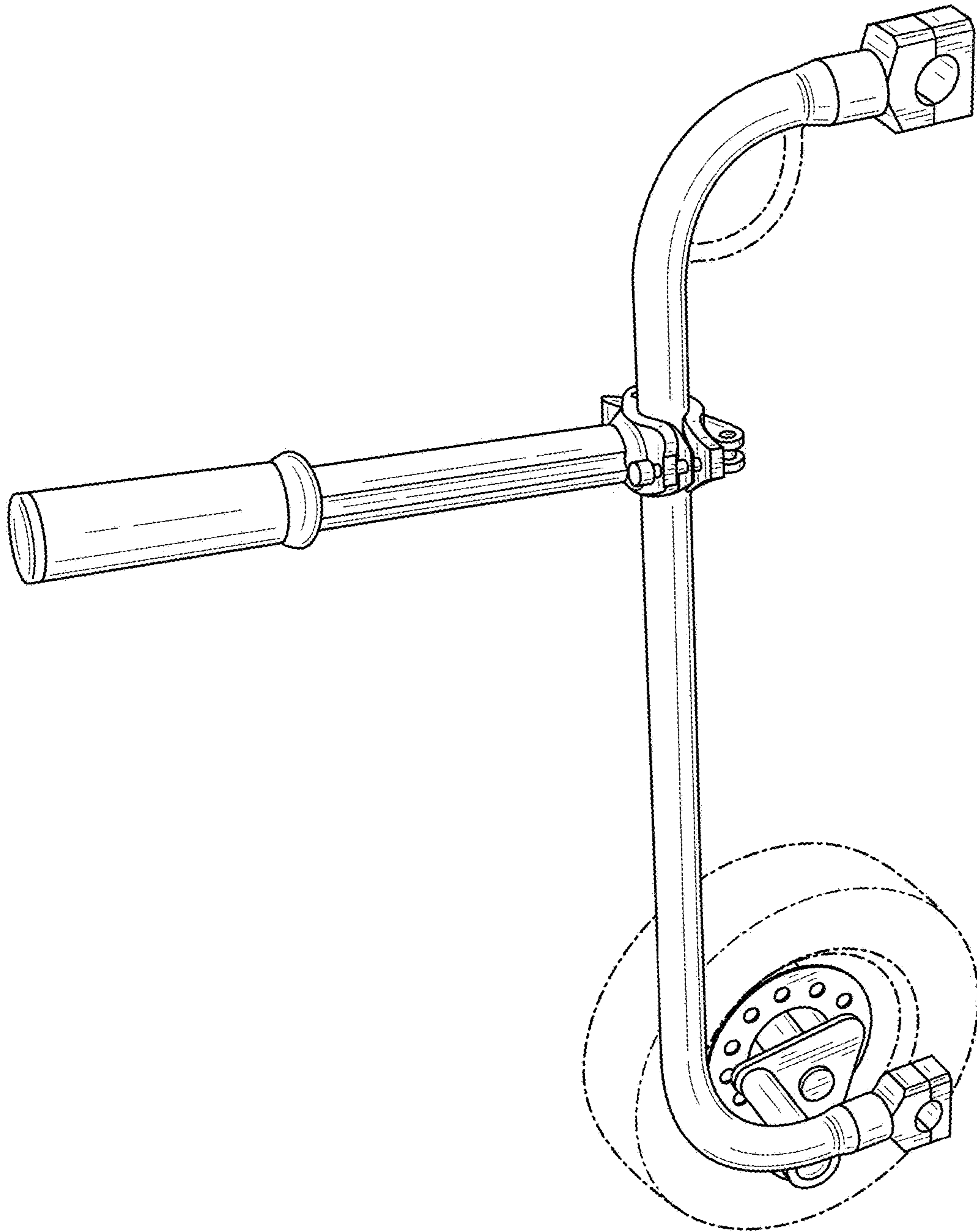


FIG. 2

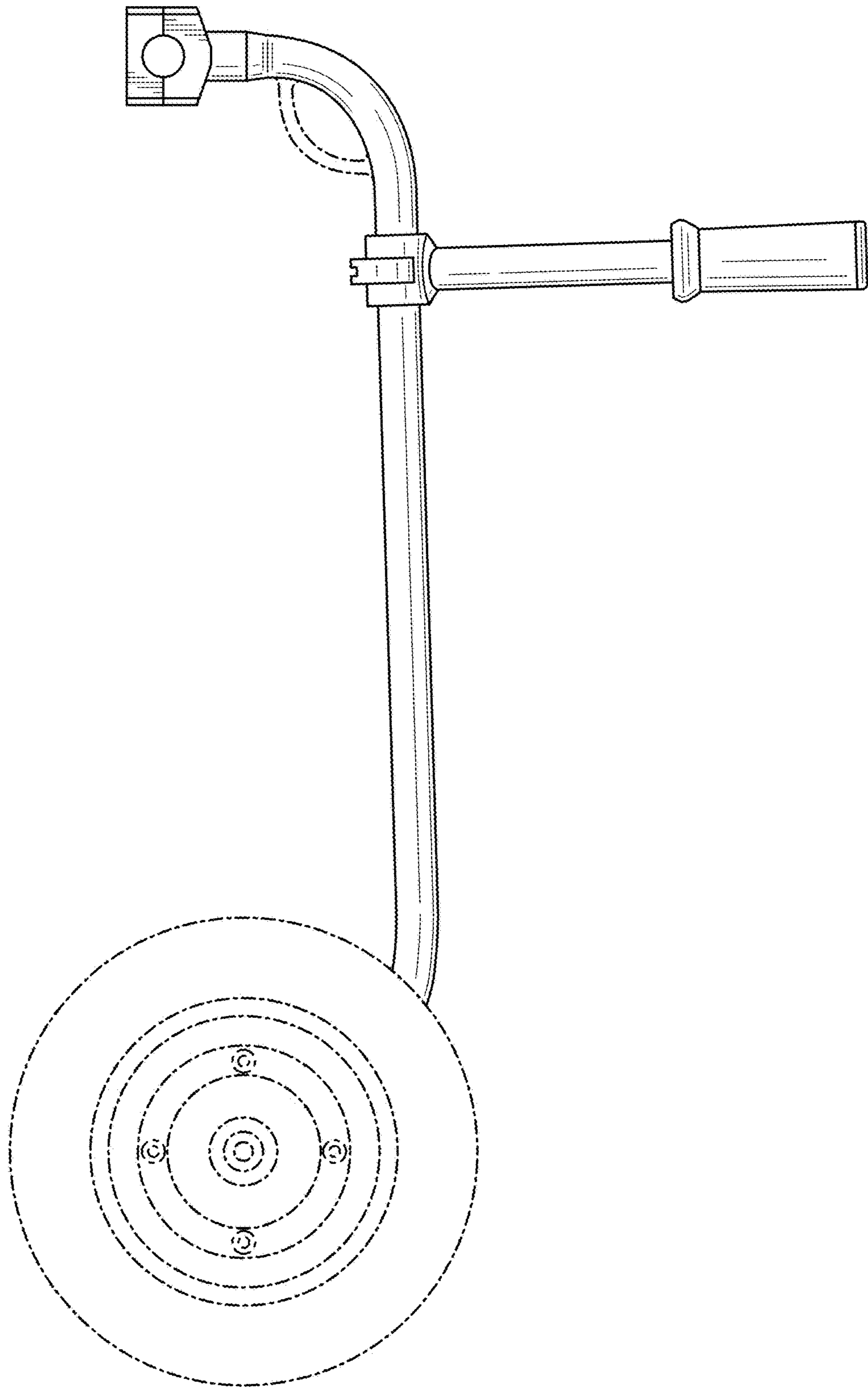


FIG. 3

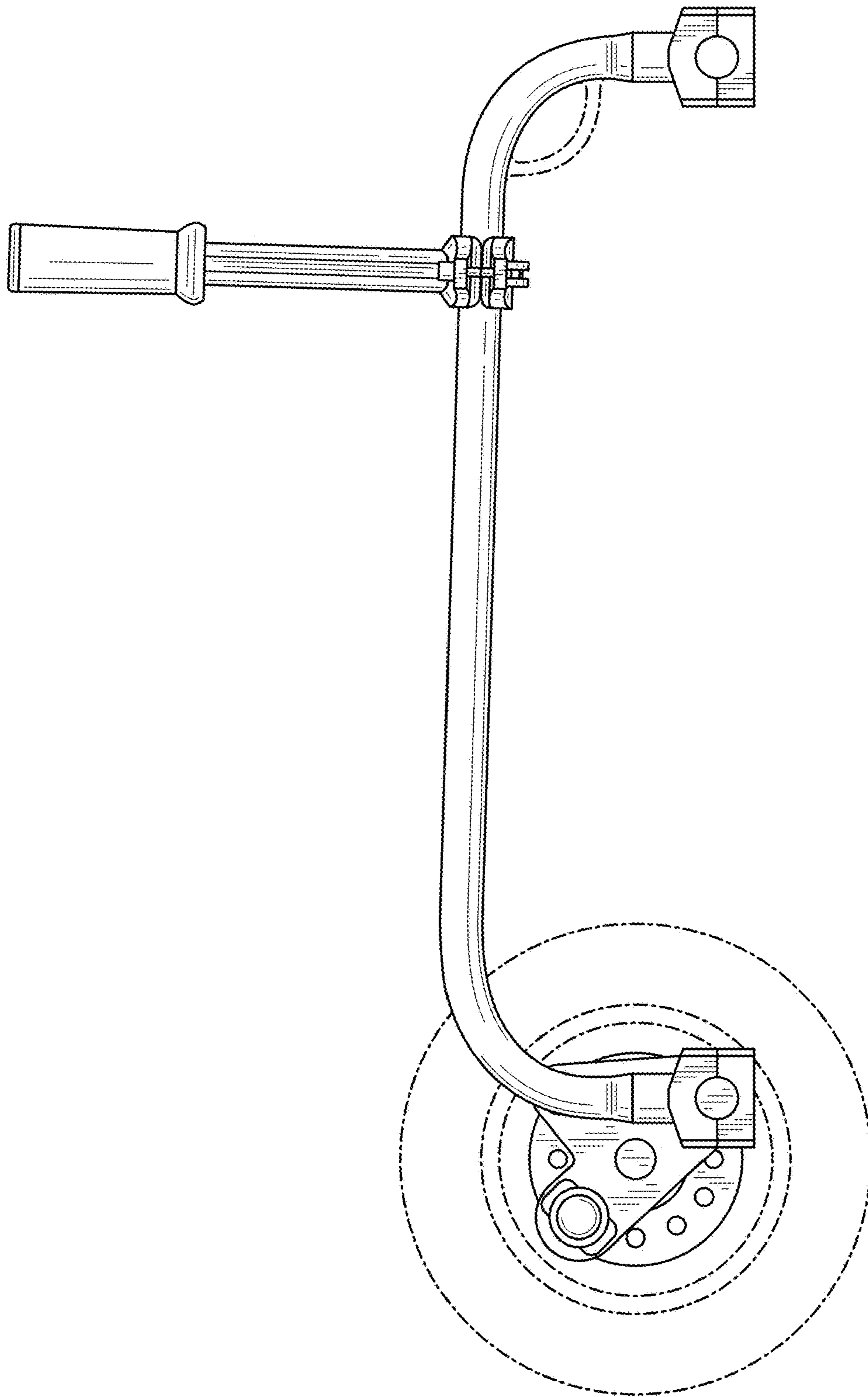


FIG. 4

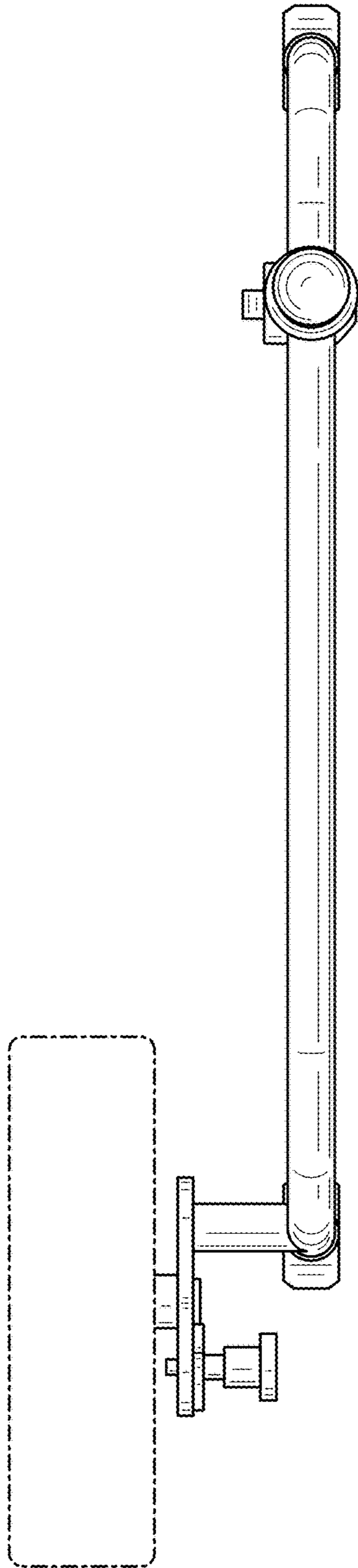


FIG. 5

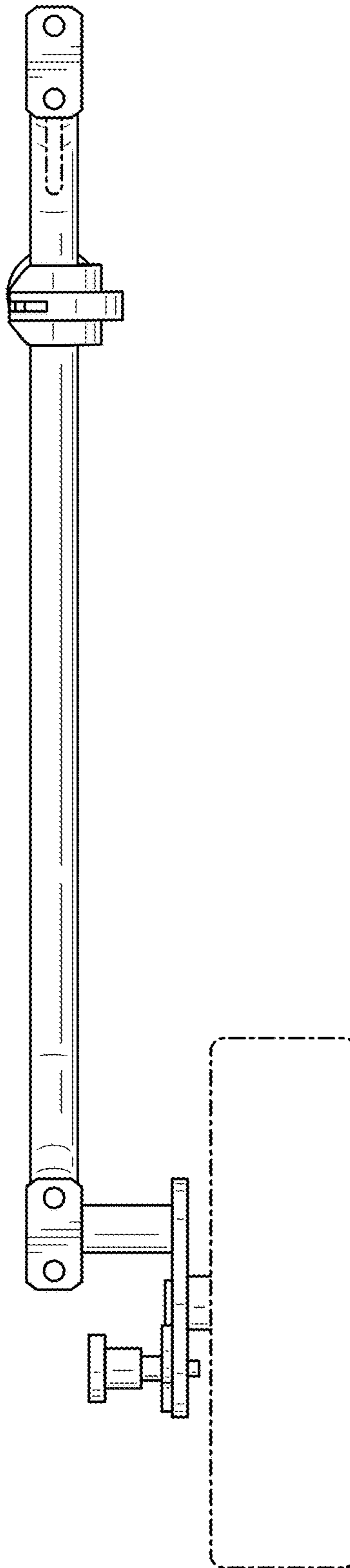


FIG. 6

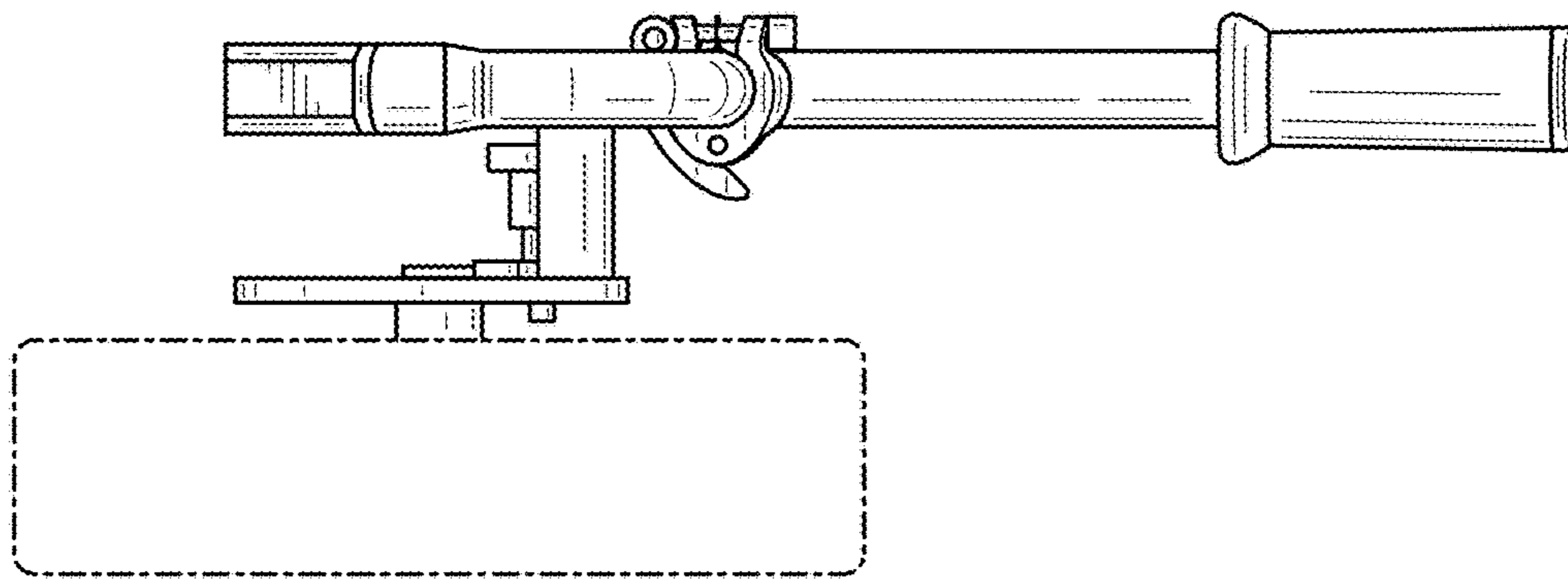


FIG. 7

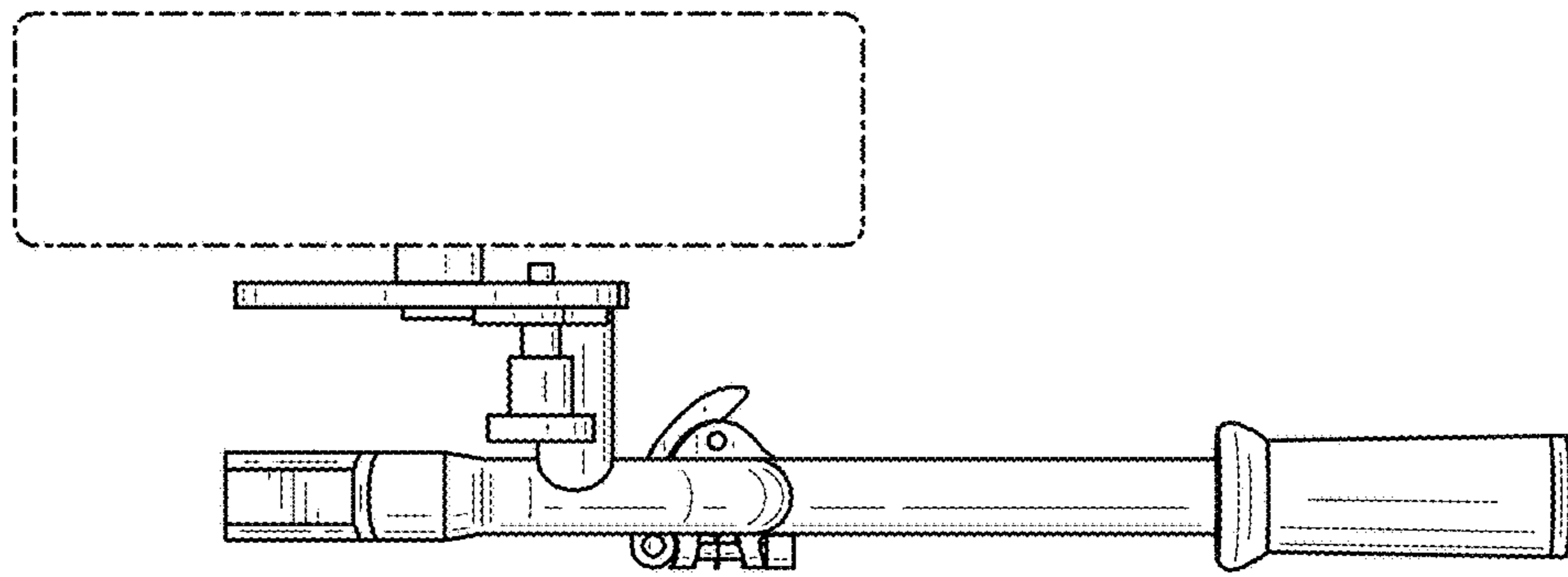


FIG. 8