



US00D846824S

(12) **United States Design Patent**  
**Cao**

(10) **Patent No.:** **US D846,824 S**  
(45) **Date of Patent:** **\*\* Apr. 23, 2019**

- (54) **TROLLEY CART**
- (71) Applicant: **Guohua Cao**, Guangdong (CN)
- (72) Inventor: **Guohua Cao**, Guangdong (CN)
- (\*\*) Term: **15 Years**
- (21) Appl. No.: **29/623,798**
- (22) Filed: **Oct. 27, 2017**
- (51) **LOC (11) Cl.** ..... **12-02**
- (52) **U.S. Cl.**  
USPC ..... **D34/21; D34/12**
- (58) **Field of Classification Search**  
USPC ..... **D34/12-27; D3/304-315; D6/653, D6/653.1, 675.1**  
CPC ..... **A61G 12/001; A47B 88/20; B25H 3/06; B25H 3/021; B25H 3/028; B62B 3/00; B62B 3/002; B62B 3/005; B62B 2501/067**  
See application file for complete search history.

D757,387 S \* 5/2016 Cao ..... D34/21  
D831,390 S \* 10/2018 Li ..... D6/675.1  
D832,549 S \* 10/2018 Cao ..... D34/21

**OTHER PUBLICATIONS**

Google search, Amazon.com, <https://www.amazon.com/Advantus-CH93455-Mobile-Gift-White/dp/B00YUFTJKI>, Nov. 8, 2018 (Year: 2018).\*

\* cited by examiner

*Primary Examiner* — Cynthia Ramirez

(57) **CLAIM**

The ornamental design for a trolley cart, as shown and described.

**DESCRIPTION**

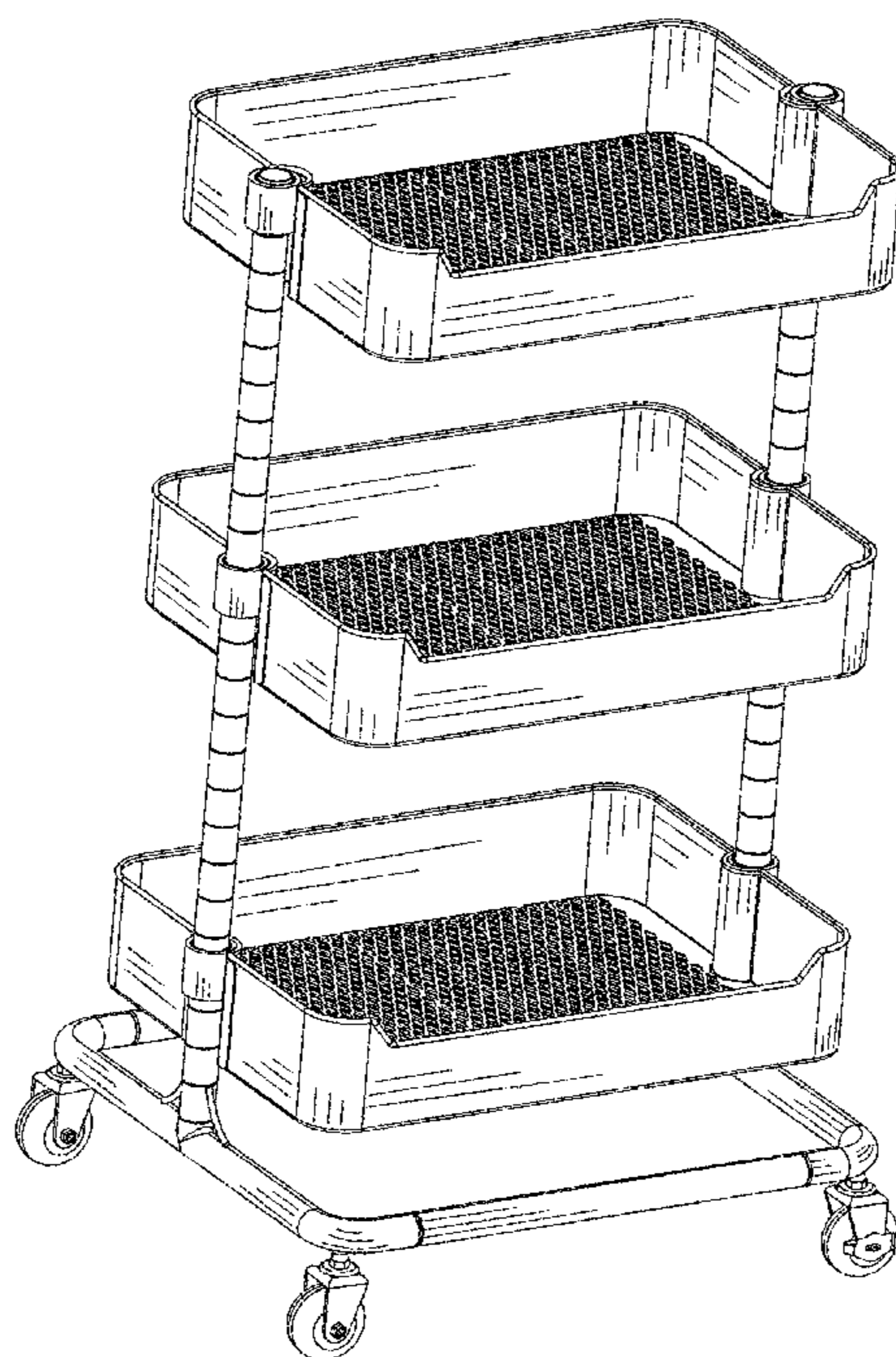
FIG. 1 is a front elevational view of a trolley cart showing my new design;  
FIG. 2 is a rear elevational view thereof;  
FIG. 3 is a left side view thereof;  
FIG. 4 is a right side view thereof;  
FIG. 5 is a top plan view thereof;  
FIG. 6 is a bottom plan view thereof;  
FIG. 7 is a perspective view thereof;  
FIG. 8 is another perspective view thereof; and,  
FIG. 9 is a perspective view of the trolley cart with all the support rods and wheels removed and the baskets stacked.

**1 Claim, 8 Drawing Sheets**

(56) **References Cited**

**U.S. PATENT DOCUMENTS**

D207,308 S *	4/1967	Bell	.....	D34/21
D303,444 S *	9/1989	Yoshikawa	.....	D34/21
D436,239 S *	1/2001	Walsh	.....	D34/17
D517,769 S *	3/2006	Post	.....	D34/21
D610,769 S *	2/2010	Post	.....	D34/21
D703,412 S *	4/2014	Snider	.....	D34/17
D734,914 S *	7/2015	Tsai	.....	D34/21
D748,359 S *	1/2016	Lustig	.....	D34/21
D752,906 S *	4/2016	Gunderson	.....	D6/675.1
D756,584 S *	5/2016	Dunford	.....	D34/12



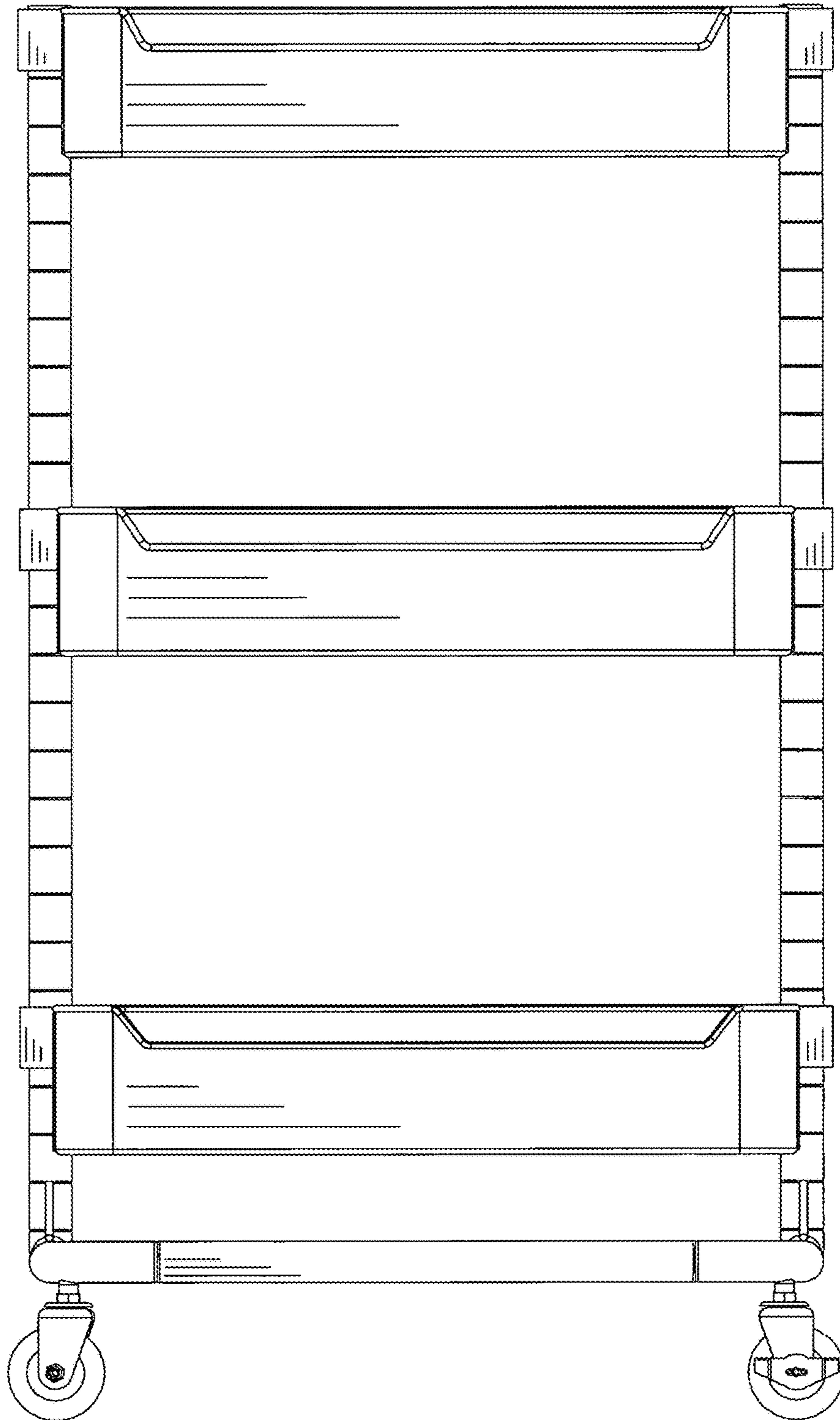


FIG. 1

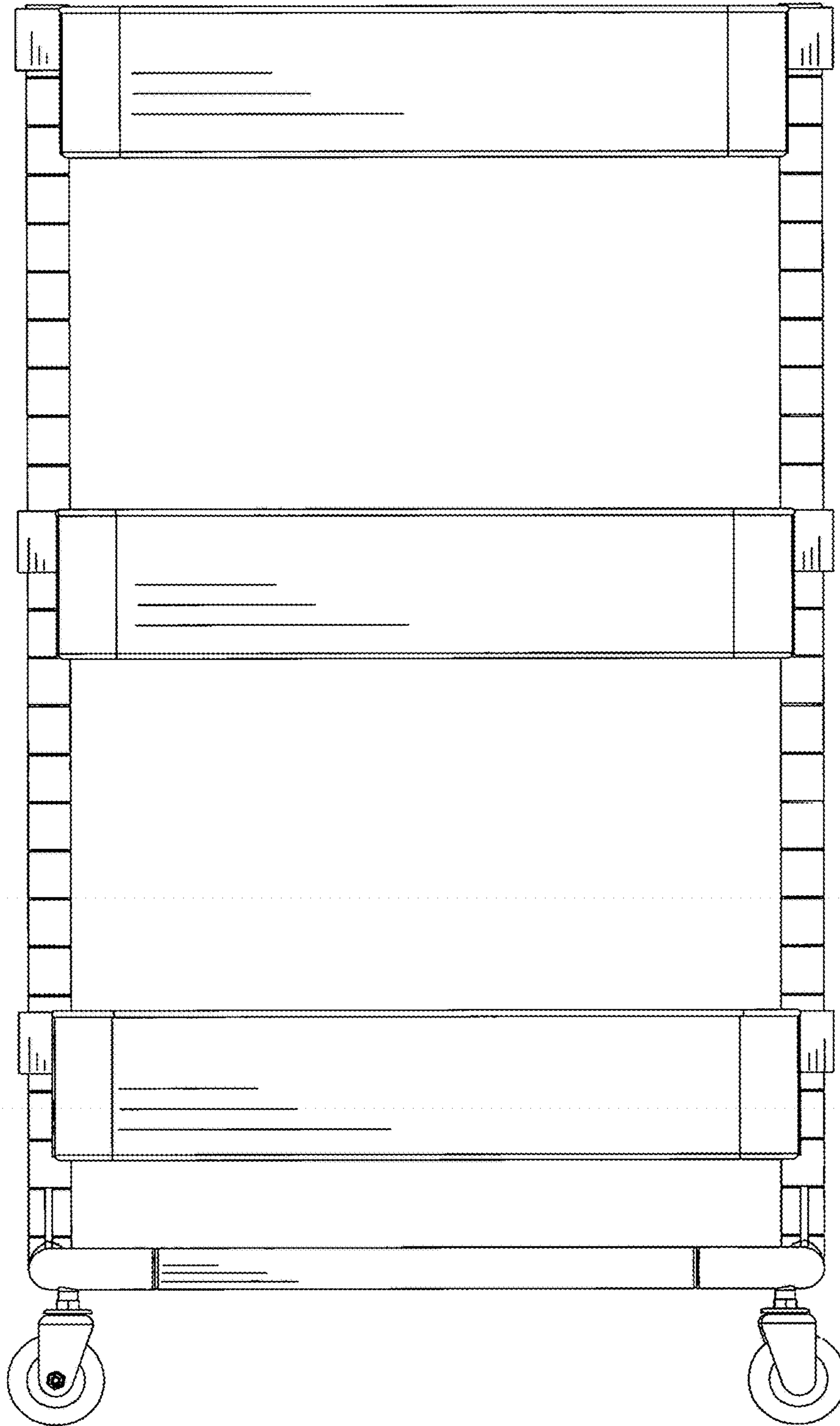


FIG. 2

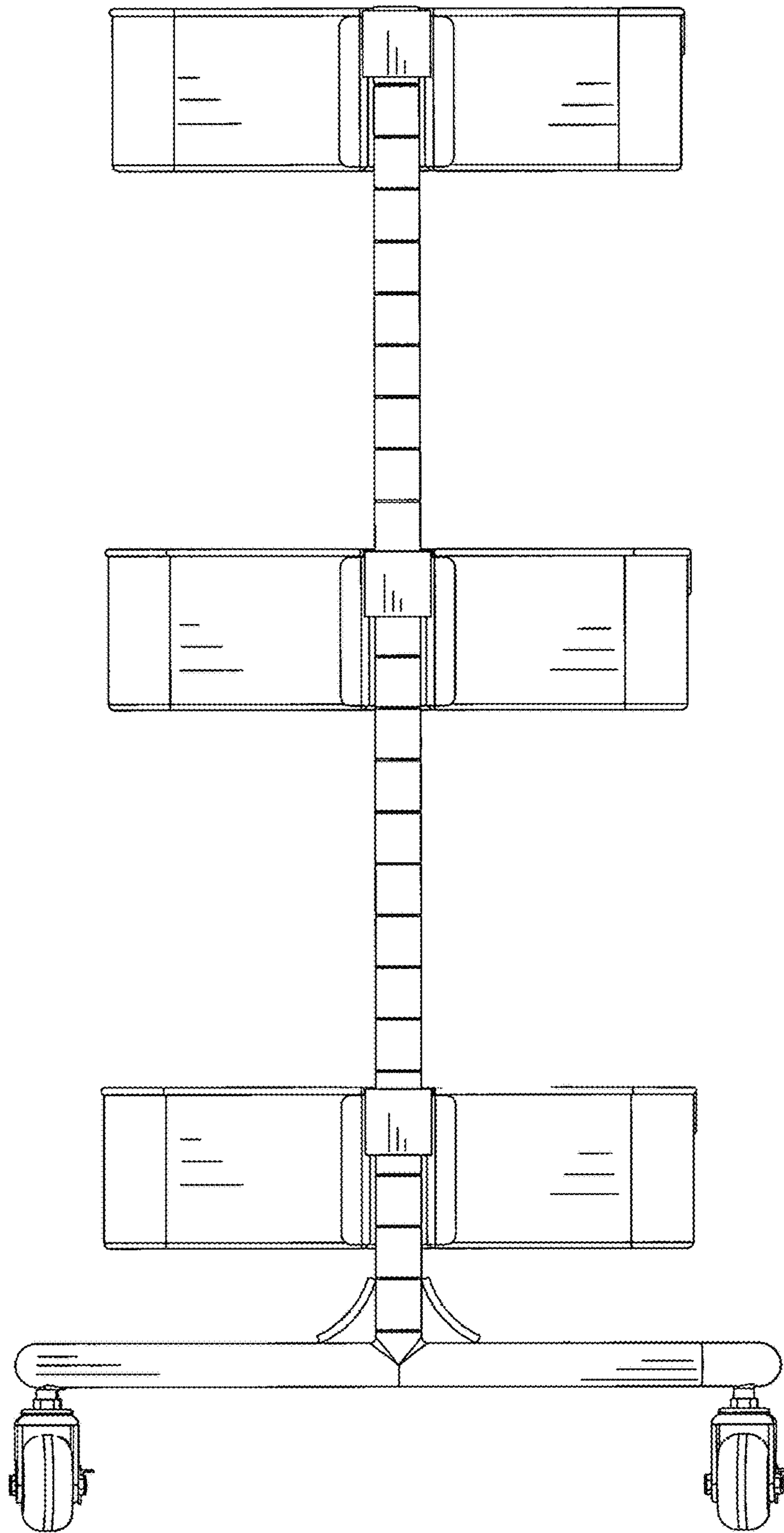


FIG. 3

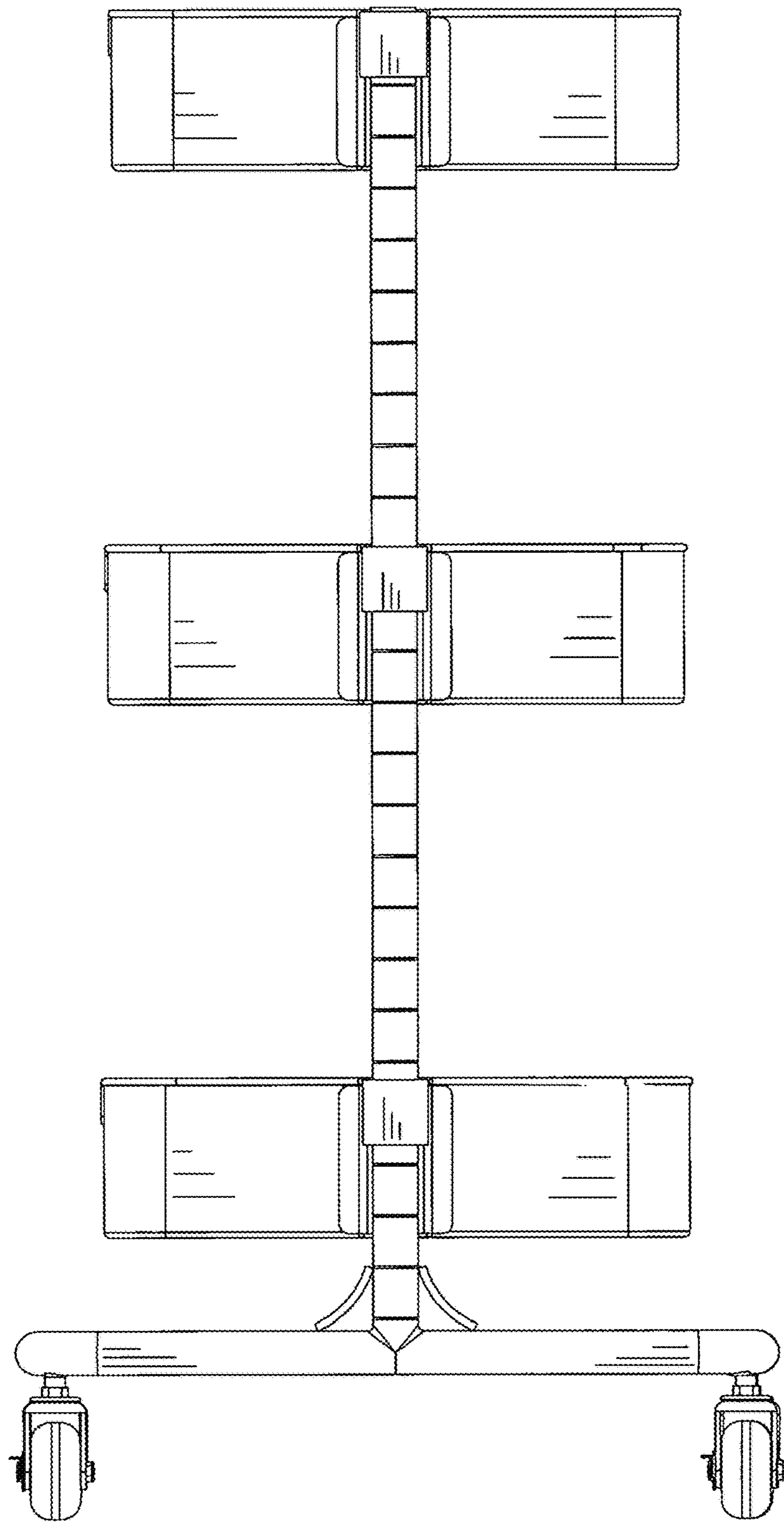


FIG. 4

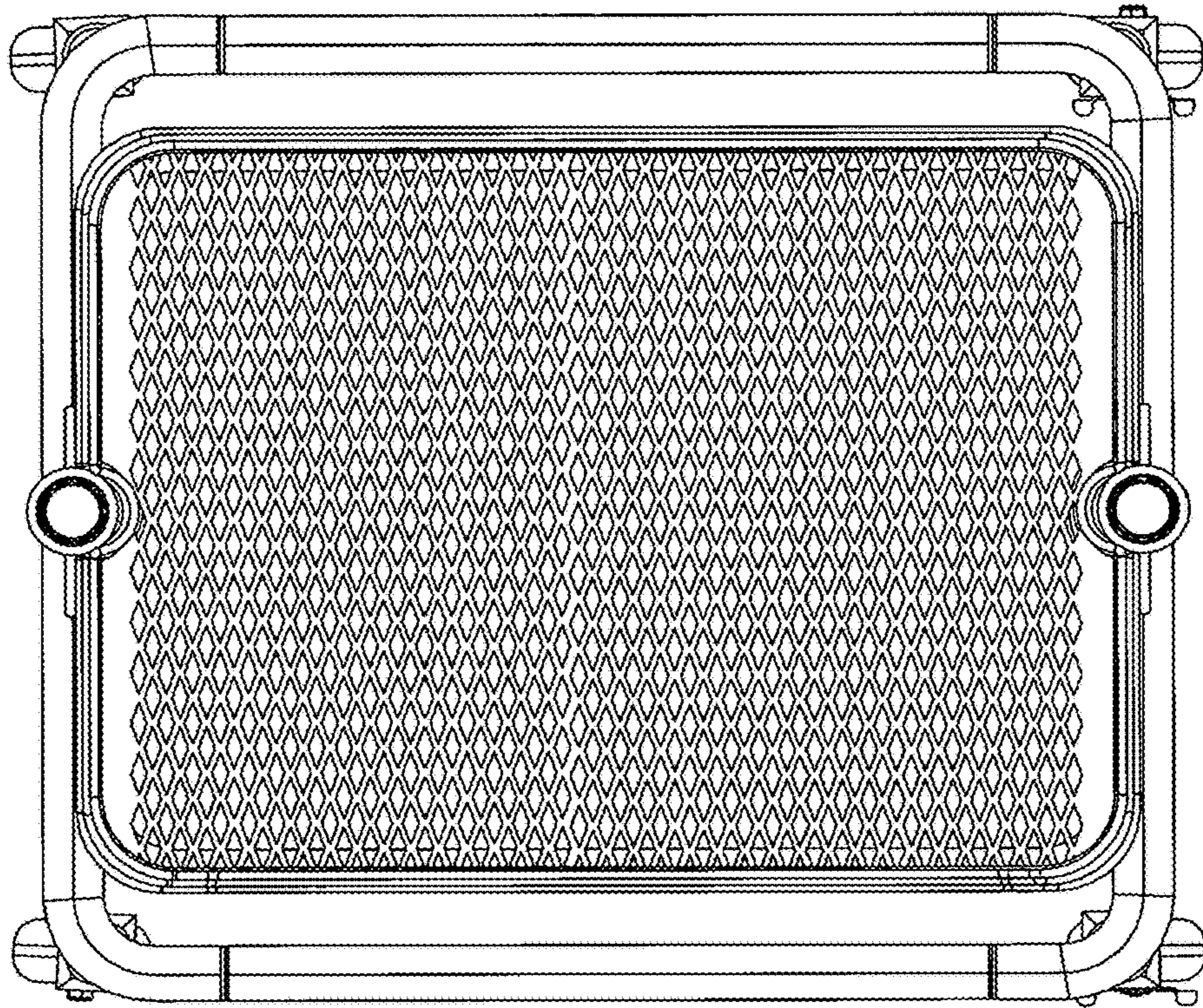


FIG. 5

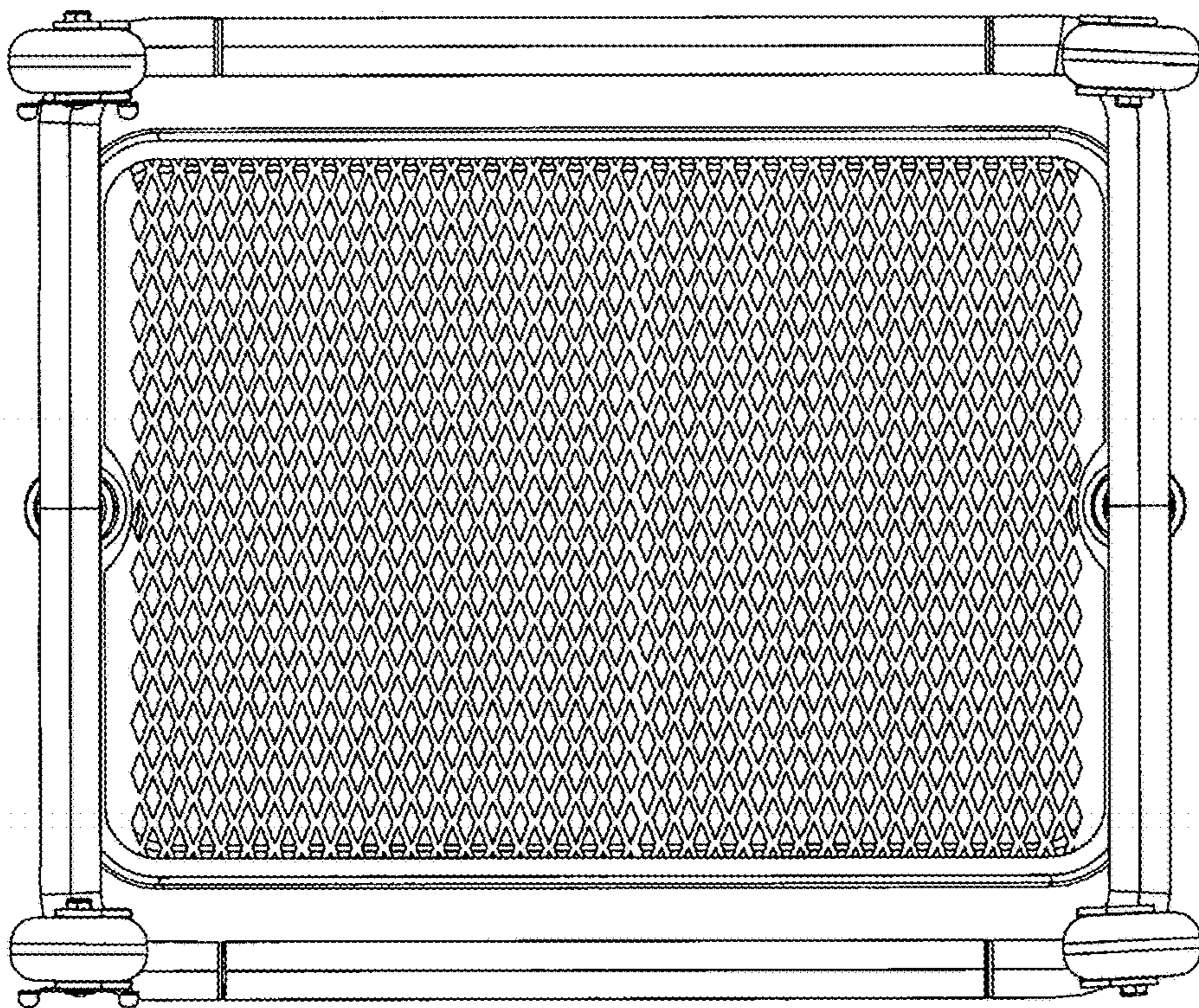


FIG. 6

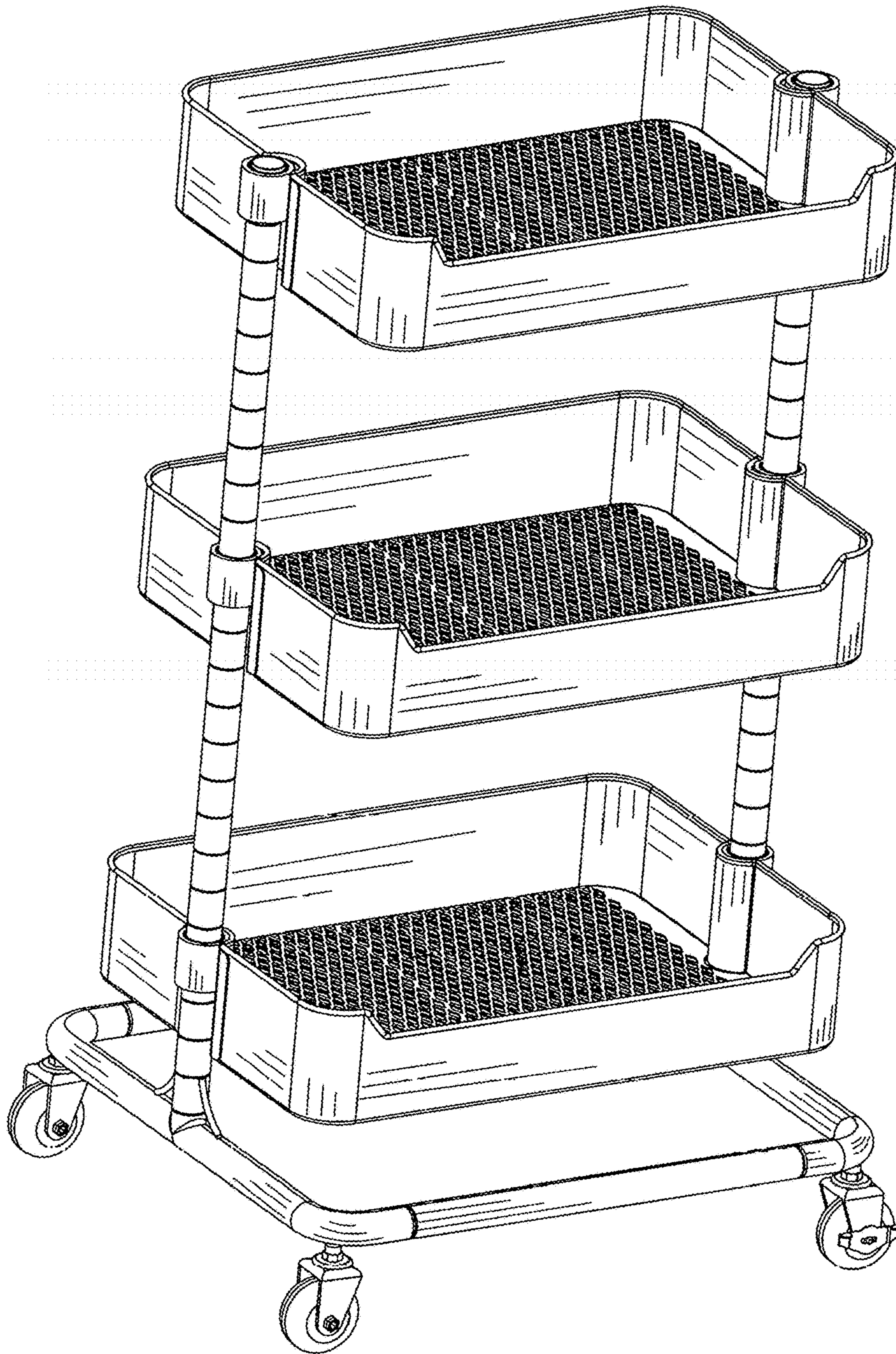


FIG. 7

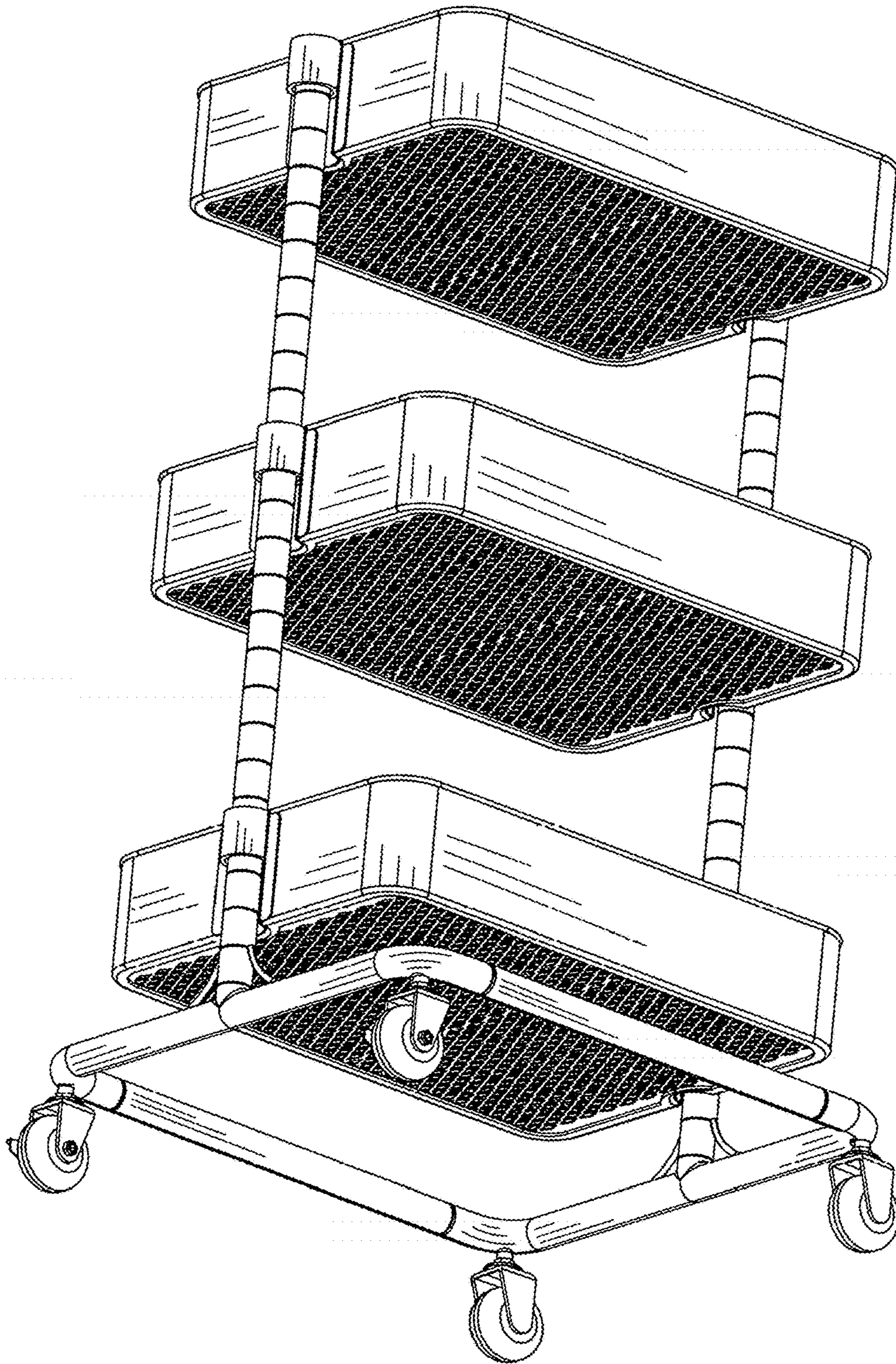


FIG. 8



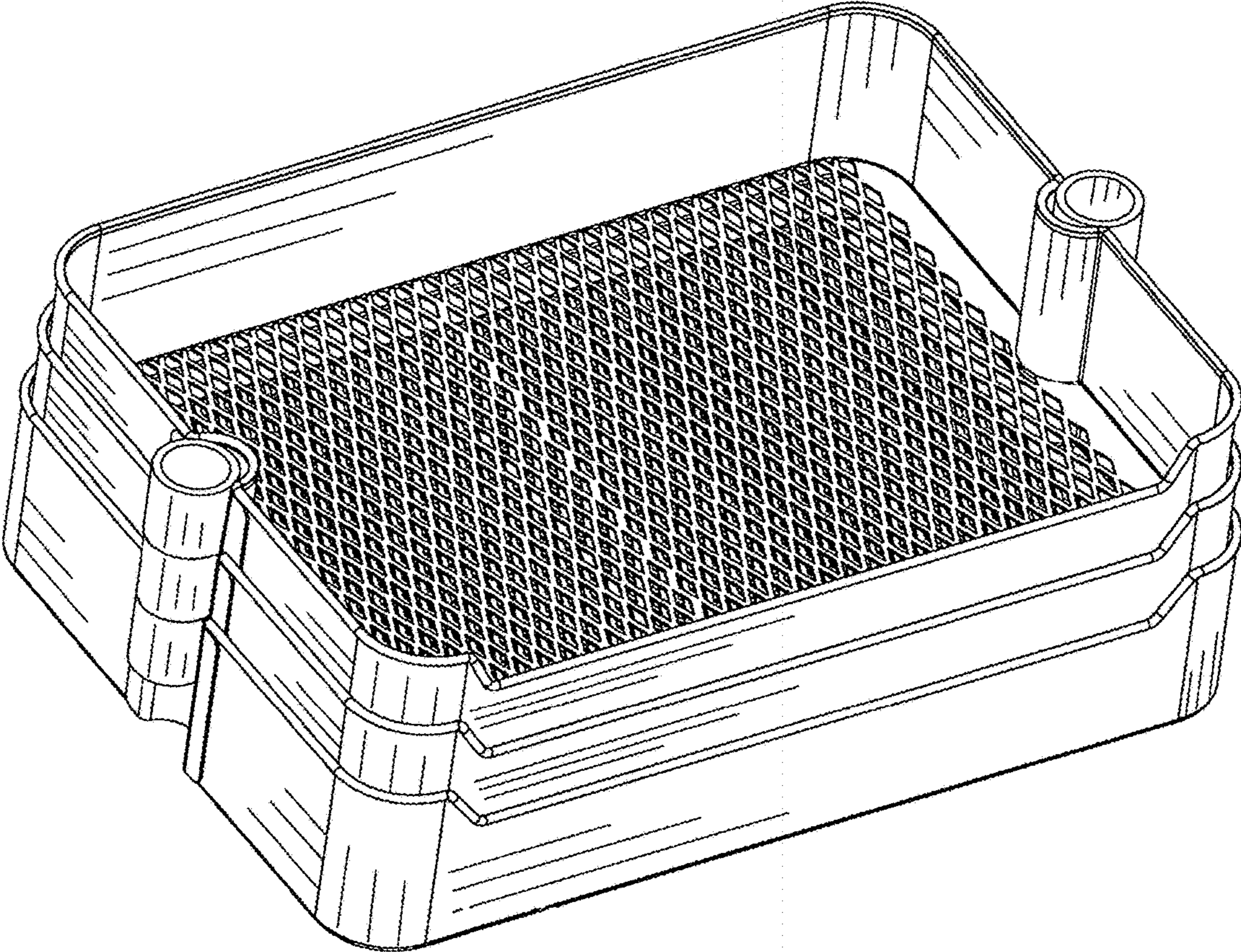


FIG. 9