



US00D846822S

(12) **United States Design Patent** (10) **Patent No.:** **US D846,822 S**
Boyce (45) **Date of Patent:** **** Apr. 23, 2019**

(54) **PAINT STRAINER** 7,784,145 B1 * 8/2010 Prokop B44D 3/126
15/257.06
(71) Applicant: **David James Boyce**, Calgary (CA) D633,676 S * 3/2011 Erdfarb B44D 3/128
D32/54
(72) Inventor: **David James Boyce**, Calgary (CA) D729,483 S * 5/2015 Kent B44D 3/128
D32/54

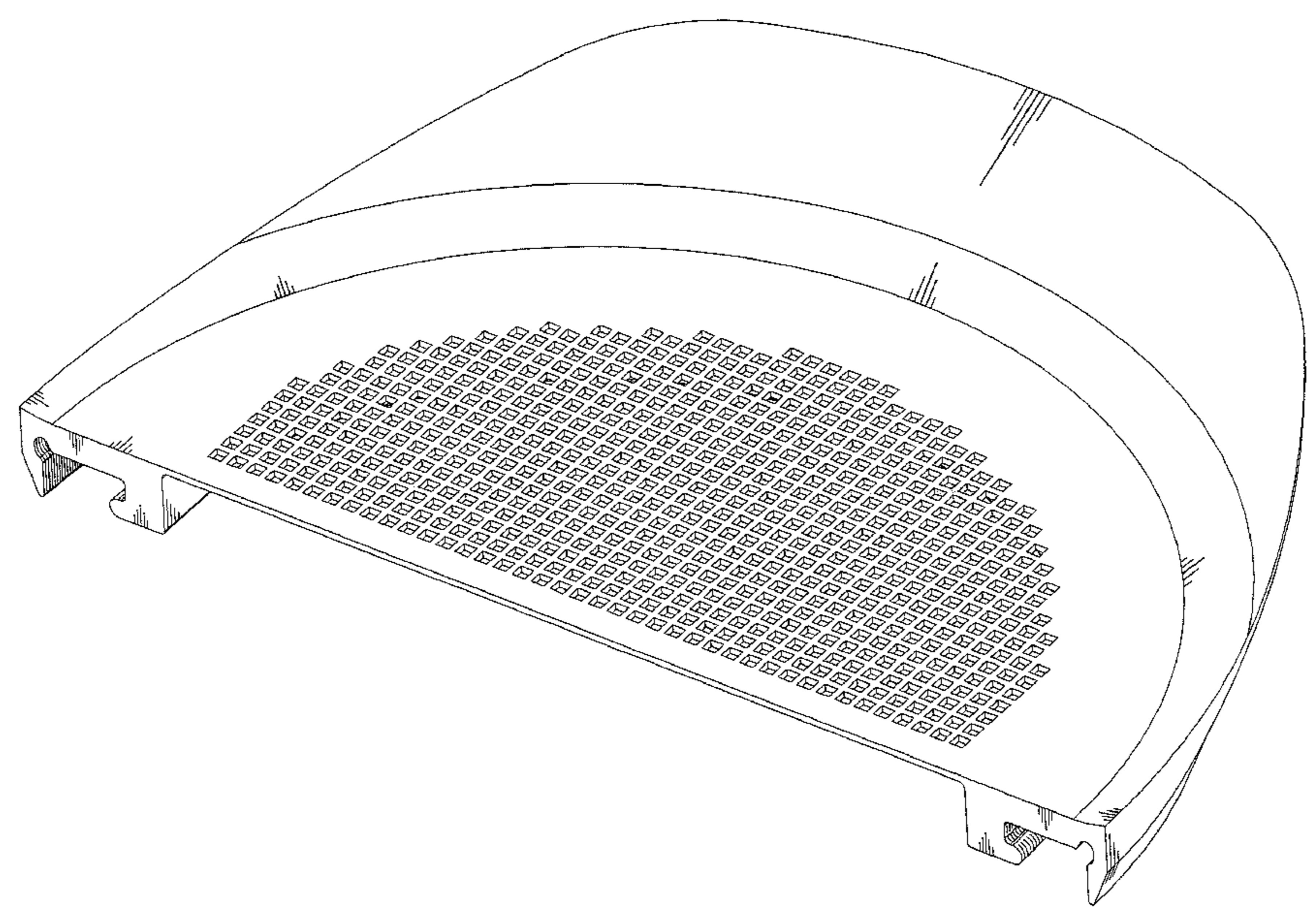
(73) Assignee: **David James Boyce**, Calgary (CA) * cited by examiner
(**) Term: **15 Years** *Primary Examiner* — Robin V Webster
(21) Appl. No.: **29/650,219** (74) *Attorney, Agent, or Firm* — Kyle R. Satterthwaite;
Ryan W Dupious; Ade & Company Inc.

(22) Filed: **Jun. 5, 2018**
(51) **LOC (11) Cl.** **07-07** (57) **CLAIM**
(52) **U.S. Cl.** The ornamental design for a paint strainer, as shown and
USPC **D32/54** described.
(58) **Field of Classification Search** **DESCRIPTION**
USPC D32/53, 53.1, 54
CPC B44D 3/12; B44D 3/123; B44D 3/125;
B44D 3/126; B44D 3/128; A47B 17/00;
A47L 13/50; A47J 47/18
See application file for complete search history.

(56) **References Cited**
U.S. PATENT DOCUMENTS
4,009,802 A * 3/1977 Hayduchok B44D 3/128
220/697
4,225,064 A * 9/1980 Westcott B44D 3/128
220/695
D305,820 S * 1/1990 Beato D32/54
D457,700 S * 5/2002 Acord D32/54
7,134,574 B2 * 11/2006 Braunstein B44D 3/128
222/108
D553,319 S * 10/2007 Martelly D32/53.1

FIG. 1 is a top right rear perspective view of the paint strainer, the top left rear perspective view being a mirror image thereof;
FIG. 2 is a bottom right front perspective view of the paint strainer, the bottom left front perspective view being a mirror image thereof;
FIG. 3 is a top plan view of the paint strainer;
FIG. 4 is a bottom plan view thereof;
FIG. 5 is a front elevational view thereof;
FIG. 6 is a rear elevational view thereof; and,
FIG. 7 is a right side elevational view of the paint strainer, the left side elevational view being a mirror image thereof.

1 Claim, 5 Drawing Sheets



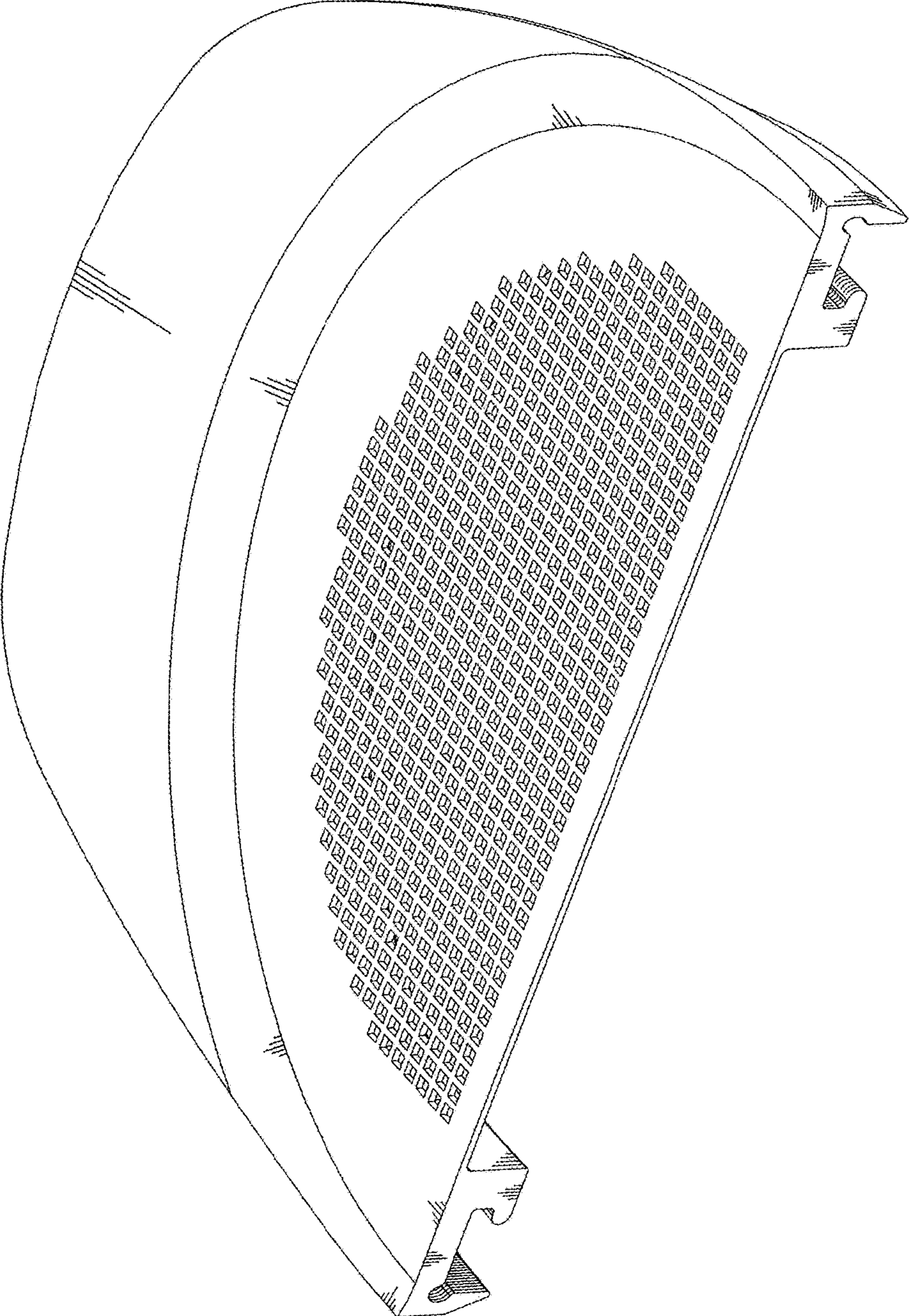


FIG. 1

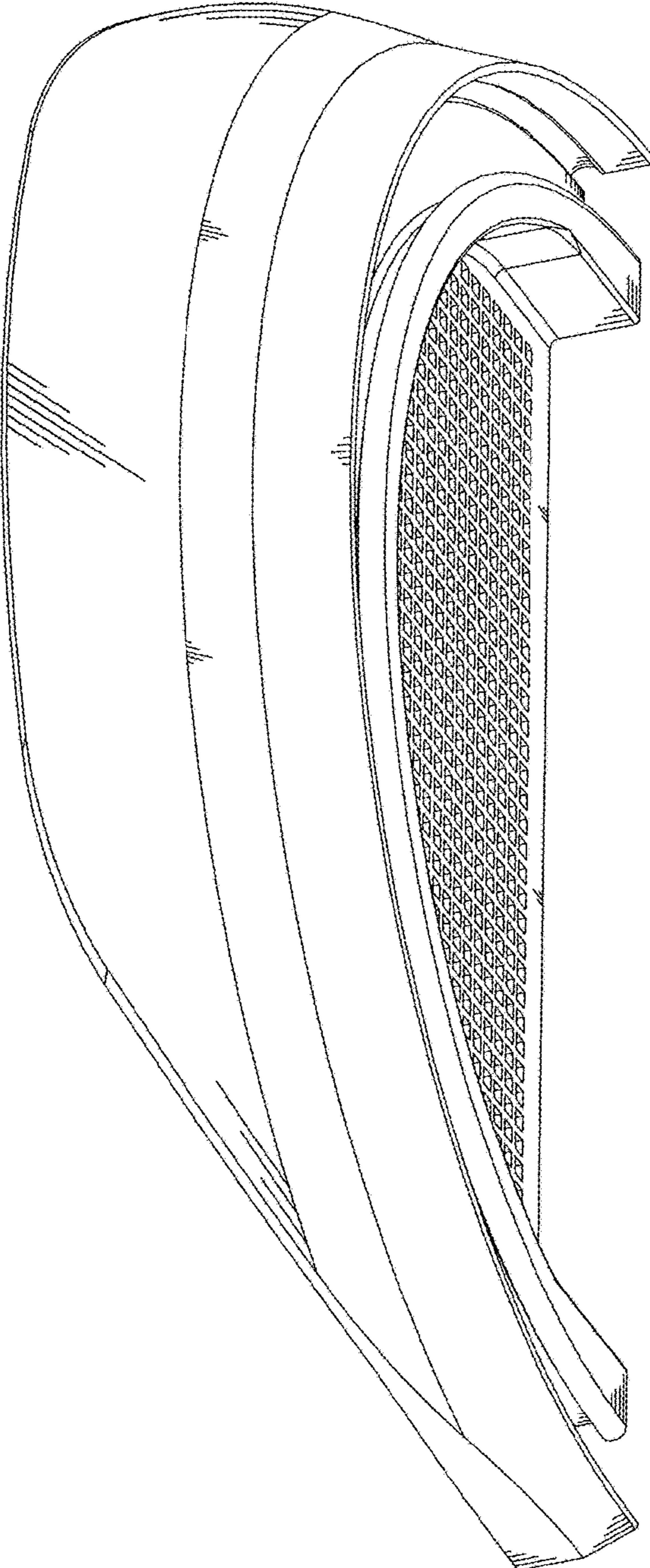


FIG. 2

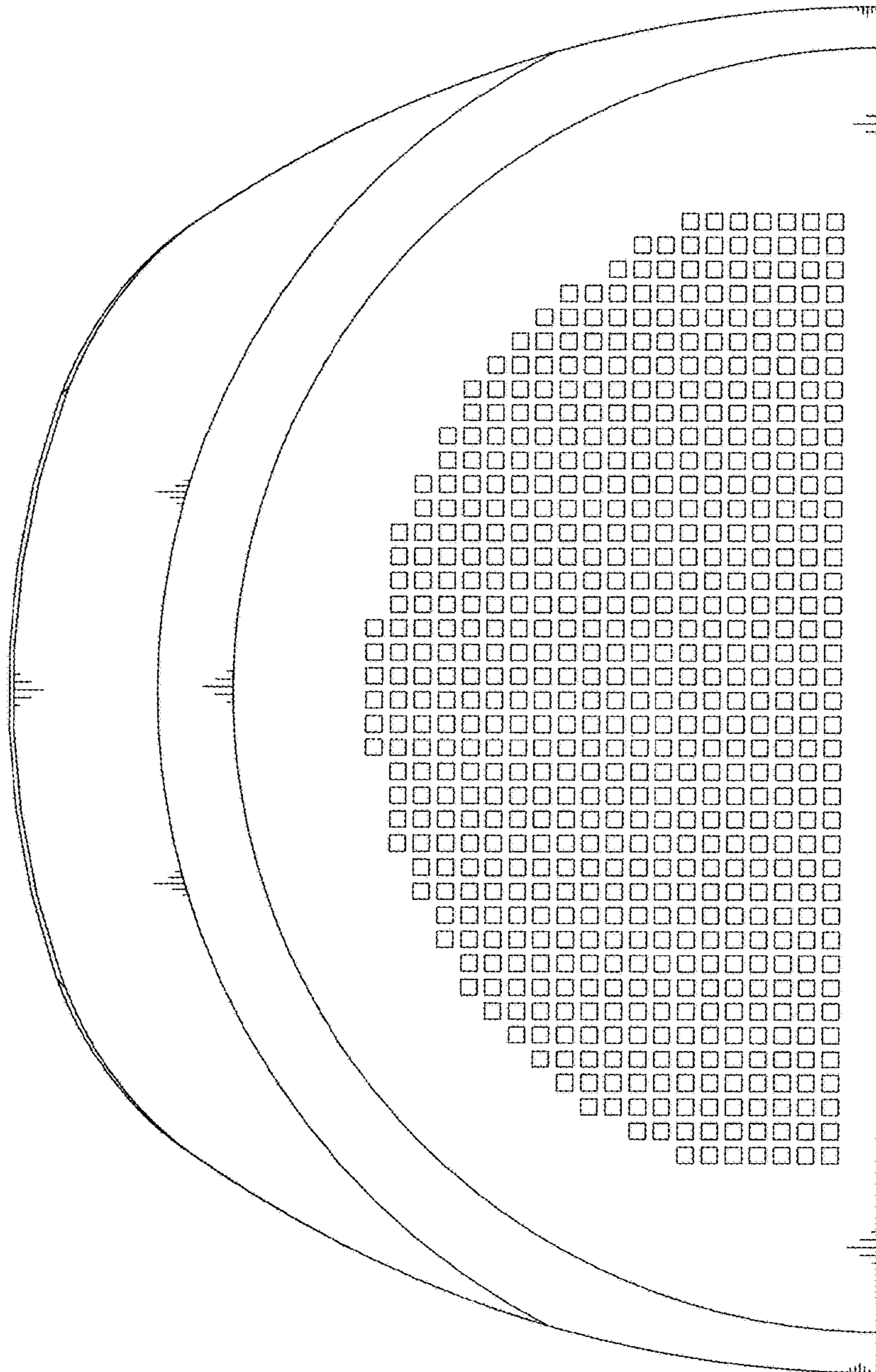


FIG. 3

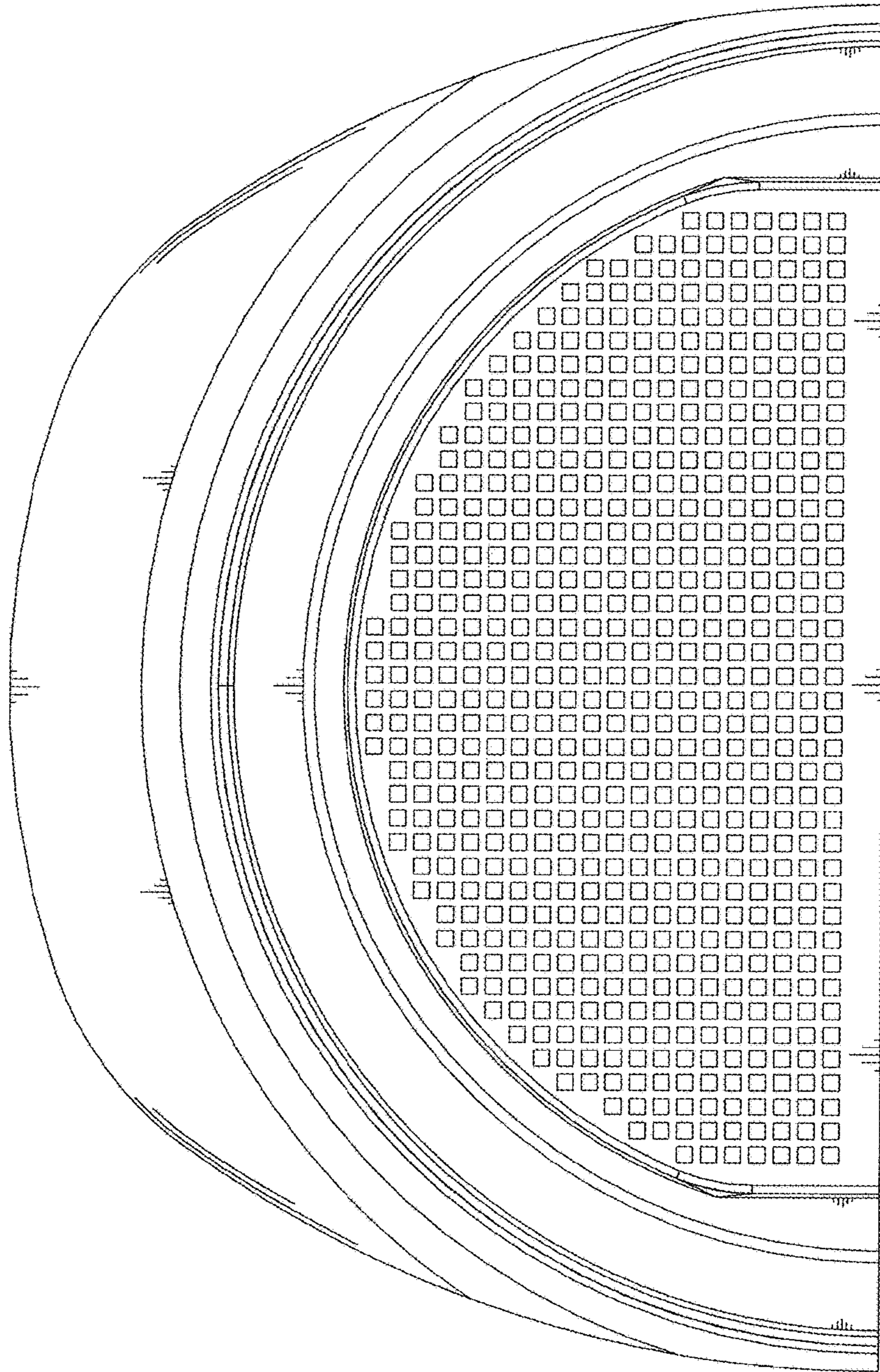


FIG. 4

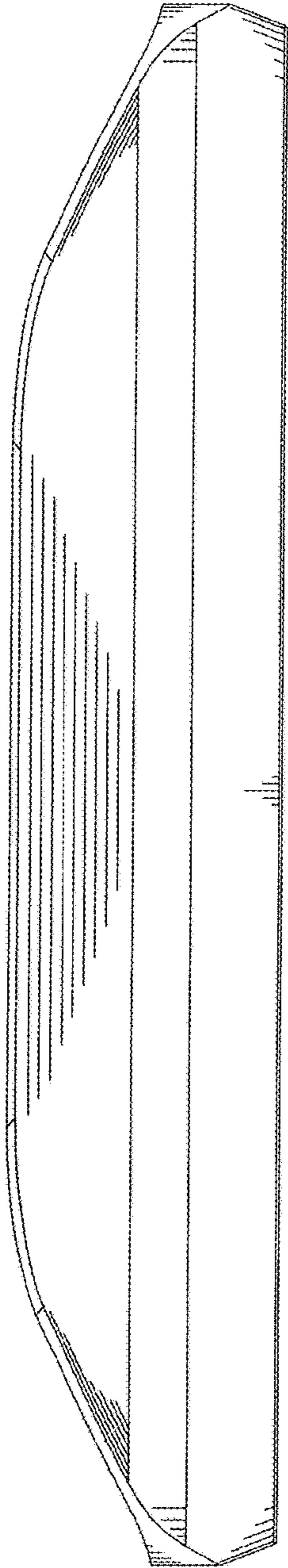


FIG. 5

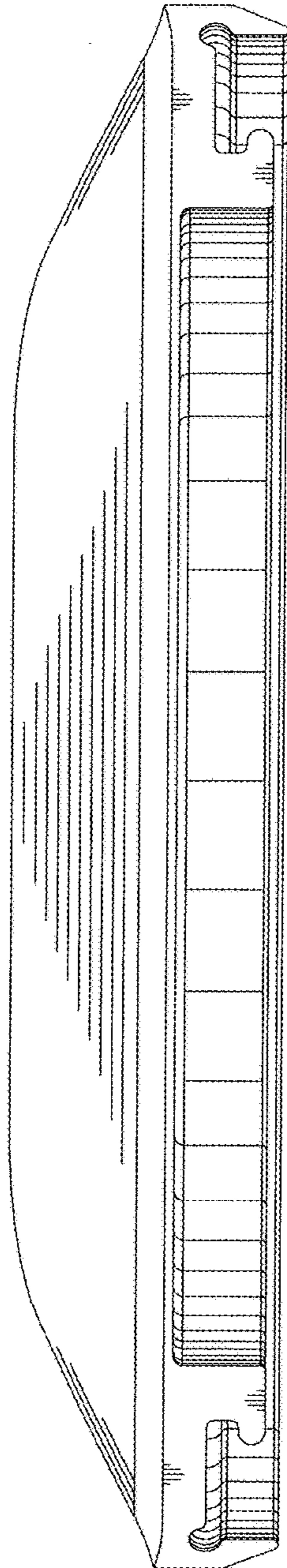


FIG. 6

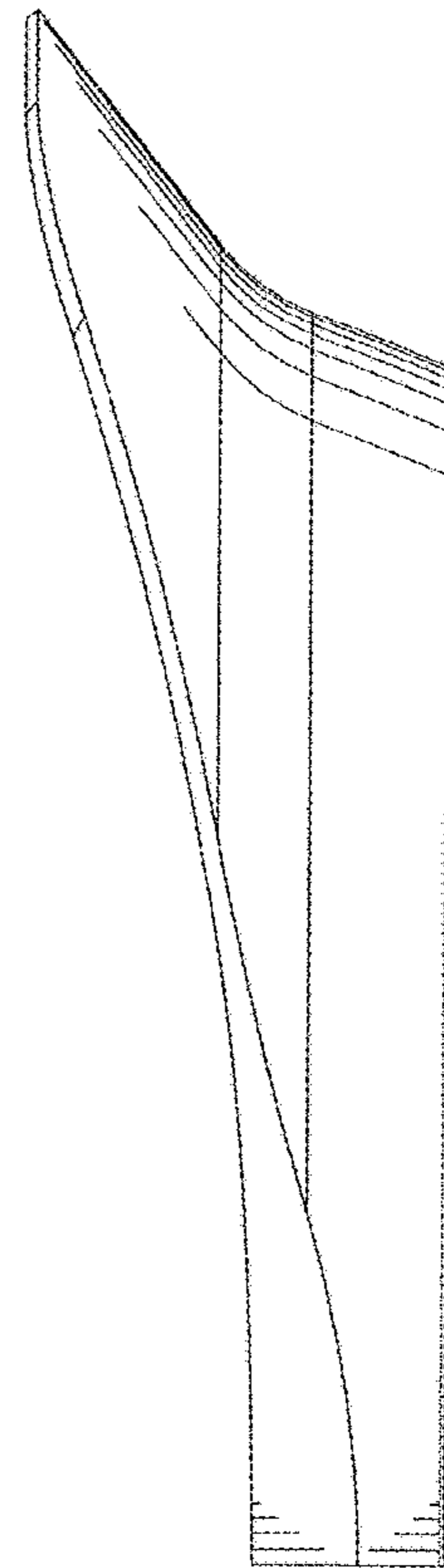


FIG. 7