

US00D846821S

(12) **United States Design Patent**
Palladino et al.

(10) **Patent No.:** **US D846,821 S**
(45) **Date of Patent:** **** Apr. 23, 2019**

(54) **SURFACE CLEANING HEAD COMPONENT OF A VACUUM CLEANER**

4,627,127 A 12/1986 Dupre
D348,548 S 7/1994 Pino
5,960,514 A 10/1999 Miller et al.
D440,019 S 4/2001 Mehaffey et al.

(71) Applicant: **SHARKNINJA OPERATING LLC**,
Needham, MA (US)

(Continued)

(72) Inventors: **Gary V. Palladino**, Somerville, MA
(US); **Owen Rhys Alban Johnson**,
Needham, MA (US); **Junghwan Chei**,
Chestnut Hill, MA (US)

FOREIGN PATENT DOCUMENTS

DE 102010017211 A1 12/2011
DE 102010017258 A1 12/2011

(Continued)

(73) Assignee: **SharkNinja Operating LLC**,
Needham, MA (US)

OTHER PUBLICATIONS

(**) Term: **15 Years**

International Search Report and Written Opinion dated Mar. 17,
2017 in corresponding PCT Patent Application No. PCT/US 16/58155,
12 pgs.

(Continued)

(21) Appl. No.: **29/641,466**

(22) Filed: **Mar. 22, 2018**

Related U.S. Application Data

(62) Division of application No. 29/606,105, filed on Jun.
1, 2017, which is a division of application No.
29/559,436, filed on Mar. 28, 2016, now Pat. No. Des.
799,767.

Primary Examiner — Ruth McInroy

(74) *Attorney, Agent, or Firm* — Grossman Tucker
Perreault & Pfleger, PLLC

(51) **LOC (11) Cl.** **15-05**

(52) **U.S. Cl.**
USPC **D32/32**

(58) **Field of Classification Search**
USPC D32/31-34, 22
CPC A47L 5/24; A47L 5/28; A47L 5/38; A47L
11/4044; A47L 11/34; A47L 7/0038;
A47L 9/325; A47L 9/02; A47L 1/08;
D01H 11/006; B60S 1/64; B08B 3/026;
B08B 3/028

See application file for complete search history.

(57) **CLAIM**

We claim the ornamental design for a surface cleaning head
component of a vacuum cleaner, as shown and described.

DESCRIPTION

FIG. 1 is a top perspective view of a surface cleaning head
of a vacuum cleaner showing our new design;
FIG. 2 is a front view thereof;
FIG. 3 is a rear view thereof;
FIG. 4 is a left side view thereof;
FIG. 5 is a right side view thereof;
FIG. 6 is a top view thereof; and,
FIG. 7 is a bottom view thereof.

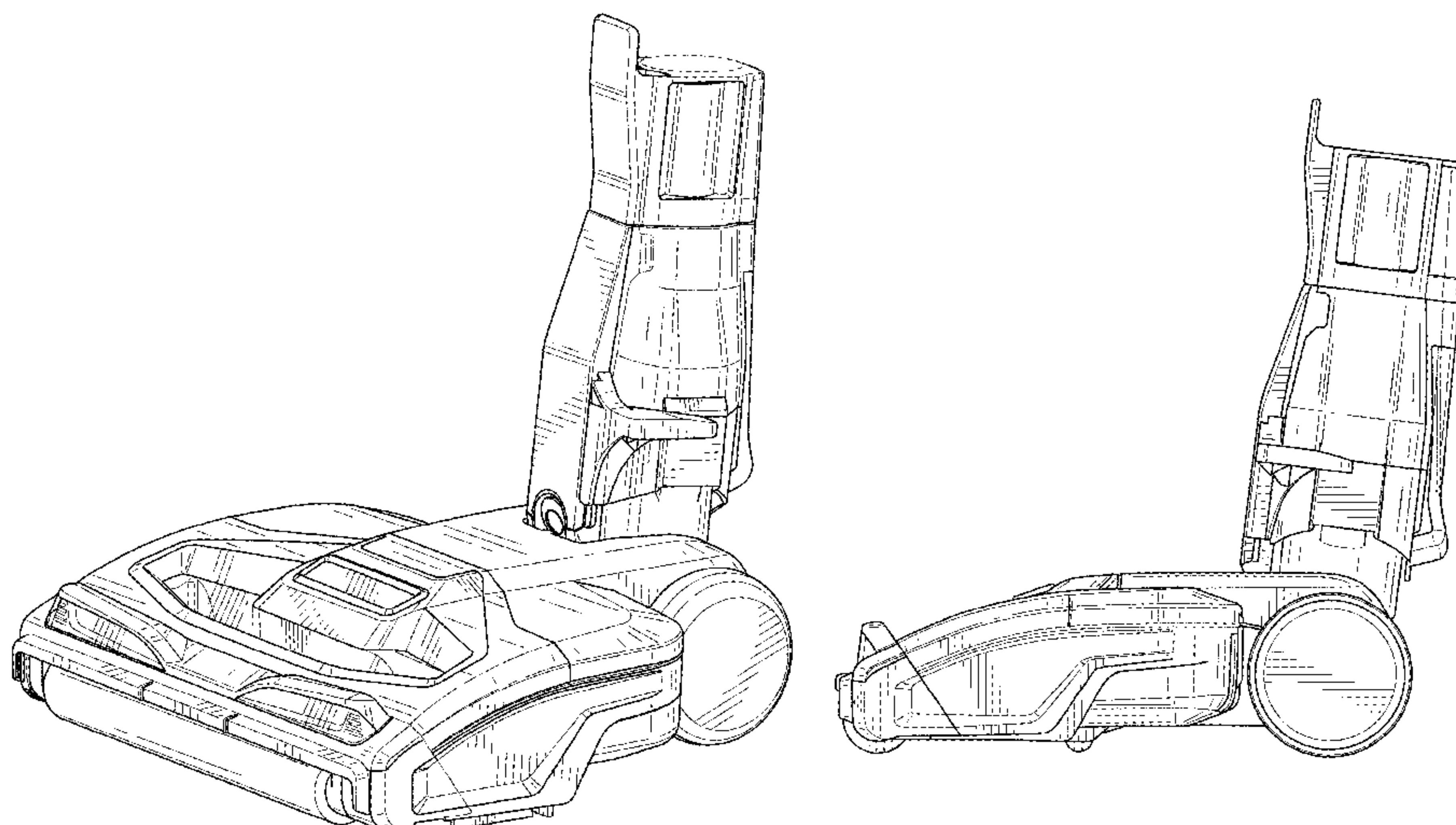
The broken lines are included for the purpose of illustrating
the unclaimed portions of the article and form no part of the
claim.

(56) **References Cited**

U.S. PATENT DOCUMENTS

4,138,762 A 2/1979 Jost et al.
4,372,004 A 2/1983 Vermillion

1 Claim, 6 Drawing Sheets



(56)

References Cited

U.S. PATENT DOCUMENTS

6,237,188 B1 5/2001 Takemoto et al.
 D473,687 S * 4/2003 Kaffenberger D32/33
 D524,498 S * 7/2006 Luebbering D32/32
 7,171,723 B2 2/2007 Kobayashi et al.
 7,328,479 B2 2/2008 Willenbring
 D566,356 S * 4/2008 Medema D32/32
 D569,564 S * 5/2008 Labarbera D32/32
 D594,612 S * 6/2009 Umeda D32/32
 D597,268 S * 7/2009 Santiago D32/32
 D619,315 S 7/2010 Ayers
 D635,728 S 4/2011 Fjellman
 7,979,952 B2 7/2011 Beskow et al.
 D655,468 S 3/2012 Karsan
 D668,010 S 9/2012 Stickney et al.
 8,402,600 B2 3/2013 Beskow et al.
 D681,291 S 4/2013 Morgan et al.
 8,745,818 B2 6/2014 Iles et al.
 D720,104 S * 12/2014 Santiago D32/32
 9,027,198 B2 5/2015 Conrad
 D731,130 S 6/2015 Dyson et al.
 D731,134 S 6/2015 Dyson et al.
 D731,136 S 6/2015 Yun et al.
 D731,720 S 6/2015 Gidwell et al.
 D731,724 S 6/2015 Cheon et al.
 9,066,640 B2 6/2015 Iles et al.
 D738,583 S 9/2015 Gidwell et al.
 D738,584 S 9/2015 Niedzwecki
 9,144,356 B2 9/2015 Yun
 D741,558 S 10/2015 Kerr
 D742,083 S 10/2015 Gidwell et al.
 D743,123 S 11/2015 Chu
 D745,231 S 12/2015 Niedzwecki
 D747,571 S 1/2016 Dyson
 D747,572 S 1/2016 Kerr
 9,314,140 B2 4/2016 Eriksson
 D761,507 S 7/2016 Heck et al.
 D762,031 S * 7/2016 Niedzwecki D32/32
 9,451,853 B2 9/2016 Conrad et al.
 D770,111 S 10/2016 Lee et al.
 9,468,346 B1 10/2016 Rzepka
 D771,890 S 11/2016 Kim
 D772,512 S 11/2016 Yoon et al.
 D773,139 S 11/2016 Palladino
 D774,260 S 12/2016 Manning
 D774,264 S * 12/2016 Bartram D32/33
 D779,751 S * 2/2017 Chu D32/32

D779,752 S * 2/2017 Johnson D32/32
 D781,014 S * 3/2017 Wu D32/32
 D788,393 S * 5/2017 Canas D32/32
 D789,007 S 6/2017 Jang et al.
 D790,785 S 6/2017 Courtney et al.
 D792,665 S 7/2017 Salagnac
 D796,136 S * 8/2017 Reynolds D32/33
 2002/0124334 A1 9/2002 Worwag
 2005/0172447 A1 8/2005 Roney et al.
 2006/0191097 A1 8/2006 Baumhake
 2009/0229075 A1 9/2009 Eriksson
 2012/0311813 A1 12/2012 Gilbert, Jr. et al.
 2013/0139349 A1 6/2013 Iles et al.
 2014/0060577 A1 3/2014 Bruders et al.
 2014/0196247 A1 7/2014 Kasper et al.
 2014/0237760 A1 8/2014 Conrad
 2015/0033498 A1 2/2015 McVey
 2015/0359396 A1 12/2015 Yun
 2016/0058257 A1 3/2016 Ventress et al.
 2016/0345795 A1 12/2016 Manning

FOREIGN PATENT DOCUMENTS

EP 1994869 11/2008
 EP 2543301 9/2013
 GB 2109224 6/1983
 GB 2476811 7/2011
 GB 2529819 9/2016
 JP 03228721 A 10/1991
 JP 05228083 A 9/1993
 JP 2639155 B2 8/1997
 JP 2004222912 A 8/2004
 JP 2006312066 A 11/2006
 KR 100593324 B1 6/2006
 WO 9210967 A1 7/1992
 WO 2009117383 9/2009
 WO 2014177216 11/2014
 WO 2015015166 2/2015
 WO 2015015167 2/2015
 WO 2016034848 3/2016

OTHER PUBLICATIONS

International Search Report and Written Opinion dated Mar. 24, 2017 in corresponding PCT Patent Application No. PCT/US 16/58148, 14 pgs.

* cited by examiner

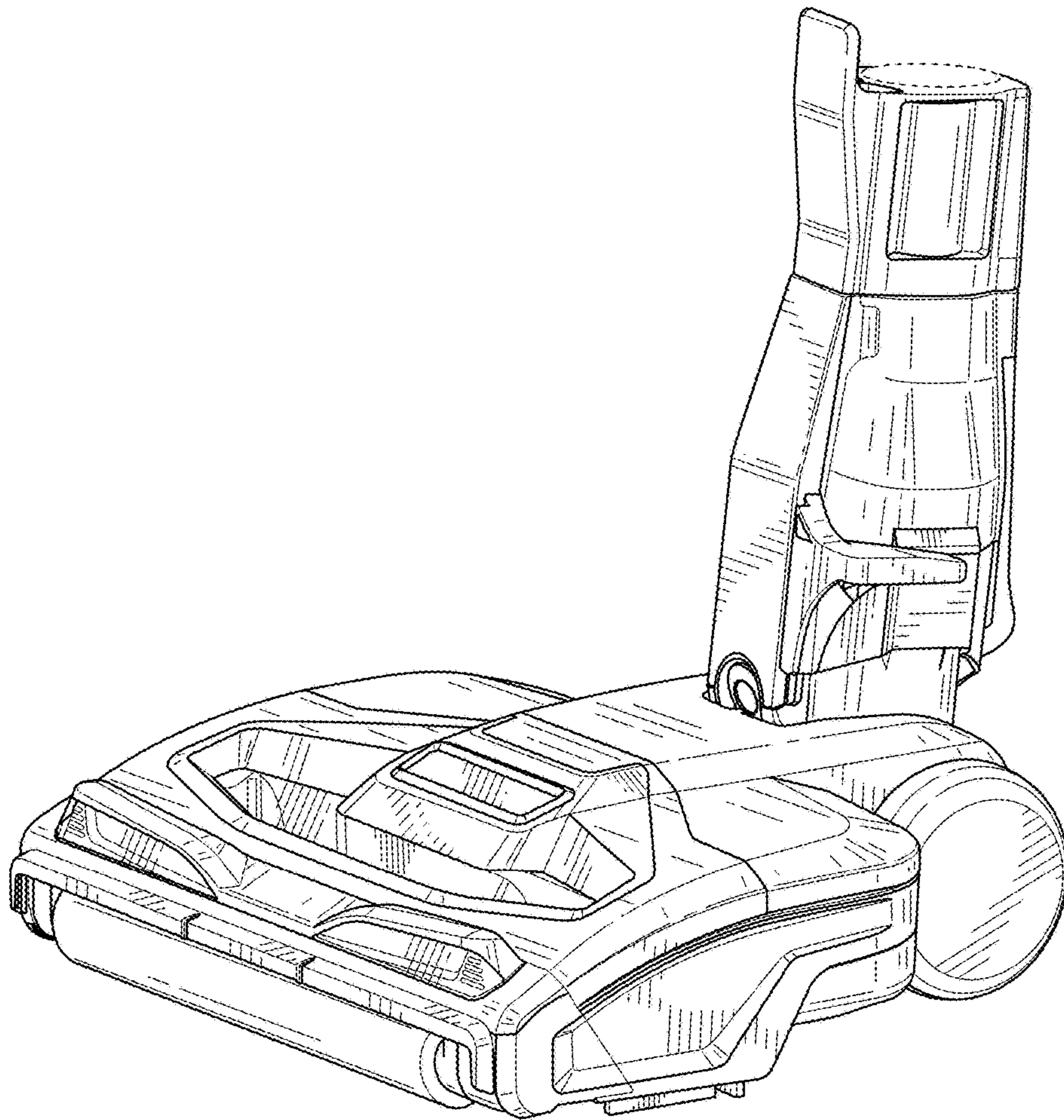


FIG. 1

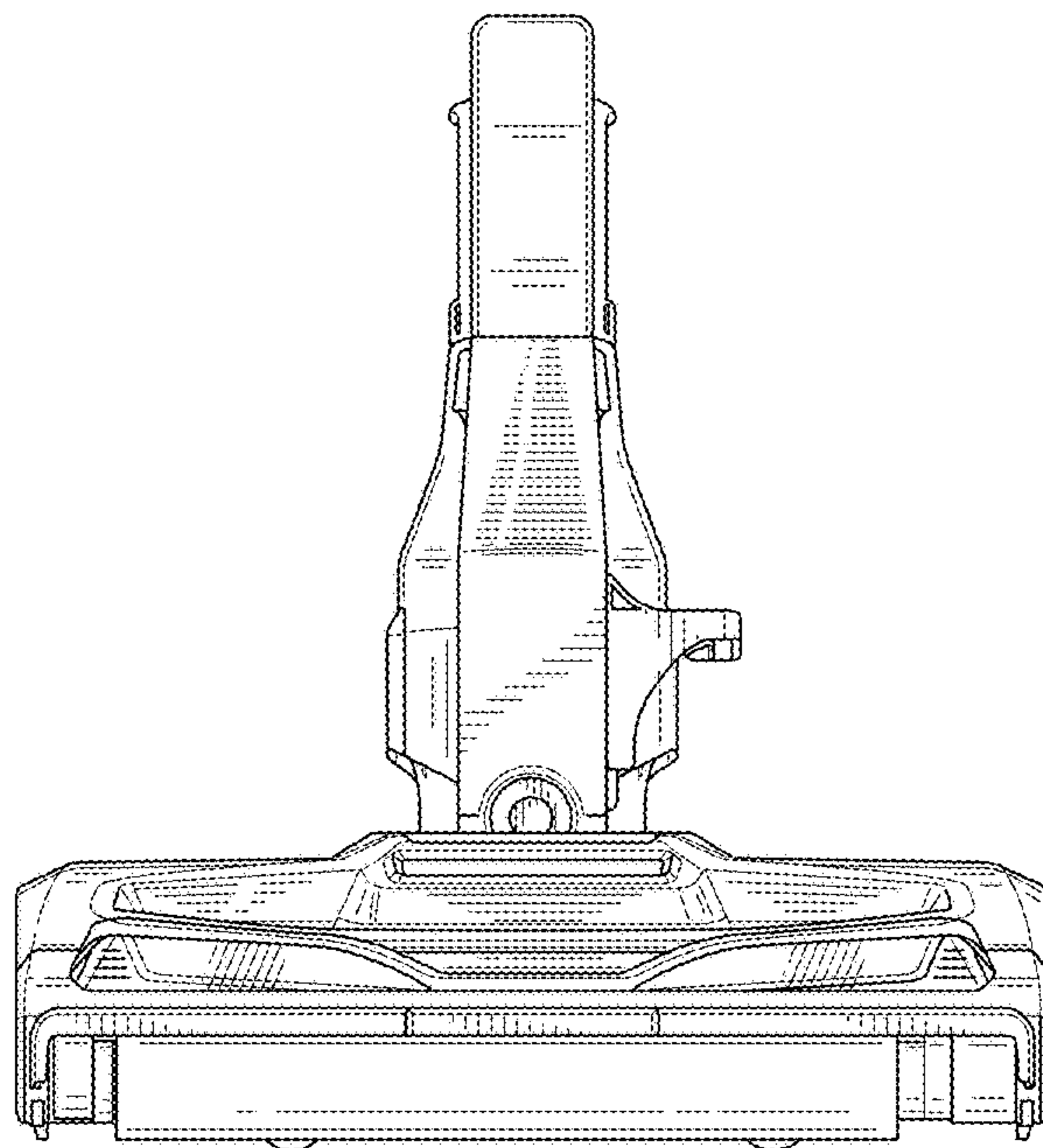


FIG. 2

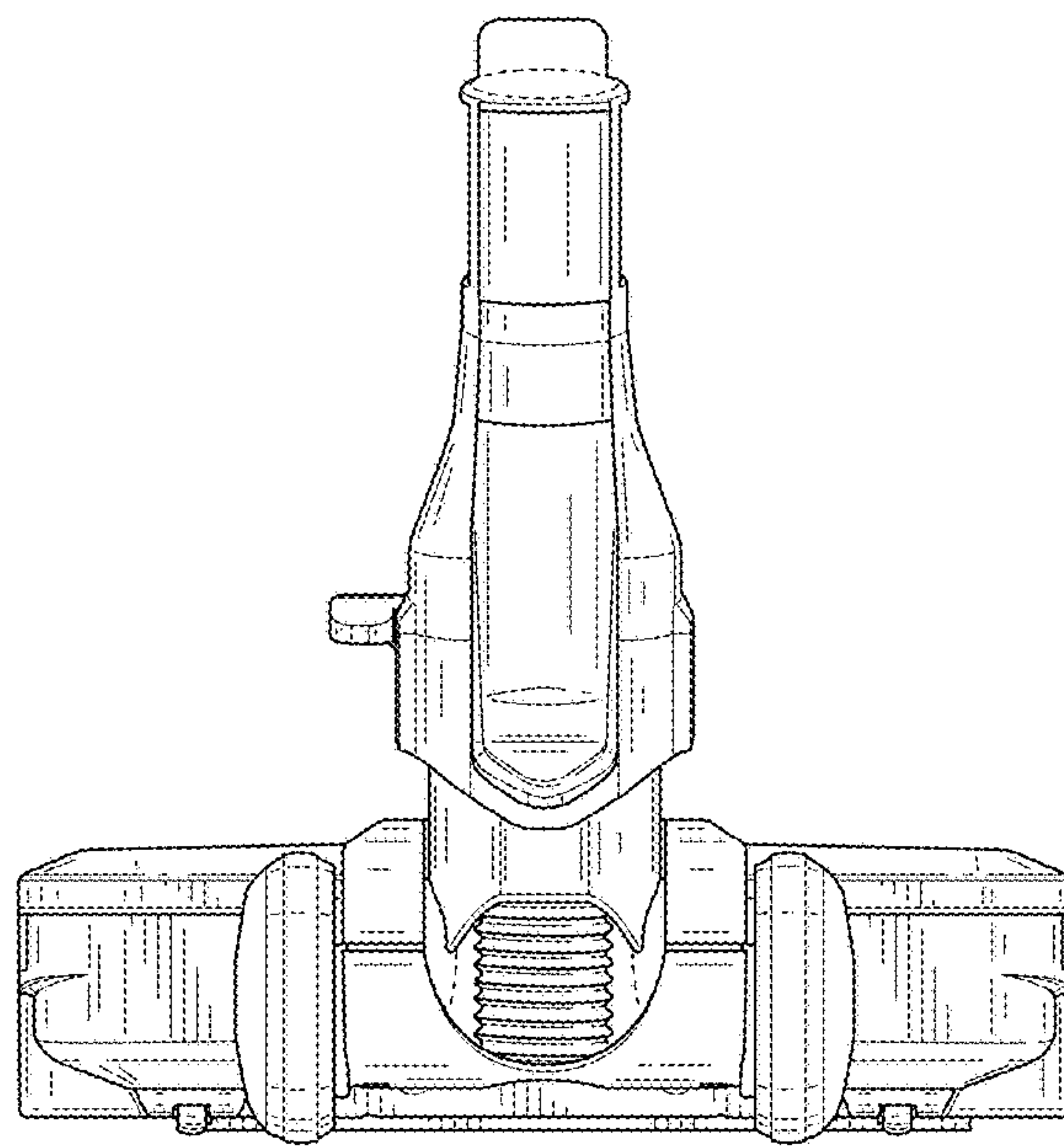


FIG. 3

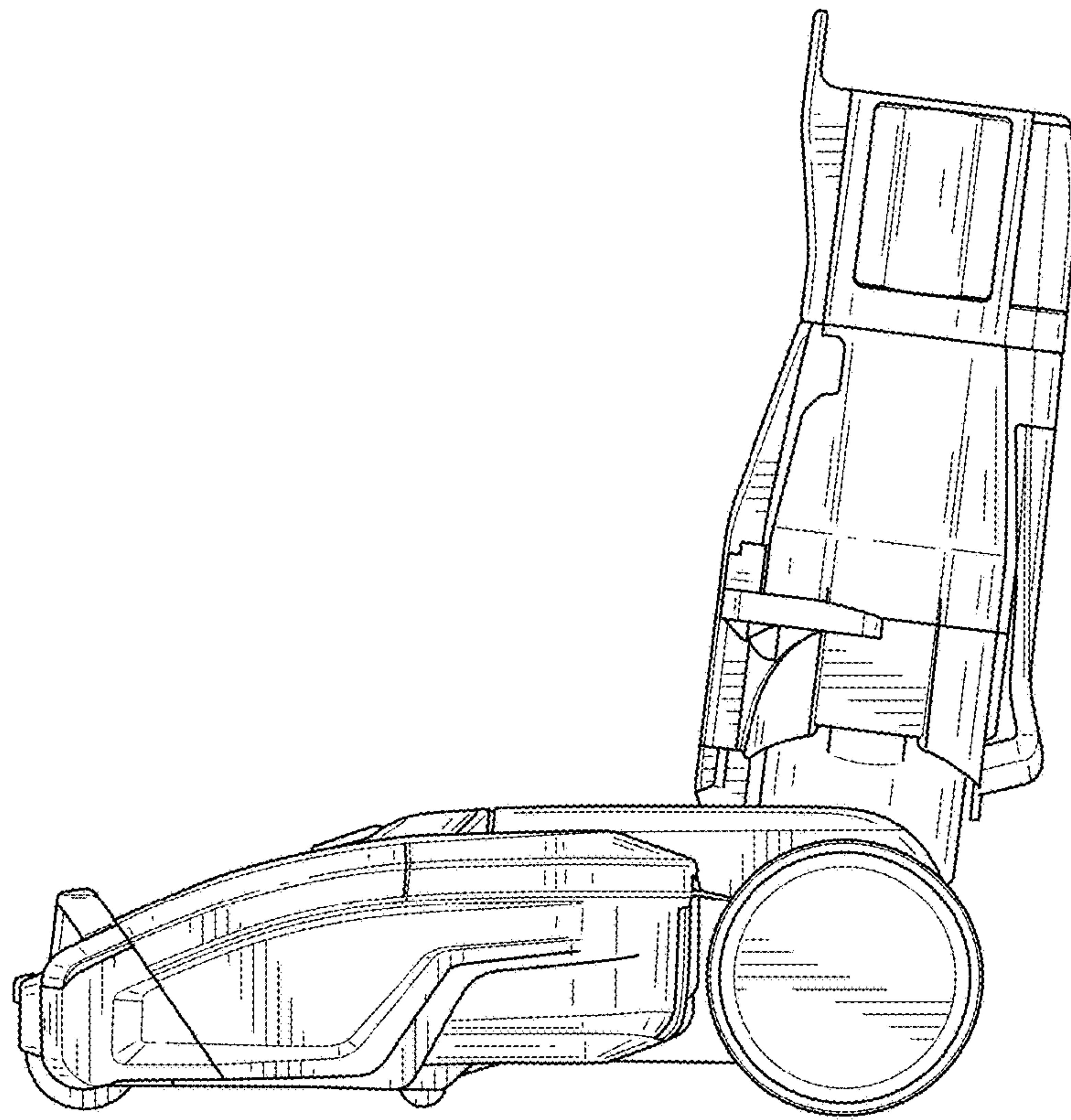


FIG. 4

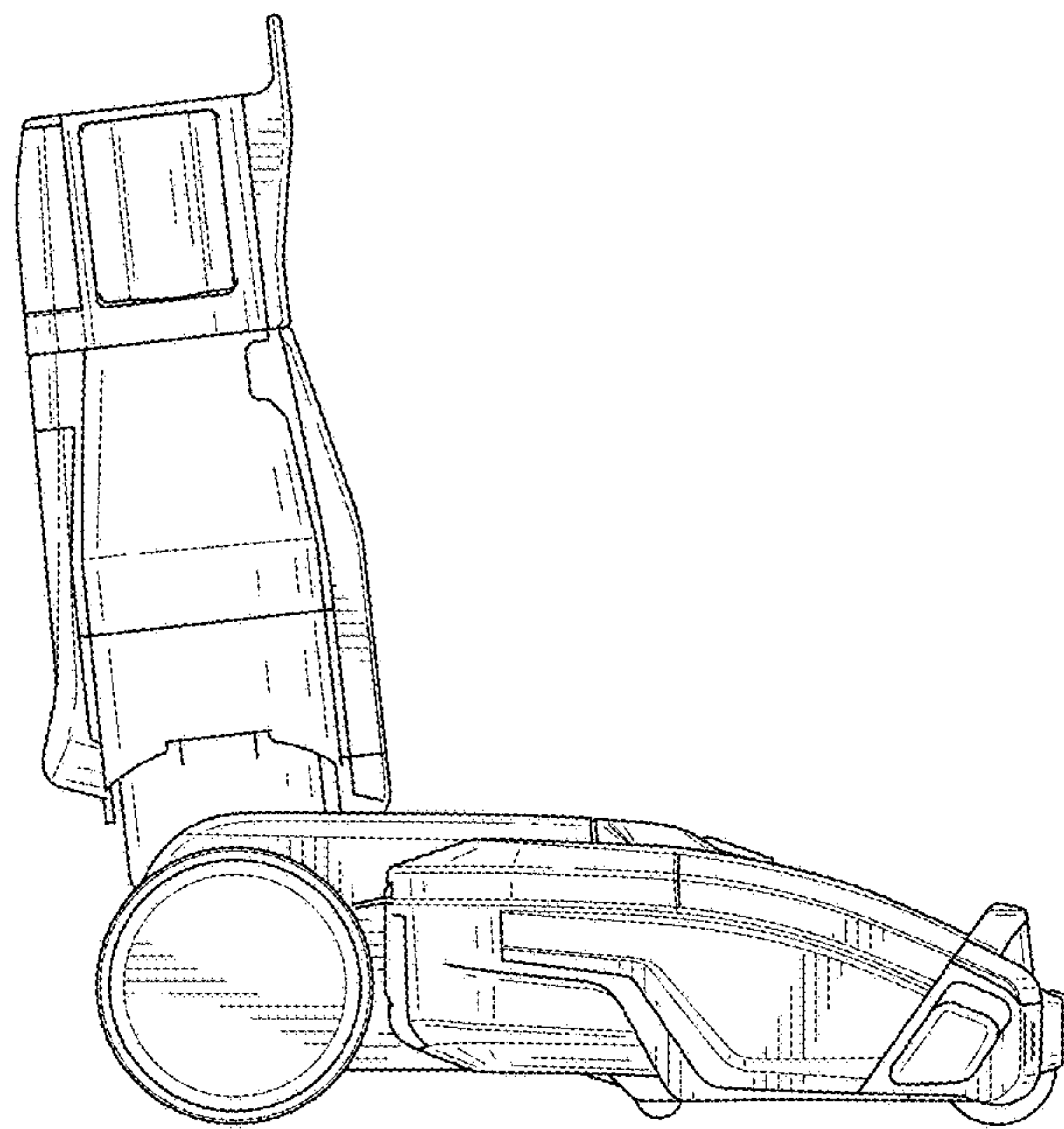


FIG. 5

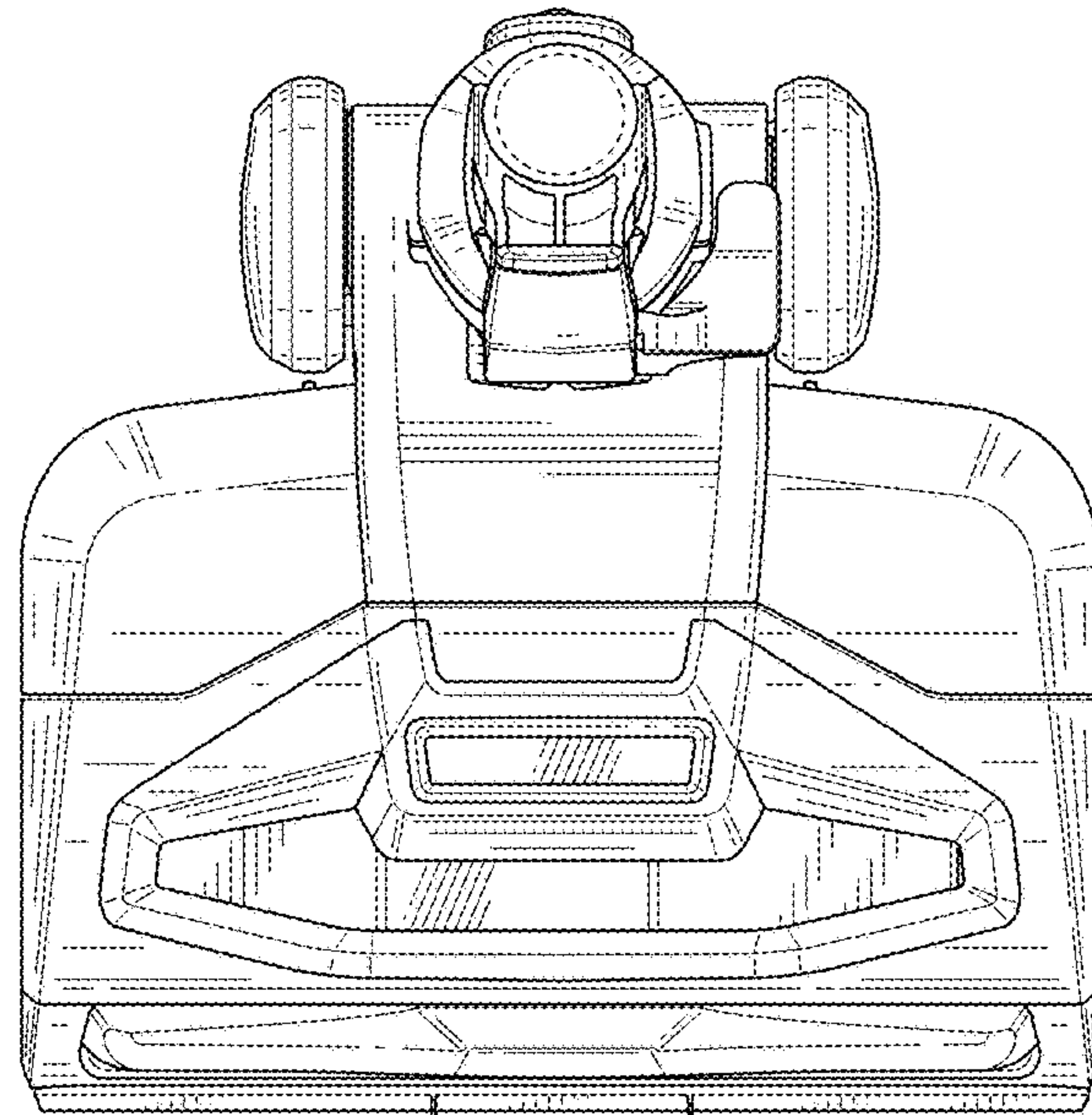


FIG. 6

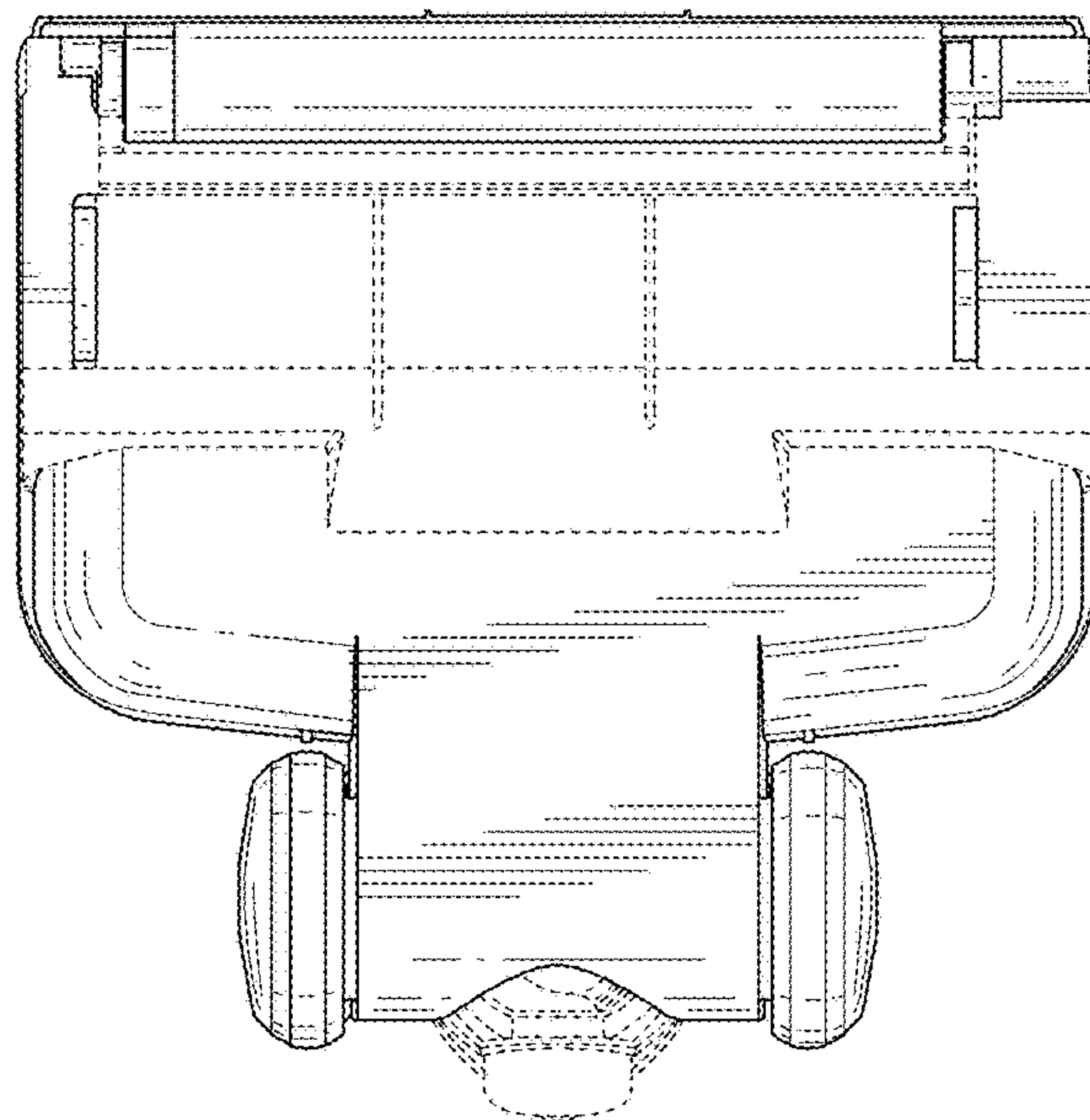


FIG. 7