



US00D846820S

(12) **United States Design Patent**
Bond

(10) **Patent No.:** **US D846,820 S**

(45) **Date of Patent:** **** Apr. 23, 2019**

(54) **VACUUM CLEANER TOOL**

8,424,151 B2 * 4/2013 Lee A47L 5/30
15/319

(71) Applicant: **SHARKNINJA OPERATING LLC,**
Newton, MA (US)

9,113,763 B2 * 8/2015 Porter A47L 9/02
D752,303 S * 3/2016 Kerr D32/32

(Continued)

(72) Inventor: **Brian M. Bond,** Woburn, MA (US)

FOREIGN PATENT DOCUMENTS

(73) Assignee: **SharkNinja Operating LLC,**
Needham, MA (US)

JP 1356019 S 4/2009
JP 1532340 S 8/2015
KR 30-0819448 10/2015

(**) Term: **15 Years**

OTHER PUBLICATIONS

(21) Appl. No.: **29/611,774**

Examiner Notice from Japanese Design No. 2014-027037 dated
Jun. 30, 2015.

(22) Filed: **Jul. 25, 2017**

(Continued)

(51) **LOC (11) Cl.** **15-05**

(52) **U.S. Cl.**

USPC **D32/32**

(58) **Field of Classification Search**

USPC D32/31-34, 20-22, 38-39, 45

CPC A47L 9/02; A47L 9/04; A47L 9/06; A47L

9/0477; A47L 9/2842; A47L 9/0693;

A47L 9/0444; A47L 9/0461; A47L 9/325;

A47L 9/28; A47L 5/362; A47L 5/365;

A47L 5/325; A47L 5/28; A47L 5/30;

A47L 5/34; A47L 5/36; A47L 5/02; A47L

5/24; A47L 11/4044; E04H 4/1654; A46B

13/001; E01H 1/0854

See application file for complete search history.

Primary Examiner — Ruth McInroy

(74) *Attorney, Agent, or Firm* — Grossman Tucker

Perreault & Pflieger, PLLC

(57)

CLAIM

I claim the ornamental design for a vacuum cleaner tool, as
shown and described.

DESCRIPTION

FIG. 1 is a perspective view of a vacuum cleaner tool,
showing the new design;

FIG. 2 is a top view thereof;

FIG. 3 is a bottom view thereof;

FIG. 4 is a left side view thereof;

FIG. 5 is a right side view thereof;

FIG. 6 is a front view thereof;

FIG. 7 is a rear view thereof; and,

FIG. 8 is a bottom perspective view thereof.

The details shown in broken lines form no part of the
claimed design.

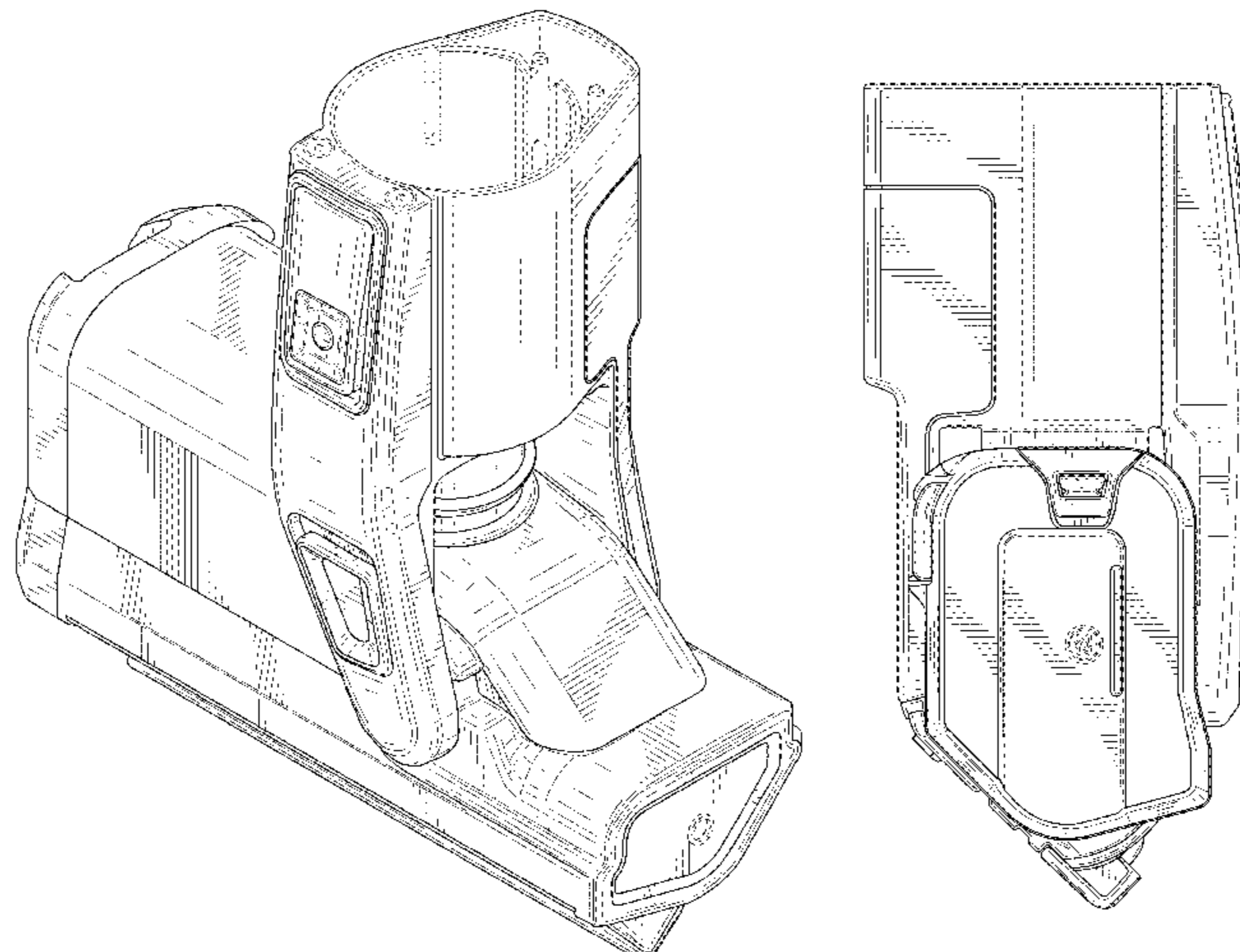
(56)

References Cited

U.S. PATENT DOCUMENTS

D419,733 S	1/2000	Medema	
D515,756 S	2/2006	Allard et al.	
D520,695 S	5/2006	Dyson et al.	
D537,219 S	2/2007	Adams	
D590,112 S	4/2009	Sun	
D590,113 S	4/2009	Benacquisto	
D602,217 S	10/2009	Osborn et al.	
D622,919 S *	8/2010	Wertz	D32/32
7,870,639 B2 *	1/2011	Thomas	A47L 9/06 15/322
D635,315 S *	3/2011	Wertz	D32/32
D679,878 S	4/2013	Chudleigh et al.	

1 Claim, 8 Drawing Sheets



(56)

References Cited

U.S. PATENT DOCUMENTS

2010/0223753 A1 9/2010 Knox et al.

OTHER PUBLICATIONS

Office Action dated Dec. 23, 2015 issued in related U.S. Appl. No. 29/496,056, filed Jul. 9, 2014.

Office Action dated Mar. 28, 2016 issued in related U.S. Appl. No. 29/492,842, filed Jun. 3, 2014.

Office Action dated Dec. 23, 2015 issued in related U.S. Appl. No. 29/494,475, filed Jun. 20, 2014.

Notice of Allowance dated Apr. 22, 2016 issued in related U.S. Appl. No. 29/519,507, filed Mar. 5, 2015.

* cited by examiner

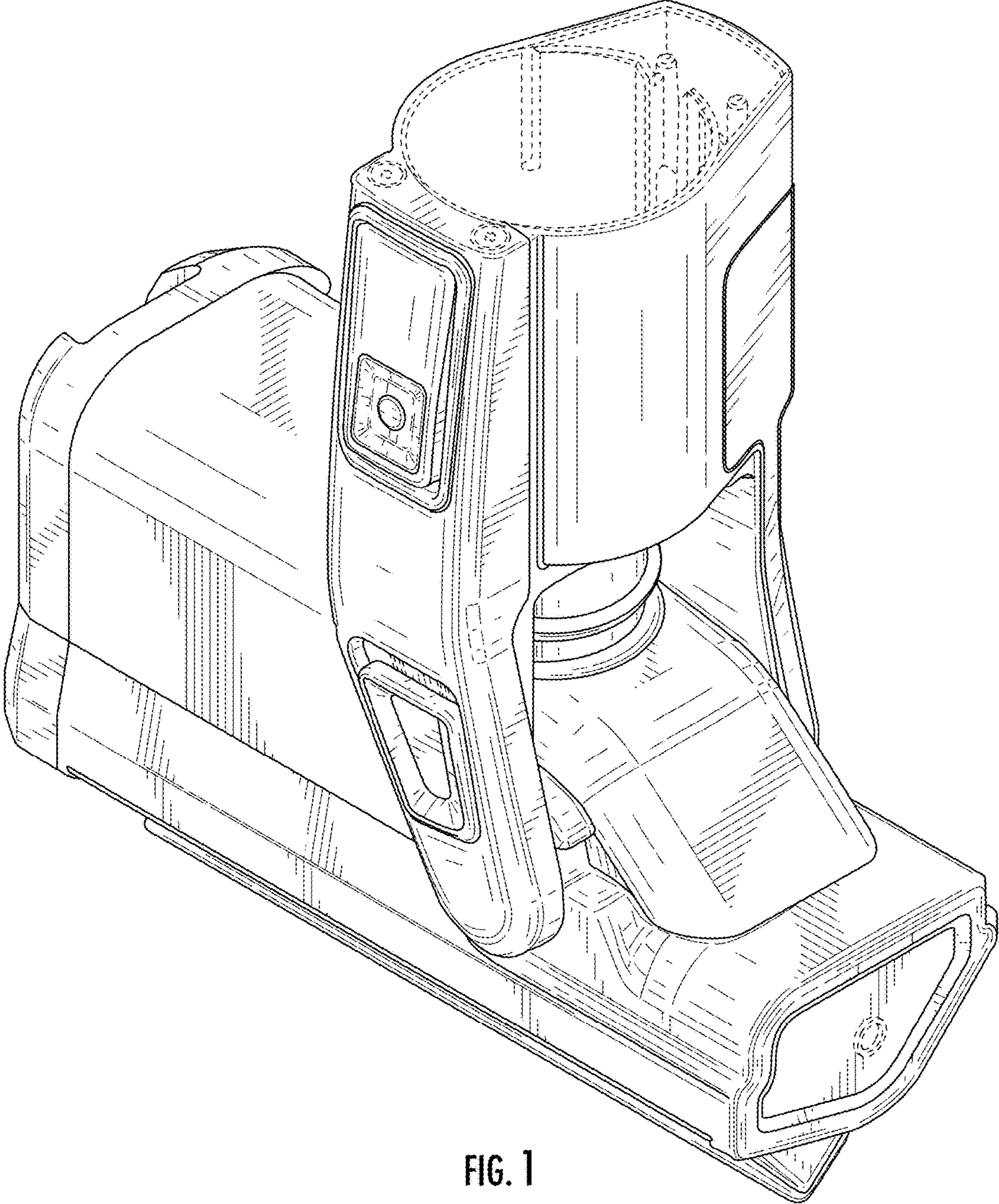


FIG. 1

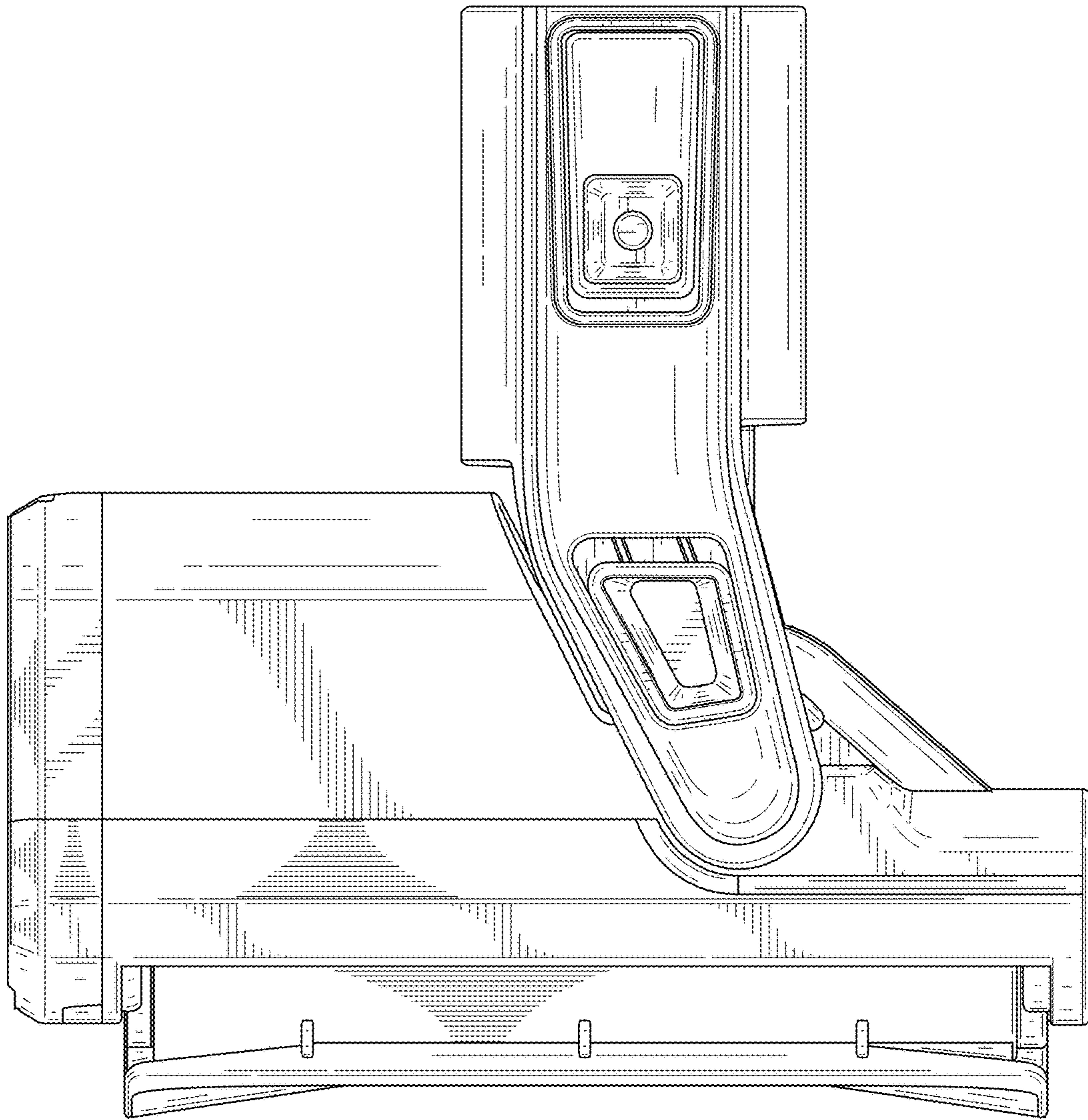


FIG. 2

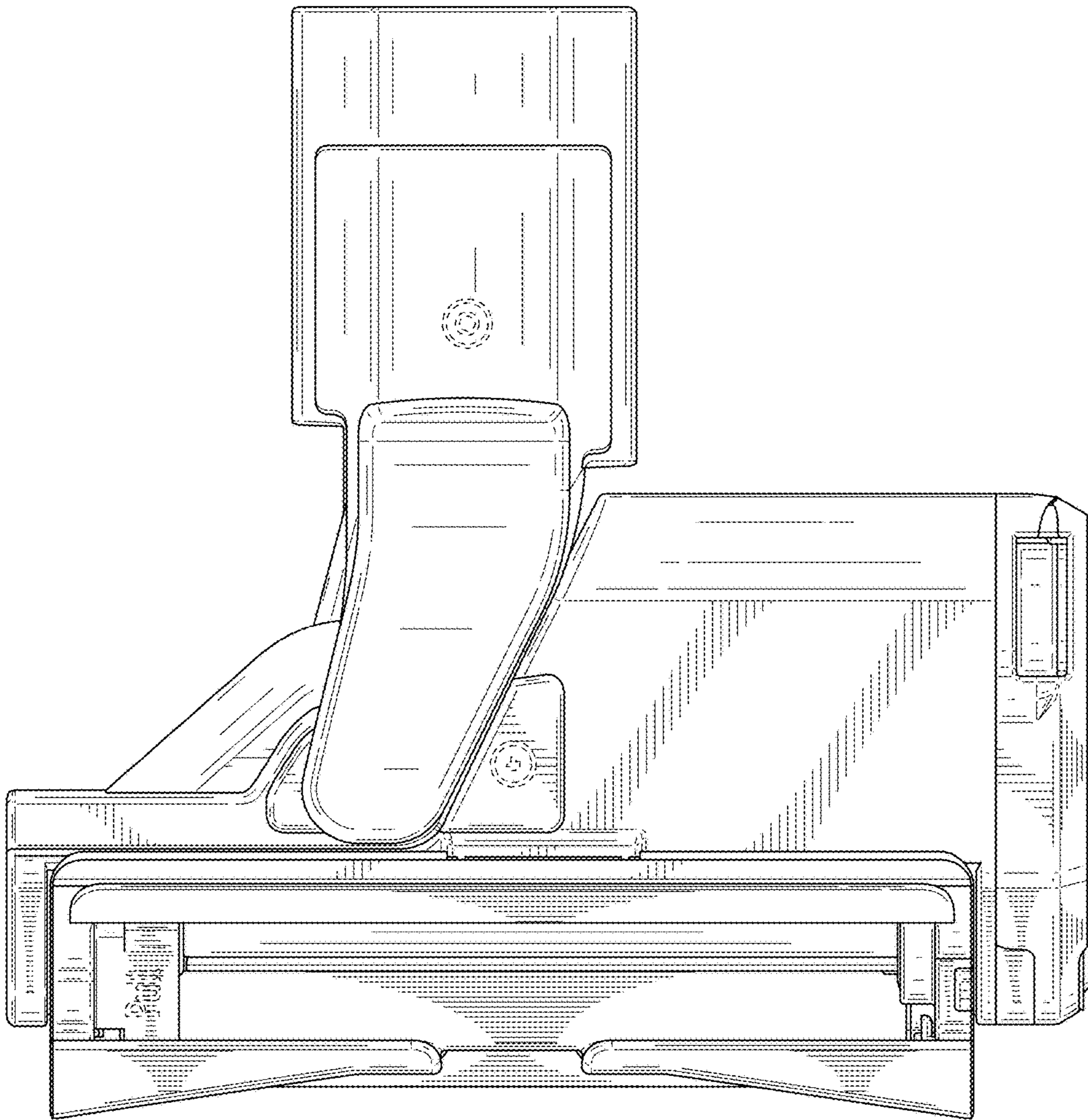


FIG. 3

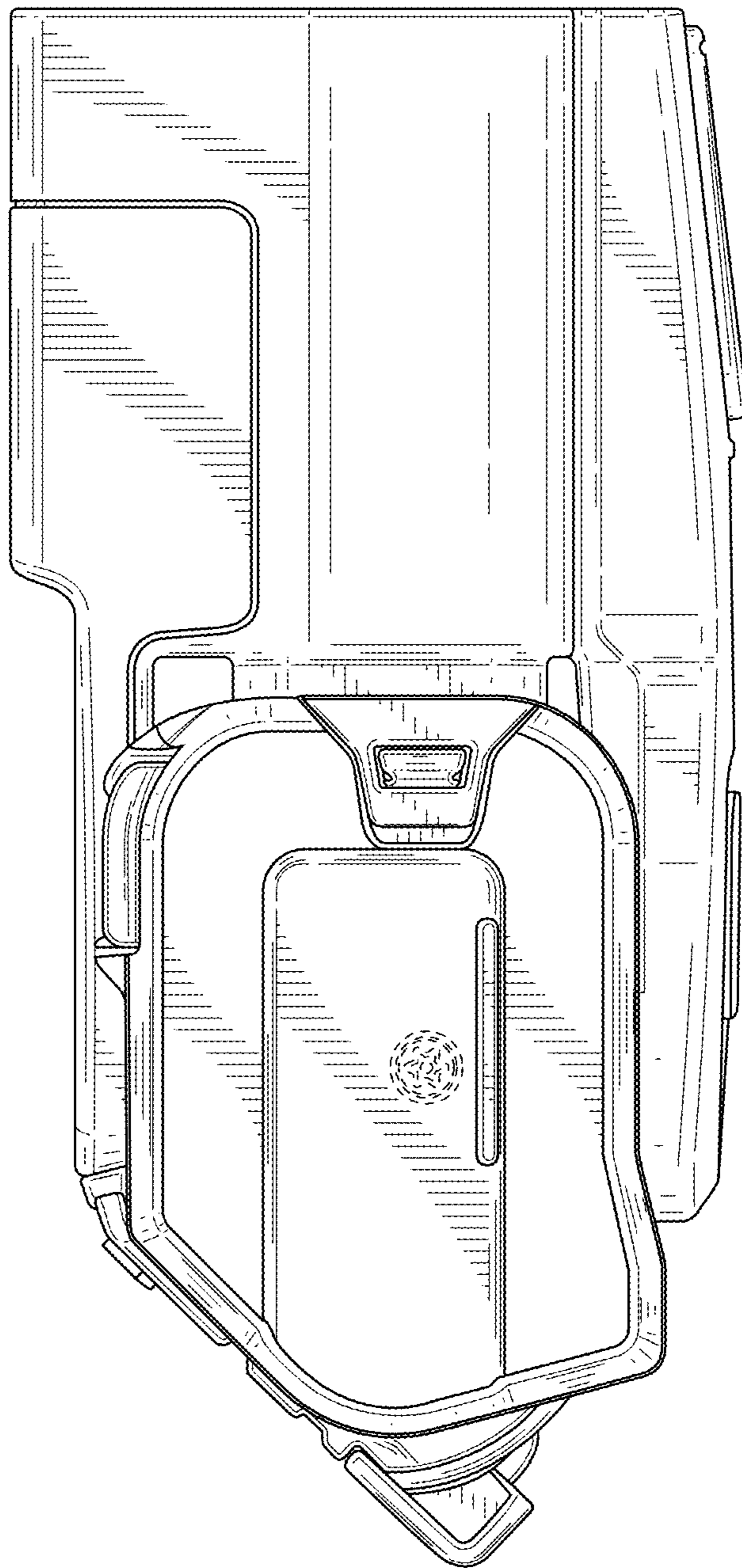


FIG. 4

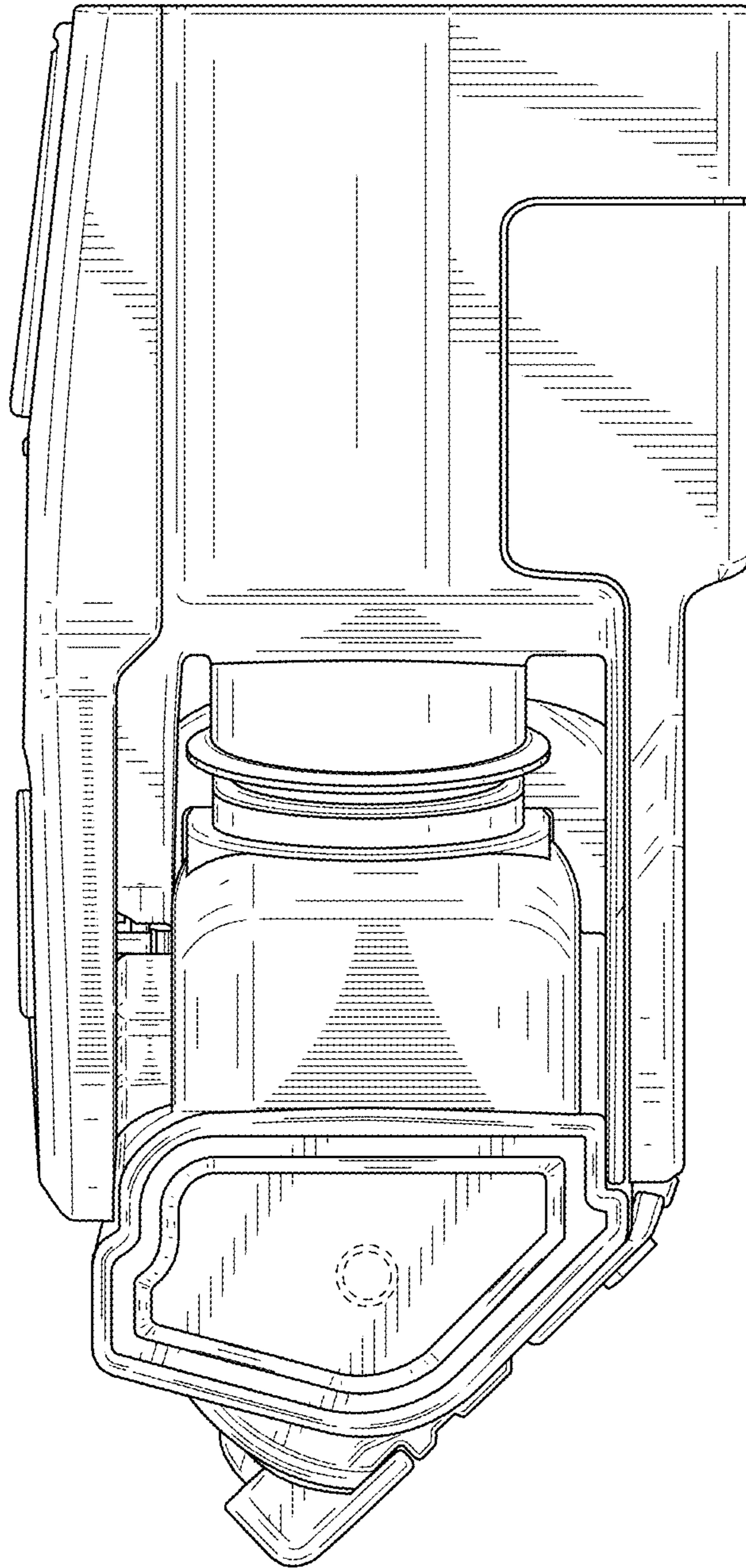


FIG. 5

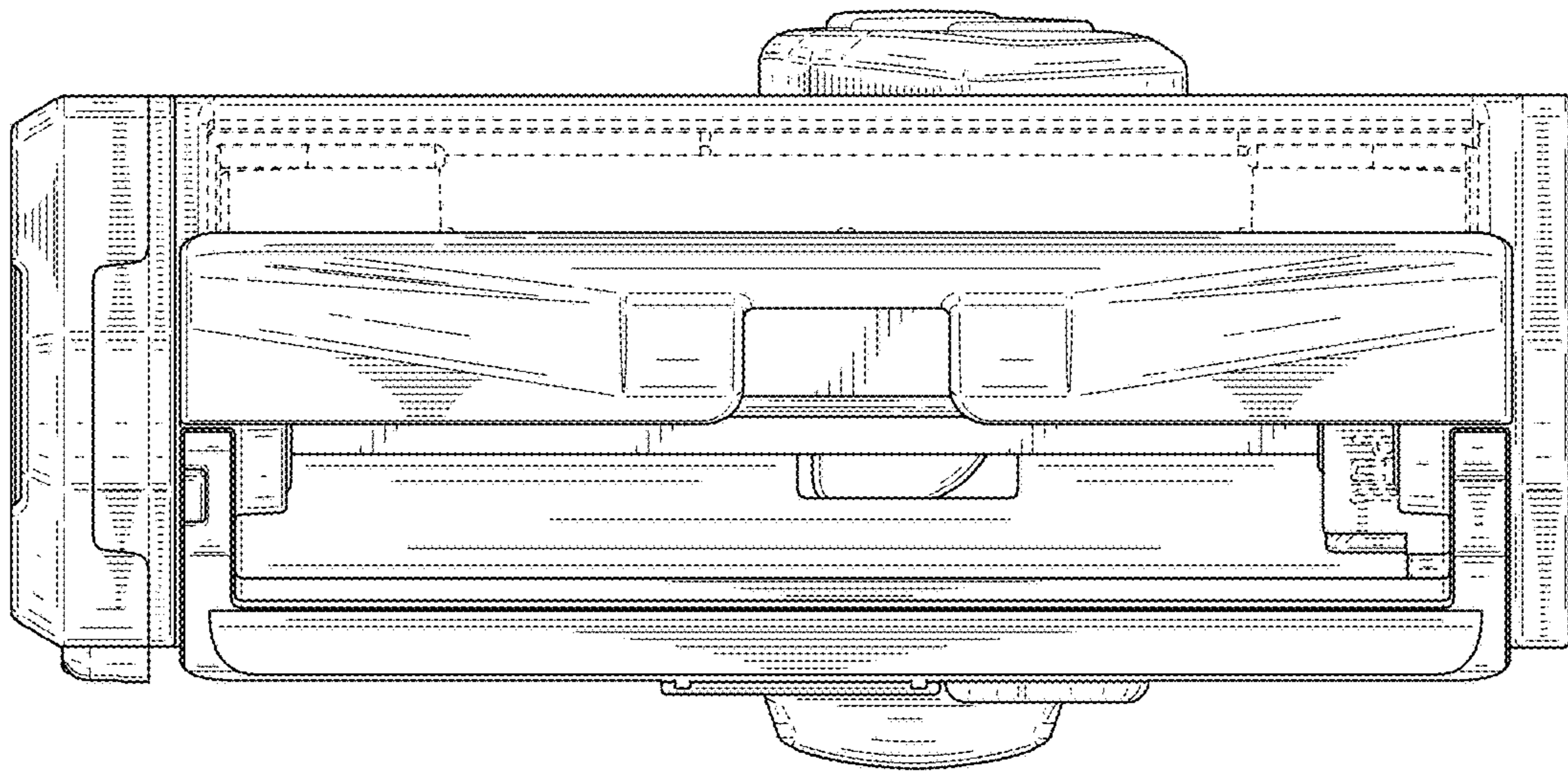


FIG. 6

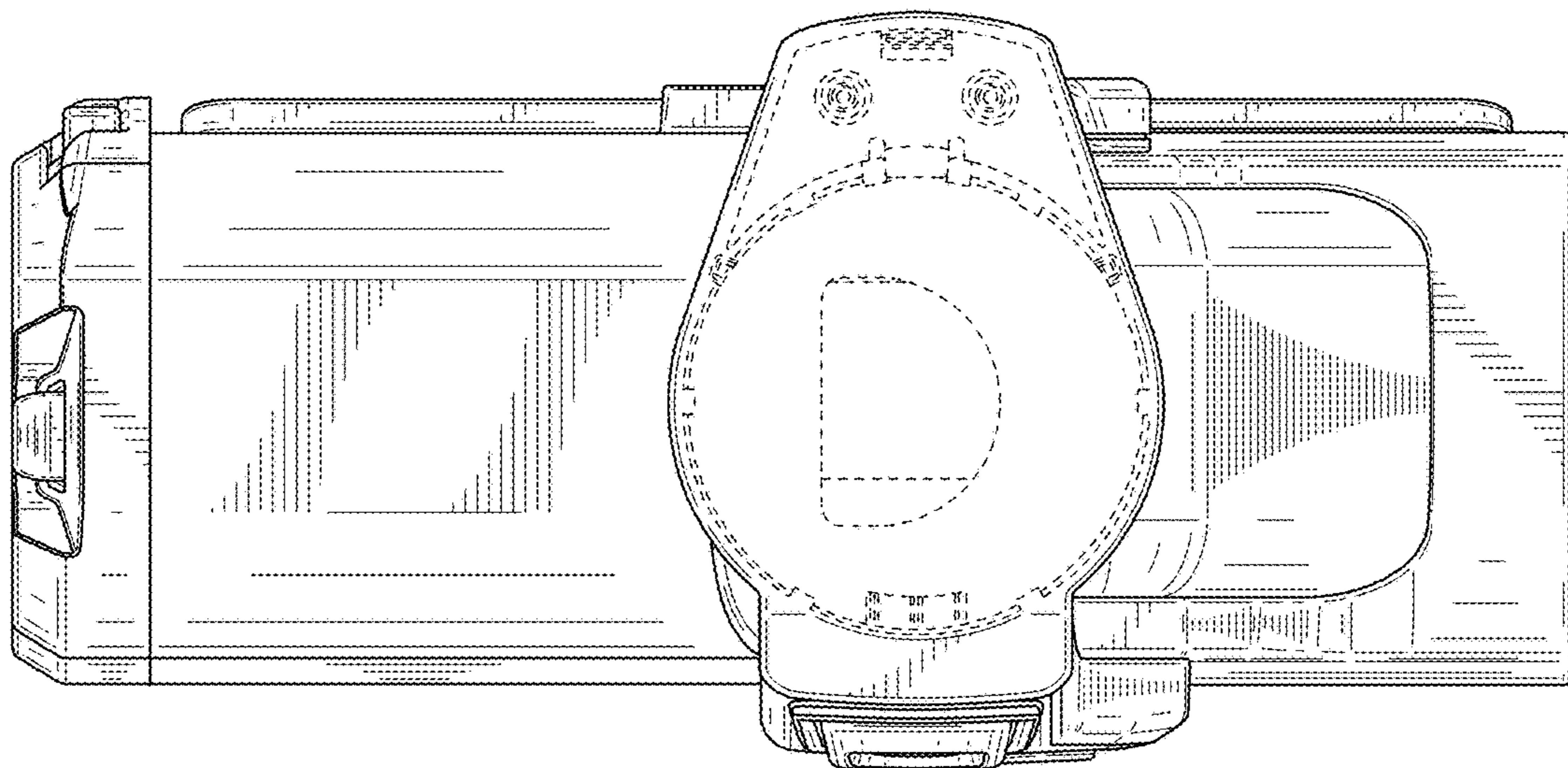


FIG. 7

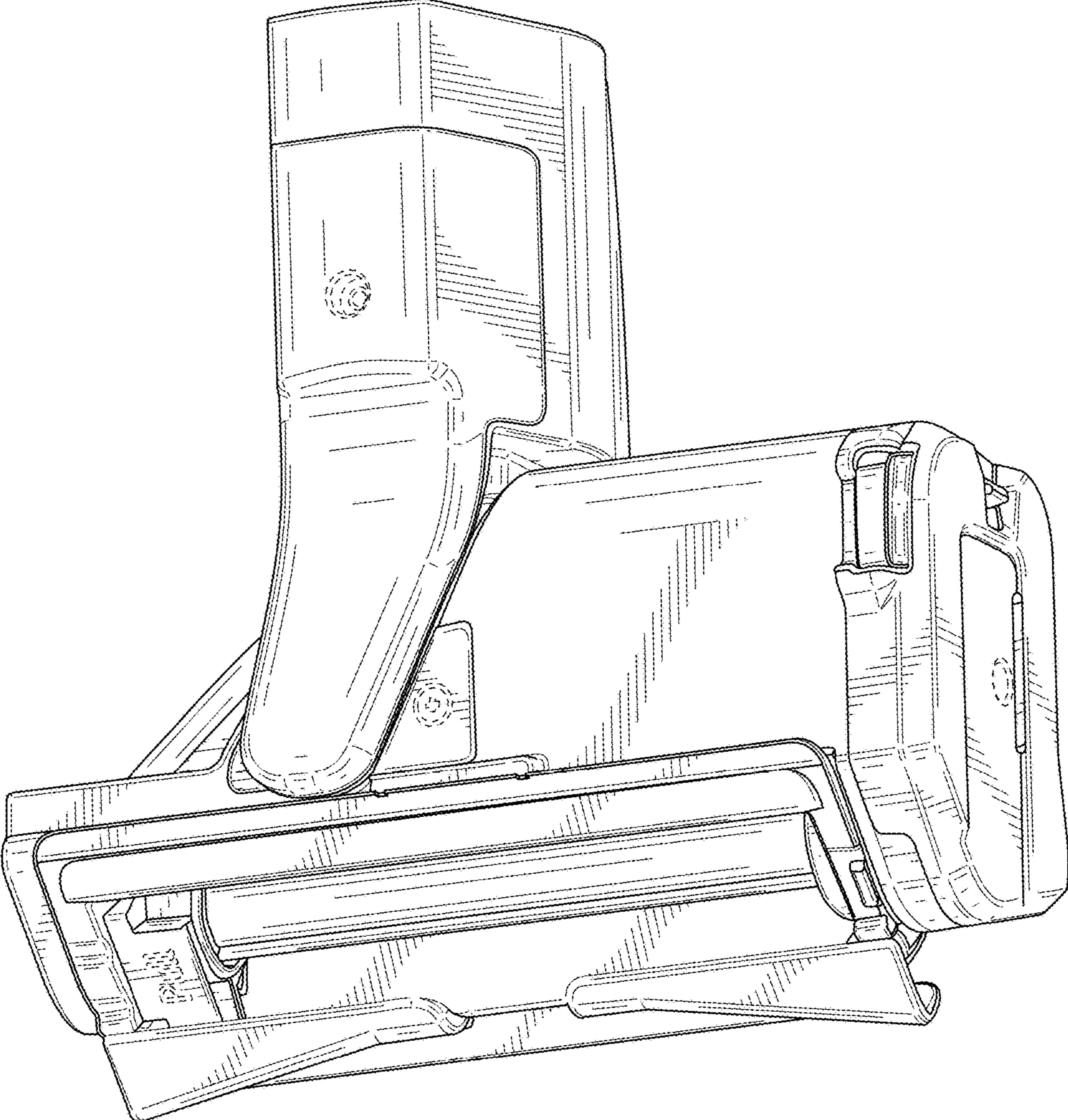


FIG. 8