



US00D846817S

(12) **United States Design Patent**
Li

(10) **Patent No.:** **US D846,817 S**
(45) **Date of Patent:** **** Apr. 23, 2019**

- (54) **DOG TRAINING COLLAR**
- (71) Applicant: **Shenzhen Patpet Technology Co., Ltd.**, Shenzhen (CN)
- (72) Inventor: **Linxian Li**, Shenzhen (CN)
- (73) Assignee: **Shenzhen Patpet Technology Co., Ltd.**, Shenzhen (CN)
- (**) Term: **15 Years**
- (21) Appl. No.: **29/618,403**
- (22) Filed: **Sep. 21, 2017**
- (51) **LOC (11) Cl.** **30-04**
- (52) **U.S. Cl.**
USPC **D30/152**
- (58) **Field of Classification Search**
USPC D30/152, 199; D11/79, 86, 87, 200–201, D11/206–210, 214–216, 222–223, 226, D11/230–238; D10/30, 40, 70, 50, 52, D10/60, 61, 104.1, 104.2; D14/344, 242, D14/203.1, 203.3, 203.5; D24/186, 191; D16/208, 219, 201; D2/321, 624, 627, D2/639–640; 119/863; 24/178
CPC A01K 11/006; A01K 11/008; A01K 13/00; A01K 15/021; A01K 15/022; A01K 27/00; A01K 27/001; A01K 27/005; A01K 27/009; A01K 27/008; A01K 27/006; A01K 29/00
See application file for complete search history.

- D661,846 S * 6/2012 Miller D30/152
- D666,367 S * 8/2012 Miller D30/152
- D673,334 S * 12/2012 Guo D30/152
- 8,336,504 B1 * 12/2012 Geis 119/794
- D788,999 S * 6/2017 Zinn D30/152
- D798,003 S * 9/2017 Dong D30/199

(Continued)

FOREIGN PATENT DOCUMENTS

CN 303398077 * 9/2015

OTHER PUBLICATIONS

Shenzhen Design No Harm No Bark Eco-Friendly Feature Dog Training Collar Personalized, no date available [online], [retrieved Oct. 25, 2018], Available from Internet, URL: <https://wholesalerlibaba.com/product-detail/Shenzhen-Design-No-Harm-No-Bark_60787042705.html>.*

Primary Examiner — Barbara Fox
Assistant Examiner — Mary C Ramirez
(74) *Attorney, Agent, or Firm* — Yanling Jiang; JiangIP, LLC

(57) **CLAIM**

The ornamental design for a dog training collar, as shown and described.

DESCRIPTION

FIG. 1 is a perspective view showing a dog training collar. FIG. 2 is a front elevation view thereof; FIG. 3 is a rear elevation view thereof; FIG. 4 is a top plan view thereof; FIG. 5 is a bottom plan view thereof; FIG. 6 is a left side view thereof; and, FIG. 7 is a right side view thereof.

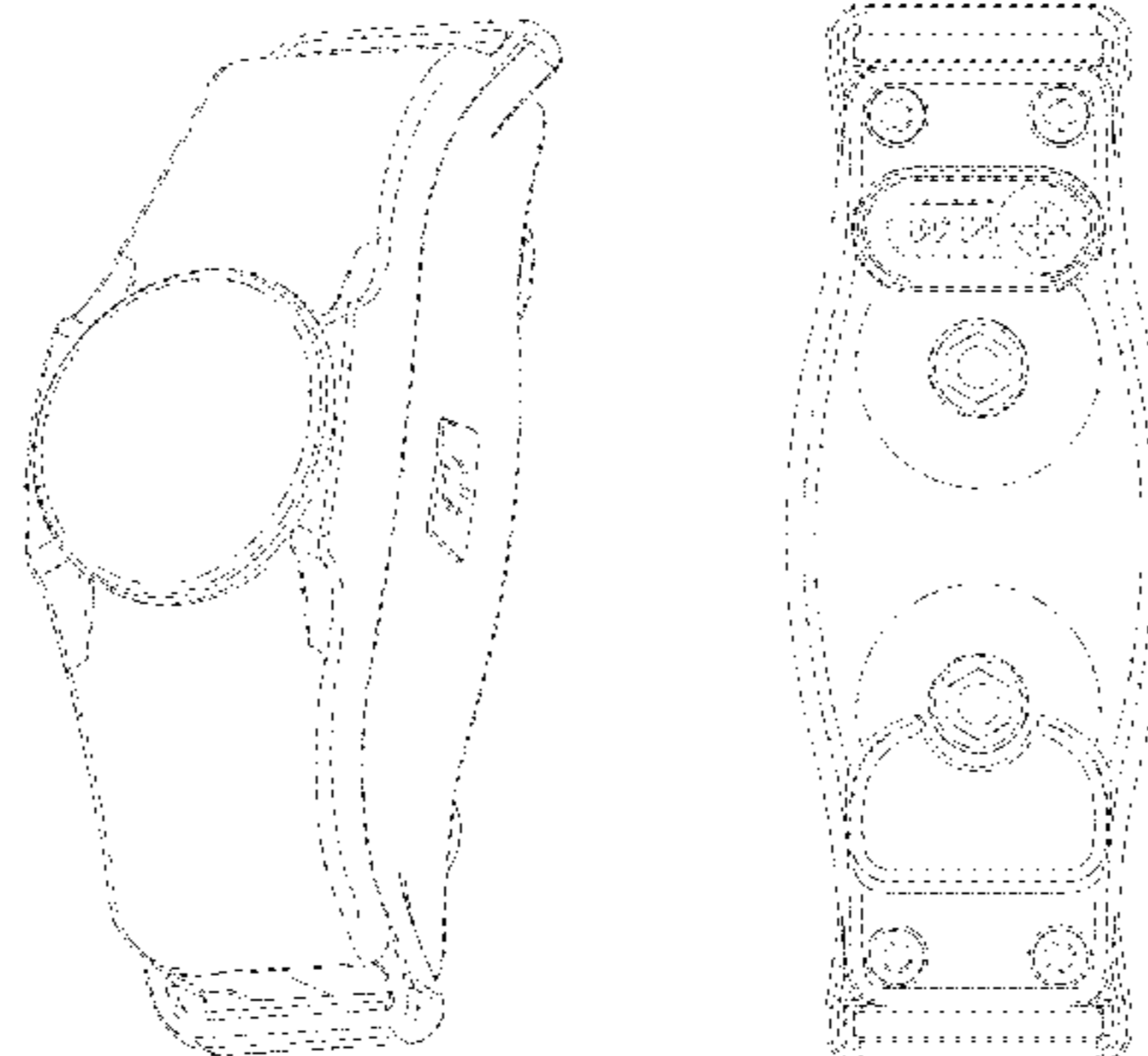
The broken lines shown in the drawings depict portions of the dog training collar that form no part of the claimed design.

1 Claim, 7 Drawing Sheets

(56) **References Cited**

U.S. PATENT DOCUMENTS

- D473,481 S * 4/2003 So D10/104.1
- D478,830 S * 8/2003 So D30/152
- D482,979 S * 12/2003 So D10/104.1
- D515,251 S * 2/2006 Silverlieb D30/152
- D520,894 S * 5/2006 Zakharyan D30/199
- D526,590 S * 8/2006 So D10/104.1
- 7,685,971 B1 * 3/2010 Bethke A01K 15/021
119/719
- D632,853 S * 2/2011 Hardi D30/144



(56)

References Cited

U.S. PATENT DOCUMENTS

D811,016 S *	2/2018	Liu	D30/152
D816,918 S *	5/2018	Li	D30/152
D822,915 S *	7/2018	McKee	D30/152
D822,921 S *	7/2018	Wen	D30/199
D822,922 S *	7/2018	Wen	D30/199
D828,965 S *	9/2018	Wen	D30/199
2003/0122678 A1 *	7/2003	Duncan	A01K 15/021 340/573.3
2004/0154556 A1 *	8/2004	Masterson	A01K 27/004 119/794
2009/0255486 A1 *	10/2009	Thompson	A01K 27/004 119/794
2011/0205069 A1 *	8/2011	Liu	A01K 27/006 340/573.3
2013/0180467 A1 *	7/2013	Wong	A01K 15/022 119/718
2016/0100552 A1 *	4/2016	So	A01K 15/021 119/719

* cited by examiner

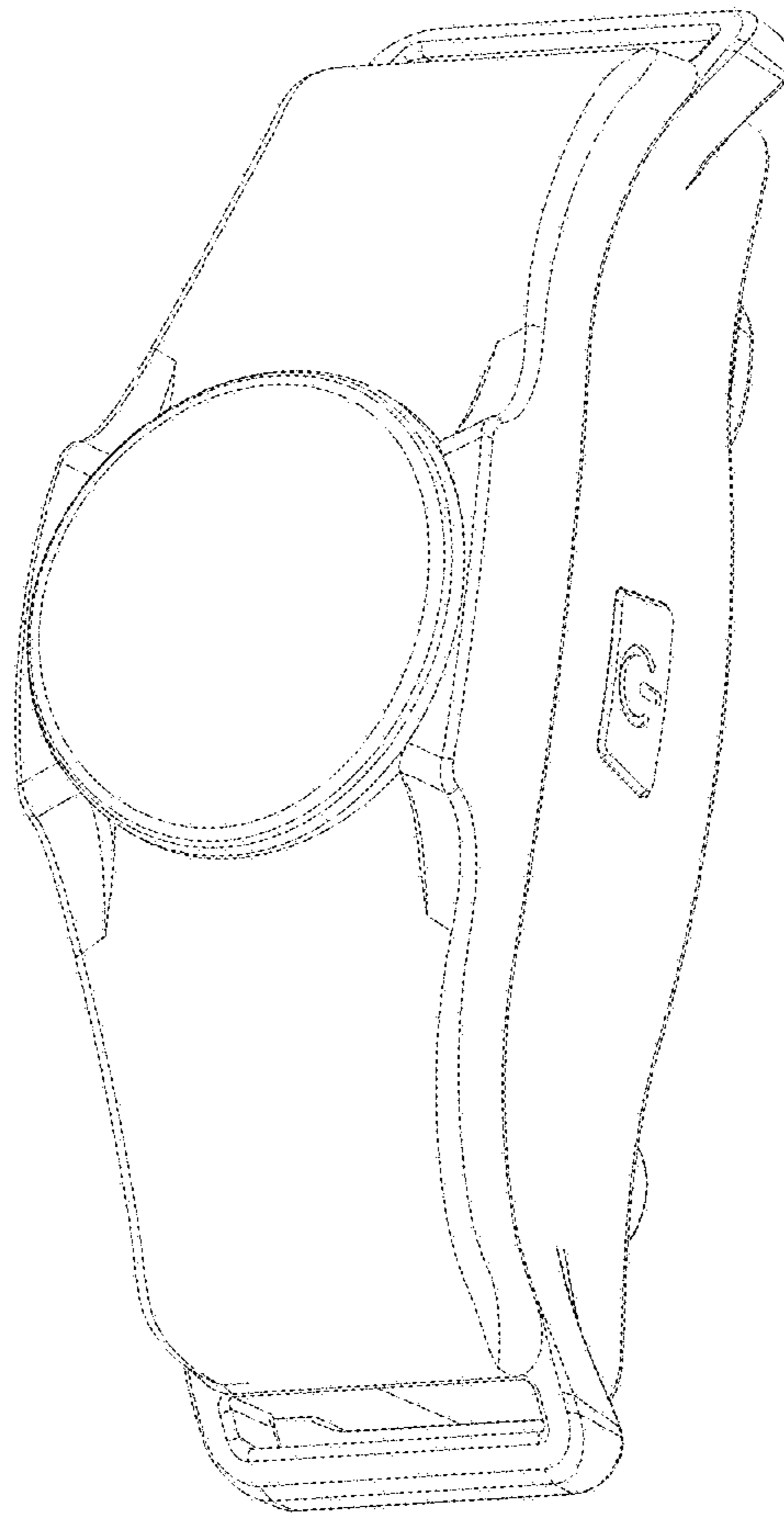


Fig. 1

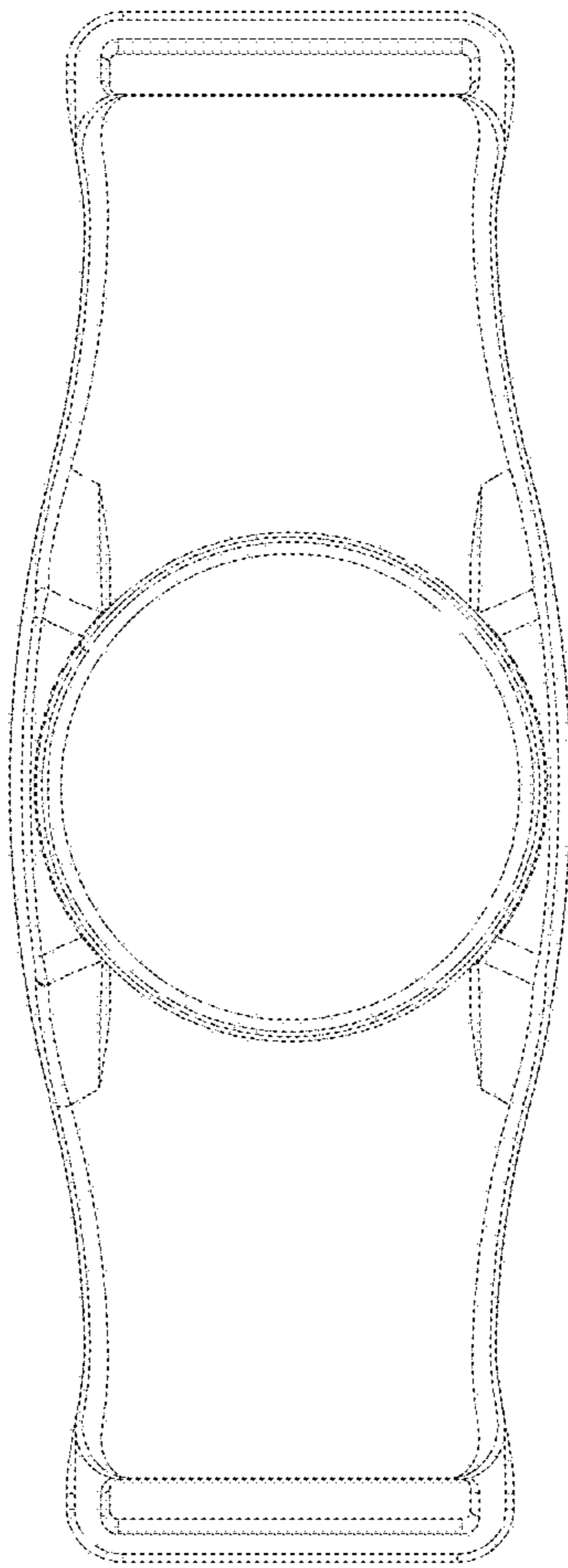


Fig. 2

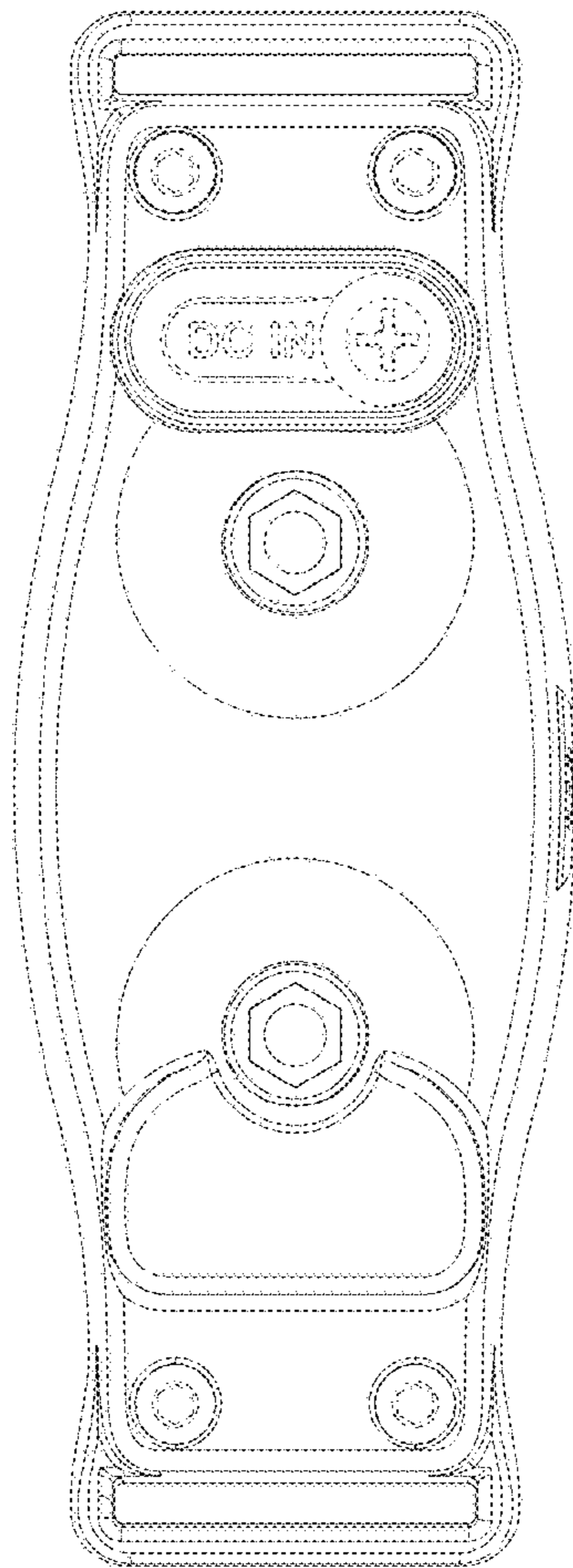


Fig. 3

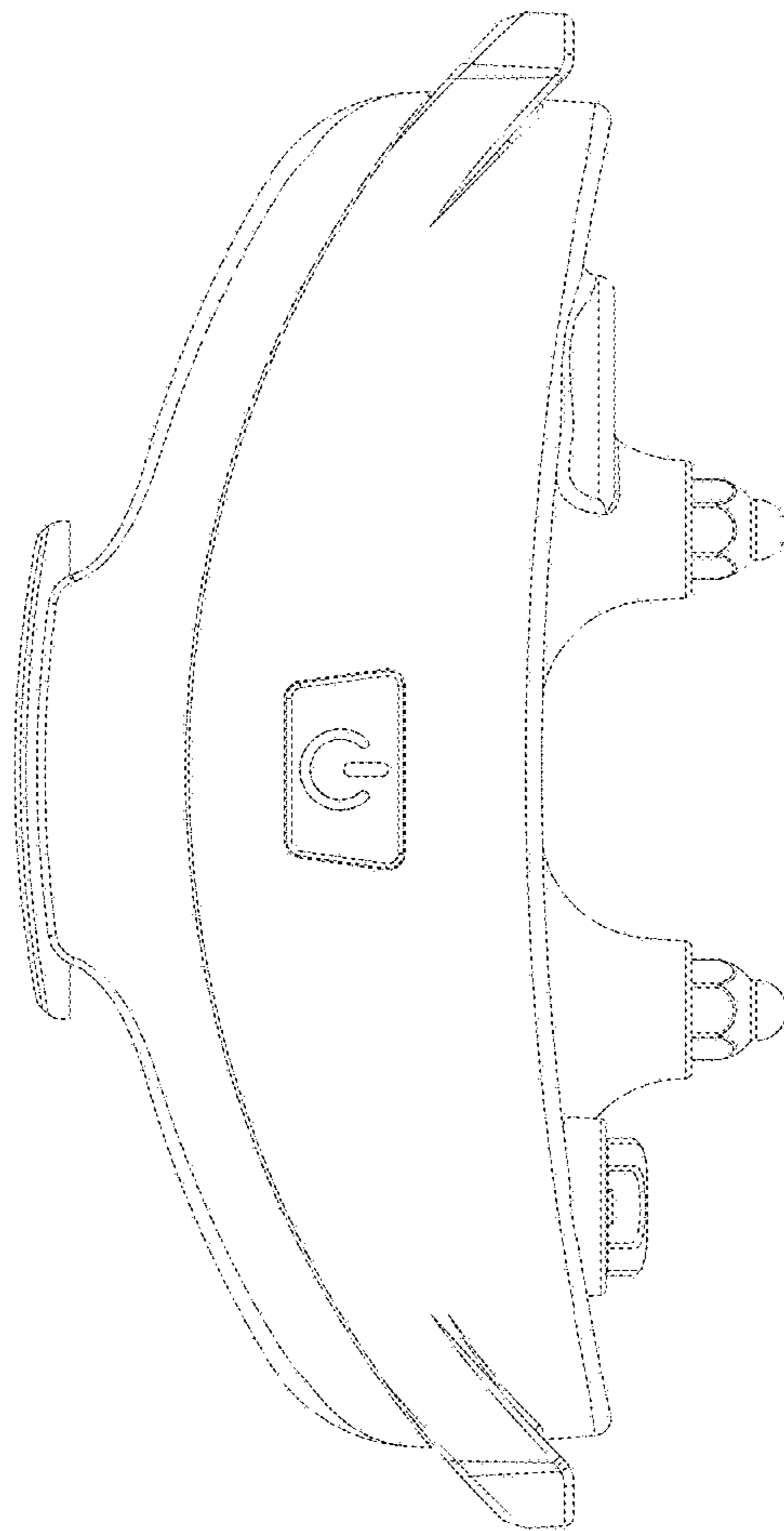


Fig. 4

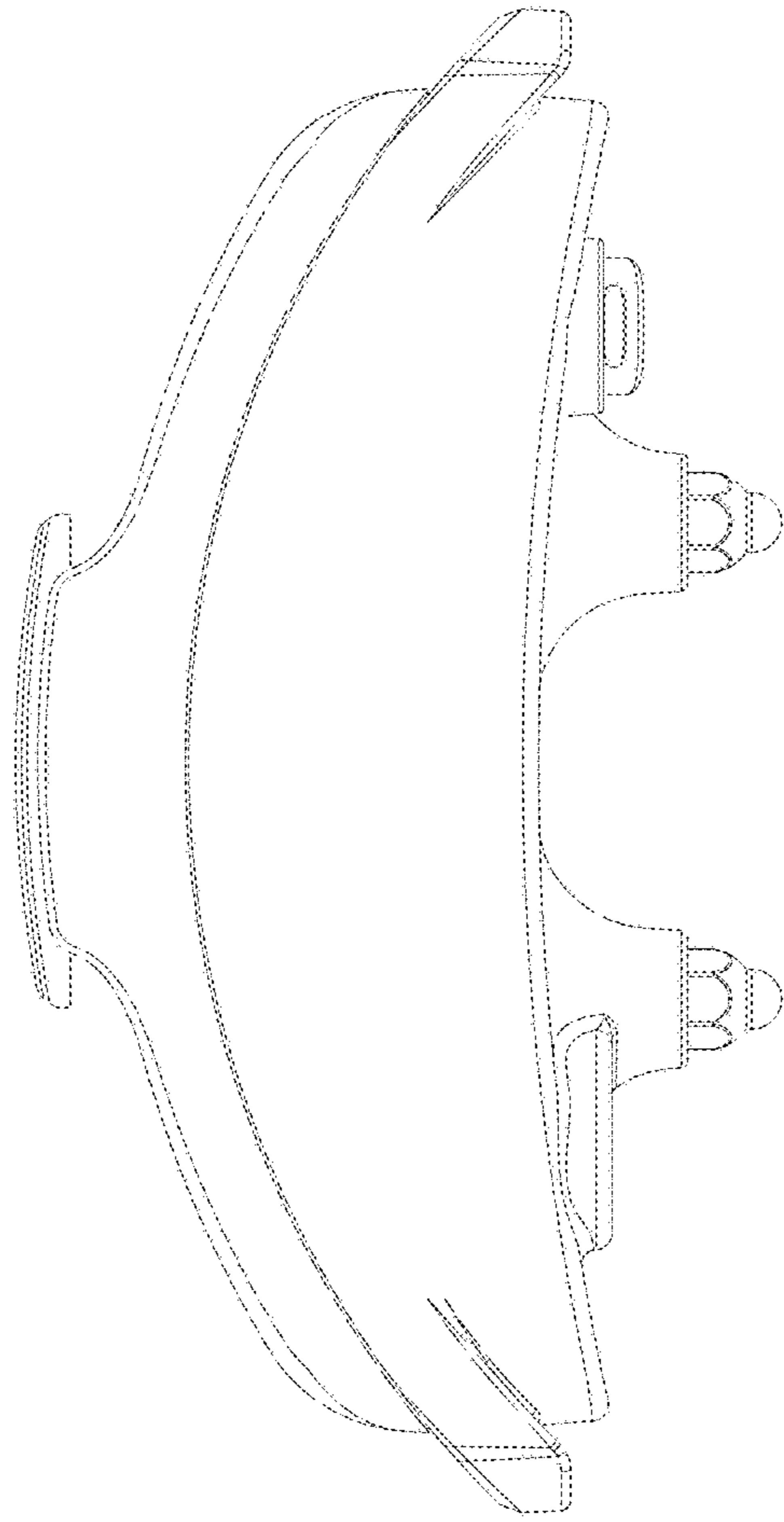


Fig. 5

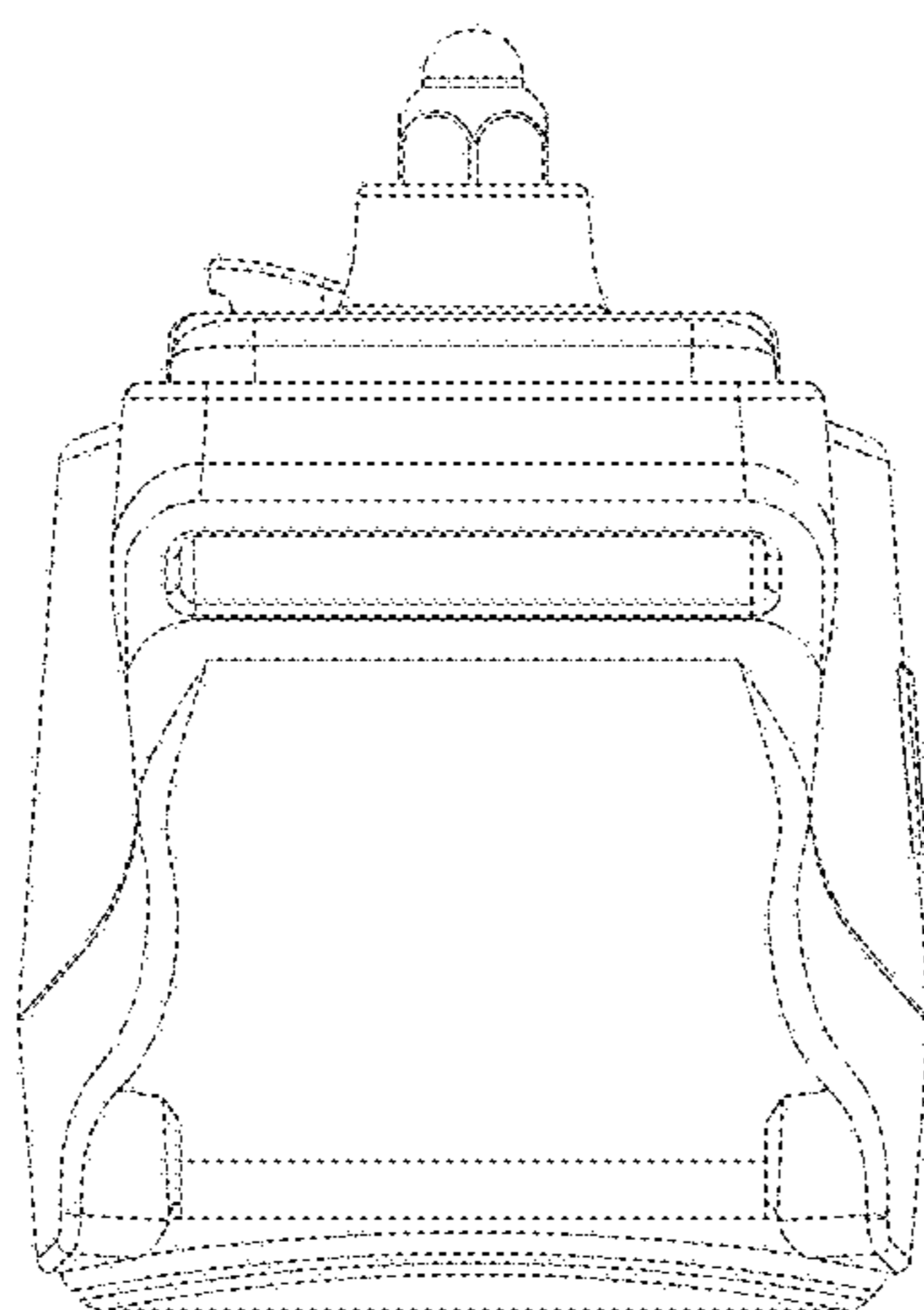


Fig. 6

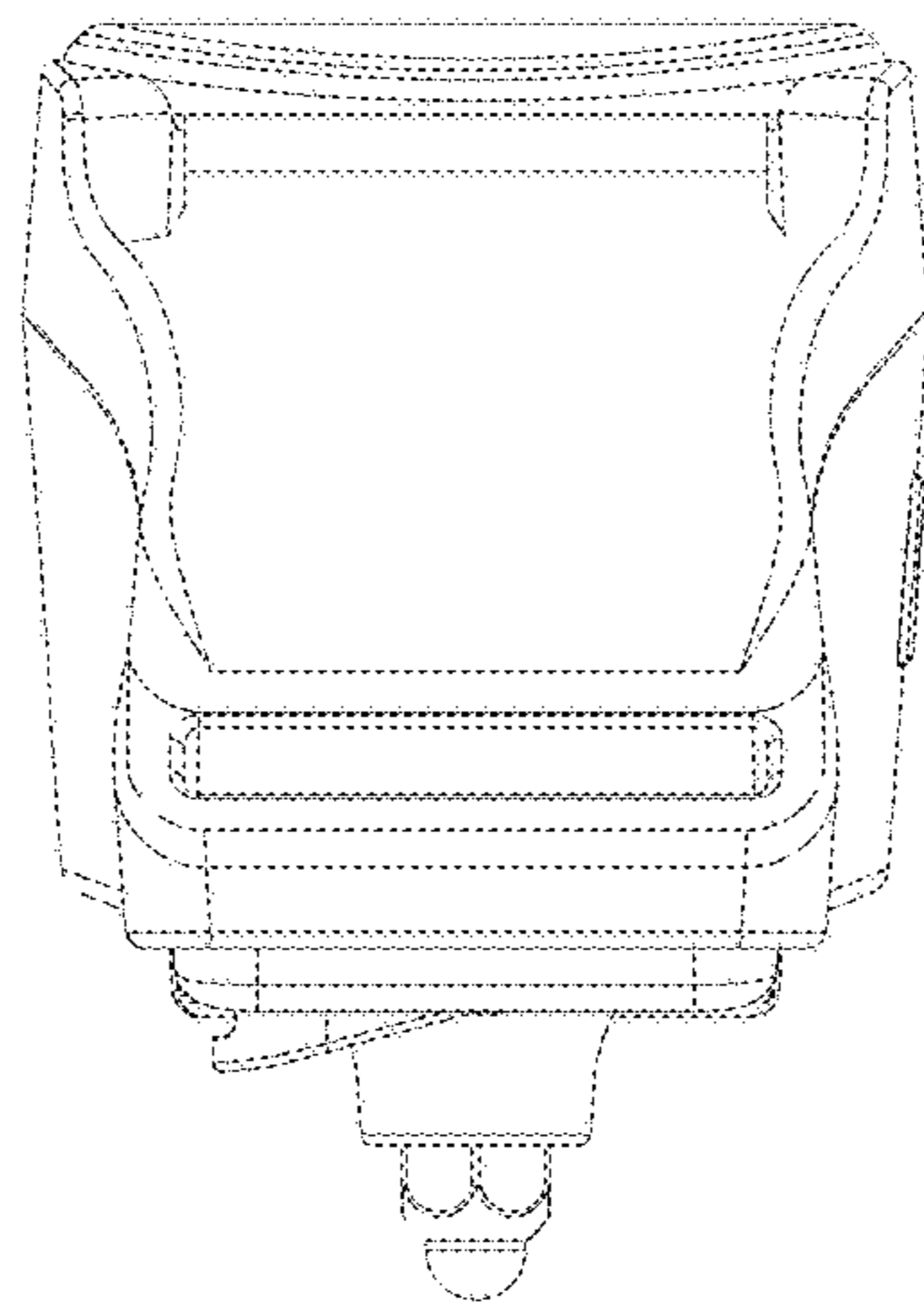


Fig. 7