



US00D846816S

(12) **United States Design Patent**
Tsengas

(10) **Patent No.:** **US D846,816 S**

(45) **Date of Patent:** **** *Apr. 23, 2019**

(54) **HEIGHT ADJUSTABLE ELEVATED ANIMAL FEEDER**

(71) Applicant: **OurPet's Company**, Fairport Harbor, OH (US)

(72) Inventor: **Steven Tsengas**, Fairport Harbor, OH (US)

(73) Assignee: **OUR PET'S COMPANY**, Fairport Harbor, OH (US)

(*) Notice: This patent is subject to a terminal disclaimer.

(**) Term: **15 Years**

(21) Appl. No.: **29/574,987**

(22) Filed: **Aug. 20, 2016**

Related U.S. Application Data

(63) Continuation-in-part of application No. 14/594,150, filed on Jan. 11, 2015.

(51) **LOC (11) Cl.** **30-03**

(52) **U.S. Cl.**
USPC **D30/133; D30/121; D30/131; D30/130**

(58) **Field of Classification Search**

USPC D30/133, 121, 128, 130, 132; 119/52.1, 119/55, 61.5, 61.6, 61.57, 61.56, 61.55, 119/61.54, 51.5, 51.01; D6/480-489, D6/708, 691.6, 656.13, 691.8, 495-499, D6/349, 429, 477, 353, 690; 248/188, 248/157, 188.5, 188.8, 188.9, 404, 248/226.11, 231.31, 127-132, 146, 149, 248/150, 151, 241; 312/204; 108/12, 19, 108/25, 26, 153.1-157, 144.11, 145, 146, 108/147.12, 147.21, 148, 149, 150, 151, 108/152, 157.1, 161, 147.19, 64, 136; 297/423.46, 423.44, 423.45; 5/659, 5/503.1, 505.1; 182/151, 222

(Continued)

(56) **References Cited**

U.S. PATENT DOCUMENTS

1,855,314 A * 4/1932 Schacht A01K 5/01
119/51.5
2,892,604 A * 6/1959 Keen A01K 39/014
119/61.1

(Continued)

Primary Examiner — Susan Moon Lee

(74) *Attorney, Agent, or Firm* — John D. Gugliotta

(57) **CLAIM**

The ornamental design for a height adjustable elevated animal feeder, as shown and described.

DESCRIPTION

FIG. 1 is a front perspective view of a height adjustable elevated animal feeder, arranged in a first height setting configuration;

FIG. 2 is a rear perspective view thereof;

FIG. 3 is a front perspective view of the height adjustable elevated animal feeder, arranged in a second height setting configuration;

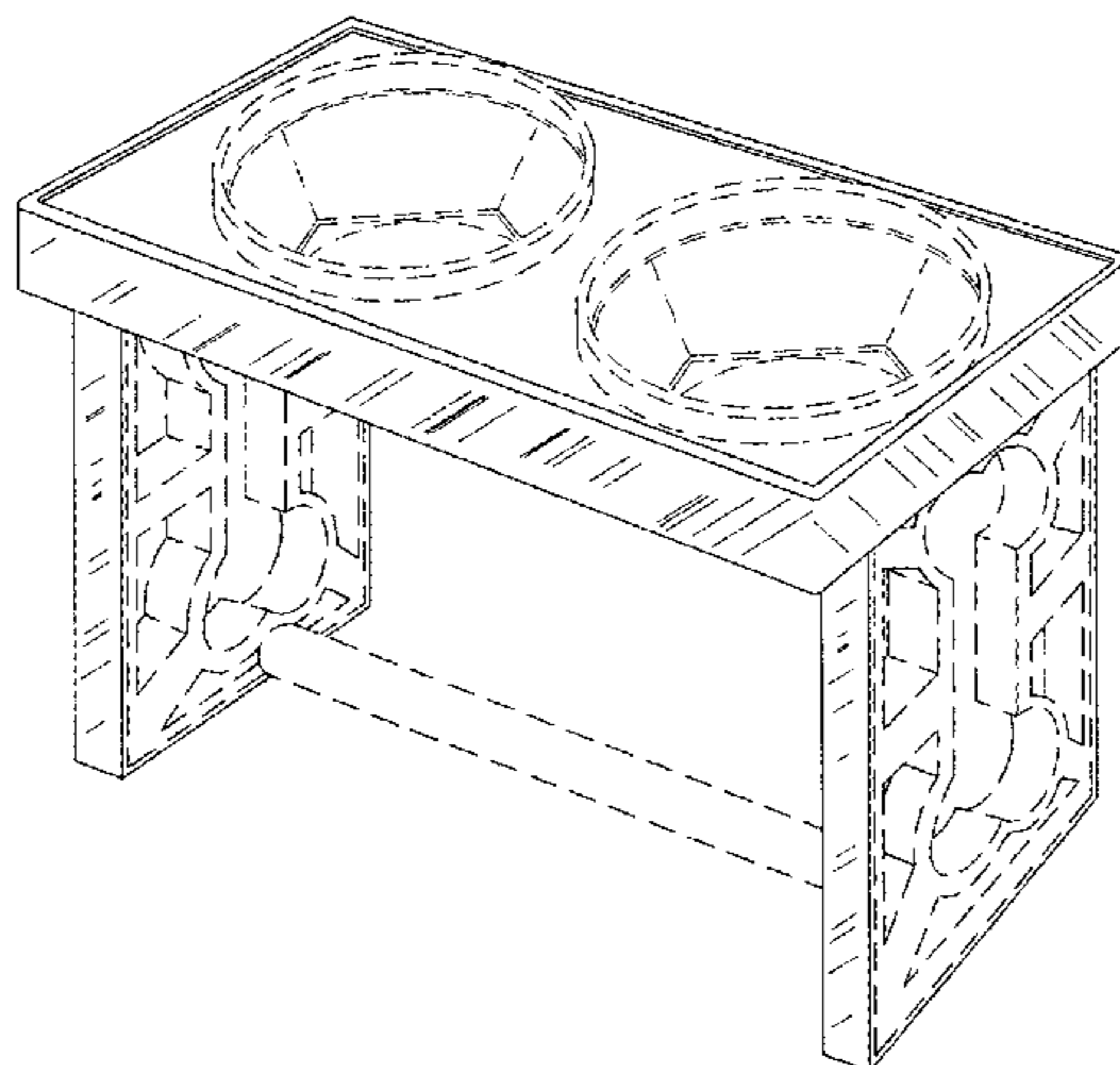
FIG. 4 is a rear perspective view thereof;

FIG. 5 is an exploded perspective view of the height adjustable elevated animal feeder, in the arrangement from the first height setting configuration; and,

FIG. 6 is a top plan view of the height adjustable elevated animal feeder.

Broken lines and unshaded portions contained within broken lines depict either parts of the height adjustable elevated animal feeder that form no part of the present claimed design or exemplary elements that might be used in conjunction with the feeder that are shown for illustrative purposes only and that form no part of the claimed design.

1 Claim, 6 Drawing Sheets



(58) **Field of Classification Search**

CPC A01K 5/00; A01K 5/01; A01K 5/0107;
 A01K 5/0114; A01K 5/0121; A01K
 5/0128; A01K 5/0135; A01K 7/005;
 A47B 3/00; A47B 3/002; A47B 3/06;
 A47B 9/00; A47B 9/16; A47B 9/14;
 A47B 9/18; A47B 2009/006

See application file for complete search history.

(56) **References Cited**

U.S. PATENT DOCUMENTS

D258,018 S * 1/1981 Venditto 119/51.5
 D340,552 S * 10/1993 Smith D30/121
 5,509,376 A * 4/1996 Tsengas A01K 5/0114
 108/156
 D374,517 S * 10/1996 Morrill D30/133
 D377,244 S * 1/1997 Steininger D30/133
 D424,759 S * 5/2000 Sipka D30/130
 D477,691 S * 7/2003 Crowley D30/131
 D521,690 S * 5/2006 Krcek D30/133
 7,341,019 B1 * 3/2008 Tsengas A01K 5/0114
 119/61.5
 D592,814 S * 5/2009 Uffner D30/130
 7,762,211 B1 * 7/2010 McDaniel A01K 5/0291
 119/51.5
 D646,440 S * 10/2011 Chance D30/130
 D647,668 S * 10/2011 Siklosi D30/130
 D653,001 S * 1/2012 Tsengas D30/130
 D662,674 S * 6/2012 Tsengas D30/130
 D686,784 S * 7/2013 Elliott D30/133

D699,402 S * 2/2014 Diskin D30/129
 D701,006 S * 3/2014 Gilkey D30/121
 D710,550 S * 8/2014 Elliott D30/133
 D721,209 S * 1/2015 Hove D30/133
 9,288,967 B1 * 3/2016 Wampler A01K 7/00
 D777,993 S * 1/2017 Green D30/121
 D787,135 S * 5/2017 Green D30/121
 9,668,455 B1 * 6/2017 Carmichael A01K 5/0114
 D820,536 S * 6/2018 Nishihara D30/133
 2003/0106498 A1 * 6/2003 Mersits A01K 5/0142
 119/61.53
 2005/0115508 A1 * 6/2005 Little A01K 5/0114
 119/61.5
 2005/0211190 A1 * 9/2005 Weinblatt A01K 5/0114
 119/814
 2006/0075974 A1 * 4/2006 Kennedy A01K 5/0142
 119/61.5
 2010/0107984 A1 * 5/2010 Uffner A01K 5/0114
 119/61.5
 2010/0162961 A1 * 7/2010 Hove A01K 5/0142
 119/51.5
 2012/0285385 A1 * 11/2012 Arthur A01K 5/0114
 119/51.11
 2014/0326189 A1 * 11/2014 Jain A01K 5/0135
 119/61.5
 2014/0346293 A1 * 11/2014 Qiu A01K 5/0114
 248/176.1
 2015/0308615 A1 * 10/2015 Neaves A01K 5/0114
 119/61.57
 2017/0105386 A1 * 4/2017 Wu A01K 5/0114
 2018/0317448 A1 * 11/2018 Yang A01K 5/0114
 2018/0343826 A1 * 12/2018 Kumar A01K 5/0135

* cited by examiner

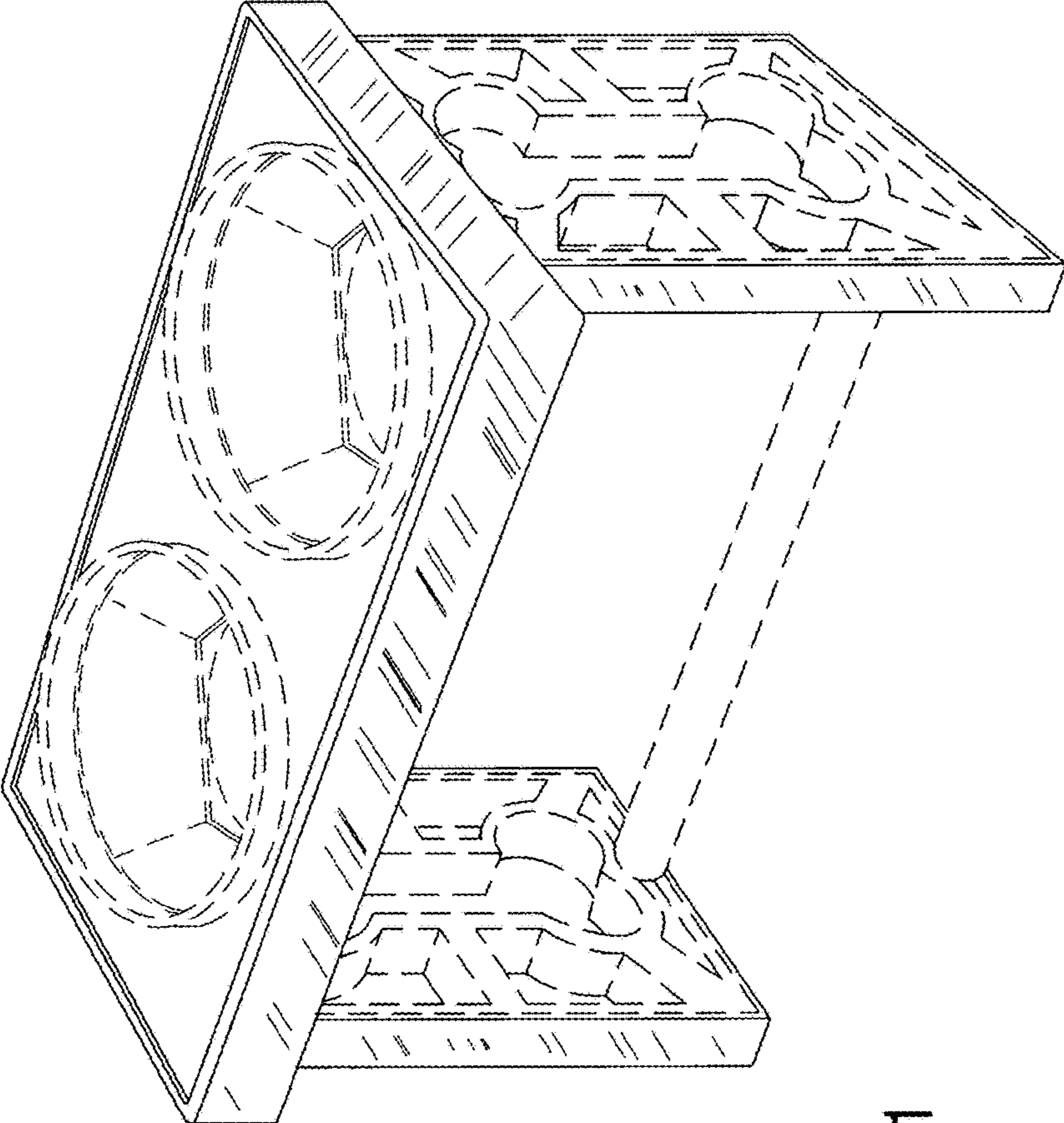


FIG.1

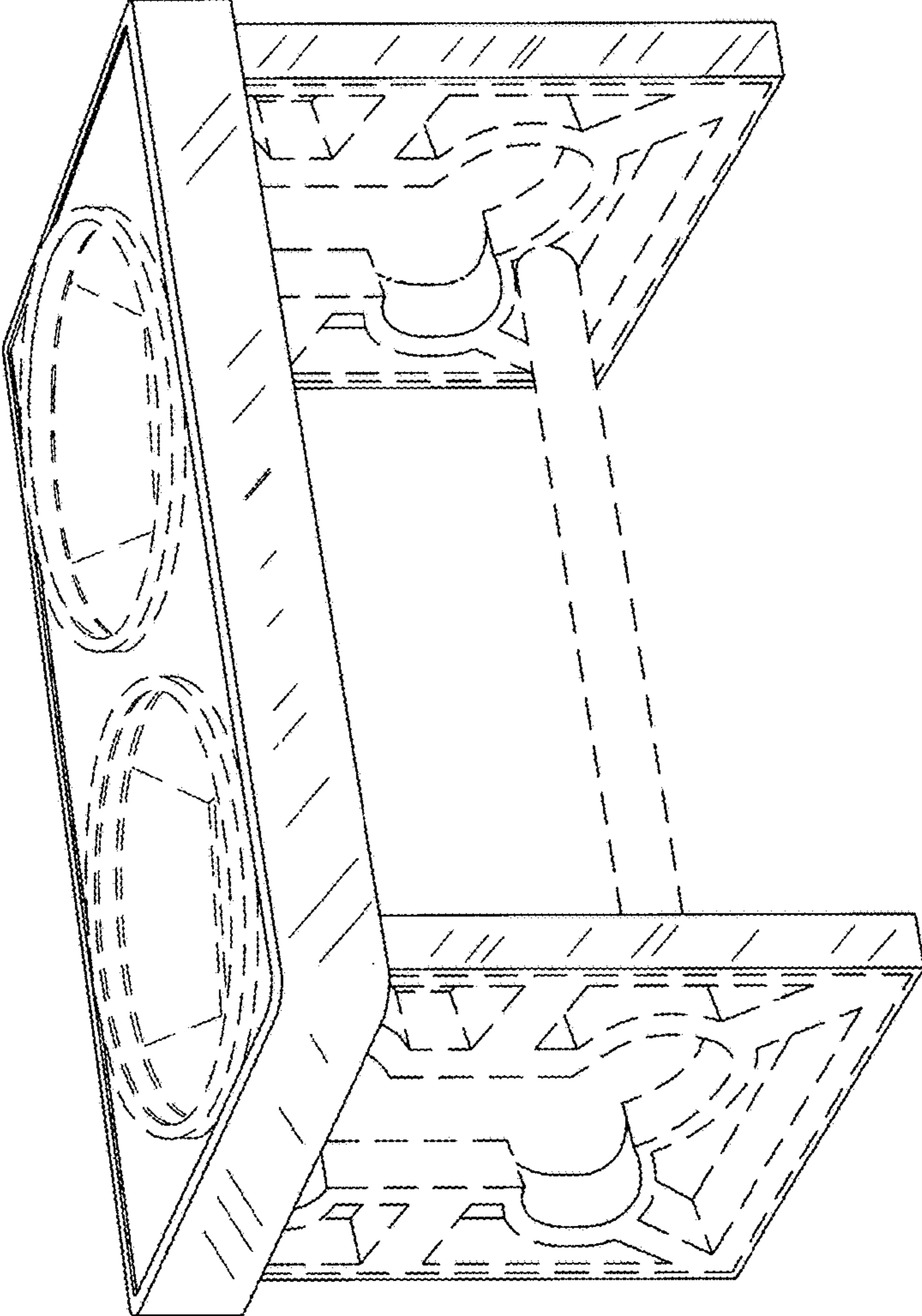


FIG.2

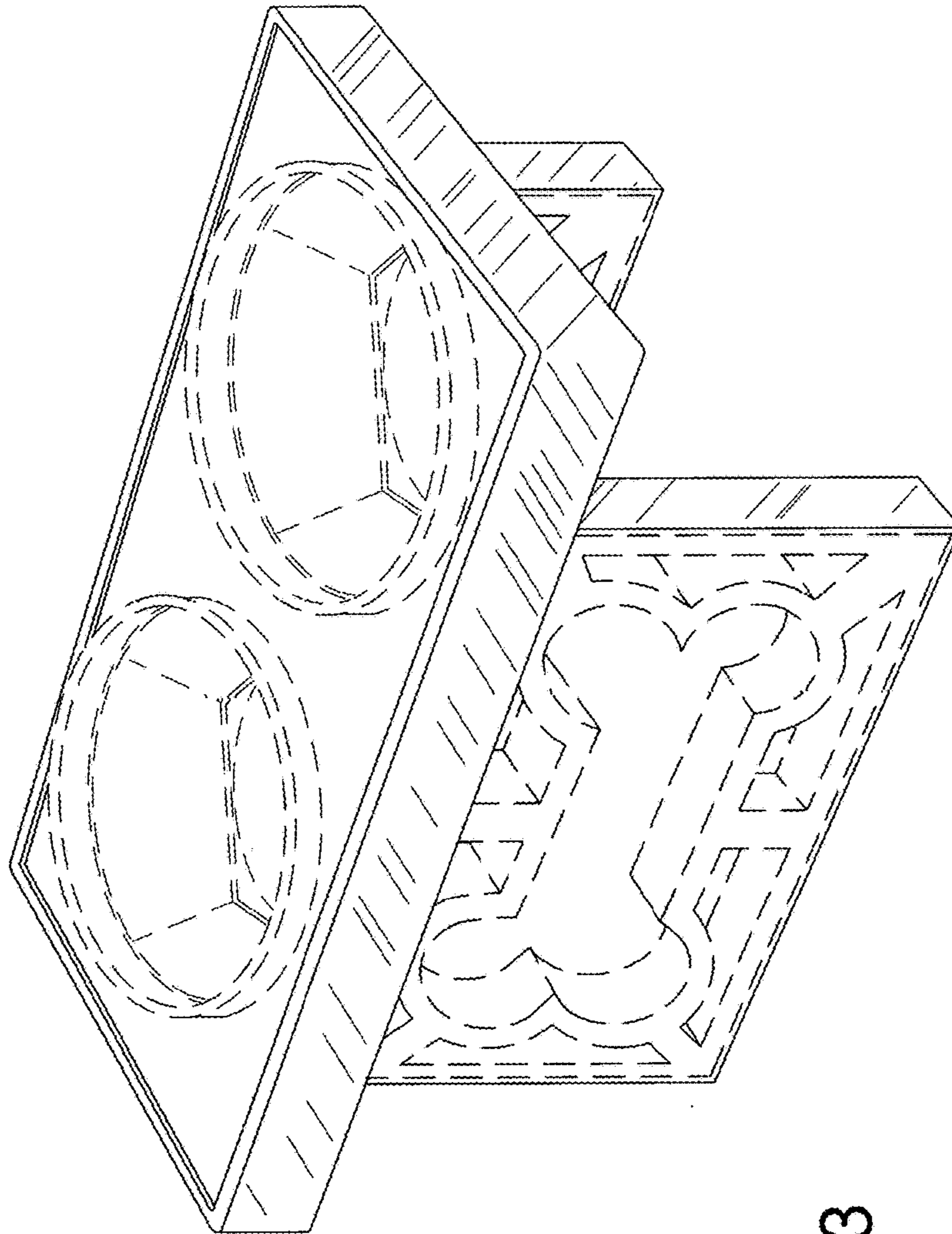


FIG.3

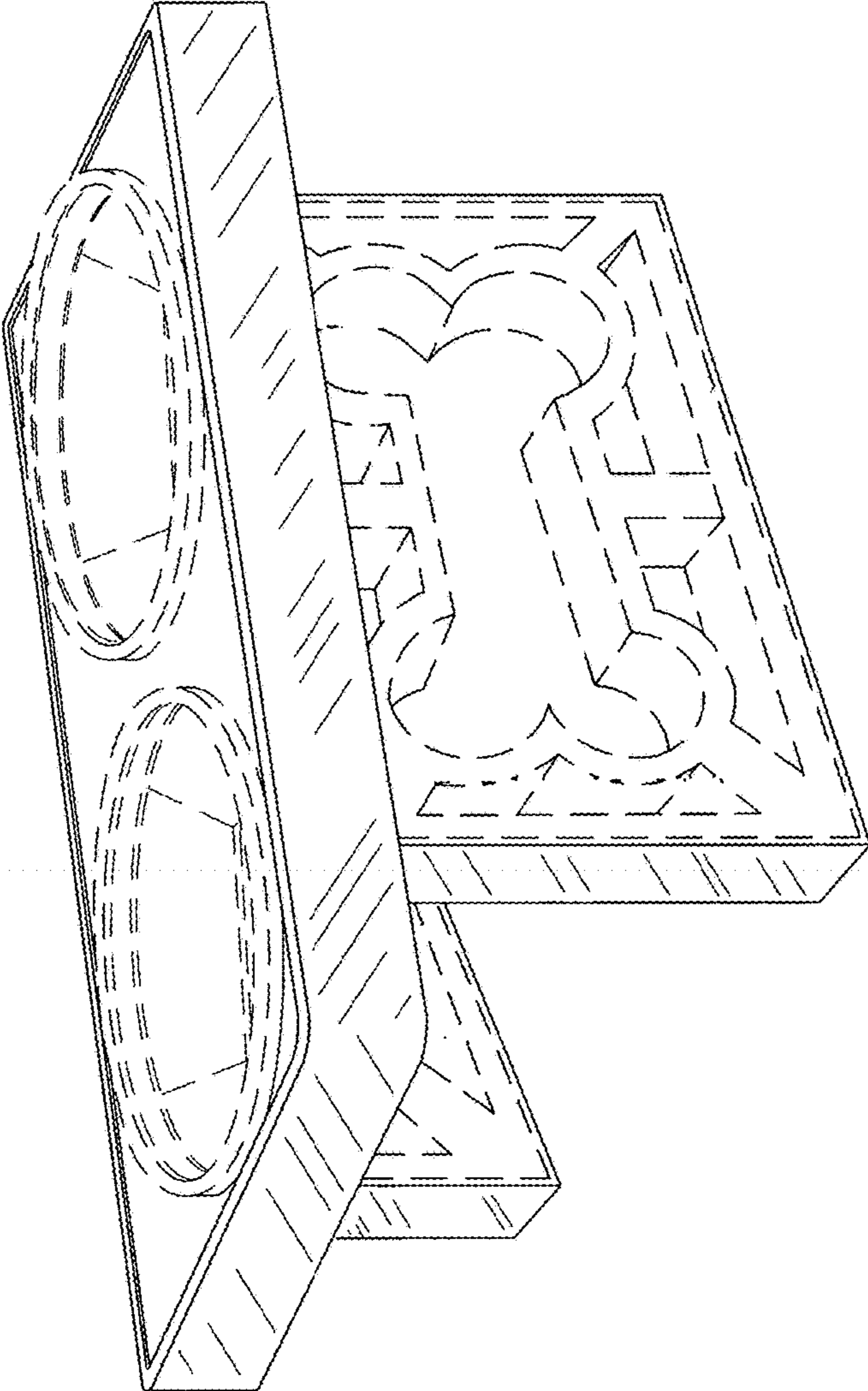


FIG.4

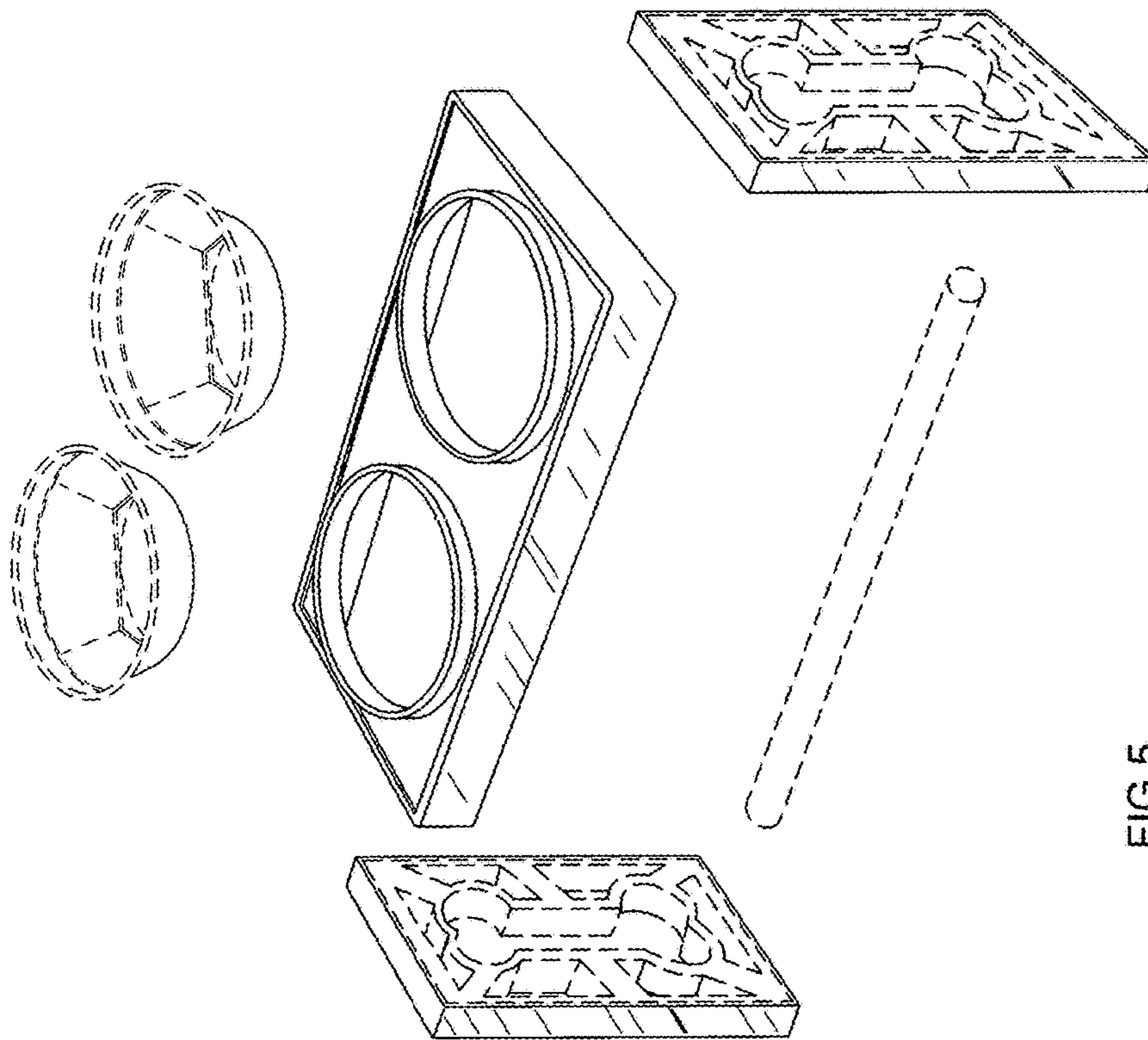


FIG.5

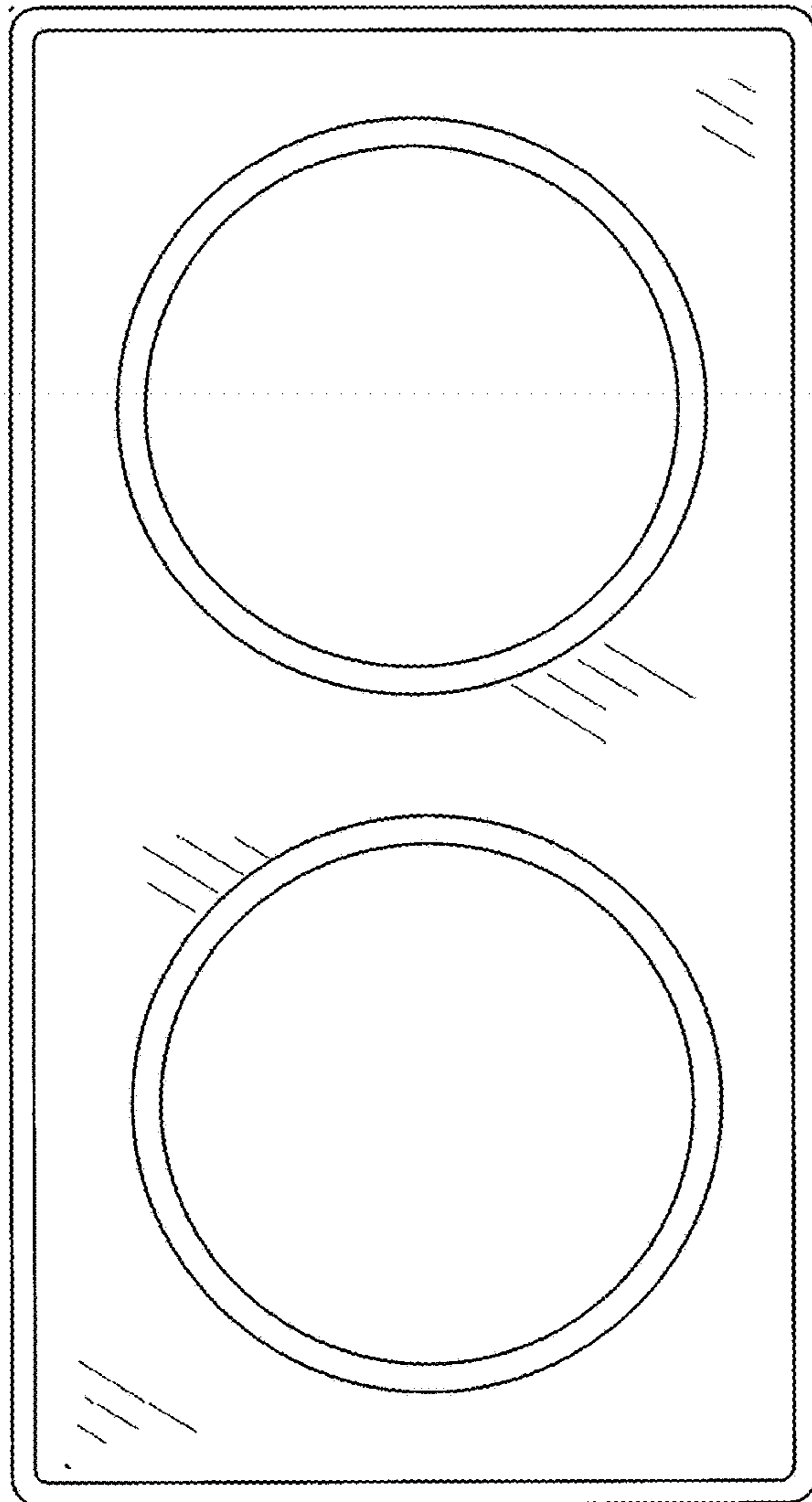


FIG. 6