



US00D846815S

(12) **United States Design Patent**
Darkwah

(10) **Patent No.:** **US D846,815 S**

(45) **Date of Patent:** **** Apr. 23, 2019**

(54) **PET WATER DISPENSER WITH
INTEGRATED STANDARD ONE GALLON
WATER JUG CHAMBER**

(71) Applicant: **Kofi Darkwah**, Far Rockaway, NY
(US)

(72) Inventor: **Kofi Darkwah**, Far Rockaway, NY
(US)

(**) Term: **15 Years**

(21) Appl. No.: **29/590,980**

(22) Filed: **Jan. 15, 2017**

(51) **LOC (11) Cl.** **30-03**

(52) **U.S. Cl.**
USPC **D30/132**

(58) **Field of Classification Search**
USPC D30/121-133; 119/51.01, 61, 51.04, 53,
119/57.91, 54, 53.5, 52.4, 51.11, 63, 61.2,
119/52.1, 57.5, 57.6, 51.13, 62, 75, 500,
119/501, 72, 72.5, 74, 78-81, 61.56, 51.5;
239/7, 687, 379, 397.5; 222/199, 181.1,
222/181.2, 185.1, 557, 156, 485, 486,
222/548, 555, 207, 205, 424, 438, 48,
222/206, 212, 215, 460, 461, 525, 86, 89;
220/200, 227, 247, 262, 694, 700, 701,
220/703, 660-662, 521, 705, 709, 287,
220/523, 574, 6, 771, 737, 23.83, 212,
220/4.22, 847; 221/174, 185.1, 289, 295,
221/296, 559; 454/35; 209/270, 283,
209/244; 52/194, 192; 49/279, 344, 357;
D34/28; D9/531, 549, 516, 523, 530,
D9/538, 541, 544, 559, 719, 716, 424,
D9/426, 432, 428, 431, 433, 739;
D7/300, 300.1, 302-305, 312, 316, 317,
D7/507-512, 523, 524, 528, 700, 709,
D7/605, 620, 612, 619.1, 624.2, 624.3,
D7/550.1, 571, 587; D3/132; D15/143,
D15/199; D28/4, 7, 9; D19/66;
141/343, 331, 340, 384, 330, 332, 383,
141/311 R, 313, 338, 344, 345; 210/455;
215/228, 231, 235, 319-383, 386, DIG. 7,

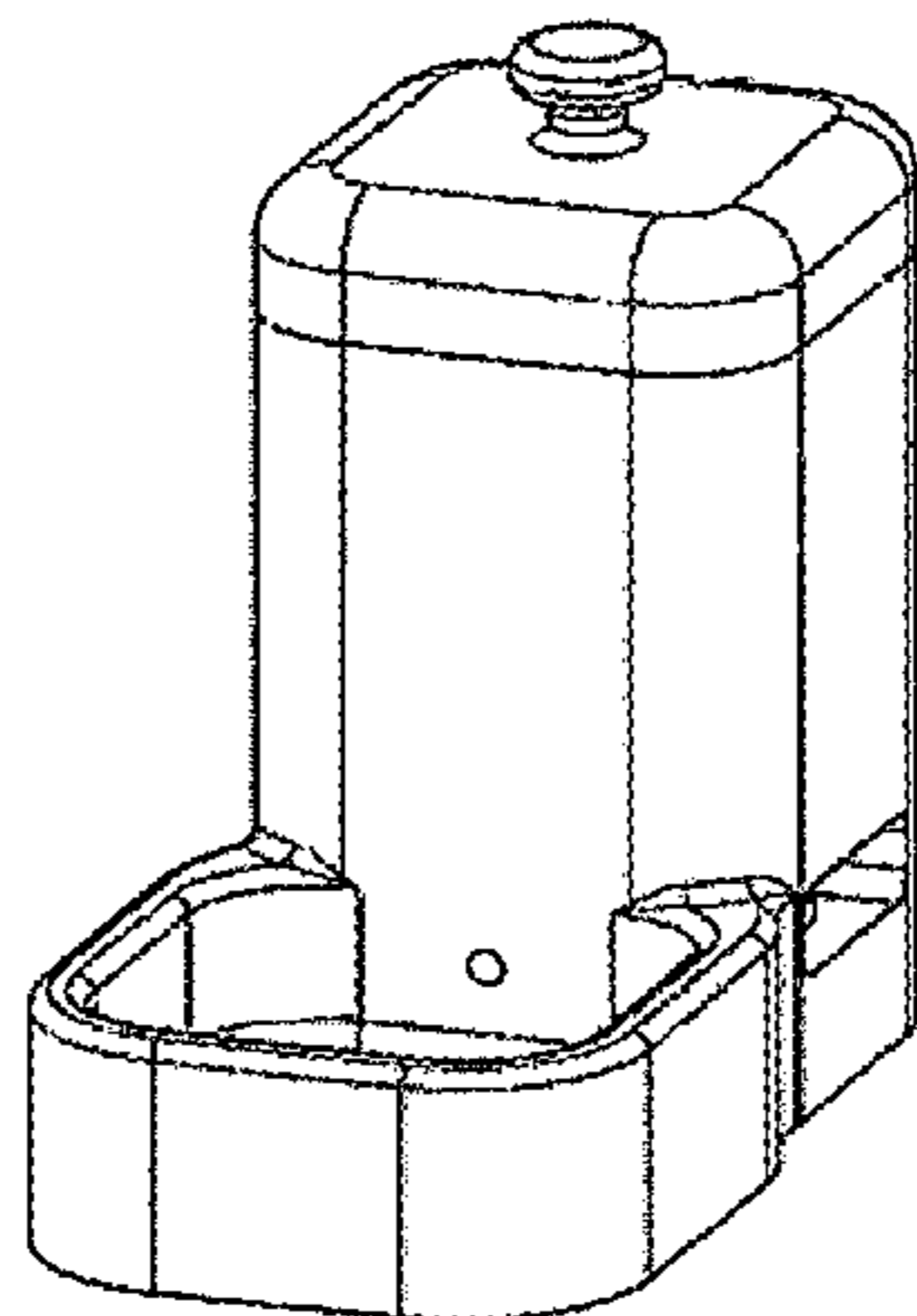
215/388, 6, 12.1, 10, 13.1; 4/258, 259,
4/267; 206/459.1, 459.5, 501, 45.23, 6,
206/514, DIG. 10, 217, 543, 544, 546,
206/549, 223, 241, 541, 518, 522, 557,
206/591; 224/148.4, 148.7, 650
CPC . A01K 7/00; A01K 7/005; A01K 7/02; A01K
7/022; A01K 7/06; A01K 39/0213; A01K
39/02; B65D 41/26; B65D 41/265; B65D
41/28; B65D 41/32; B65D 41/325; B65D
41/34; B65D 41/56; B65D 51/20; B65D
51/249; B65D 51/24; B65D 51/28; B65D
47/243; B65D 2205/04; B65D 21/0238;
B65D 81/3205; B65D 81/3216; B65D
71/50; B65D 77/2024; B65D 43/0212;
B65D 2517/0049; B65D 2543/00046;
B65D 2543/00092; B65D 2543/00537;
B65D 2543/00731; B65D 2543/00796;
B65D 2577/205; A61J 9/00; A61J 9/006;
A61J 9/001; A61J 9/003; A61J 11/04;
A61J 19/00; B65B 39/00; B65B 39/001;
B65B 39/005; B65B 39/007; B67C 11/02;
G01F 11/286; B67B 7/28

See application file for complete search history.

(56) **References Cited**

U.S. PATENT DOCUMENTS

361,621 A * 4/1887 Ferguson A01K 5/0241
119/54
716,743 A * 12/1902 McHenry et al. ... A01K 5/0241
119/54
867,621 A * 10/1907 Tannehill A01K 39/026
119/77
1,533,627 A * 4/1925 Averill B43L 25/02
119/77
2,618,237 A * 11/1952 McDermott A01K 39/026
119/454
3,204,608 A * 9/1965 Snitz A01K 5/0275
119/54
D207,166 S * 3/1967 Noble D30/132
3,315,641 A * 4/1967 Cochran A01K 5/008
119/53
3,340,851 A * 9/1967 Hugo A01K 5/0291
119/51.13
3,568,893 A * 3/1971 Becker G01F 11/24
222/349



US D846,815 S

3,720,184 A *	3/1973	Pearce	A01K 5/0225	6,651,592 B2 *	11/2003	Maddox	A01K 5/0114
			119/51.5				119/712
3,730,141 A *	5/1973	Manning	A01K 5/0114	6,681,718 B1 *	1/2004	McIlarky	A01K 5/0291
			119/51.5				119/51.11
3,985,104 A *	10/1976	Klemer	A01K 5/0291	6,701,866 B1 *	3/2004	Shieh	A01K 5/0291
			119/51.12				119/51.11
4,034,715 A *	7/1977	Arner	A01K 5/0114	6,739,284 B1 *	5/2004	Olive	A01K 39/02
			119/51.5				119/52.1
4,079,699 A *	3/1978	Longmore	A01K 5/0291	D491,250 S *	6/2004	Raymond	D23/201
			119/51.11	6,789,503 B1 *	9/2004	Gao	A01K 5/0291
4,256,054 A *	3/1981	Hitchcock	A01K 5/0291				119/51.11
			119/51.11	D503,247 S *	3/2005	Ross	D30/132
4,279,221 A *	7/1981	Arvizu	A01K 5/0291	6,880,484 B1 *	4/2005	Lee	A01G 27/02
			119/51.11				119/74
4,281,624 A *	8/1981	Raines	A01K 5/0225	6,971,331 B1 *	12/2005	Rohrer	A01K 7/02
			119/52.1				119/52.1
4,303,039 A *	12/1981	Thibault	A01K 5/0225	7,146,930 B1 *	12/2006	Ness	A01K 7/02
			119/52.1				119/77
4,315,483 A *	2/1982	Scheidler	A01K 5/0291	D540,492 S *	4/2007	Gorr	D30/131
			119/51.11	7,409,923 B2 *	8/2008	Park	A01K 5/0114
D278,169 S *	3/1985	Cargile, Jr.	D30/124				119/61.53
4,522,152 A *	6/1985	Meyer	A01K 5/0275	7,895,973 B1 *	3/2011	Whelan	A01K 5/025
			119/56.1				119/51.02
4,721,063 A *	1/1988	Atchley	A01K 5/0114	7,913,647 B1 *	3/2011	Martin	A01K 7/04
			119/52.1				119/52.1
4,722,300 A *	2/1988	Walker	A01K 5/0291	D637,769 S *	5/2011	Weber	D30/121
			119/51.11	8,117,991 B1 *	2/2012	Civitillo	A01K 7/027
4,735,171 A *	4/1988	Essex	A01K 5/0291				119/72
			119/51.12	8,146,535 B1 *	4/2012	Neumann	A01K 7/027
4,840,143 A *	6/1989	Simon	A01K 5/0225				119/72
			119/52.1	8,186,304 B2 *	5/2012	Harper	A01K 7/02
4,947,796 A *	8/1990	Robinette	A01K 5/0114				119/61.55
			119/51.5	8,272,350 B1 *	9/2012	England	A01K 5/025
5,016,572 A *	5/1991	Weber	A01K 5/0225				119/52.1
			119/52.1	9,137,967 B2 *	9/2015	Lathim	A01K 5/0225
D330,098 S *	10/1992	VanSkiver	D30/121	9,198,398 B2 *	12/2015	Rogers	A01K 7/06
D332,674 S *	1/1993	Zinsky	D30/122	D751,774 S *	3/2016	Allen	D30/122
D335,939 S *	5/1993	Cooper	D30/122	D759,905 S *	6/2016	Stewart	D30/122
5,230,300 A *	7/1993	Mezhinsky	A01K 5/0291	D769,548 S *	10/2016	Spiegel	D30/121
			119/51.11	9,750,229 B2 *	9/2017	Stewart	A01K 5/0275
D350,841 S *	9/1994	VanSkiver	D30/121	D801,595 S *	10/2017	Oates	D30/132
D350,842 S *	9/1994	VanSkiver	D30/121	D806,958 S *	1/2018	Maloney	D30/122
D351,689 S *	10/1994	VanSkiver	D30/121	D827,213 S *	8/2018	Veness	D30/132
5,365,879 A *	11/1994	Ying-Kuan	A01K 5/0114	10,098,321 B2 *	10/2018	McKay	A01K 7/00
			119/476	2002/0073926 A1 *	6/2002	Ness	A01K 5/0114
							119/72
D364,942 S *	12/1995	VanSkiver	D30/121	2002/0096120 A1 *	7/2002	Busha	A01K 5/0291
D371,643 S *	7/1996	Lillelund	D30/122				119/51.5
D374,109 S *	9/1996	Lillelund	D30/121	2005/0160995 A1 *	7/2005	Graves, Jr.	A01K 7/04
5,588,394 A *	12/1996	Balistreri	A01K 5/0275				119/78
			119/51.11	2006/0196433 A1 *	9/2006	Ness	A01K 5/0114
5,794,560 A *	8/1998	Terenzi	A01K 5/0291				119/52.1
			119/51.11	2006/0196438 A1 *	9/2006	Caputa	A01K 1/0107
5,809,934 A *	9/1998	Gavet	A01K 7/02				119/165
			119/52.1	2009/0173282 A1 *	7/2009	Wu	A01K 5/0114
D402,428 S *	12/1998	Chrisco	D30/121				119/51.02
5,845,600 A *	12/1998	Mendes	A01K 7/02	2009/0217881 A1 *	9/2009	Chambers	A01K 7/02
			119/51.5				119/73
D405,560 S *	2/1999	Chrisco	D30/121	2010/0132629 A1 *	6/2010	Jalbert	A01K 1/0107
D408,207 S *	4/1999	Bourke	D7/300				119/720
5,960,741 A *	10/1999	Ballen	A01K 5/0114	2012/0125263 A1 *	5/2012	Northrop	A01K 5/0114
			119/51.01				119/52.1
6,055,932 A *	5/2000	Weber	A01K 5/0114	2013/0092090 A1 *	4/2013	McCallum	A01K 7/06
			119/52.1				119/74
D432,279 S *	10/2000	Kim	D30/121	2013/0213308 A1 *	8/2013	Koskey, Jr.	A01K 7/027
6,142,099 A *	11/2000	Lange, Jr.	A01K 5/0142				119/74
			119/51.5	2013/0233248 A1 *	9/2013	Veness	A01K 5/0275
D455,526 S *	4/2002	Chrisco	D30/121				119/56.1
6,378,460 B1 *	4/2002	Skurdalsvold	A01K 5/0114	2013/0269620 A1 *	10/2013	Qiu	A01K 5/0135
			119/51.5				119/56.1
D457,692 S *	5/2002	Skurdalsvold	D30/132	2013/0298839 A1 *	11/2013	Richards	A01N 59/12
6,401,657 B1 *	6/2002	Krishnamurthy	A01K 5/0291				119/75
			119/51.11	2013/0333622 A1 *	12/2013	Jin	A01K 5/0291
6,467,428 B1 *	10/2002	Andrisin	A01K 5/0114				119/51.01
			119/51.5	2015/0068463 A1 *	3/2015	Worry	A01K 5/0114
6,477,981 B1 *	11/2002	Harper	A01K 5/0114				119/57.1
			119/51.01				

2015/0096649 A1* 4/2015 Lathim A01K 5/0114
141/324
2015/0143750 A1* 5/2015 Jalbert E06B 7/32
49/25
2015/0145644 A1* 5/2015 Jalbert A01K 5/02
340/5.61
2015/0164044 A1* 6/2015 Powers A01K 5/0225
119/61.5
2016/0007564 A1* 1/2016 Ma A01K 5/0225
119/57.1
2016/0286755 A1* 10/2016 Feng A01K 5/0291

* cited by examiner

Primary Examiner — Susan Moon Lee

(57)

CLAIM

I claim the ornamental design for a pet water dispenser with integrated standard one gallon water jug chamber, as shown and described.

DESCRIPTION

FIG. 1 is a front, right perspective view of a pet water dispenser with integrated standard one gallon water jug chamber according to my new design, shown with the lid removed;

FIG. 2 is a front, right perspective view of the pet water dispenser with integrated standard one gallon water jug chamber, shown with the lid in place on top of the chamber; FIG. 3 is a front view thereof; FIG. 4 is a left side view thereof; FIG. 5 is a right side view thereof; FIG. 6 is a bottom view thereof; FIG. 7 is a rear view thereof; and, FIG. 8 is a top view thereof.

The present invention relates to a pet water dispenser with integrated chamber for a standard disposable one gallon jug. It's design is characterized by a smooth, plastic, box-shaped, tower-like chamber with an extended, bowl-like reservoir at it's forward base. The chamber and reservoir are connected by a concealed channel extending from the bottle chamber to the reservoir. The illustrative broken line showing of a water jug in FIG. 1 depicts an exemplary component which might be used in conjunction with the pet water dispenser and does not actually form part of the design claim.

1 Claim, 4 Drawing Sheets

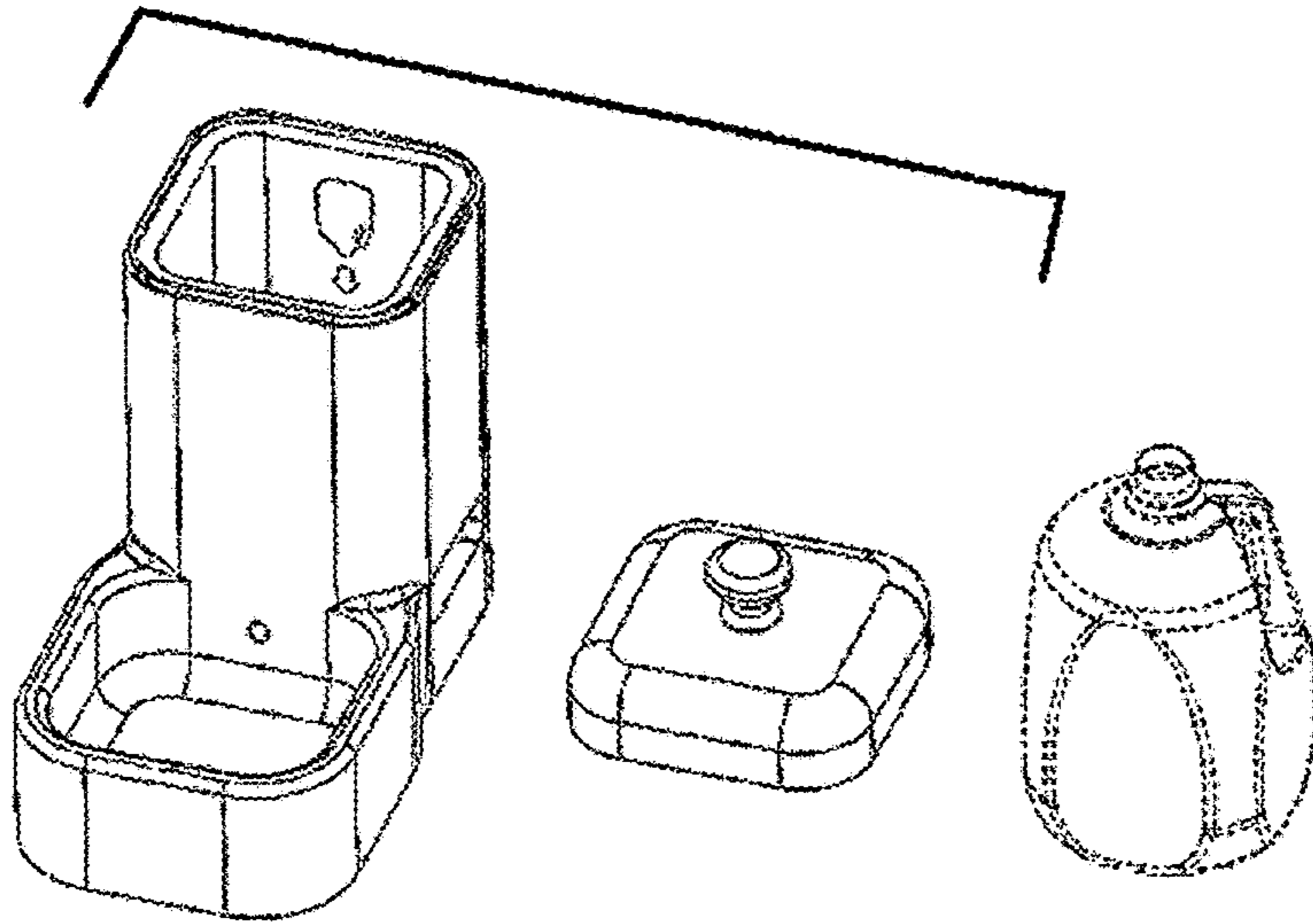


FIG. 1

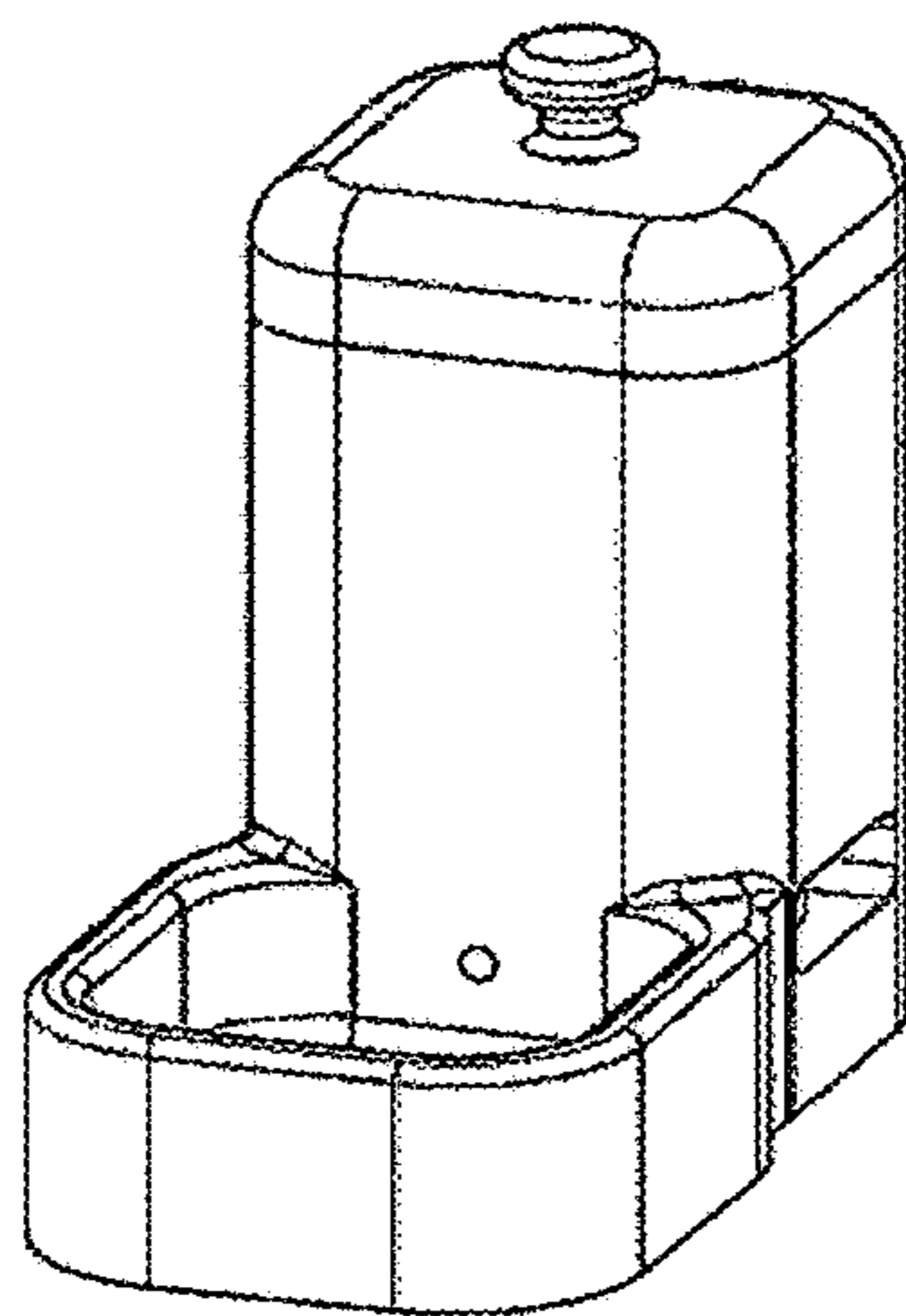


FIG. 2

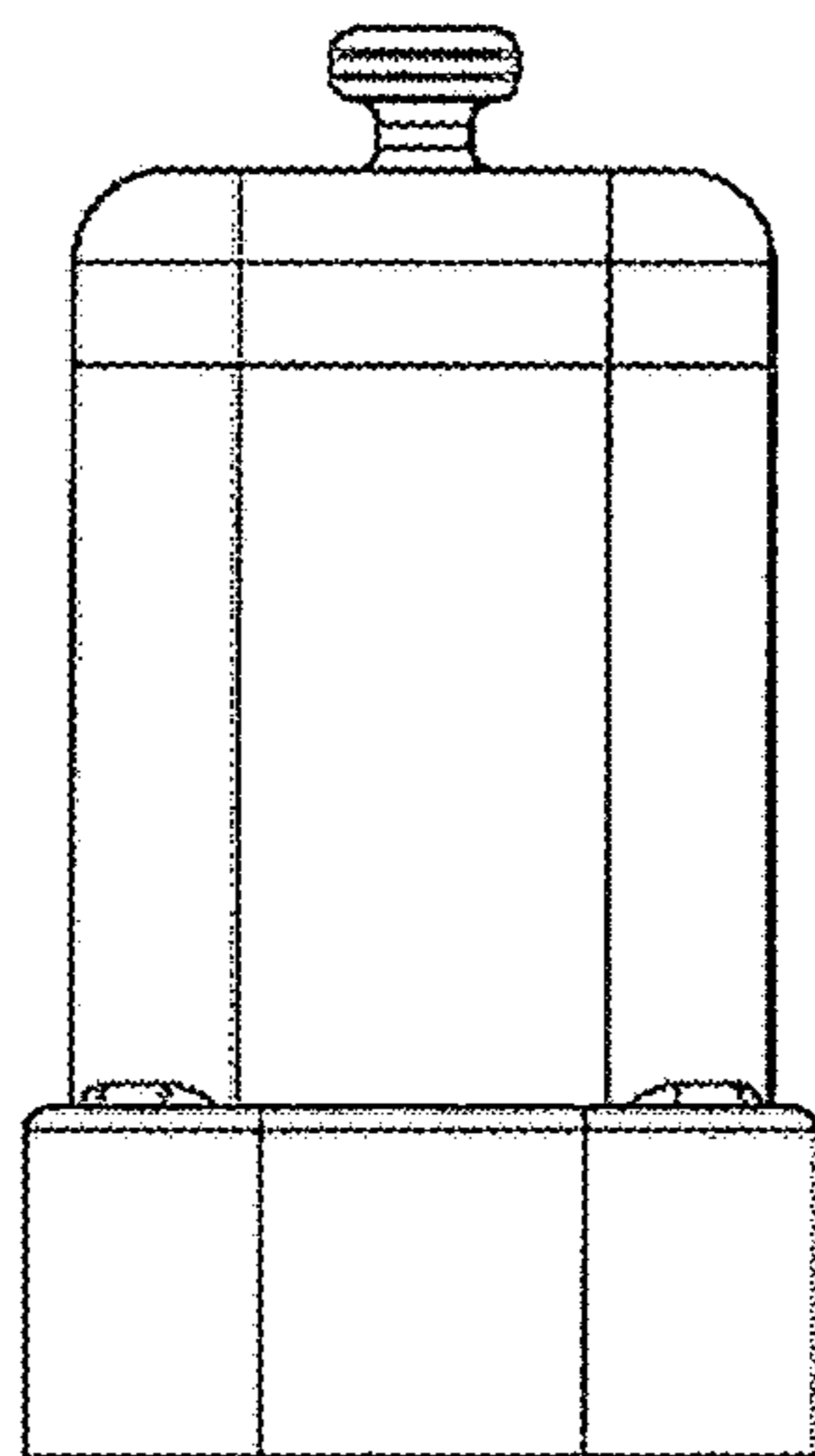


FIG. 3

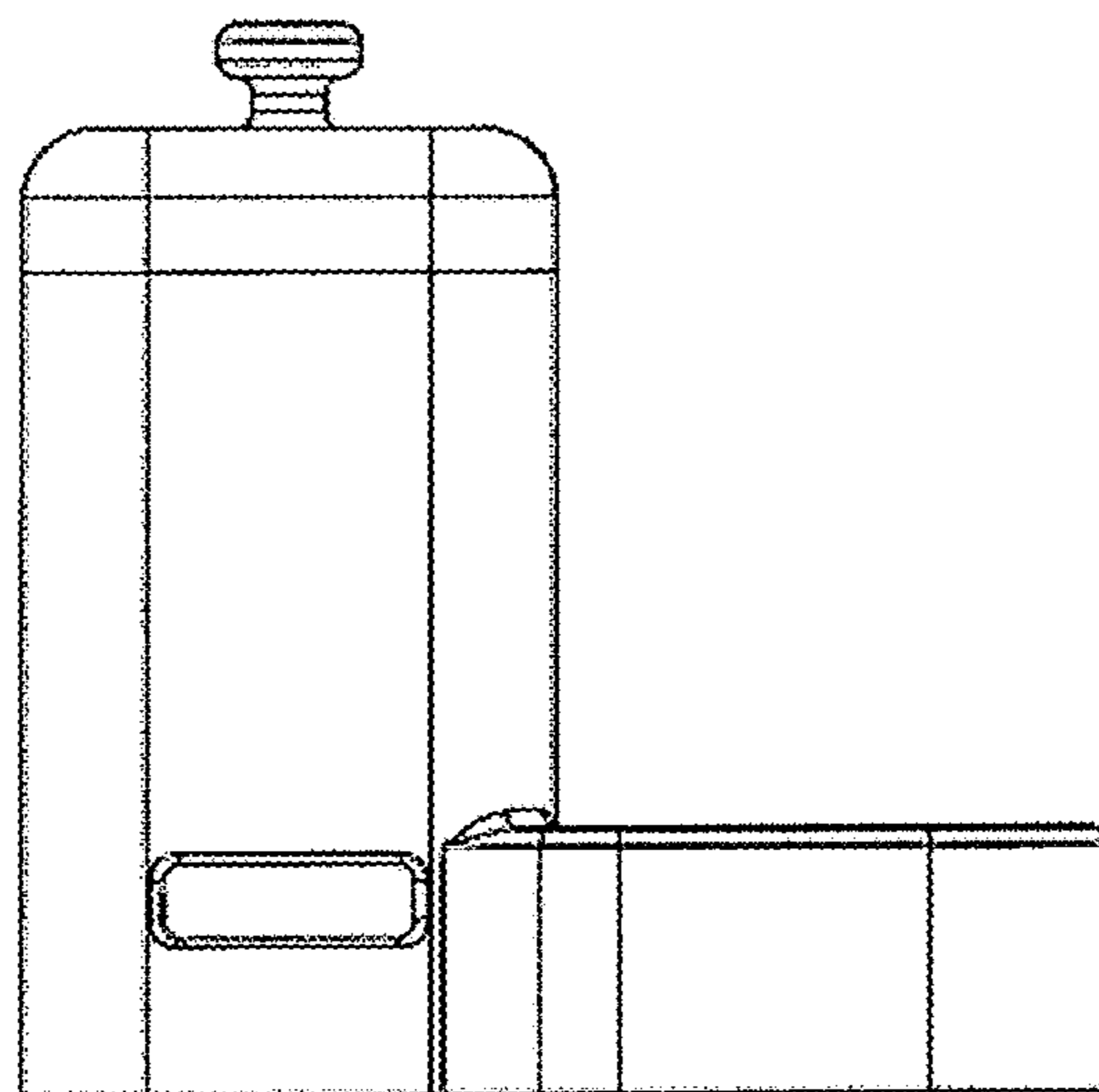


FIG. 4

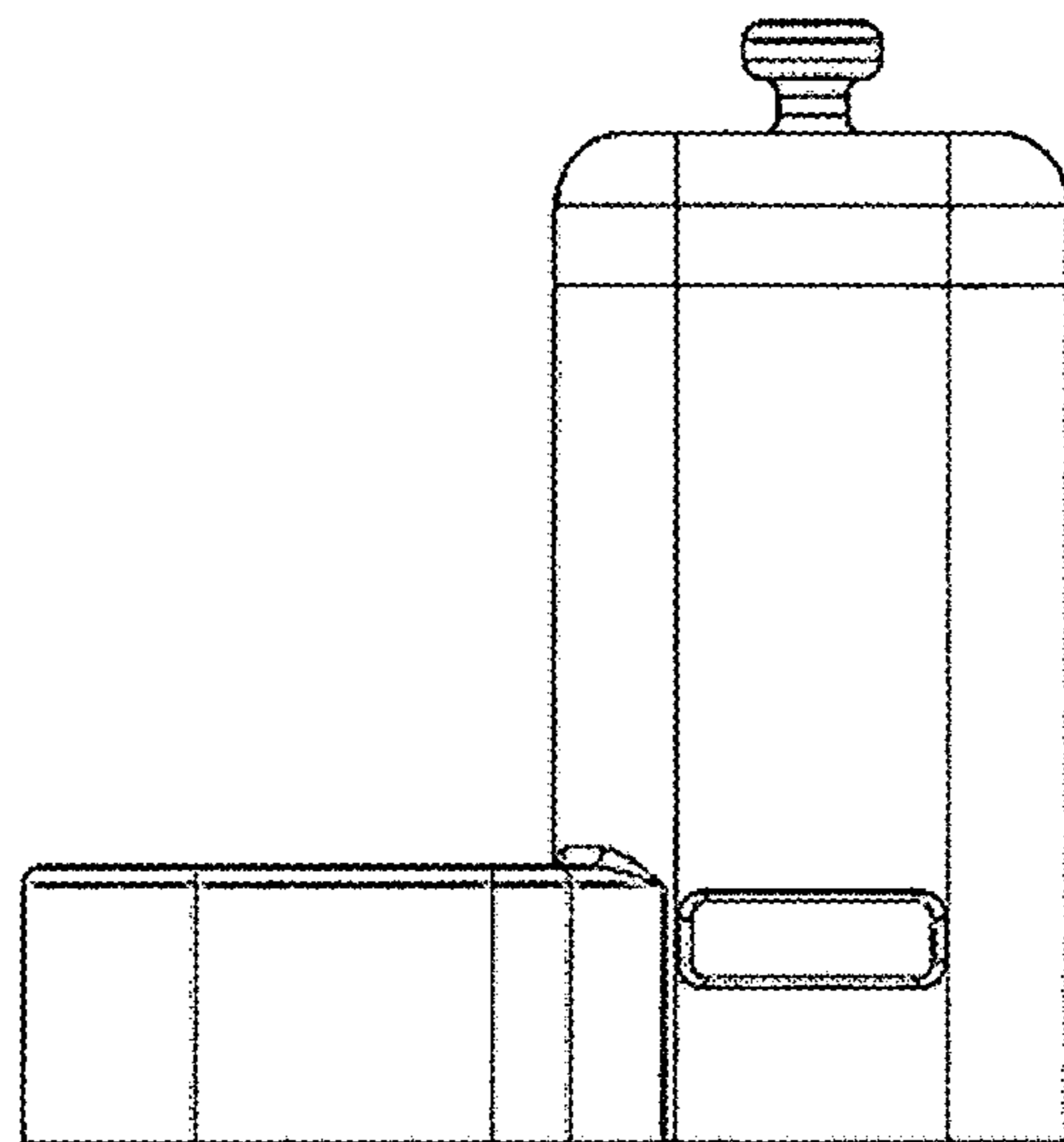


FIG. 5

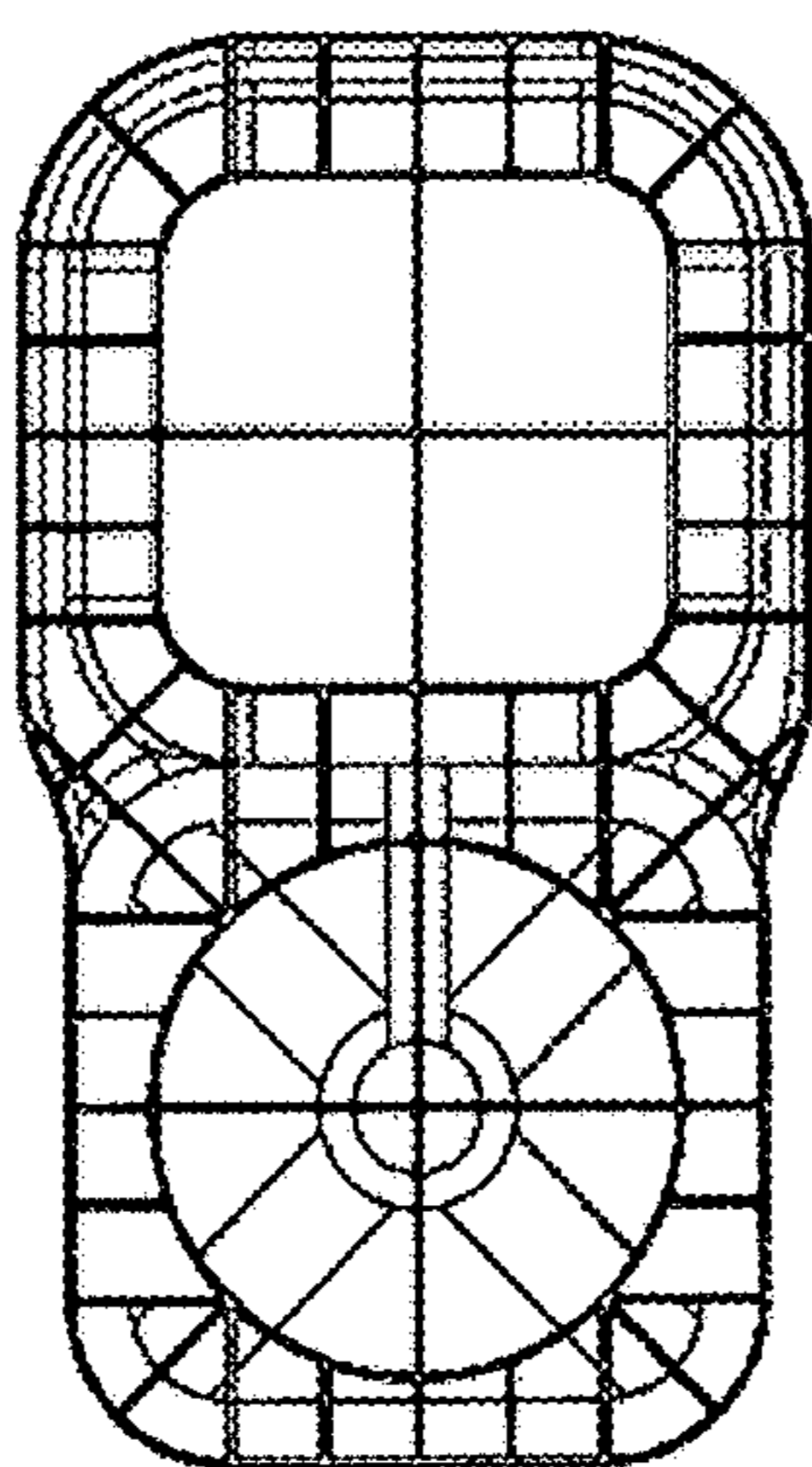


FIG. 6

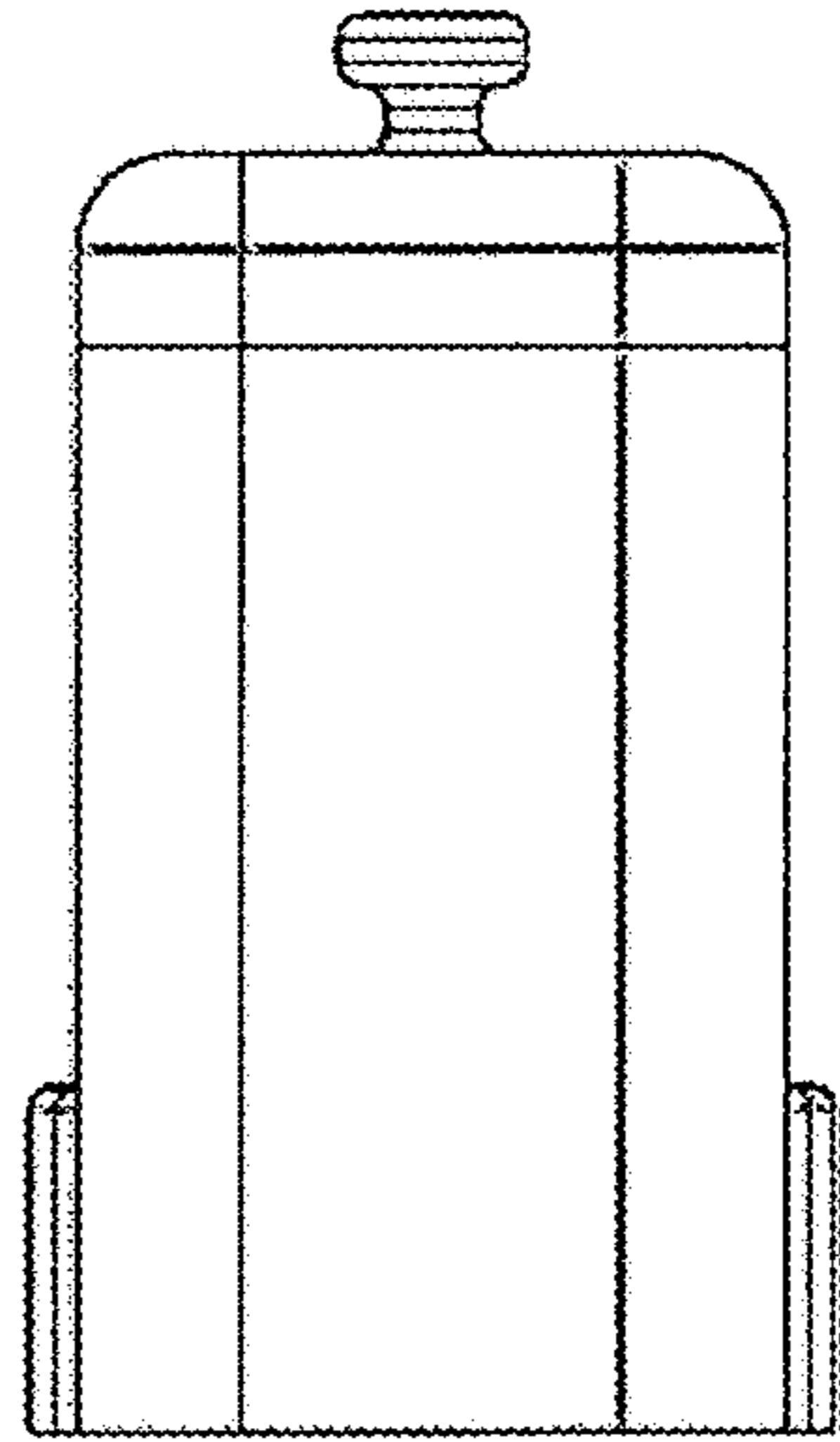


FIG. 7

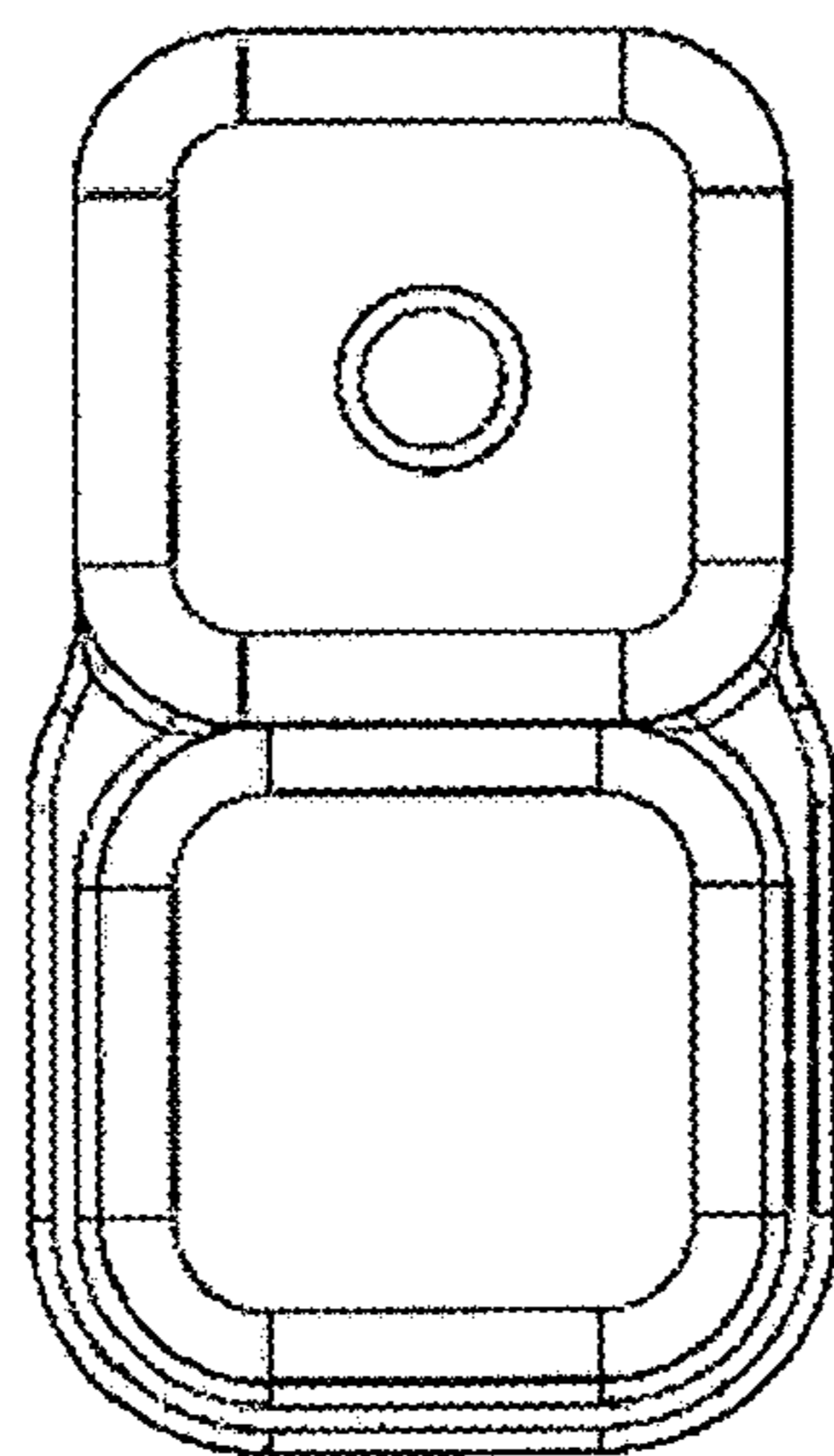


FIG. 8