



US00D846814S

(12) **United States Design Patent**
Tao

(10) **Patent No.:** **US D846,814 S**
(45) **Date of Patent:** **** Apr. 23, 2019**

- (54) **AUTOMATIC PET FEEDER**
- (71) Applicant: **Xiaocan Tao**, Guangdong (CN)
- (72) Inventor: **Xiaocan Tao**, Guangdong (CN)
- (73) Assignee: **SHENZHEN JINCAN PET PRODUCTS LIMITED**, Shenzhen, Guangdong (CN)
- (**) Term: **15 Years**
- (21) Appl. No.: **29/611,806**
- (22) Filed: **Jul. 25, 2017**
- (51) **LOC (11) Cl.** **30-07**
- (52) **U.S. Cl.**
USPC **D30/122**
- (58) **Field of Classification Search**
USPC D30/121, 122, 129–133; 119/61.5, 51.01, 119/61.56, 51.03, 59, 62, 63, 51.5, 57.8, 119/74, 61.54, 61.55, 53, 53.5, 75, 56.2, 119/51.02, 51.11, 51.12, 57.1, 52.1, 515; 312/204; 248/151, 188; 108/156, 108/153.1–157; 220/23.87, 630, 737, 220/743, 9.4, 495.01, 574, 212, 255, 220/23.83; 206/515; D7/586, 543, D7/550.1, 587, 505, 584, 545, 500, D7/553.1–553.8, 546, 555, 556, 504, 565, D7/562, 602, 605, 312, 313, 320, 307, D7/306, 309, 354, 311, 399, 397, 323, D7/332, 331, 347, 346, 322, 318, 317, D7/316, 619.1; D9/429; 43/109; D22/122; 99/430, DIG. 15, 280, 285, 99/312; 222/209, 131, 363, 349, 517, 222/153.13, 401, 1, 146.5, 23, 54, 64, 51, 222/156, 399, 400.8; 219/438, 439, 441, 219/385, 386, 402, 407; 210/94, 184, 210/474, 477
CPC A01K 5/02; A01K 5/0225; A01K 5/0114; A01K 5/025; A01K 5/0266; A01K 5/0275; A01K 5/0283; A01K 5/0291; A01K 5/0258; A01K 7/00; G01F 11/24;

G01F 23/02; B67D 1/0425; B67D 1/04; B67D 1/00; B67D 1/02; B67D 1/0871; B67D 1/0802; A47J 41/0033; A47J 41/005; A47J 41/0088; A47J 41/0094; A47J 31/04; A47J 31/053; B05B 11/00; B05B 11/0002; B05B 11/0005; B05B 11/001; C02F 1/003; C02F 1/283; C02F 2307/02

See application file for complete search history.

(56) **References Cited**

U.S. PATENT DOCUMENTS

D504,545 S *	4/2005	Morosin	A01K 5/0114 D30/122
D563,605 S *	3/2008	Morris	D30/121
D814,124 S *	3/2018	Ward	D30/122
2005/0252457 A1 *	11/2005	Morosin	A01K 5/0291 119/51.13
2007/0012253 A1 *	1/2007	Zheng	A01K 5/02 119/51.02

(Continued)

Primary Examiner — Susan Moon Lee

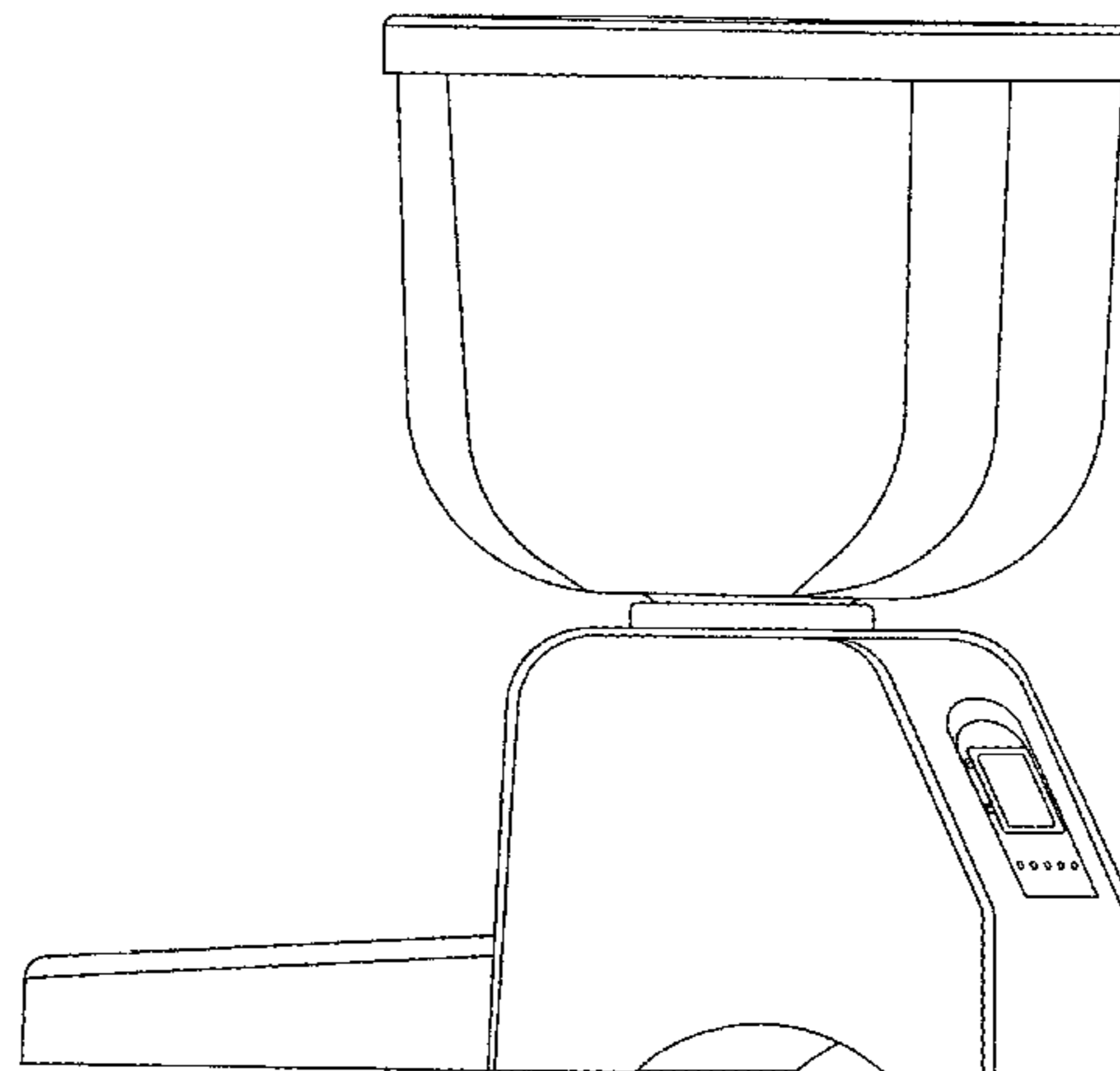
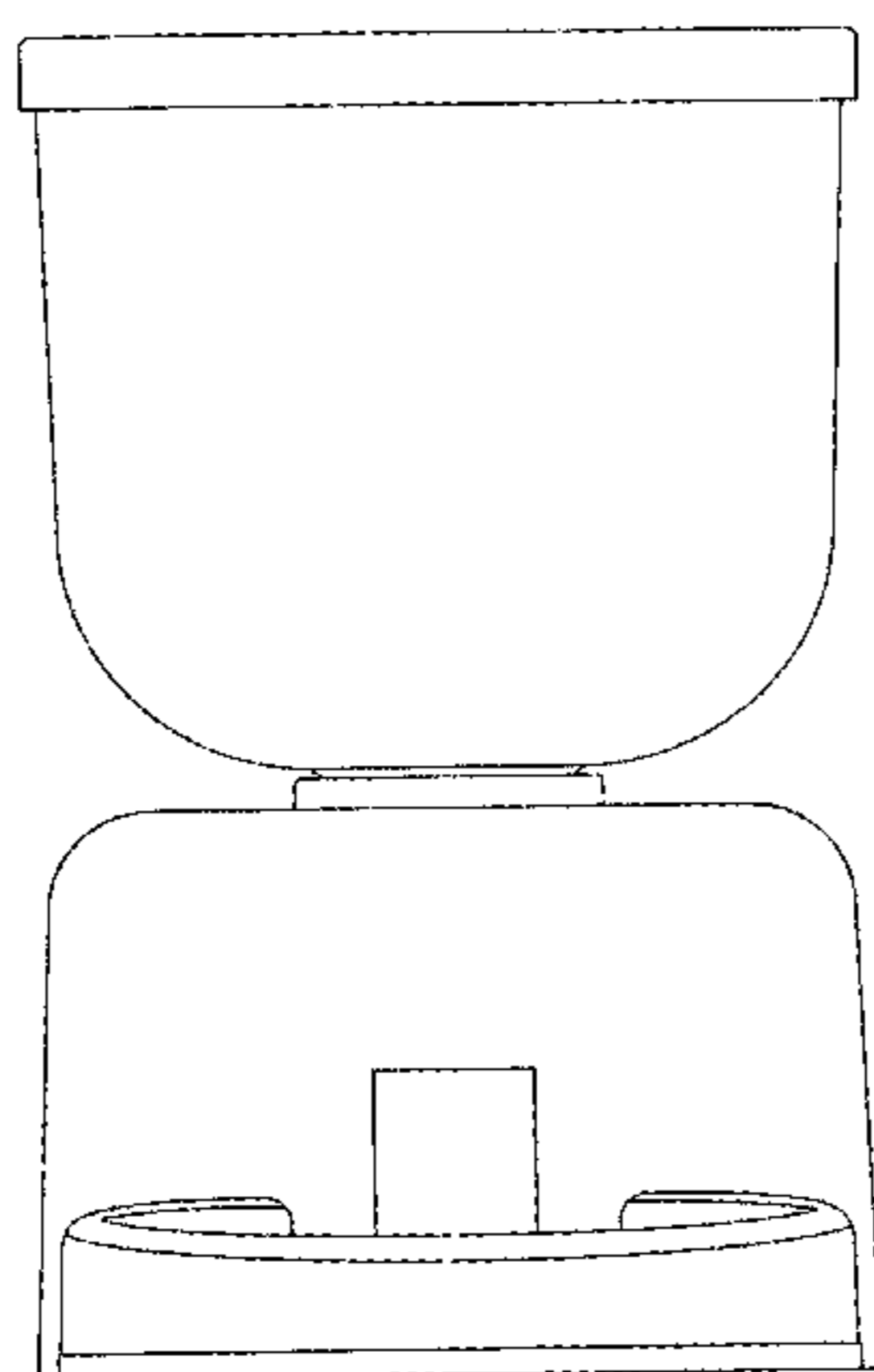
(57) **CLAIM**

The ornamental design for automatic pet feeder, as shown and described.

DESCRIPTION

FIG. 1 is a front elevational view of automatic pet feeder showing my new design;
FIG. 2 is a rear elevational view thereof;
FIG. 3 is a left side elevational view thereof;
FIG. 4 is a right side elevational view thereof;
FIG. 5 is a top plan view thereof;
FIG. 6 is a bottom plan view thereof; and,
FIG. 7 is a perspective view thereof.
The broken lines in the drawings are for the purpose of illustrating portions of the automatic pet feeder that form no part of the claimed design.

1 Claim, 7 Drawing Sheets



(56)

References Cited

U.S. PATENT DOCUMENTS

2009/0173282 A1* 7/2009 Wu A01K 5/0114
119/51.02
2011/0139076 A1* 6/2011 Pu A01K 5/0114
119/51.02
2013/0269620 A1* 10/2013 Qiu A01K 5/0135
119/56.1
2013/0333622 A1* 12/2013 Jin A01K 5/0291
119/51.01
2015/0143750 A1* 5/2015 Jalbert E06B 7/32
49/25

* cited by examiner

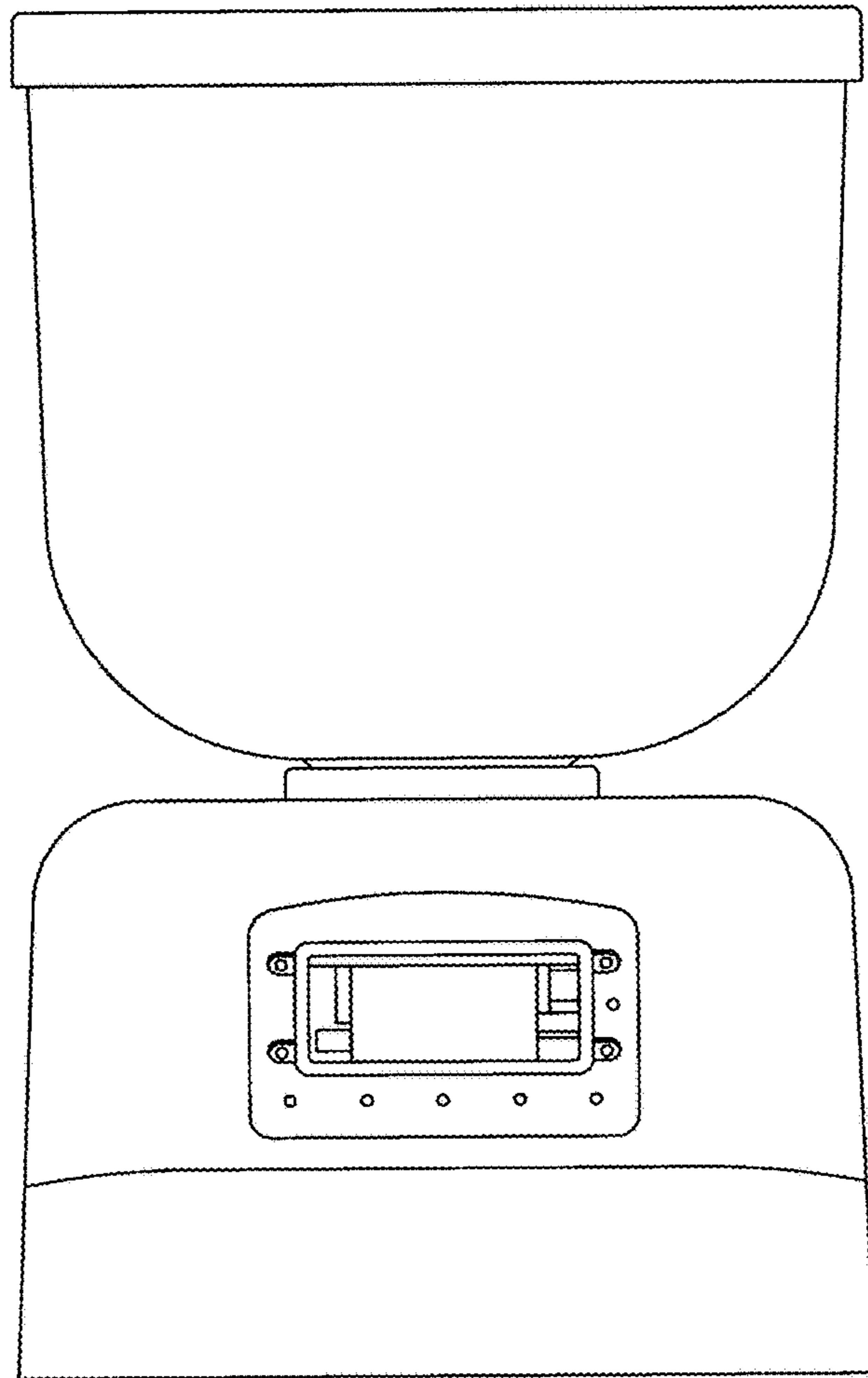


FIG. 1

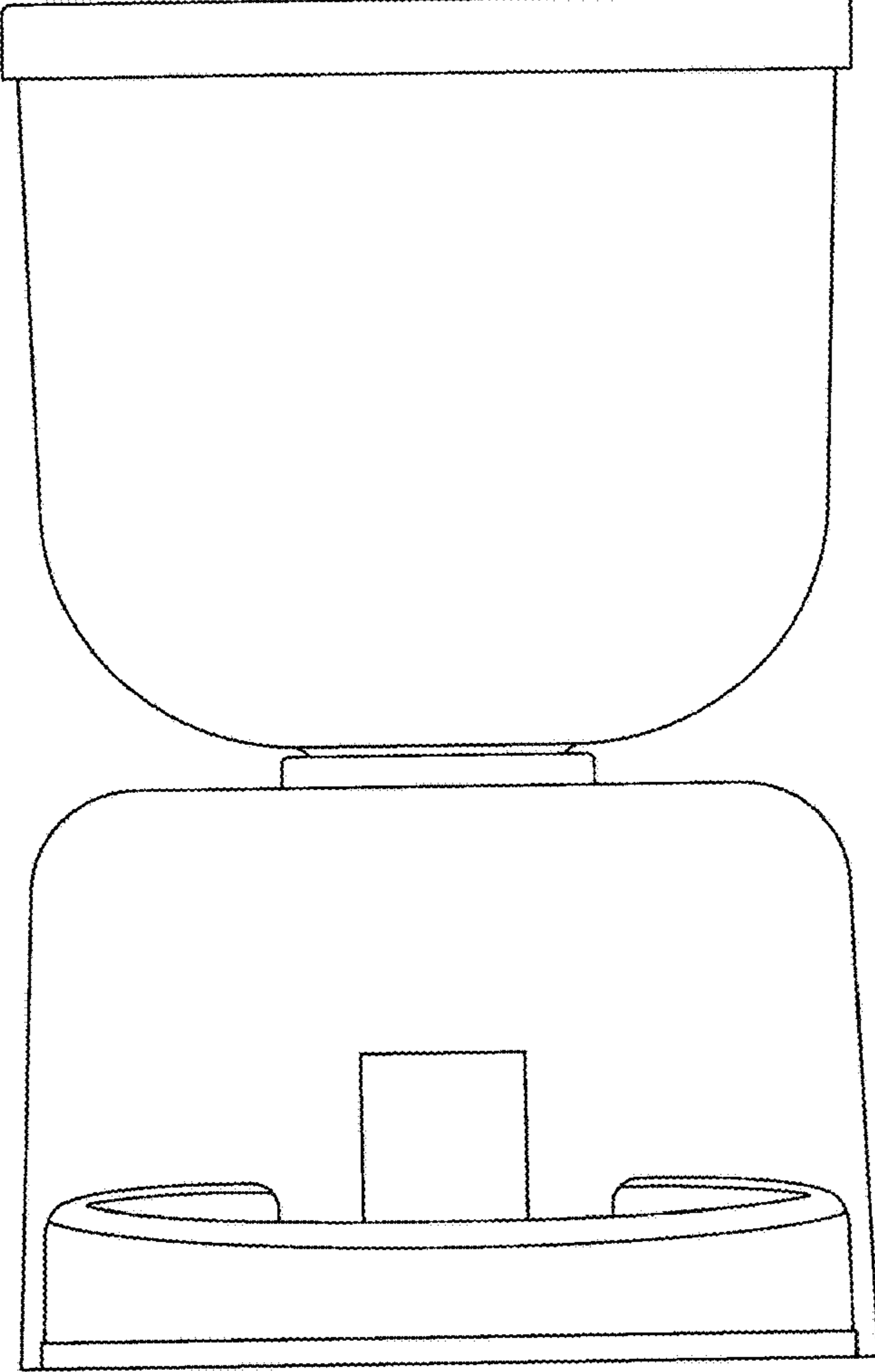


FIG.2

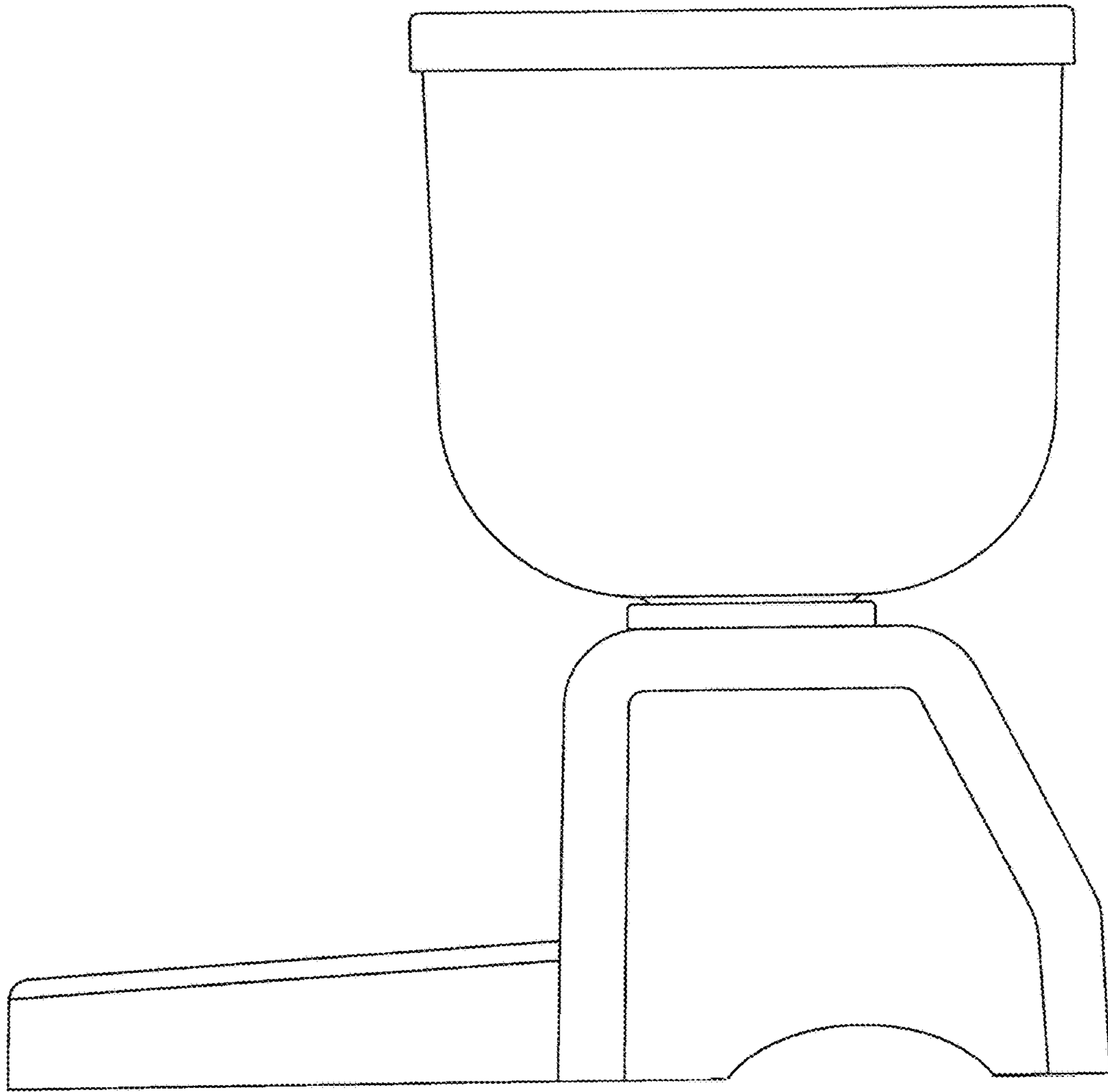


FIG.3

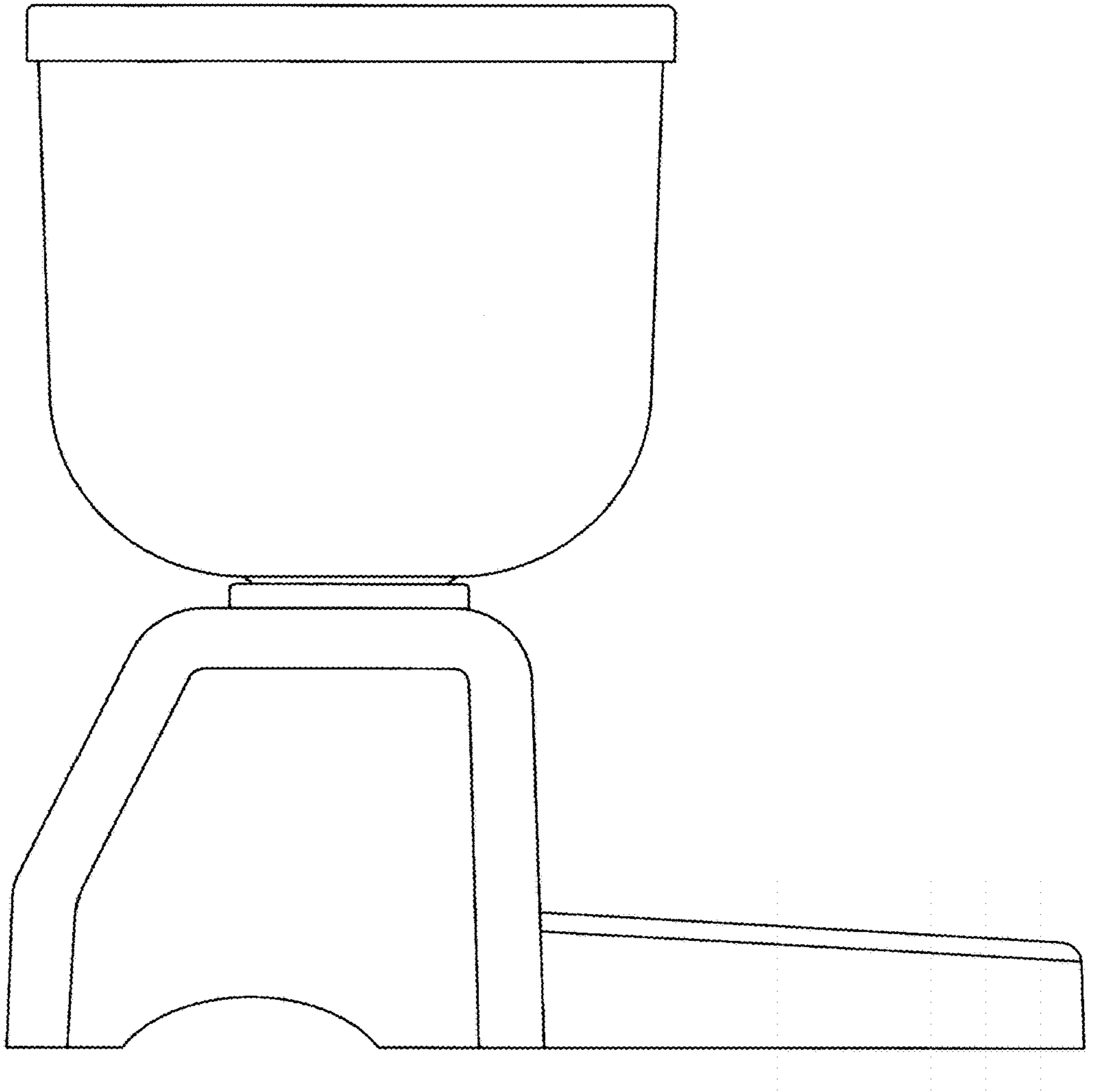


FIG.4

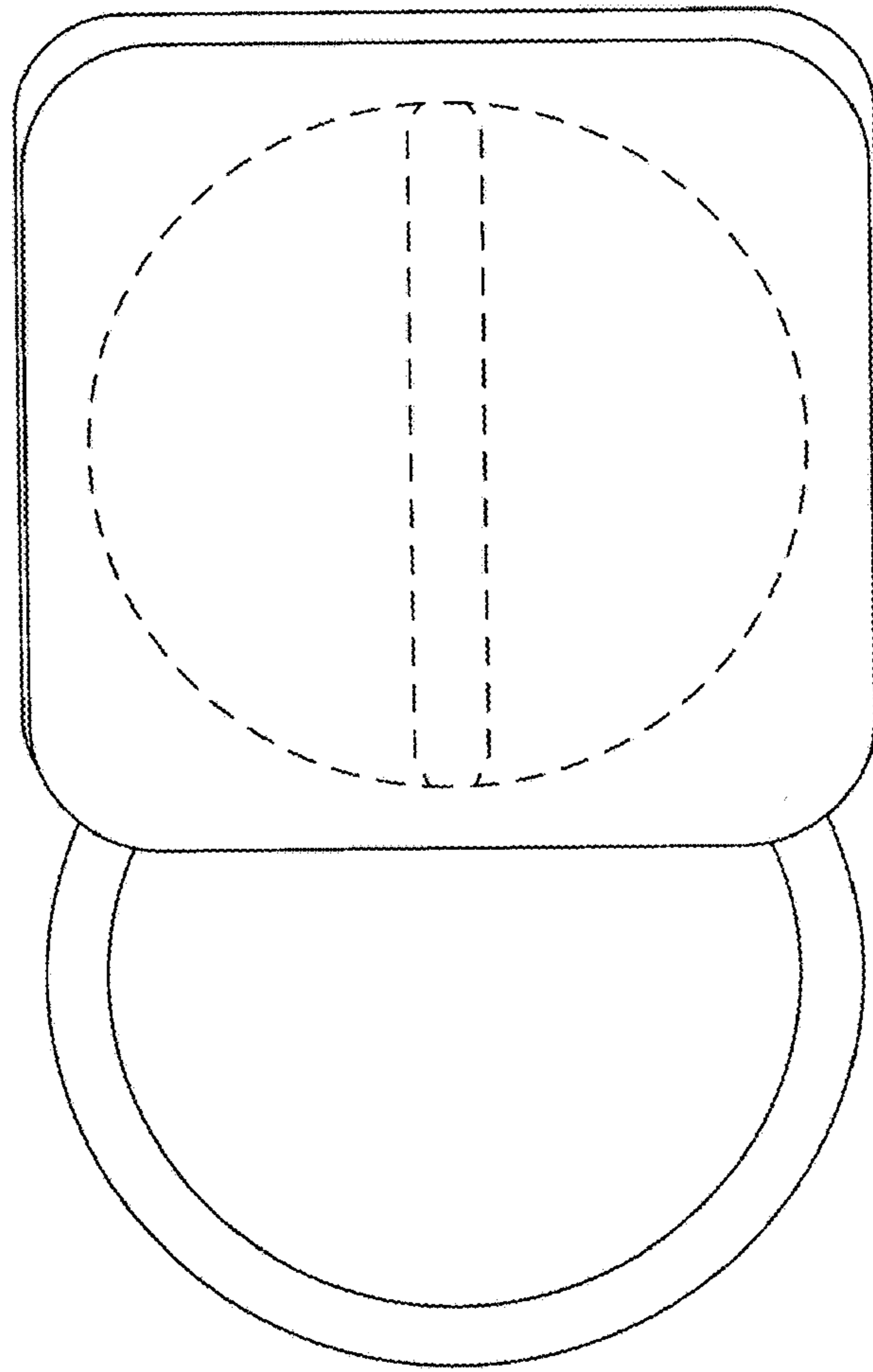


FIG. 5

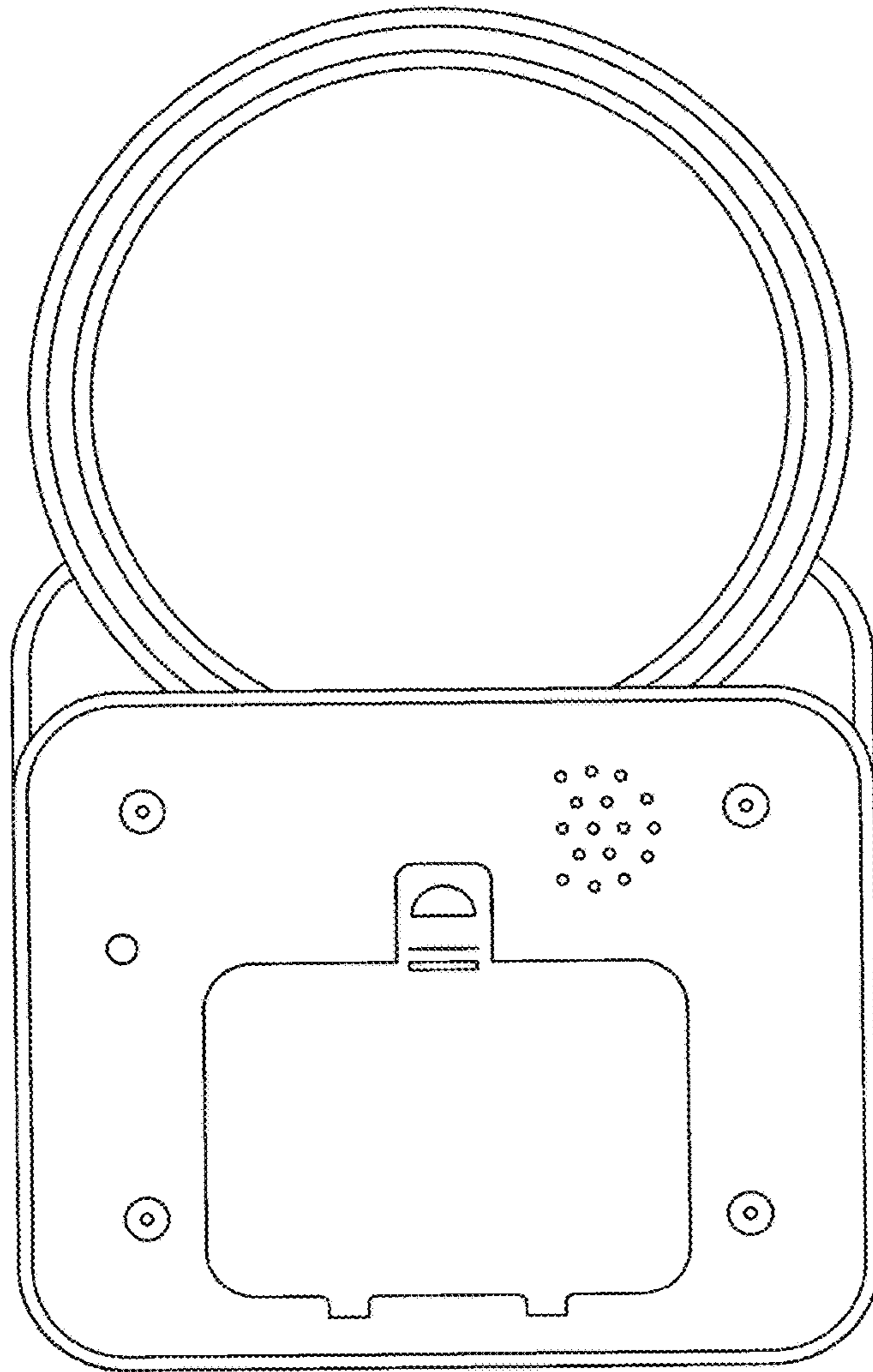


FIG.6

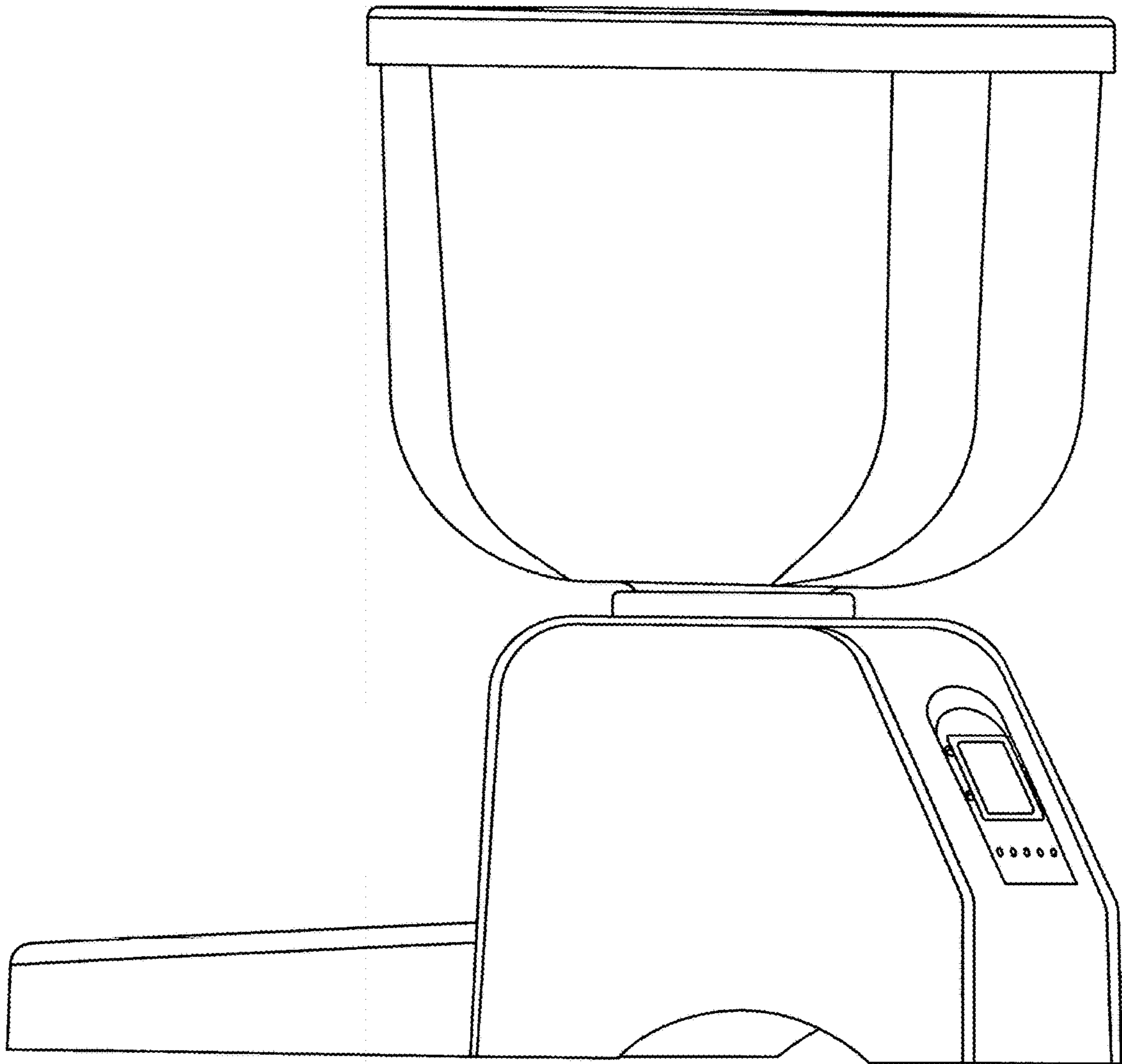


FIG. 7