

US00D846813S

(12) **United States Design Patent**
MacNeil et al.

(10) **Patent No.:** **US D846,813 S**
(45) **Date of Patent:** **** Apr. 23, 2019**

(54) **PET RAMP**
(71) Applicant: **MacNeil IP LLC**, Bolingbrook, IL (US)
(72) Inventors: **David F. MacNeil**, Fort Lauderdale, FL (US); **Frederick W. Masanek, Jr.**, Barrington, IL (US); **David S. Iverson**, Oak Brook, IL (US)

5,933,898 A * 8/1999 Estes B65G 69/30
14/69.5
6,119,634 A 9/2000 Myrick
6,267,082 B1 * 7/2001 Naragon A01K 1/035
119/849
6,318,294 B1 11/2001 Richmond et al.
6,516,752 B2 * 2/2003 Batterton A01K 13/001
119/650

(Continued)

(73) Assignee: **MacNeil IP LLC**, Bolingbrook, IL (US)

(**) Term: **15 Years**

(21) Appl. No.: **29/624,123**

(22) Filed: **Oct. 30, 2017**

Related U.S. Application Data

(62) Division of application No. 29/560,231, filed on Apr. 4, 2016, now abandoned.

(51) **LOC (11) Cl.** **30-02**

(52) **U.S. Cl.**
USPC **D30/119**

(58) **Field of Classification Search**
USPC D30/108, 109, 113, 114, 115, 116, 117,
D30/118, 119, 120; D25/152, 153, 154,
D25/155, 156
CPC A01K 1/035
See application file for complete search history.

(56) **References Cited**

U.S. PATENT DOCUMENTS

D322,872 S * 12/1991 Holbrook 119/28.5
5,213,060 A * 5/1993 Sloan A01K 1/0353
119/28.5
D353,029 S 11/1994 Northrup et al.
D376,874 S 12/1996 Reyes, III
D376,909 S 12/1996 Dickinson et al.
D382,676 S * 8/1997 Holbrook D30/119
D412,224 S * 7/1999 Adler D30/119

OTHER PUBLICATIONS

“PetSTEP Original Folding Pet Ramp”. Found online Nov. 15, 2018 at amazon.com. Page dated Jul. 12, 2003. Retrieved from https://www.amazon.com/PetSTEP-Original-Folding-Ramp-Graphite/dp/B001AR7YII/ref=cm_cr_arp_d_product_top?ie=UTF8.*

(Continued)

Primary Examiner — George D. Kirschbaum
Assistant Examiner — Kendra Leslie Hamilton
(74) *Attorney, Agent, or Firm* — Perkins IP Law Group LLC; Jefferson Perkins

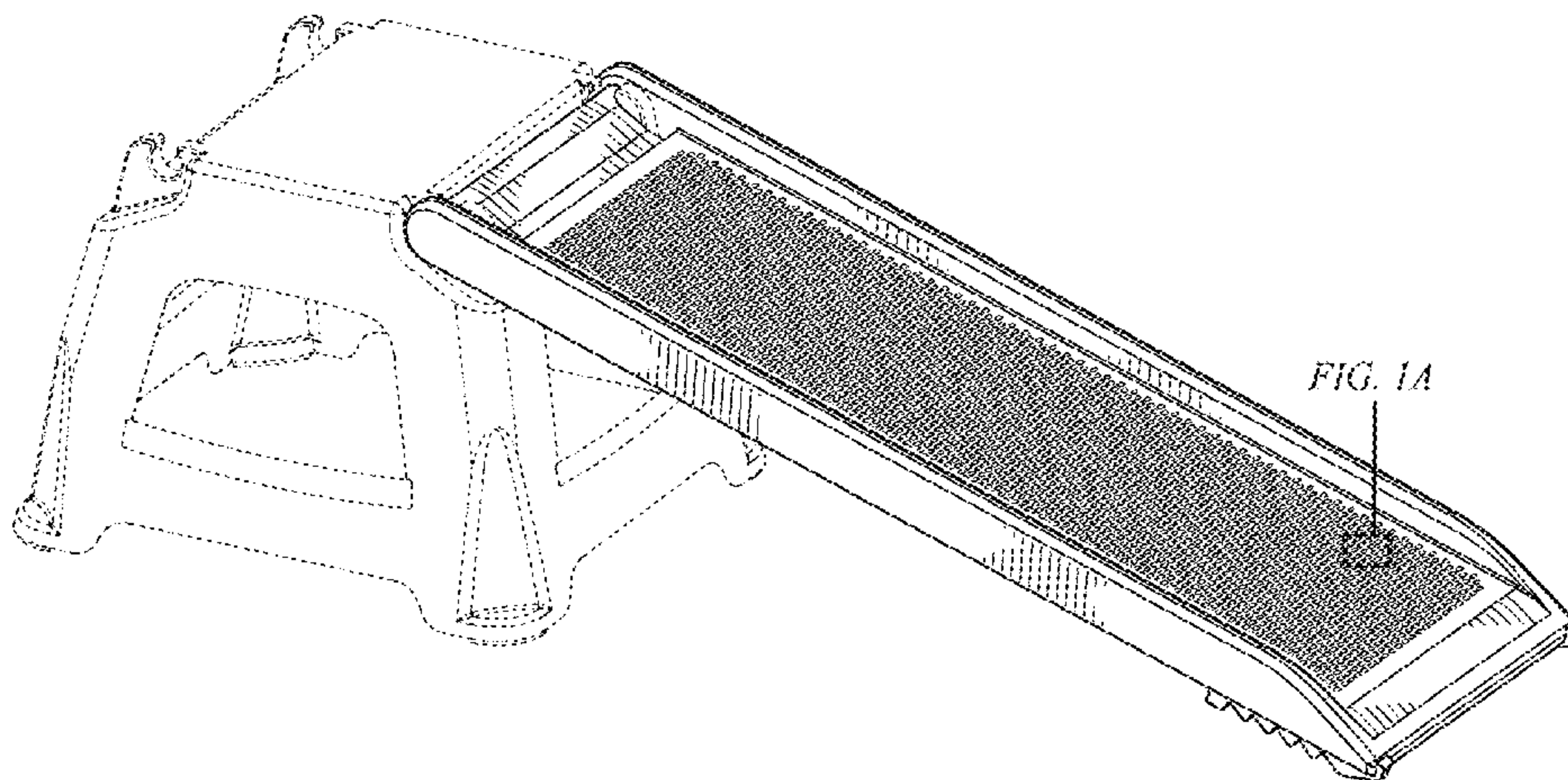
(57) **CLAIM**

We claim the ornamental design for a pet ramp, as shown and described.

DESCRIPTION

FIG. 1 is a top perspective view of our design;
FIG. 1A is a top perspective detail of FIG. 1;
FIG. 2 is magnified top perspective view of our design;
FIG. 2A is a magnified detail taken from the point of view of line 2A-2A of FIG. 2;
FIG. 3 is a top view of our design;
FIG. 4 is a left side view of our design, a right side view being a mirror image of the left side view;
FIG. 5 is a front view of our design; and,
FIG. 6 is a rear view of our design.
The broken lines in the drawings depict environmental subject matter and form no part of the claimed design.

1 Claim, 3 Drawing Sheets



(56)

References Cited

U.S. PATENT DOCUMENTS

| | | | | |
|--------------|------|---------|-------------------|-----------------------------|
| 6,886,660 | B2 | 5/2005 | Sapatova | |
| 6,895,622 | B2 * | 5/2005 | Szekely | E01C 11/24 14/69.5 |
| D558,473 | S | 1/2008 | Mendenhall | |
| D599,062 | S * | 8/2009 | Jakubowski | D30/199 |
| D640,015 | S | 6/2011 | Birck | |
| 8,468,632 | B1 * | 6/2013 | Ricci | A01K 1/035 14/69.5 |
| 8,684,278 | B2 * | 4/2014 | Brown, Jr. | B60B 39/12 238/14 |
| D736,867 | S | 8/2015 | Glickfield | |
| D756,574 | S | 5/2016 | Jakubowski et al. | |
| 9,694,997 | B2 * | 7/2017 | Lopez | B60P 1/43 |
| 9,775,326 | B1 * | 10/2017 | MacNeil | A01K 1/035 |
| 2005/0115522 | A1 | 6/2005 | Bishop | |
| 2016/0302381 | A1 | 10/2016 | Asposito | |

OTHER PUBLICATIONS

“Pet Gear Pet Ramp”. Found online Jan. 19, 2017 at amazon.com. Page dated Jan. 16, 2013. Retrieved from https://www.amazon.com/Pet-Gear-Standing-300-Pounds-Chocolate/dp/B00CGYE0LI/ref=cm_cr_arp_d_product_top?ie=UTF8.

“Internet’s Best Small Adjustable Pet Ramp”. Found online Nov. 15, 2018 at amazon.com. Page dated Oct. 24, 2017. Retrieved from https://www.amazon.com/Internets-Best-Adjustable-Decorative-Friendly/dp/B076H98PRK/ref=cm_cr_arp_d_product_top?ie=UTF8.

“JW Pet Walk Up Small Animal Barn.” Found online Apr. 6, 2017 at amazon.com. Page dated Dec. 23, 2011. Retrieved from https://www.amazon.com/JW-Pet-Company-Animal-Assorted/dp/B003NTJOSS/ref=cm_cr_arp_d_product_top?ie=UTF8.

“Kaytee Woodland Get-A-Way Small Mouse House.” Found online Apr. 6, 2017 at amazon.com. Page dated Feb. 5, 2010. Retrieved from https://www.amazon.com/Kaytee-Woodland-Small-Mouse-House/dp/B0009WMQ7Y/ref=cm_cr_arp_d_product_top?ie=UTF8.

“Paw Climbers Pet Ramp for Beds.” Found online Jan. 19, 2017 at sears.com. Page dated Sep. 24, 2014. Retrieved from <http://web.archive.org/web/20140924003141/http://www.sears.com/paw-climbers-pet-ramp-for-beds/p-SPM9589744625?>.

“Low Platform Pet Ramp.” Found online Jan. 19, 2017 at petclassics.com. Page dated Sep. 17, 2011. Retrieved from <http://web.archive.org/web/20110917150034/http://www.petclassics.com/Sofa-Ramps-For-Pets/low-plafform-pet-ramp.74.html>.

* cited by examiner

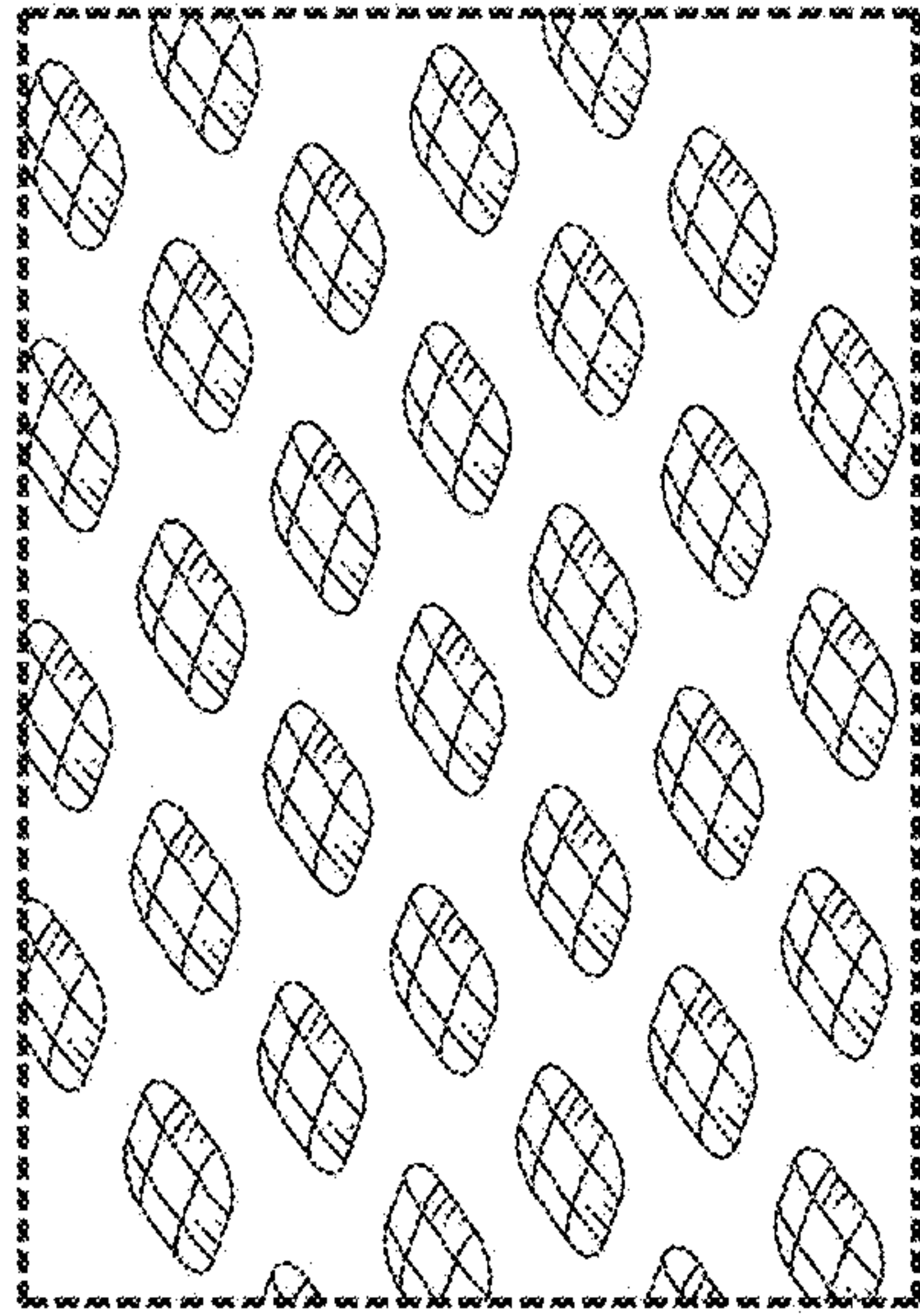


FIG. 1A

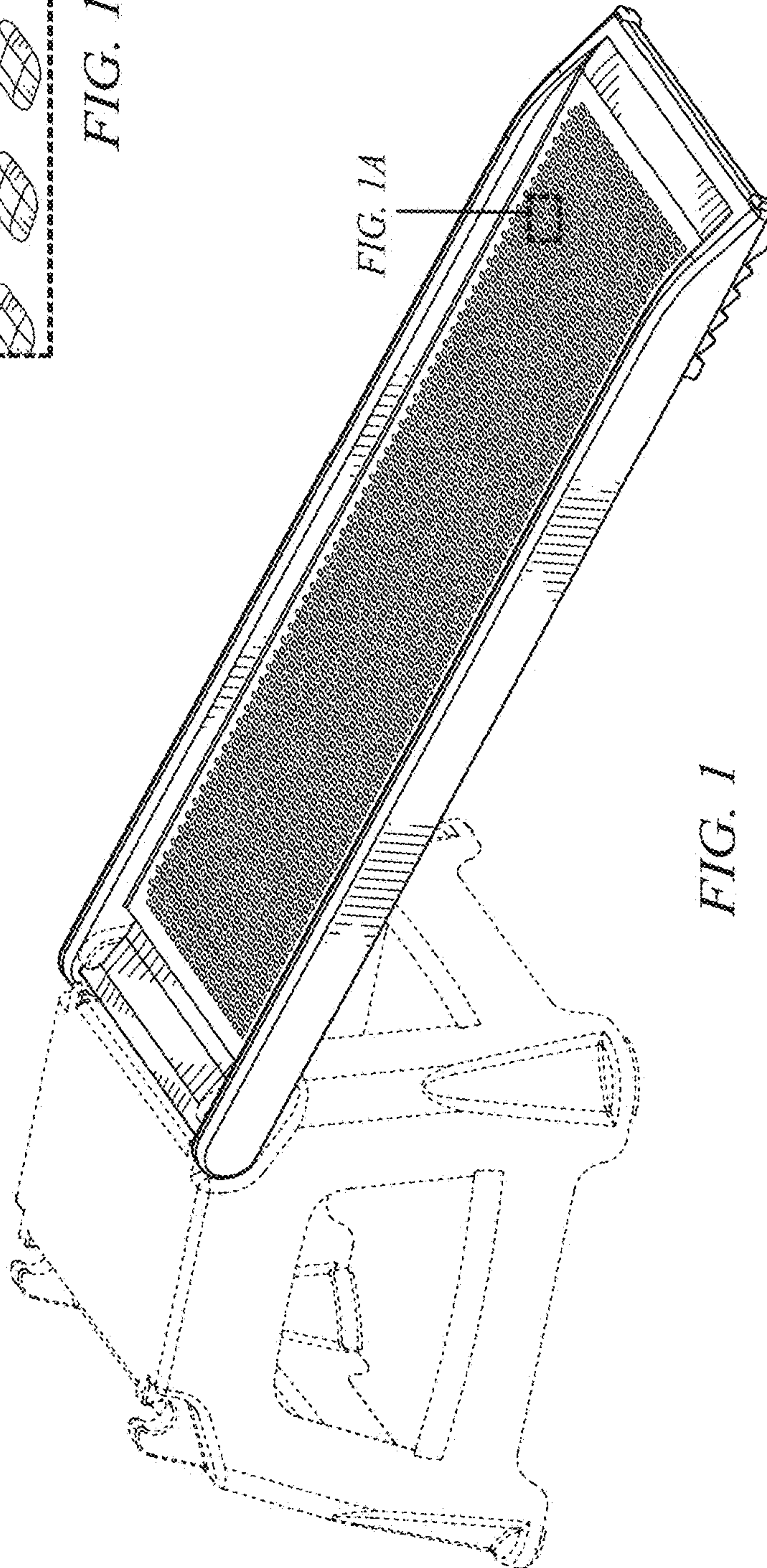
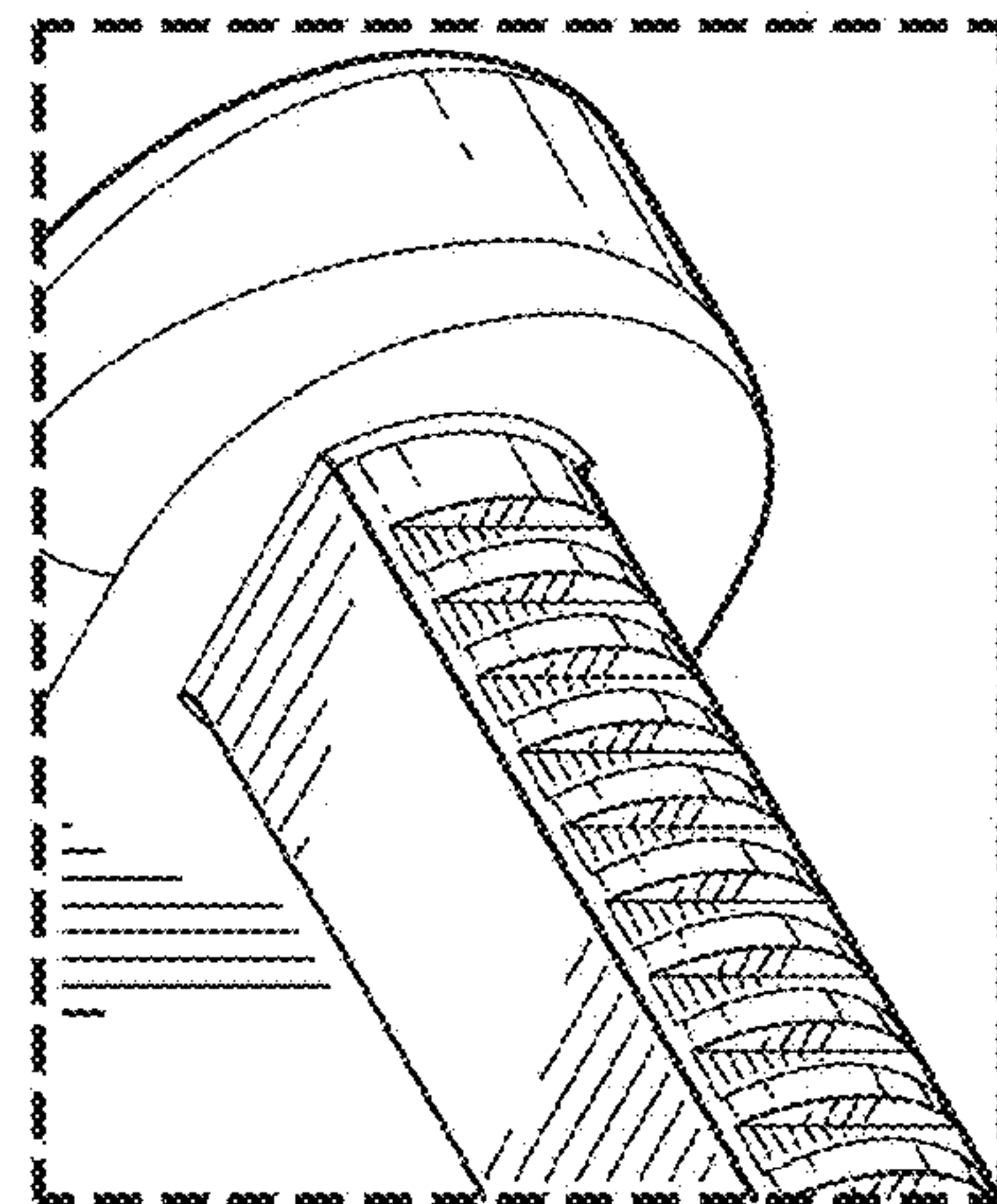
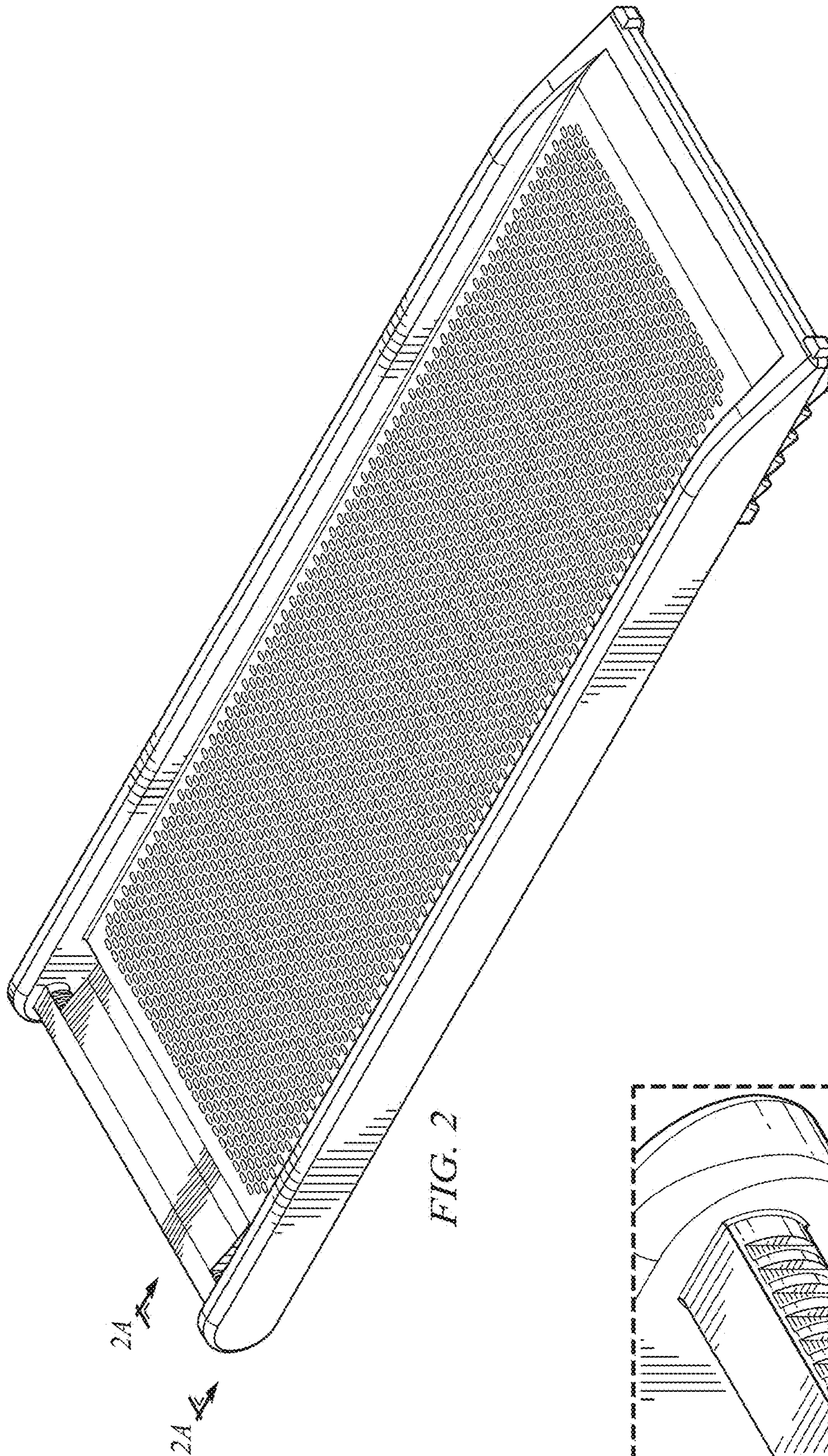


FIG. 1



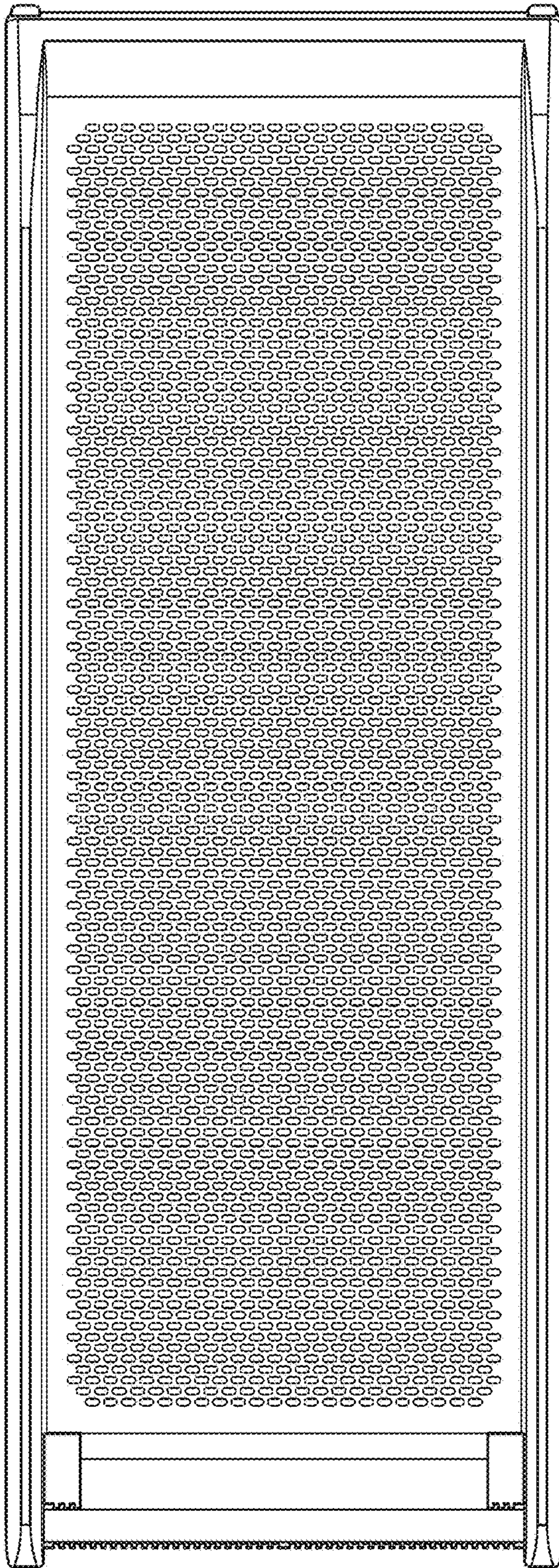


FIG. 3

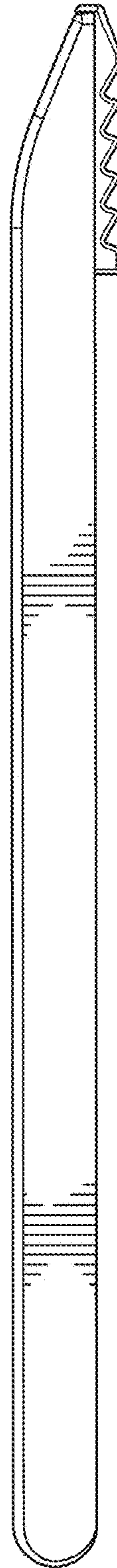


FIG. 4

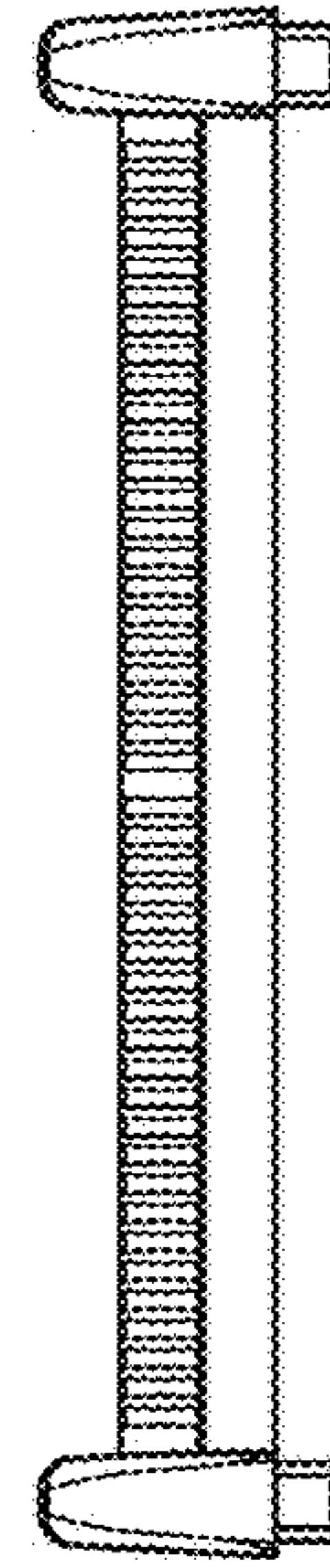


FIG. 6

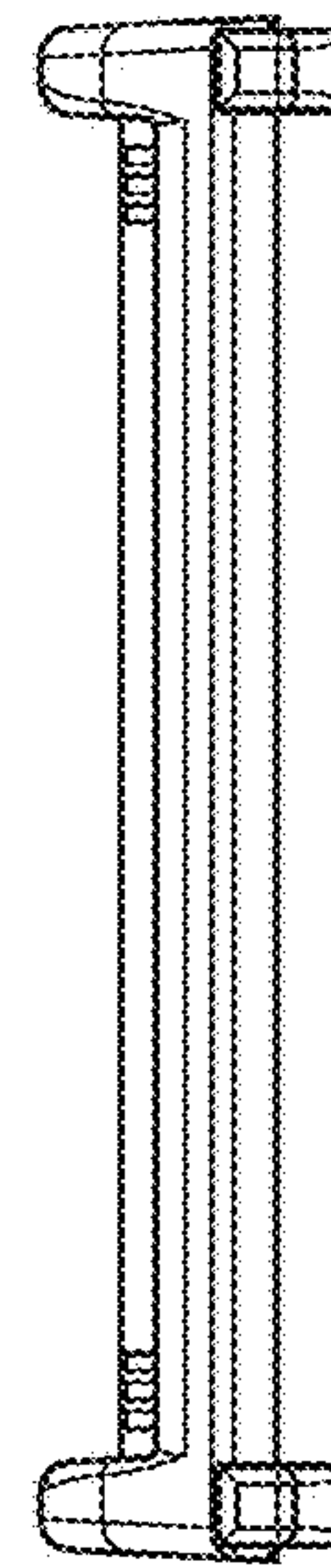


FIG. 5