

US00D846811S

(12) **United States Design Patent**  
**Koskey, Jr. et al.**

(10) **Patent No.: US D846,811 S**  
(45) **Date of Patent: \*\* Apr. 23, 2019**

- (54) **MOUNTABLE PET HABITAT**
- (71) Applicant: **K&H Manufacturing, LLC**, Colorado Springs, CO (US)
- (72) Inventors: **James Donald Koskey, Jr.**, Manitou Springs, CO (US); **Fara Lynn Erspamer**, Colorado Springs, CO (US)
- (73) Assignee: **K&H Manufacturing, LLC**, Colorado Springs, CO (US)
- (\*\*) Term: **15 Years**
- (21) Appl. No.: **29/600,390**
- (22) Filed: **Apr. 12, 2017**
- (51) **LOC (11) Cl. .... 03-02**
- (52) **U.S. Cl.**  
USPC ..... **D30/108**
- (58) **Field of Classification Search**  
USPC ..... D30/108, 109, 114, 116, 118, 119, 120;  
119/484, 496, 498  
CPC ..... A01K 1/035; A01K 1/033; A01K 1/0064;  
A01K 1/0254; D03D 1/0017; D03D  
27/00; F16M 13/02  
See application file for complete search history.

- D804,738 S \* 12/2017 Nourollah ..... D30/109
- D820,526 S \* 6/2018 Wilson ..... D30/108
- 10,010,049 B2 \* 7/2018 Kellogg ..... A01K 1/034
- 2006/0042558 A1 \* 3/2006 Stephens ..... A01K 1/033  
119/484
- 2006/0213452 A1 \* 9/2006 King ..... A01K 1/0245  
119/496

(Continued)

**OTHER PUBLICATIONS**

“K & H Pet Products EZ Mount Penthouse”, posted Sep. 17, 2017 [online], [retrieved Jul. 18, 2018]. Retrieved from Internet: [https://www.amazon.com/Pet-Products-Mount-Penthouse-Black/dp/B06XGZWZZK/ref=cm\\_cr\\_ar\\_p\\_d\\_product\\_top?ie=UTF8.\\*](https://www.amazon.com/Pet-Products-Mount-Penthouse-Black/dp/B06XGZWZZK/ref=cm_cr_ar_p_d_product_top?ie=UTF8.*)

(Continued)

*Primary Examiner* — Barbara Fox  
*Assistant Examiner* — Mehri F Bajoul  
(74) *Attorney, Agent, or Firm* — Ice Miller LLP

(57) **CLAIM**

We claim the ornamental design for a mountable pet habitat, as shown and described.

**DESCRIPTION**

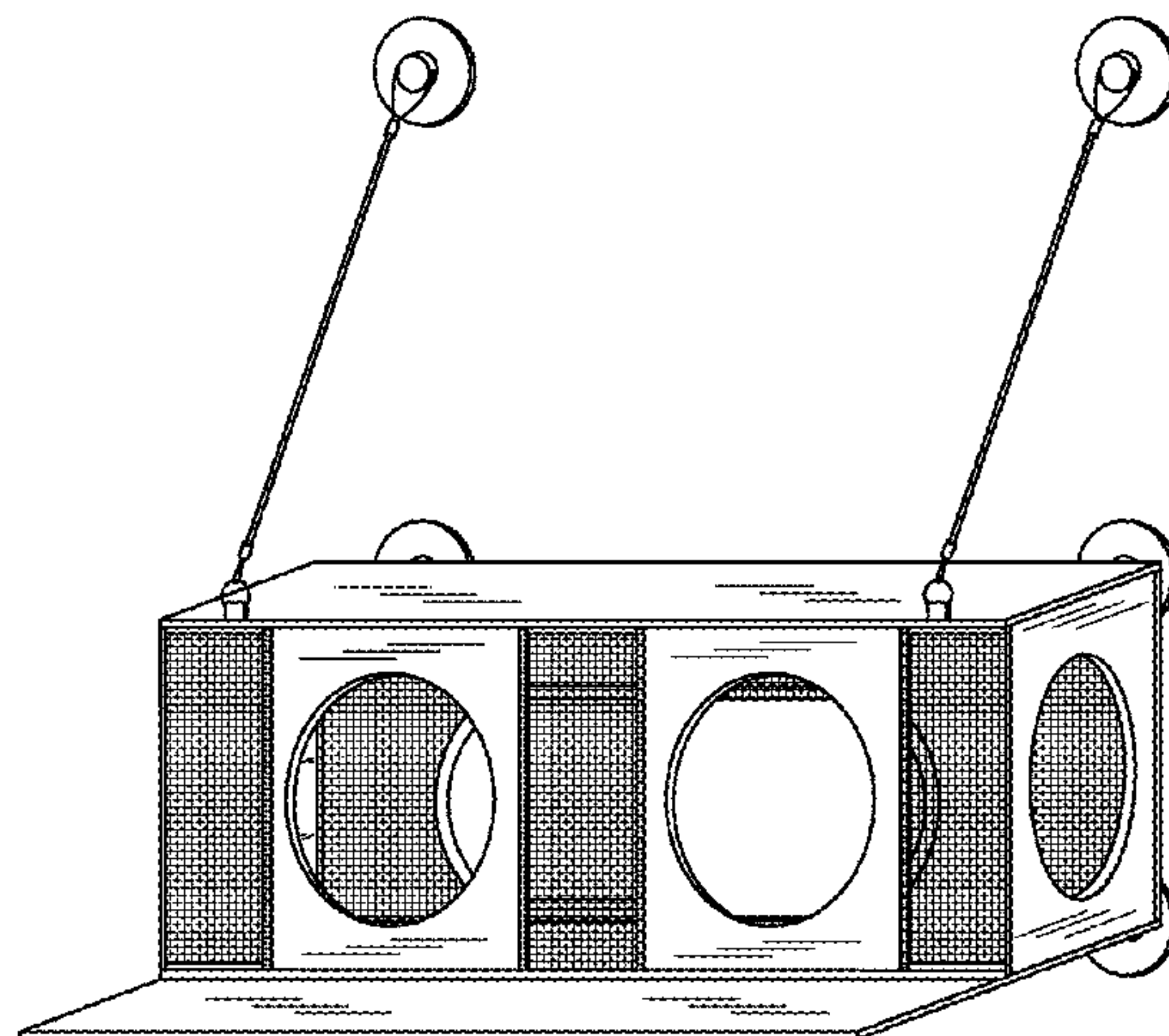
FIG. 1 is a top right perspective view of a mountable pet habitat showing our new design;  
FIG. 2 is a front view of mountable pet habitat of FIG. 1;  
FIG. 3 is a back view of the mountable pet habitat of FIG. 1;  
FIG. 4 is a left side view of the mountable pet habitat of FIG. 1;  
FIG. 5 is a right side view of the mountable pet habitat of FIG. 1;  
FIG. 6 is a top view of the mountable pet habitat of FIG. 1; and,  
FIG. 7 is a bottom view of the mountable pet habitat of FIG. 1.

**1 Claim, 7 Drawing Sheets**

(56) **References Cited**

**U.S. PATENT DOCUMENTS**

- 4,989,546 A \* 2/1991 Cannaday ..... A01K 1/033  
119/484
- D520,190 S \* 5/2006 Joyner ..... D30/108
- 7,066,647 B2 \* 6/2006 Peska ..... B65D 31/12  
190/107
- 7,228,820 B1 \* 6/2007 Kellogg ..... A01K 1/03  
119/498
- D611,201 S \* 3/2010 Jakubowski ..... D30/108
- D613,000 S \* 3/2010 Ward ..... D30/108
- 7,789,044 B2 \* 9/2010 McGrade ..... A01K 1/0254  
119/496
- 8,079,328 B2 \* 12/2011 Lott ..... A01K 1/0245  
119/453
- D789,622 S \* 6/2017 Kellogg ..... D30/160



(56)

**References Cited**

U.S. PATENT DOCUMENTS

2010/0126427 A1\* 5/2010 McGrade ..... A01K 1/0254  
119/496  
2011/0308476 A1\* 12/2011 Chang ..... A01K 1/0254  
119/497  
2017/0137206 A1\* 5/2017 Ting ..... B65D 81/368

OTHER PUBLICATIONS

“Kitty Peeper”, posted Oct. 20, 2017[online], [retrieved Jul. 18, 2018] :[https://www.etsy.com/listing/532469440/kitty-peeper-cat-window-patio-catio?gpla=1&gao=1&&utm\\_source=google&utm\\_medium=cpc&utm\\_campaign=shopping\\_us\\_a-pet\\_supplies-pet\\_furniture-play\\_furniture&utm\\_custom1=0daed665-7a9d-4f7e-a3e9--78373217062f&g](https://www.etsy.com/listing/532469440/kitty-peeper-cat-window-patio-catio?gpla=1&gao=1&&utm_source=google&utm_medium=cpc&utm_campaign=shopping_us_a-pet_supplies-pet_furniture-play_furniture&utm_custom1=0daed665-7a9d-4f7e-a3e9--78373217062f&g).\*

“K&H Manufacturing Pet Products EZ Window Mount Kitty Sill—Single Level or Couble Stack”, posted Oct. 7, 2015 [online], [retrieved Jul. 18, 2018]. Retrieved from Internet: [https://www.amazon.com/Pet-Products-Mount-Window-Double/dp/B00YGGZACQM/ref=cm\\_cr\\_arp\\_d\\_product\\_top?ie=UTF8](https://www.amazon.com/Pet-Products-Mount-Window-Double/dp/B00YGGZACQM/ref=cm_cr_arp_d_product_top?ie=UTF8).\*

\* cited by examiner

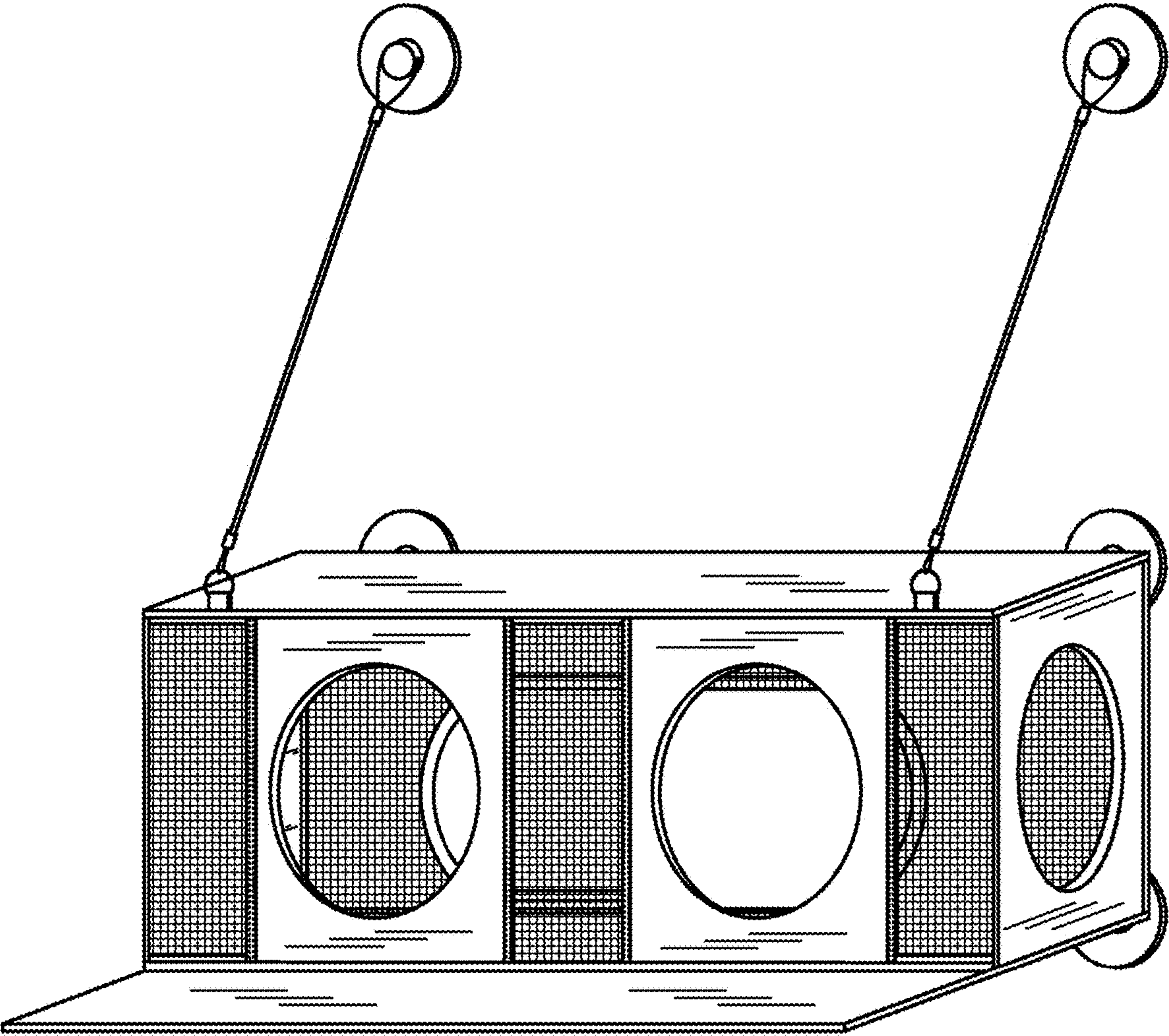


FIG. 1



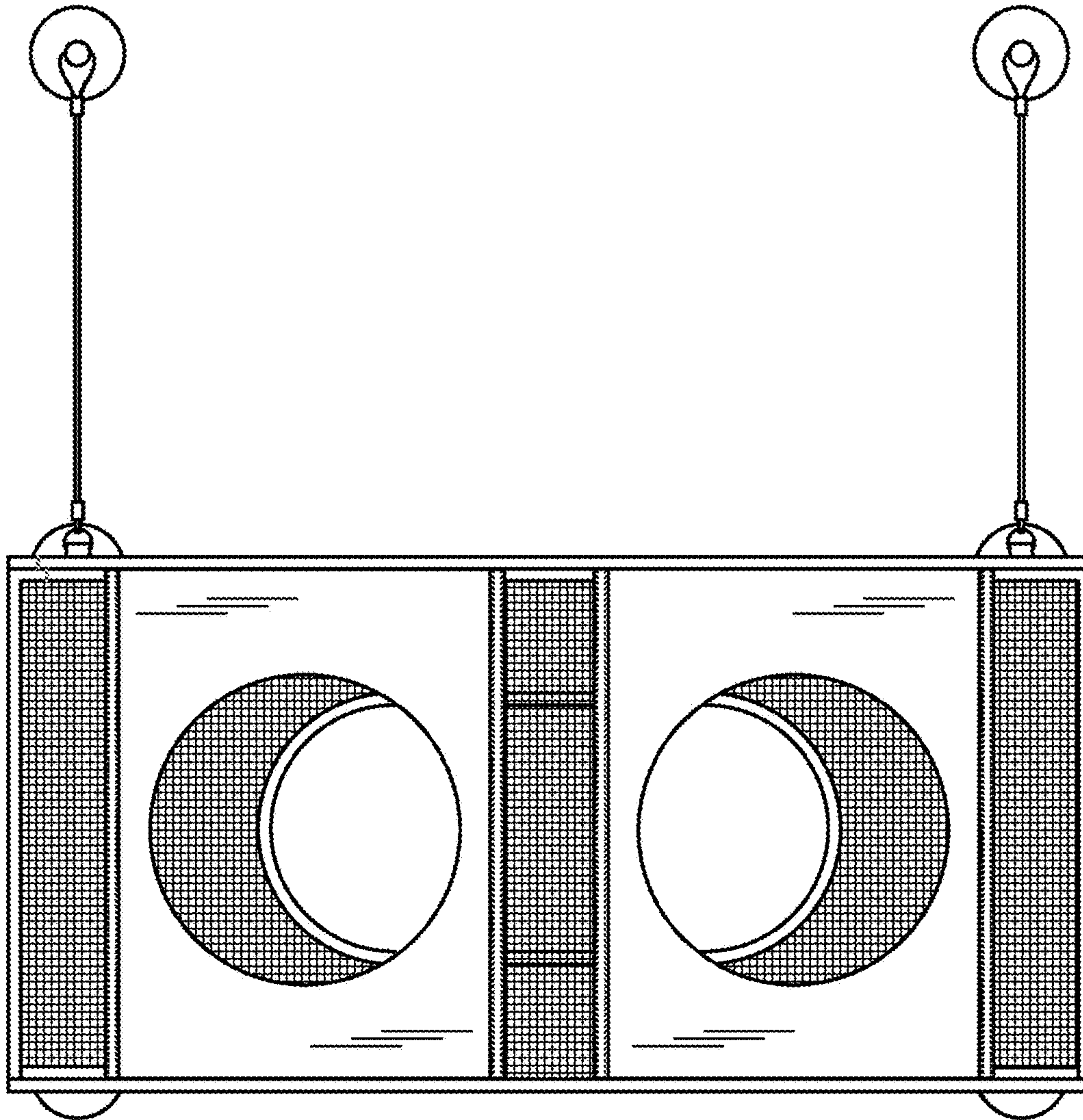


FIG. 2

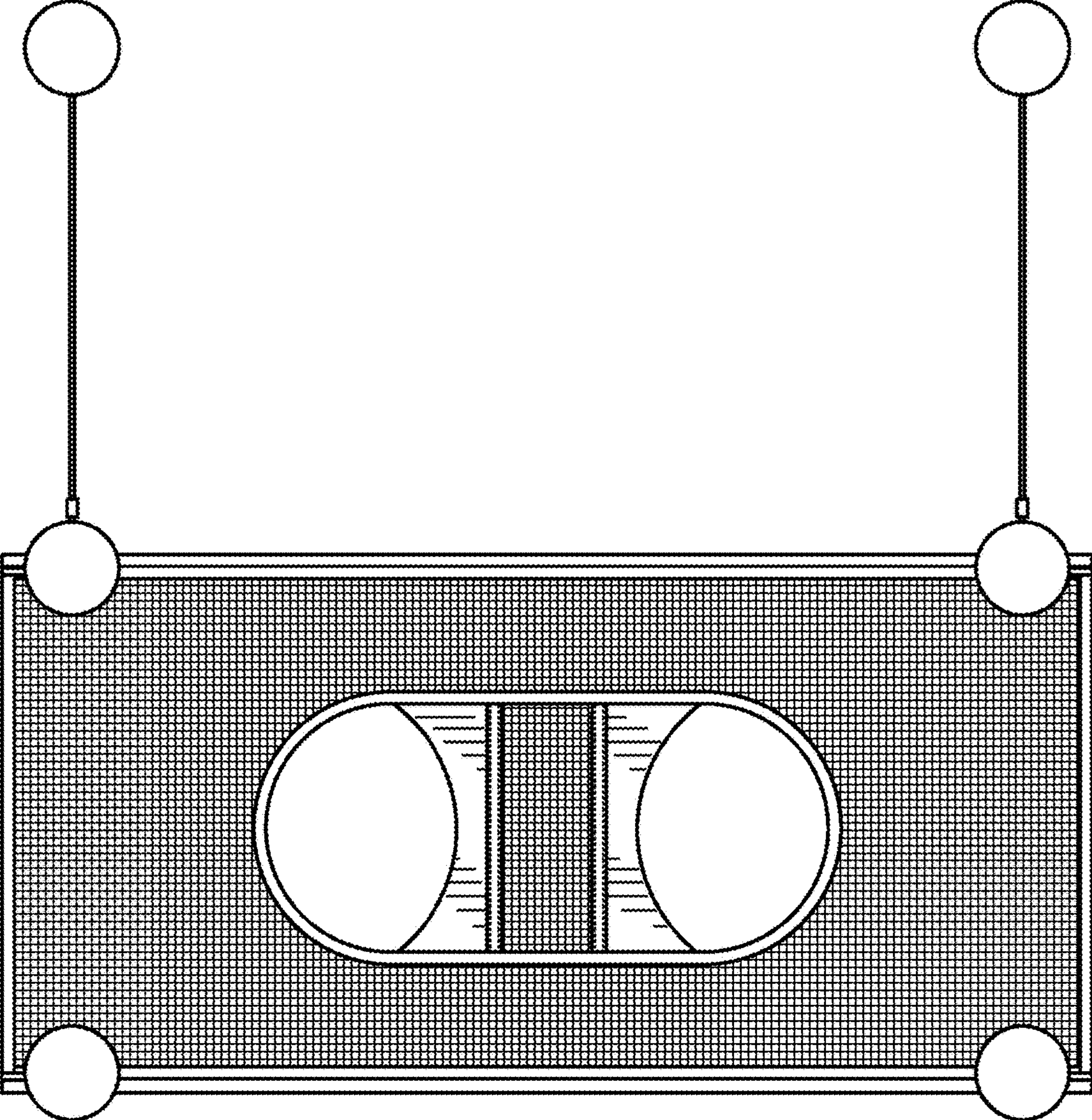


FIG. 3

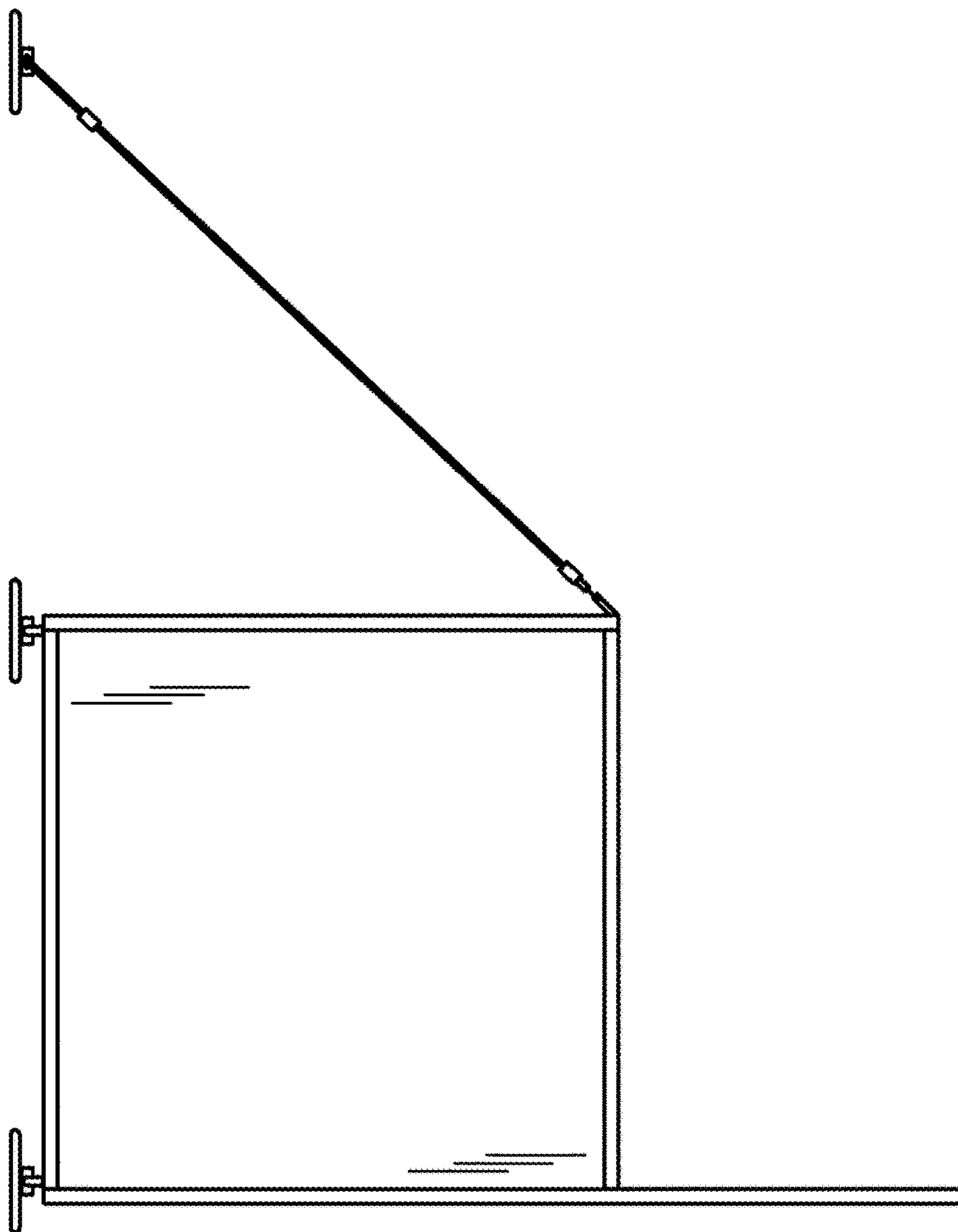


FIG. 4

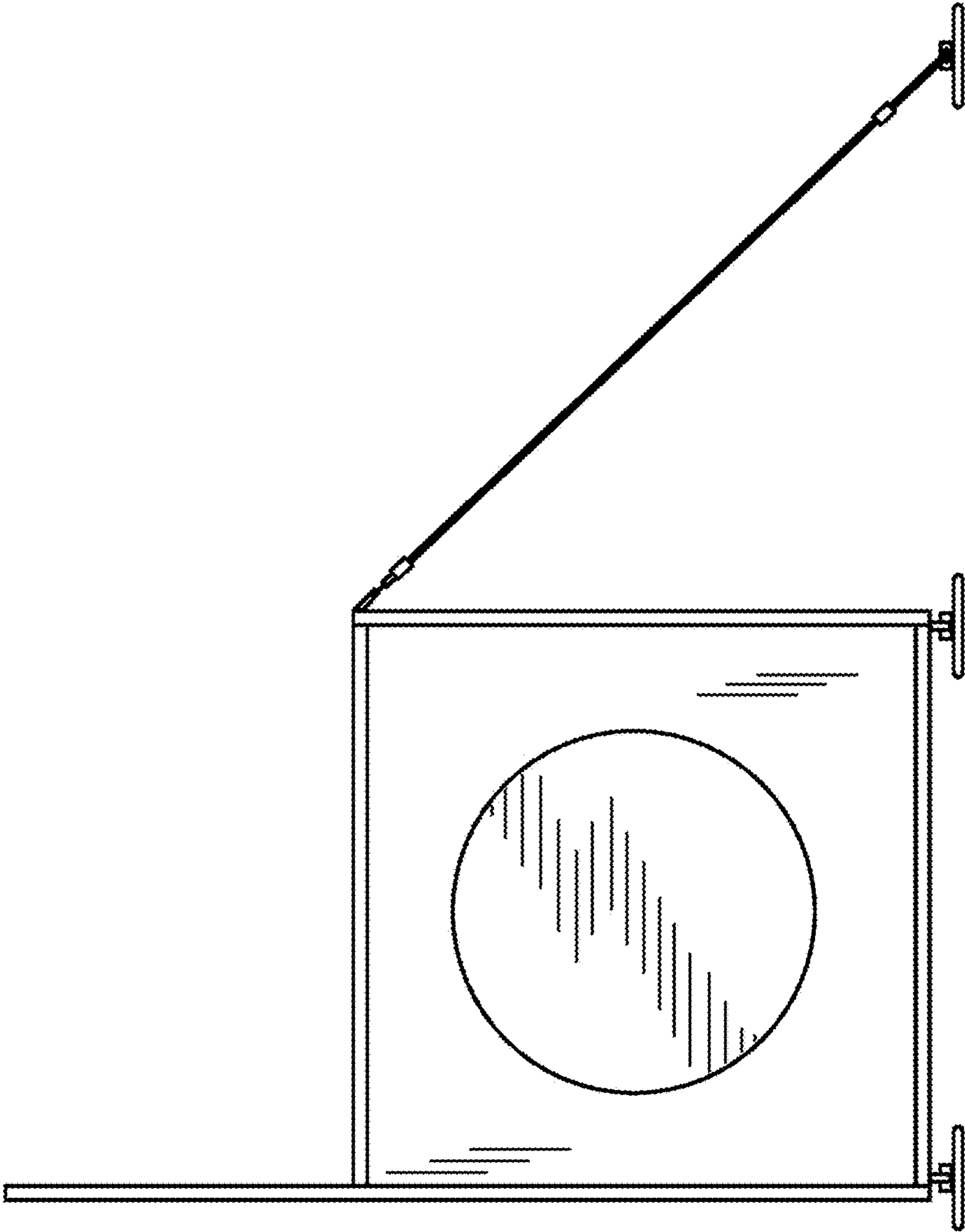


FIG. 5

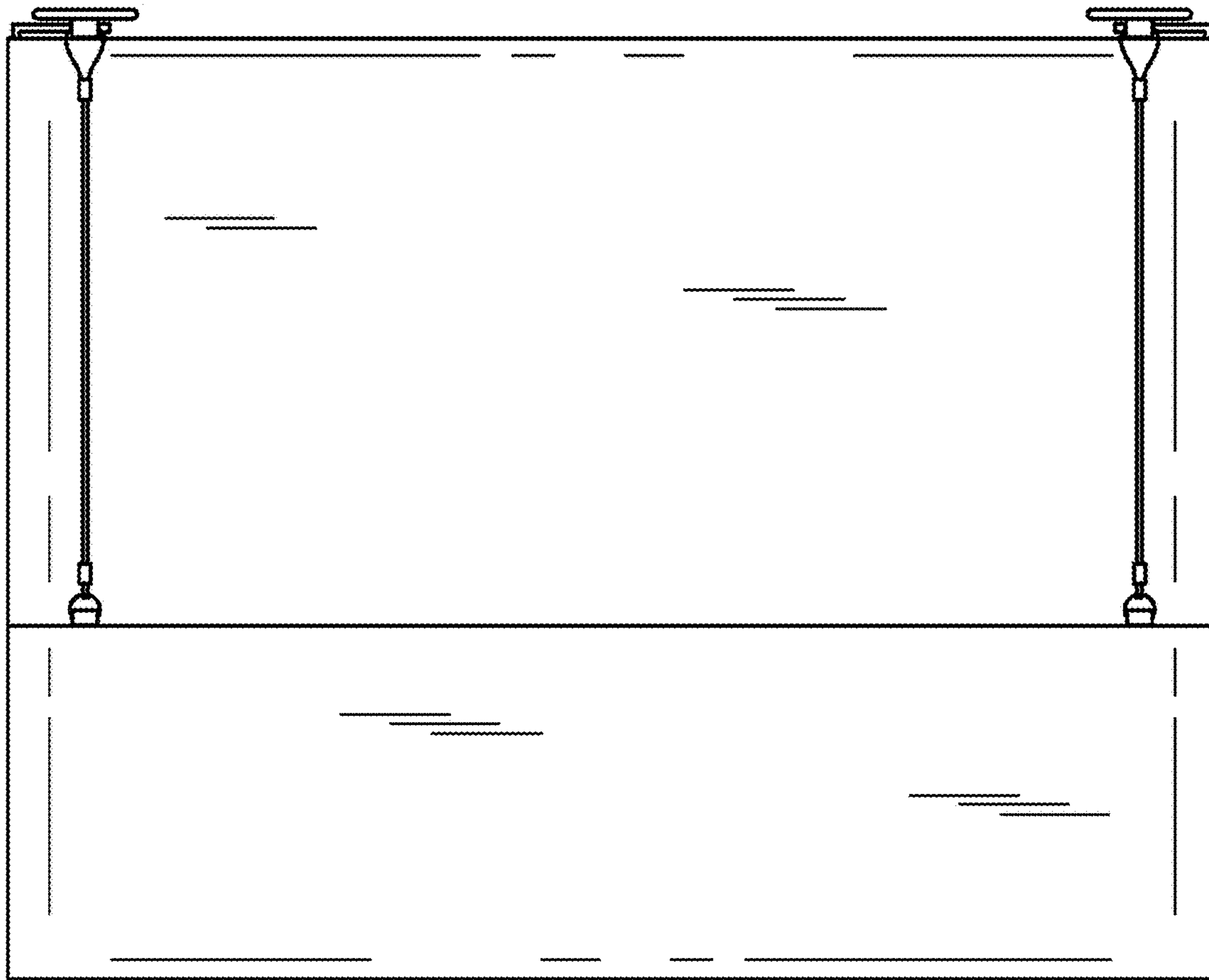


FIG. 6



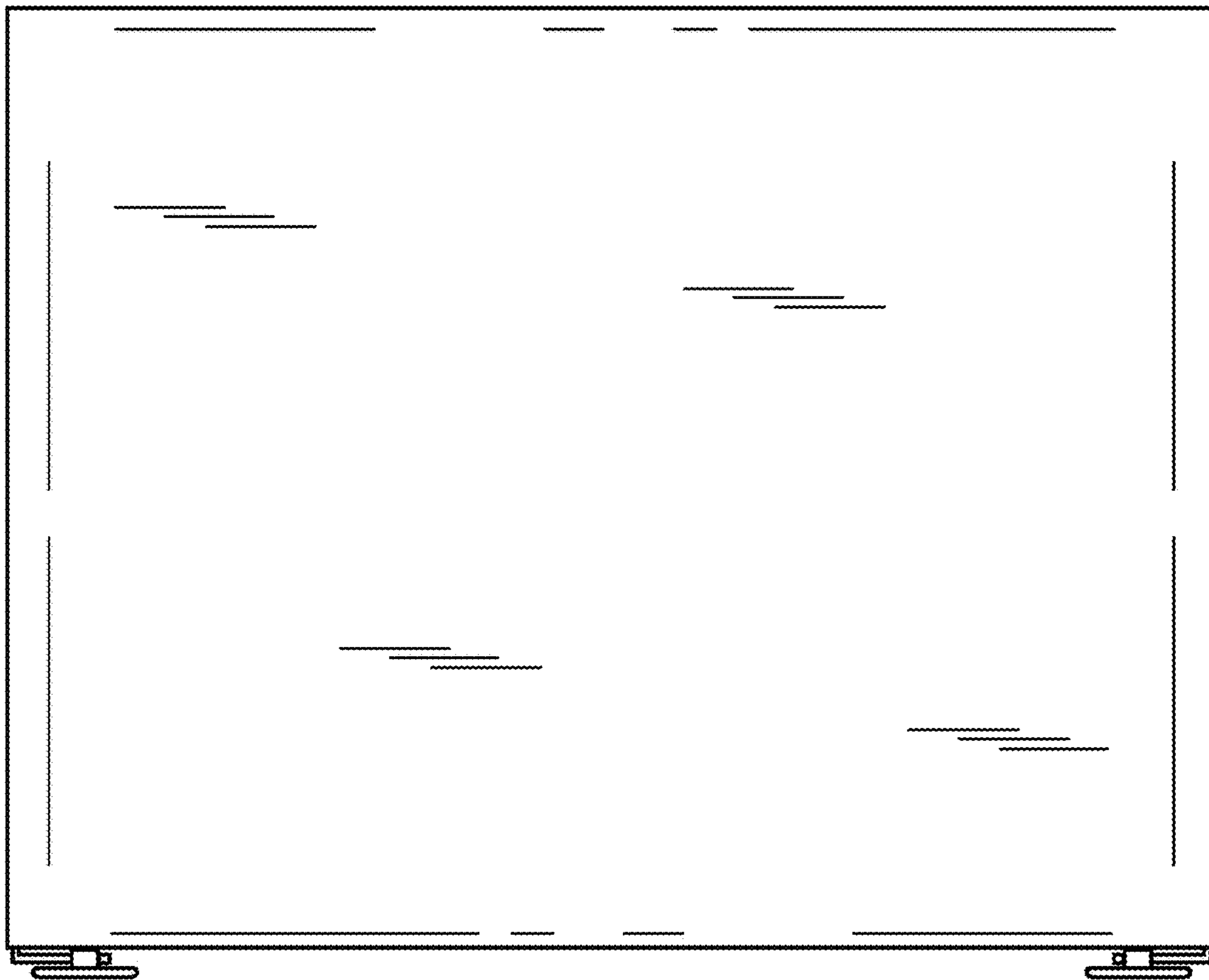


FIG. 7