



US00D846804S

(12) **United States Design Patent**
Kim

(10) **Patent No.:** **US D846,804 S**

(45) **Date of Patent:** **** Apr. 23, 2019**

(54) **NAIL CLIPPER**

(71) Applicant: **ROYAL METAL INDUSTRIAL CO., LTD.**, Bucheon-si, Gyeonggi-do (KR)

(72) Inventor: **Kap Soo Kim**, Siheung-si (KR)

(73) Assignee: **ROYAL METAL INDUSTRIAL CO., LTD.**, Bucheon-si (KR)

(**) Term: **15 Years**

(21) Appl. No.: **29/608,838**

(22) Filed: **Jun. 26, 2017**

(30) **Foreign Application Priority Data**

Dec. 29, 2016 (KR) 30-2016-0064101

(51) **LOC (11) Cl.** **28-03**

(52) **U.S. Cl.**
USPC **D28/60**

(58) **Field of Classification Search**
USPC D28/60
CPC A45D 29/02–29/023
See application file for complete search history.

(56) **References Cited**

U.S. PATENT DOCUMENTS

D198,660 S * 7/1964 Britton D28/60
D270,955 S * 10/1983 Hannon D28/60
D313,874 S * 1/1991 Schulz D28/60
5,063,666 A * 11/1991 Tsay A45D 29/02
132/75.5

5,150,521 A * 9/1992 Han A45D 29/023
132/75.5
D347,296 S * 5/1994 Adelman D28/60
D384,773 S * 10/1997 Dunn D28/60
D554,289 S * 10/2007 Johnson D28/60
D559,463 S * 1/2008 Garland D28/60
D581,098 S * 11/2008 Fiene D28/60
9,693,617 B2 * 7/2017 LaTorre A45D 29/023
2002/0178585 A1 * 12/2002 Yang A45D 29/02
30/28
2005/0160604 A1 * 7/2005 Di Bitonto A45D 29/02
30/28

* cited by examiner

Primary Examiner — Jennifer Rivard

(74) *Attorney, Agent, or Firm* — Novick, Kim & Lee, PLLC; Jae Youn Kim

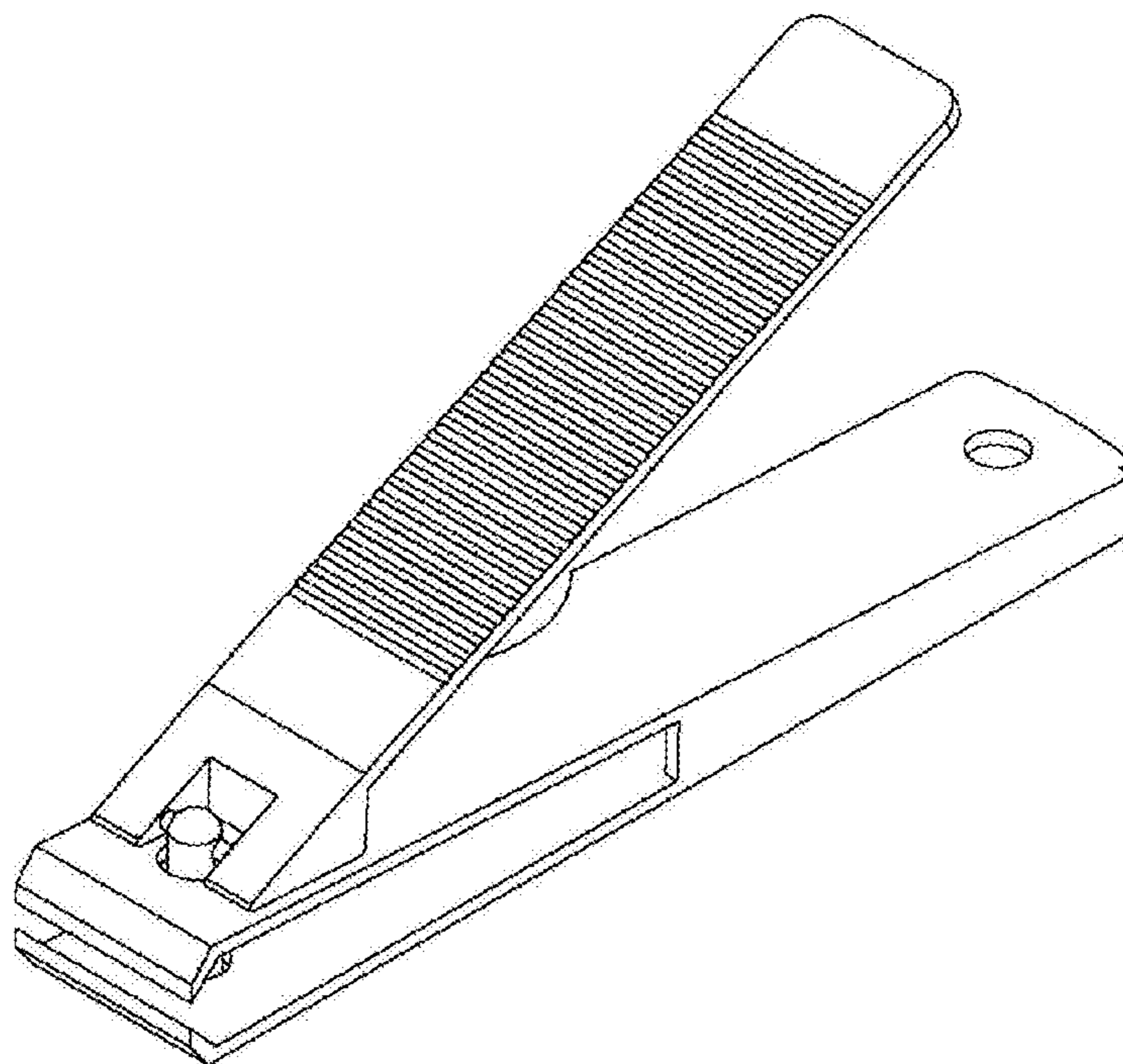
(57) **CLAIM**

I claim, the ornamental design for a nail clipper, as shown and described.

DESCRIPTION

FIG. 1 is a perspective view of a nail clipper, showing my new design;
FIG. 2 is a front elevational view thereof;
FIG. 3 is a rear elevational view thereof;
FIG. 4 is a left side elevational view thereof;
FIG. 5 is a right side elevational view thereof;
FIG. 6 is a top plan view thereof; and,
FIG. 7 is a bottom plan view thereof.

1 Claim, 6 Drawing Sheets



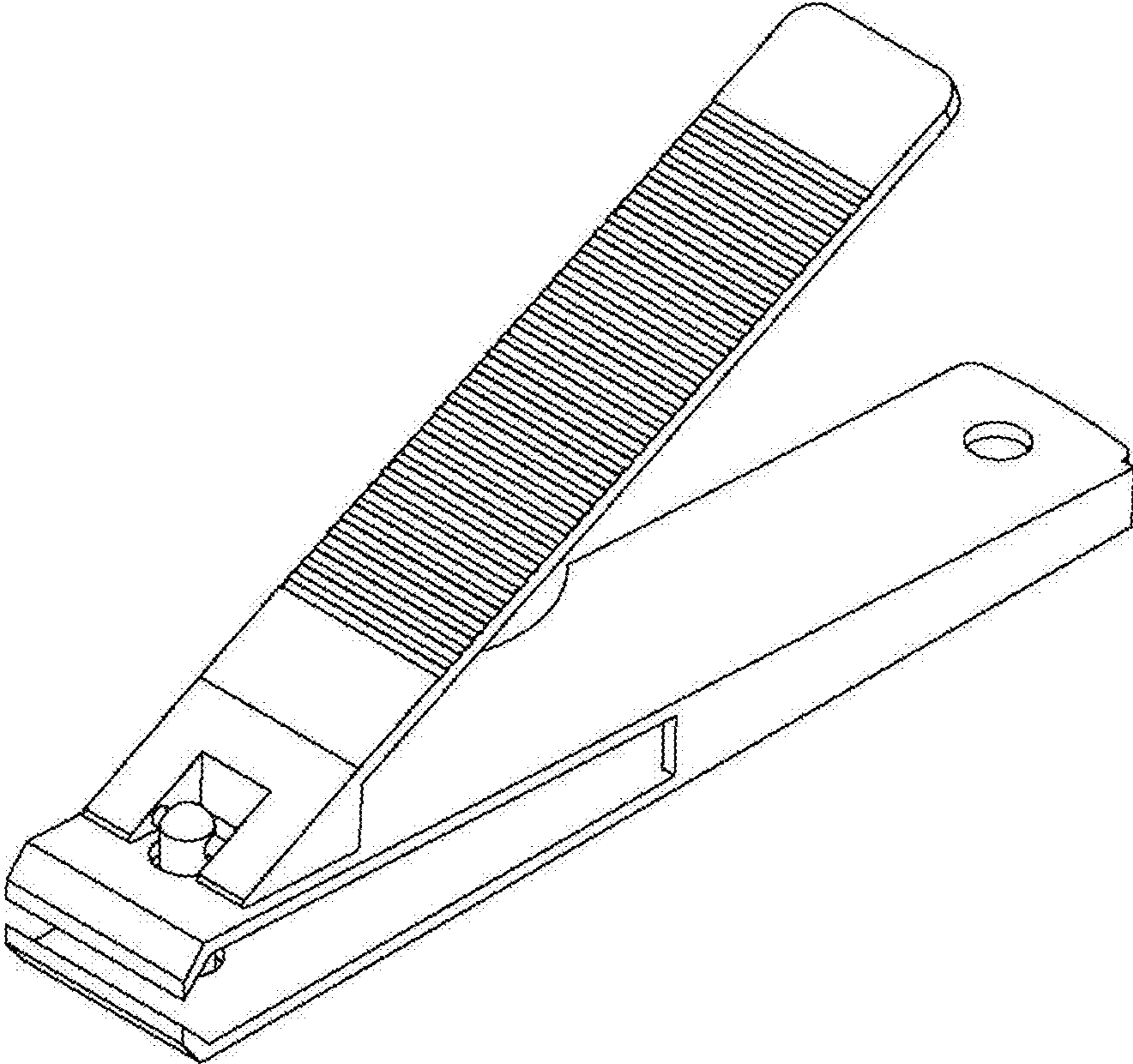


FIG. 1

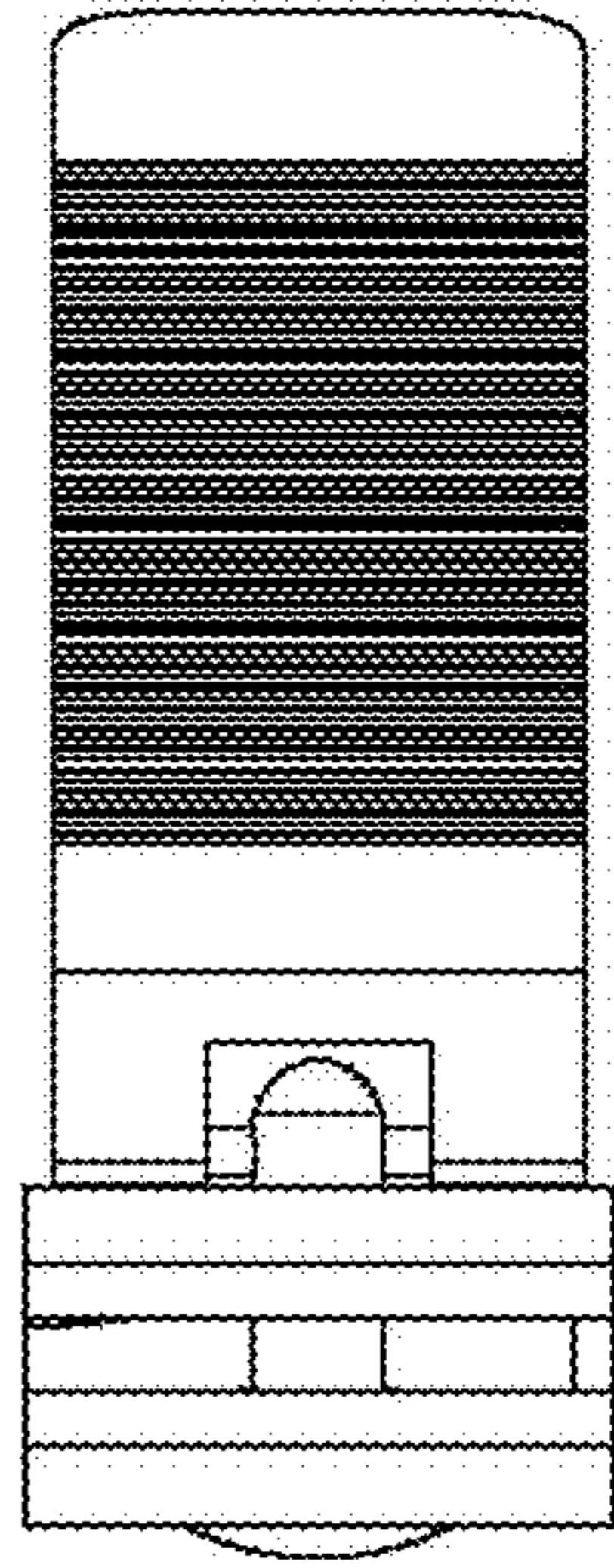


FIG. 2

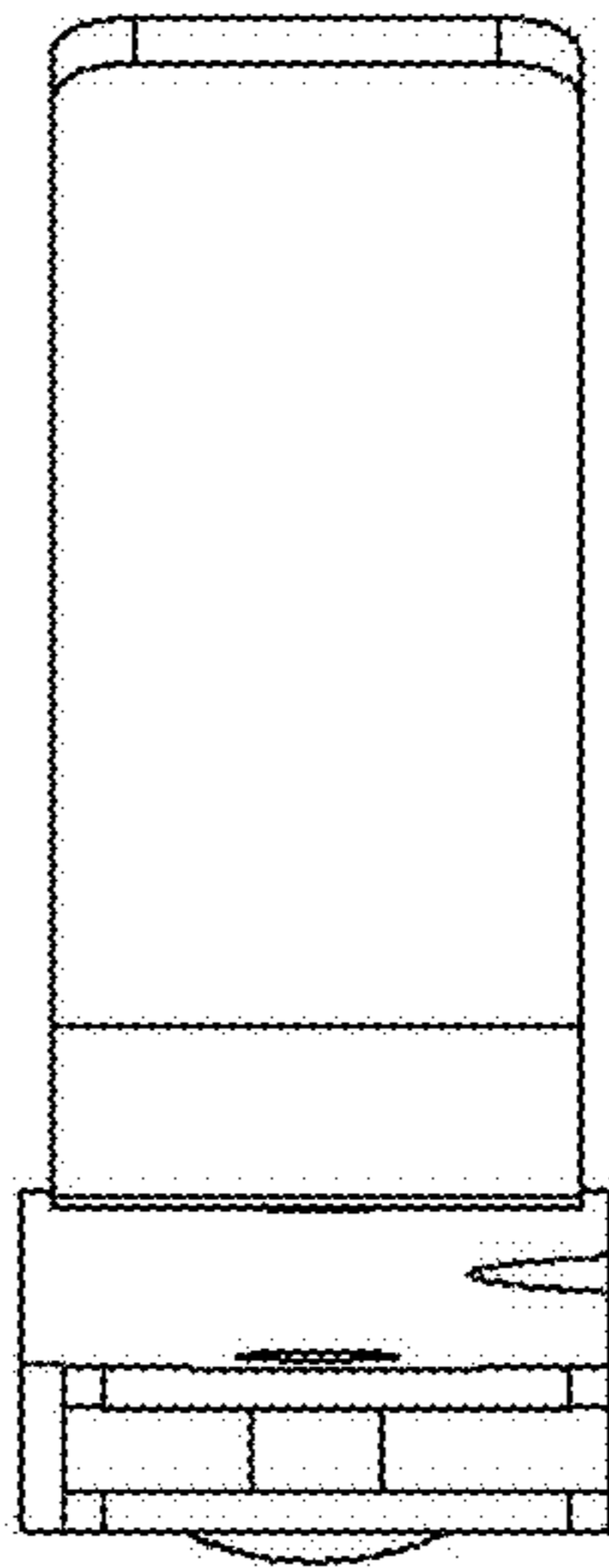


FIG. 3

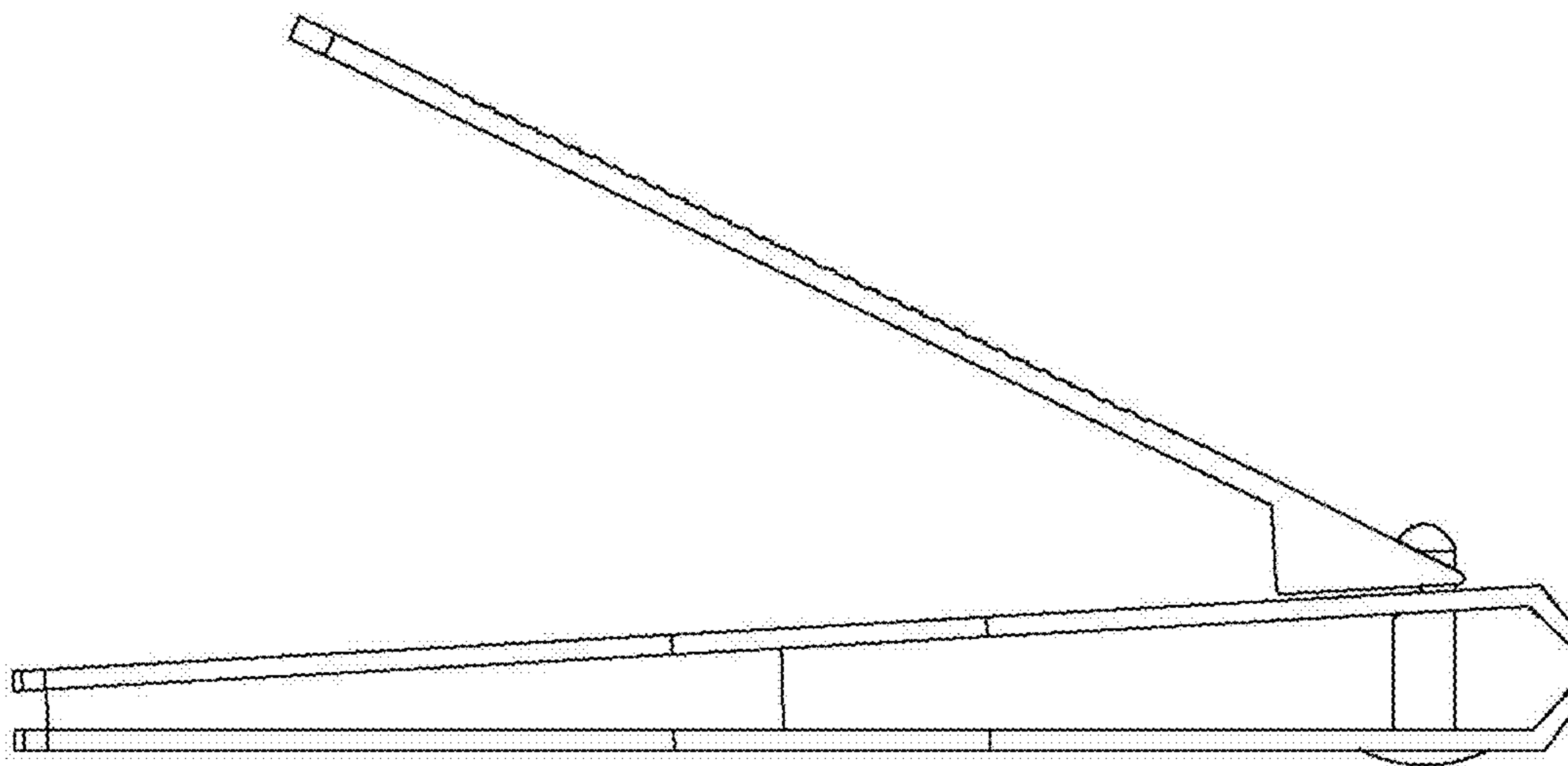


FIG. 4

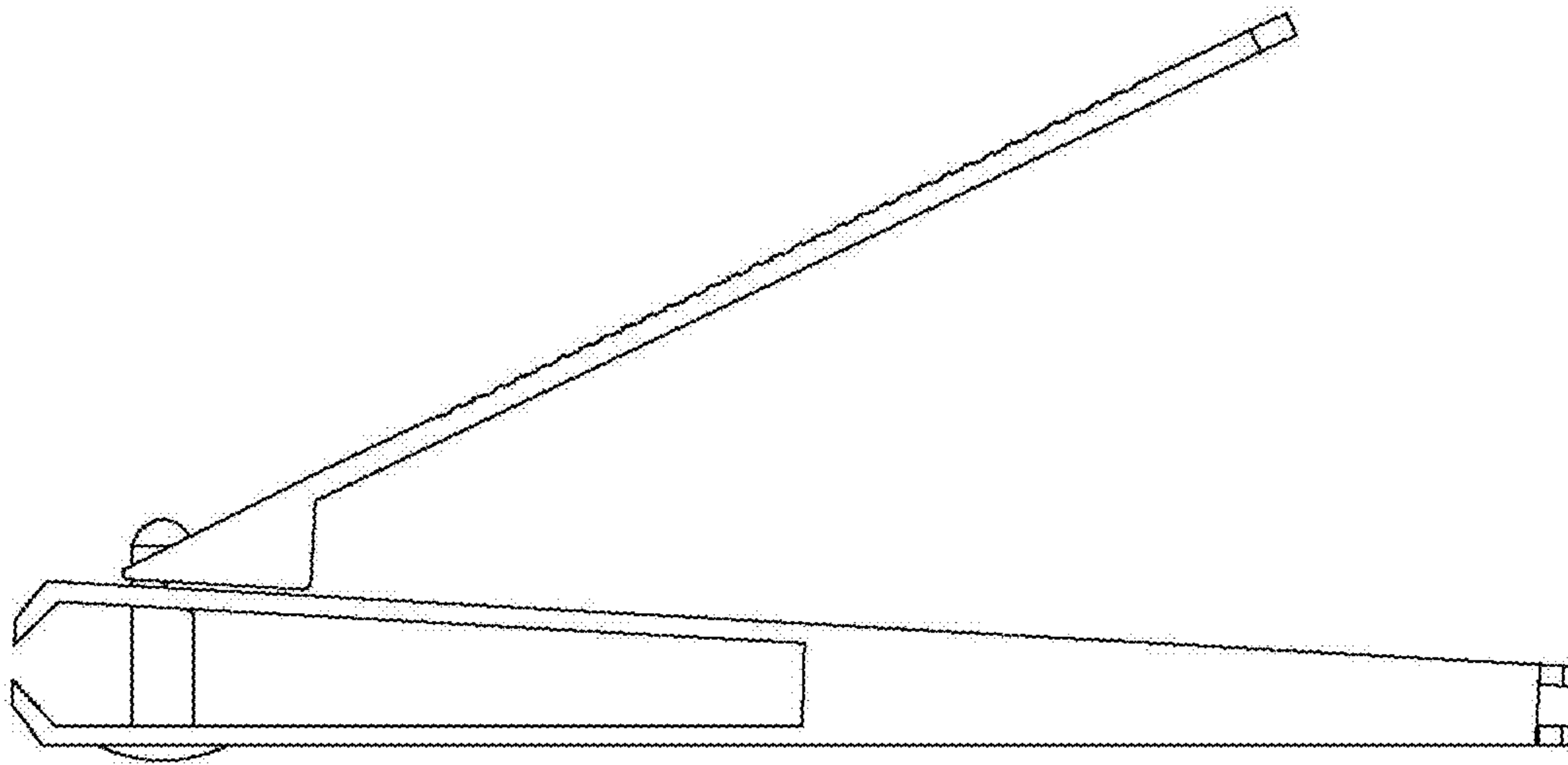


FIG. 5

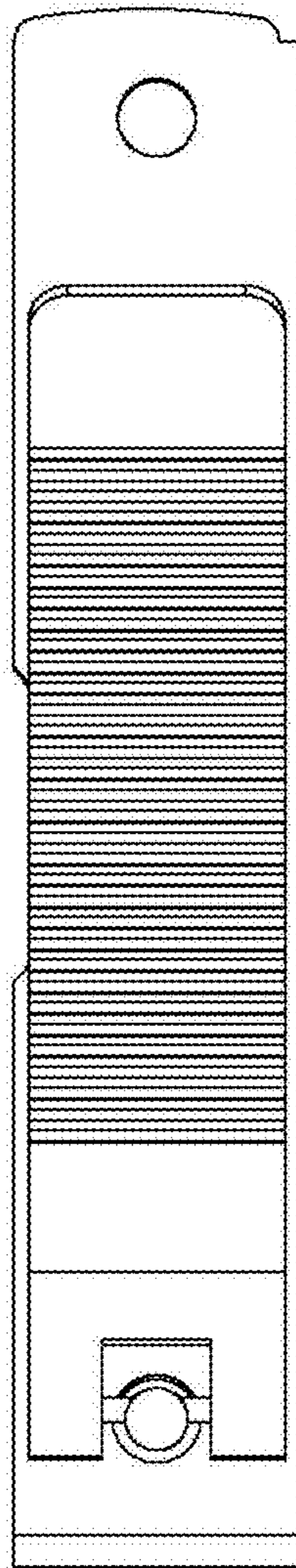


FIG. 6

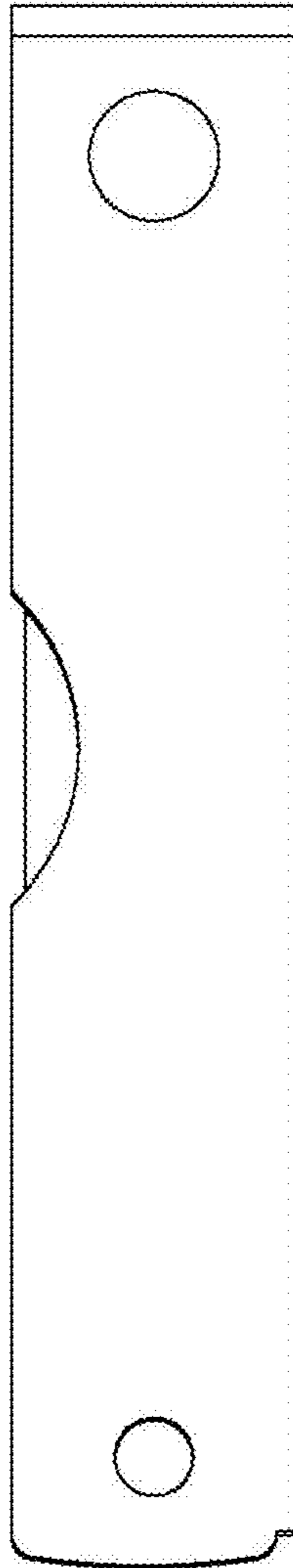


FIG. 7