



US00D846802S

(12) **United States Design Patent**
Nicoline et al.

(10) **Patent No.:** **US D846,802 S**
(45) **Date of Patent:** **** Apr. 23, 2019**

(54) **CLEANSING PALETTE**

- (71) Applicant: **Paris Presents Incorporated**, Gurnee (IL)
- (72) Inventors: **Alyssa C. Nicoline**, McHenry, IL (US); **Alessandra Corona**, Chicago, IL (US)
- (73) Assignee: **Paris Presents Incorporated**, Gurnee, IL (US)

(**) Term: **15 Years**

(21) Appl. No.: **29/612,452**

(22) Filed: **Aug. 1, 2017**

(51) **LOC (11) Cl.** **28-03**

(52) **U.S. Cl.**
USPC **D28/9**

(58) **Field of Classification Search**
 USPC D28/9-10, 44, 57, 60, 73, 81, 85;
 206/77.1, 557; D3/315, 901; D6/525,
 D6/532, 536; D23/304; D7/554.2, 500;
 D19/92, 103
 CPC ... A47K 5/02; A47K 5/03; A47K 5/04; A47K
 5/05; A47K 5/08; A47K 5/09; A47L
 17/00; A47L 17/02; A47L 17/04; A47L
 17/06; A46B 17/00; A46B 17/02; A46B
 17/04; A46B 17/06; B08B 1/001; B08B
 1/002

See application file for complete search history.

(56) **References Cited**

U.S. PATENT DOCUMENTS

D179,756 S * 2/1957 Bond D28/44
 2,851,713 A * 9/1958 Tupper A47K 5/03
 15/105

(Continued)

FOREIGN PATENT DOCUMENTS

CN 205993895 U 3/2017
 CN 205993896 U 3/2017

(Continued)

OTHER PUBLICATIONS

Parted Foot Support, R82, www.r82.com, author not listed, published May 25, 2015 wayback machine © not listed, online, site visited Nov. 20, 2017. Available from Internet, URL: <https://web.archive.org/web/20150525033338/http://www.r82.com/products/seating/strong-base/c-23/c-69/p-176/?sku=48543> (Year: 2015).*

(Continued)

Primary Examiner — Shannon W Morgan

Assistant Examiner — Altaira J Swangin

(74) *Attorney, Agent, or Firm* — Quarles & Brady LLP

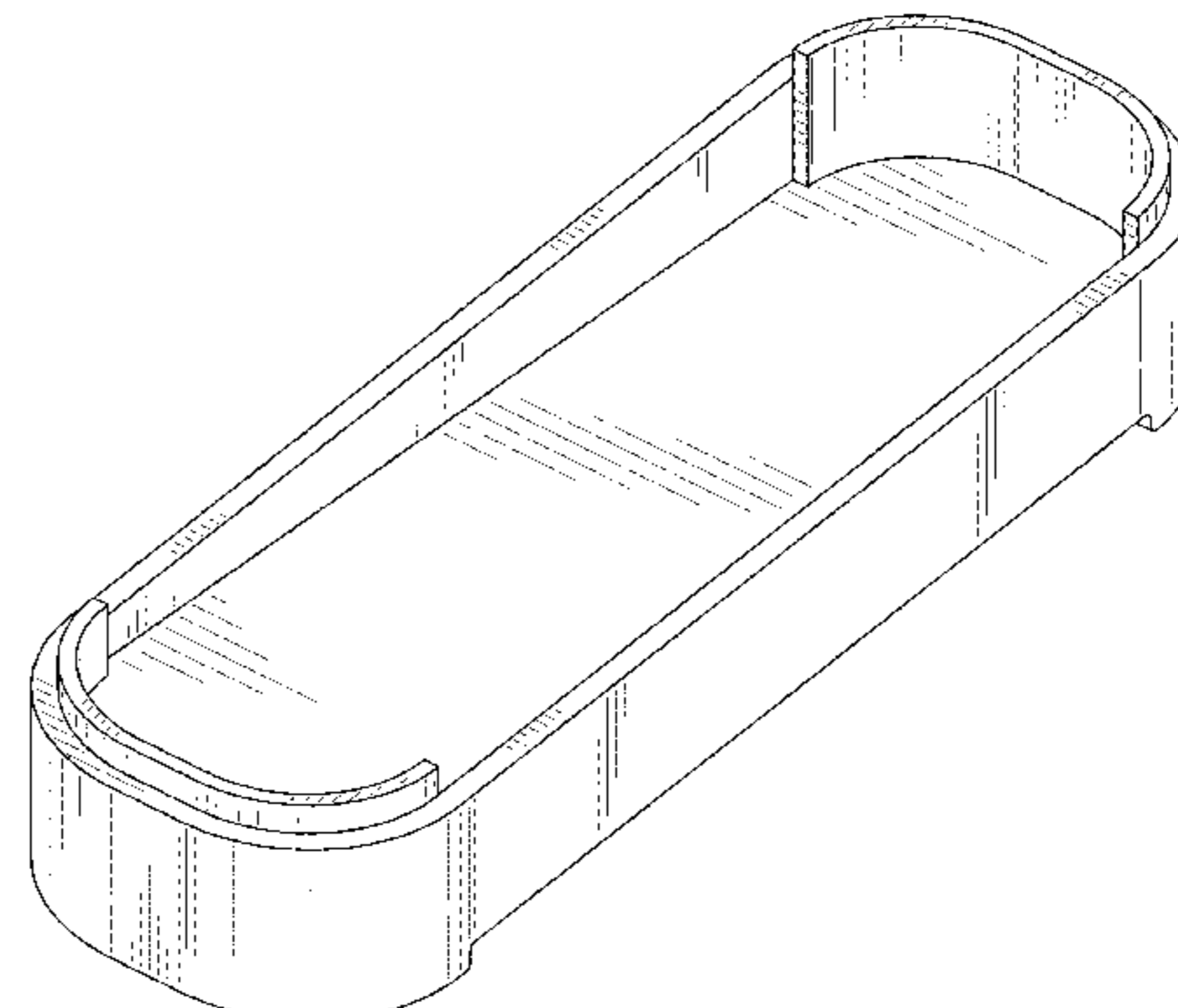
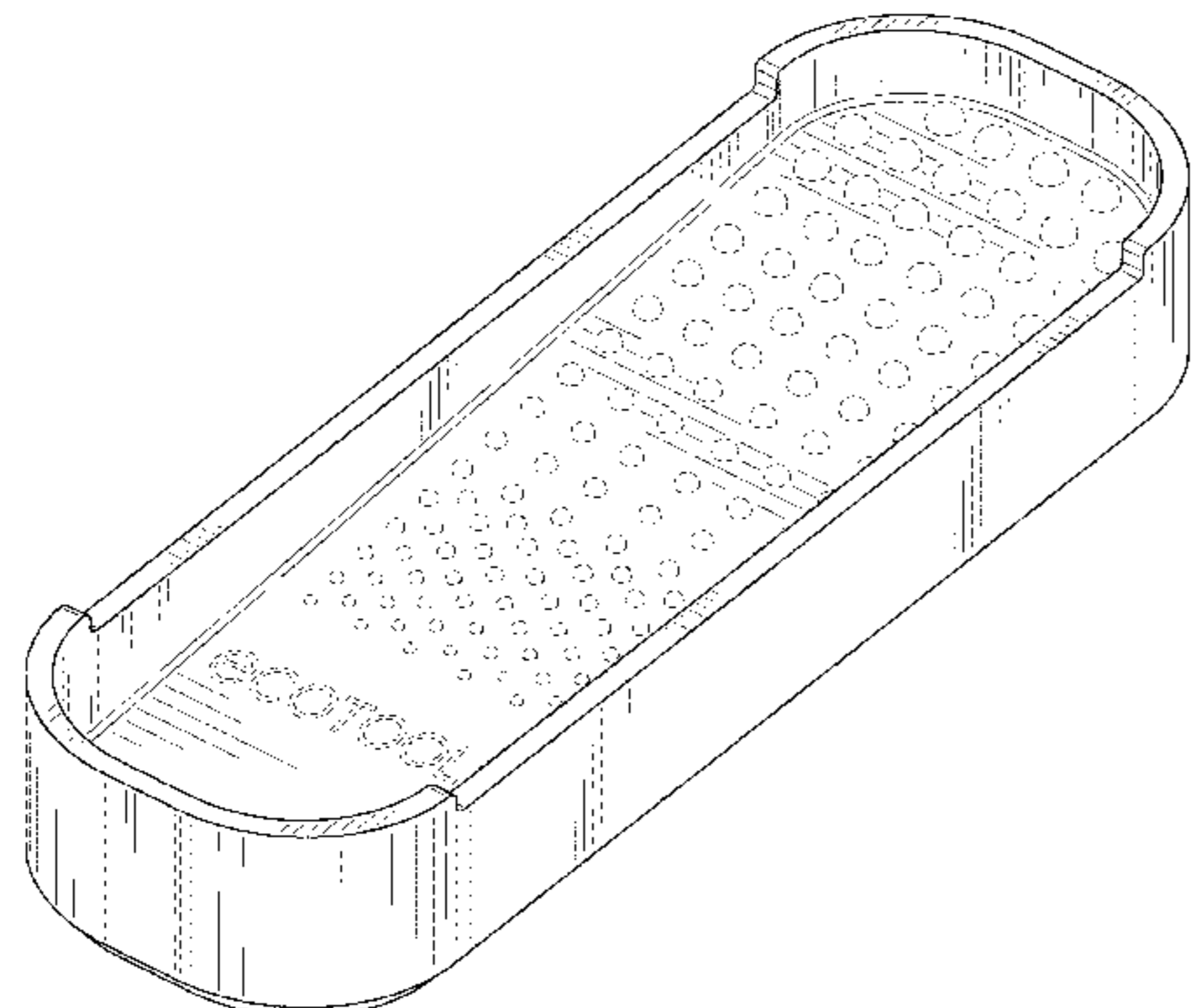
(57) **CLAIM**

The ornamental design for a cleansing palette, as shown and described.

DESCRIPTION

FIG. 1 is a perspective view of a front, top, and right side of an ornamental design for a cleansing palette;
 FIG. 2 is a left side elevational view of the cleansing palette of FIG. 1;
 FIG. 3 is a right side elevational view of the cleansing palette of FIG. 1;
 FIG. 4 is a front elevational view of the cleansing palette of FIG. 1;
 FIG. 5 is a rear elevational view of the cleansing palette of FIG. 1;
 FIG. 6 is a top plan view of the of the cleansing palette of FIG. 1;
 FIG. 7 is a bottom plan view of the cleansing palette of FIG. 1; and,
 FIG. 8 is a perspective view of a front, bottom, and left side of the cleansing palette of FIG. 1.
 The dash-dash-dash lines are included for the purpose of illustrating portions of the cleansing palette that form no part of the claimed design.

1 Claim, 5 Drawing Sheets



(56)

References Cited

U.S. PATENT DOCUMENTS

3,042,247 A * 7/1962 Bonnet B65D 11/00
220/366.1
D204,784 S * 5/1966 O'Neil D28/73
D226,362 S * 2/1973 Seidler D28/9
D248,357 S * 7/1978 Daenen D7/505
D257,107 S * 9/1980 Daenen D7/586
D259,534 S * 6/1981 Daenen D7/678
D259,535 S * 6/1981 Daenen D7/667
D260,568 S * 9/1981 Cherry D3/314
D262,065 S * 11/1981 Holman D28/61
4,494,267 A 1/1985 Fredley
D279,067 S * 6/1985 Kuster D7/554.2
D286,355 S * 10/1986 Bussell D6/536
D287,321 S * 12/1986 Bussell D6/536
D293,183 S * 12/1987 Aaron D6/525
D320,519 S * 10/1991 Magnin D6/536
D341,972 S * 12/1993 Tiramani D3/302
D342,806 S * 12/1993 Jones D24/227
D355,805 S * 2/1995 Warren D6/536
D358,458 S * 5/1995 Brightbill D23/304
D379,890 S * 6/1997 Hampshire D6/525
D379,891 S * 6/1997 Hampshire D6/525
D397,833 S * 9/1998 Adams Zurawin D32/53.1
D414,036 S * 9/1999 Conway D3/263
5,947,272 A * 9/1999 Park A47K 5/02
206/77.1
D416,416 S * 11/1999 Kelso D6/525
5,987,686 A * 11/1999 Lane A46B 17/06
15/142
D462,877 S * 9/2002 Lillelund D7/548
D521,380 S * 5/2006 Jackson D9/425
D532,235 S * 11/2006 Snell D6/567
D578,716 S 10/2008 Palin
7,501,093 B2 * 3/2009 Demelo G01N 33/48778
422/526
D597,406 S * 8/2009 Jaworski D9/435
D625,943 S * 10/2010 Yang D6/536
8,671,831 B2 * 3/2014 Yates A47J 36/20
211/181.1
D704,953 S * 5/2014 Reitze D6/536
8,910,781 B2 * 12/2014 Pipes B65B 7/28
206/236
9,015,895 B2 4/2015 Filho et al.
D731,847 S * 6/2015 Arregui Letamendi D7/354
D746,010 S 12/2015 Xavier et al.
D747,102 S * 1/2016 Kraemer D3/307
D757,458 S * 5/2016 Snell D6/536
9,345,316 B2 5/2016 Filho et al.
9,345,379 B2 5/2016 Filho et al.
9,445,631 B1 * 9/2016 Patel A24F 23/00
9,474,361 B2 10/2016 Filho et al.
9,492,050 B2 11/2016 Filho et al.
D779,140 S * 2/2017 Lim D32/35
D782,138 S 3/2017 Xavier et al.

D782,763 S 3/2017 Xavier et al.
D782,764 S 3/2017 Xavier et al.
D801,120 S * 10/2017 Zeien D7/554.2
D814,804 S 4/2018 Roth et al.
D814,805 S 4/2018 Hwang
D824,692 S * 8/2018 Kwiatkowski D6/536
D832,115 S * 10/2018 Fitchett D9/711
2010/0037906 A1 * 2/2010 Ionis A61B 17/54
132/76.5
2011/0186579 A1 * 8/2011 Bailey B65D 25/54
220/495.01
2012/0285125 A1 * 11/2012 Bailey B65D 43/164
53/492
2013/0284201 A1 * 10/2013 Chou A46B 17/06
132/313
2015/0027495 A1 1/2015 Xavier et al.
2015/0027496 A1 1/2015 Xavier et al.
2015/0052698 A1 2/2015 Fakier
2015/0257611 A1 * 9/2015 Huang B65D 25/108
206/77.1
2015/0296973 A1 * 10/2015 Leiker A46B 17/06
15/104.92
2016/0113386 A1 4/2016 Lim et al.
2017/0007014 A1 1/2017 Albers
2017/0303677 A1 * 10/2017 Xavier B08B 1/001

FOREIGN PATENT DOCUMENTS

KR 200481181 Y1 8/2016
KR 200483042 Y1 4/2017
WO WO2016080567 A1 5/2016

OTHER PUBLICATIONS

Hat-trick set of 5 oval nested condiment set, chiandchi, saniyohk.com, author not listed, published Jan. 1, 2015 wayback machine © 2014 Saniyo, online, site visited Nov. 20, 2017. Available from Internet, URL: https://web.archive.org/web/20150101035407/http://www.saniyohk.com:80/pro_ht_a1.html (Year: 2015).
G., "Review: Real Techniques Brush Cleansing Palette & Brush Cleansing Gel," Nouveau Cheap, URL: <https://nouveaucheap.blogspot.com/2016/04/review-real-techniques-brush-cleansing.html>, Apr. 1, 2016, 20 pages.
Jessica Willingham, "Where to Buy the Practk Palmat Brush Cleaner From Sigma's Sister Brand—Photos," Bustle, URL: <https://www.bustle.com/articles/178985-where-to-buy-the-practk-palmat-brush-cleaner-from-sigmas-sister-brand-photos>, Aug. 16, 2016, 11 pages.
RK by Kiss—Silicone Brush Cleansing Egg, Sep. 26, 2017, 1 page.
RK by Kiss—Silicone Brush Cleansing Palette, Sep. 26, 2017, 1 page.
Salon Perfect—Palette Cleanser Brush Cleansing Mitt, Sep. 26, 2017, 1 pages.

* cited by examiner

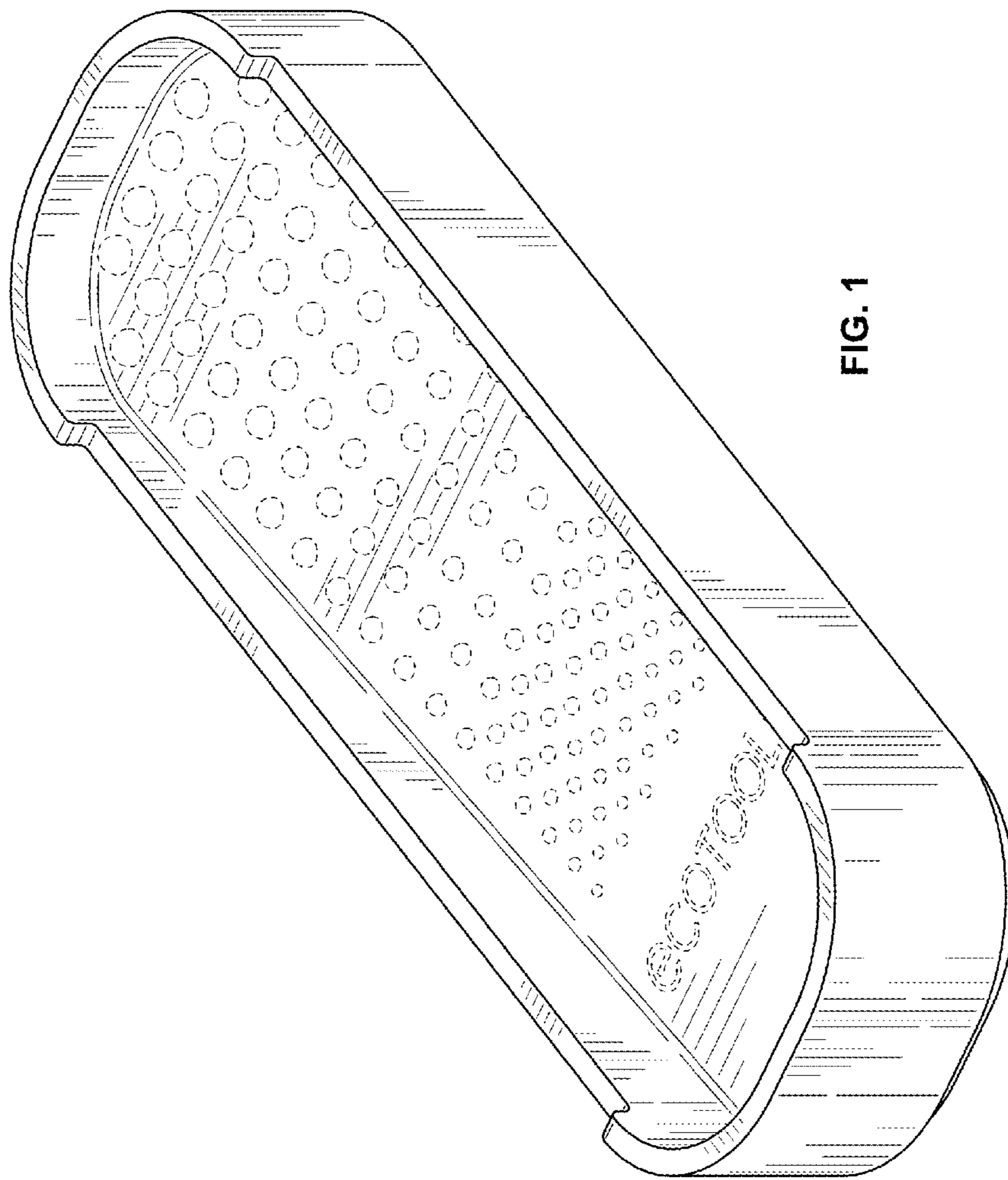


FIG. 1

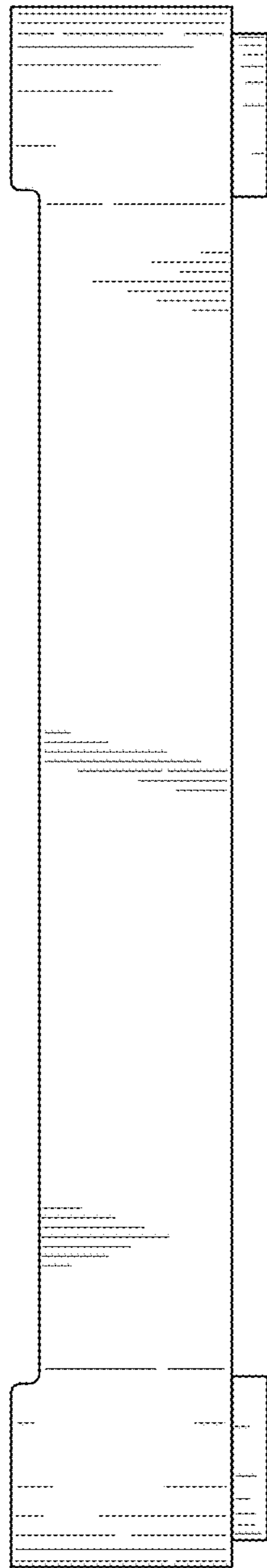


FIG. 2

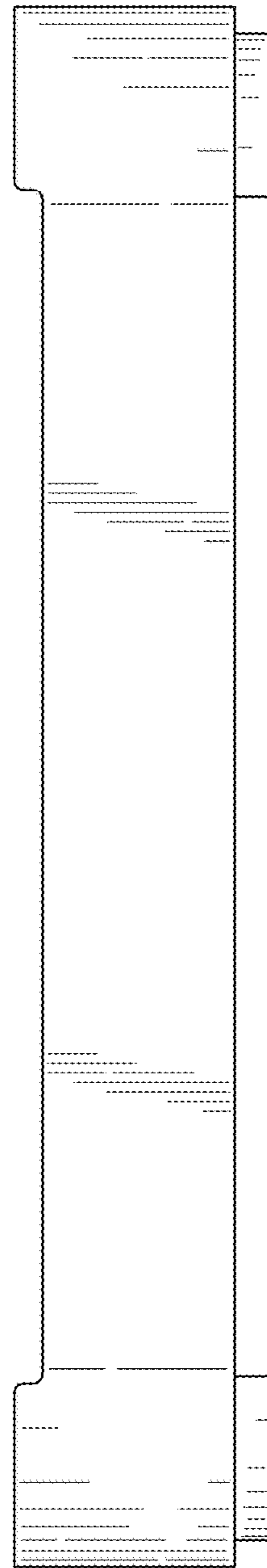


FIG. 3

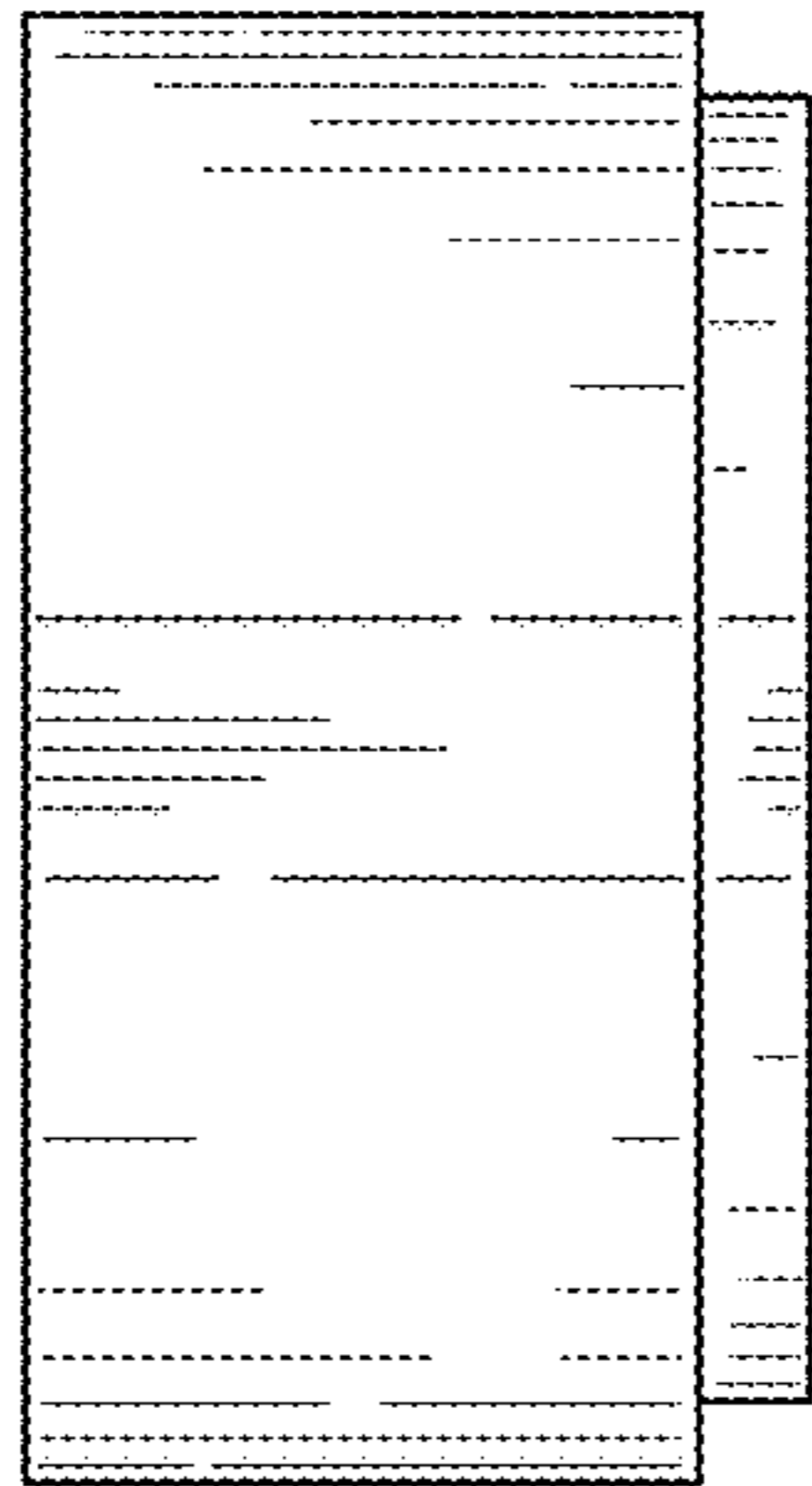


FIG. 4

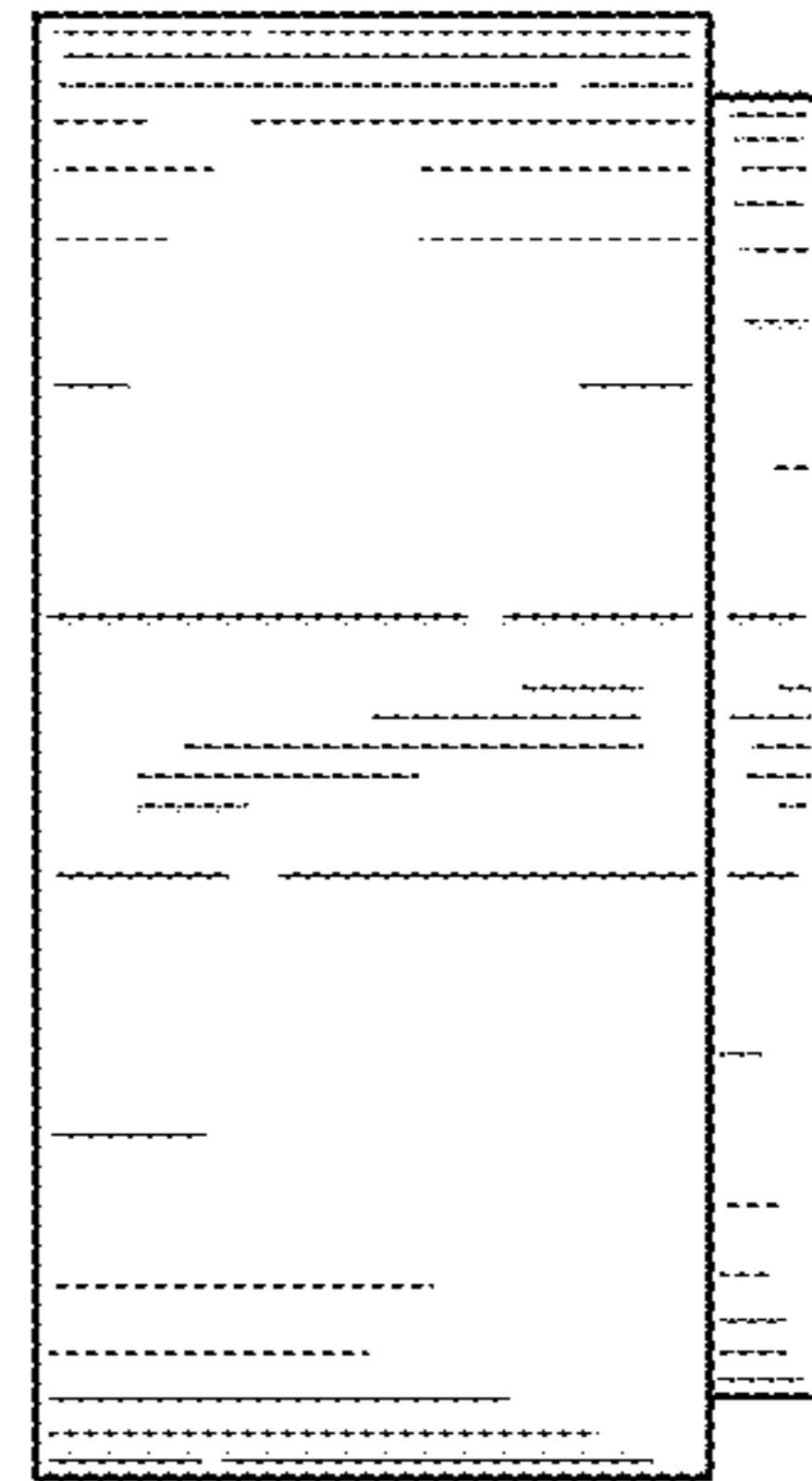


FIG. 5

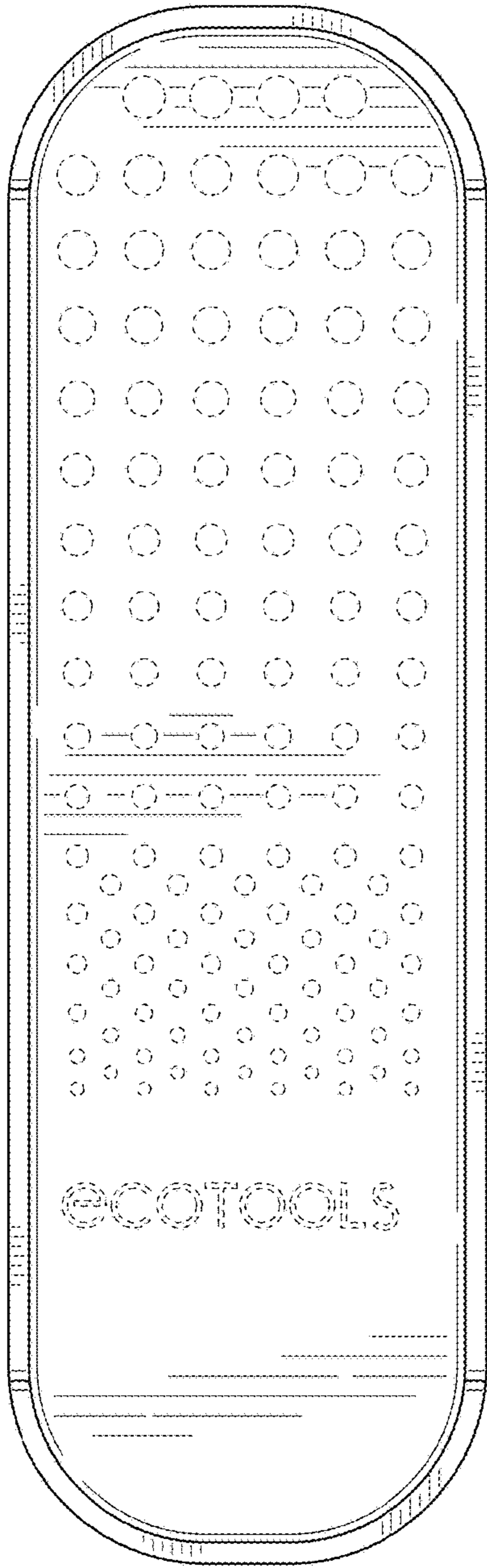


FIG. 6

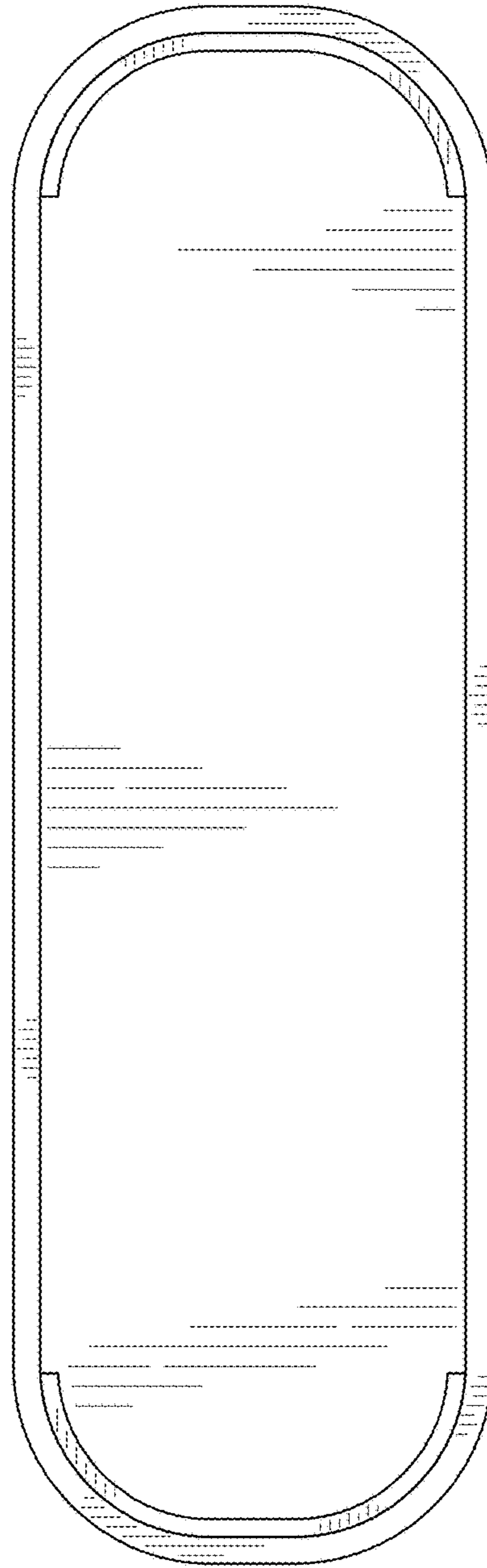


FIG. 7

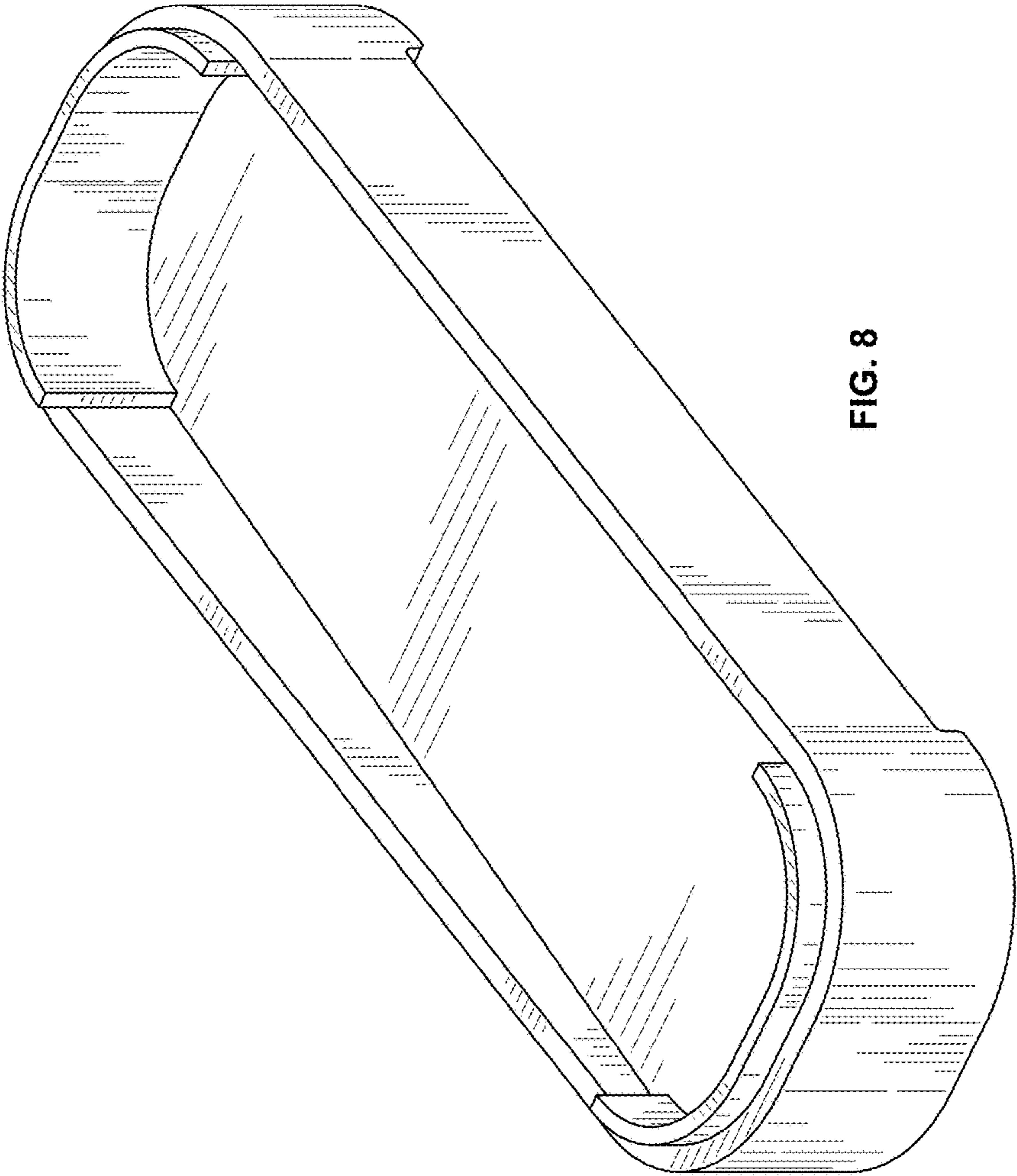


FIG. 8