



US00D846801S

(12) **United States Design Patent** (10) **Patent No.:** **US D846,801 S**
Griffiths et al. (45) **Date of Patent:** **** Apr. 23, 2019**

(54) **MAKEUP REPAIR TOOL**
(71) Applicants: **Tess Griffiths**, Los Angeles, CA (US);
Barbara Villegas, Los Angeles, CA (US)
(72) Inventors: **Tess Griffiths**, Los Angeles, CA (US);
Barbara Villegas, Los Angeles, CA (US)

D395,987 S * 7/1998 Loughead D7/387
D399,103 S * 10/1998 Lill Lund D7/682
D404,947 S * 2/1999 Porcelli D6/522
D432,828 S * 10/2000 Snell D6/522
D446,979 S * 8/2001 Schultz D6/522
D455,948 S * 4/2002 Zetsche D6/523
D457,271 S * 5/2002 Jackson D28/73
D504,307 S * 4/2005 Dayan D3/24
D540,585 S * 4/2007 Igarashi D6/518
D567,023 S * 4/2008 Baldieri D7/414

(Continued)

(**) Term: **15 Years**

FOREIGN PATENT DOCUMENTS

(21) Appl. No.: **29/606,002**

KR 300839937.0000 * 2/2016

(22) Filed: **May 31, 2017**

OTHER PUBLICATIONS

(51) **LOC (11) Cl.** **28-03**

(52) **U.S. Cl.**
USPC **D28/9**

Coffee tamper product available from: <http://www.simplygreatcoffee.co.uk/shop/black-plastic-double-sided-tamper-48mm-57mm> (last visited on May 30, 2017).

(Continued)

(58) **Field of Classification Search**
USPC D28/38, 73; 220/737; D6/552, 403,
D6/681-681.1, 522-524;
248/117.1-117.5, 133, 176.1-176.2;
D9/751-753; 452/12; D7/608, 372-373,
D7/399, 682, 414, 674, 679; D20/21
CPC A45D 20/14; A45D 44/14; A45D 20/12;
A45D 20/124; A45D 2020/126; A45D
2020/128; A45D 27/29; A45D 20/122;
A45D 33/006; A45D 2200/25; A47G
23/02; A47B 73/00; A61K 8/022; A61K
2800/10; A61K 2800/80

Primary Examiner — Shannon W Morgan
Assistant Examiner — Altaira J Swangin
(74) *Attorney, Agent, or Firm* — Eric Kelly

See application file for complete search history.

(57) **CLAIM**

The ornamental design for a makeup repair tool, as shown and described.

DESCRIPTION

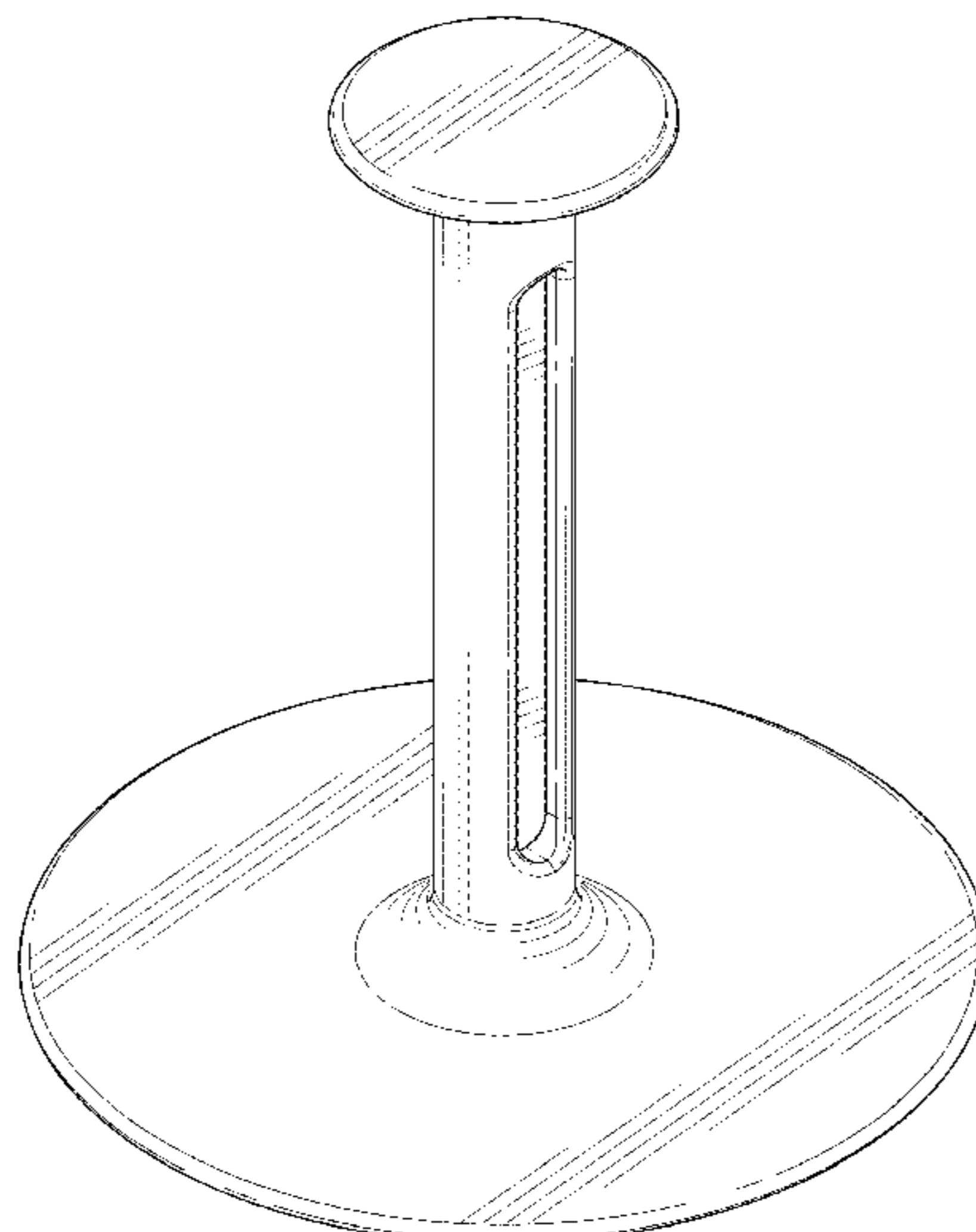
(56) **References Cited**

U.S. PATENT DOCUMENTS

1,731,219 A * 10/1929 Atwood B65H 75/14
242/118.7
2,074,795 A * 3/1937 Mantelet A47J 42/34
222/408.5
D283,856 S * 5/1986 Elmaleh D6/349
D298,597 S * 11/1988 Bell D6/521
D319,556 S * 9/1991 Purkapile D7/380
D340,822 S * 11/1993 Morand D6/522

FIG. 1 is a top perspective view of a makeup repair tool showing the new design;
FIG. 2 illustrates a front view; the back view is an identical view of the front;
FIG. 3 illustrates a left side view; right side view is an identical view of the left side;
FIG. 4 illustrates a top view thereof;
FIG. 5 illustrates a bottom view thereof; and,
FIG. 6 illustrates a bottom perspective view.

1 Claim, 6 Drawing Sheets



(56)

References Cited

U.S. PATENT DOCUMENTS

D610,869 S * 3/2010 Pourounidis D7/399
D625,528 S * 10/2010 Sprague D6/681
D754,401 S * 4/2016 Seiler D28/73
D765,262 S * 8/2016 Greenhouse A63B 21/4049
D24/211
D776,453 S * 1/2017 Cross D6/521
D821,598 S * 6/2018 Greenhouse D24/212
D821,599 S * 6/2018 Greenhouse D24/212
10,004,938 B2 * 6/2018 Greenhouse A63B 21/4049
D823,624 S * 7/2018 Elmaleh D6/716
2017/0223972 A1 * 8/2017 Hotz A47J 9/007

OTHER PUBLICATIONS

Coffee tamper product available from: <http://www.1st-line.com/store/pc/Ascaso-Tamper-Nylon-Plastic-p4333.htm> (last visited on May 30, 2017).

Coffee tamper product available from: http://www.bedbathandbeyond.com/store/product/rsvp-espresso-tamper/1045959158skuld=45959158&mcid=PS_googlepla_nonbrand_kitchenelectrics_&adpos=1o1&creative=43742642989&device=c&matchtype=&network=s&product_id=45959158&gclid=CPG08tfvmNQCFQyAfgodZtkAmg (last visited on May 30, 2017).

* cited by examiner

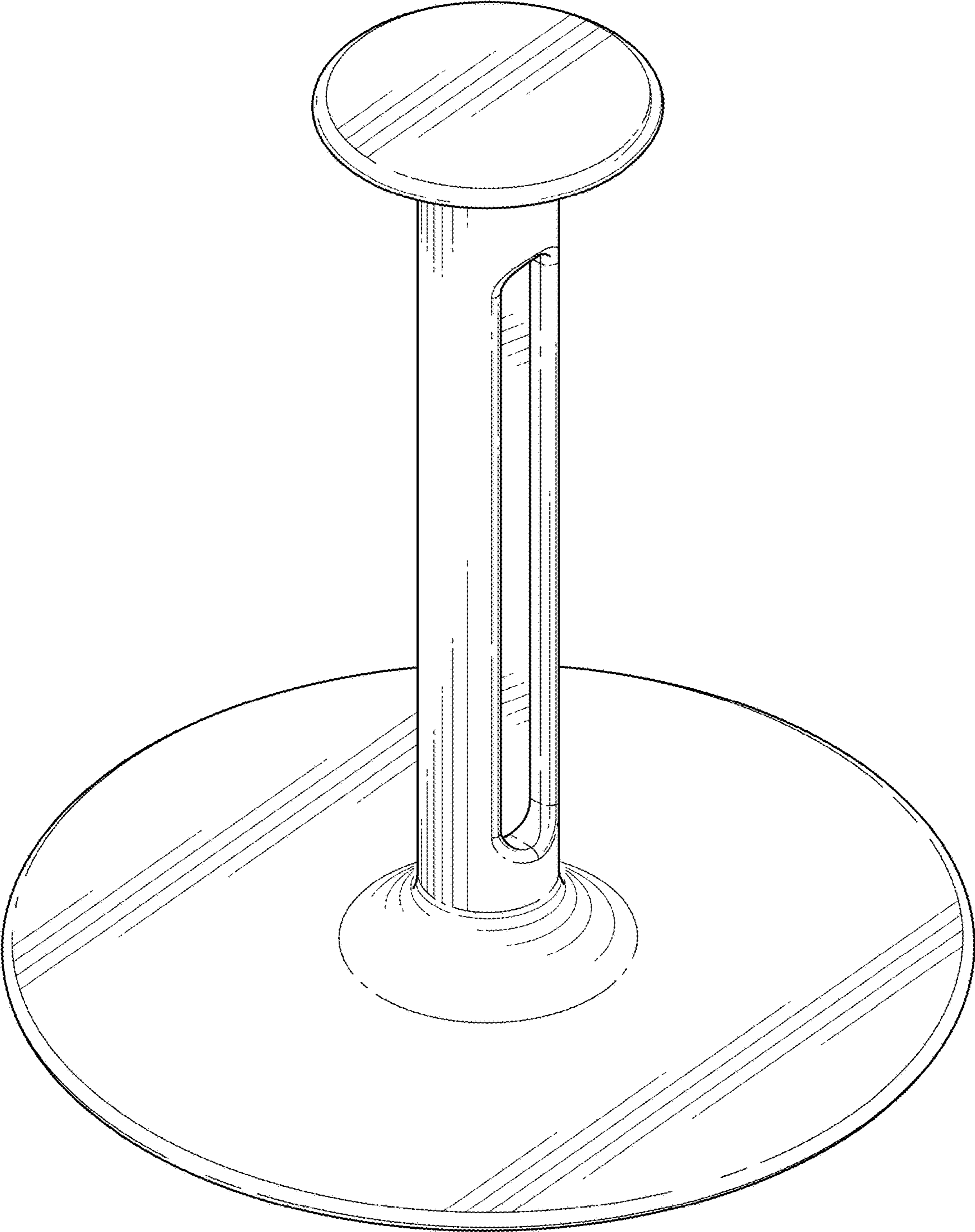


FIG. 1

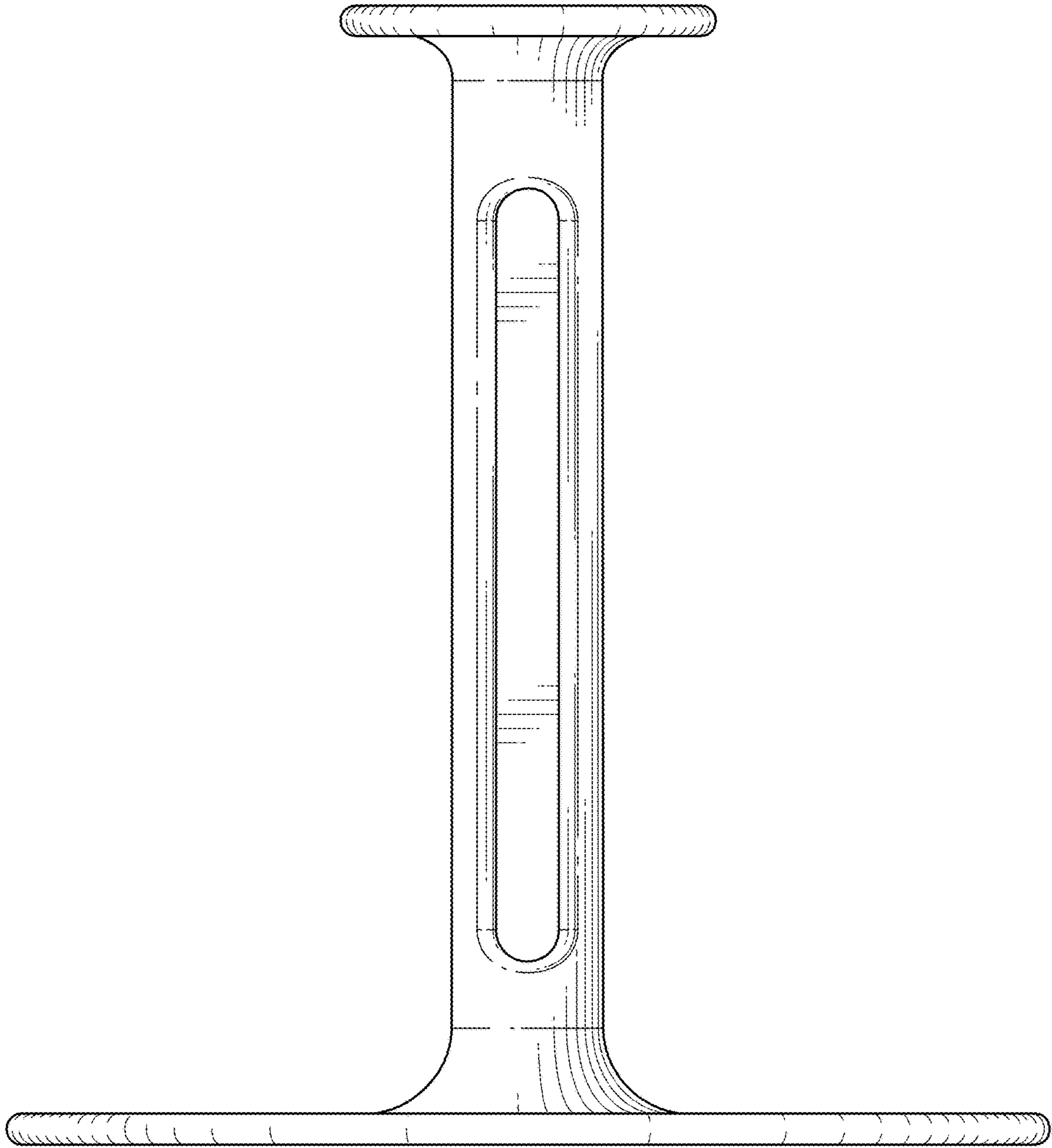


FIG. 2

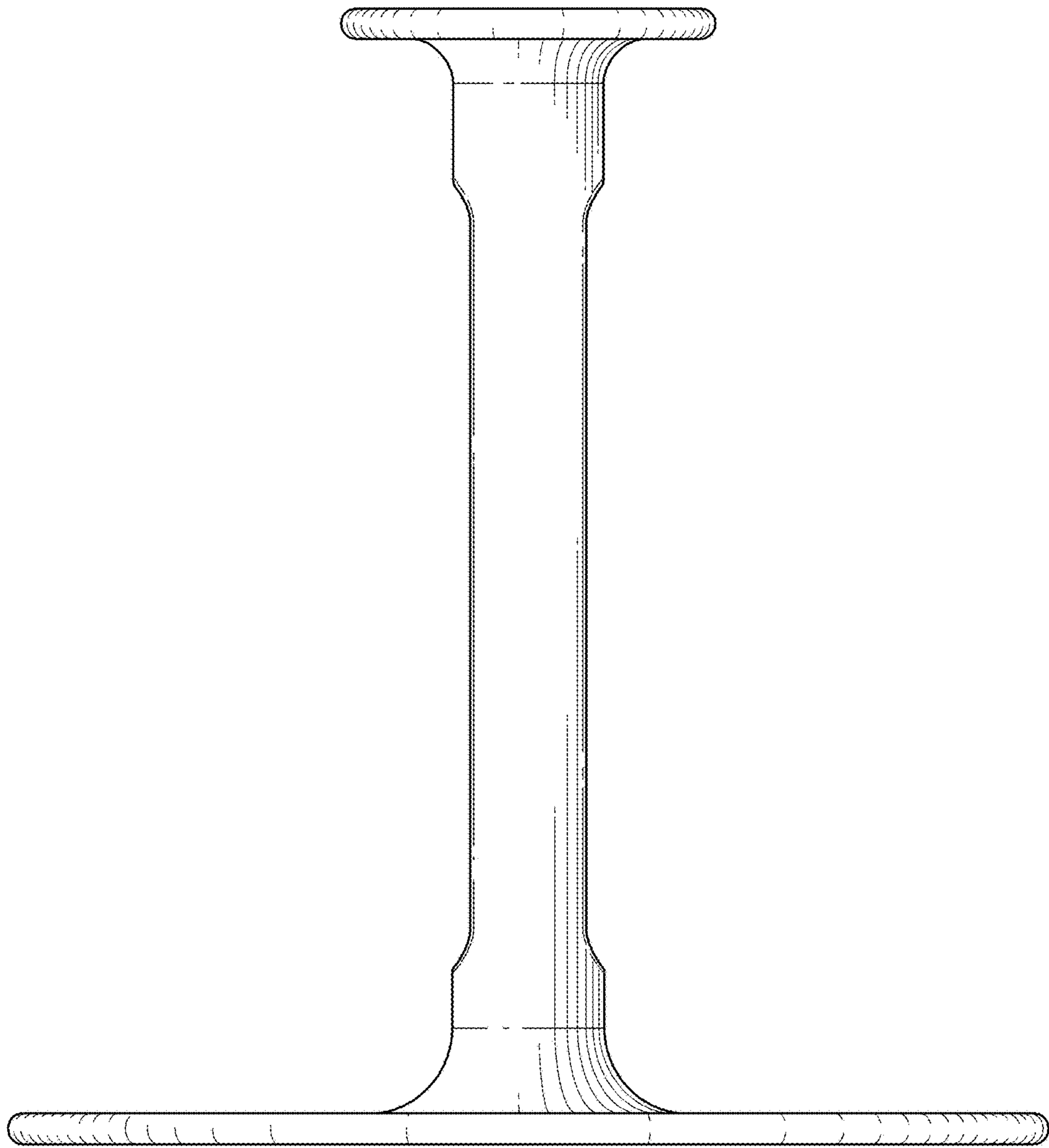


FIG. 3

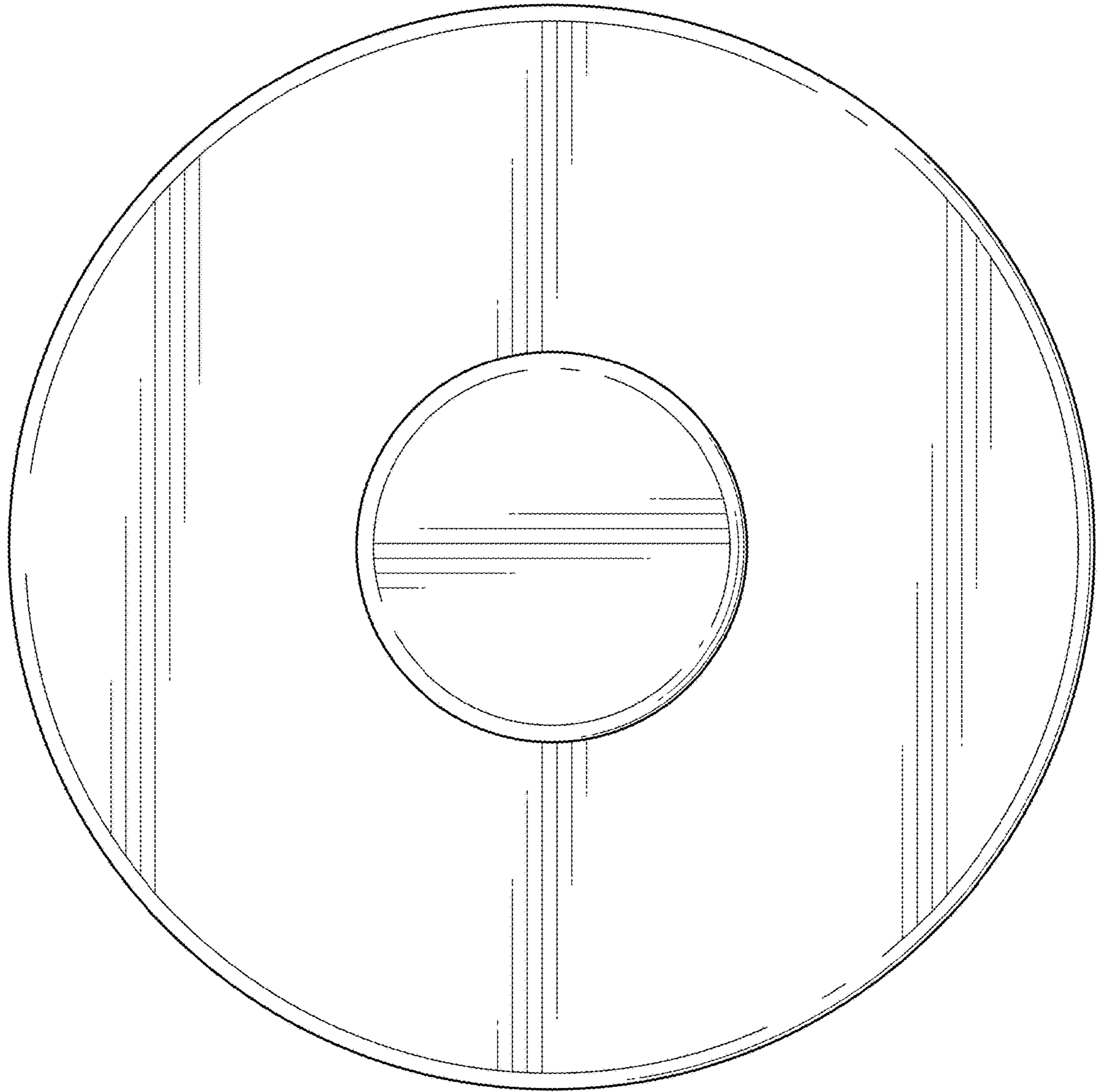


FIG. 4

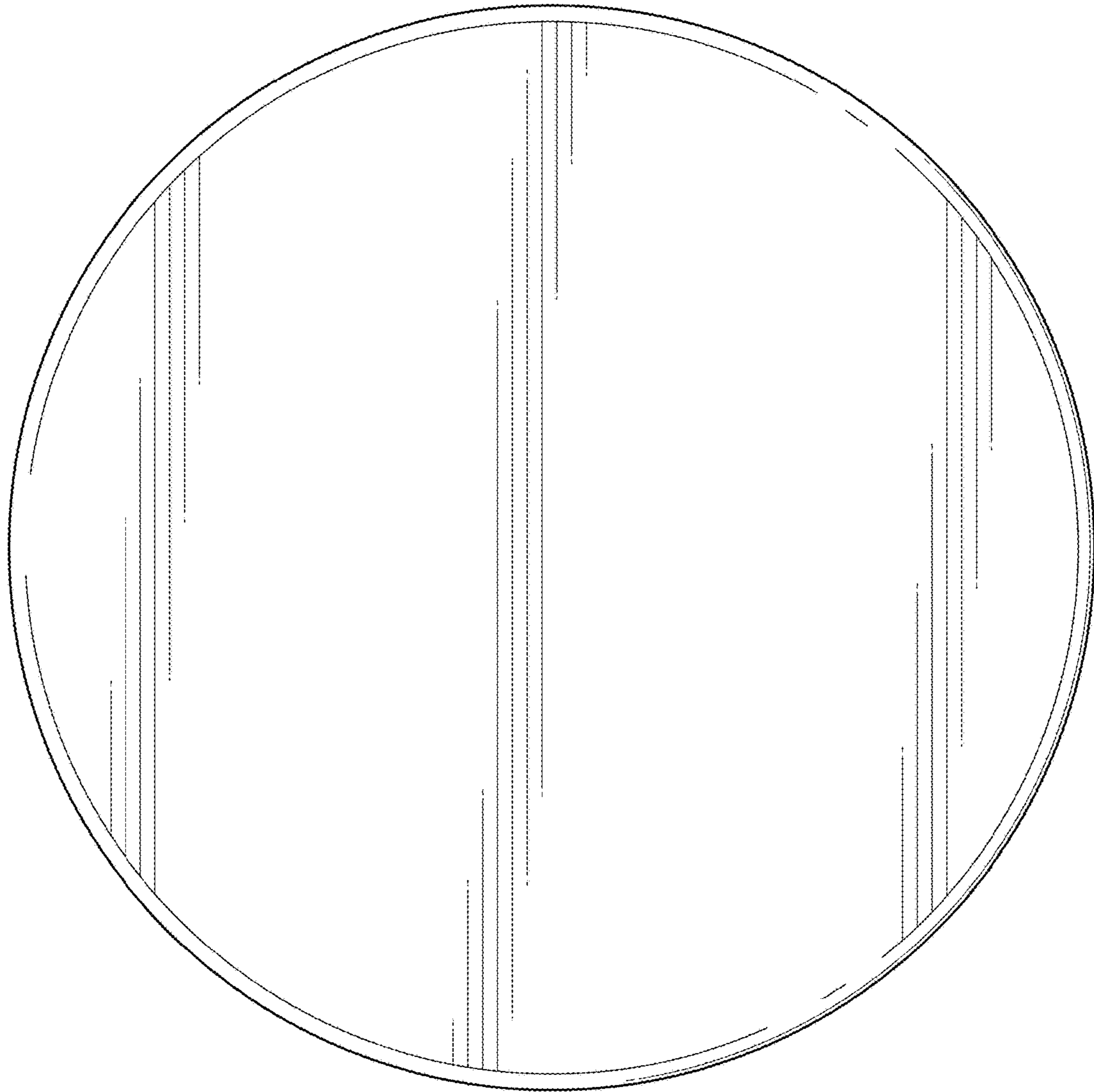


FIG. 5

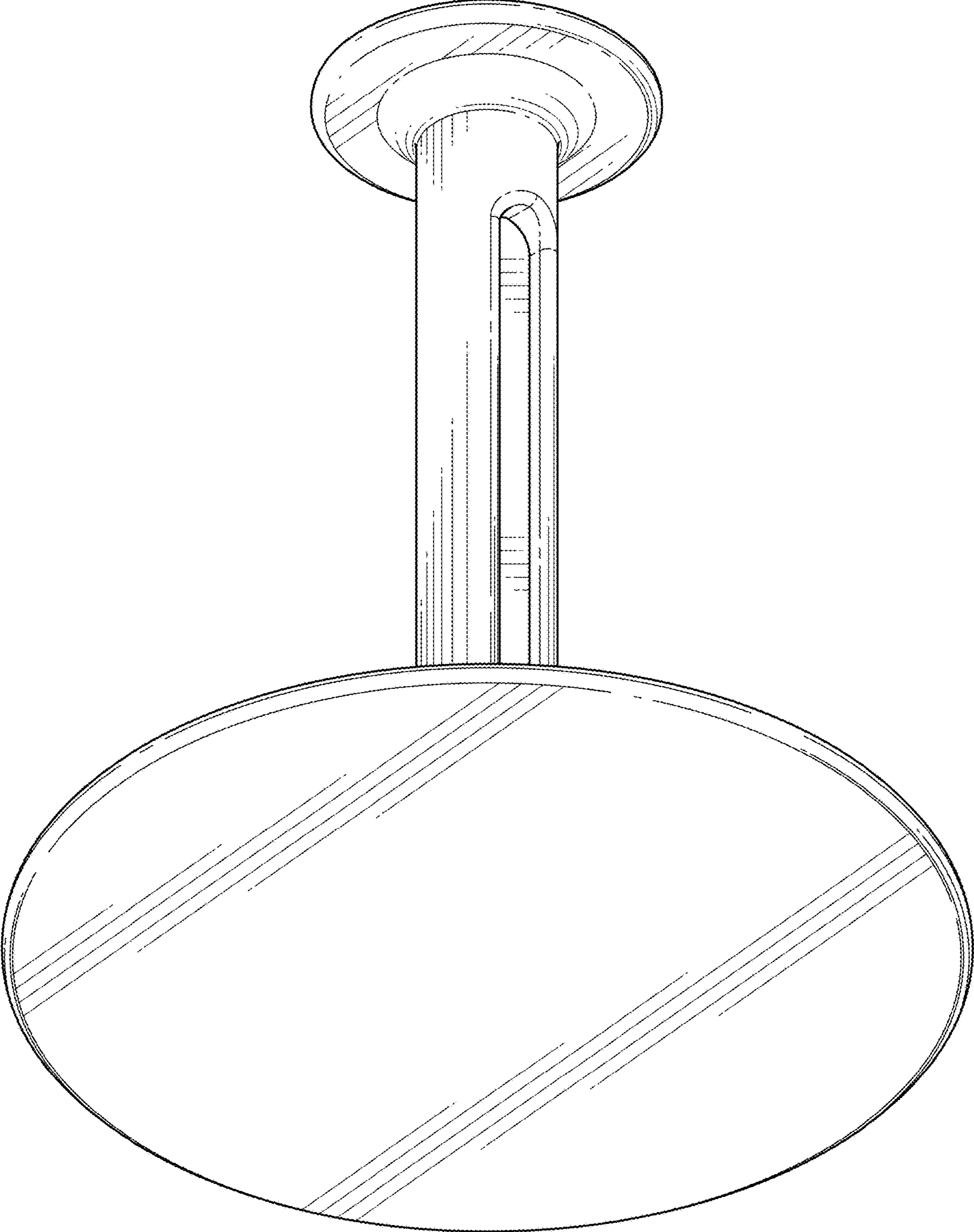


FIG. 6