



US00D846800S

(12) **United States Design Patent**
Bahadoorsingh

(10) **Patent No.:** **US D846,800 S**

(45) **Date of Patent:** **** Apr. 23, 2019**

(54) **MULTI-CHAMBER LAUNDRY DETERGENT
PACK**

(71) Applicant: **SUNMAR & ASSOCIATES INC.**,
Mississauga (CA)

(72) Inventor: **Sunil Kumar Bahadoorsingh, St.**
Catharines (CA)

(73) Assignee: **NWG-H INC.**, Ontario (CA)

(**) Term: **15 Years**

(21) Appl. No.: **29/633,144**

(22) Filed: **Jan. 12, 2018**

(51) **LOC (11) Cl.** **28-02**

(52) **U.S. Cl.**
USPC **D28/8.1**

(58) **Field of Classification Search**
USPC D28/8.1-8.2; D9/415
CPC C11D 17/0047-17/006; C11D
17/0065-17/0091; C11D 17/0095; C11D
17/00-17/0039
See application file for complete search history.

(56) **References Cited**

U.S. PATENT DOCUMENTS

D490,567 S *	5/2004	McLeish	D28/8.1
D679,863 S *	4/2013	Sunder	D28/8.1
D689,240 S *	9/2013	Sunder	D28/8.1
D689,241 S *	9/2013	Gerhards	D28/8.1
D691,326 S *	10/2013	Gerhards	D28/8.1
D728,157 S *	4/2015	Sarb	D28/8.1
D759,891 S *	6/2016	Sarb	D28/8.1
D774,249 S *	12/2016	McLenithan	D28/8.1
D774,251 S *	12/2016	McLenithan	D28/8.1

D777,373 S *	1/2017	Sunder	D28/8.1
D783,203 S *	4/2017	Johnson	D28/8.1
D809,200 S *	1/2018	Reda	D28/8.1
D809,201 S *	1/2018	Reda	D28/8.1
D809,708 S *	2/2018	Reda	D28/8.1
D809,709 S *	2/2018	Reda	D28/8.1
D809,710 S *	2/2018	Reda	D28/8.1
D812,297 S *	3/2018	Johnson	D28/8.1
D821,029 S *	6/2018	Crivolio	D28/8.1
D821,646 S *	6/2018	Johnson	D28/8.1
D825,847 S *	8/2018	Wissmann	D28/8.1
D829,984 S *	10/2018	Gerhards	D28/8.1
D829,985 S *	10/2018	Eggemeyer	D28/8.1
D832,508 S *	10/2018	Johnson	D28/8.1
2006/0122088 A1 *	6/2006	Sadlowski	C11D 3/2075 510/295
2017/0057716 A1 *	3/2017	Fowler	B65D 65/46

* cited by examiner

Primary Examiner — Jennifer Rivard

(74) *Attorney, Agent, or Firm* — Robert G. Crouch;
Marsh Fischmann & Breyfogle LLP

(57) **CLAIM**

The ornamental design for the multi-chamber laundry detergent pack, as shown and described.

DESCRIPTION

FIG. 1 is a perspective view of a multi-chamber laundry detergent pack;

FIG. 2 is a front view thereof;

FIG. 3 is a back view thereof;

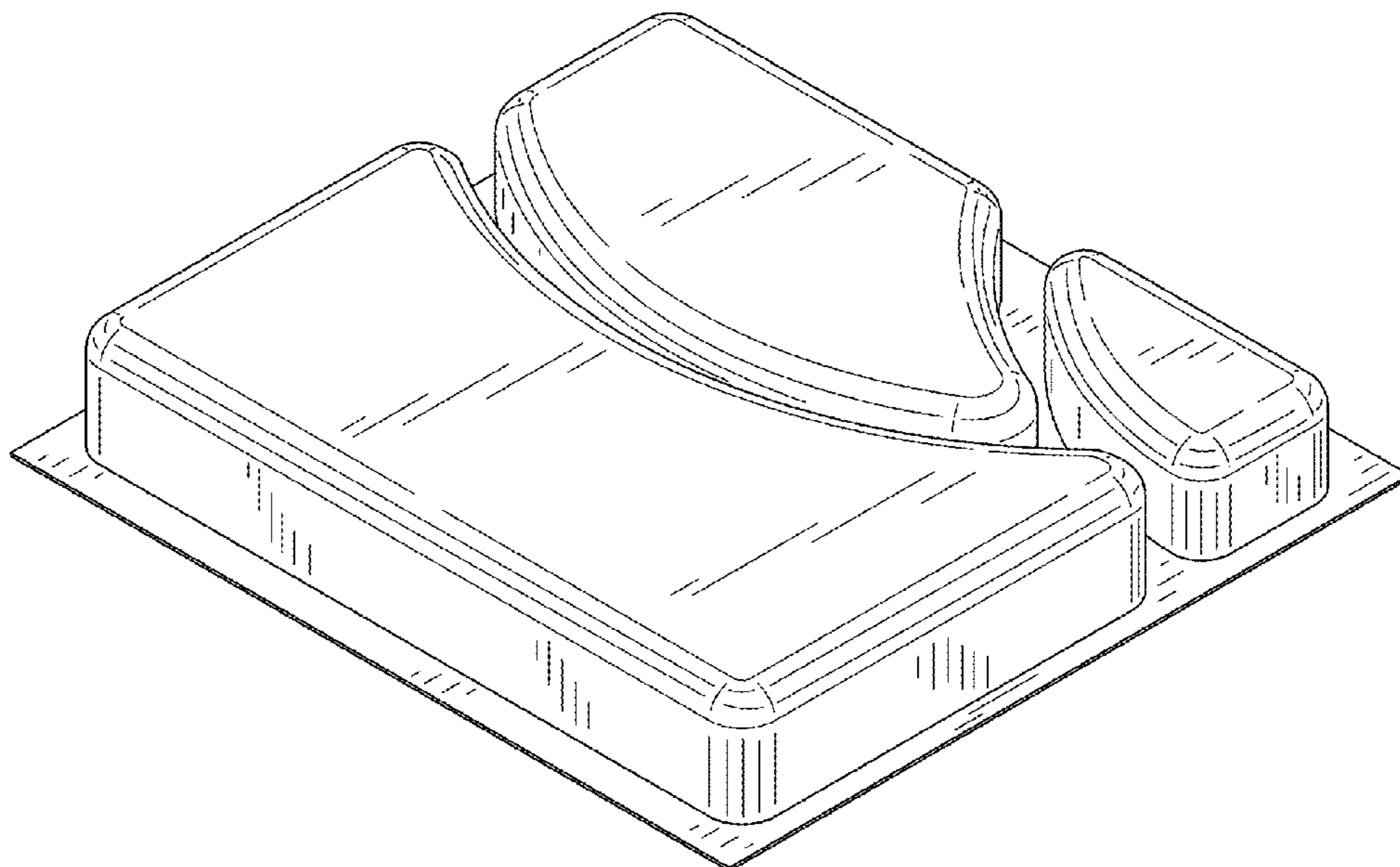
FIG. 4 is a right side view thereof;

FIG. 5 is a left side view thereof;

FIG. 6 is a top view thereof; and,

FIG. 7 is a bottom view thereof.

1 Claim, 5 Drawing Sheets



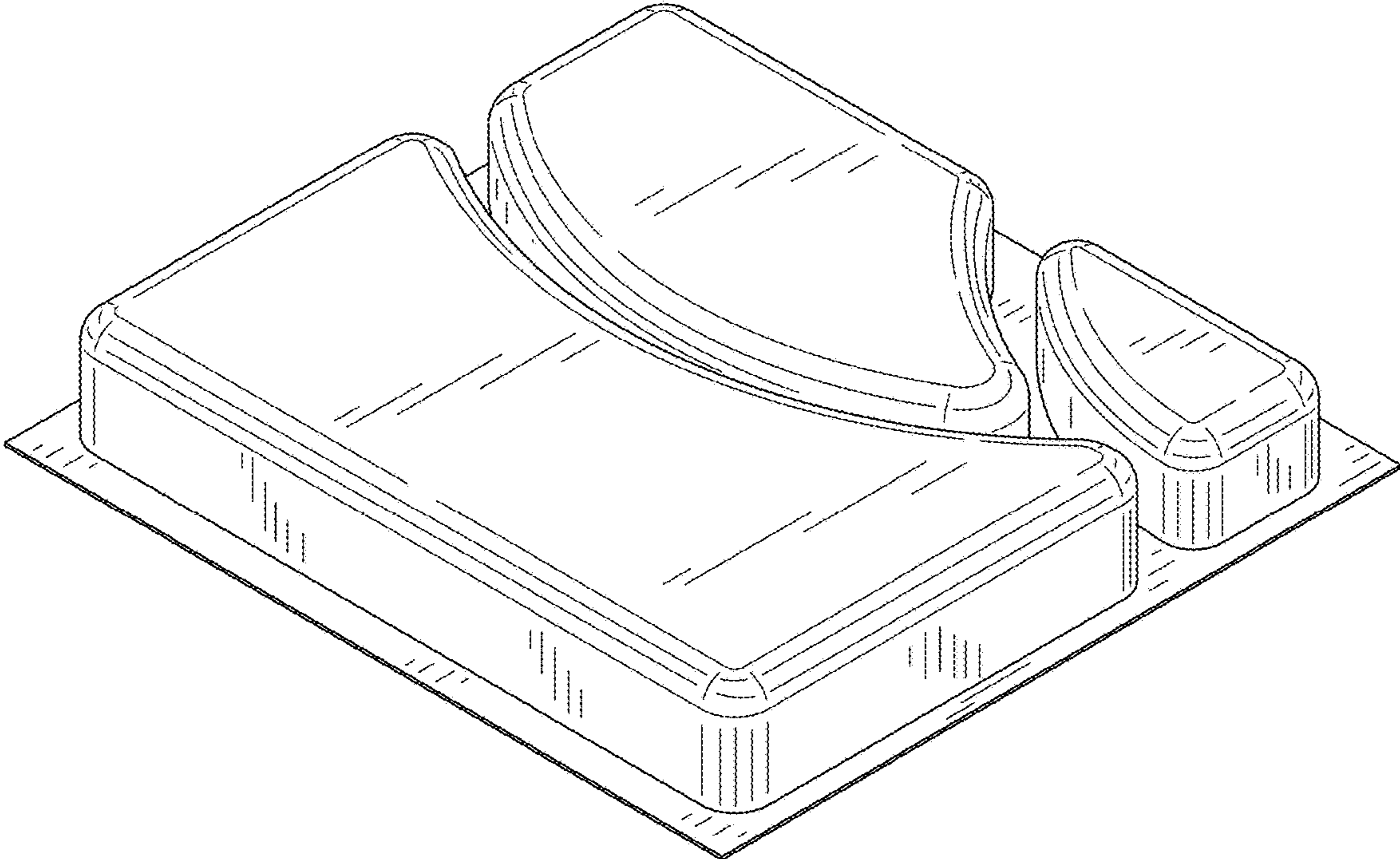


FIG.1

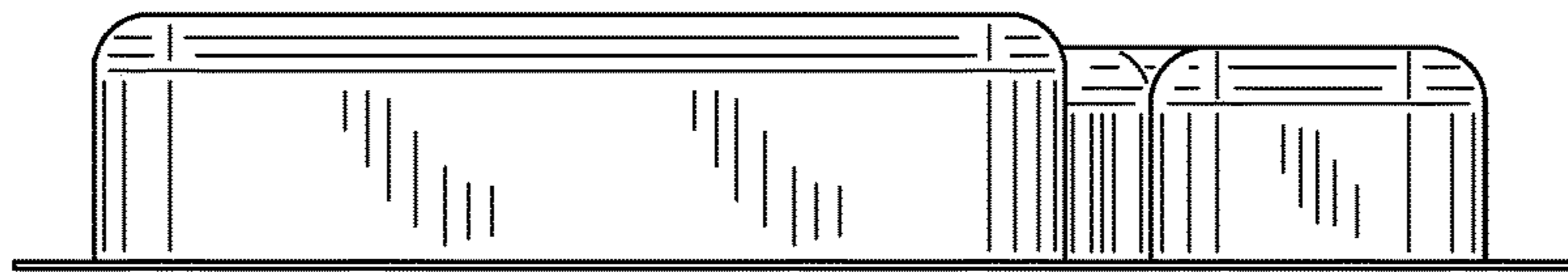


FIG. 2

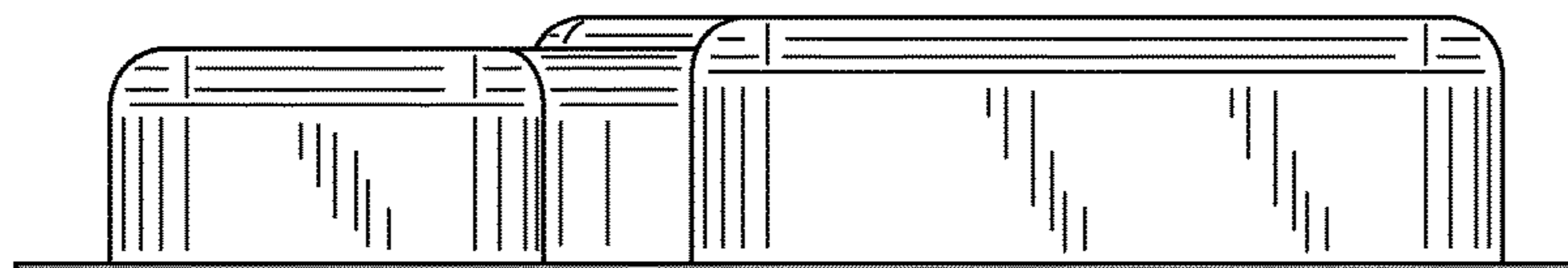


FIG. 3

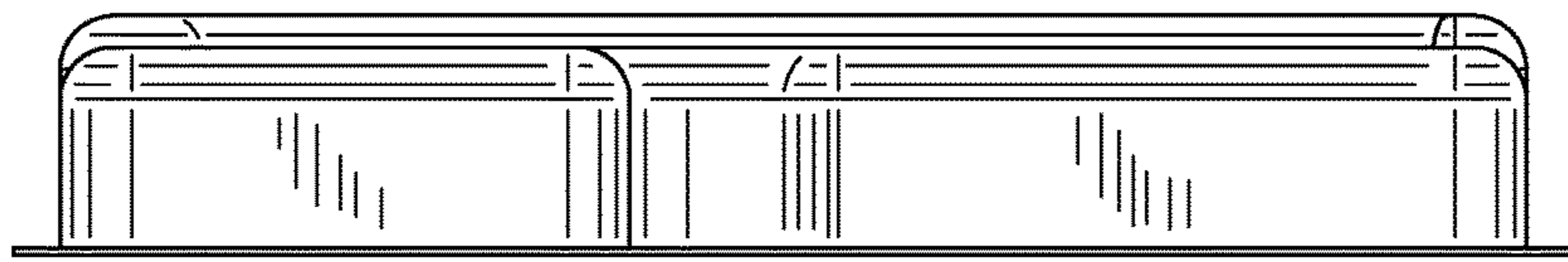


FIG.4

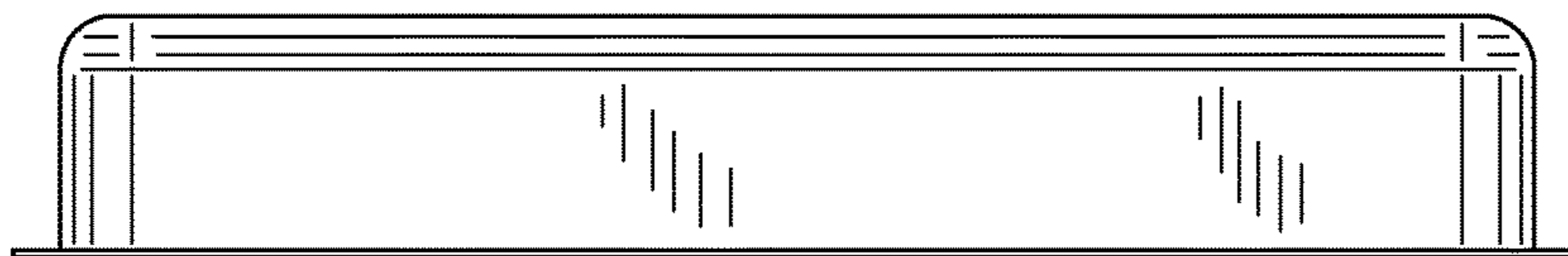


FIG.5

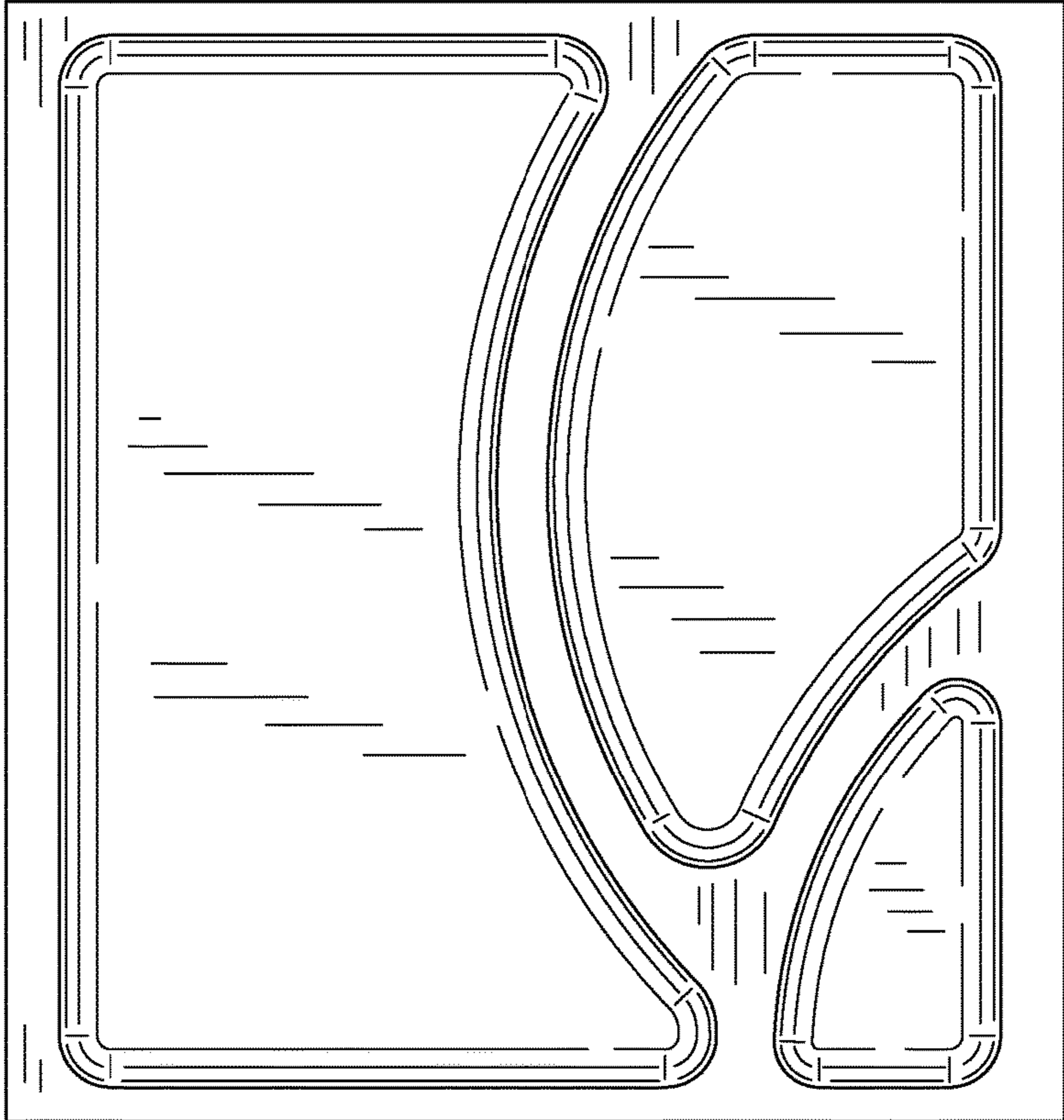


FIG.6

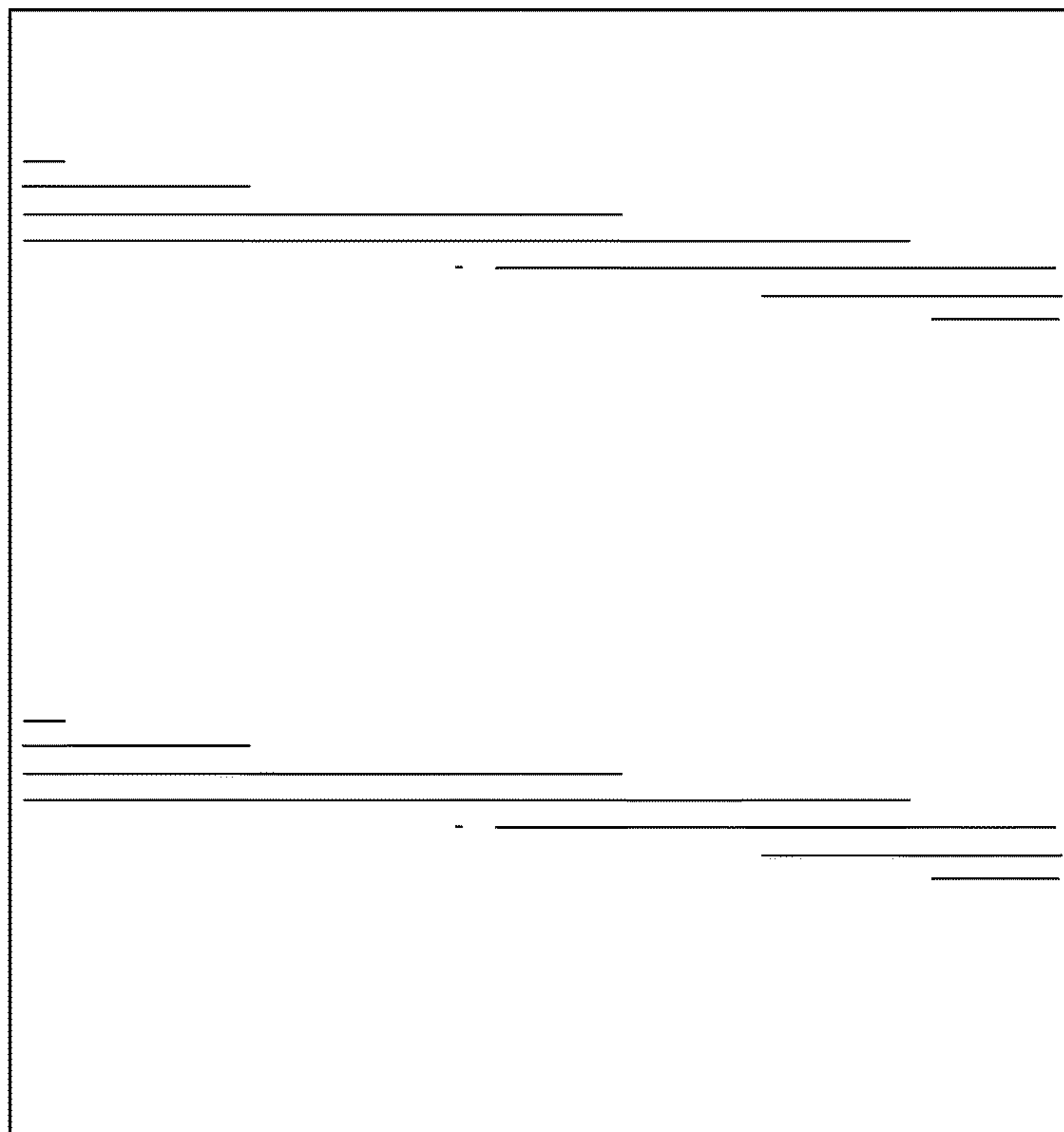


FIG.7