



US00D846798S

(12) **United States Design Patent**
Chen

(10) **Patent No.:** **US D846,798 S**

(45) **Date of Patent:** **** Apr. 23, 2019**

(54) **ELECTRONIC CIGARETTE**

Primary Examiner — Marissa J Cash

(71) Applicant: **Shenzhen Smoore Technology Limited**, Shenzhen, Guangdong (CN)

(57) **CLAIM**

The ornamental design for an electronic cigarette, as shown and described.

(72) Inventor: **Zhiping Chen**, Guangdong (CN)

(73) Assignee: **Shenzhen Smoore Technology Limited**, Shenzhen (CN)

DESCRIPTION

(**) Term: **15 Years**

FIG. 1 is a bottom perspective view of an electronic cigarette in an assembled status showing my new design;
FIG. 2 is a top perspective view of FIG. 1;
FIG. 3 is a front elevational view of FIG. 1;
FIG. 4 is a rear elevational view of FIG. 1;
FIG. 5 is a left side view of FIG. 1;
FIG. 6 is a right side view of FIG. 1;
FIG. 7 is a top plan view of FIG. 1;
FIG. 8 is a bottom plan view of FIG. 1;
FIG. 9 is a bottom perspective view of a first component of the electronic cigarette shown separately for ease of illustration;
FIG. 10 is a top perspective view of FIG. 9;
FIG. 11 is a front elevational view of FIG. 9;
FIG. 12 is a rear elevational view of FIG. 9;
FIG. 13 is a left side view of FIG. 9;
FIG. 14 is a right side view of FIG. 9;
FIG. 15 is a top plan view of FIG. 9;
FIG. 16 is a bottom plan view of FIG. 9;
FIG. 17 is a bottom perspective view of a second component of the electronic cigarette shown separately for ease of illustration;
FIG. 18 is a top perspective view of FIG. 17;
FIG. 19 is a front elevational view of FIG. 17;
FIG. 20 is a rear elevational view of FIG. 17;
FIG. 21 is a left side view of FIG. 17;
FIG. 22 is a right side view of FIG. 17;
FIG. 23 is a top plan view of FIG. 17; and,
FIG. 24 is a bottom plan view of FIG. 17.
The broken lines in the drawings illustrate portions of the electronic cigarette which form no part of the claimed design.

(21) Appl. No.: **29/623,197**

(22) Filed: **Oct. 23, 2017**

(30) **Foreign Application Priority Data**

Apr. 25, 2017 (CN) 2017 3 0143931

(51) **LOC (11) Cl.** **27-02**

(52) **U.S. Cl.**
USPC **D27/163**

(58) **Field of Classification Search**
USPC D27/100, 101, 162, 163–194;
D19/115–123, 161–169; D24/110;
D23/366

CPC A24F 47/008; A24F 47/002
See application file for complete search history.

(56) **References Cited**

U.S. PATENT DOCUMENTS

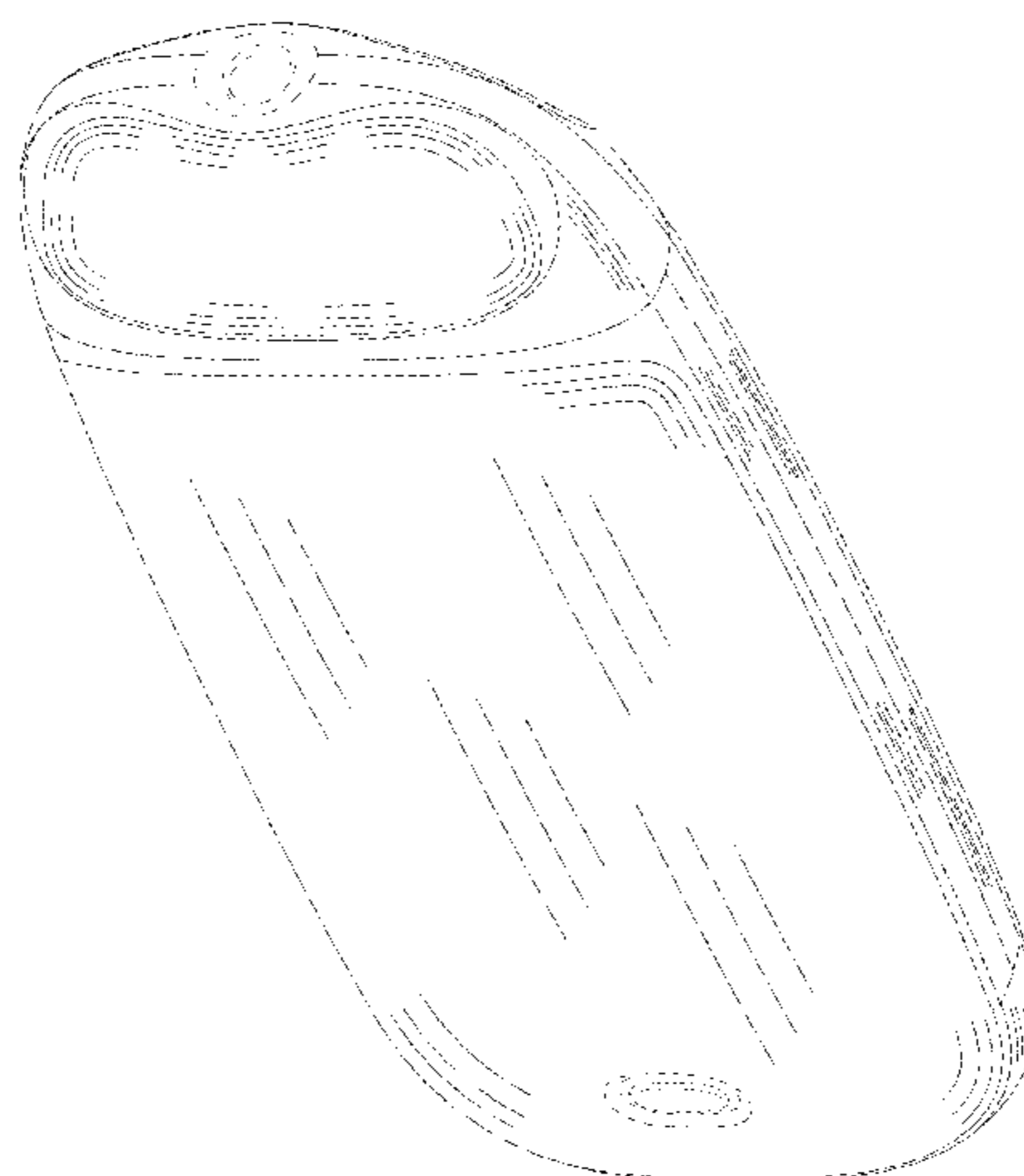
D367,526 S * 2/1996 Bignon D23/366
D373,993 S * 9/1996 Kettula D13/107
D379,473 S * 5/1997 DeLorenzo D19/159
D447,276 S * 8/2001 Gustafson D27/165
D453,531 S * 2/2002 Simon D19/163
D478,983 S * 8/2003 Whitehall D24/110

(Continued)

OTHER PUBLICATIONS

SMPO by breazy. dated 2018. found online [Aug. 2, 2018] https://breazy.com/products/smpo-starter-kit-smpo.*

1 Claim, 24 Drawing Sheets



(56)

References Cited

U.S. PATENT DOCUMENTS

D518,569 S * 4/2006 Nishibayashi D24/110
 D541,923 S * 5/2007 Castillo Higareda D23/366
 D552,730 S * 10/2007 Collins D24/110
 D562,889 S * 2/2008 Qiu D19/163
 D579,544 S * 10/2008 Birath D24/110
 D619,579 S * 7/2010 Flores Rodrigues Vieira
 D14/411
 D642,255 S * 7/2011 Mazzeo D23/366
 D686,621 S * 7/2013 Pawlus D14/411
 D689,999 S * 9/2013 Viala D23/366
 D700,397 S * 2/2014 Manca D27/189
 D700,738 S * 3/2014 Rennick D27/189
 D748,853 S * 2/2016 Seibel D27/101
 D762,002 S * 7/2016 Liu D27/162
 D763,502 S * 8/2016 Verleur D27/167
 D779,719 S * 2/2017 Qiu D27/101
 D790,123 S * 6/2017 Beer D27/101
 D790,124 S * 6/2017 Beer D27/101
 D790,125 S * 6/2017 Beer D27/101

D799,111 S * 10/2017 Qiu D27/101
 D802,834 S * 11/2017 Mathias D27/163
 D807,574 S * 1/2018 Hawes D27/101
 D808,071 S * 1/2018 Folkerts D27/101
 D808,073 S * 1/2018 Leidel D27/162
 D809,648 S * 2/2018 Ohrt D24/110
 D818,636 S * 5/2018 Qiu D27/101
 D818,638 S * 5/2018 Wright D27/170
 D819,263 S * 5/2018 Zhu D27/101
 D820,514 S * 6/2018 Durand D27/162
 D820,515 S * 6/2018 Nettenstrom D27/167
 D828,953 S * 9/2018 Chen D27/167
 D833,063 S * 11/2018 Qiu D27/101
 D834,246 S * 11/2018 Qiu D27/162
 2015/0034104 A1 * 2/2015 Zhou A24F 47/008
 131/329
 2015/0320116 A1 * 11/2015 Bleloch A61M 15/06
 219/628
 2016/0331912 A1 * 11/2016 Trzeczieski A61M 11/042
 2016/0353805 A1 * 12/2016 Hawes A24F 47/008
 2017/0215478 A1 * 8/2017 Harrison A24F 47/008
 2018/0084828 A1 * 3/2018 Phillips A24F 47/008

* cited by examiner

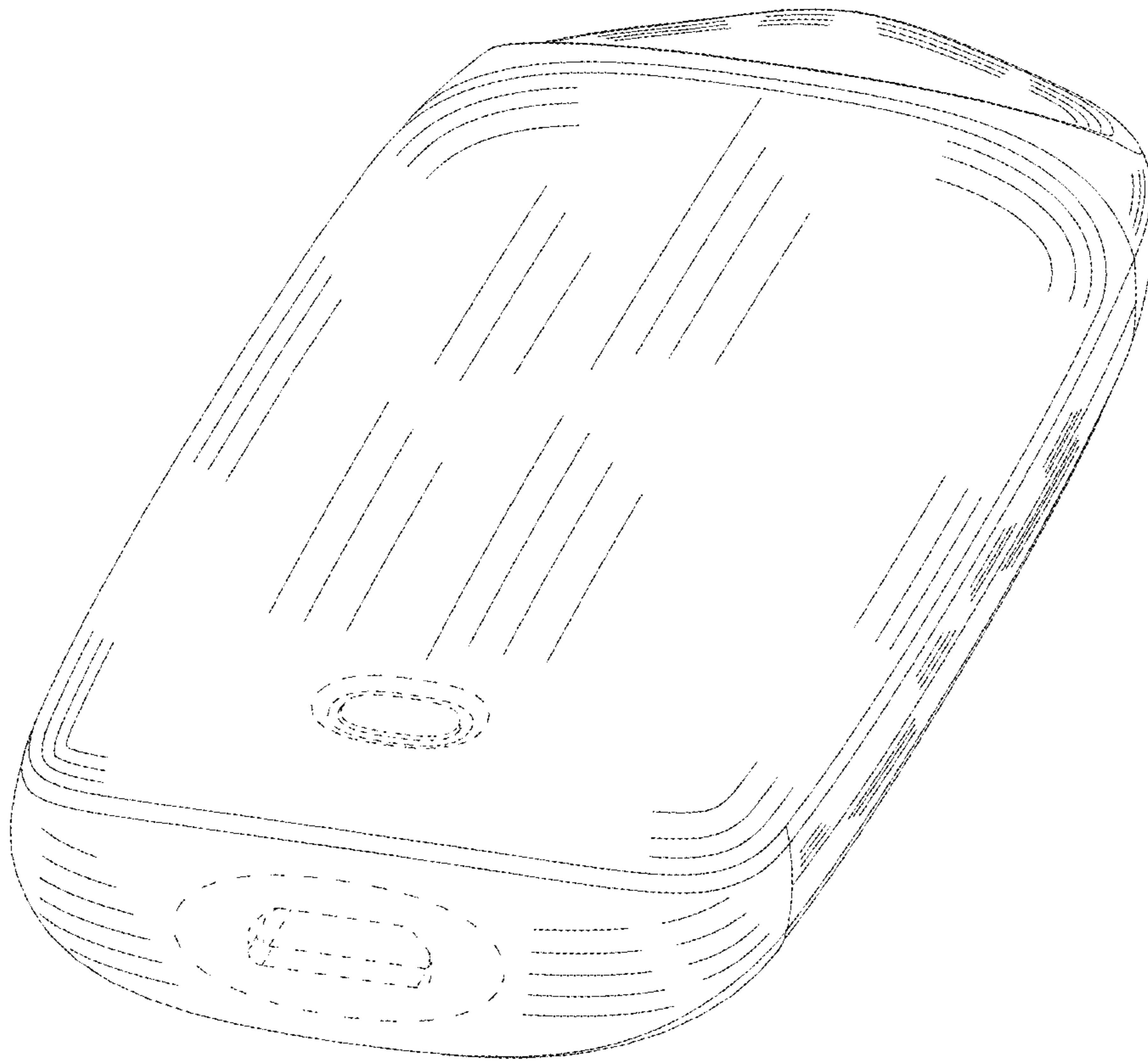


FIG.1



FIG.2

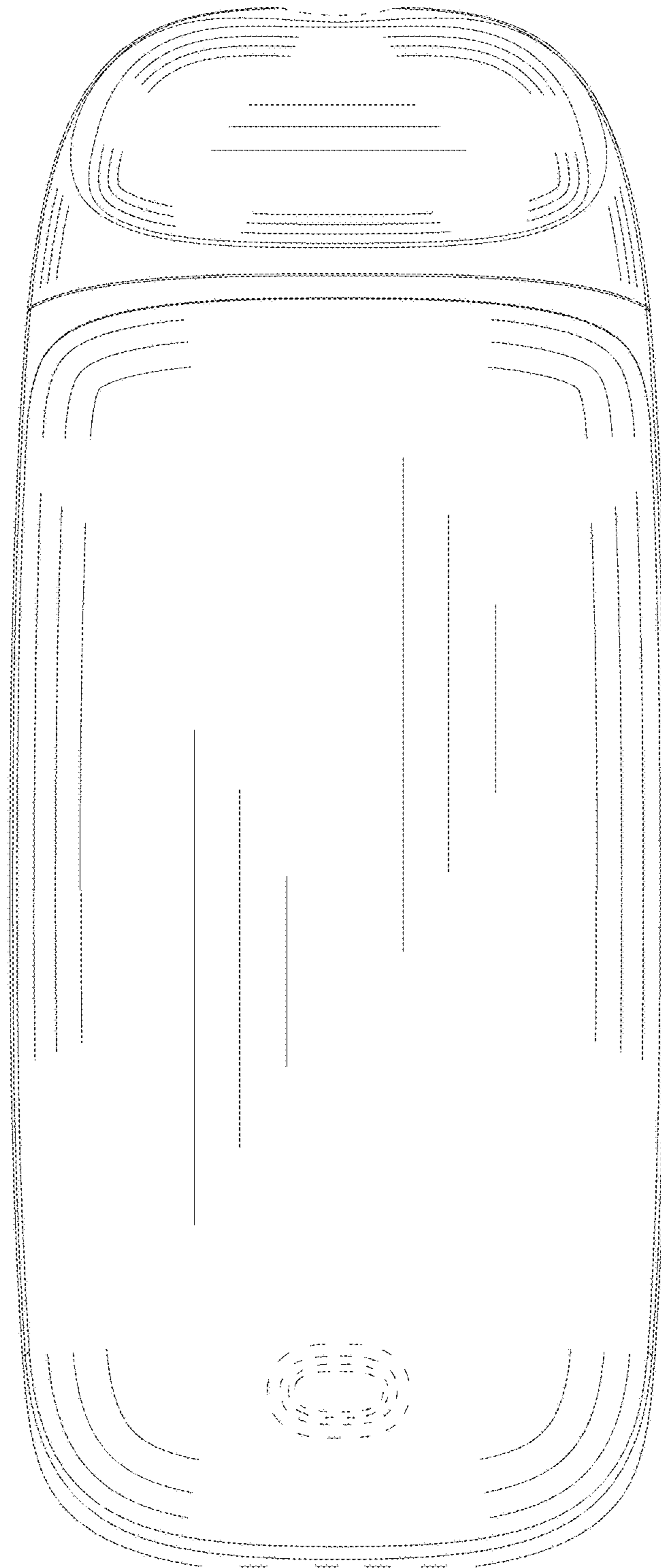


FIG.3

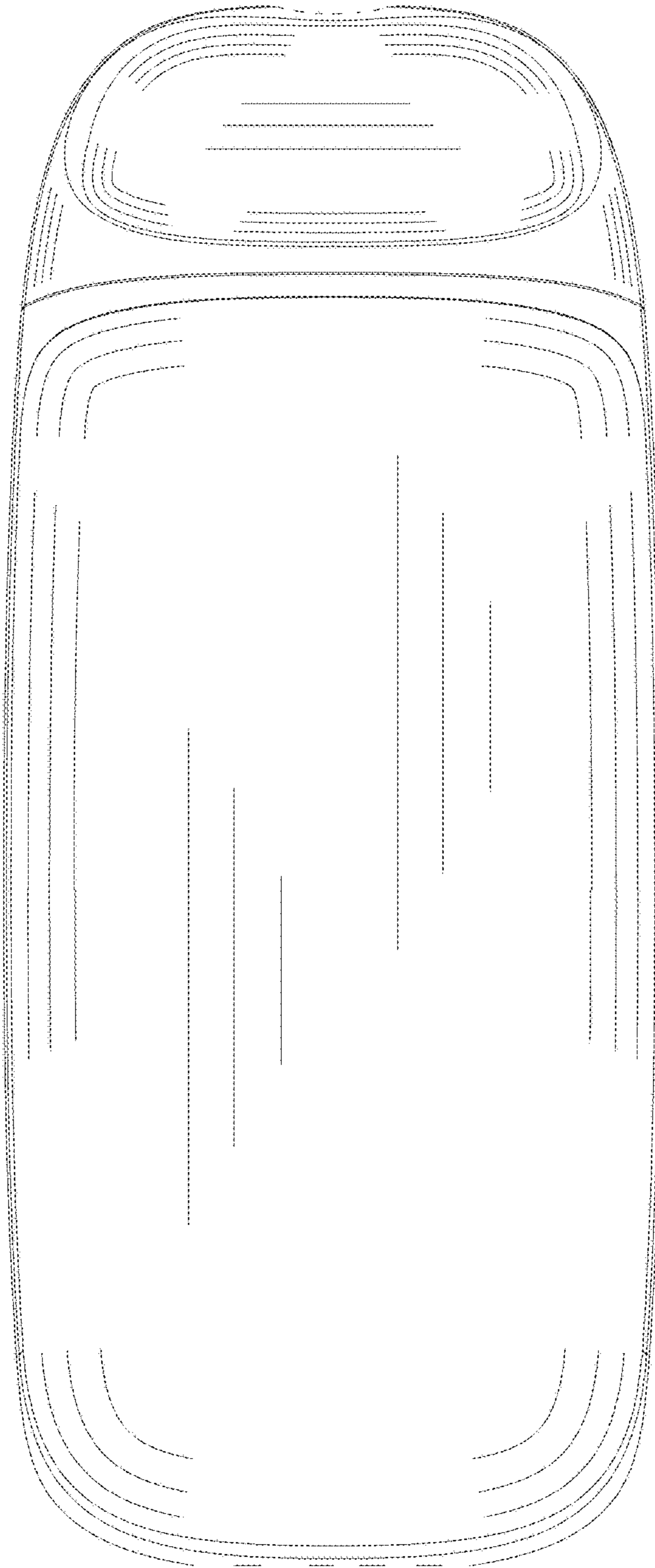


FIG. 4

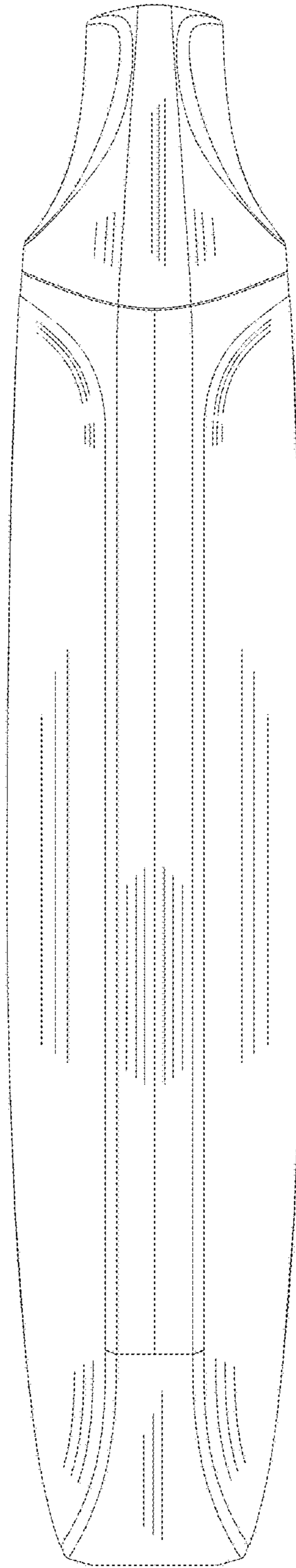


FIG.5

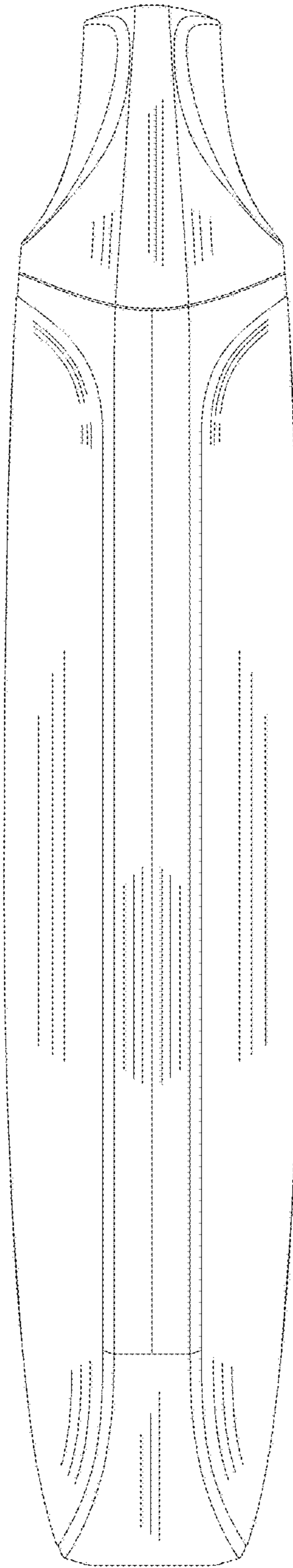


FIG.6

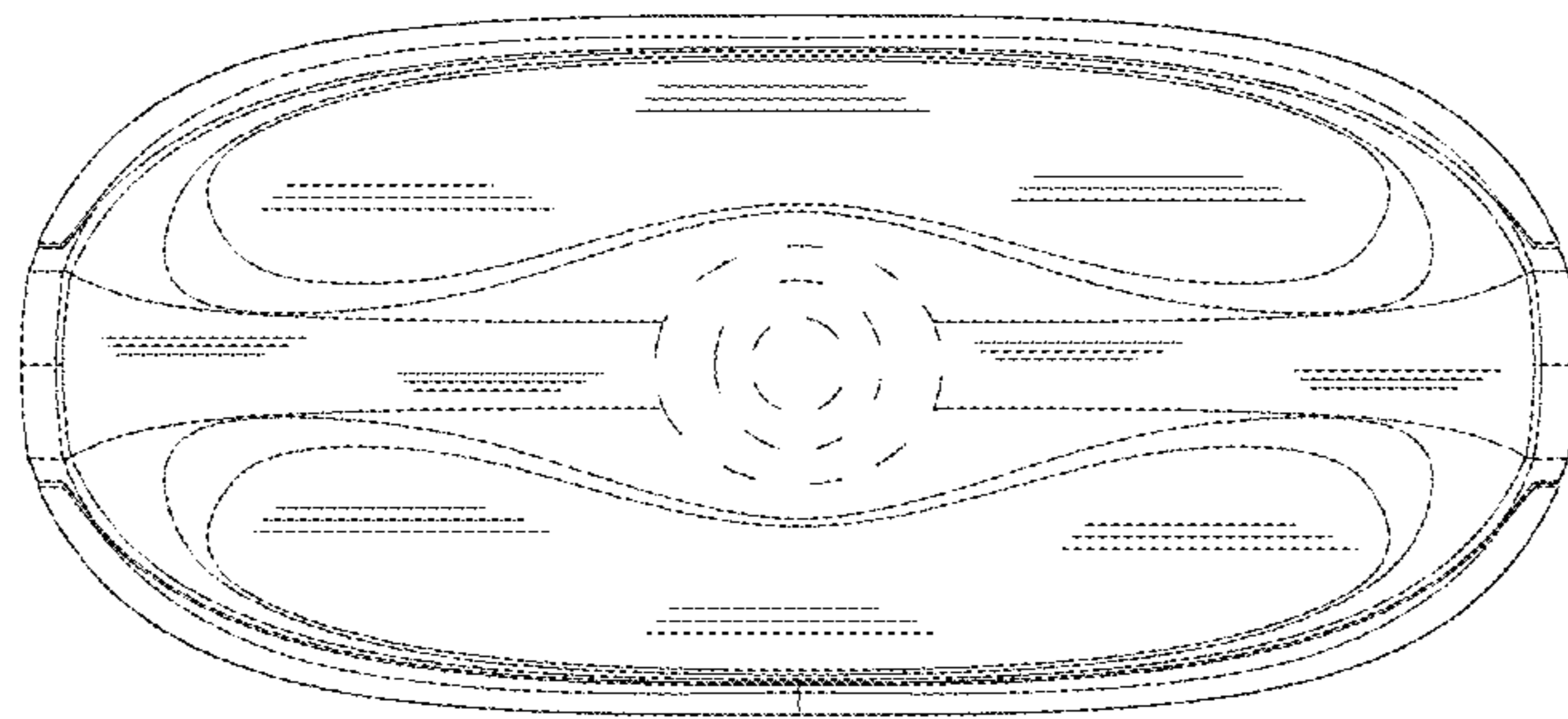


FIG.7

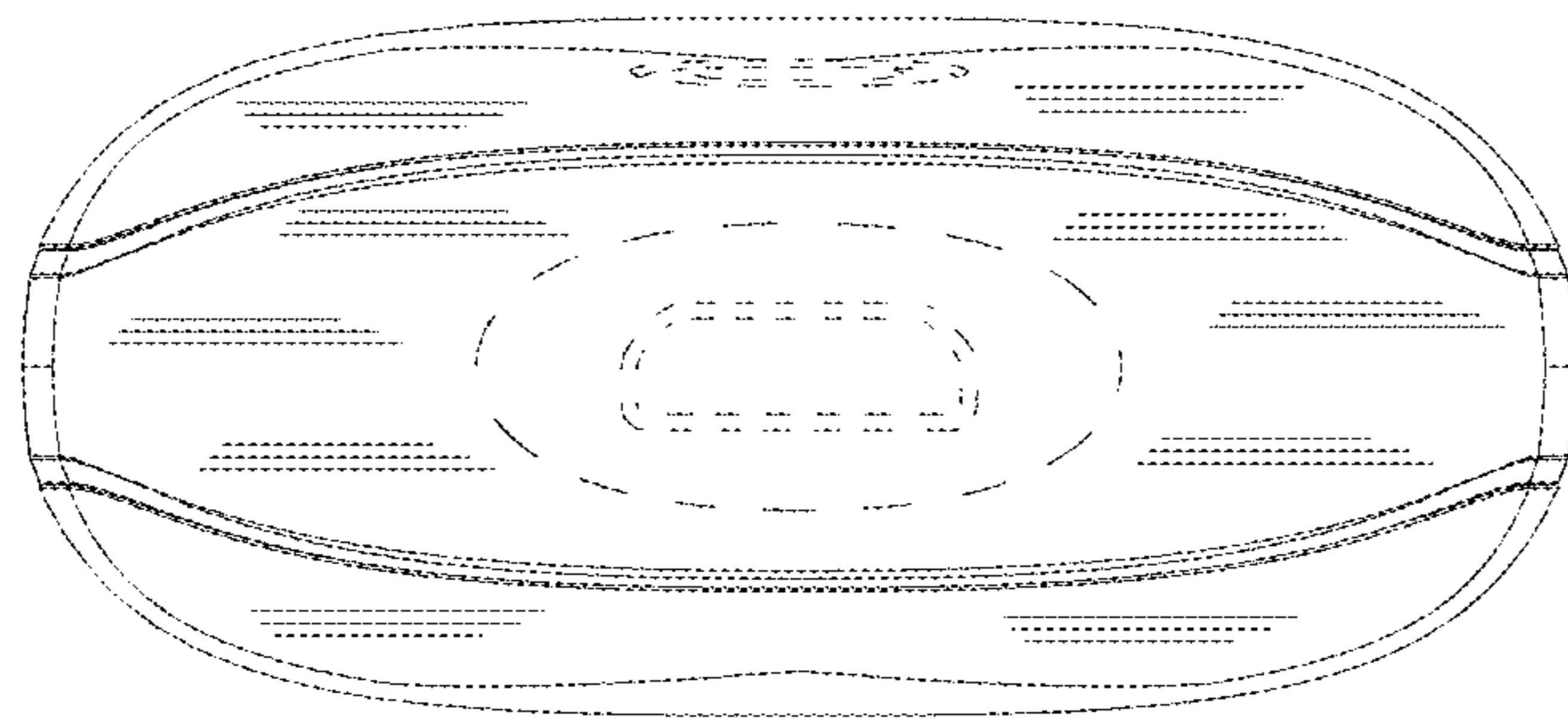


FIG. 8

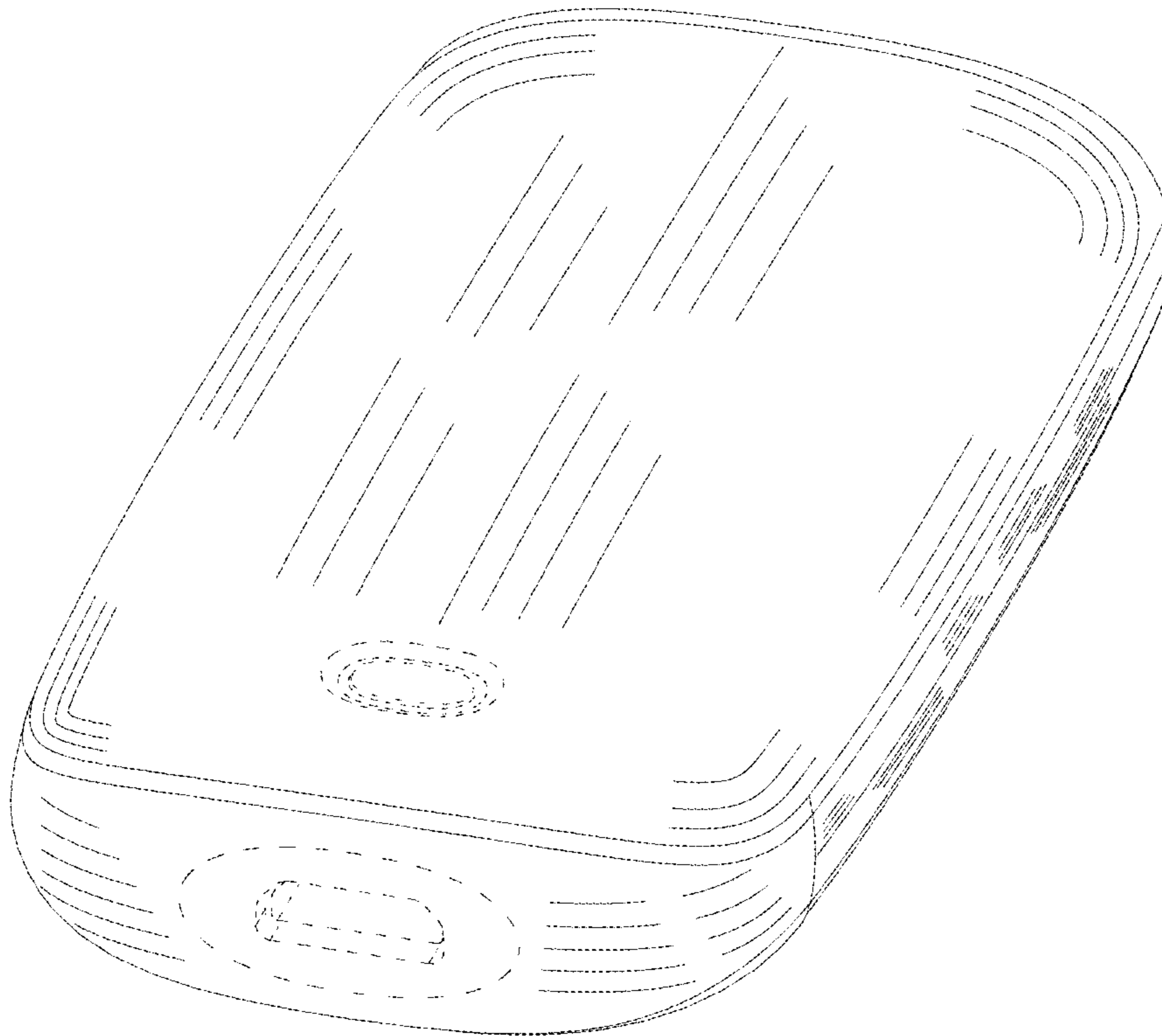


FIG.9

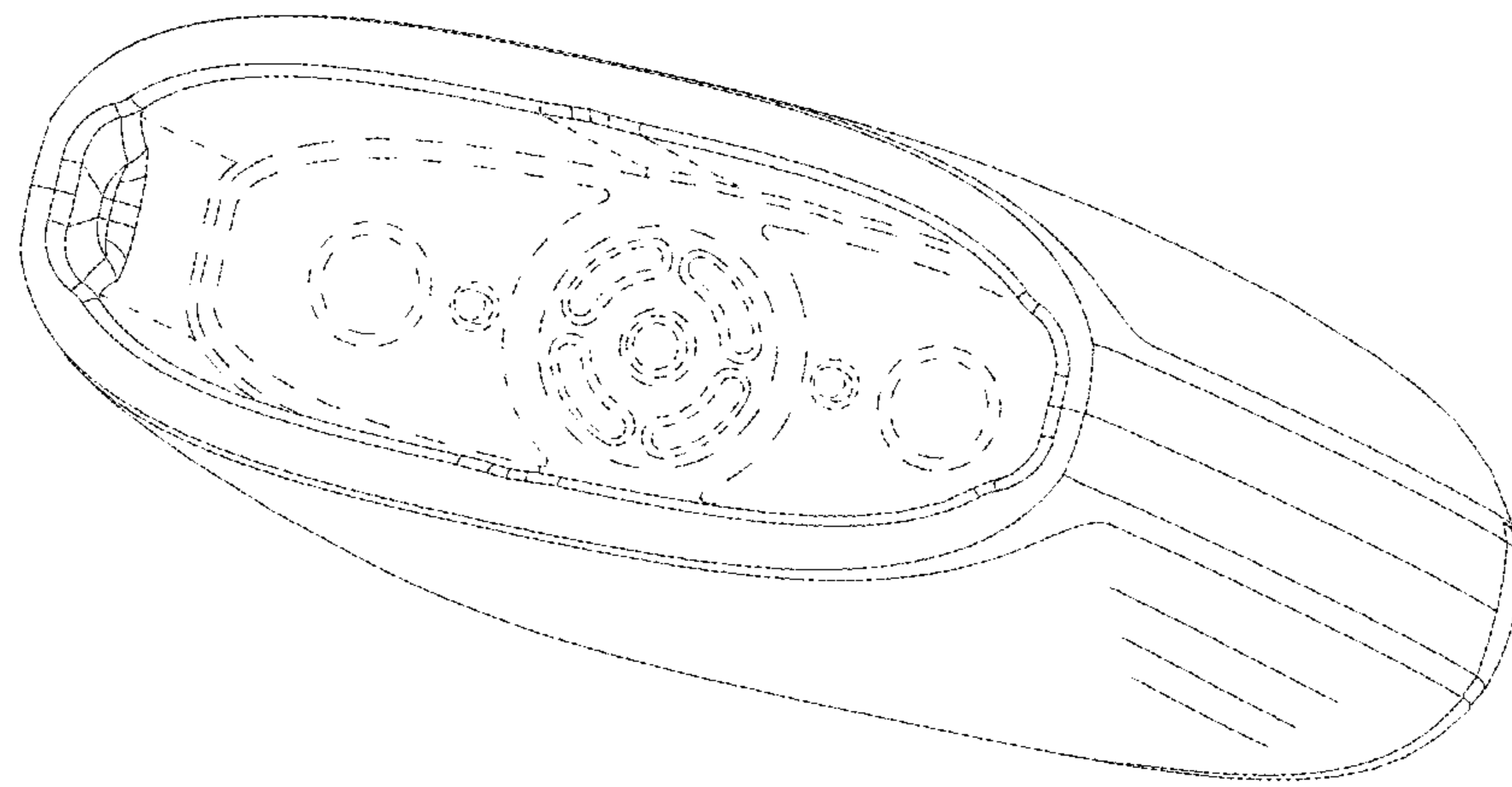


FIG.10

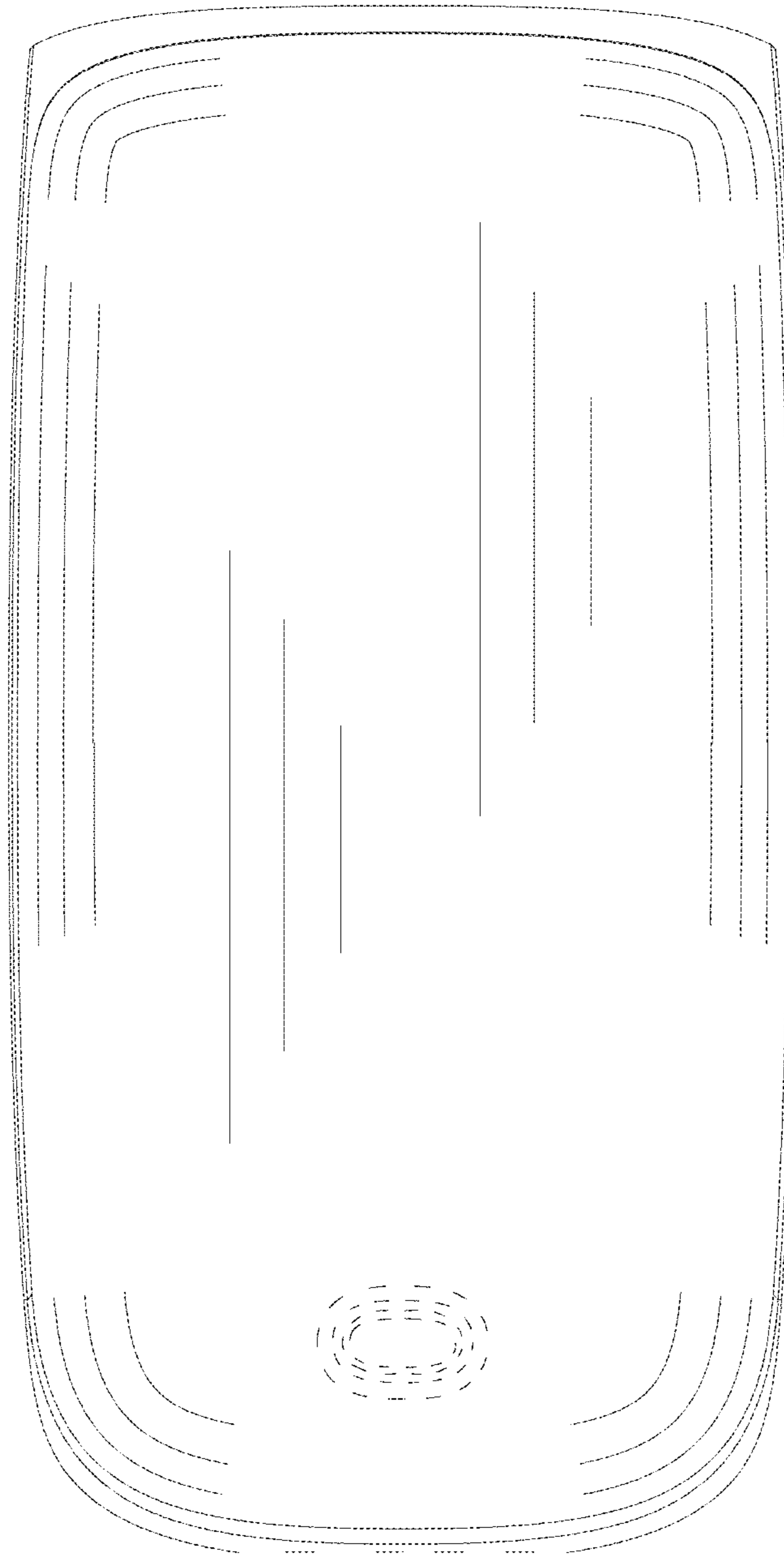


FIG.11

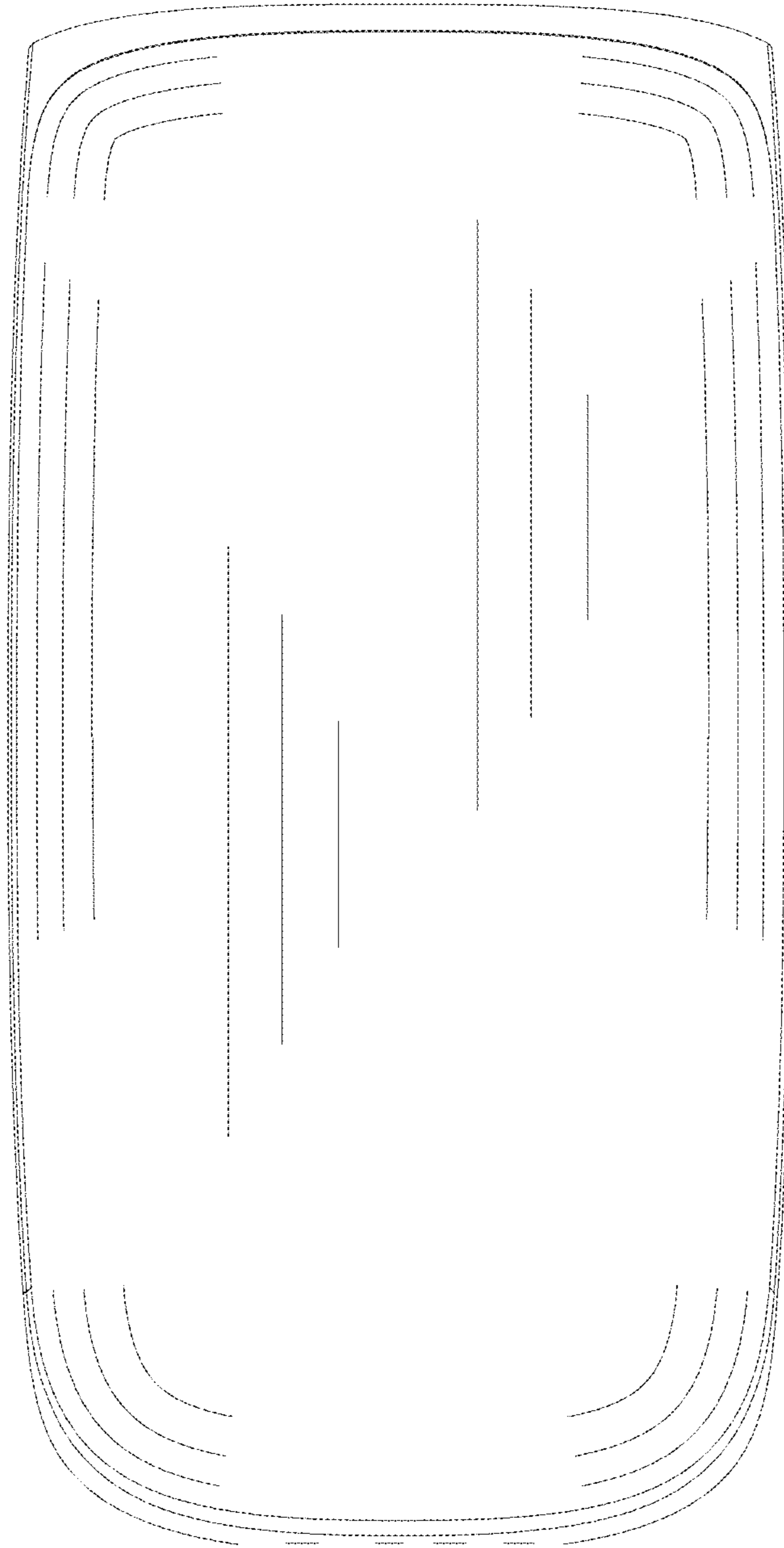


FIG.12

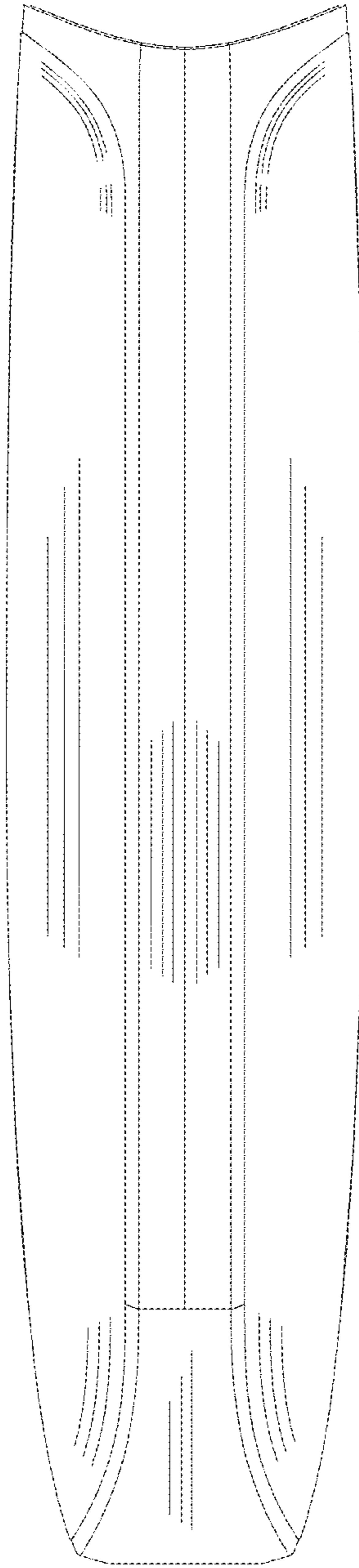


FIG.13

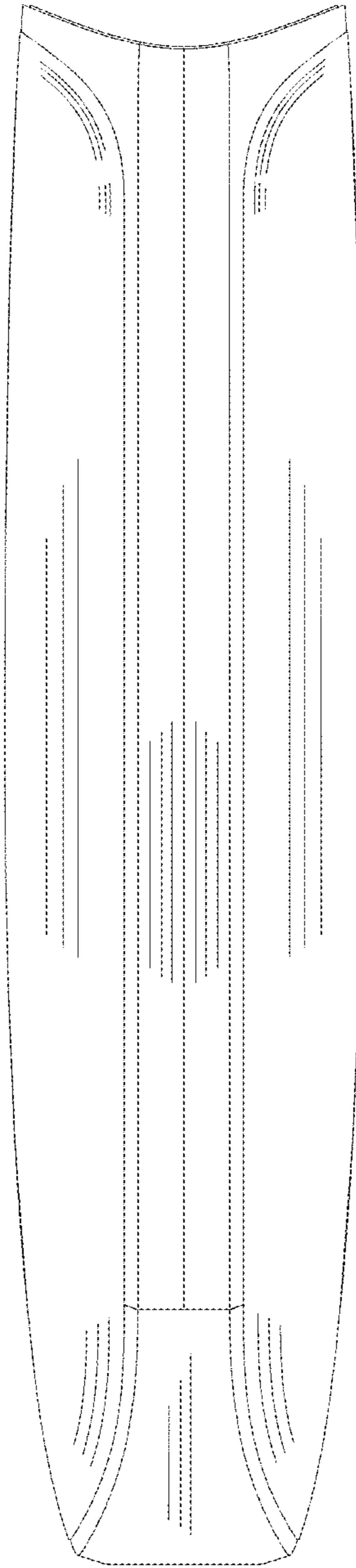


FIG. 14

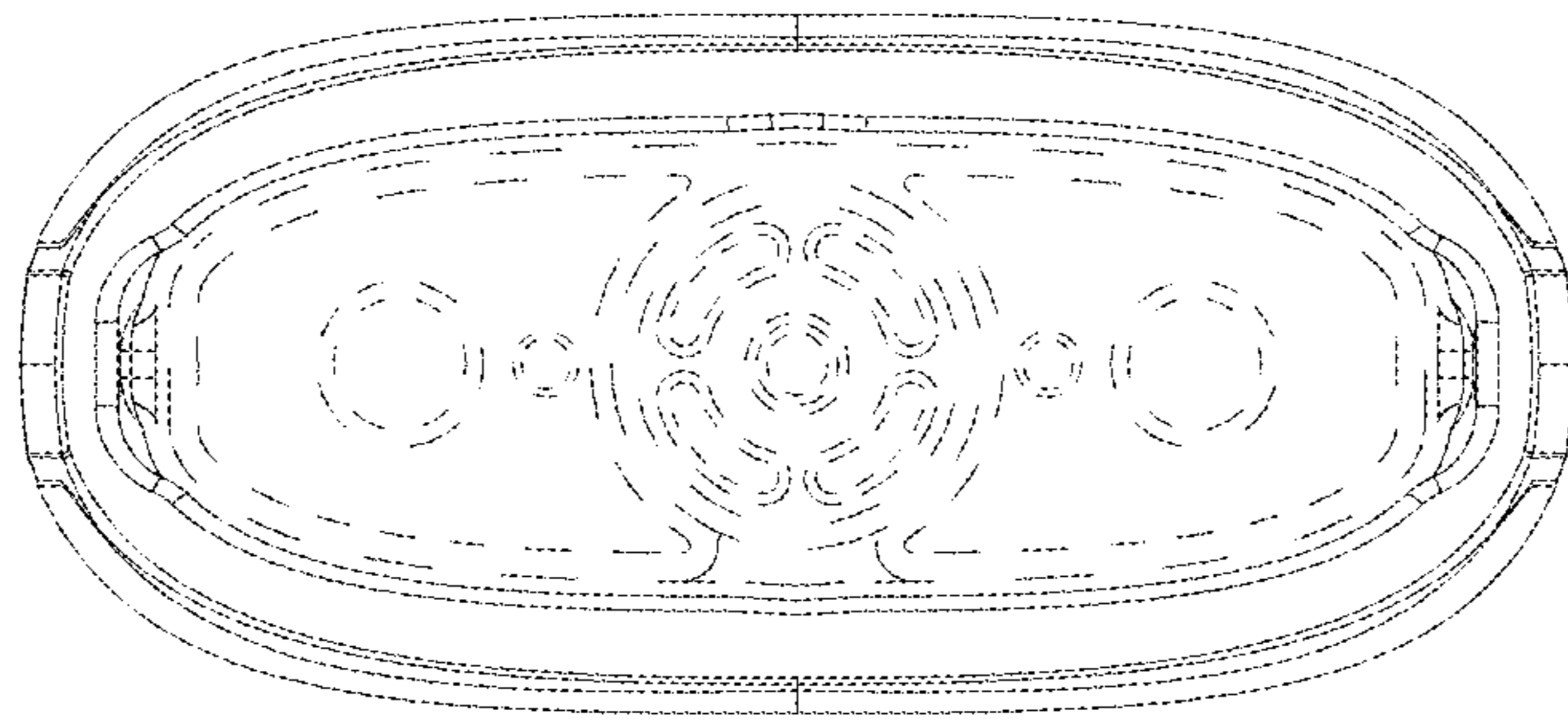


FIG. 15

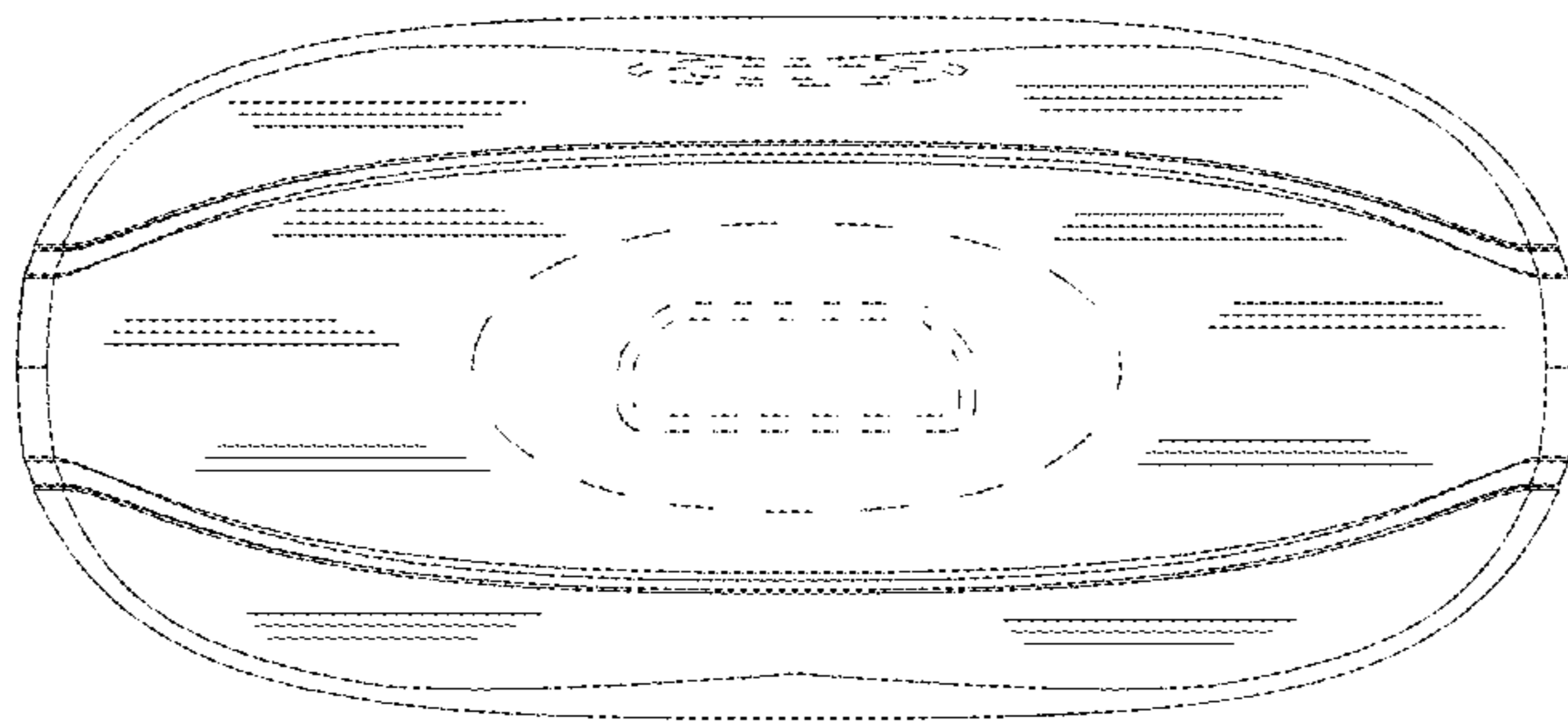


FIG. 16

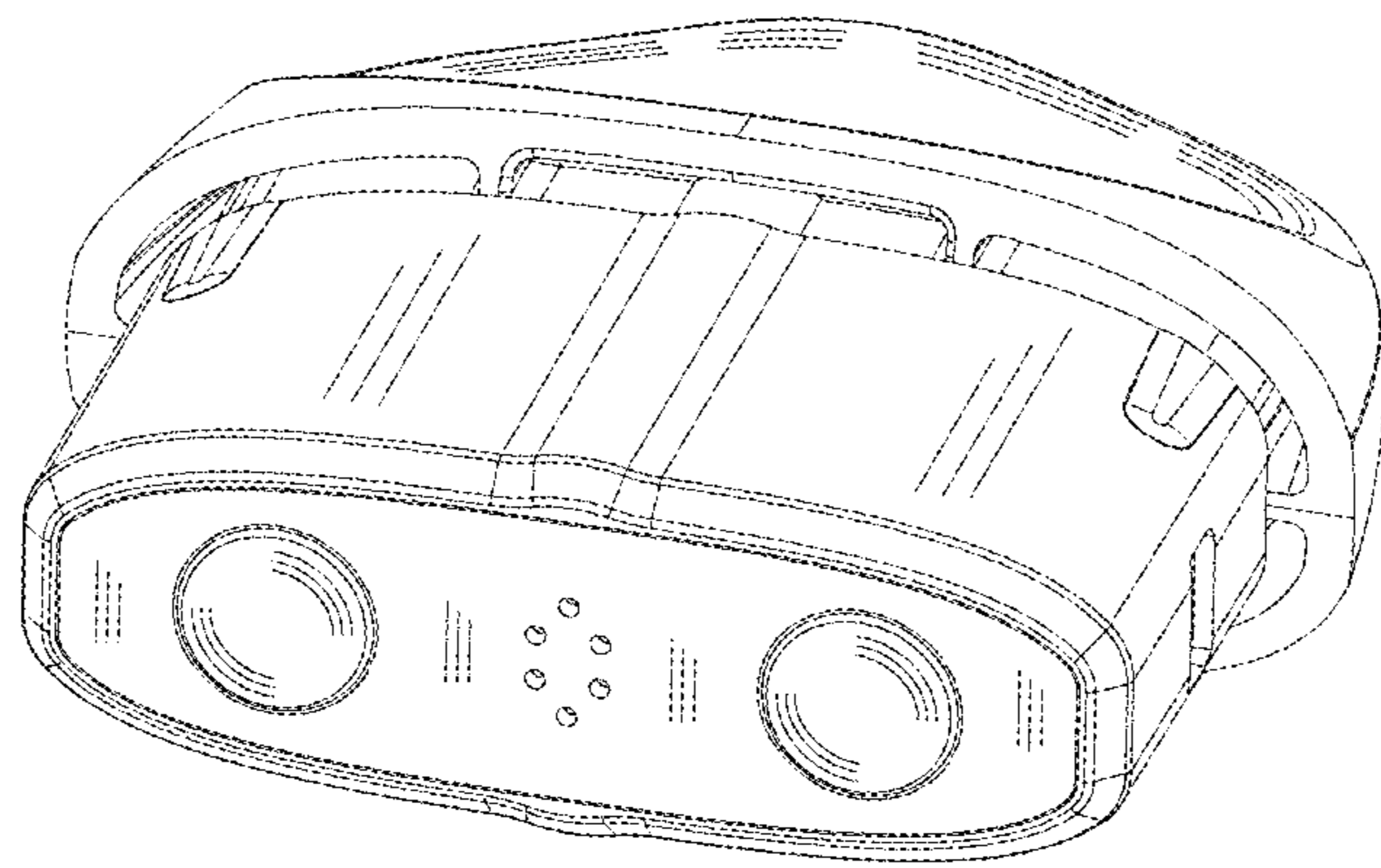


FIG.17

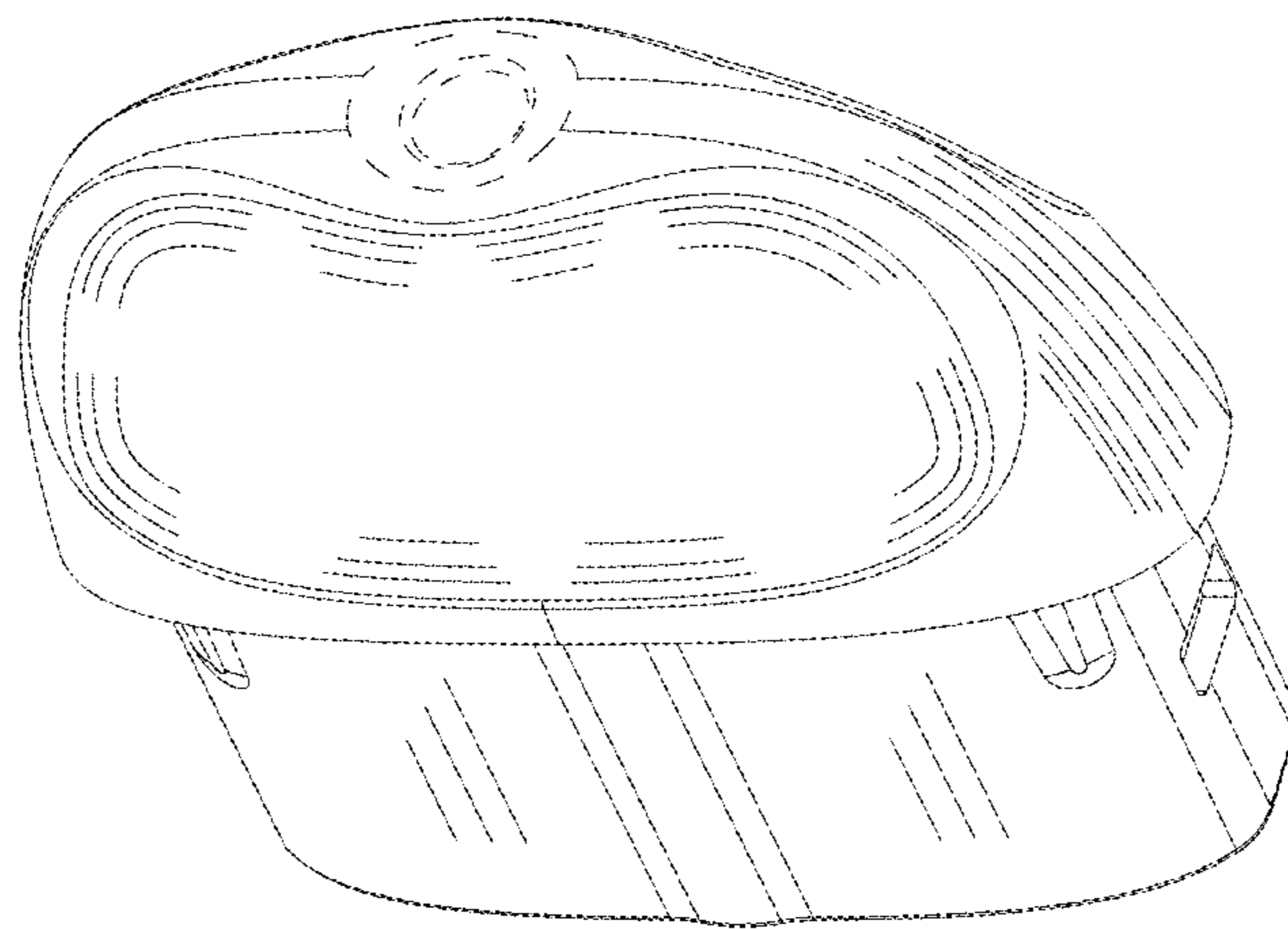


FIG.18

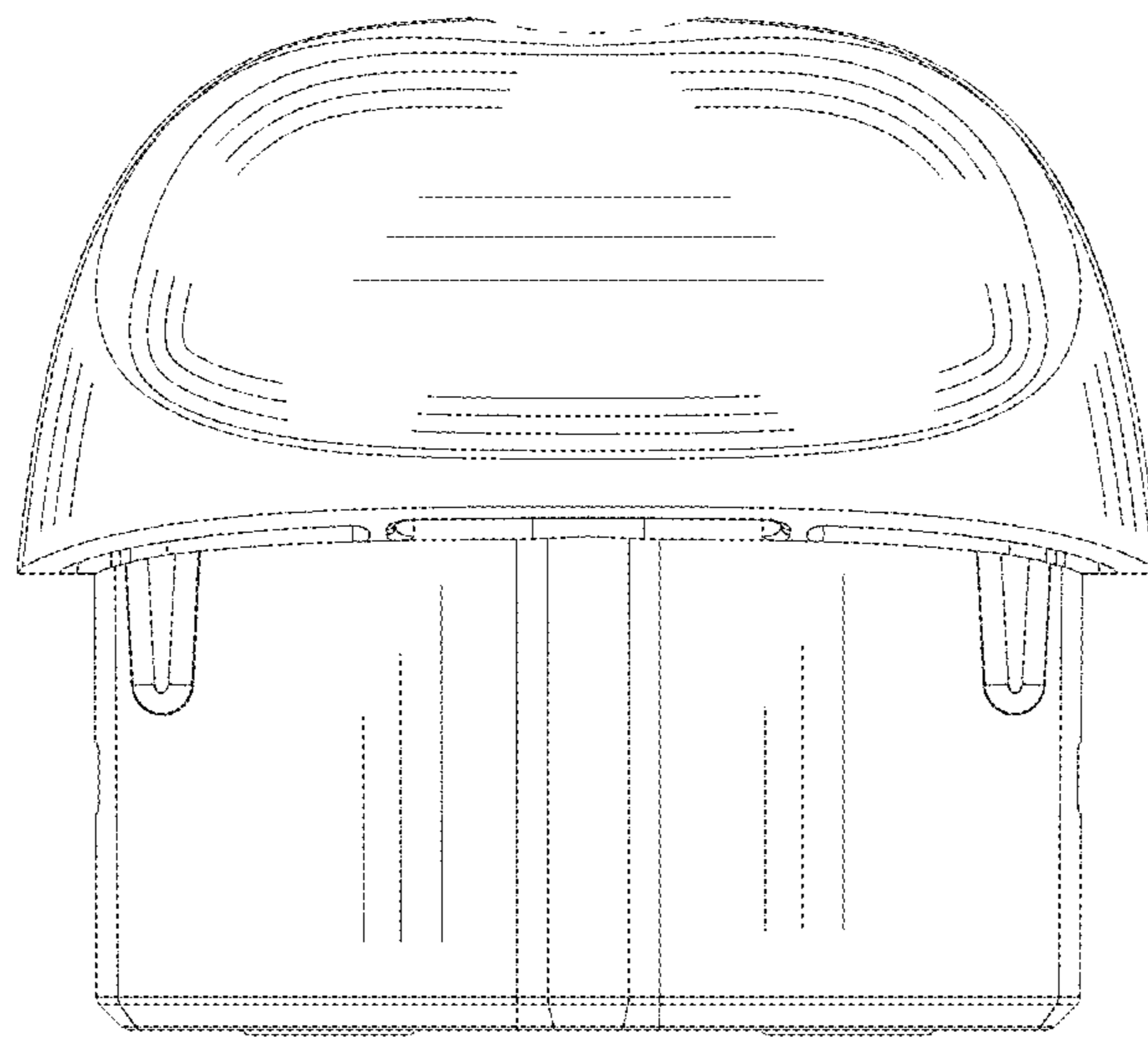


FIG.19

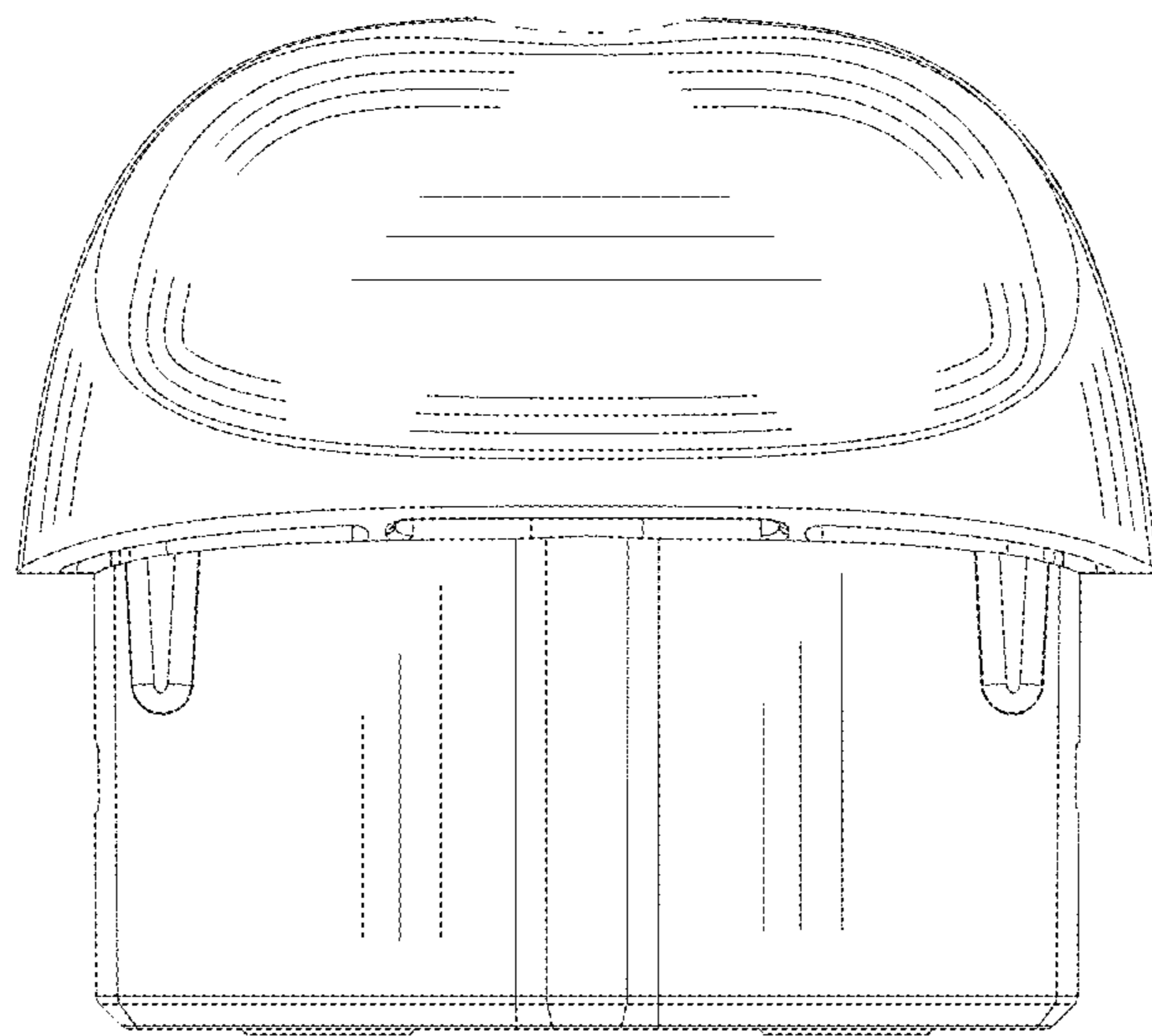


FIG.20

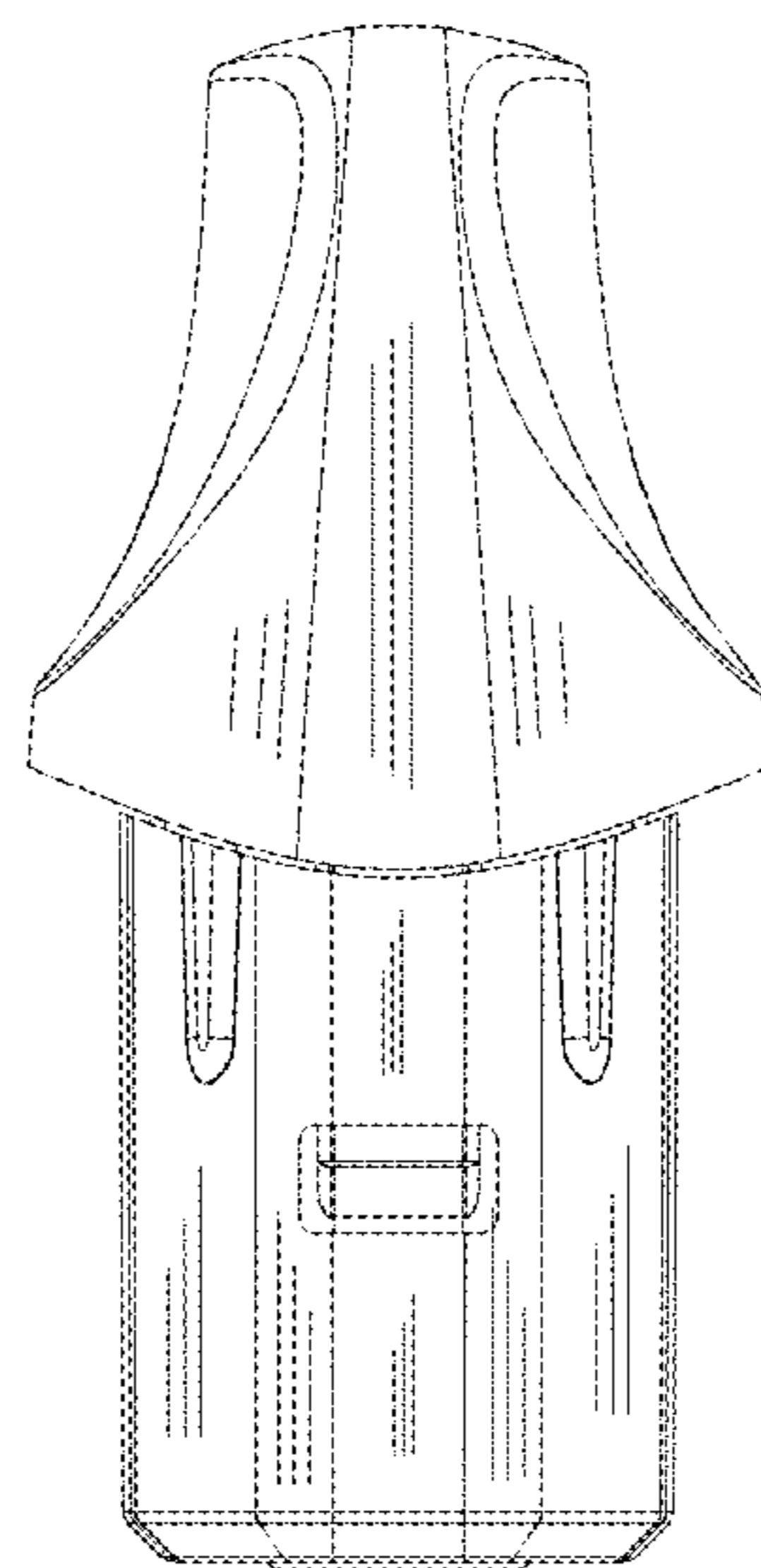


FIG.21

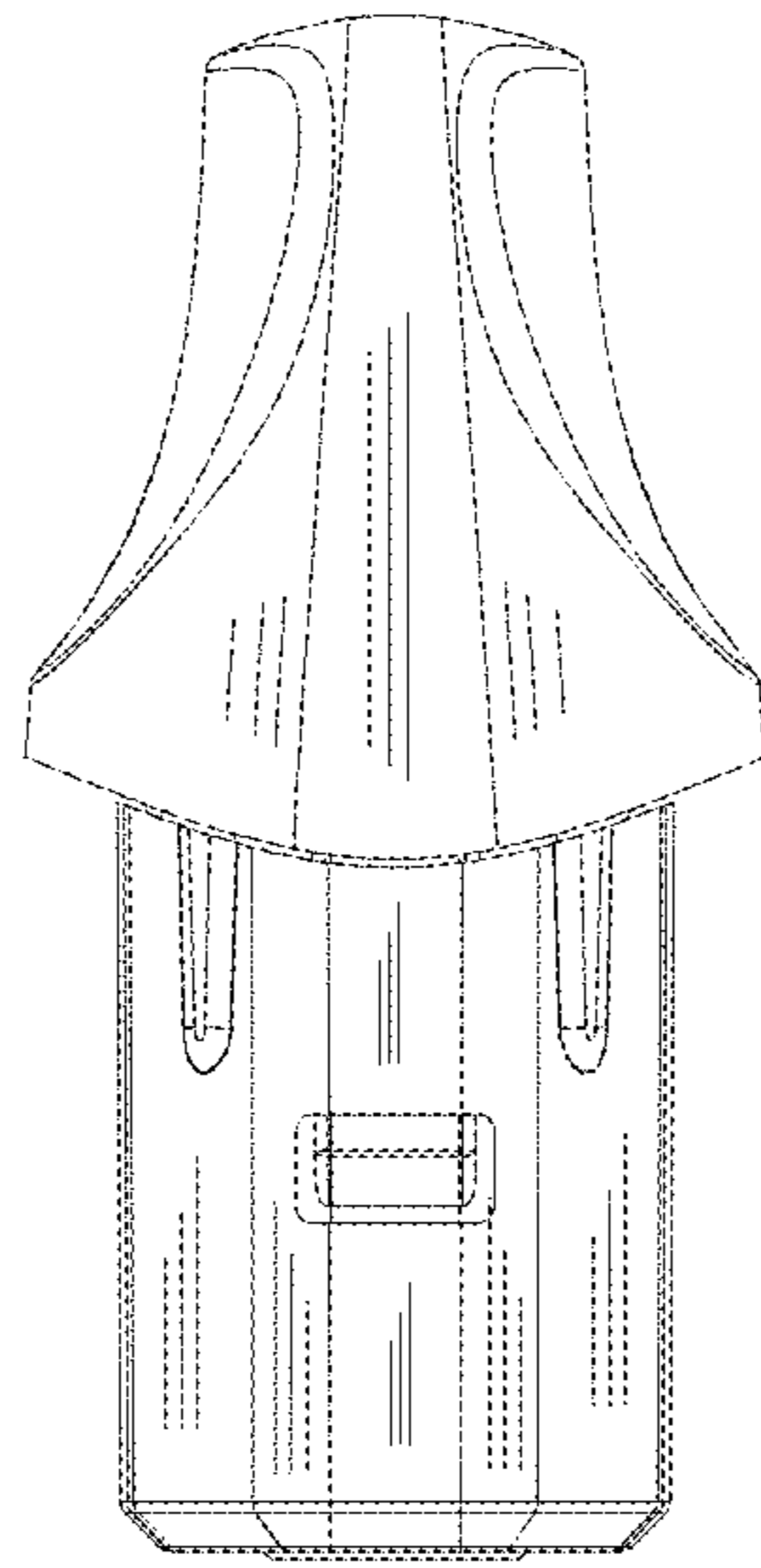


FIG.22

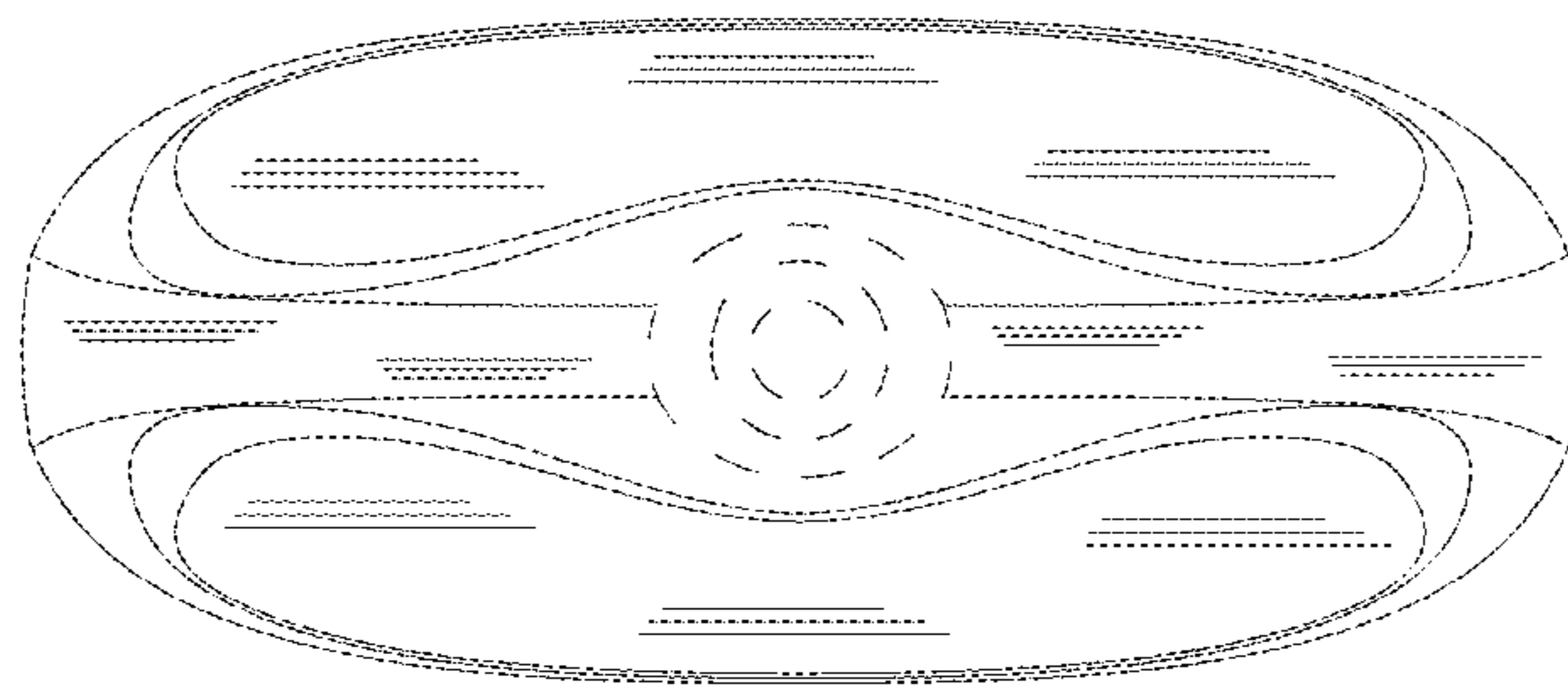


FIG.23

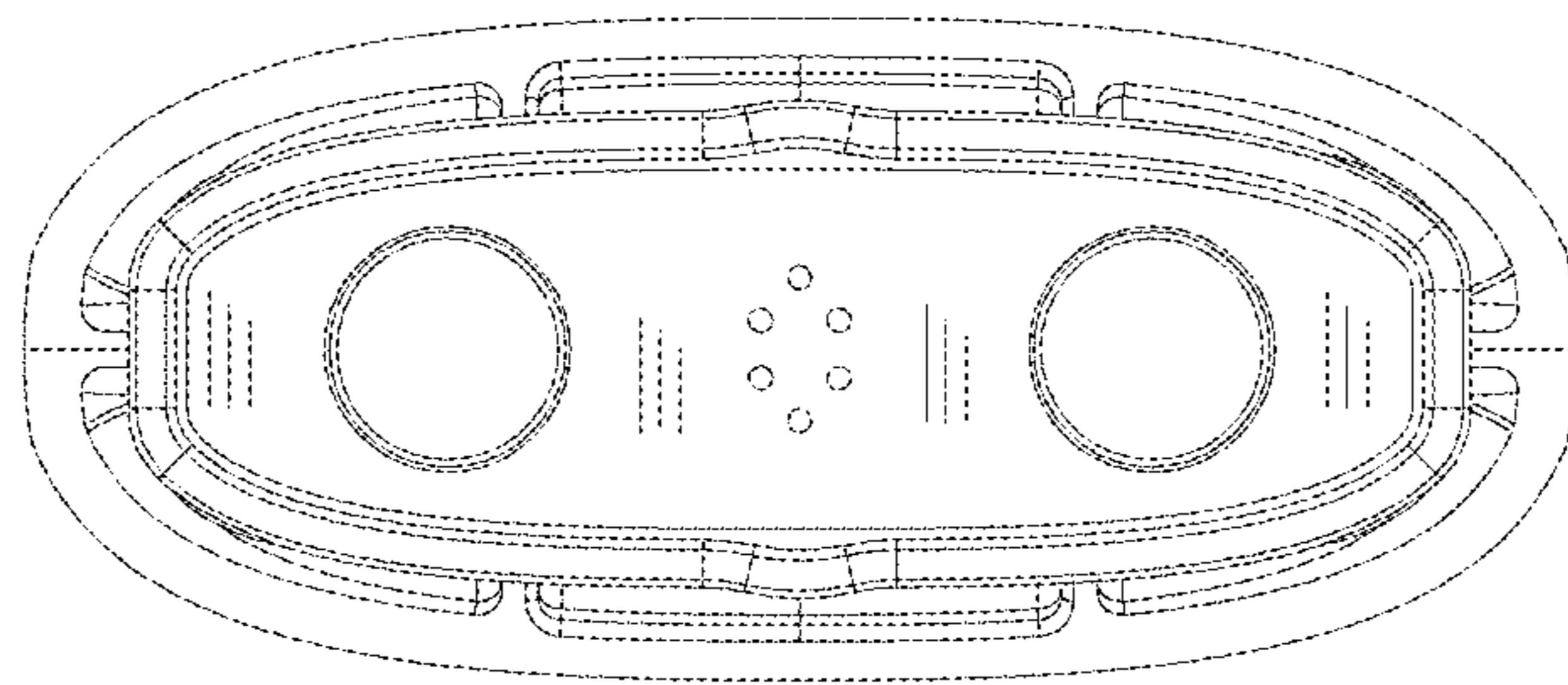


FIG.24