



US00D846794S

(12) **United States Design Patent** (10) **Patent No.:** **US D846,794 S**
Middelbos (45) **Date of Patent:** **** Apr. 23, 2019**

(54) **ELECTRICAL CONNECTOR**

(71) Applicant: **TECHMAR BEHEER B.V.**, Hengelo (NL)

(72) Inventor: **Roy Middelbos**, EH Hengelo (NL)

(73) Assignee: **Techmar Beheer B.V.**, Hengelo OV (NL)

(**) Term: **15 Years**

(21) Appl. No.: **35/502,819**

(22) Filed: **Mar. 1, 2017**

(80) **Hague Agreement Data**

Int. Filing Date: **Mar. 1, 2017**

Int. Reg. No.: **DM/095569**

Int. Reg. Date: **Mar. 1, 2017**

Int. Reg. Pub. Date: **Apr. 21, 2017**

(30) **Foreign Application Priority Data**

Sep. 7, 2016 (EM) 003369222-0001

(51) **LOC (11) Cl.** **26-05**

(52) **U.S. Cl.**
USPC **D26/142**

(58) **Field of Classification Search**

USPC D26/24, 37, 76, 78, 79, 80, 81, 82, 83,
D26/85, 86, 88, 90, 93, 111, 113, 118,
D26/119, 120, 121, 122, 138, 139, 140,
D26/141, 142, 152

CPC F21S 2/00; F21S 4/00; F21S 4/003; F21S
4/005; F21S 4/006; F21S 4/007; F21S
4/008; F21S 6/00; F21S 8/00; F21S
8/024; F21S 8/026; F21S 8/031; F21S
8/033; F21S 8/035-8/037; F21S 8/04;
F21S 8/043; F21S 8/063

See application file for complete search history.

(56) **References Cited**

U.S. PATENT DOCUMENTS

D402,426 S *	12/1998	Levine	D30/153
D484,638 S *	12/2003	Pallo	D26/142
D541,960 S *	5/2007	Rothman	D26/37
D553,276 S *	10/2007	Campbell	D26/37
D560,005 S *	1/2008	Matthew	D26/37
D564,684 S *	3/2008	Leung	D26/37
D565,215 S *	3/2008	Lee	D26/37
D650,102 S *	12/2011	Pearson	D26/38
D704,578 S *	5/2014	Chen	D26/43
D723,202 S *	2/2015	Windom	D26/39
D751,750 S *	3/2016	Kjaergaard Toft	D26/113
D794,234 S *	8/2017	Levy	D26/37
D805,681 S *	12/2017	You	D26/113
D806,294 S *	12/2017	Nguyen	D26/37

* cited by examiner

Primary Examiner — Natasha Vujcic

(74) *Attorney, Agent, or Firm* — Woodard Emhardt
Moriarty McNett & Henry LLP

(57) **CLAIM**

The ornamental design for an electrical connector, as shown and described.

DESCRIPTION

1.1 is a front perspective view.

1.2 is a rear perspective view.

1.3 is a front perspective view in an open position.

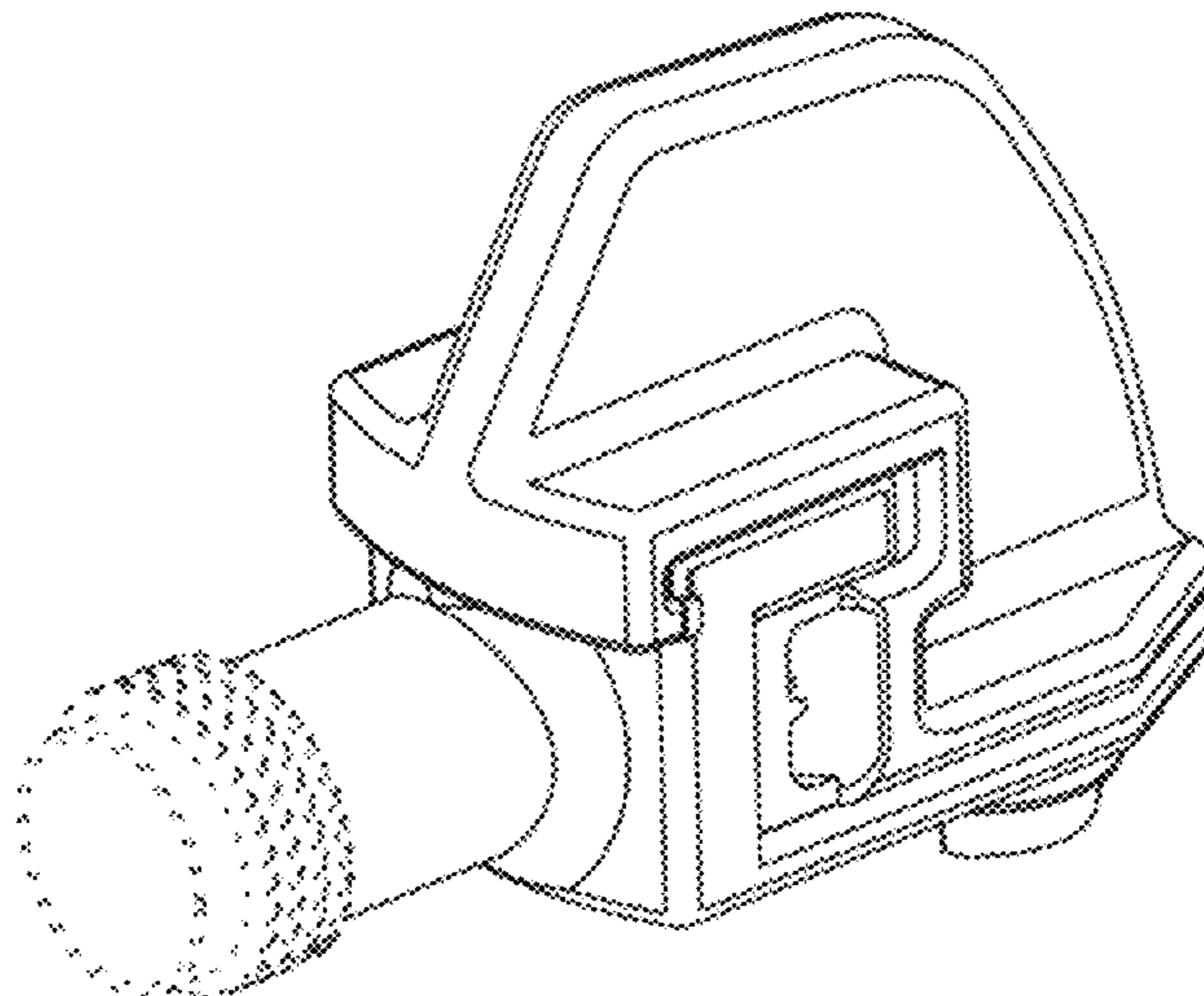
1.4 is a front perspective view in another open position.

1.5 is a rear perspective view in an open position.

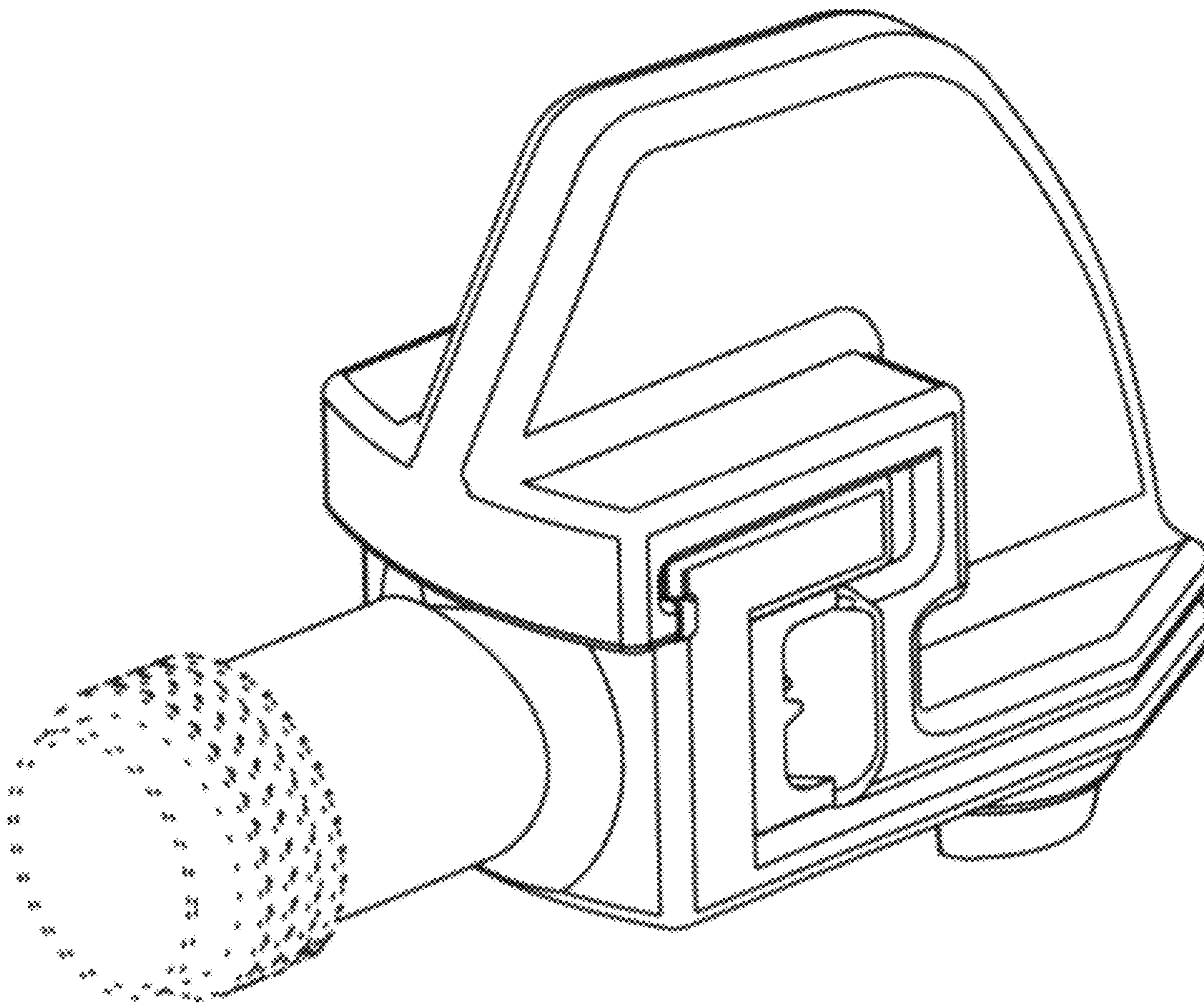
1.6 is a rear perspective view in another open position.

The broken lines in the figures illustrate portions of the electrical connector that form no part of the claim.

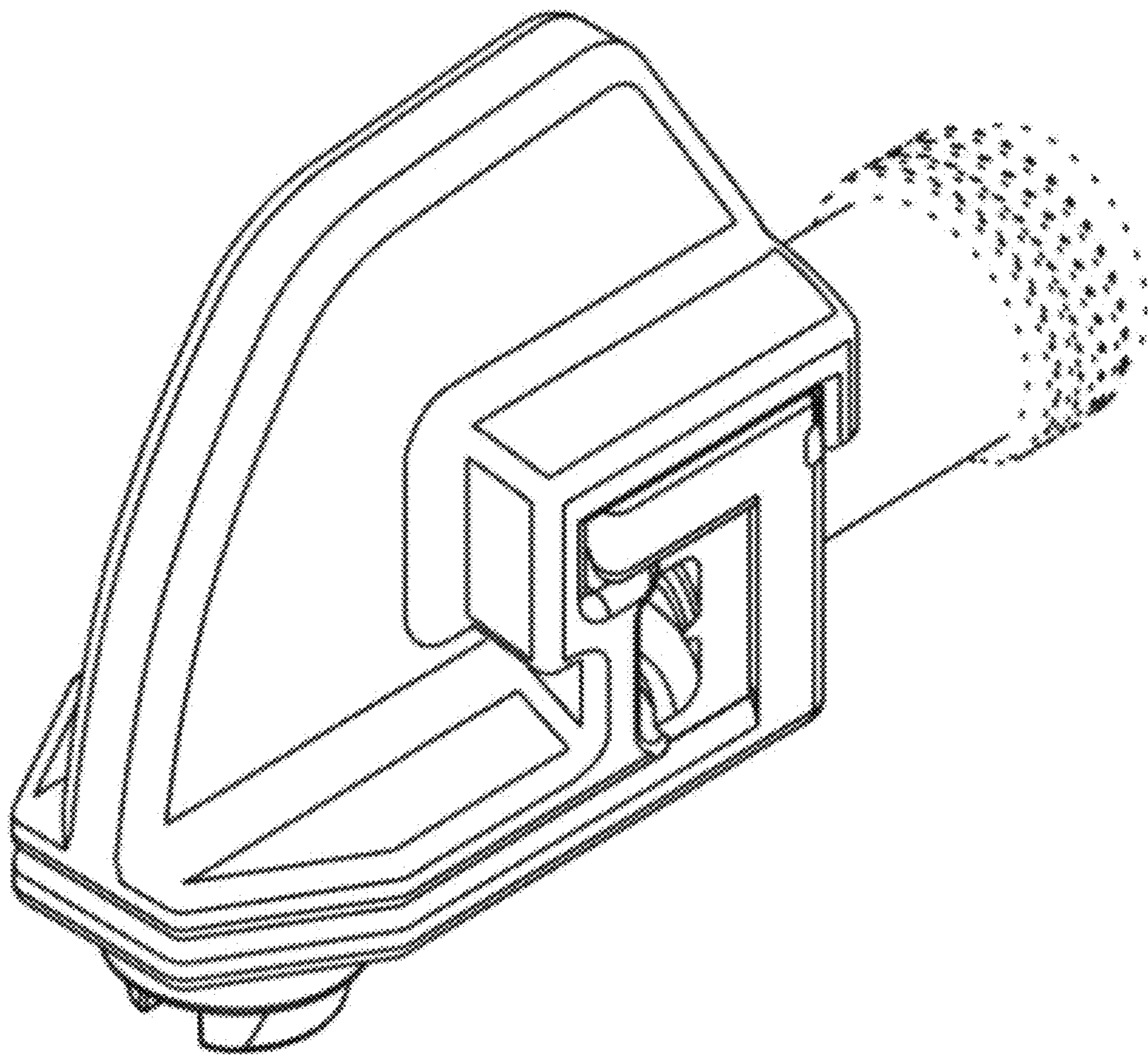
1 Claim, 6 Drawing Sheets



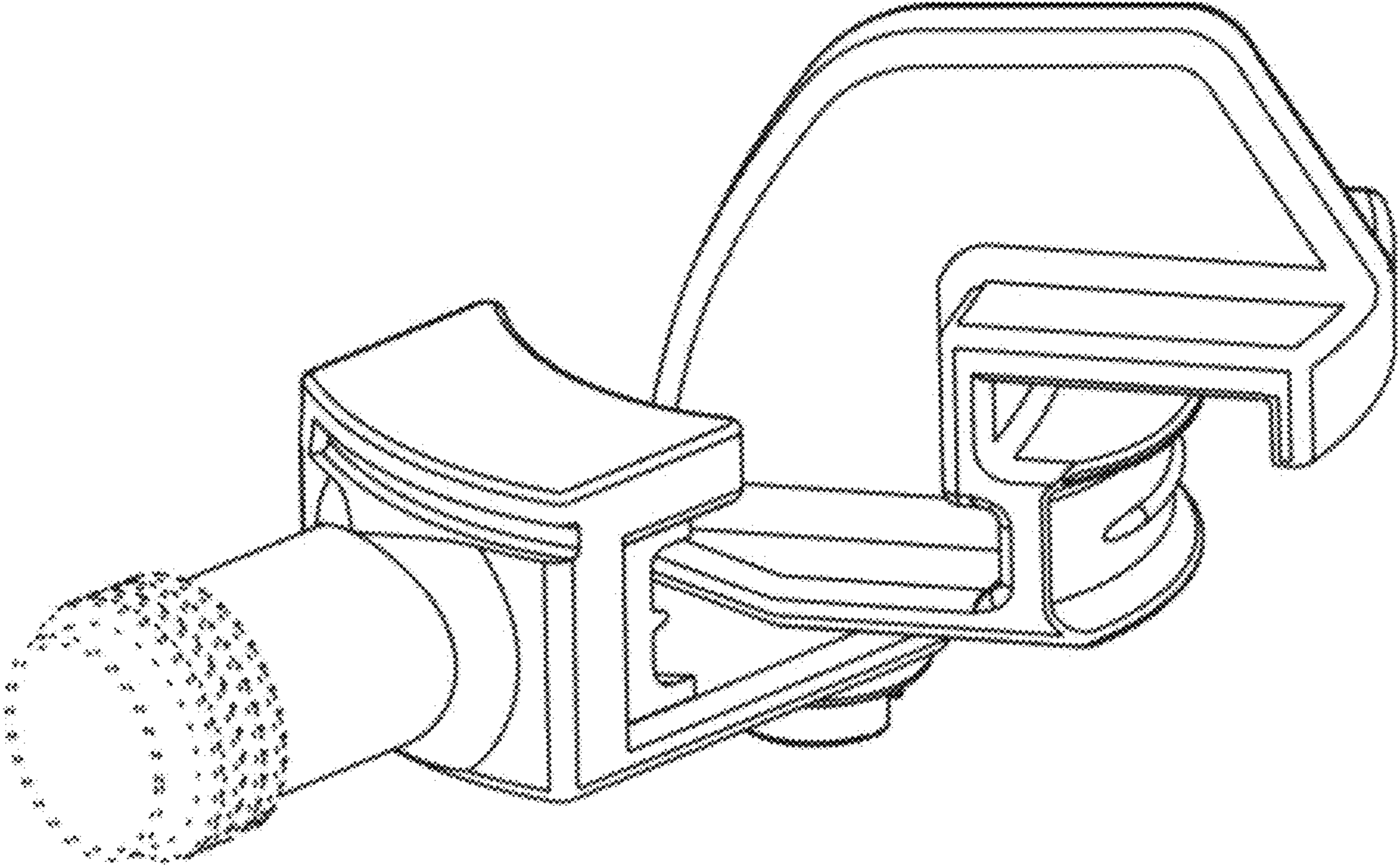
1.1



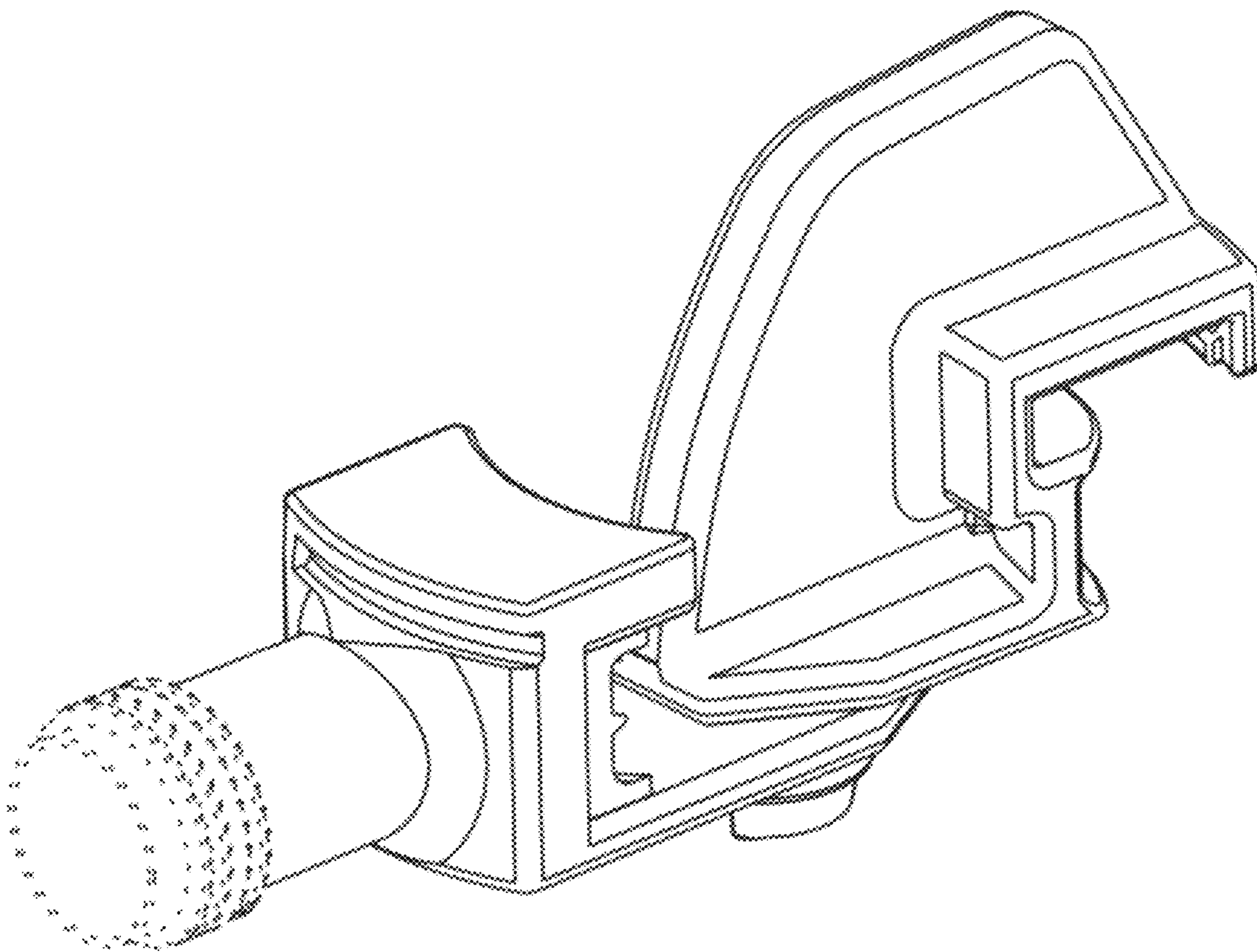
1.2



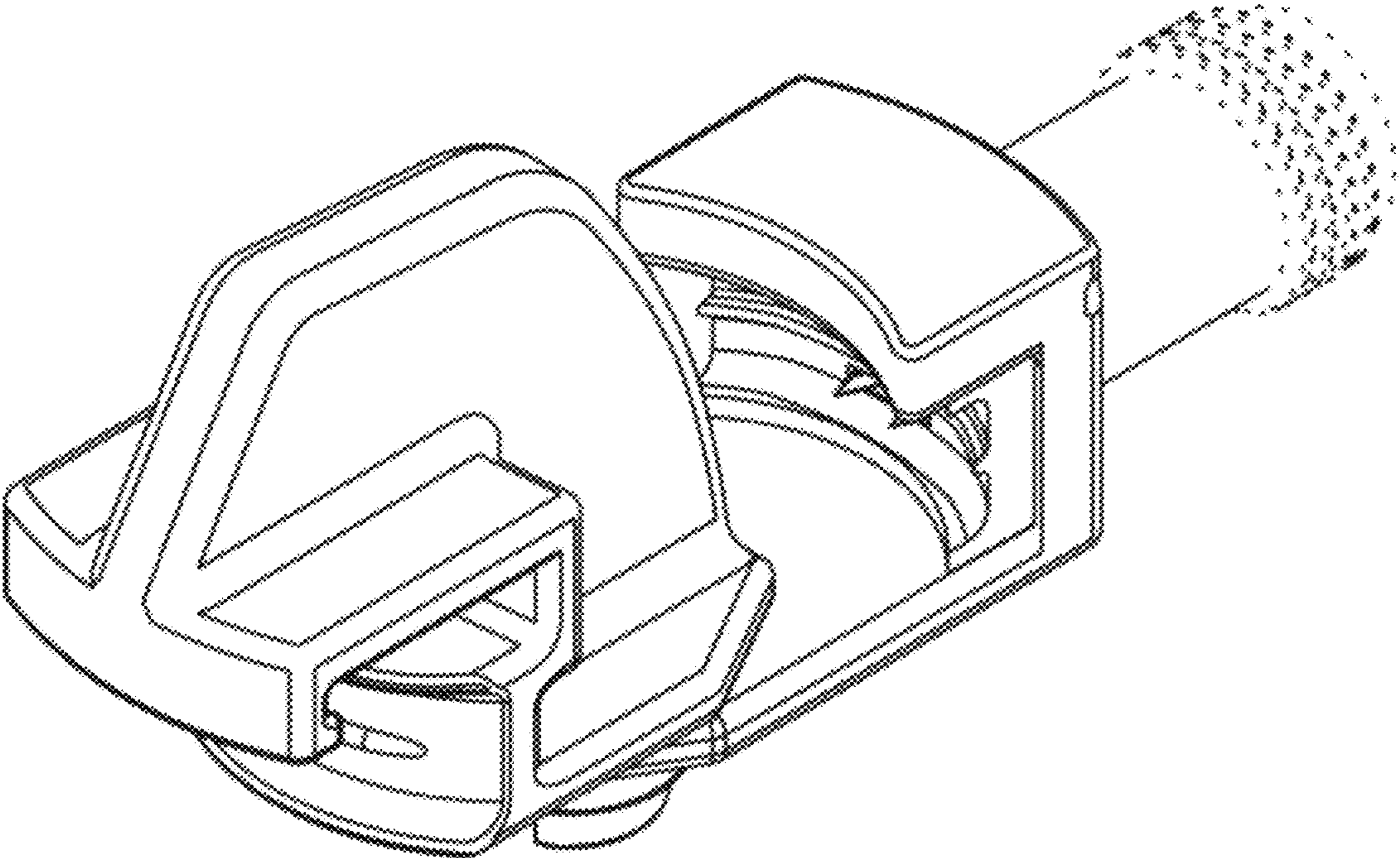
1.3



1.4



1.5



1.6

