



US00D846791S

(12) **United States Design Patent**
Liang

(10) **Patent No.:** **US D846,791 S**

(45) **Date of Patent:** **** Apr. 23, 2019**

(54) **SOLAR LIGHT**

D615,688 S *	5/2010	Chen	D26/63
D762,903 S *	8/2016	Tsai	D26/63
D764,694 S *	8/2016	Tsai	D26/63
D797,973 S *	9/2017	Rousseau	D26/63

(71) Applicant: **Qinghui Liang**, Fujian (CN)

(72) Inventor: **Qinghui Liang**, Fujian (CN)

* cited by examiner

(**) Term: **15 Years**

Primary Examiner — Brian N. Vinson

(21) Appl. No.: **29/629,354**

(57) **CLAIM**

(22) Filed: **Dec. 13, 2017**

The ornamental design for a solar light, as shown and described.

(51) **LOC (11) Cl.** **26-99**

(52) **U.S. Cl.**

DESCRIPTION

USPC **D26/113**; D26/63; D26/67

(58) **Field of Classification Search**

USPC D26/61, 63, 67, 68, 113, 118

CPC F21S 8/003; F21S 8/08; F21S 8/081; F21S

8/083; F21S 9/03; F21S 9/032; F21S

9/035; F21S 9/037; F21W 2131/105;

F21W 2131/109; F21W 2121/004; F21V

21/0824; F21V 21/30

See application file for complete search history.

FIG. 1 is a front elevational view of a solar light showing my new design;

FIG. 2 is a rear elevational view thereof;

FIG. 3 is a left side view thereof;

FIG. 4 is a right side view thereof;

FIG. 5 is a top plan view thereof;

FIG. 6 is a bottom plan view thereof;

FIG. 7 is a perspective view thereof;

FIG. 8 is a second perspective view thereof, used with a bottom attachment; and,

FIG. 9 is a third perspective view thereof, used with another bottom attachment.

The broken lines shown in Figs. form no part of the claimed design.

(56) **References Cited**

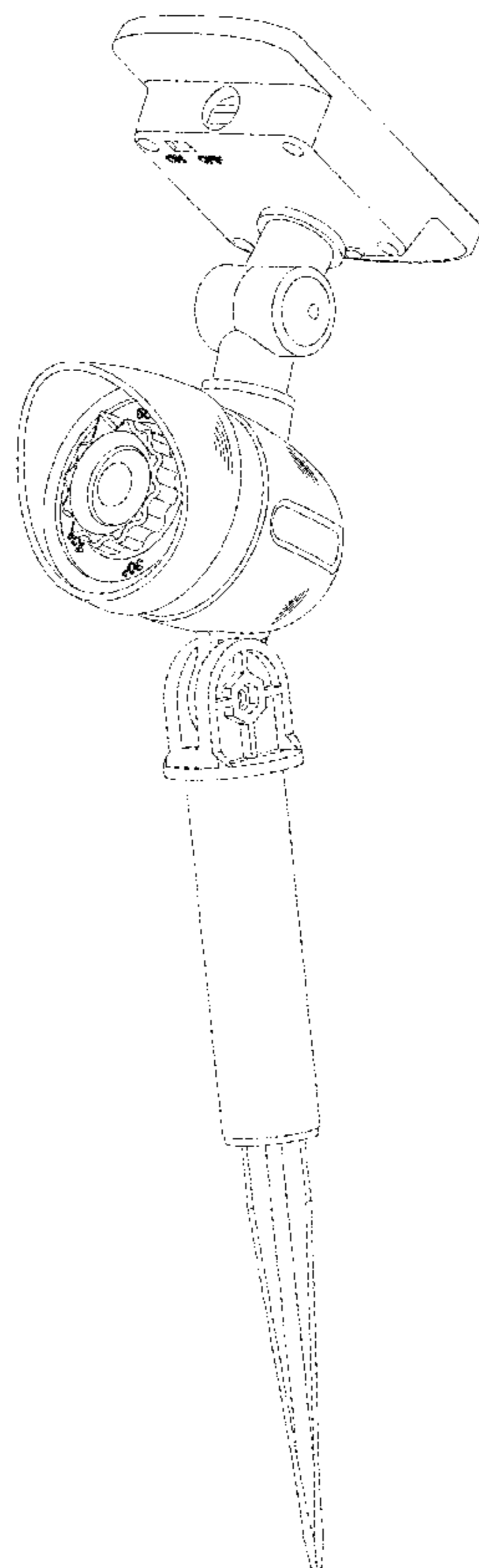
U.S. PATENT DOCUMENTS

5,055,984 A * 10/1991 Hung F21V 21/30

136/291

D533,298 S * 12/2006 Kuelbs D26/67

1 Claim, 9 Drawing Sheets



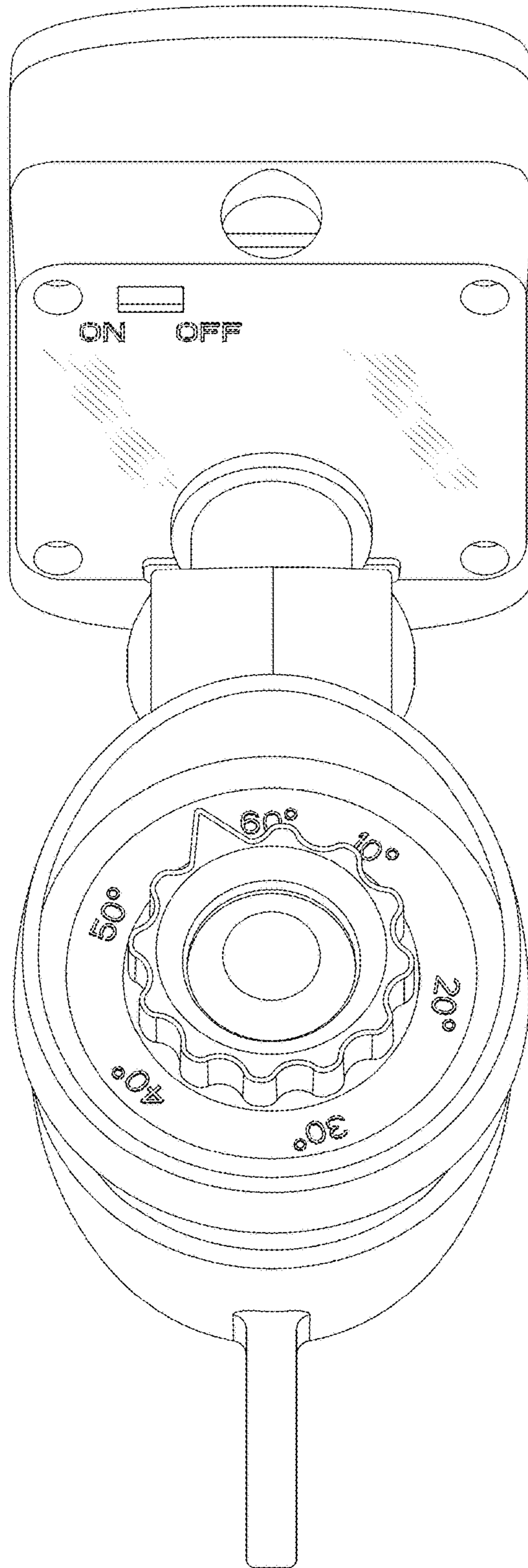


FIG. 1

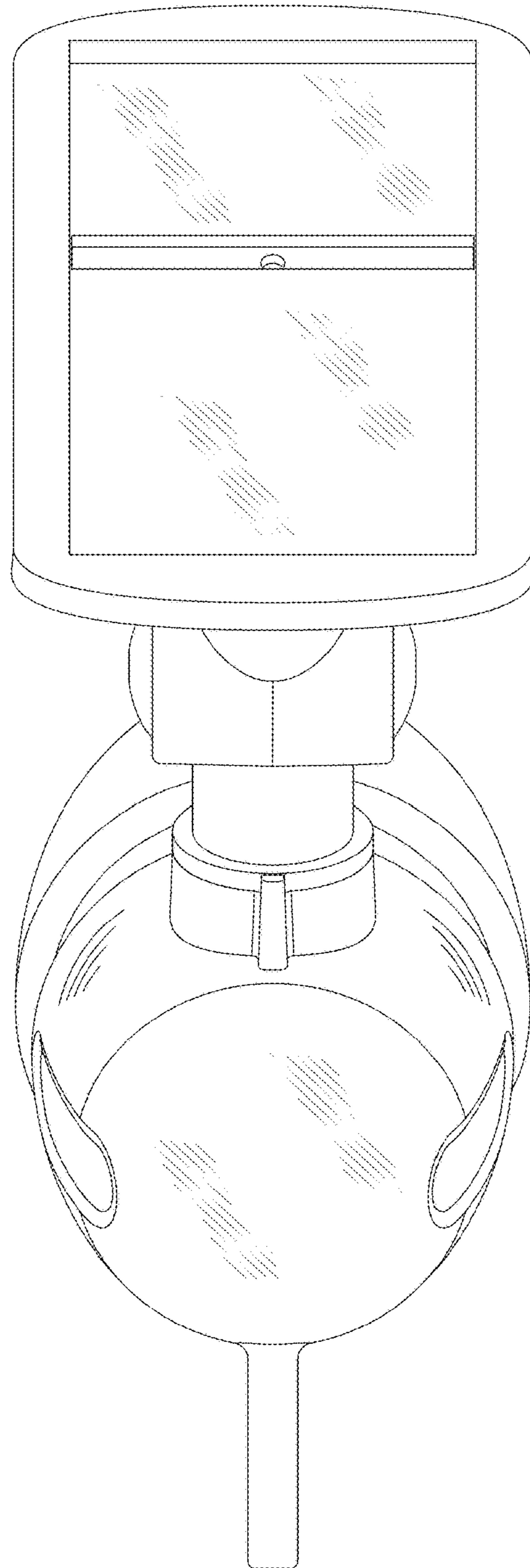


FIG. 2

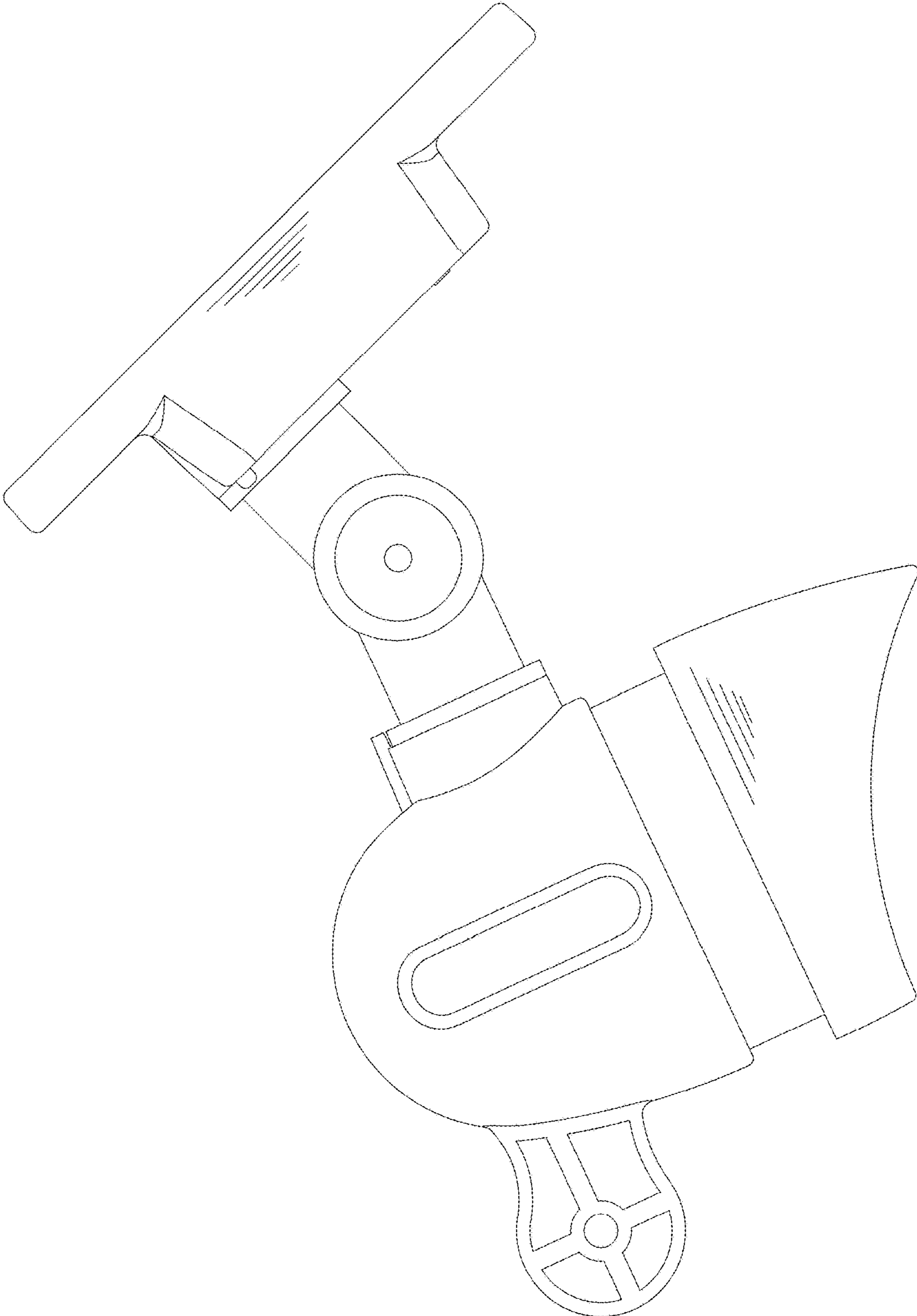


FIG. 3

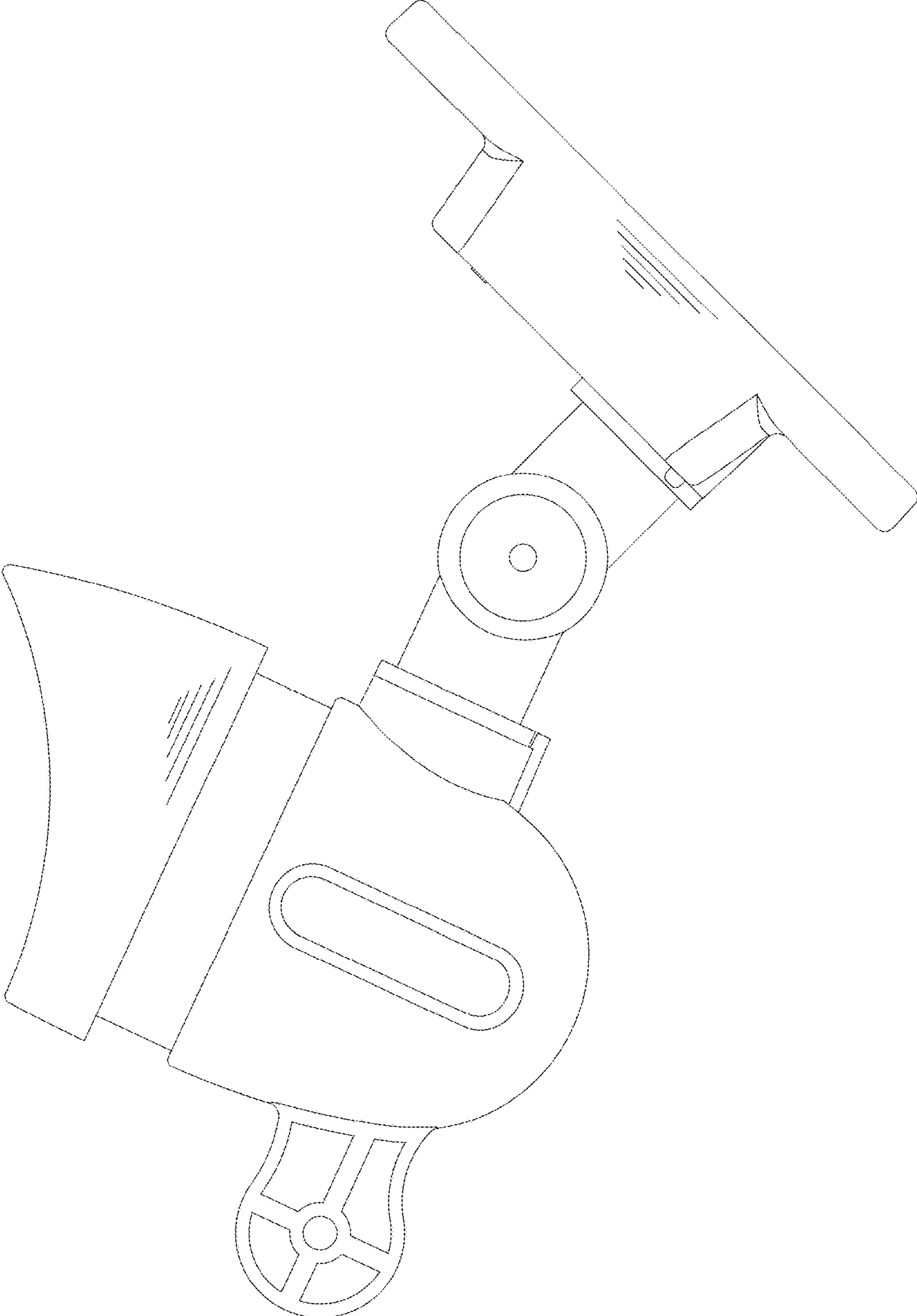


FIG. 4

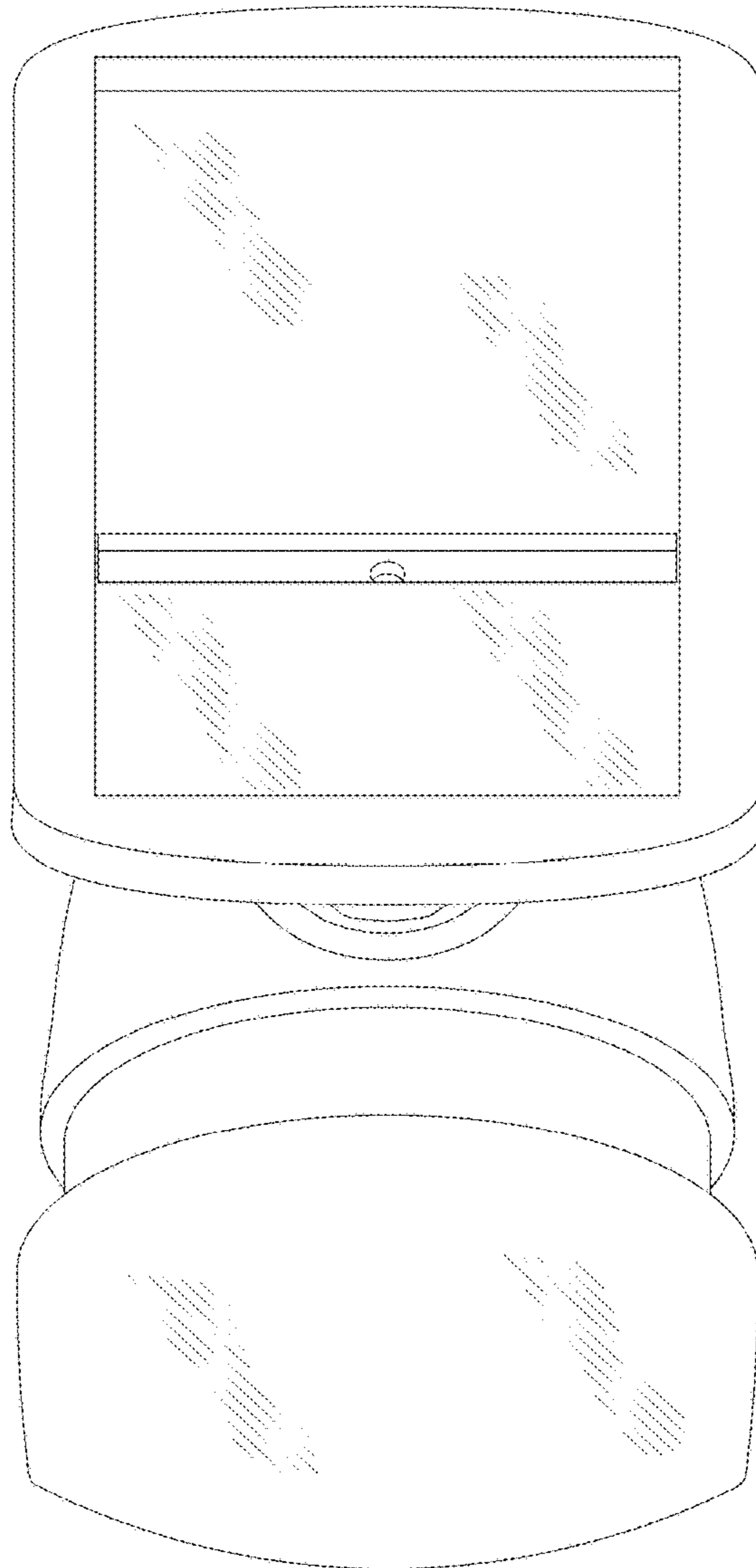


FIG. 5

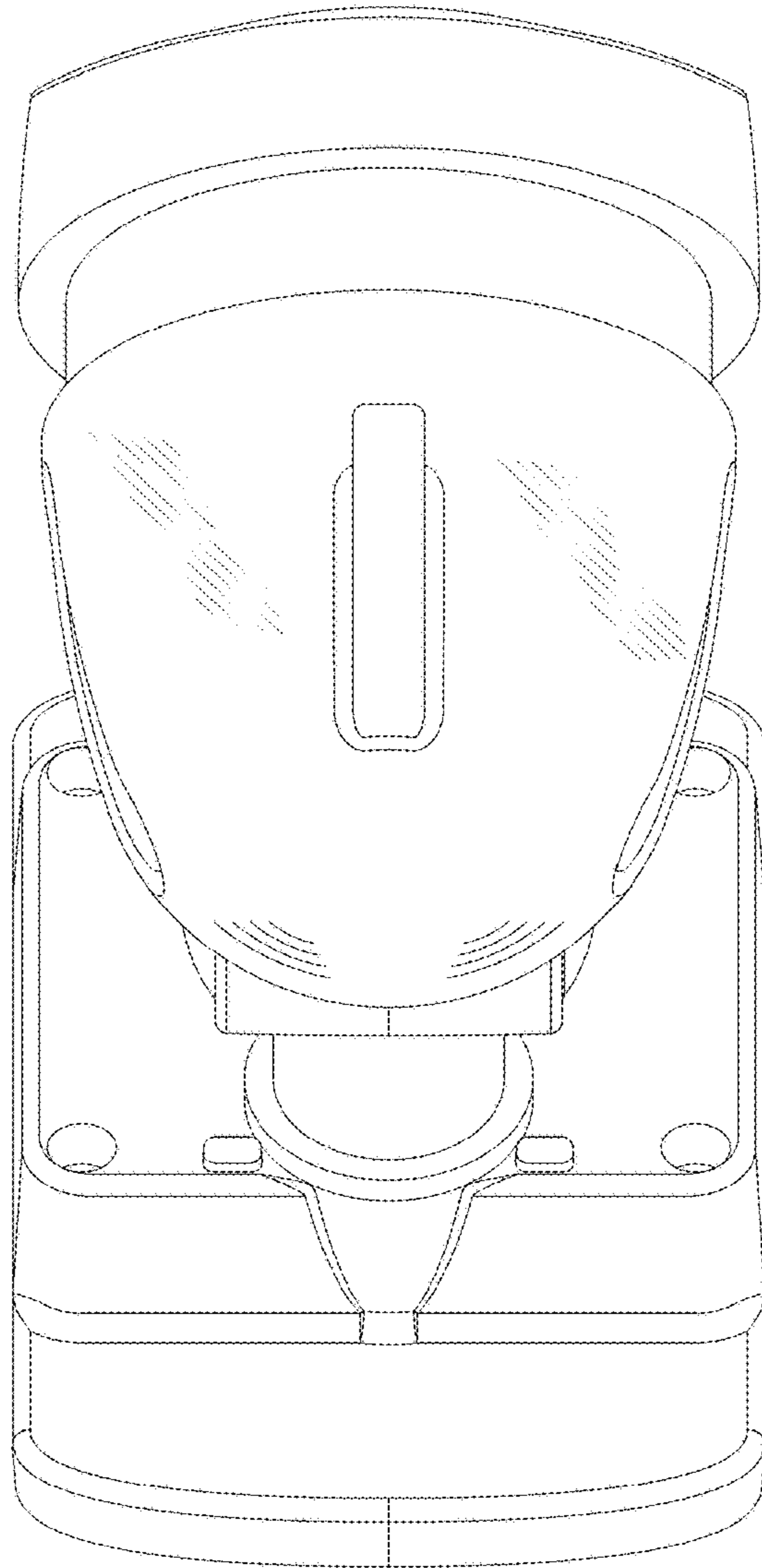


FIG. 6

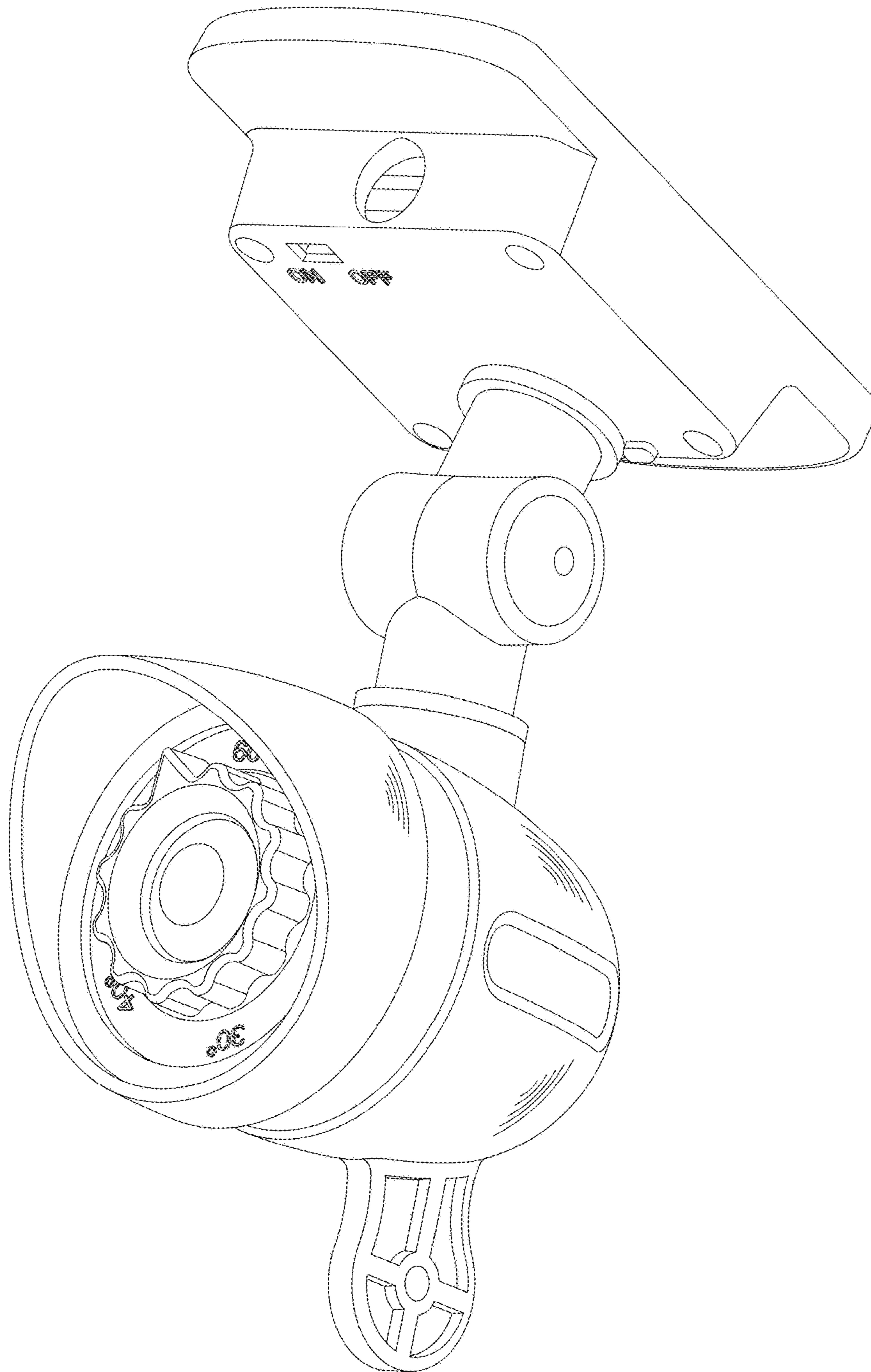


FIG. 7

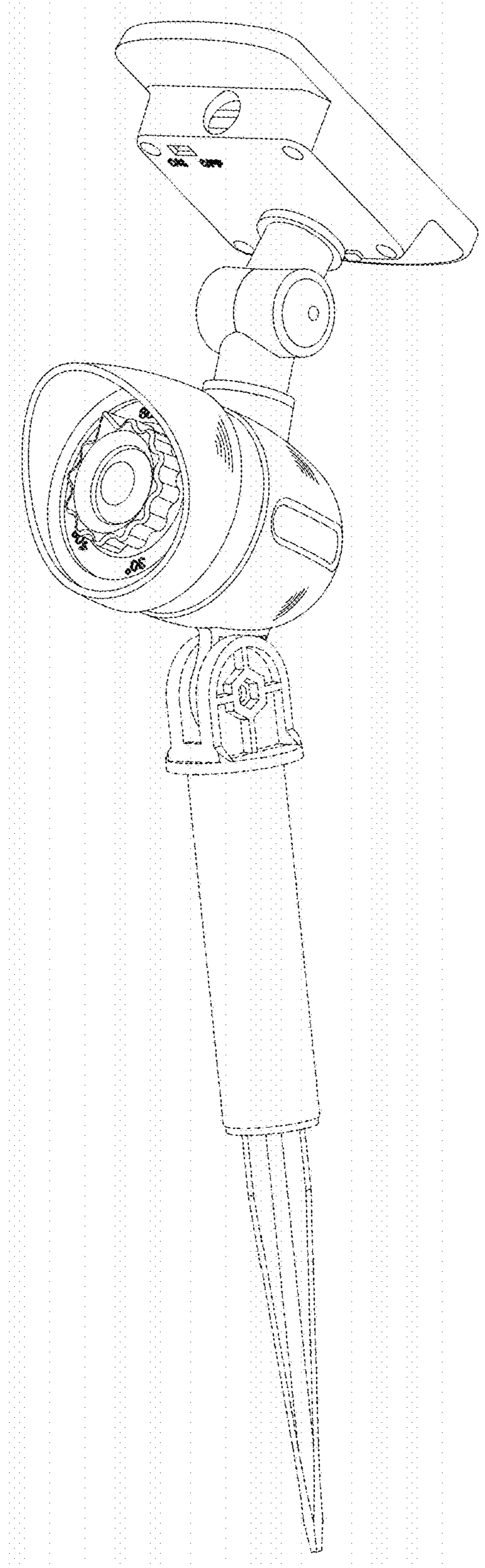


FIG. 8

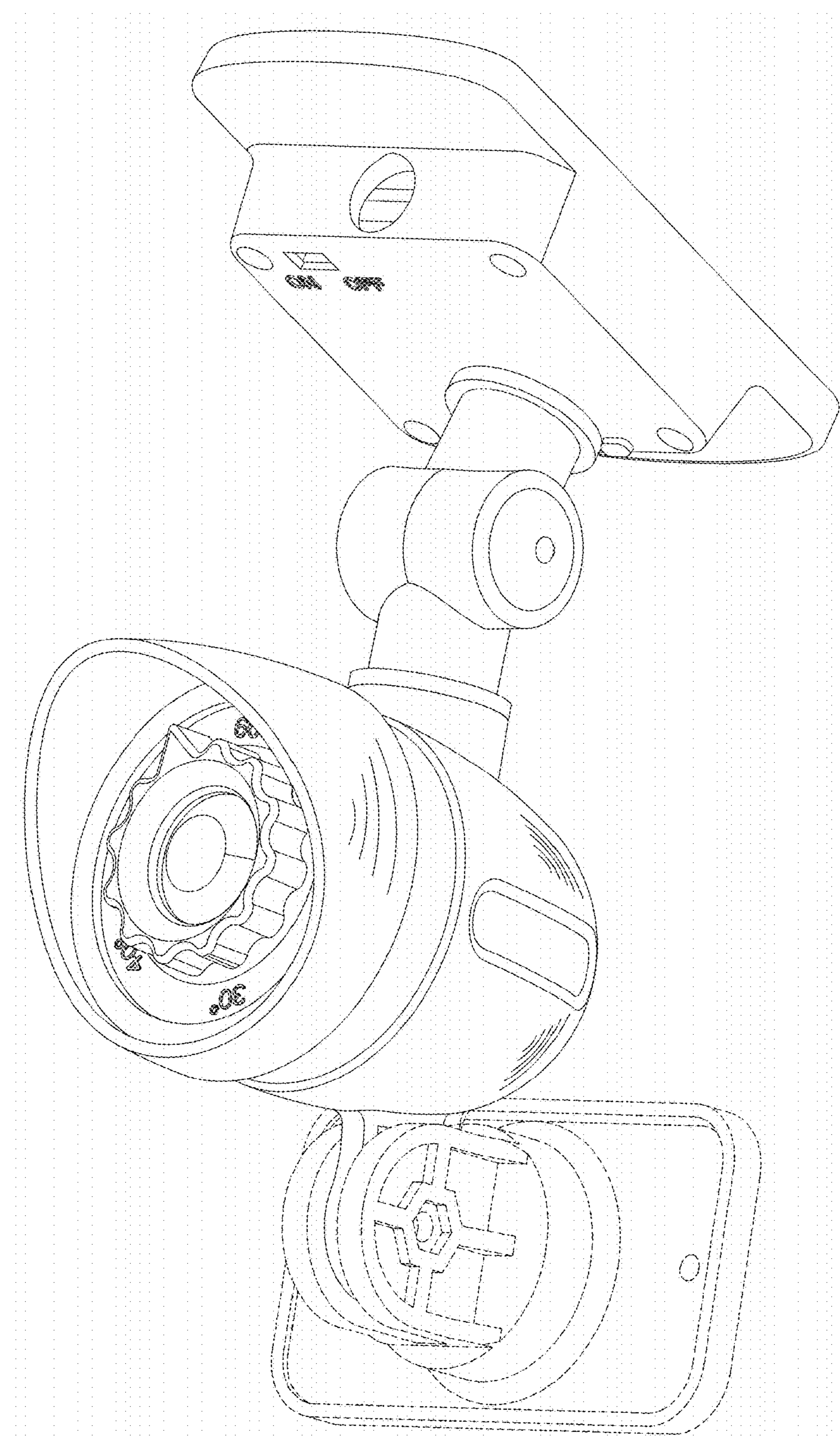


FIG. 9