

US00D846787S

(12) **United States Design Patent**  
**Lu et al.**

(10) **Patent No.:** **US D846,787 S**

(45) **Date of Patent:** **\*\* Apr. 23, 2019**

(54) **SHOP LIGHTS**

(71) Applicant: **Xiamen PVTECH Co., Ltd.**, Xiamen,  
Fujian (CN)

(72) Inventors: **Fuxing Lu**, Fujian (CN); **Ruicha Lai**,  
Fujian (CN)

(73) Assignee: **Xiamen PVTECH Co., Ltd.**, Xiamen,  
Fujian (CN)

(\*\*) Term: **15 Years**

(21) Appl. No.: **29/630,424**

(22) Filed: **Dec. 20, 2017**

(30) **Foreign Application Priority Data**

Sep. 30, 2017 (CN) ..... 2017 3 0481191

(51) **LOC (11) Cl.** ..... **26-04**

(52) **U.S. Cl.**  
USPC ..... **D26/76**

(58) **Field of Classification Search**  
USPC ..... D26/76, 78, 79, 80, 81, 82, 83, 85, 86,  
D26/88, 90, 93, 111, 113, 118, 119, 120,  
D26/121, 122, 138, 139, 140, 141, 142,  
D26/152

CPC ..... F21S 2/00; F21S 4/00; F21S 4/003; F21S  
4/005; F21S 4/006; F21S 4/007; F21S  
4/008; F21S 6/00; F21S 8/00; F21S  
8/024; F21S 8/026; F21S 8/031; F21S  
8/033; F21S 8/035-8/037; F21S 8/04;  
F21S 8/043; F21S 8/063

See application file for complete search history.

(56) **References Cited**

**U.S. PATENT DOCUMENTS**

2,474,308 A \* 6/1949 Franck ..... F21S 8/04  
362/224  
D348,947 S \* 7/1994 Holcomb ..... D26/76

D452,579 S \* 12/2001 Shemitz ..... D26/76  
D476,753 S \* 7/2003 Chelf ..... D26/3  
D521,675 S \* 5/2006 Chen ..... D26/76  
D523,165 S \* 6/2006 Schultz ..... D26/72  
D603,078 S \* 10/2009 Noh ..... D26/76  
D603,079 S \* 10/2009 Toot ..... D26/118  
D608,487 S \* 1/2010 Pei ..... D26/76  
D626,267 S \* 10/2010 Ng ..... D26/76  
D663,065 S \* 7/2012 Beghelli ..... D26/76  
D695,443 S \* 12/2013 Kaule ..... D26/76  
D746,506 S \* 12/2015 Grasser ..... D26/90  
D785,820 S \* 5/2017 Gao ..... D26/2  
D808,059 S \* 1/2018 Li ..... D26/76  
D808,060 S \* 1/2018 Wouters ..... D26/78  
D808,061 S \* 1/2018 Wouters ..... D26/78  
2006/0146531 A1 \* 7/2006 Reo ..... F21V 5/008  
362/244

\* cited by examiner

*Primary Examiner* — Natasha Vujcic

(74) *Attorney, Agent, or Firm* — Winston Hsu

(57) **CLAIM**

The ornamental design for a shop lights, as shown and described.

**DESCRIPTION**

FIG. 1 is a perspective view of a shop lights showing my new design;

FIG. 2 is a front view thereof;

FIG. 3 is a rear view thereof;

FIG. 4 is a left side view thereof;

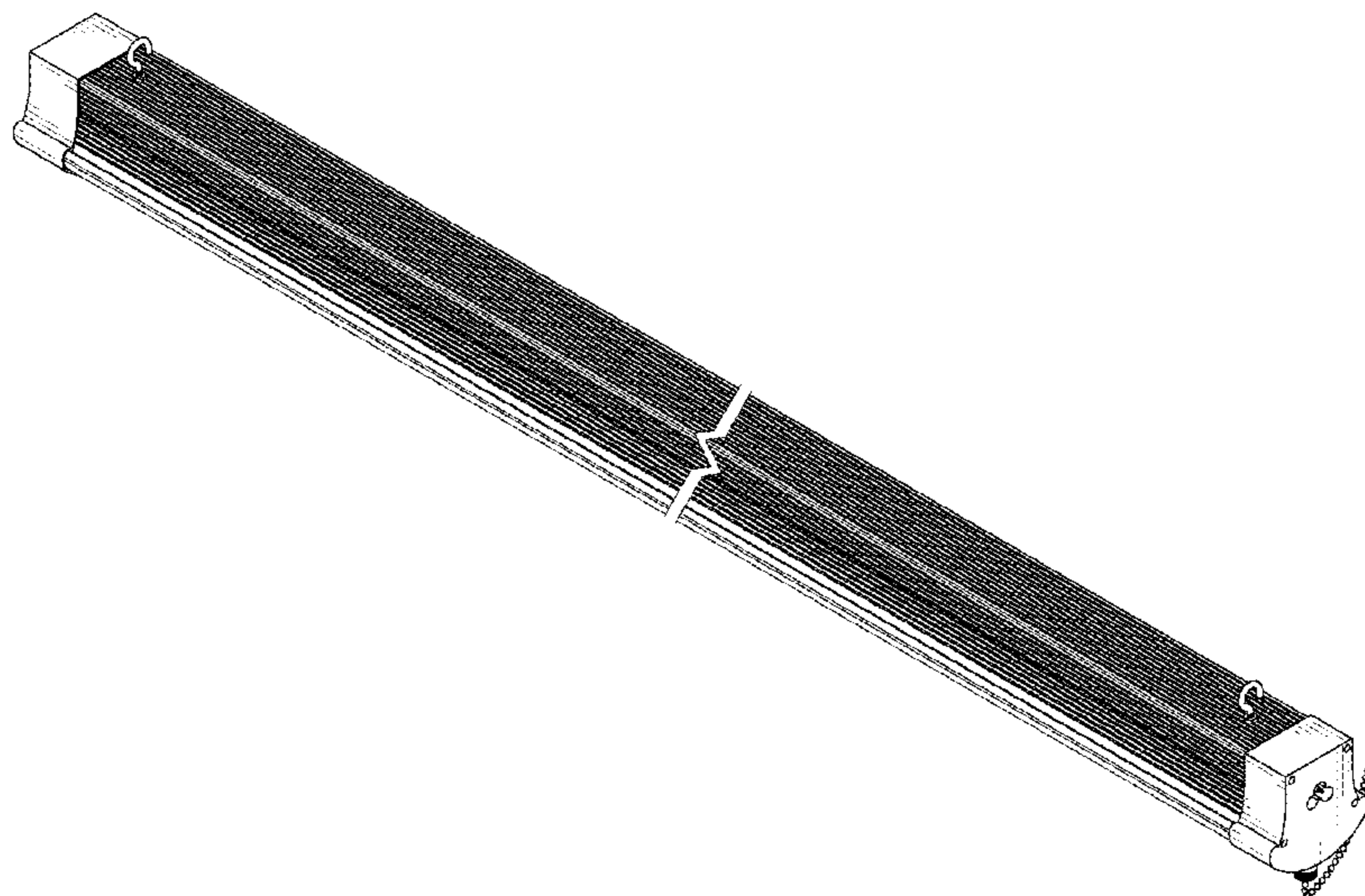
FIG. 5 is a right side view thereof;

FIG. 6 is a top view thereof; and,

FIG. 7 is a bottom view thereof.

The break lines in the drawings indicate that the appearance of any portion of the shop lights between the break lines forms no part of the claimed design.

**1 Claim, 7 Drawing Sheets**



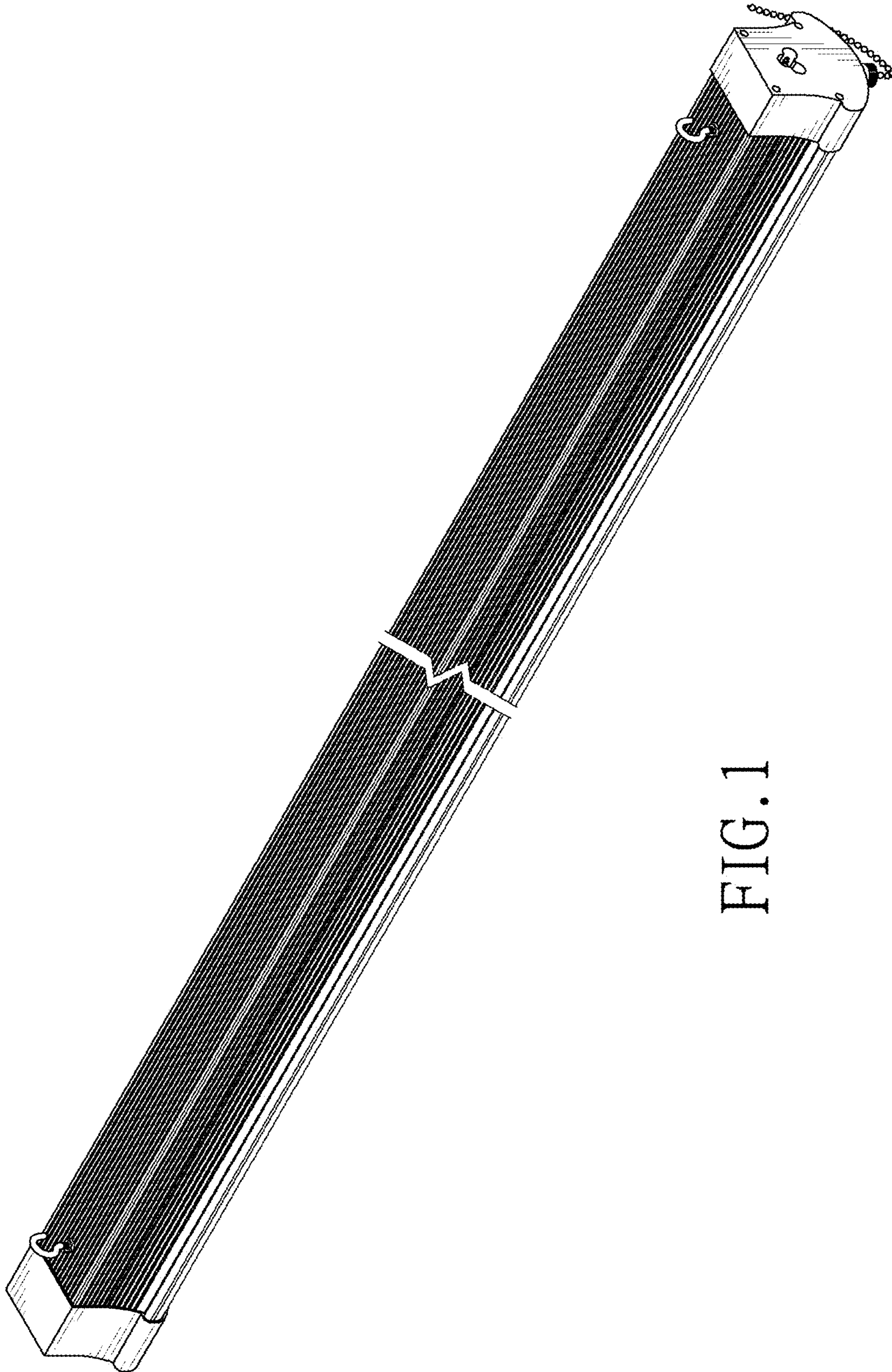


FIG. 1

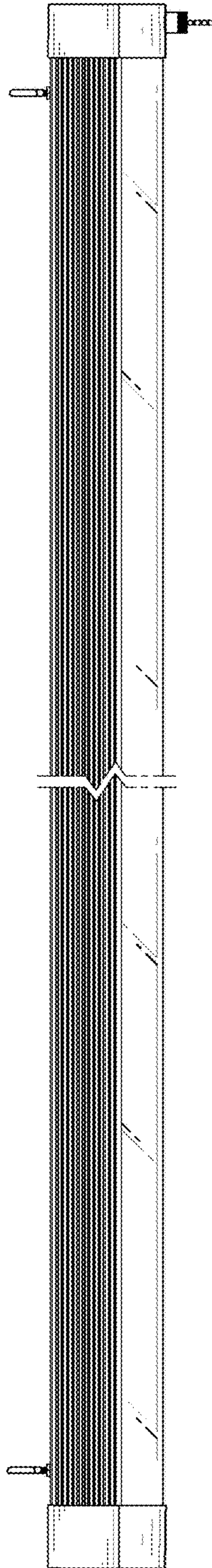


FIG. 2

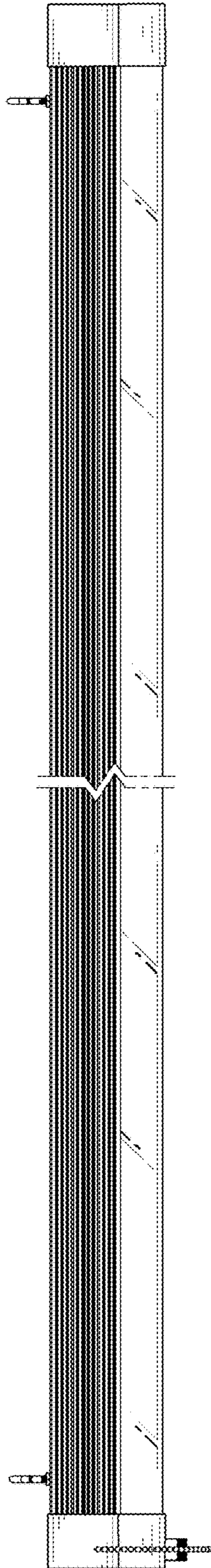


FIG. 3

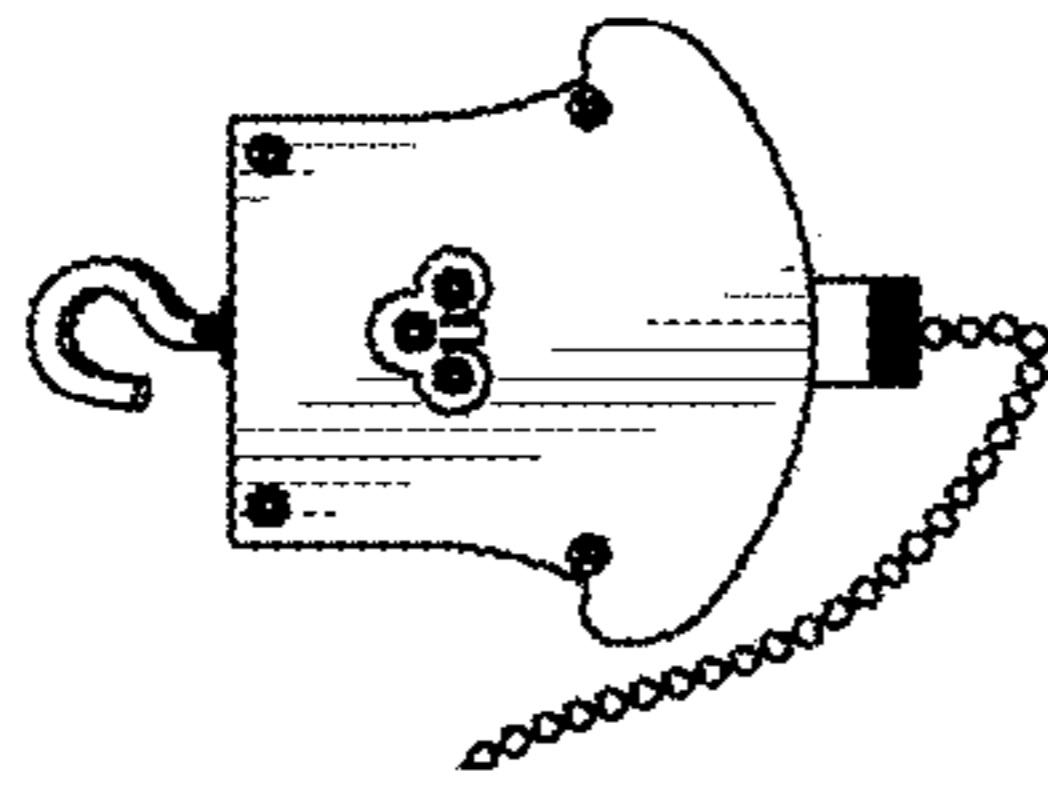


FIG. 4

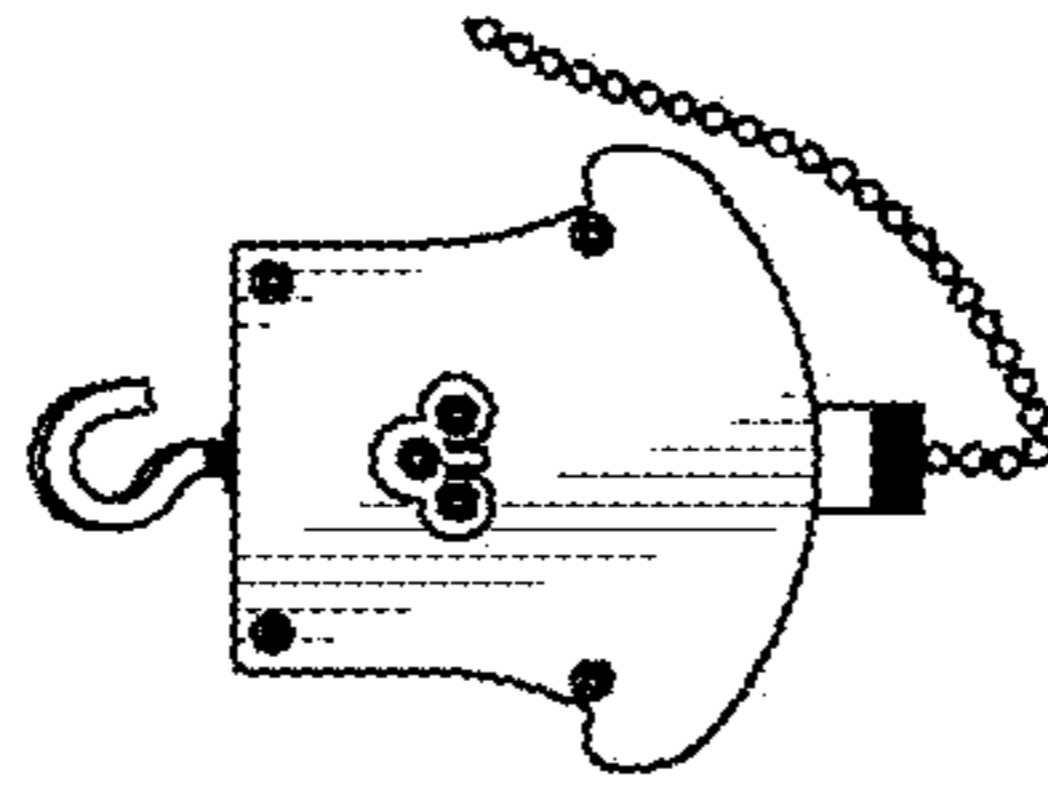


FIG. 5

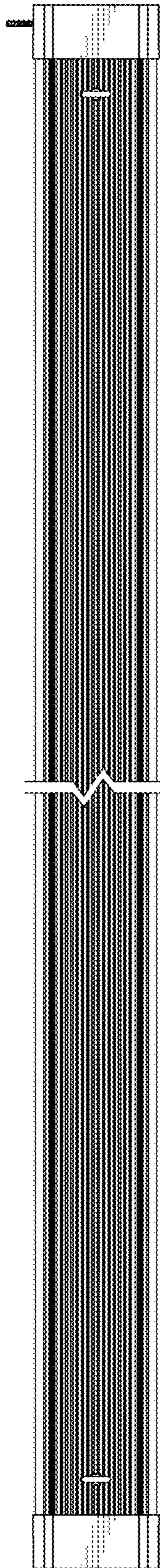


FIG. 6

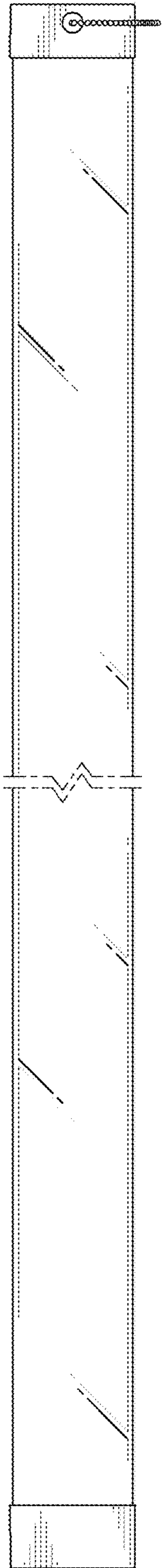


FIG. 7