



US00D846785S

(12) **United States Design Patent**
Luo et al.

(10) **Patent No.:** **US D846,785 S**
(45) **Date of Patent:** **** Apr. 23, 2019**

(54) **LUMINAIRE**
(71) Applicant: **PHILIPS LIGHTING HOLDING B.V.**, Eindhoven (NL)
(72) Inventors: **Linda Luo**, Shanghai (CN); **Qin Li**, Shanghai (CN); **Zhen Yi Zheng**, Shanghai (CN); **Chen Min**, Shanghai (CN)
(73) Assignee: **SIGNIFY HOLDING B.V.**, Eindhoven (NL)
(**) Term: **15 Years**

(21) Appl. No.: **35/502,403**
(22) Filed: **Jan. 23, 2017**

(80) **Hague Agreement Data**
Int. Filing Date: **Jan. 23, 2017**
Int. Reg. No.: **DM/094450**
Int. Reg. Date: **Jan. 23, 2017**
Int. Reg. Pub. Date: **Feb. 3, 2017**

(51) **LOC (11) Cl.** **26-05**
(52) **U.S. Cl.**
USPC **D26/74**

(58) **Field of Classification Search**
USPC D26/24, 63, 67-70, 93, 104, 105, 110, D26/112, 118
CPC F21S 8/02; F21S 8/026; F21V 7/06; F21V 21/044; F21V 21/047; F21V 29/2212; F21V 29/2225; F21V 29/2256; F21V 29/225; F21V 29/2262; F21V 29/2268; F21Y 2111/002
See application file for complete search history.

(56) **References Cited**
U.S. PATENT DOCUMENTS

D307,059 S * 4/1990 Szymanek D26/74
D330,268 S * 10/1992 Jaksich D26/74

D411,641 S * 6/1999 Ranieri D26/118
D413,402 S * 8/1999 Ranieri D26/74
D477,891 S * 7/2003 Fritze D26/74
D496,121 S * 9/2004 Santoro D26/74
D556,358 S * 11/2007 Santoro D26/74
D591,893 S * 5/2009 Waldmann D26/74
D595,006 S * 6/2009 Santoro D26/120
D597,241 S * 7/2009 Fabbri D26/74
D602,188 S * 10/2009 Fabbri D26/120
D611,642 S * 3/2010 Sieczkowski D26/74
D614,792 S * 4/2010 Fabbri D26/120
D631,594 S * 1/2011 Irvine D26/74
D646,012 S * 9/2011 Irvine D26/74
8,038,321 B1 * 10/2011 Franck F21S 8/026
362/249.02
8,197,086 B2 * 6/2012 Watanabe F21S 8/04
362/218
D664,699 S * 7/2012 Nakahira D26/74
D667,156 S * 9/2012 Pickard D26/74
D667,983 S * 9/2012 Pickard D26/74
D670,849 S * 11/2012 Lay D26/74
D671,253 S * 11/2012 Kim D26/74

(Continued)

Primary Examiner — Darlington Ly

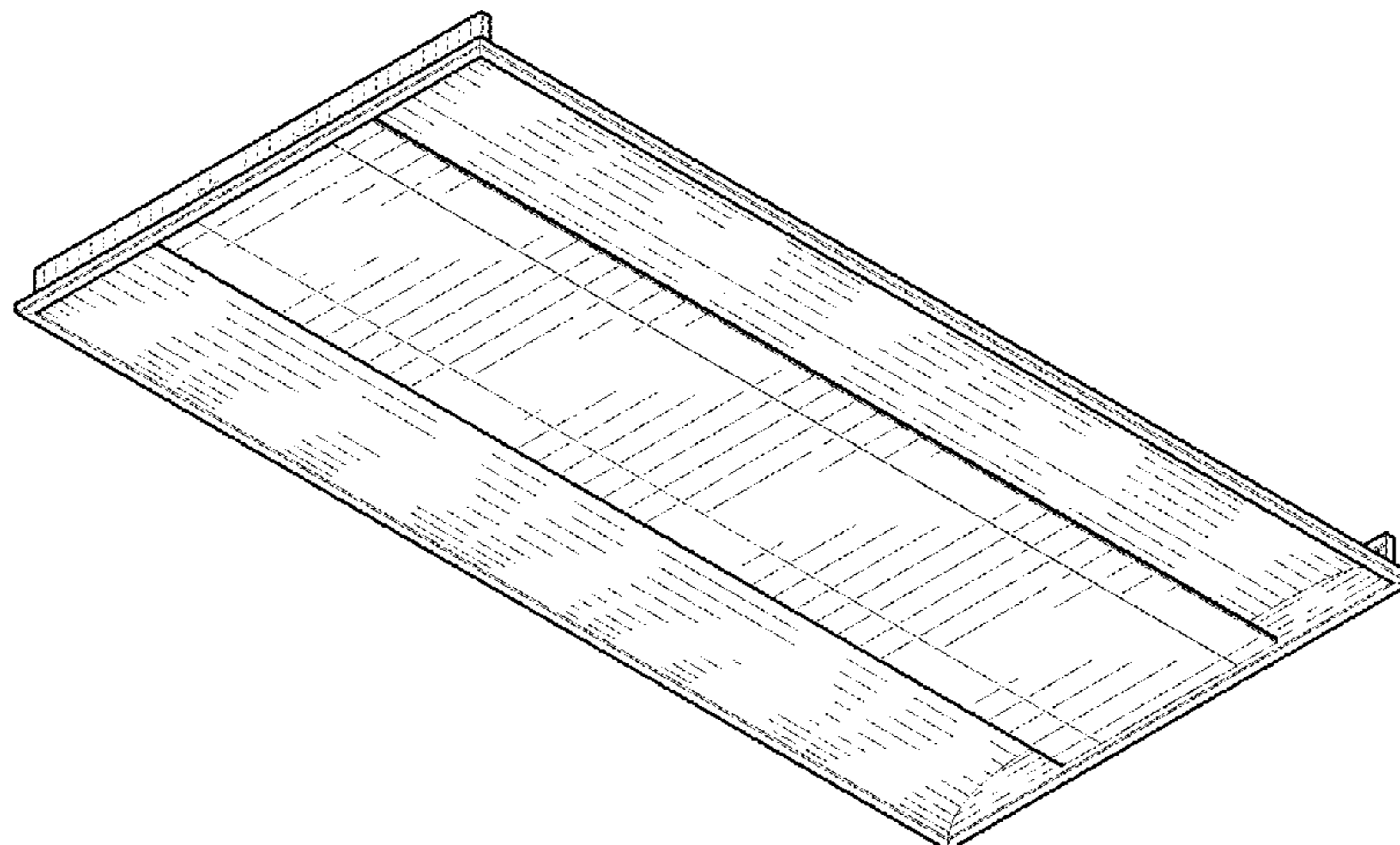
(57) **CLAIM**

The ornamental design for a luminaire, as shown and described.

DESCRIPTION

1. Luminaire
1.1 is a bottom perspective view of a luminaire showing our new design;
1.2 is a front elevation view thereof;
1.3 is a rear elevation view thereof;
1.4 is a cross-sectional view thereof, taken along cut line A-A in **1.6**;
1.5 is a right side elevation view thereof;
1.6 is a bottom plan view thereof; and
1.7 is a top plan view thereof.
The broken lines in the reproductions illustrate portions of the luminaire that forms no part of the claimed design.

1 Claim, 3 Drawing Sheets



(56)

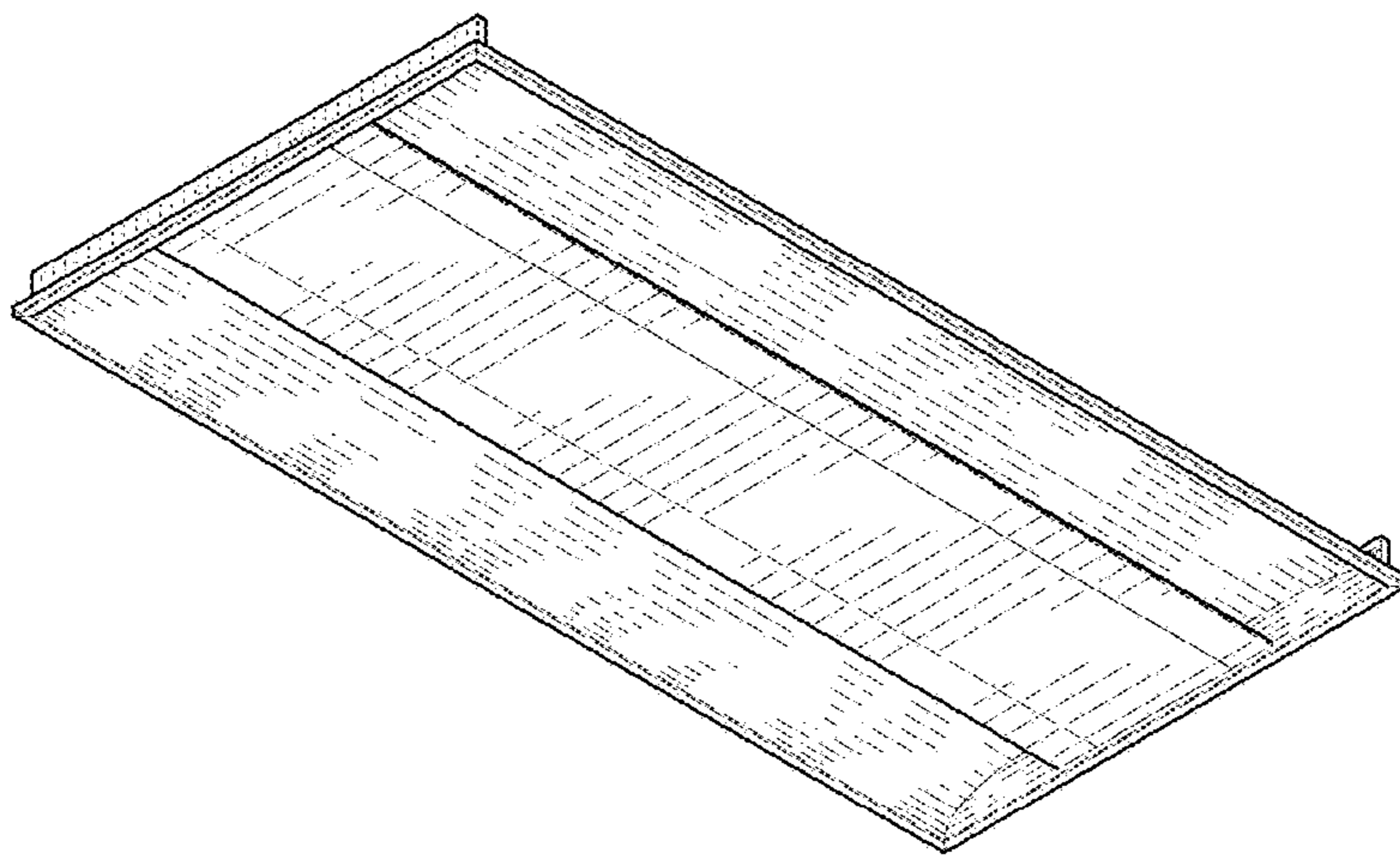
References Cited

U.S. PATENT DOCUMENTS

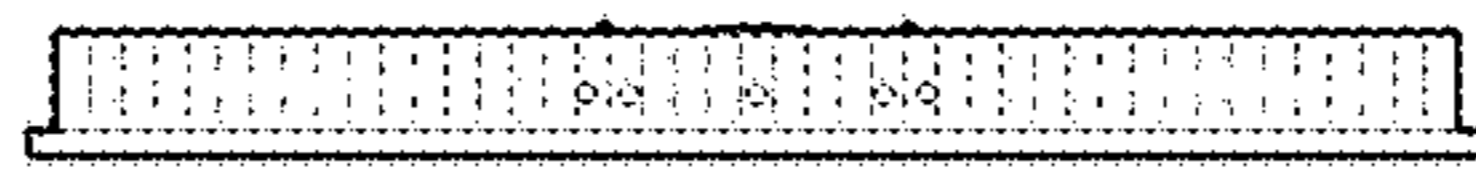
D671,667 S * 11/2012 Kim D26/74
 D672,079 S * 12/2012 Kong D26/74
 D673,711 S * 1/2013 Pickard D26/74
 D675,362 S * 1/2013 Apetauer D26/74
 D675,364 S * 1/2013 Watt D26/74
 D677,820 S * 3/2013 Mayfield, III D26/74
 D678,586 S * 3/2013 Mayfield, III D26/74
 D679,848 S * 4/2013 Pickard D26/74
 D680,254 S * 4/2013 Mayfield, III D26/74
 D682,455 S * 5/2013 Apetauer D26/74
 D685,122 S * 6/2013 Kim D26/74
 D685,942 S * 7/2013 Duquette D26/74
 D685,943 S * 7/2013 Duquette D26/74
 D690,869 S * 10/2013 Katz D26/74
 D696,449 S * 12/2013 Boyer D26/74
 D698,969 S * 2/2014 Johns D26/74
 D698,973 S * 2/2014 Santoro D26/74

D701,341 S * 3/2014 Mayfield, III D26/74
 D701,988 S * 4/2014 Clements D26/74
 D707,873 S * 6/2014 Boyer D26/74
 D712,582 S * 9/2014 Yanping D26/74
 D714,988 S * 10/2014 Park D26/74
 D720,488 S * 12/2014 Toyohisa D26/74
 9,052,075 B2 * 6/2015 Demuynck F21S 9/022
 D747,528 S * 1/2016 Katz D26/74
 D747,529 S * 1/2016 Yoon D26/74
 D768,327 S * 10/2016 Guzzini D26/74
 D786,471 S * 5/2017 Snell D26/74
 D788,968 S * 6/2017 Salomon D26/74
 D796,103 S * 8/2017 Blankenship D26/74
 D797,978 S * 9/2017 Blankenship D26/74
 D807,557 S * 1/2018 Stromborg D26/74
 2012/0134146 A1 * 5/2012 Smith F21V 7/005
 362/225
 2015/0016100 A1 * 1/2015 Ishii F21S 8/043
 362/223

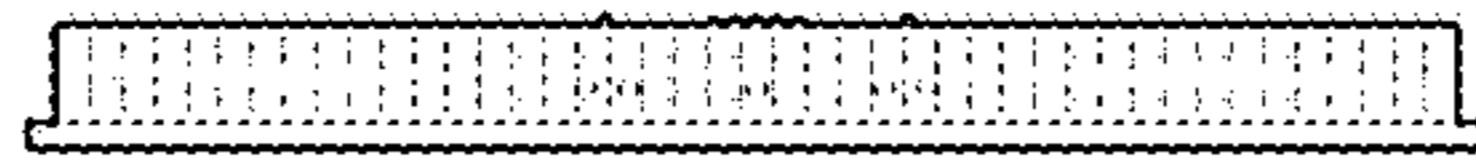
* cited by examiner



1.1



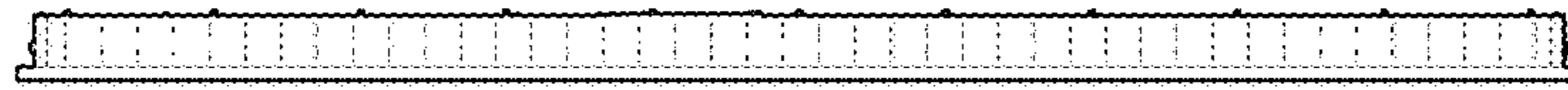
1.2



1.3

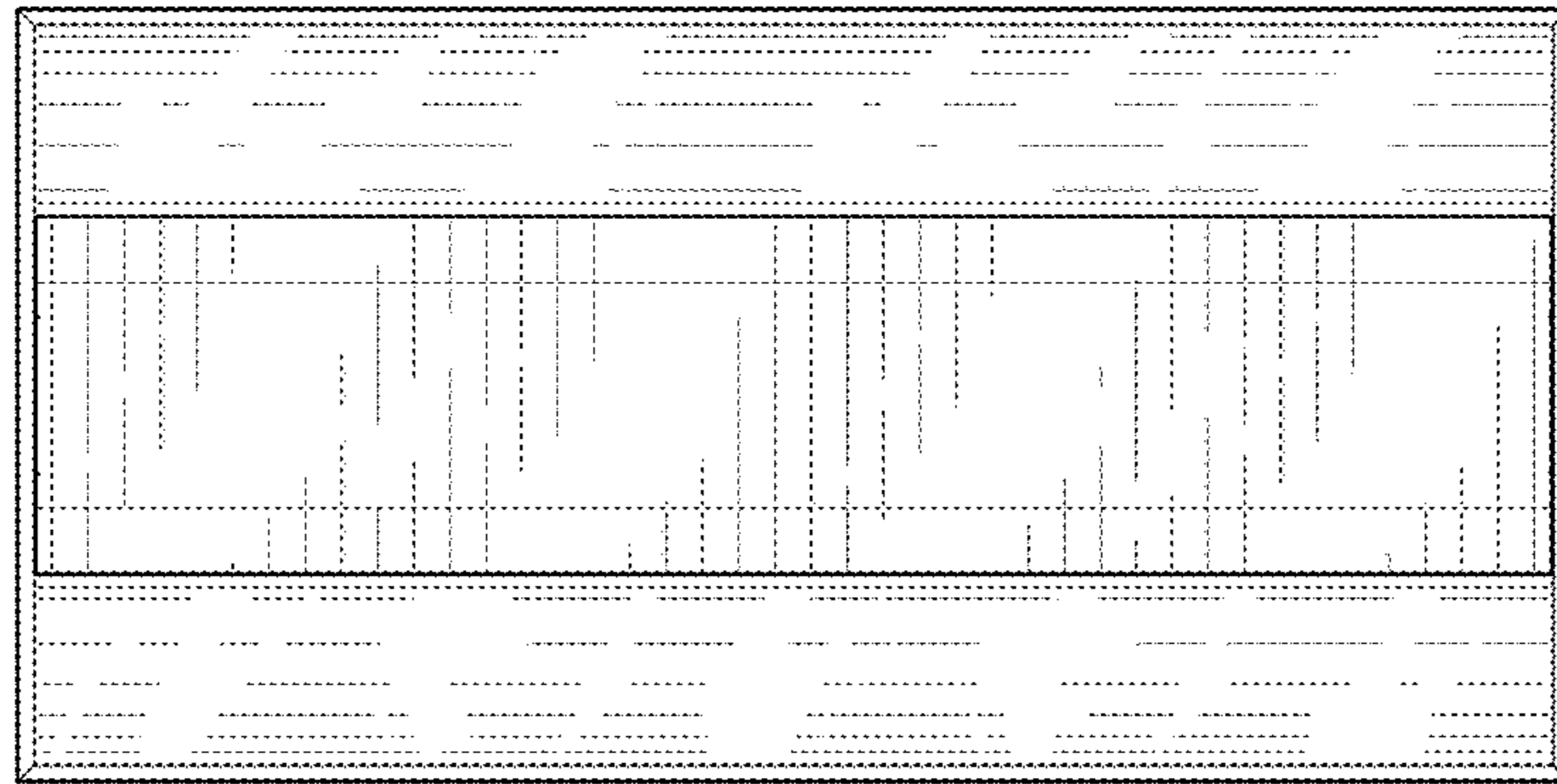


1.4



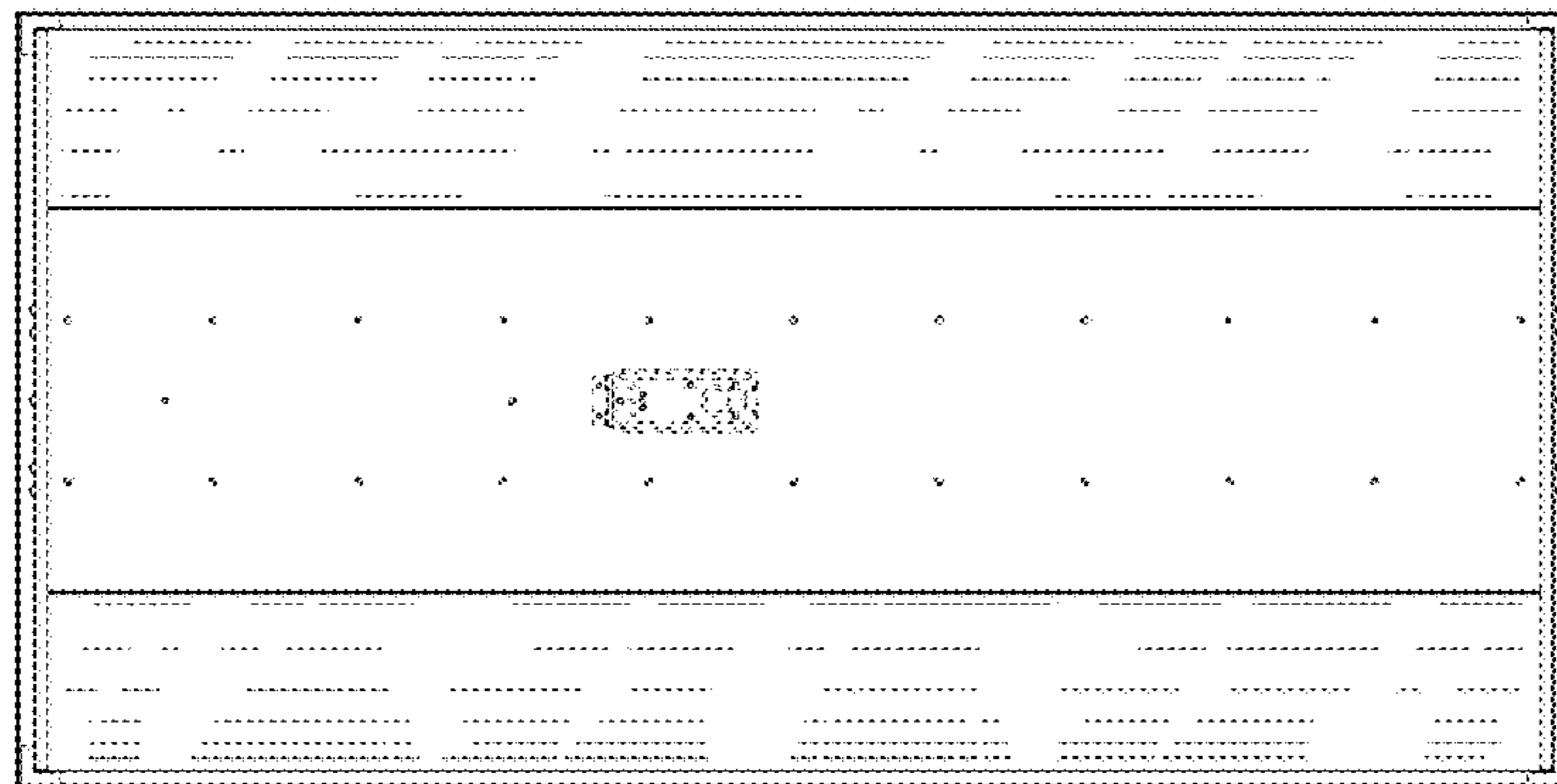
1.5

A ←



A ←

1.6



1.7